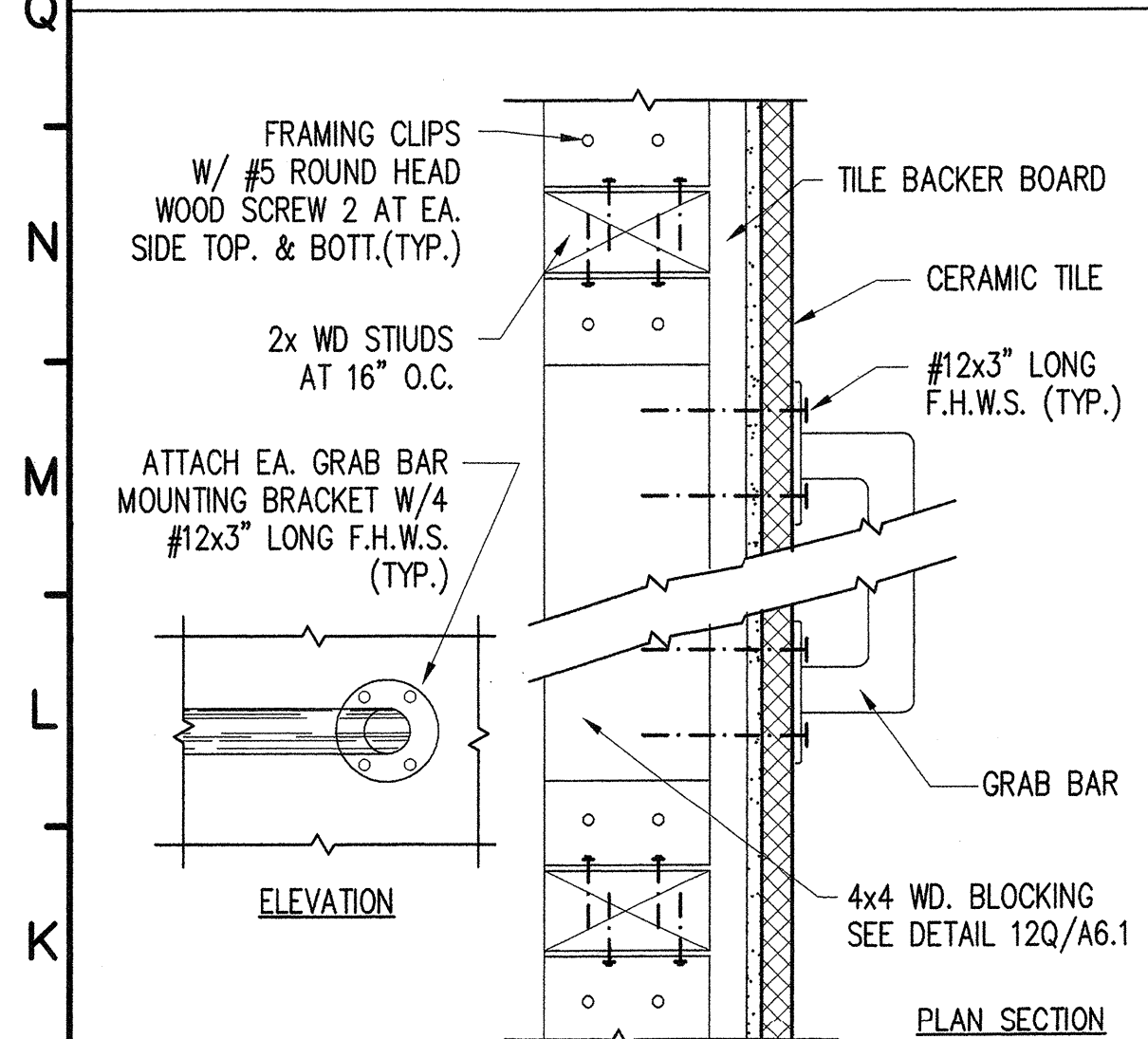
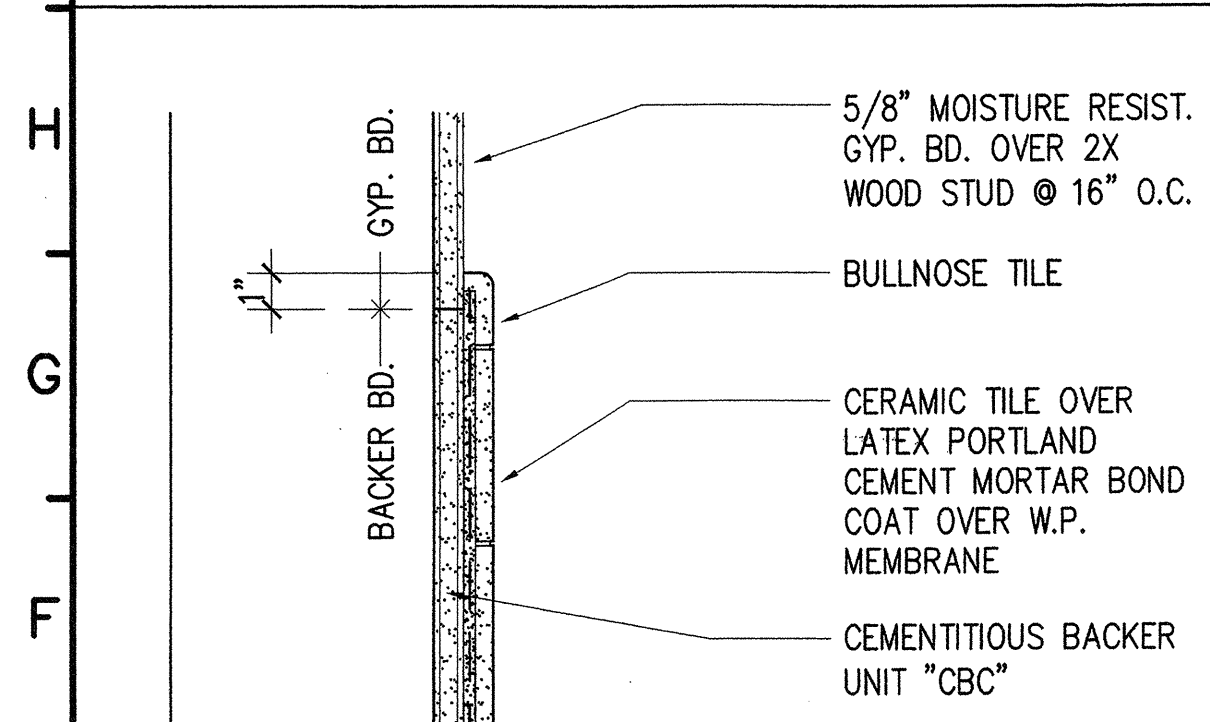


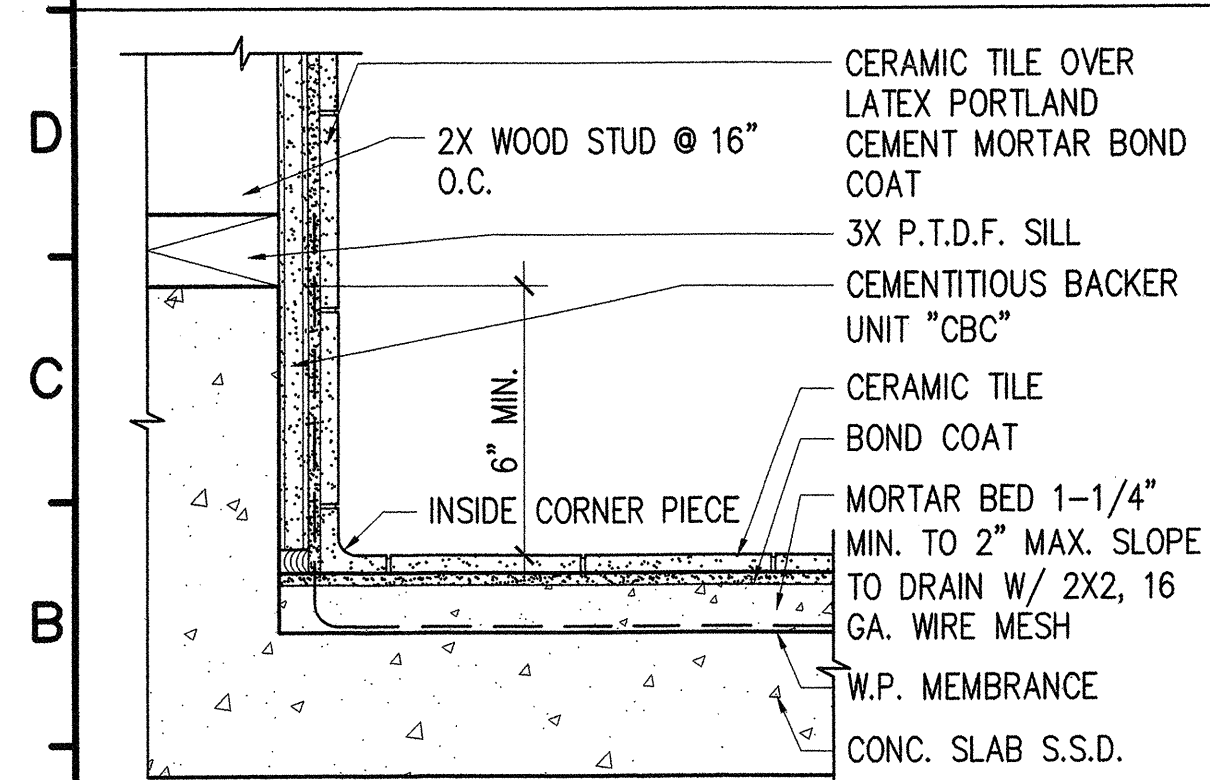
**20Q** TYP. TOILET PARTITION DETAIL  
 © A.D.A. ACCESSIBLE FIXTURES N.T.S.



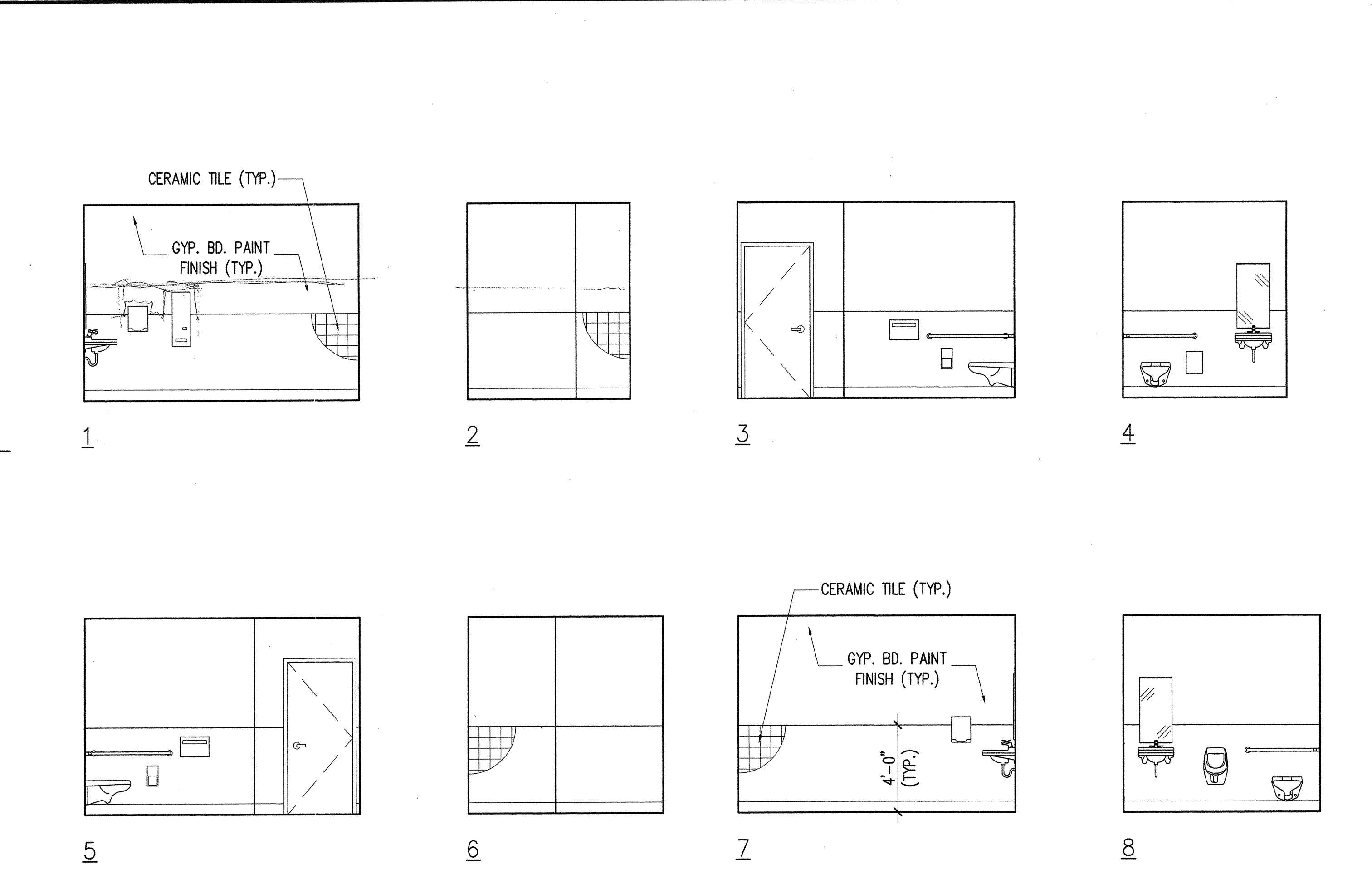
**20J** TYP. GRAB BAR DETAILS  
 © A.D.A. ACCESSIBLE RESTROOMS N.T.S.



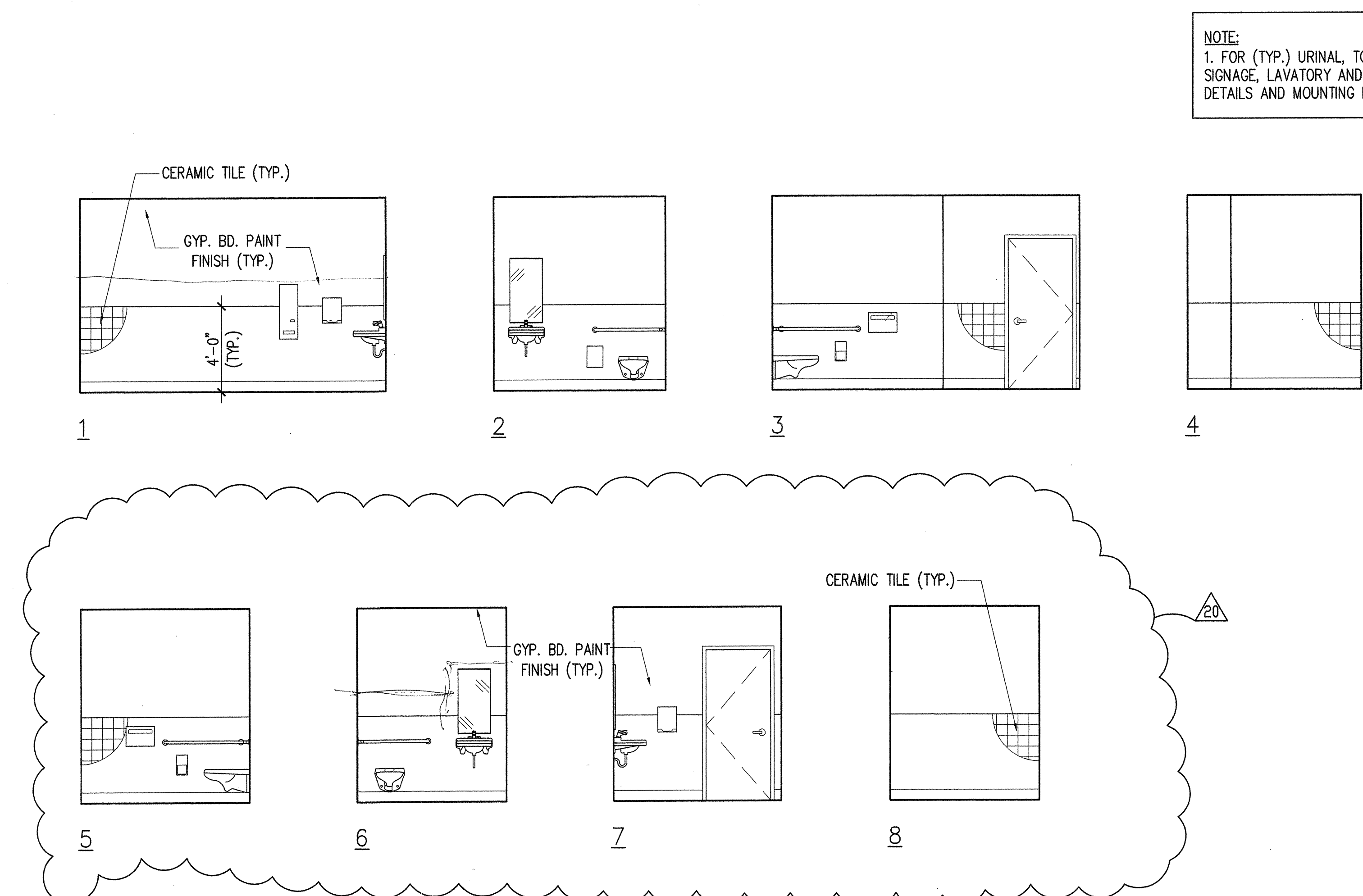
**20E** CERAMIC TILE WALL  
 WAINSCOT © RESTROOMS N.T.S.



**20A** CERAMIC TILE WALL @ BASE  
 © RESTROOMS N.T.S.



**16K** RESTROOM ELEVATIONS  
 © ADULT RESTROOM 1/4" = 1'-0"

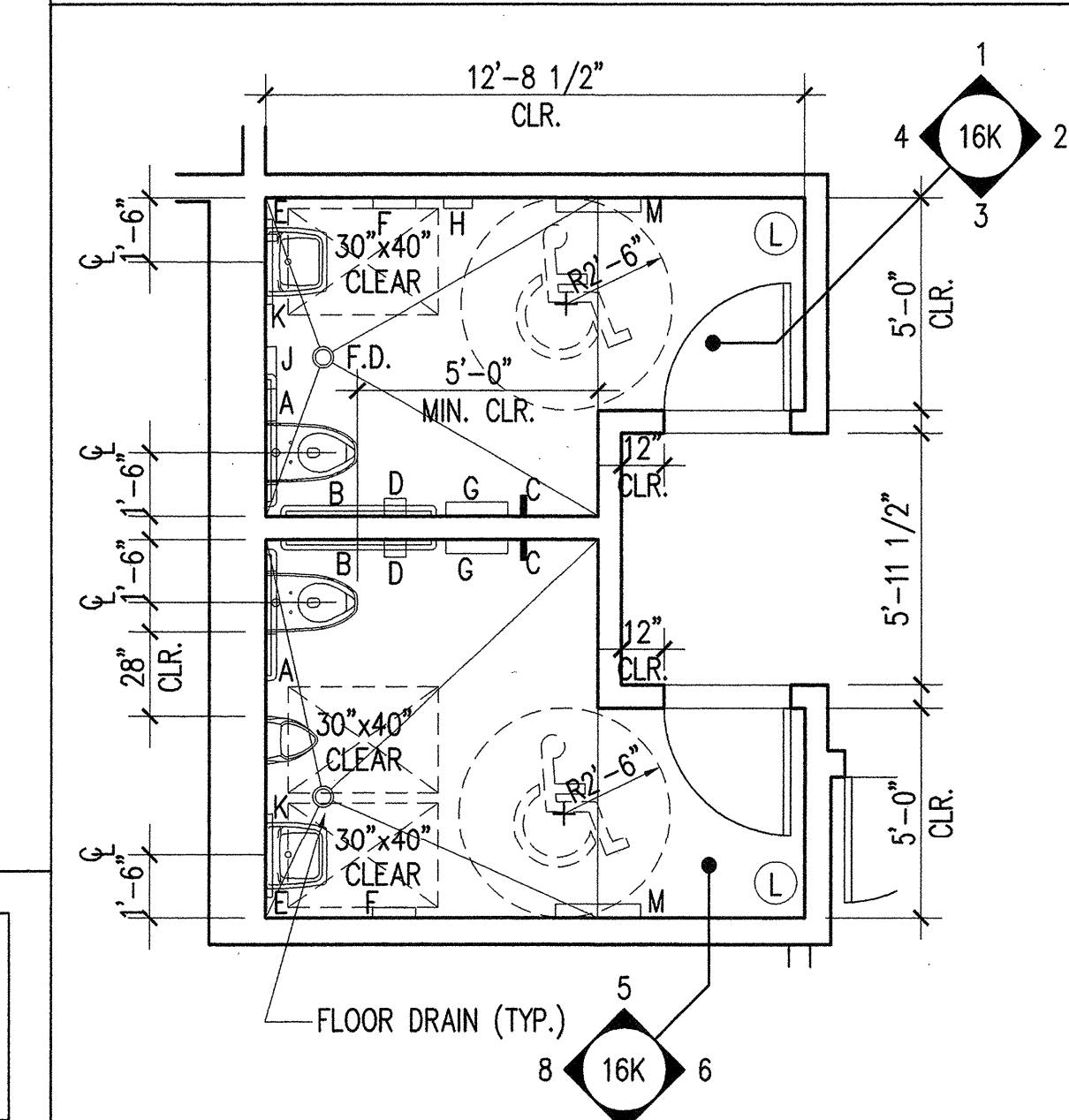


**16A** RESTROOM ELEVATIONS  
 © ADULT RESTROOM 1/4" = 1'-0"

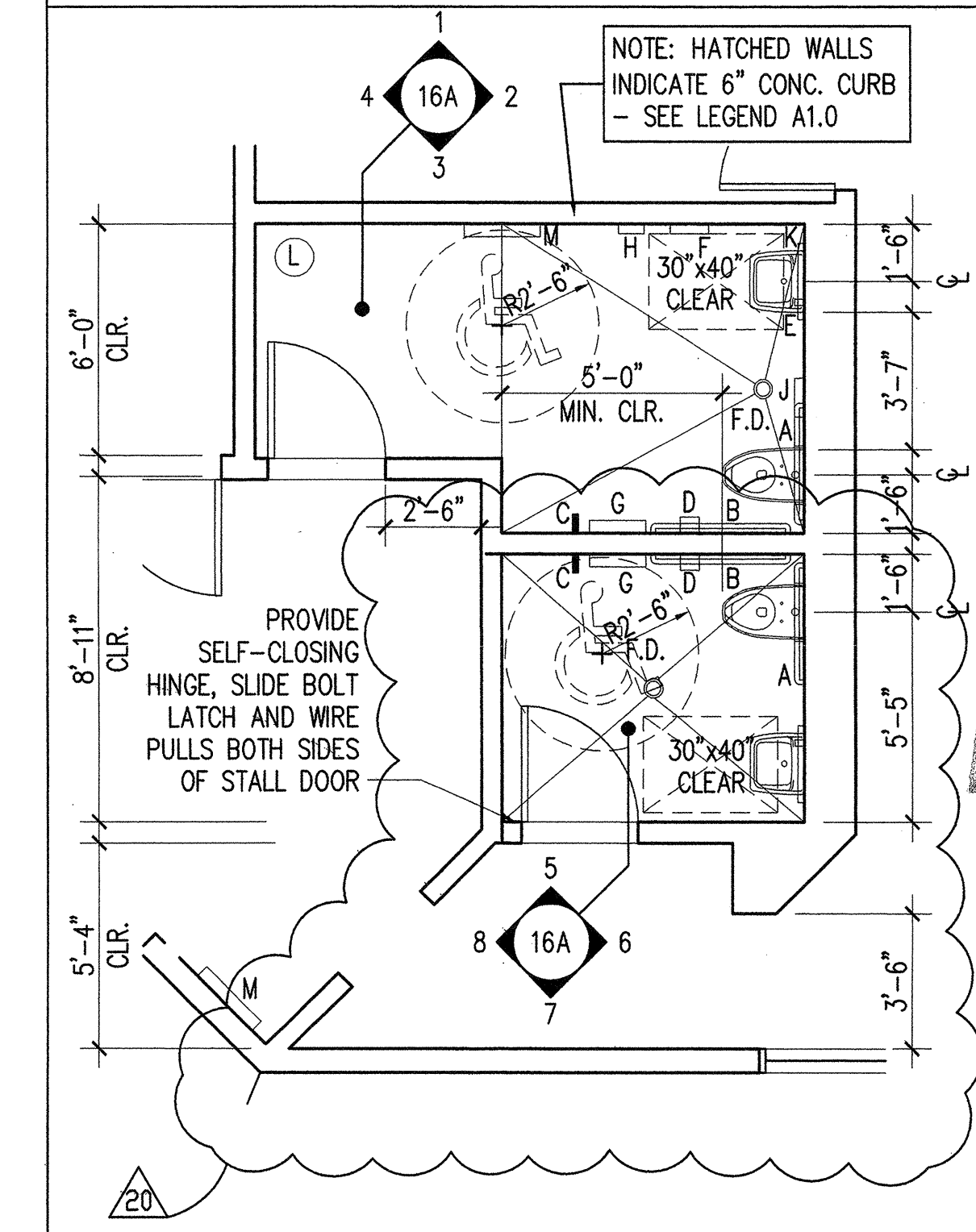
MARK	ITEM	MARK	ITEM
A	36" GRAB BAR	H	SANITARY NAPKIN DISPENSER
B	42" GRAB BAR	J	SANITARY NAPKIN DISPOSAL
C	COAT HOOK	K	MIRROR (STAINLESS STEEL)
D	SEMI-RECESSED ROLL TOILET PAPER DISPENSER	L	WASTE RECEPTACLE
E	LIQUID SOAP DISPENSER	M	DIAPER CHANGE STATION
F	PAPER TOWEL DISPENSER		
G	TOILET SEAT COVER DISPENSER		

NOTE:  
 1. FOR TYP. FIXTURE MOUNTING HEIGHTS, SEE DTL. 20A/A4.2  
 2. TOILET TISSUE DISPENSERS TO BE CONT. FLOW TYPE

**4N** TOILET ACCESSORIES SCHED.  
 NTS



**4H** ENLARGED RESTROOM PLAN  
 © ADULT RESTROOM 1/4" = 1'-0"



**4A** ENLARGED RESTROOM PLAN  
 © ADULT RESTROOM 1/4" = 1'-0"

**REVISIONS:** (A) REVISIONS BASE TO THIS SHEET

NO.	DATE	REASON	BY
1	10/15/01	ADDENDUM#1	
2	10/26/01	ADDENDUM#2	
3	02/28/03	ADDENDUM#2	
4	3/17/03	CR #19	
5	5/20/03	CR #20	

ISSUE FOR PROGRESS REVIEW 01/15/01  
 ISSUE FOR PLAN CHECK 01/25/01  
 ISSUE FOR FINAL REVIEW 05/09/01  
 ISSUE FOR BID  
 ISSUE FOR CONSTRUCTION

SEAL: [Professional Engineer Seal]

CONSULTANT: [Blank]

ARCHITECT: **CIA NFICHI**  
 ARCHITECTURE + PLANNING  
 30 ANNE COURT  
 WALNUT CREEK, CA 94598  
 TEL: (925) 256-8638  
 FAX: (925) 256-8652

PROJECT: **CHILD DEVELOPMENT CENTER  
 CANADA COLLEGE**  
 4200 FARM HILL BLVD.  
 REDWOOD CITY, CA 94061

SAN MATEO COUNTY COMMUNITY COLLEGE DISTRICT

STAMP: APPROVED  
 DIV. OF THE STATE ARCHITECT  
 AC# [Blank] FILED [Blank] SS [Blank]  
 APPL NO. 103529 DATE 6/16/03

APPL. NUMBER: [Blank]  
 KEY PLAN: [Blank]

**AS-BUILT**

SHEET TITLE: **ENLARGED PLANS AND ELEVATIONS**

DRAWN BY: GL	PROJECT NO.: 304.99
CHECKED BY: BA	DATE: 03/17/03
APPL. NO.: [Blank]	SHEET: <b>A4.1</b>
DATA NO.: [Blank]	NO. OF: [Blank]