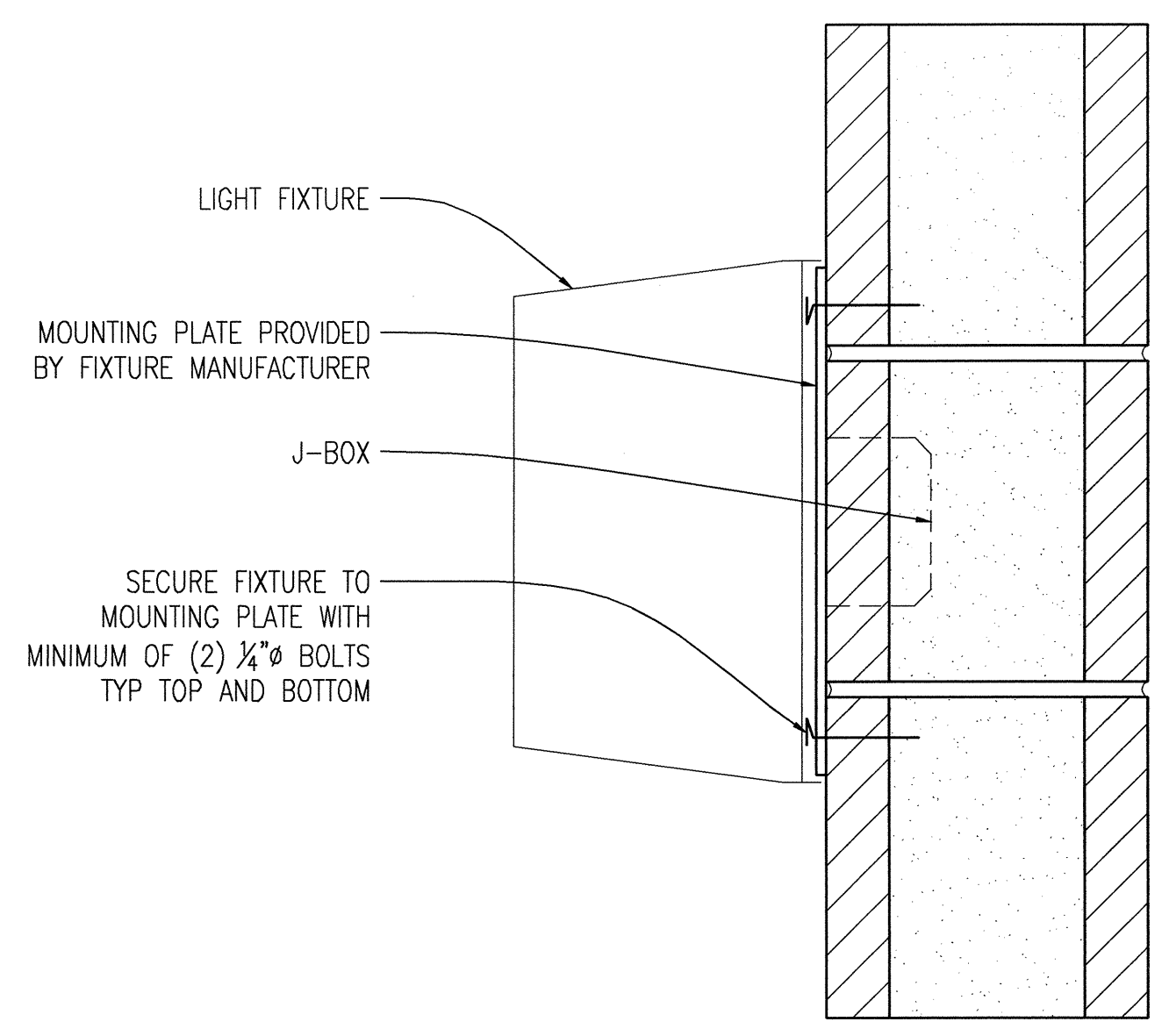
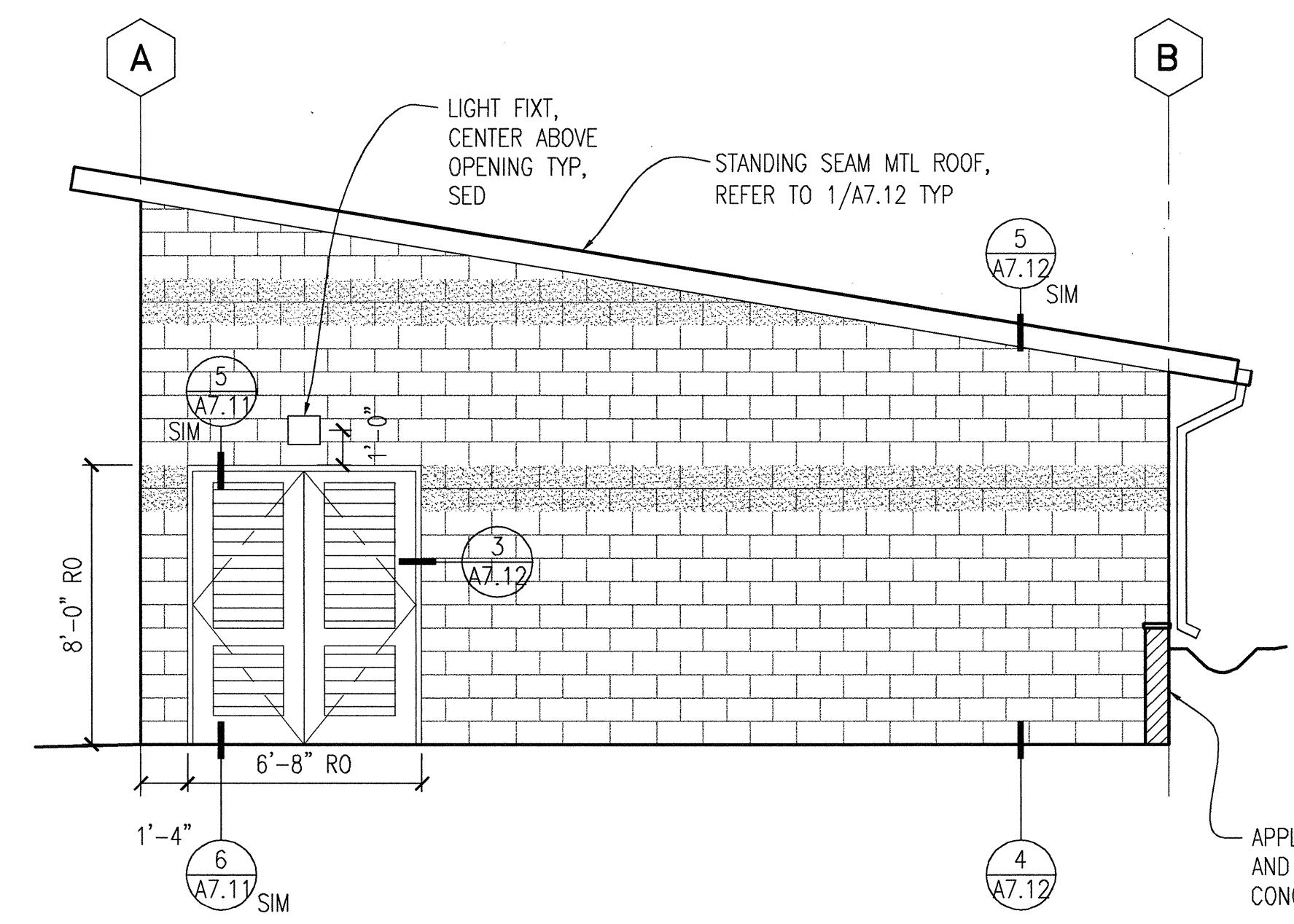


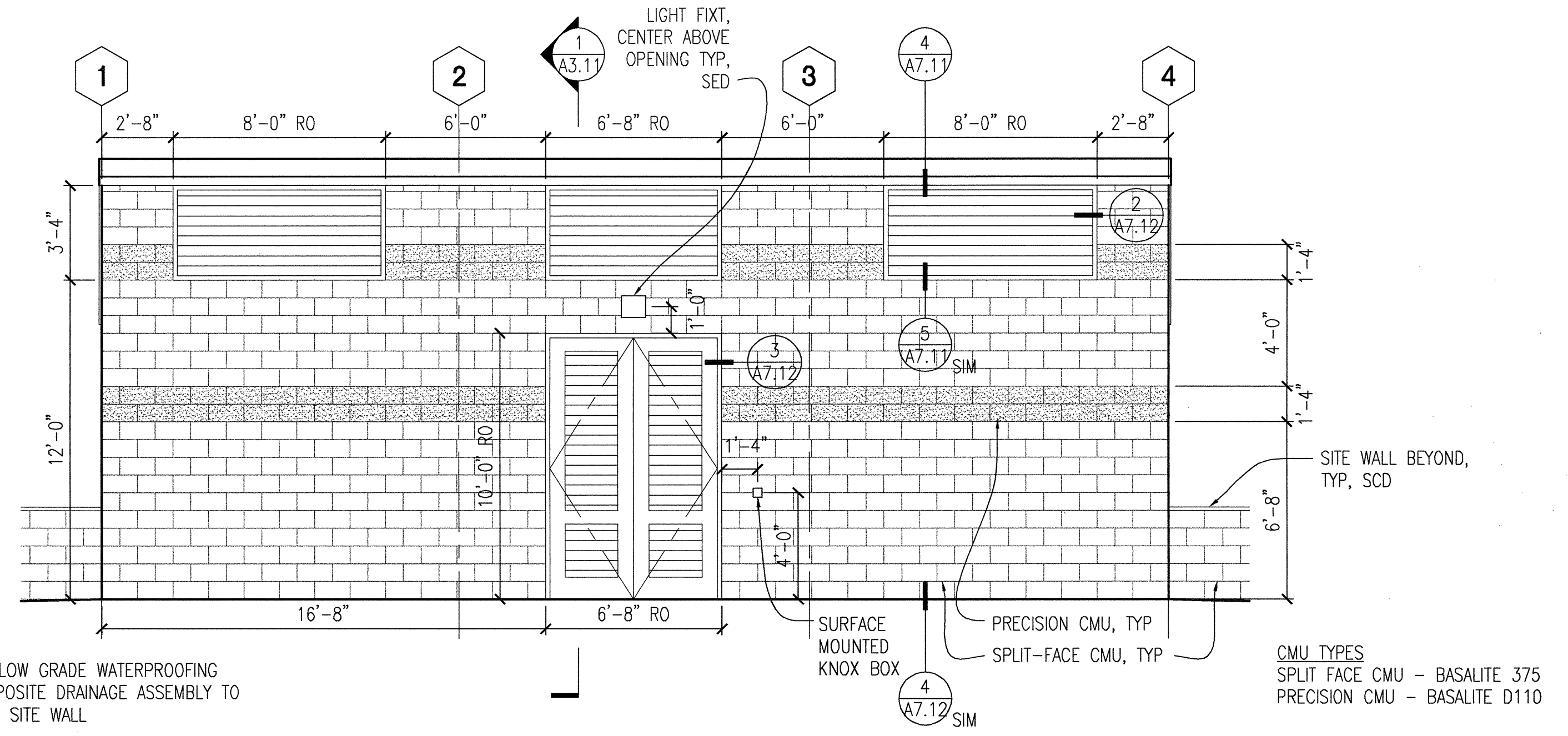
1 BLDG 30 - SECTION
A3.11 1/4" = 1'-0"



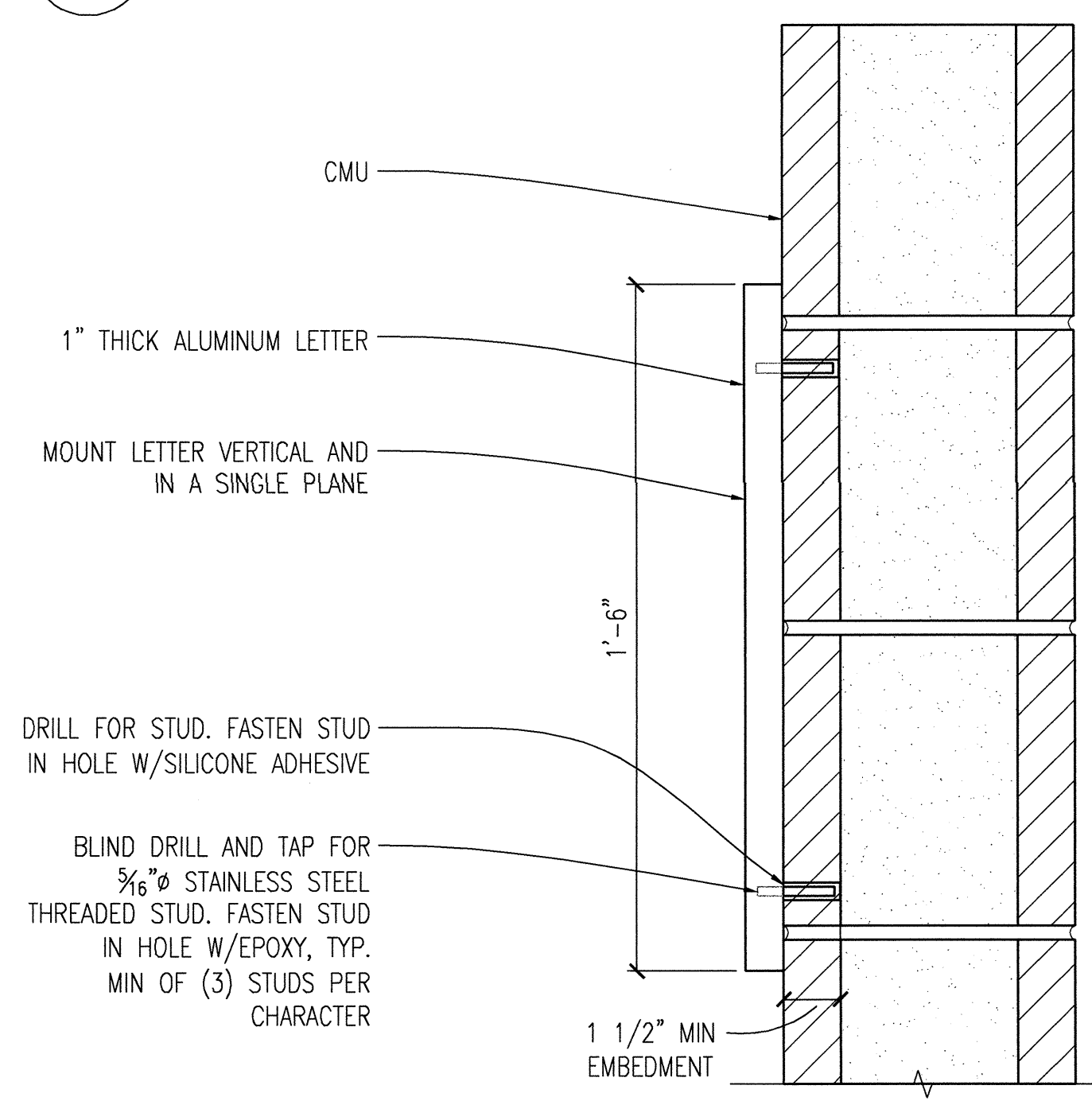
6 LIGHT FIXTURE MOUNTING DETAIL
A3.11 1/4" = 1'-0"



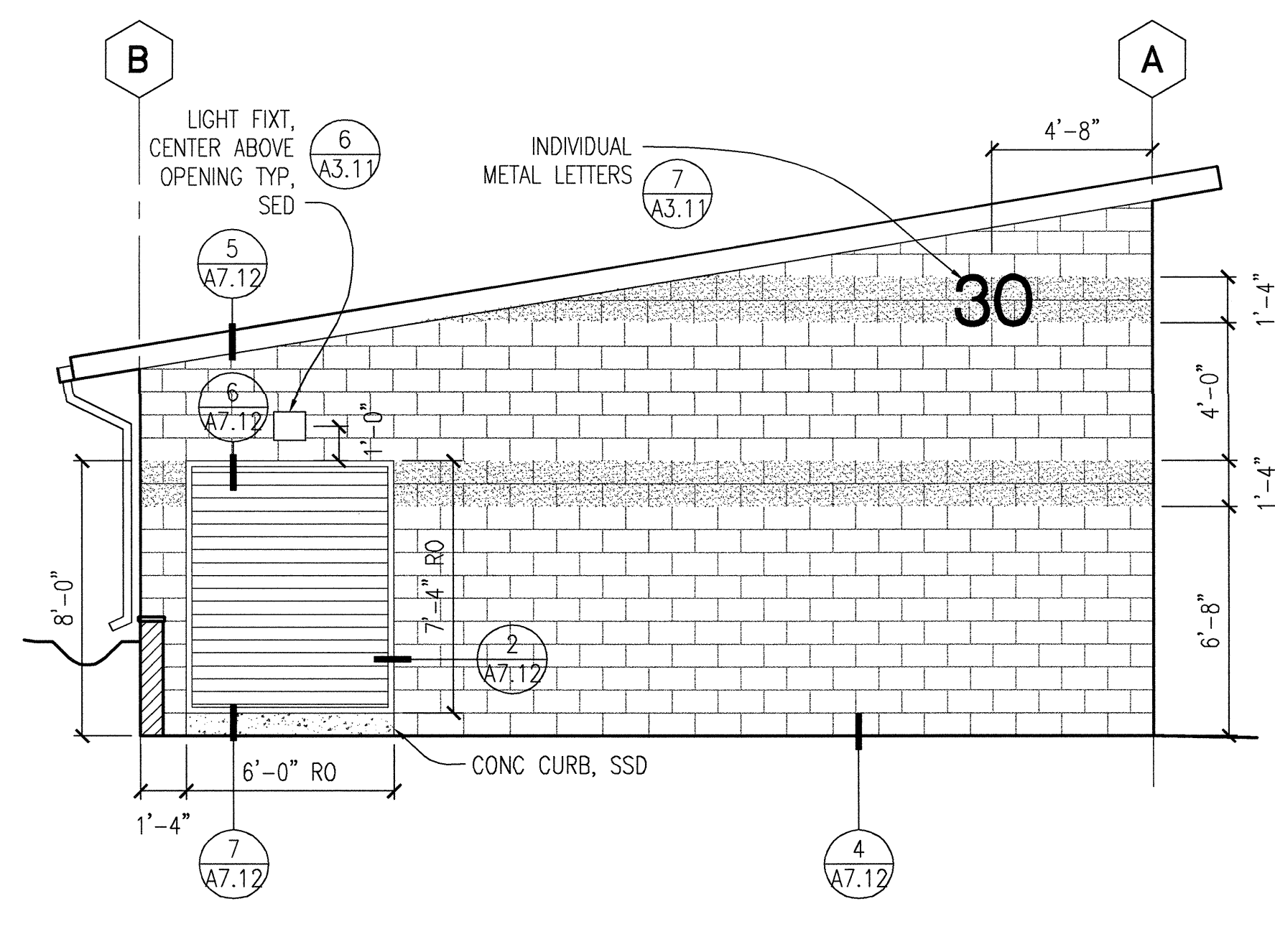
3 BLDG 30 - WEST ELEV
A3.11 1/4" = 1'-0"



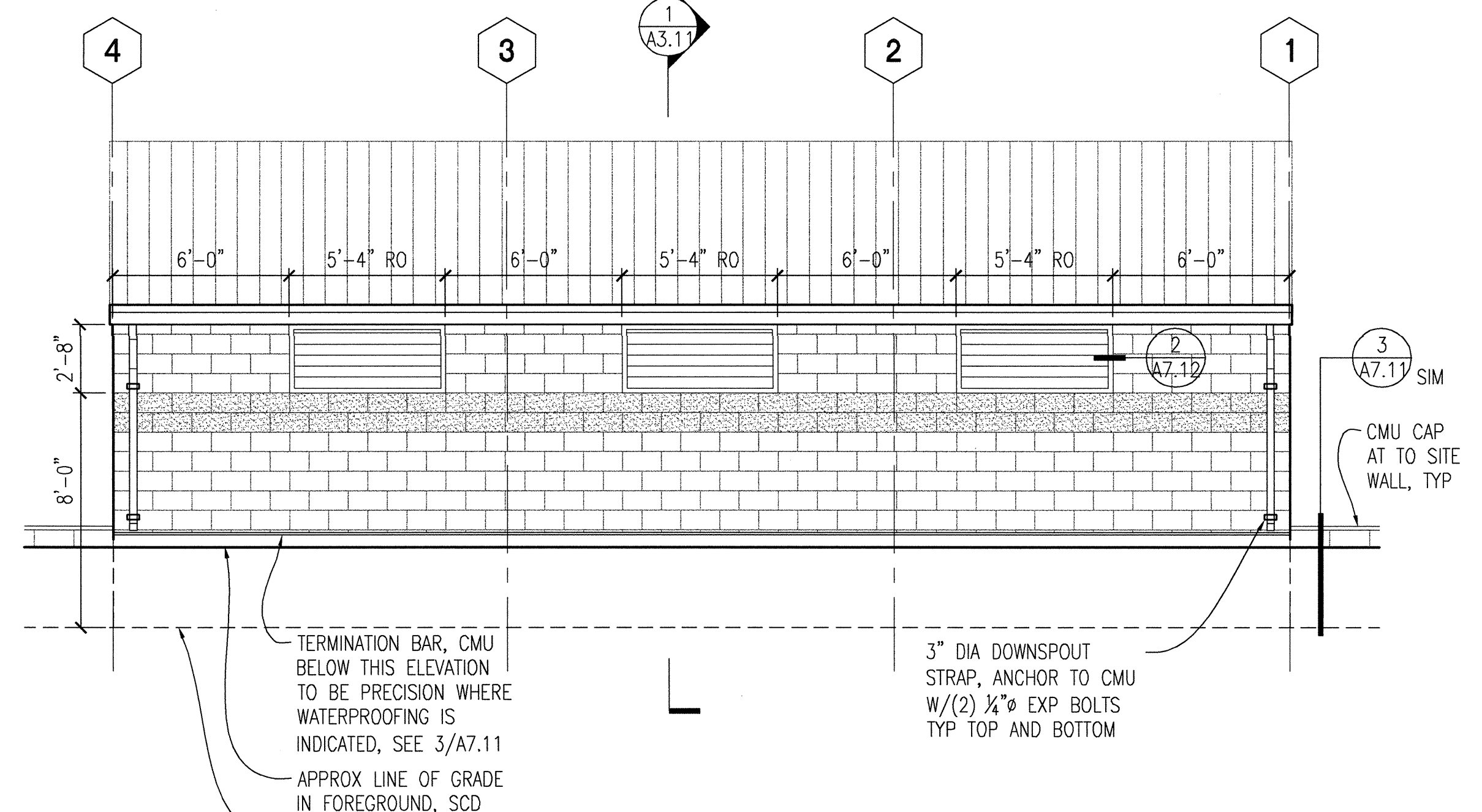
2 BLDG 30 - NORTH ELEV
A3.11 1/4" = 1'-0"



7 METAL LETTER MOUNTING DETAIL
A3.11 1/4" = 1'-0"



5 BLDG 30 - EAST ELEV
A3.11 1/4" = 1'-0"



4 BLDG 30 - SOUTH ELEV
A3.11 1/4" = 1'-0"

IDENTIFICATION STAMP
DIVISION OF THE STATE ARCHITECT
APPLICATION NUMBER: 01-11618
AC: [Signature] DATE: 2/9/11
CALIFORNIA STATE FIRE MARSHAL APPROVED
APPROVAL OF THIS PLAN DOES NOT AUTHORIZE OR APPROVE ANY
CONSTRUCTION OR DEVIATION FROM APPLICABLE REGULATIONS. FINAL
APPROVAL IS SUBJECT TO FIELD INSPECTION. ONE SET OF APPROVED
PLANS SHALL BE AVAILABLE ON THE PROJECT SITE AT ALL TIMES.
REVIEWED BY: [Signature] DATE:

CAÑADA COLLEGE
Electrical Infrastructure Replacement Project
4200 Farm Hill Blvd
Redwood City, CA 94061

REGISTERED ARCHITECT
CHRISTOPHER NOLL
REN 12/31/11
C15916
BID SET

SHEET TITLE
Bldg 30- Section, Ext Elevs

REVISIONS		
NO.	DATE	DESCRIPTION

DATE: January 14, 2011
DRAWN: TC/JAL
CHECKED: MM
SCALE: 1/4" = 1'-0"
JOB NO.: 2921.01
SHEET NUMBER
A3.11