

20Q ROLL UP DOOR JAMB 3" = 1'-0"

16Q ROLL UP DOOR HEAD 2" = 1'-0"

12Q EXT. WINDOW HEAD 3" = 1'-0"

8Q EXT. DOOR HEAD 3" = 1'-0"

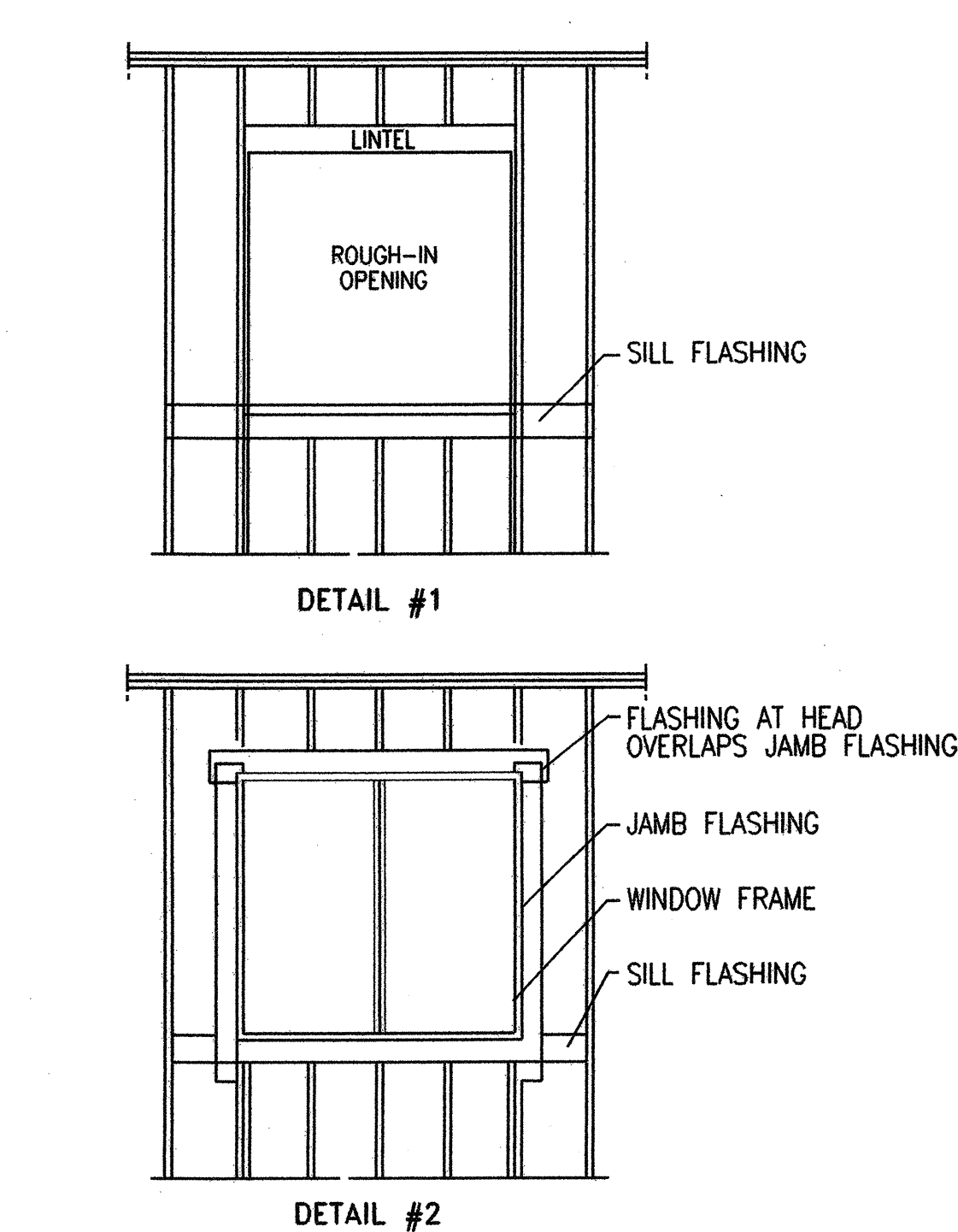
4Q EXT. DOOR JAMB 3" = 1'-0"

FLASHING FOR PORTLAND CEMENT PLASTER WALL AND PENETRATING FIXTURES

SECTION 1402A.2 OF THE CALIFORNIA BUILDING CODE STATES "EXTERIOR OPENINGS EXPOSED TO THE WEATHER SHALL BE FLASHED IN SUCH MANNER AS TO MAKE THEM WATERPROOF." THE FOLLOWING PROCEDURE IS RECOMMENDED TO ACHIEVE THIS INTENT IN THE FLASHING OF PENETRATIONS TO INCLUDE, BUT NOT LIMITED TO, WINDOWS, DOORS, VENTS, ETC.

PENETRATION FLASHING MATERIAL
MATERIAL FOR FLASHING SHALL BE BARRIER COATED REINFORCED FLASHING MATERIAL AND SHALL PROVIDE FOR 4-HOUR MINIMUM PROTECTION FROM WATER PENETRATION WHEN TESTED ACCORDANCE WITH ASTM D 799. FLASHING MATERIAL SHALL CARRY CONTINUOUS IDENTIFICATION. SEALANT SHALL BE BUTYL TO COMPLY WITH FED. SPEC. TT-5-1657.

APPLICATION
TO FLASH PENETRATIONS, A STRIP OF APPROVED FLASHING MATERIAL AT LEAST NINE INCHES WIDE MUST BE APPLIED IN WEATHERBOARD FASHION AROUND ALL OPENINGS. APPLY THE FIRST STRIP HORIZONTALLY IMMEDIATELY UNDERNEATH THE SILL. CUT IT SUFFICIENTLY LONG TO EXTEND PAST EACH SIDE OF THE WINDOW, DOOR OR VENT, SO THAT IT PROJECTS BEYOND THE VERTICAL FLASHING TO BE APPLIED. (DETAIL #1) FASTEN THE TOP EDGE OF THE FIRST SEGMENT TO THE WALL, BUT NOT SECURE THE BODY



20A PENETRATION FLASHING DETAILS N.T.S.

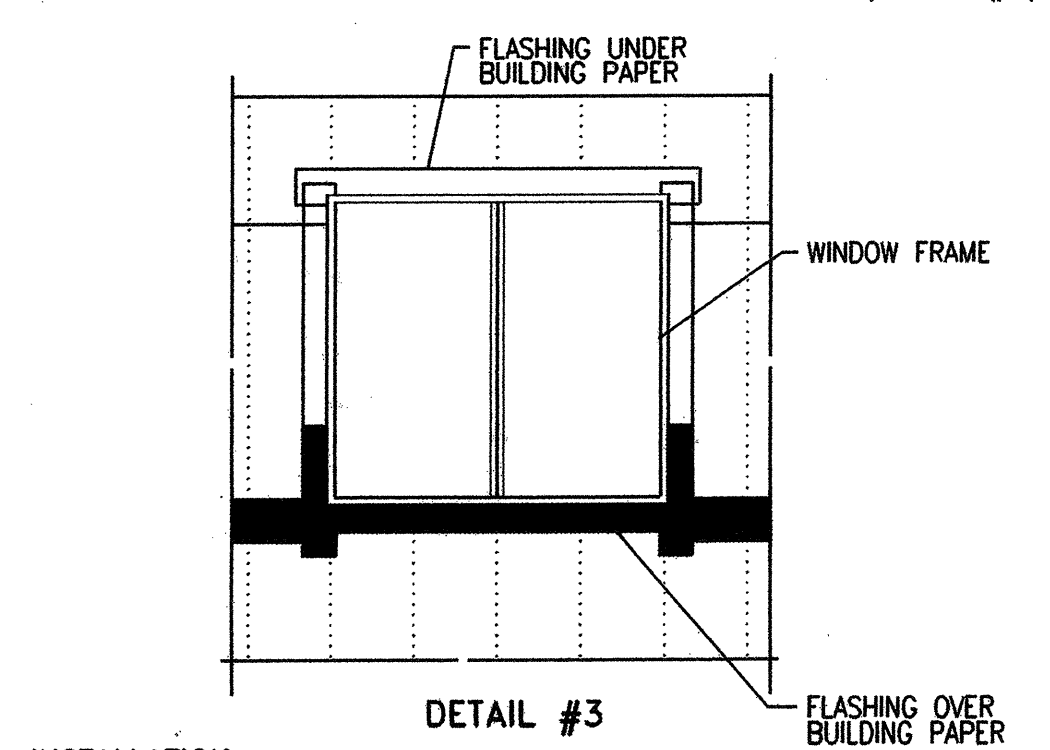
AND LOWER EDGE OF THE FIRST HORIZONTAL STRIP SO THE WEATHER RESISTANT BUILDING PAPER APPLIED LATER MAY BE SLIPPED UP AND UNDERNEATH THE BOTTOM FLASHING IN WEATHERBOARD FASHION. IN THE CASE OF LOW-SET WINDOWS, APPLY APPROVED PAPER THE FULL HEIGHT FROM THE BOTTOM OF THE PLATE LINE TO THE BOTTOM OF THE WINDOW SILL WHEN THE WINDOW IS FLASHED.

NEXT, APPLY THE TWO VERTICAL SIDE SECTIONS OF FLASHING. CUT THE SIDE SECTION SUFFICIENTLY LONG TO EXTEND THE WIDTH OF THE FLASHING ABOVE THE TOP OF THE WINDOW AND THE SAME DISTANCE BELOW THE WINDOW. APPLY THE SIDE SECTIONS OVER THE BOTTOM STRIP OF FLASHING. (DETAIL #2).

THE PENETRATING FIXTURE THEN IS INSTALLED BY PRESSING THE NAILING FLANGE POSITIVELY INTO A CONTINUOUS BEAD OF SEALANT WHICH EXTENDS AROUND THE BOTTOM AND VERTICAL PERIMETER OF THE INSERTED FIXTURE.

NOTE: THE CONTINUOUS BEAD OF SEALANT THAT IS APPLIED TO THE UNDERNEATH SIDE OF THE NAILING FLANGE OF WINDOWS, DOORS, AND VENTS IS NOT TO BE CONSTRUED AS A SUBSTITUTE FOR FLASHING.

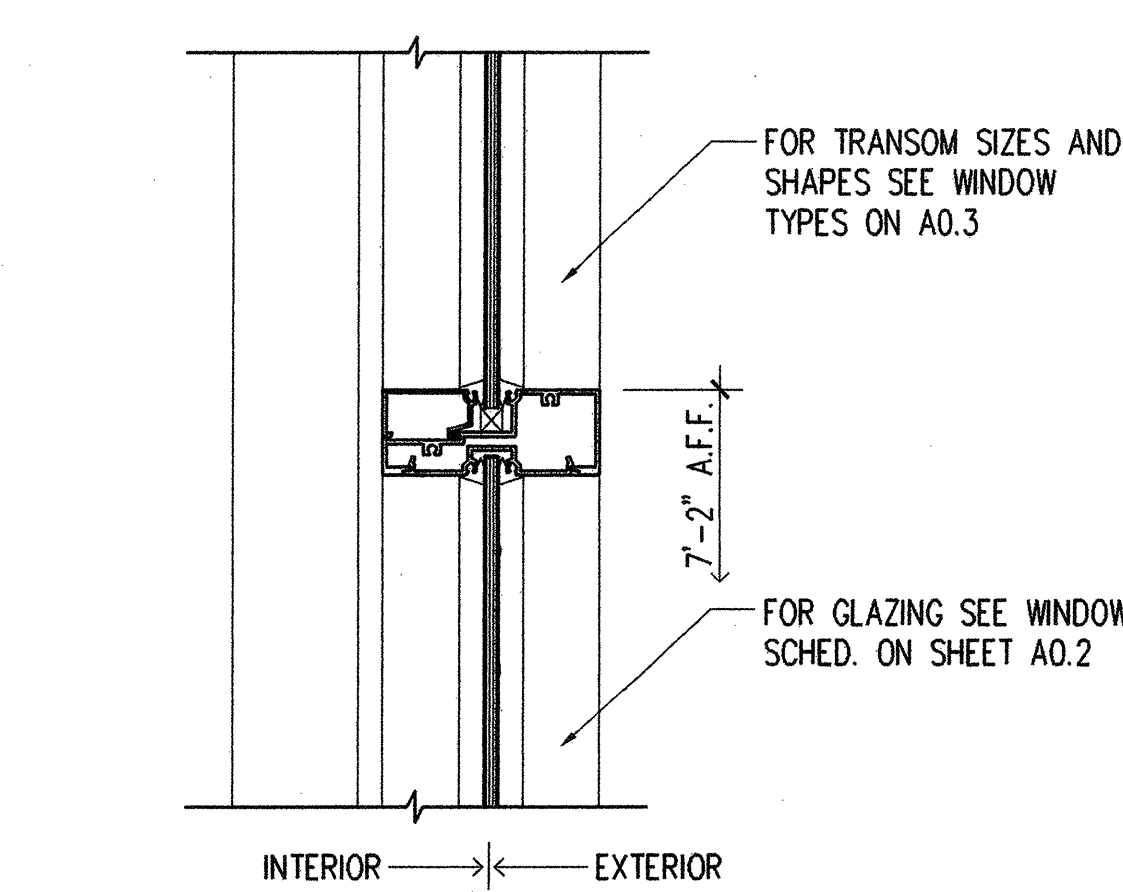
APPLY THE TOP HORIZONTAL SECTION OF FLASHING LAST, OVERLAPPING AND SEALED AGAINST THE FULL HEIGHT OF THE OUTER FACE OF THE TOP NAILING FLANGE WITH A CONTINUOUS BEAD OF SEALANT. CUT THE TOP PIECE OF FLASHING SUFFICIENTLY LONG SO THAT IT WILL EXTEND TO THE OUTER EDGE OF BOTH VERTICAL STRIPS OF SIDE FLASHING. (DETAIL #3)



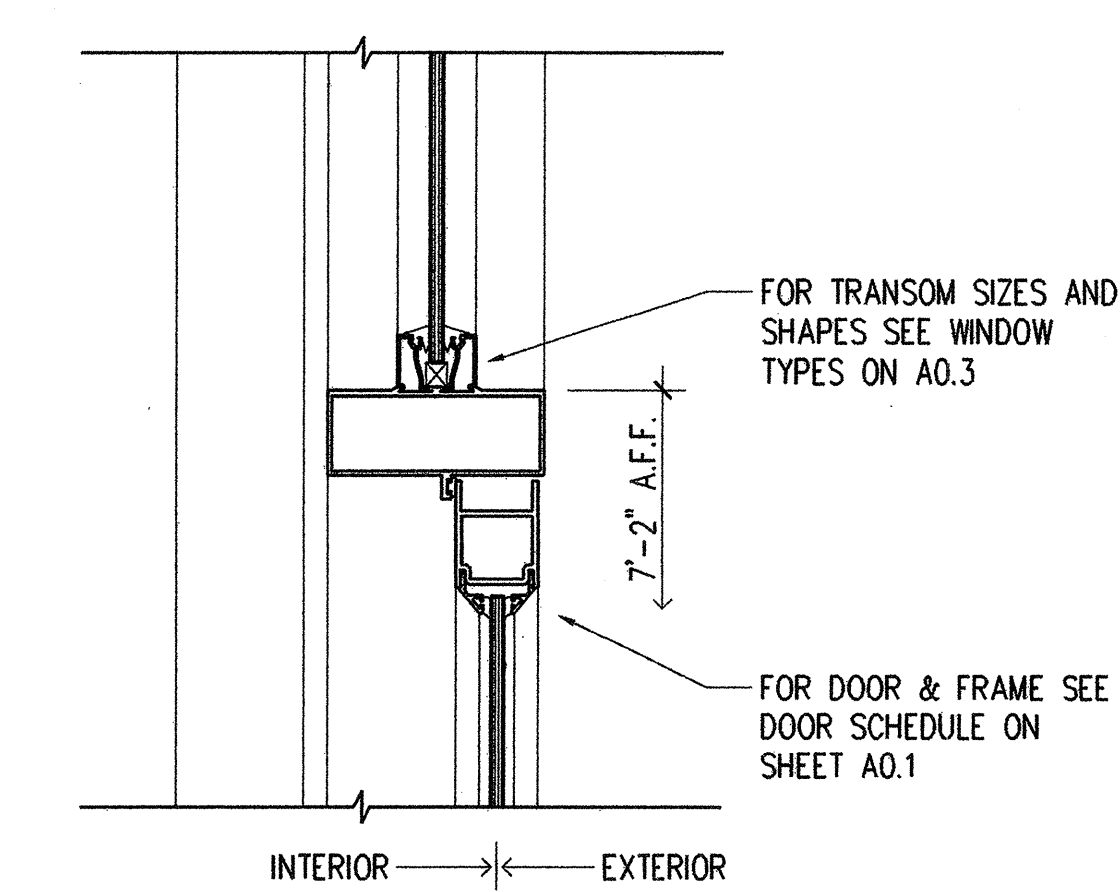
INSTALLATION:
INSTALLATION OF EXTERIOR PLASTER WEATHER RESISTANT PAPER UNDERLAYMENT TO COMPLETE ACCEPTABLE PENETRATION FLASHING.

COMMENCE AT THE BOTTOM OF THE WALL AND OVERLAPPING THE WEEP SCREEN FLANGE LAY THE APPROVED WEATHER RESISTANT PAPER UP THE WALL OVERLAPPING 2" MINIMUM IN WEATHERBOARD FASHION. BE SURE THAT 'A' IS PLACE UNDER THE SILL STRIP FLASHING.

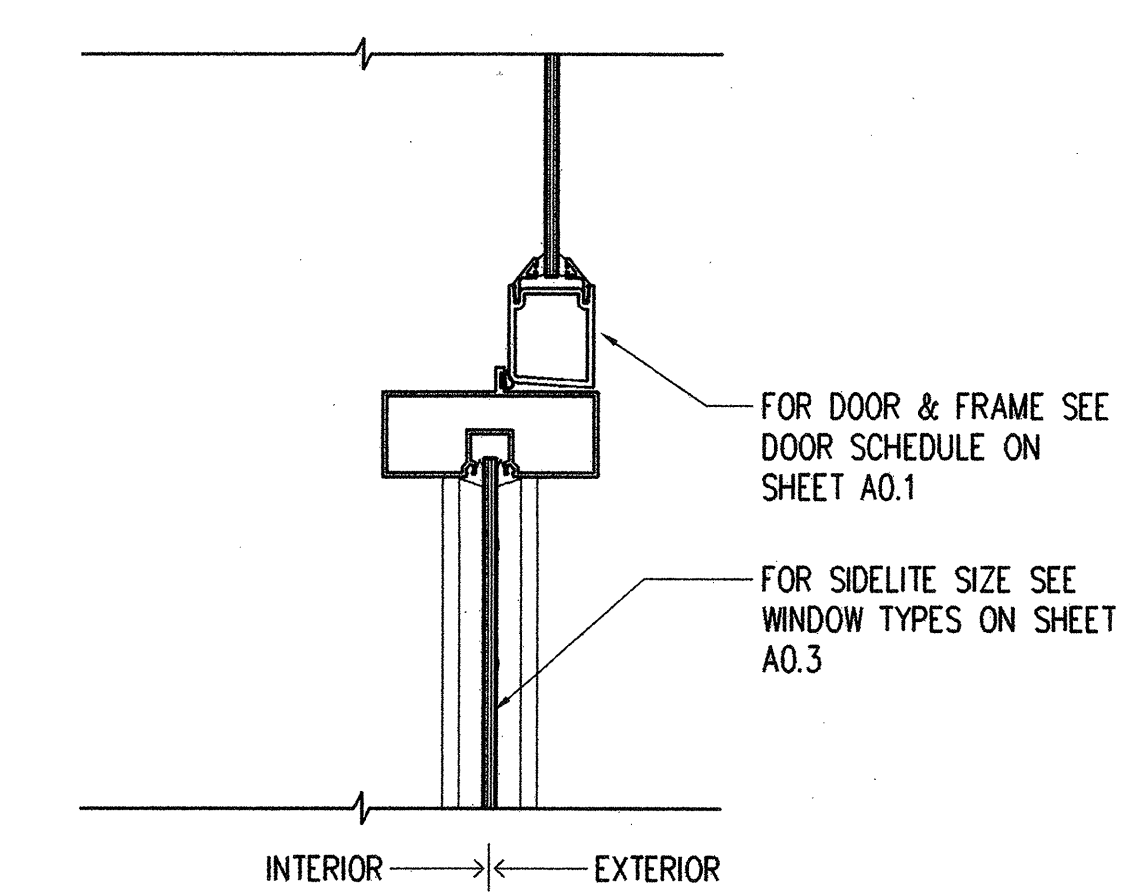
NOTE:
THESE RECOMMENDATIONS ARE BASED ON EXTENSIVE EXPERIENCE AND ARE NOT IN ANY WAY INTENDED TO IMPLY GUARANTEES.



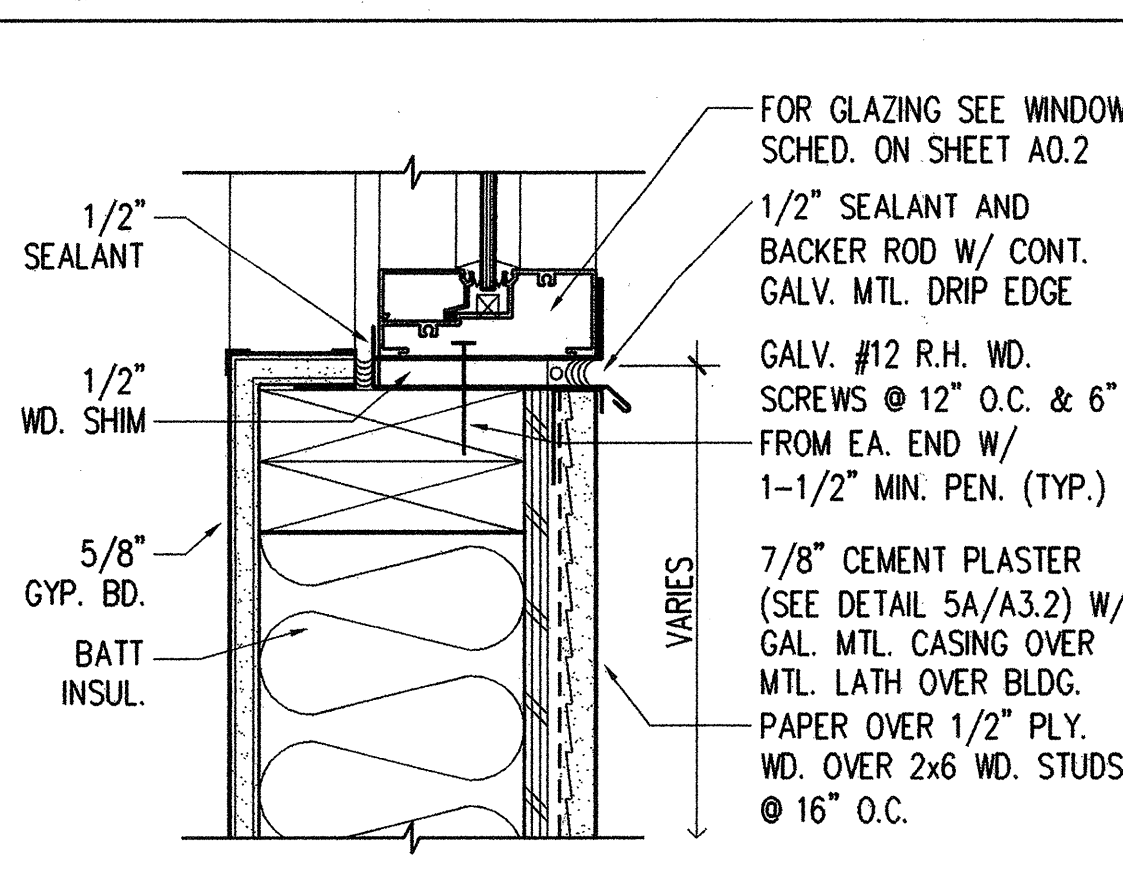
12K EXT. WINDOW HEAD @ TRANSOM 3" = 1'-0"



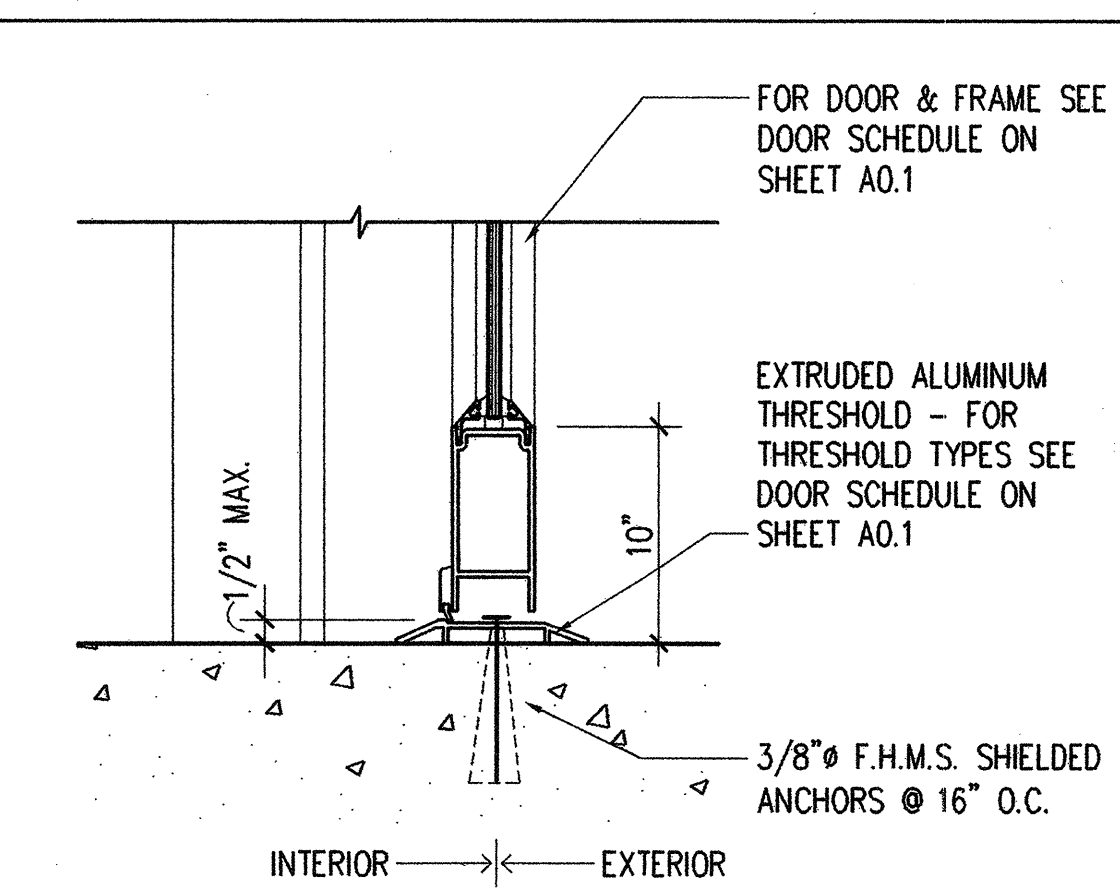
8K EXT. DOOR HEAD @ TRANSOM 3" = 1'-0"



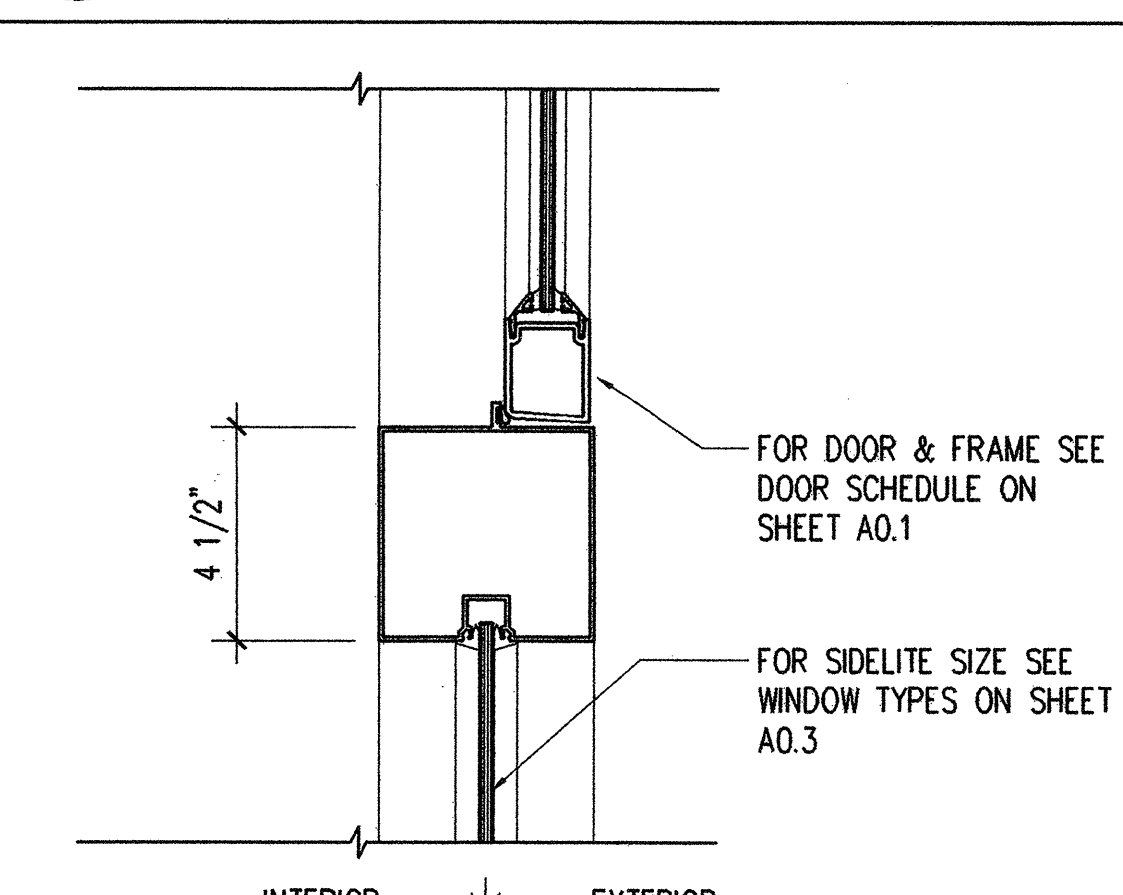
4K EXT. DOOR JAMB PLAN @ SIDELITE 3" = 1'-0"



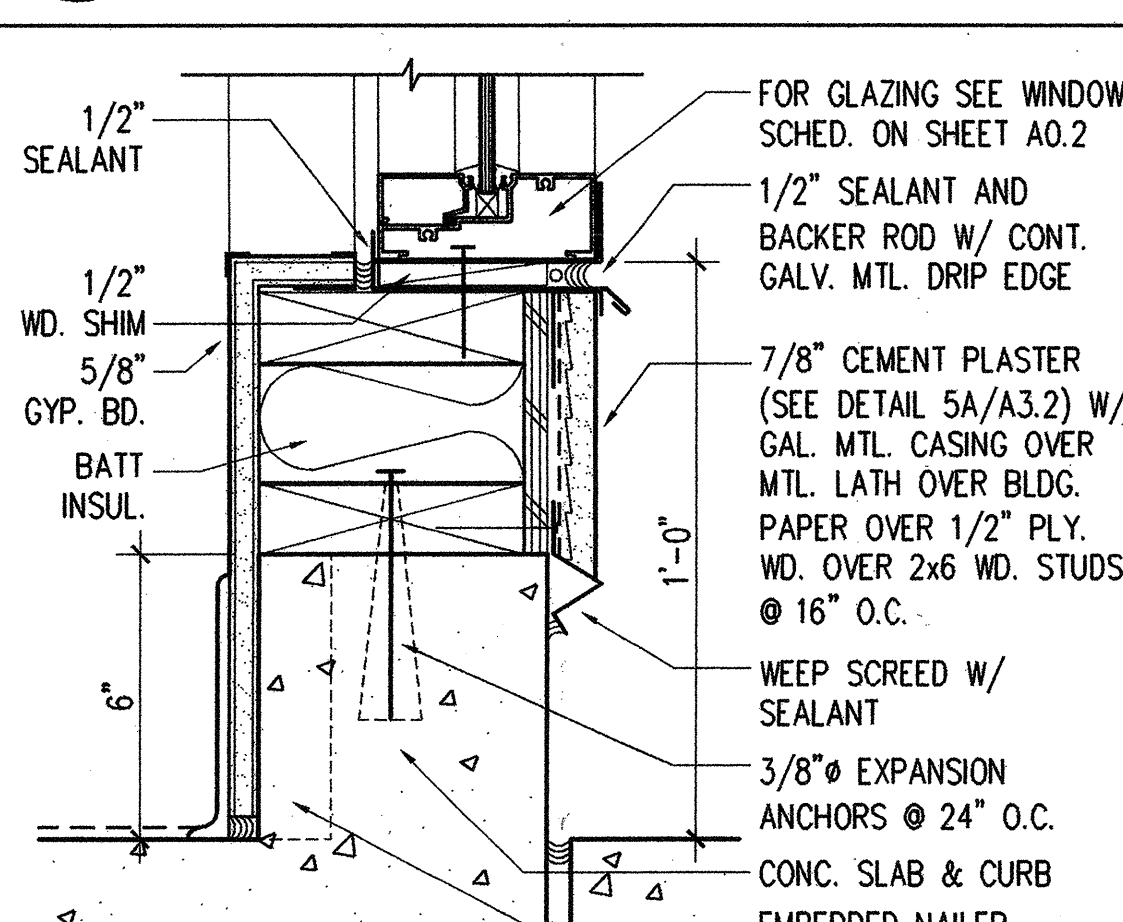
12E EXT. WINDOW SILL JAMB SIM. 3" = 1'-0"



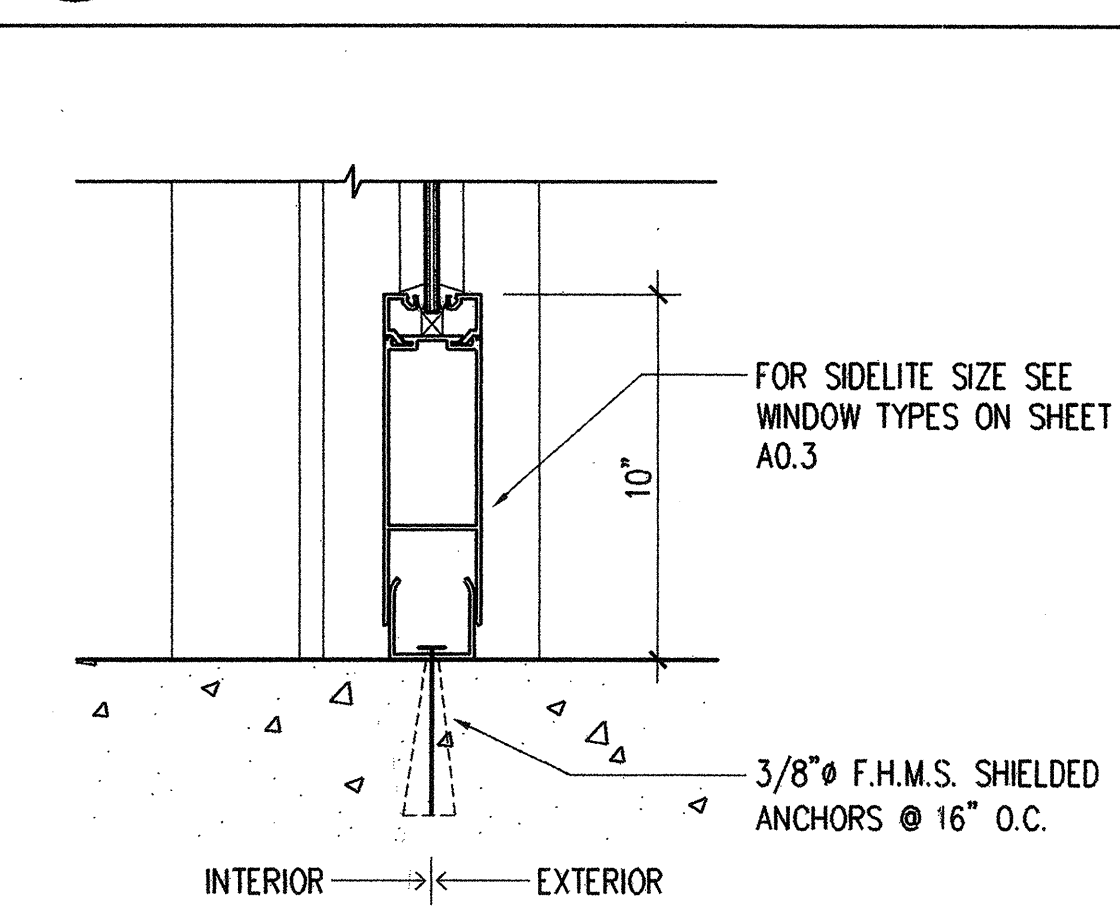
8E EXT. DOOR SILL 3" = 1'-0"



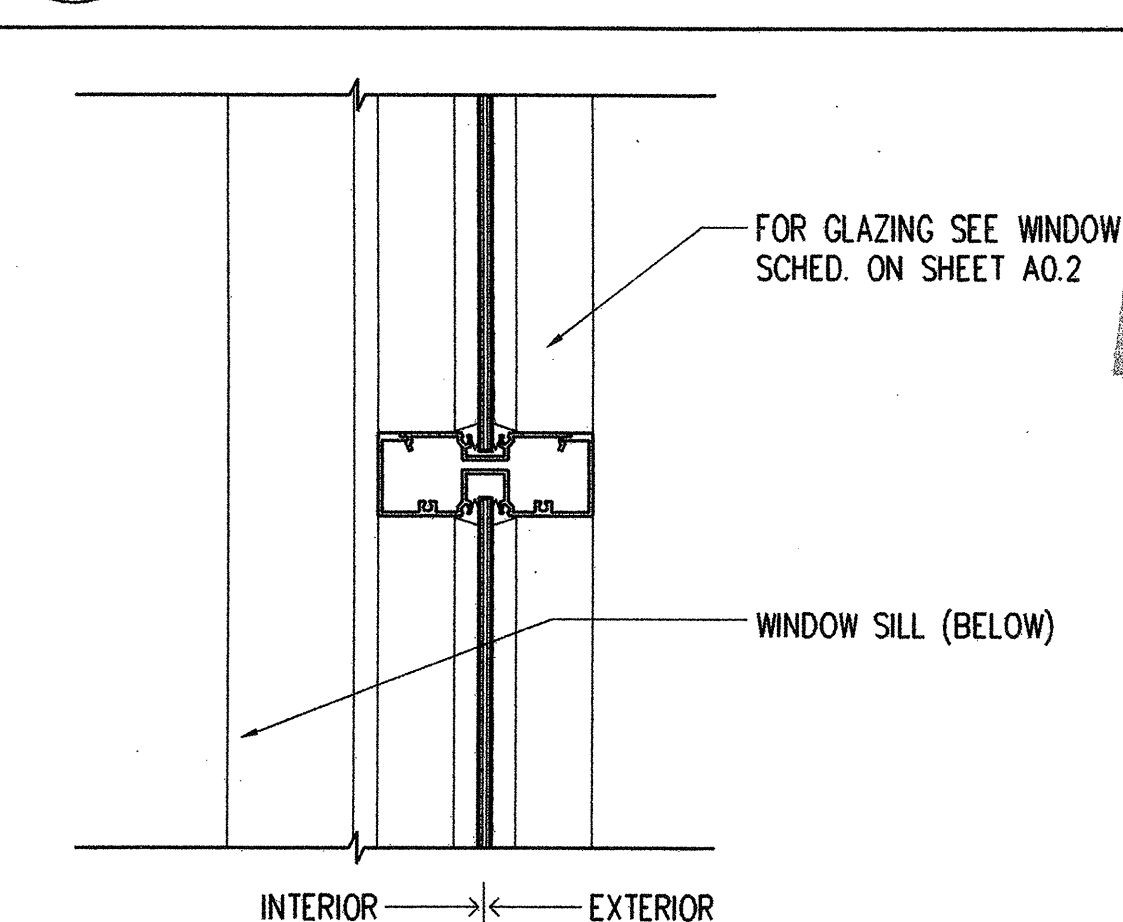
4E HEAVY EXT. DOOR JAMB PLAN @ SIDELITE 3" = 1'-0"



12A EXT. WINDOW SILL 3" = 1'-0"



8A EXT. SIDELITE SILL 3" = 1'-0"



4A WINDOW JAMB PLAN @ VERTICAL MULLION 3" = 1'-0"

REVISIONS: NO. DATE REASON BY

ISSUE FOR PROGRESS REVIEW 01/15/01
ISSUE FOR PLAN CHECK 01/25/01
ISSUE FOR FINAL REVIEW 05/09/01
ISSUE FOR BID
ISSUE FOR CONSTRUCTION

STATE OF CALIFORNIA ARCHITECTURE & PLANNING BOARD
REGISTERED ARCHITECT
JULIO J. CIANFICHI
ARCHITECT
CONSULTANT

CONSULTANT:

ARCHITECT:
C I A N F I C H I
ARCHITECTURE . PLANNING
30 ANNE COURT
WALNUT CREEK, CA 94598
TEL: (925) 256-8638
FAX: (925) 256-8652

PROJECT:
CHILD DEVELOPMENT CENTER
CANADA COLLEGE
4200 FARM HILL BLVD.
REDWOOD CITY, CA 94061

SAN MATEO COUNTY COMMUNITY COLLEGE DISTRICT

STAMP/REGISTRATION STAMP
DIVISION OF THE STATE ARCHITECT

APPL NO. 103529
DATE 11/25/01
SCALE 1/2" = 1'-0"

APPL. NUMBER:
KEY PLAN:
AS-BUILT

SHEET TITLE:
DOOR/WINDOW DETAILS

DRAWN BY: PROJECT NO.:
GL 304.99
CHECKED BY: DATE:
BA 01-25-2001
APPL NO.: SHEET:
DATA NO.: **A3.5**