

DOOR NUMBER	LOCATION		DOOR TYPE	DETAILS				OPENING	THICKNESS	CORE	FACE MATERIAL	LABEL	FRAME	HARDWARE GROUP	CLOSER	FINISH		REMARKS	SIGNAGE
	FROM (OUTSIDE)	TO (INSIDE)		HEAD	JAMB	JAMB	THRESHOLD									FRAME	DOOR		
101	EXTERIOR	CONCESSION	A	16/A4.11	03/A4.11		18/A4.12	3'-0" x 8'-0"	1-3/4"	T	AL	NONE	AL	08	NO	AL	AL	-	SEE PLAN/ELEVATION
104	EXTERIOR	ACD	C	07/A4.11	07/A4.11		11/A4.11	PR 3'-0" x 7'-0"	1-3/4"	HM	FRP	NONE	METAL	07	NO	PT	PT	-	SEE PLAN/ELEVATION
105	EXTERIOR	CHLORINE	C	07/A4.11	07/A4.11		11/A4.11	PR 3'-0" x 7'-0"	1-3/4"	HM	FRP	NONE	METAL	07	NO	PT	PT	-	SEE PLAN/ELEVATION
106	EXTERIOR	CHLORINE	C	07/A4.11	07/A4.11		11/A4.11	PR 3'-0" x 7'-0"	1-3/4"	HM	FRP	NONE	METAL	07	NO	PT	PT	-	SEE PLAN/ELEVATION
107A	EXTERIOR	EQUIPMENT	A	07/A4.11	07/A4.11		11/A4.11	3'-0" x 7'-0"	1-3/4"	HM	FRP	NONE	METAL	08	NO	PT	PT	-	SEE PLAN/ELEVATION
107B	EXTERIOR	EQUIPMENT	C	07/A4.11	07/A4.11		11/A4.11	PR 3'-0" x 7'-0"	1-3/4"	HM	FRP	NONE	METAL	07	NO	PT	PT	-	SEE PLAN/ELEVATION

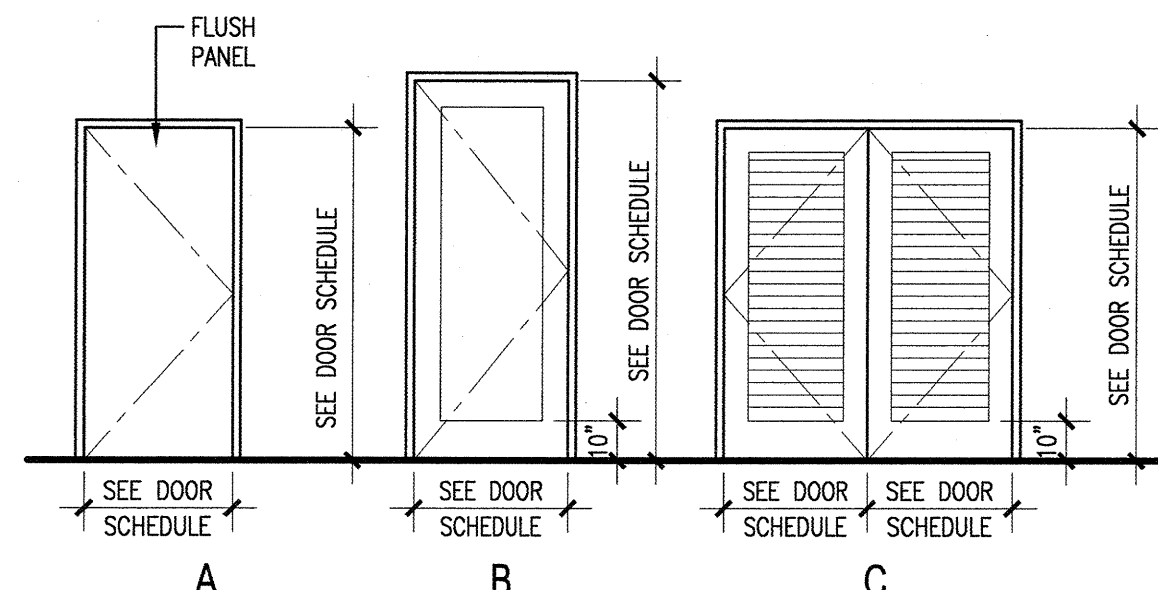
DOOR SCHEDULE 10

HARDWARE GROUP 07 PAIR  
 EACH TO HWG:  
 8 EACH HINGE 5881HW 4.5X 4.5 NRP 630 ME  
 2 EACH MANUAL BOLT FB457 626 ME  
 1 EACH DUST PROOF STRIKE DFI 626 ME  
 1 EACH STOREFRONT LOCK NDR07D SPA 626 SCH  
 1 EACH PERMANENT CORE 20-740 (PRMUS) 626 SCH  
 1 EACH ASTRIAL 13ESP / OR BY DOOR MFG 600 NCP  
 1 EACH OVERHEAD STOP 1005 630 QLY  
 1 EACH FLOOR STOP & HOLDER 1005 626 ME  
 1 SET SEALS 2525B BRN BRN  
 2 EACH DOOR SWEEP 200NA 36" AL NCP  
 1 EACH THRESHOLD PER DETAIL 628

HARDWARE GROUP 08 SINGLE  
 EACH TO HWG:  
 3 EACH HINGE 5881HW 4.5X 4.5 NRP 630 ME  
 1 EACH MANUAL BOLT FB457 626 ME  
 1 EACH DUST PROOF STRIKE DFI 626 ME  
 1 EACH STOREFRONT LOCK NDR07D SPA 626 SCH  
 1 EACH PERMANENT CORE 20-740 (PRMUS) 626 SCH  
 1 EACH OVERHEAD STOP 1005 630 QLY  
 1 EACH FLOOR STOP & HOLDER 1005 626 ME  
 1 SET SEALS 2525B BRN BRN  
 1 EACH DOOR SWEEP 200NA 36" AL NCP  
 1 EACH THRESHOLD PER DETAIL 628

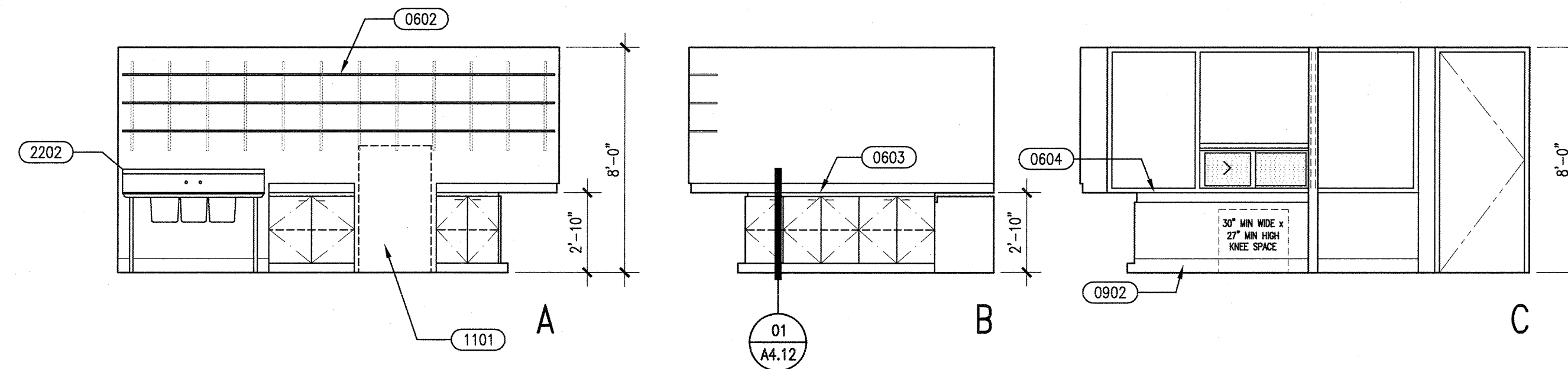
KEYNOTES

- (0301) - CONCRETE STEM WALL
- (0303) - 6" HIGH X 10" WIDE CONCRETE CURB
- (0401) - CMU WALL WITH CEMENT PLASTER FINISH
- (0403) - CMU - SEALED, USE UL DESIGN U906 FOR REQUIRED 1HR OCCUPANCY SEPARATION
- (0503) - METAL GUARDRAIL, SEE POOL DRAWINGS 7/MR4
- (0504) - METAL LADDER, SEE DETAIL 19/A4.12
- (0602) - 12" WIDE SHELVING WITH PLASTIC LAMINATE FINISH, SEE DETAIL 20/A4.12 FOR SHELVING STANDARD ATTACHMENT TO WALL
- (0603) - PLASTIC LAMINATE COUNTERWORK
- (0604) - PLASTIC LAMINATE COUNTER
- (0701) - SINGLE PLY CLASS "A" ROOFING APPLIED DIRECTLY TO RIGID INSULATION SECTION 719.5 CBC 2007
- (0705) - 1HR JOINT SYSTEM - UL DESIGN HW-0-0181
- (0725) - WATER PROOFING AT CONCRETE AND CMU BELOW GRADE - ALL SURFACES. 10 ML. VESQUEEN VAPOR BARRIER 0/ COMPACTED GRAVEL BASE, PER GEOTECH REPORT.
- (0727) - TAPERED RIGID INSULATION, PROVIDE MIN 1/4" PER FOOT TO ROOF DRAIN AND OVERFLOW SCUPPER
- (0803) - LOUVERED FRP DOOR
- (0901) - VINYL COATED 2'X4' SUSPENDED ACOUSTIC CEILING TILE
- (0902) - 6" VINYL BASE
- (0903) - METAL PLATE WALL PANELS
- (0904) - METAL PLATE WALL PANELS WITH CEMENT BOARD BACKING
- (0905) - GYP.BD. OVER METAL STUDS
- (0907) - METAL STUDS WITH GYP.BD. FINISH, SEE STRUCTURAL FOR CONNECTION
- (1101) - DISPLAY COOLER, OFCI
- 2202 - 3 - COMPARTMENT SINK
- 2303 - AIR INTAKE LOW - COORDINATE SIZE W/ POOL EQUIPMENT
- 2304 - EXHAUST HIGH - COORDINATE SIZE W/ POOL EQUIPMENT
- 2305 - 10"X10" MECHANICAL EXHAUST FAN

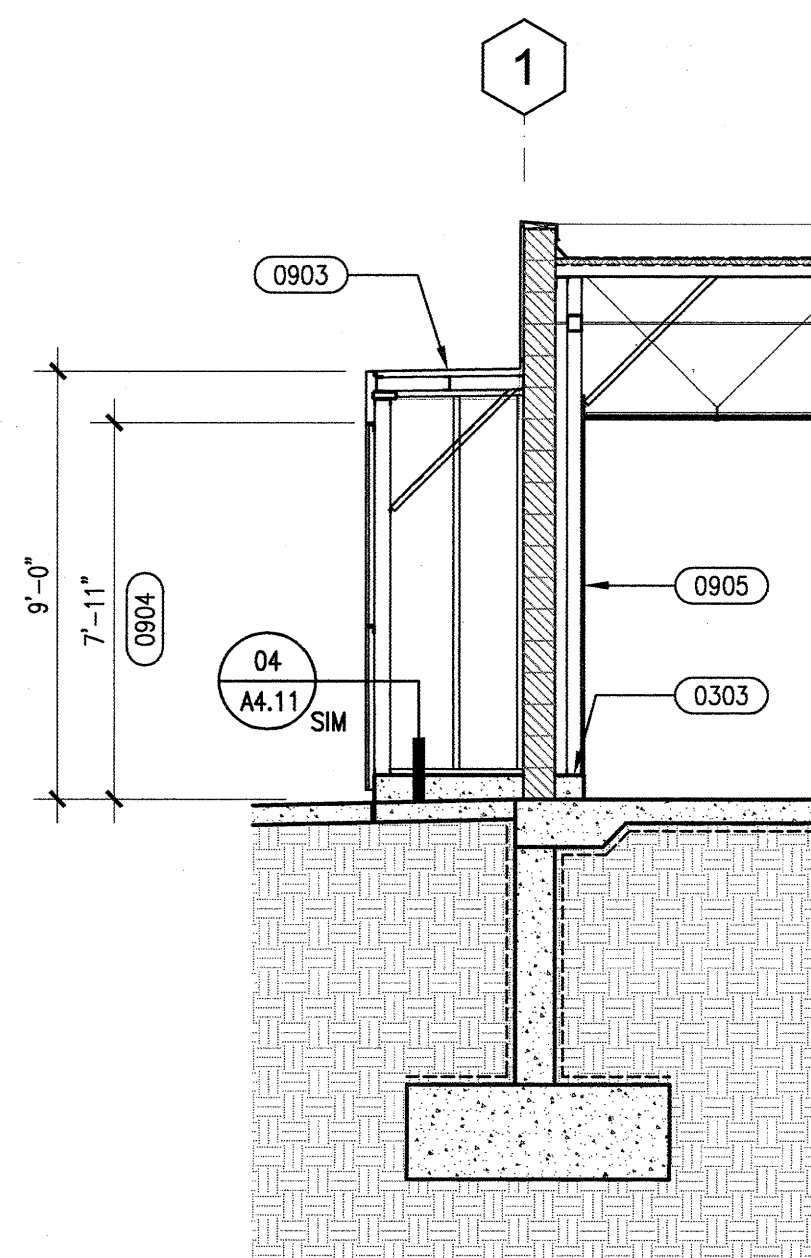


AL - ALUMINUM  
 CLR - CLEAR  
 FRP - FIBERGLASS REINFORCED PANEL  
 GAL - GALVANIZED  
 GL - GLAZING  
 HM - HOLLOW METAL  
 INSL - INSULATED  
 PT - PAINT  
 STL - STEEL  
 SGL - SLIDING GLASS  
 T - TEMPERED GLASS  
 WD - WOOD

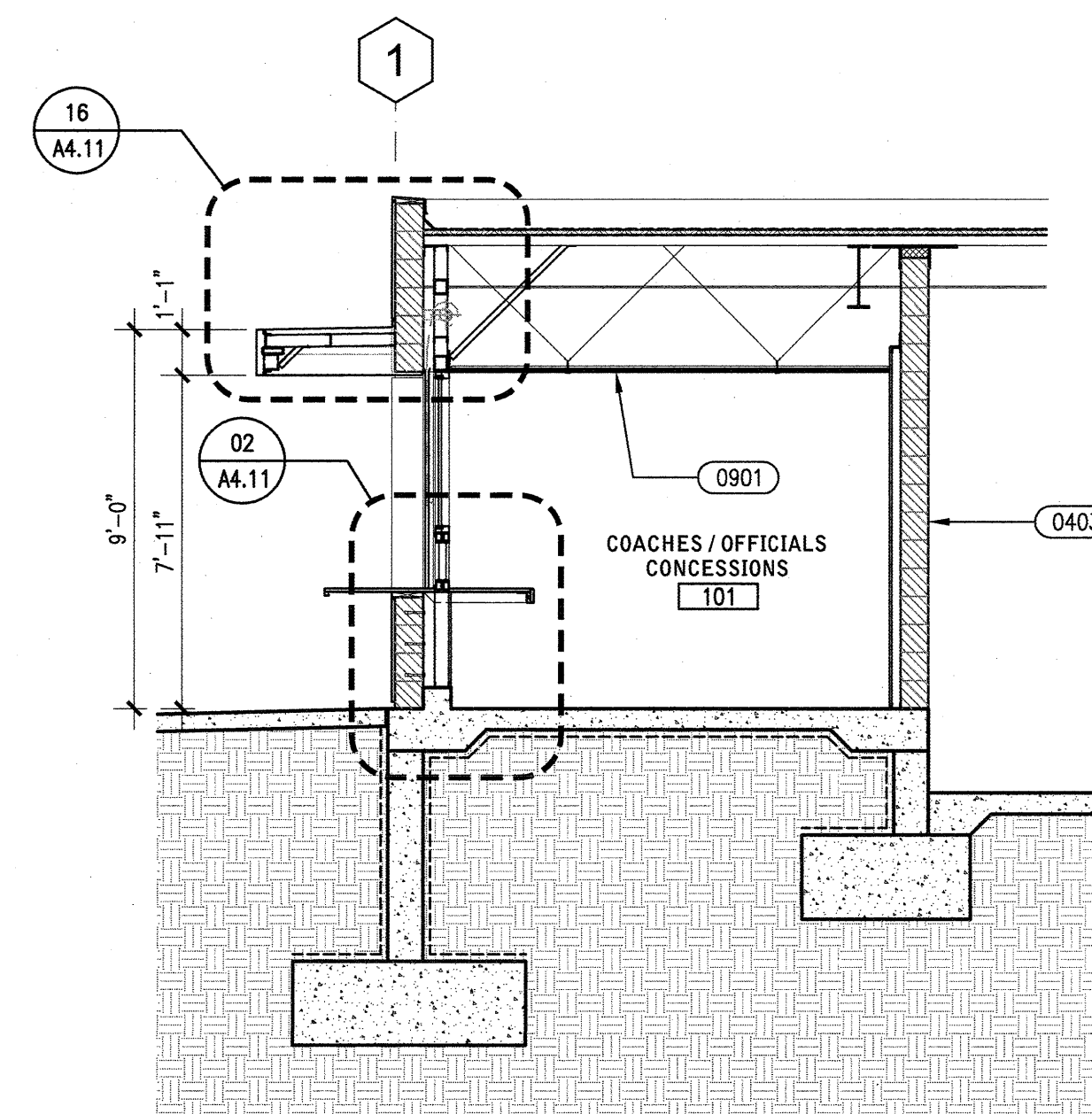
DOOR TYPES 1/4" = 1'-0" 12



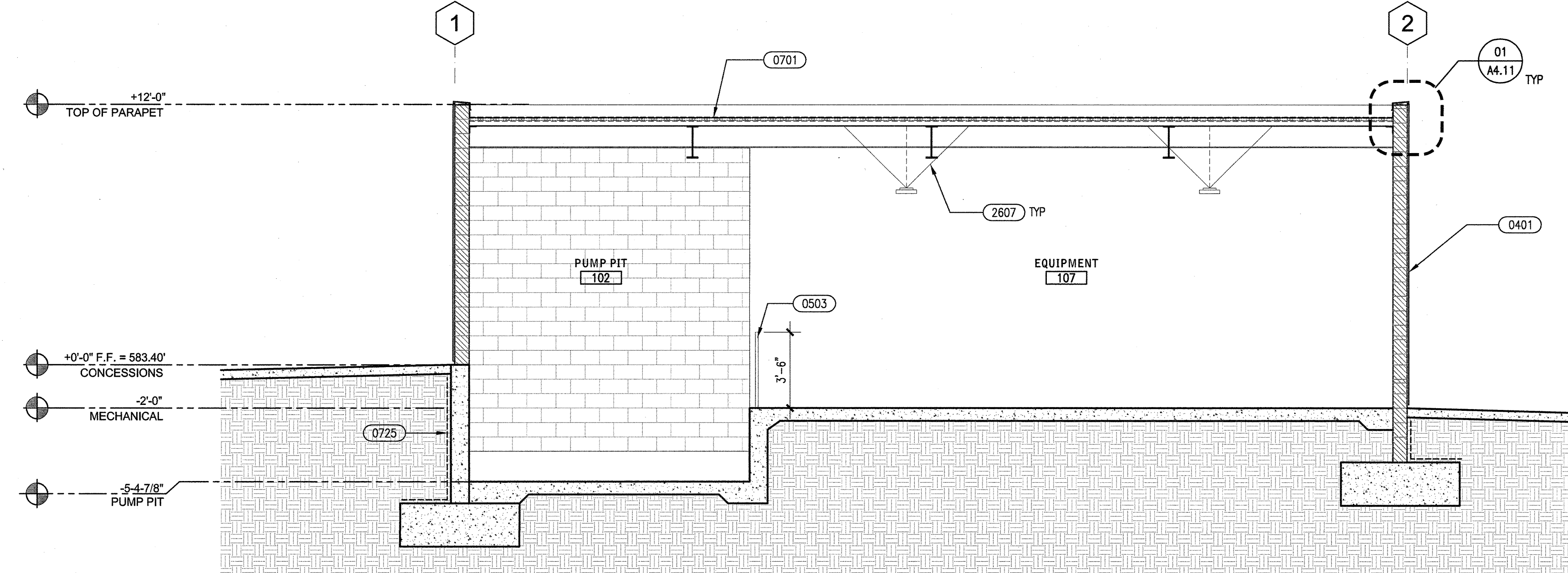
COACHES / OFFICIALS / CONCESSIONS 101 1/4" = 1'-0" 14



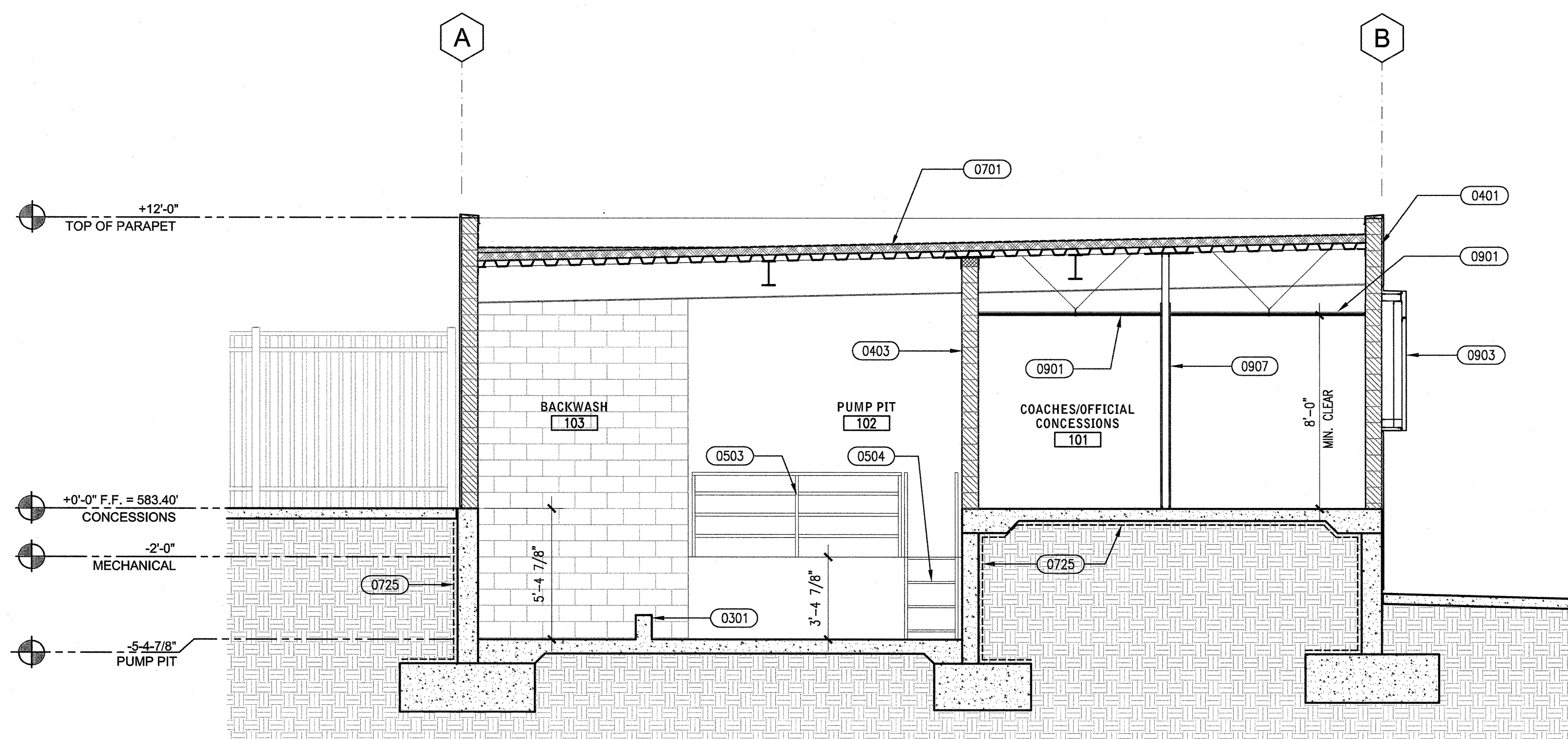
BUILDING SECTION 1/4" = 1'-0" 17



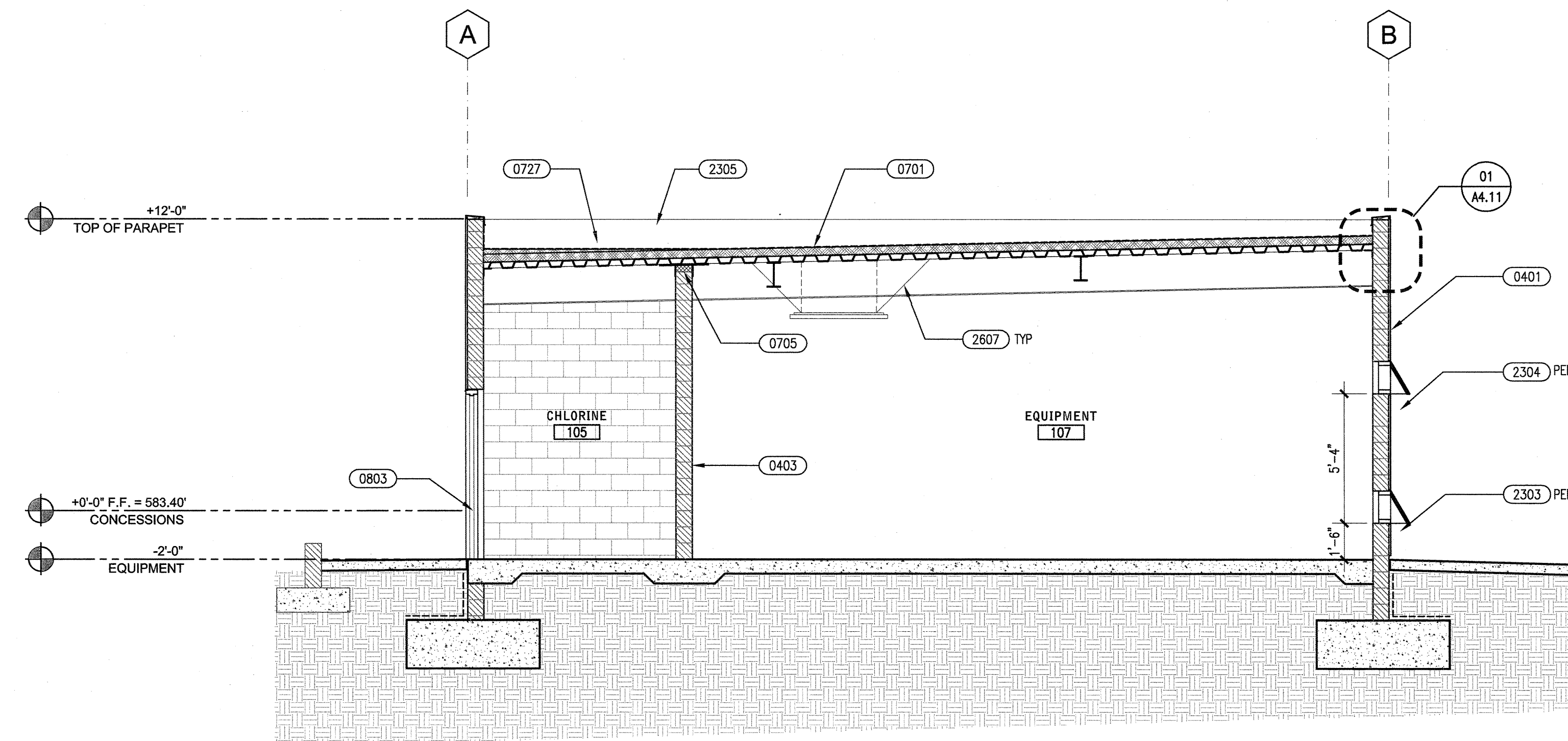
BUILDING SECTION 1/4" = 1'-0" 18



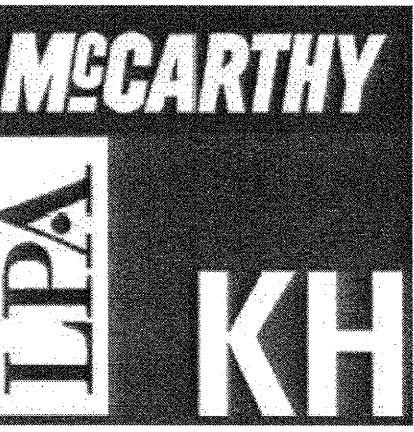
BUILDING SECTION 1/4" = 1'-0" 02



BUILDING SECTION 1/4" = 1'-0" 16



BUILDING SECTION 1/4" = 1'-0" 04



McCarthy Building Companies, Inc.  
 343 Sansome Street, 14th Floor  
 San Francisco, California 94104  
 P 415 364-1339  
 F 415 397-5999



IDENTIFICATION STAMP  
 DIV. OF THE STATE ARCHITECT  
 OFFICE OF REGULATION SERVICE  
 APPL. # 01-110097  
 AC. FLS. SS. D.M.  
 DATE APR 09 2009  
 FILE NUMBER:

This set of other project documents and all data, analysis, and design incorporated herein are the property of SPA, Inc. (SPA) and cannot be used for any other project or purpose except as described in the contractual agreement between SPA and the client. SPA hereby grants the client the right to use the project documents for the construction of the project. SPA reserves the right to modify or amend SPA and SPA's Consultants in the future without notice. SPA and SPA's Consultants shall not be held responsible for any errors or omissions in the project documents. SPA and SPA's Consultants shall not be held responsible for any errors or omissions in the project documents. SPA and SPA's Consultants shall not be held responsible for any errors or omissions in the project documents. SPA and SPA's Consultants shall not be held responsible for any errors or omissions in the project documents.

Copyright 2009

College of San Mateo  
 Site Package  
 San Mateo, CA  
 Developed for  
 San Mateo County Community College District

Date	Revision	Description
09 APRIL 2009	01	DSR SUBMITTAL
07 APRIL 2009	02	DSR FINAL

Job No. (FILED IN 27082.20) 27082.30  
 Date 09 APRIL 2009  
 Drawn by JR  
 Checked by HR  
 Scale AS SHOWN

SECTIONS,  
 DOOR SCHEDULE &  
 INTERIOR ELEV.

A3.11