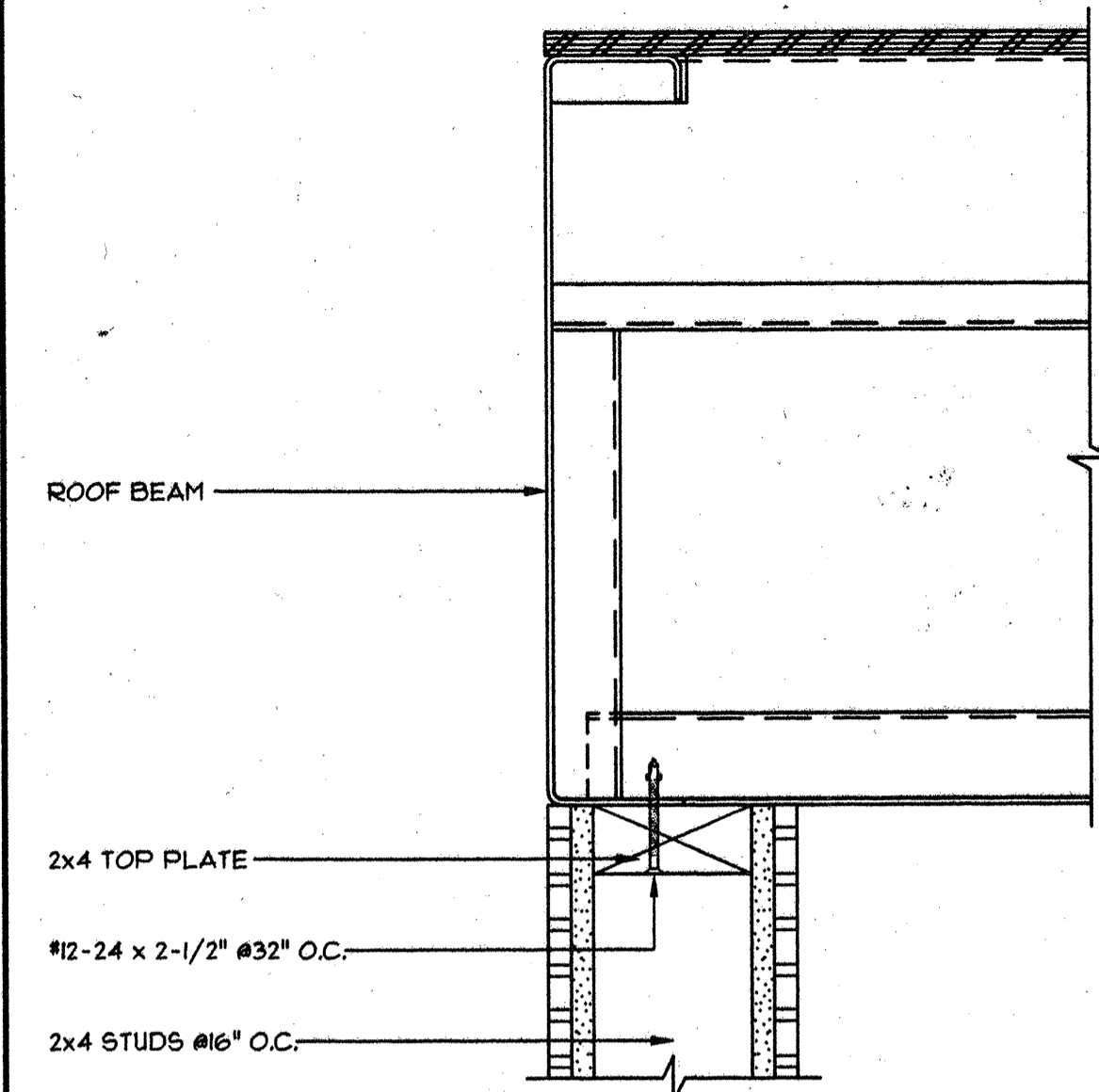
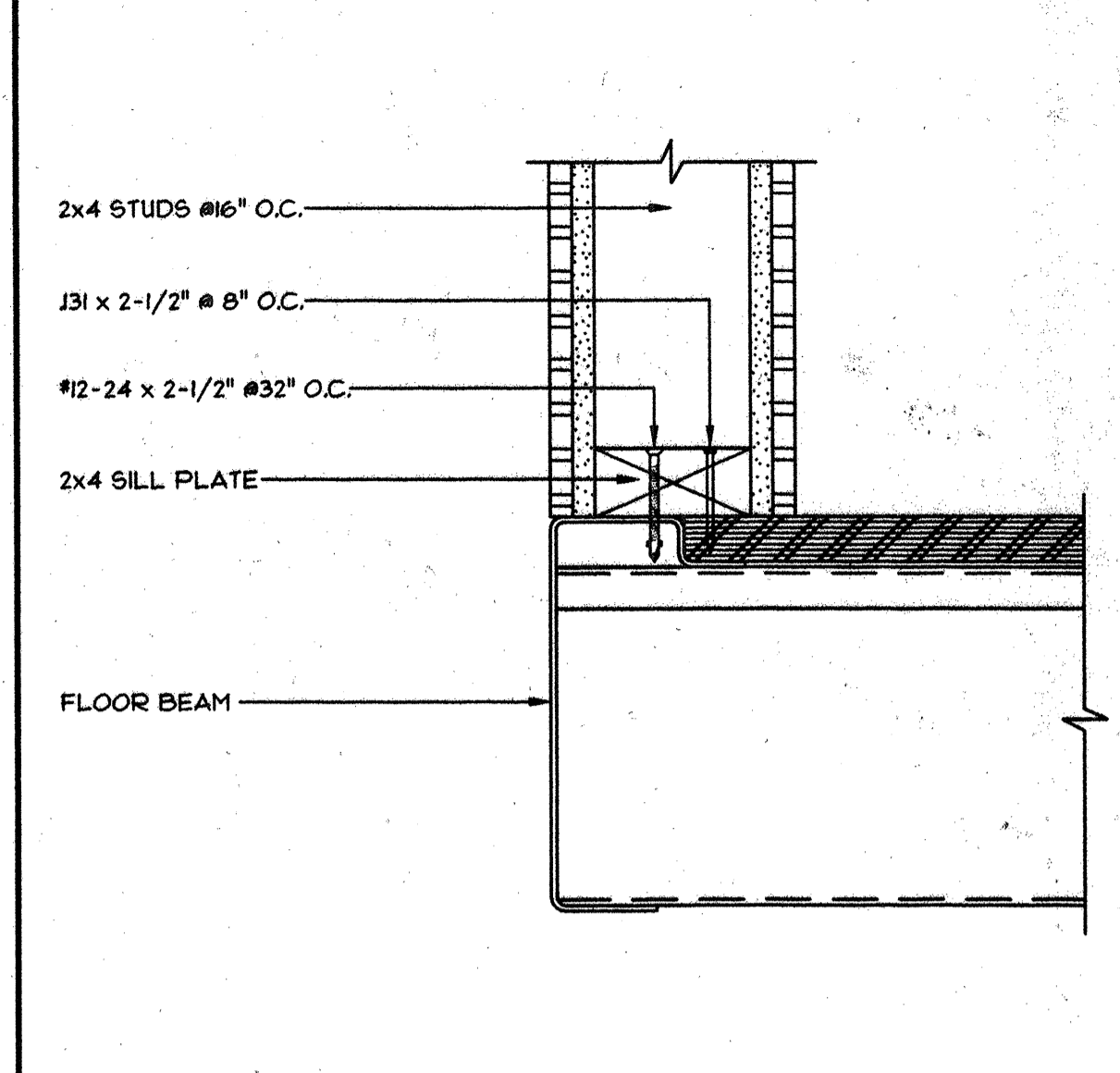


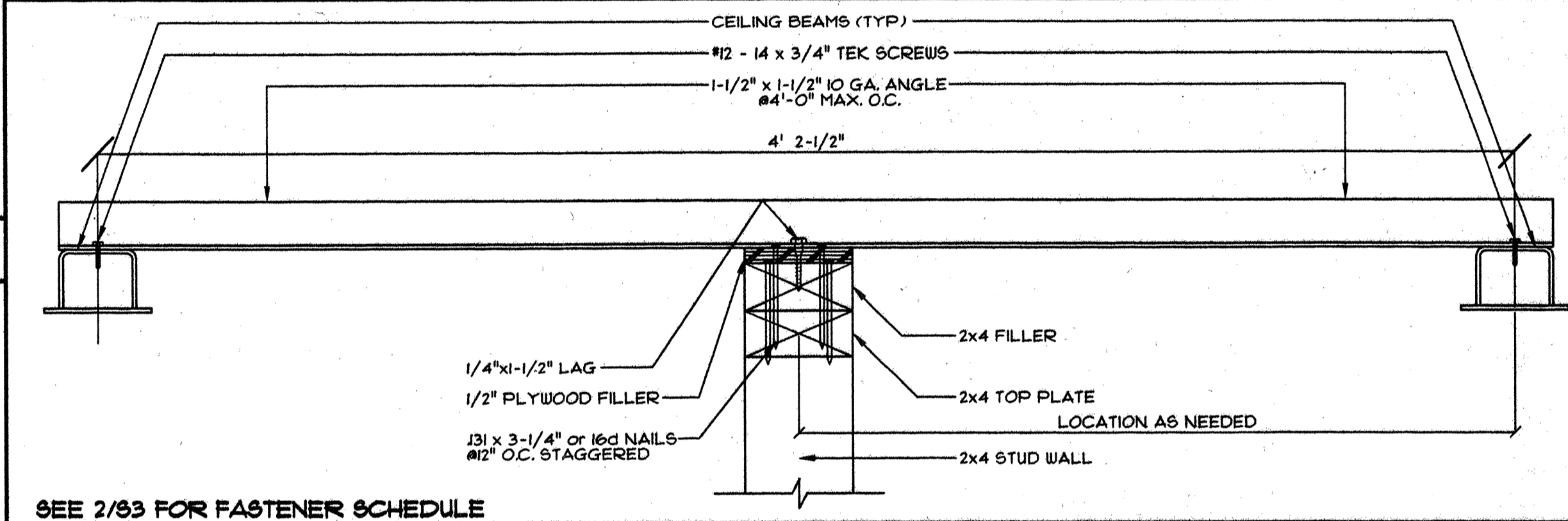
1 ALTERNATE EXTERIOR HVAC MECHANICAL & REFLECTED CEILING PLAN
SCALE: 1/4"=1'-0"



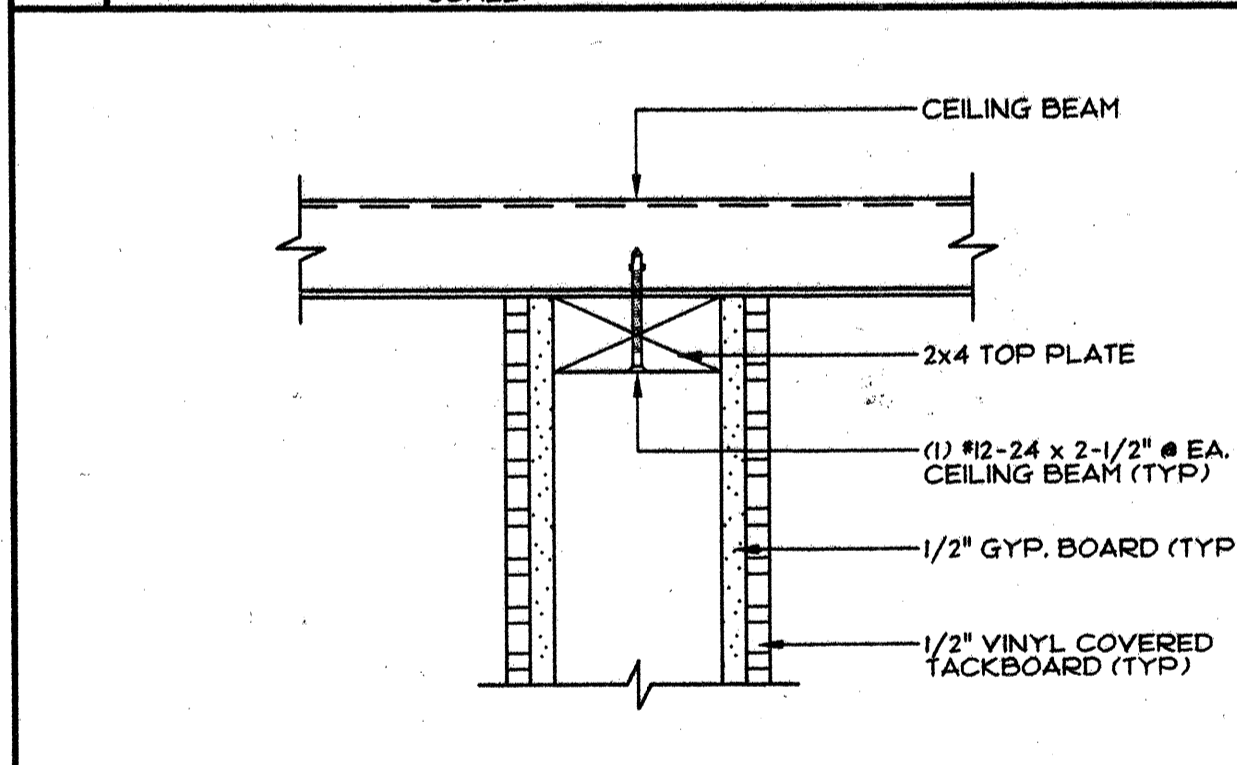
2 WALL ATTACHMENT @ ROOF BEAM
SCALE: 3/4"=1'-0"



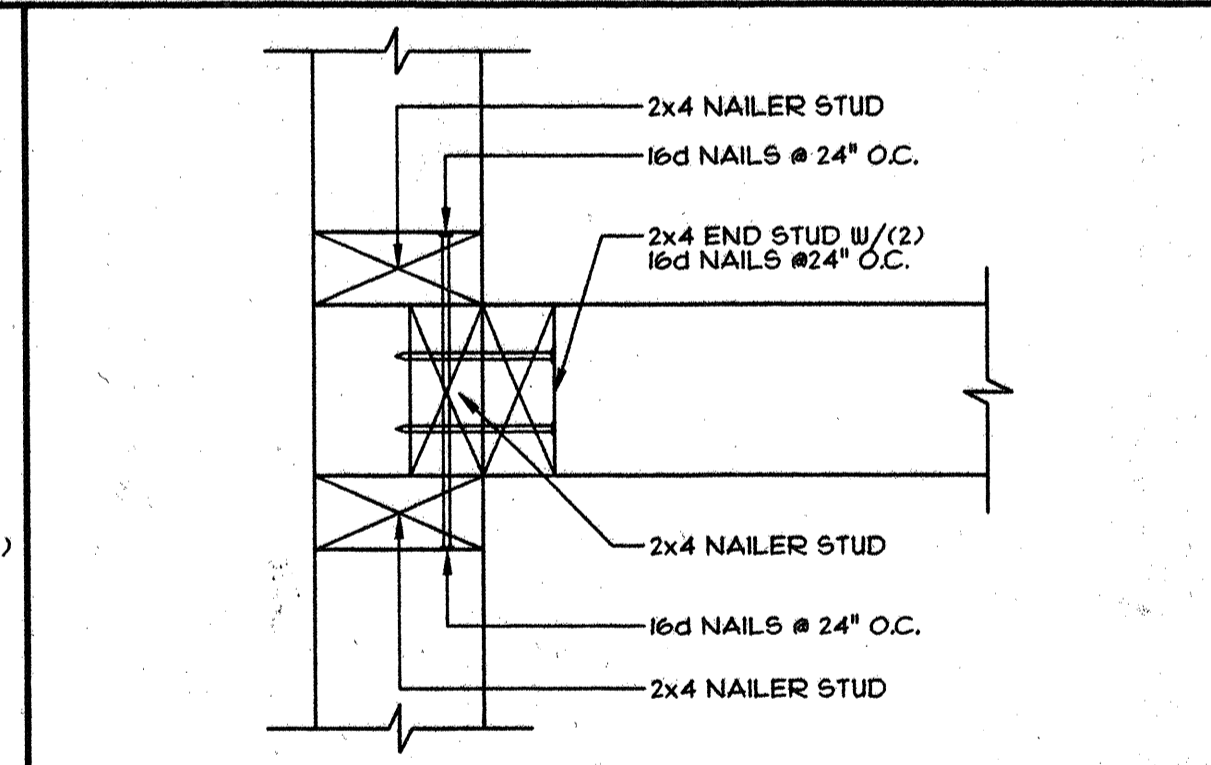
3 WALL ATTACHMENT @ FLOOR BEAM
SCALE: 3/4"=1'-0"



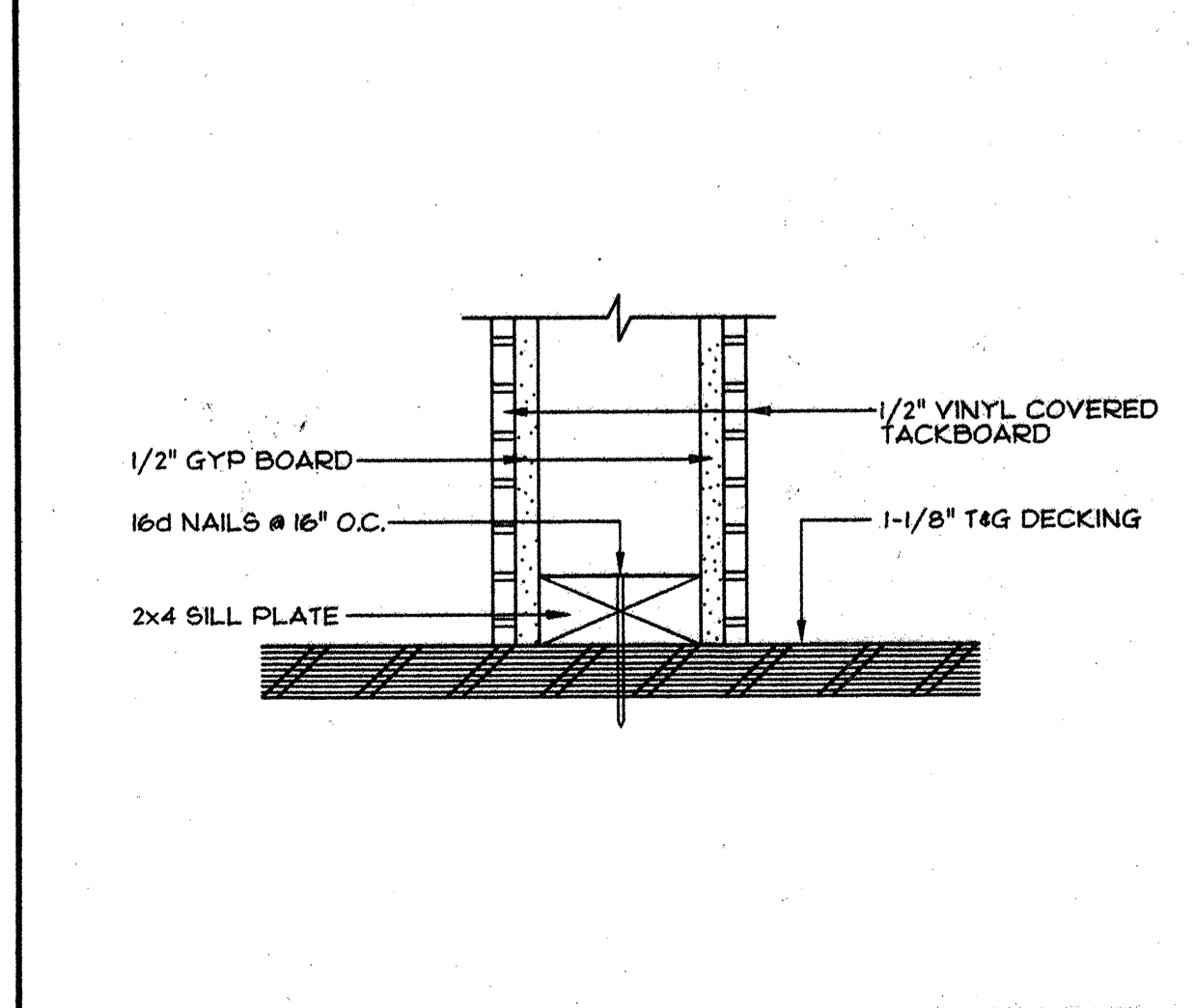
4 WALL FASTENING @ TOP PLATE BETWEEN CEILING BEAMS
SCALE: 3/4"=1'-0"



5 WALL & CEILING ATTACHMENT DETAIL
SCALE: 3/4"=1'-0"



6 WALL TO WALL ATTACHMENT DETAIL
SCALE: 3/4"=1'-0"



7 WALL TO FLOOR ATTACHMENT DETAIL
SCALE: 3/4"=1'-0"

DIVISION OF THE STATE ARCHITECT

IDENTIFICATION STAMP
DIVISION OF THE STATE ARCHITECT
KENNETH M. PURCELL
0014306
2/28/03
DATE

PC

IDENTIFICATION STAMP
DIVISION OF THE STATE ARCHITECT
02-101236
AC: FLS: SS: 11/14/99
DATE

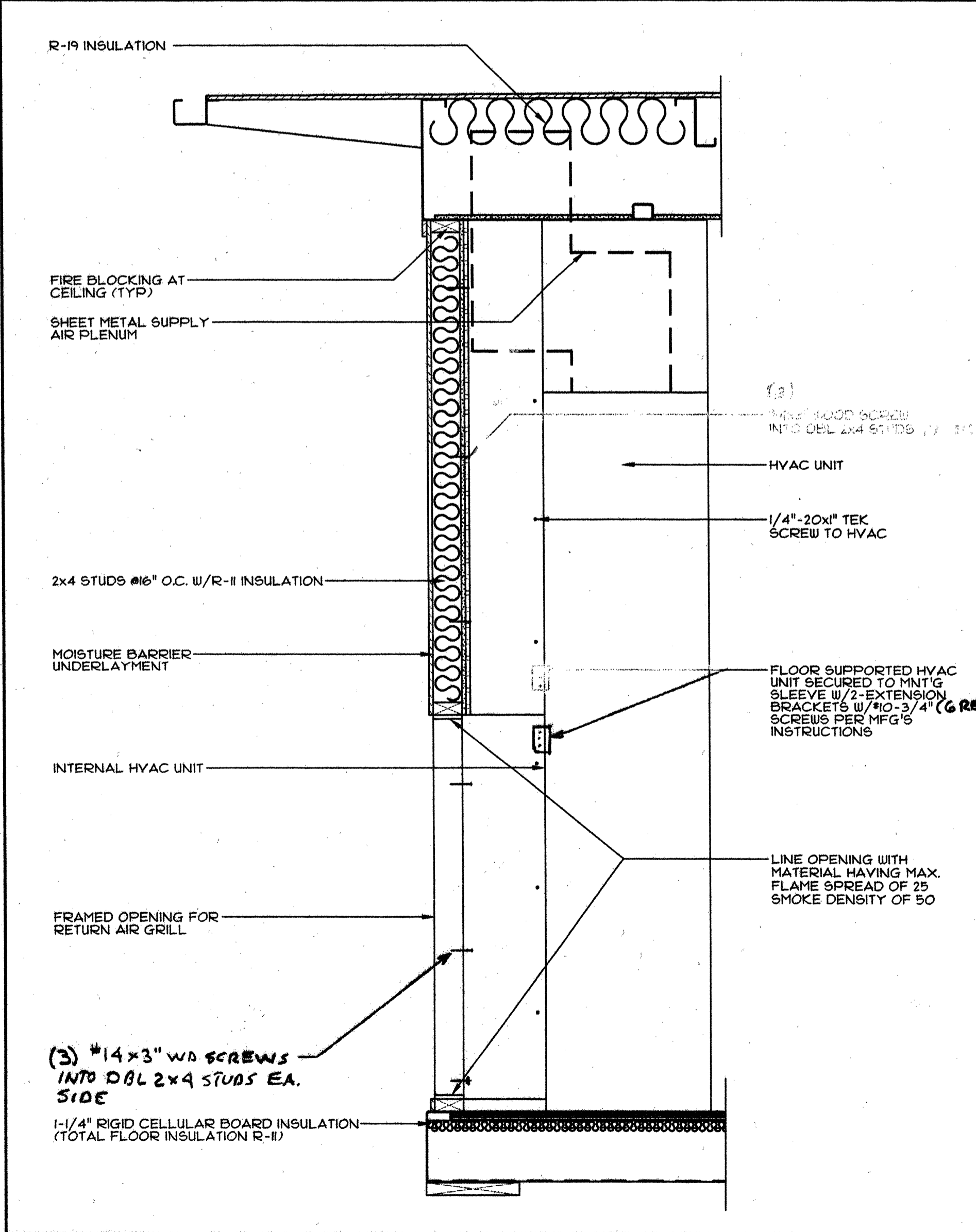
DESIGN CRITERIA

ROOF: DEAD LOAD - 8.0 PSF
ROOF: LIVE LOAD - 20.0 PSF (SNOW)

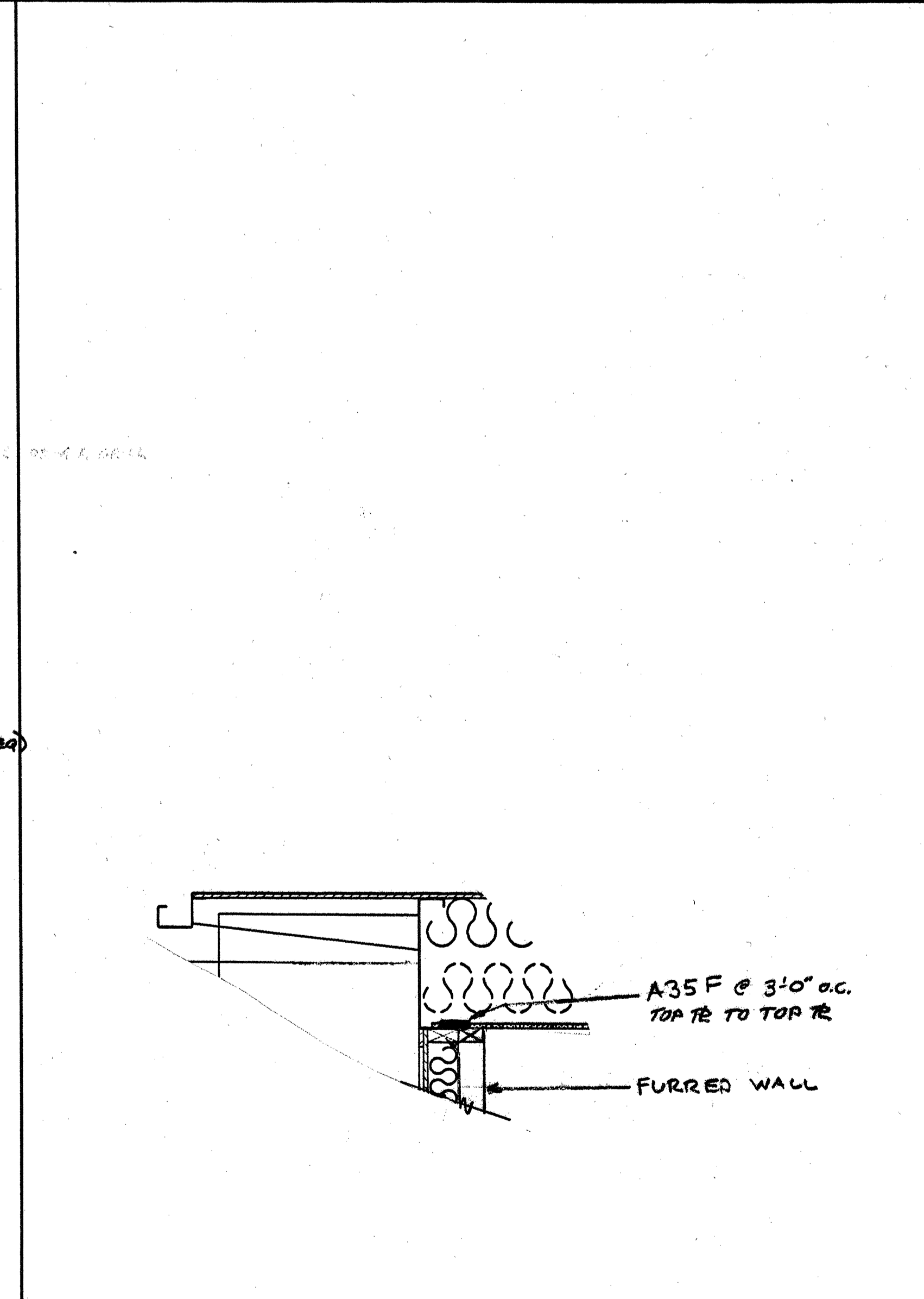
FLOOR: DEAD LOAD - 8.0 PSF
FLOOR: LIVE LOAD - 50.0 PSF
(OPTIONAL) FLOOR: LIVE LOAD - 70.0 PSF
(OPTIONAL) FLOOR: LIVE LOAD - 125.0 PSF

WALLS: DEAD LOAD - 8.0 PSF
WIND: 60 MPH; EXPOSURE: C
qs=16.4 PSF; Cs=1.06; Cq AS REQ.
SSMIG: ZONE 4, R=4.5, S=2.0, I=1.5, G=0.44, H=2.0, C=64H

CONFIDENTIAL MATERIAL - THESE DOCUMENTS ARE THE PROPERTY OF AND ARE NOT TO BE REPRODUCED OR DISTRIBUTED WITHOUT FULL KNOWLEDGE AND WRITTEN CONSENT FROM ENVIROPLEX, INC.
© COPYRIGHT 1999 ENVIROPLEX, INC. (ALL DRAWINGS PREPARED BY ENVIROPLEX, INC.)

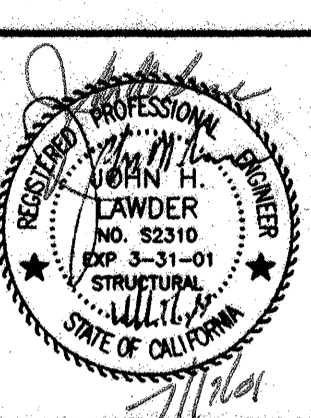


9 HVAC @ WALL SECTION
SCALE: 1/4"=1'-0"



10 FURRED WALL TOP PLATE ATTACHMENT
SCALE: 1/4"=1'-0"

JH Lawder, Inc.
Structural Engineers
717 10th Street
Stockton, CA 95215
(209) 551-1143
(209) 551-1106



ENVIROPLEX, INC.
4777 E. CARPENTER ROAD STOCKTON, CA. 95215

ALTERNATE MECHANICAL & REFLECTED CEILING - PLAN - DETAILS

REVISION DATE: BY:

DATE:

THIS MODULAR BLDG. HAS BEEN ENGINEERED BY A REGISTERED STRUCTURAL ENGINEER AND PREVIOUSLY REVIEWED & APPROVED BY THE DIVISION OF THE STATE ARCHITECT, FIRE & LIFE SAFETY AND ACCESS COMPLIANCE SECTION

A2A