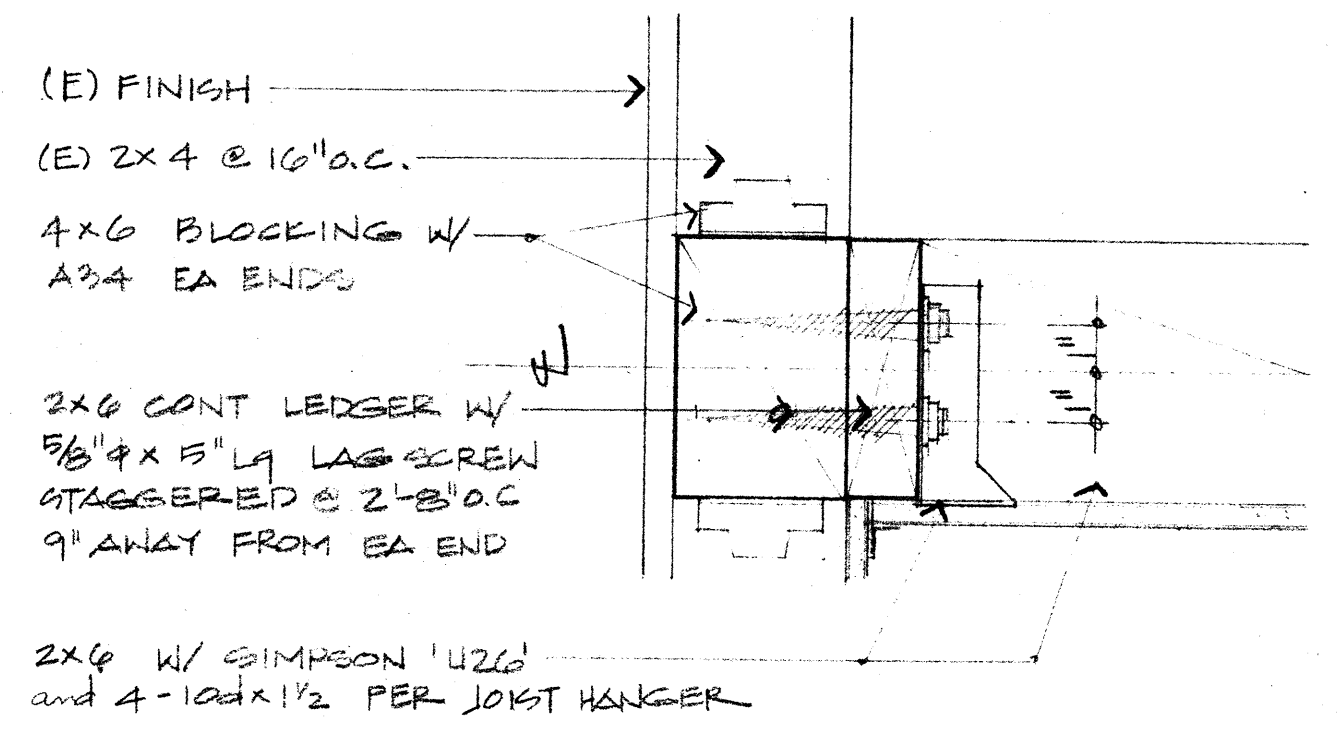


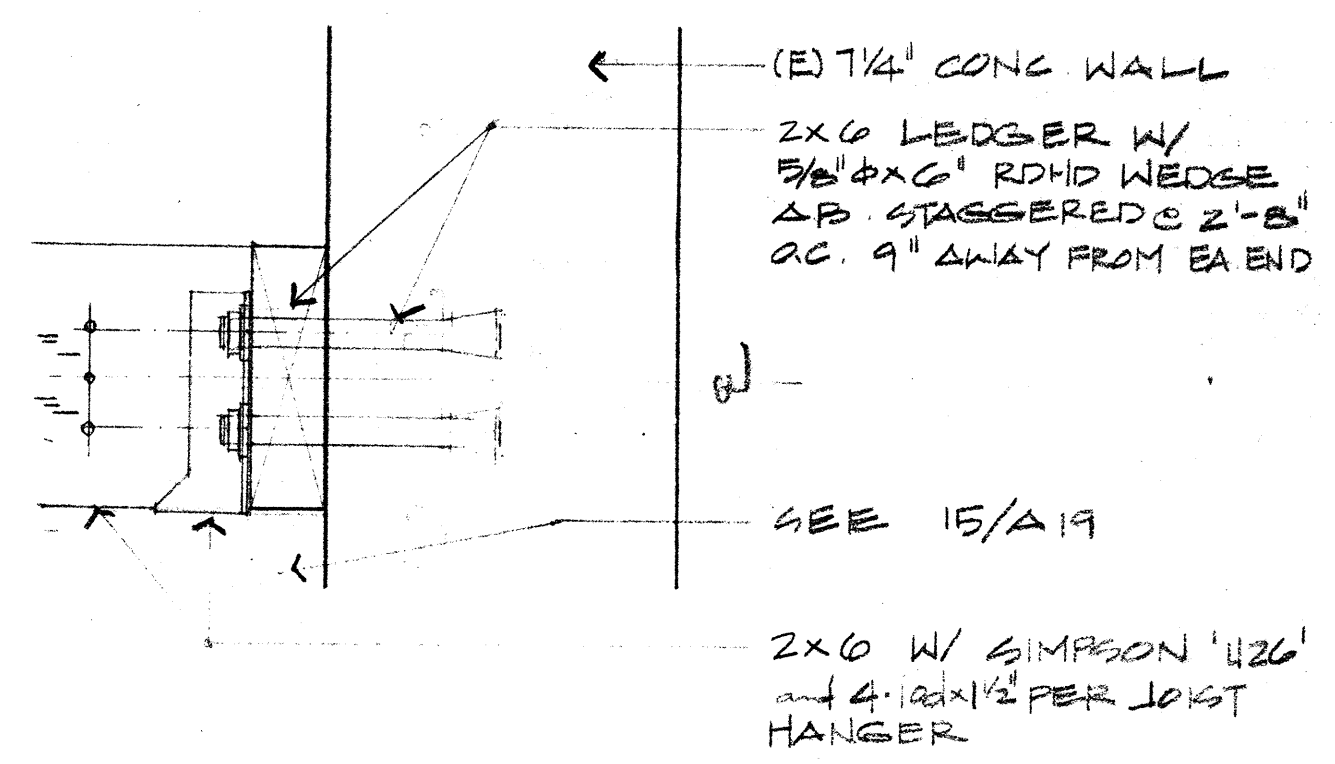
STAIR SECTION

SCALE: 1" = 1'-0"

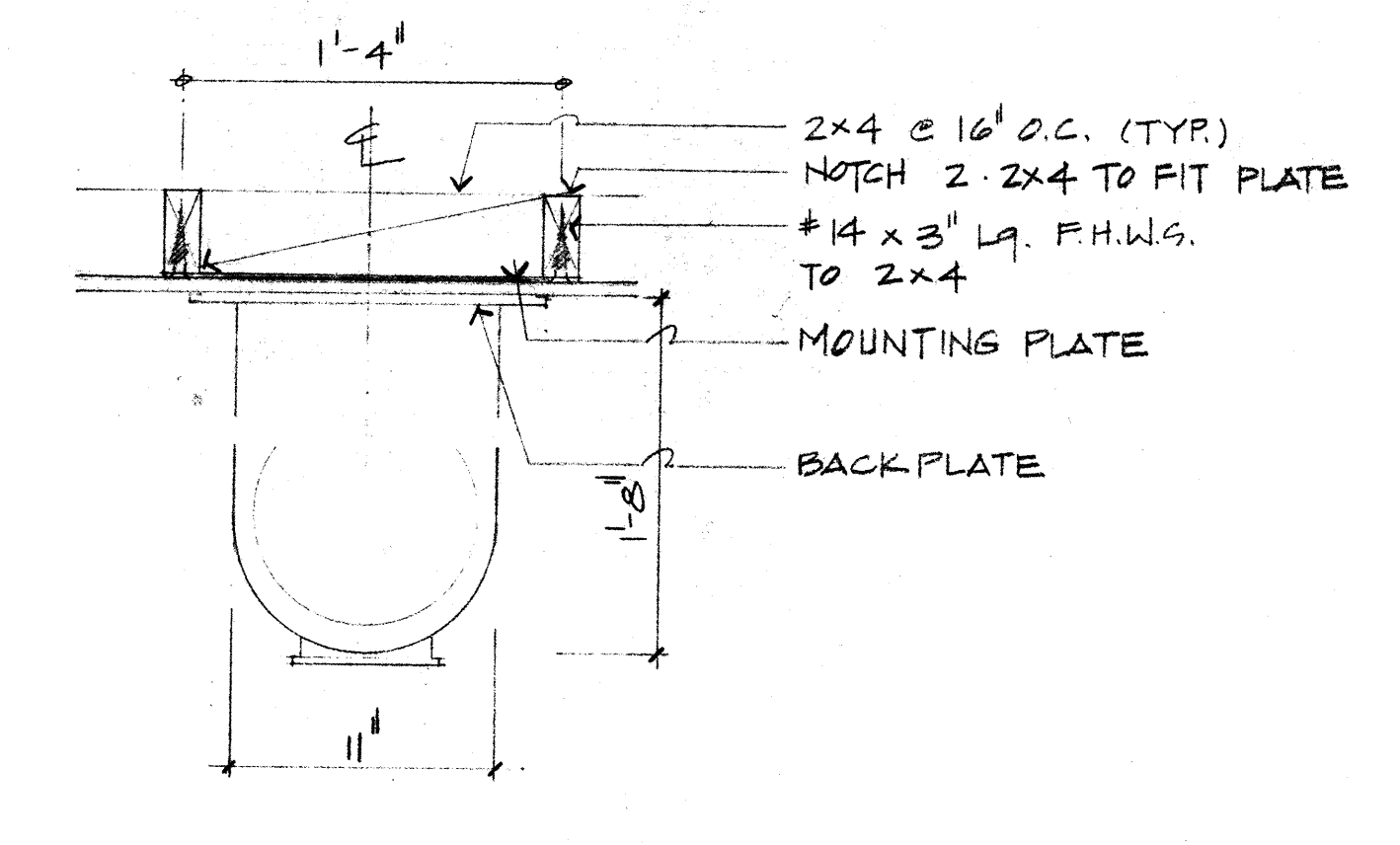
10



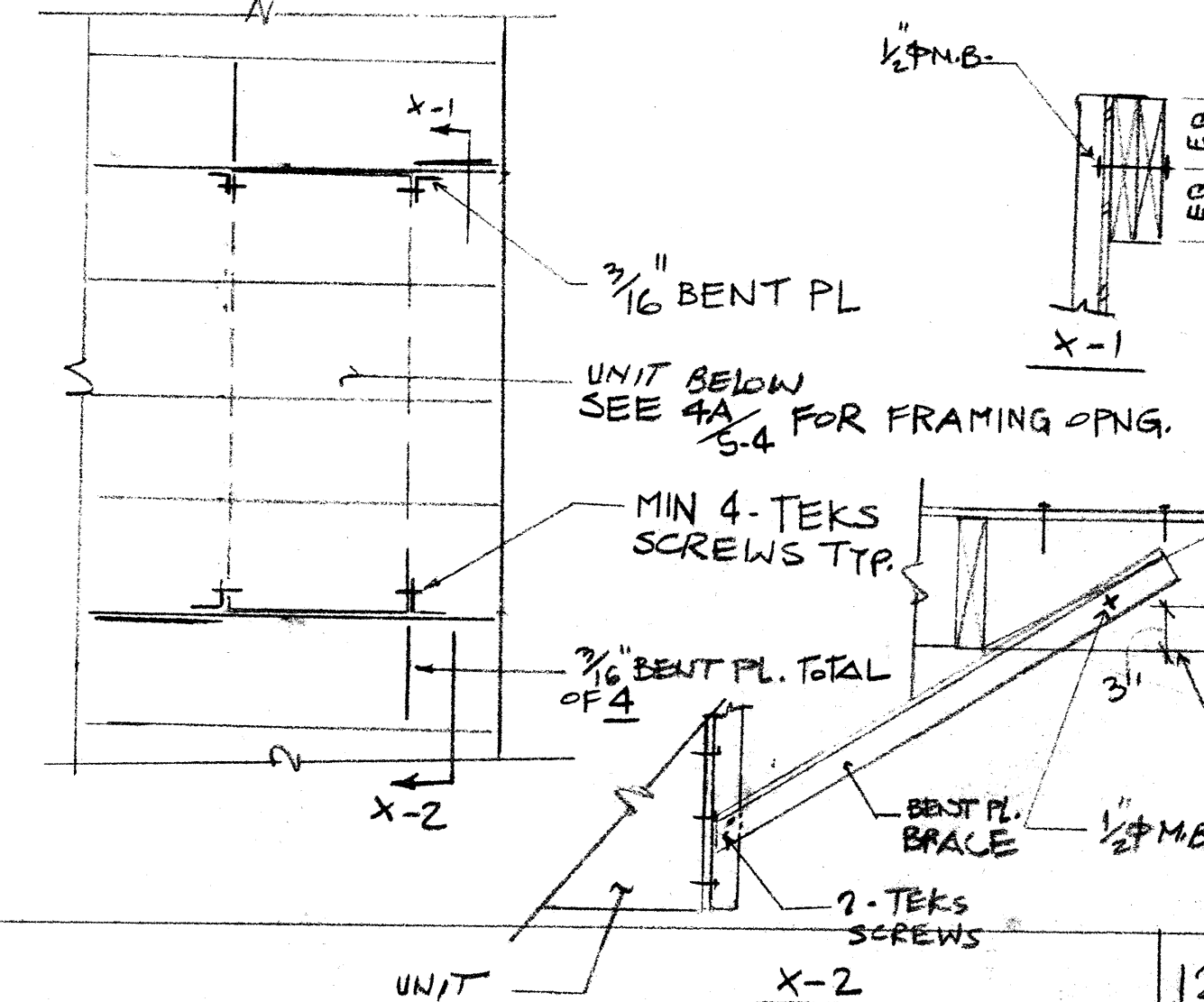
SECTION 3" = 1'-0" 14



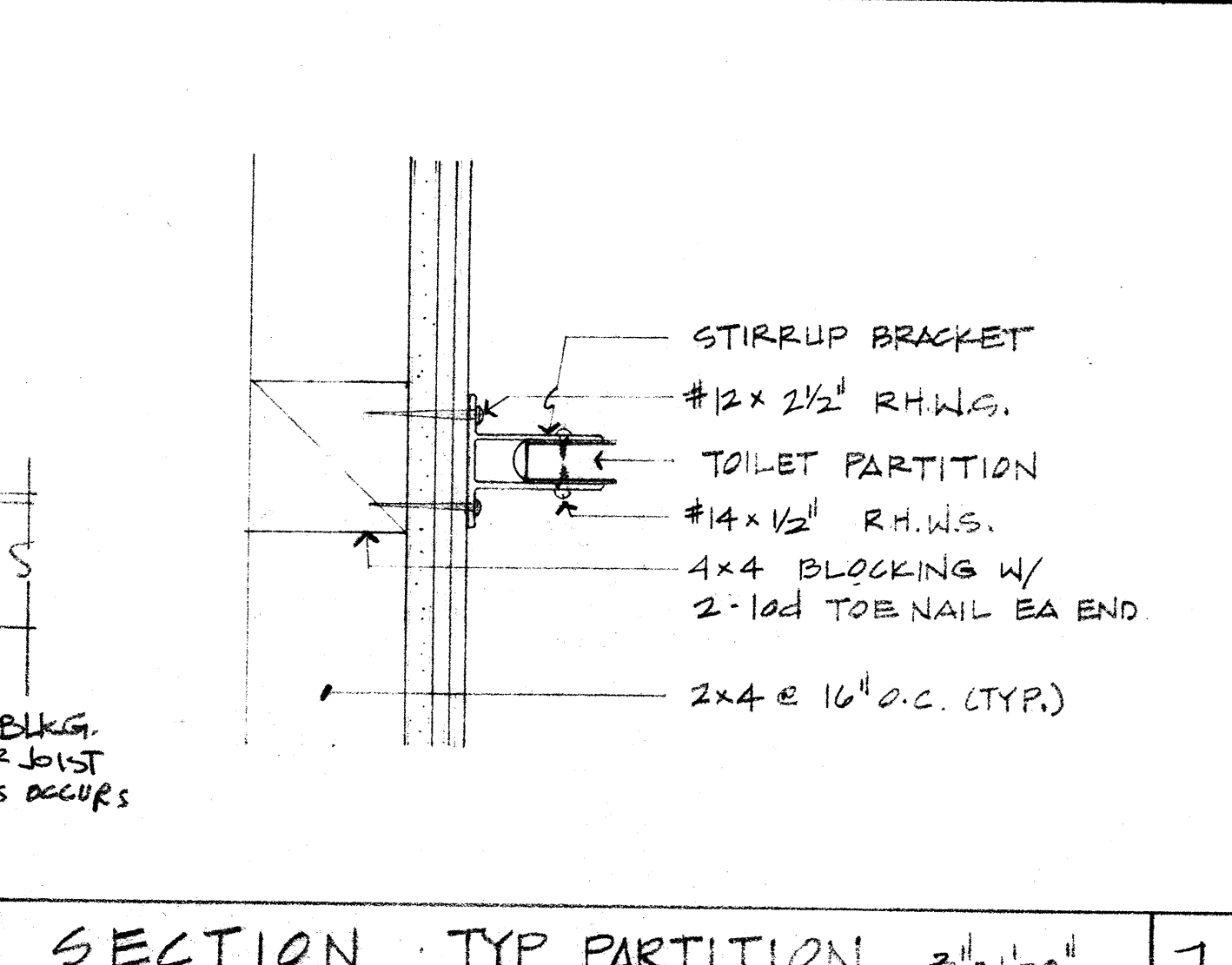
SECTION 3" = 1'-0" 13



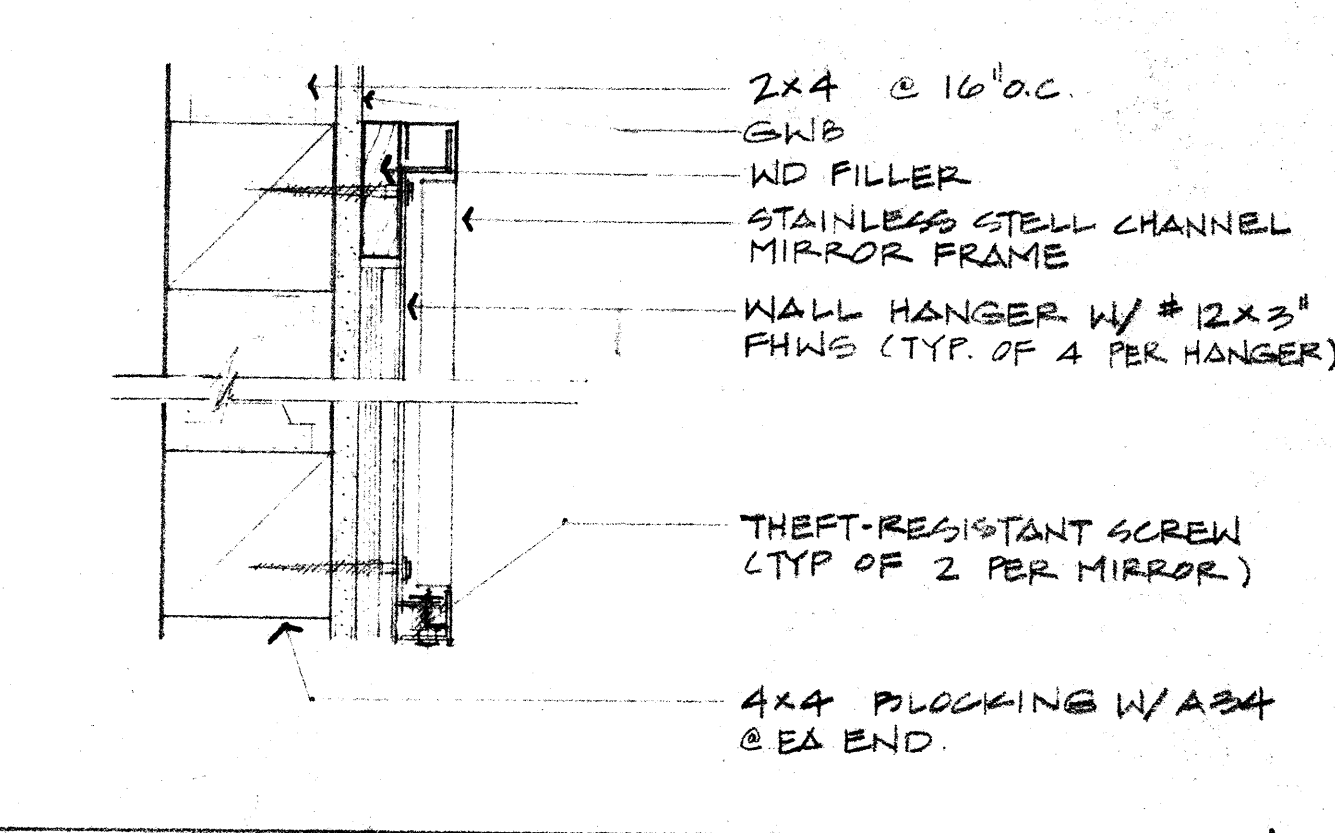
PLAN DRINKING FOUNTAIN 1/2" = 1'-0" 8



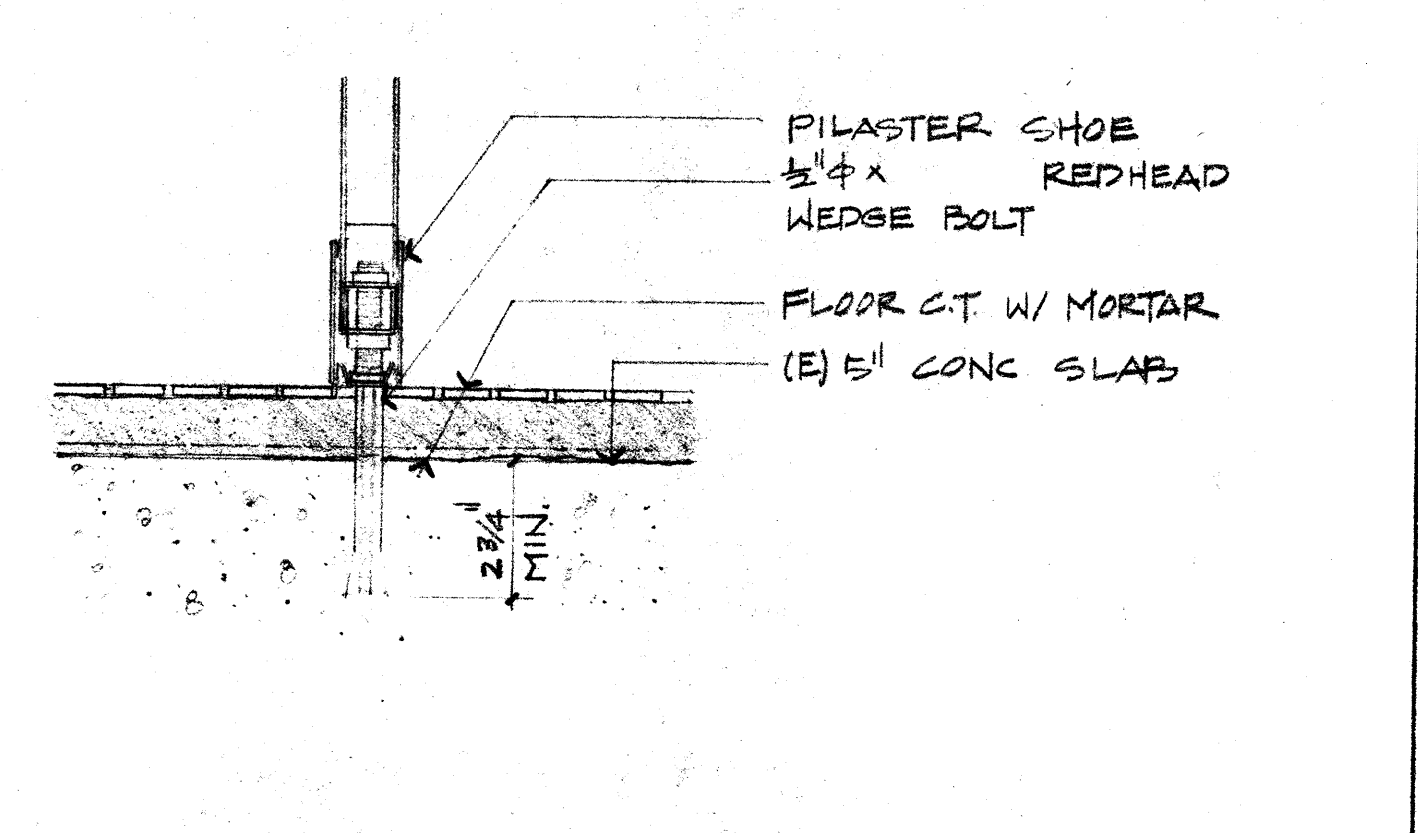
SECTION TYP. PARTITION 3" = 1'-0" 12



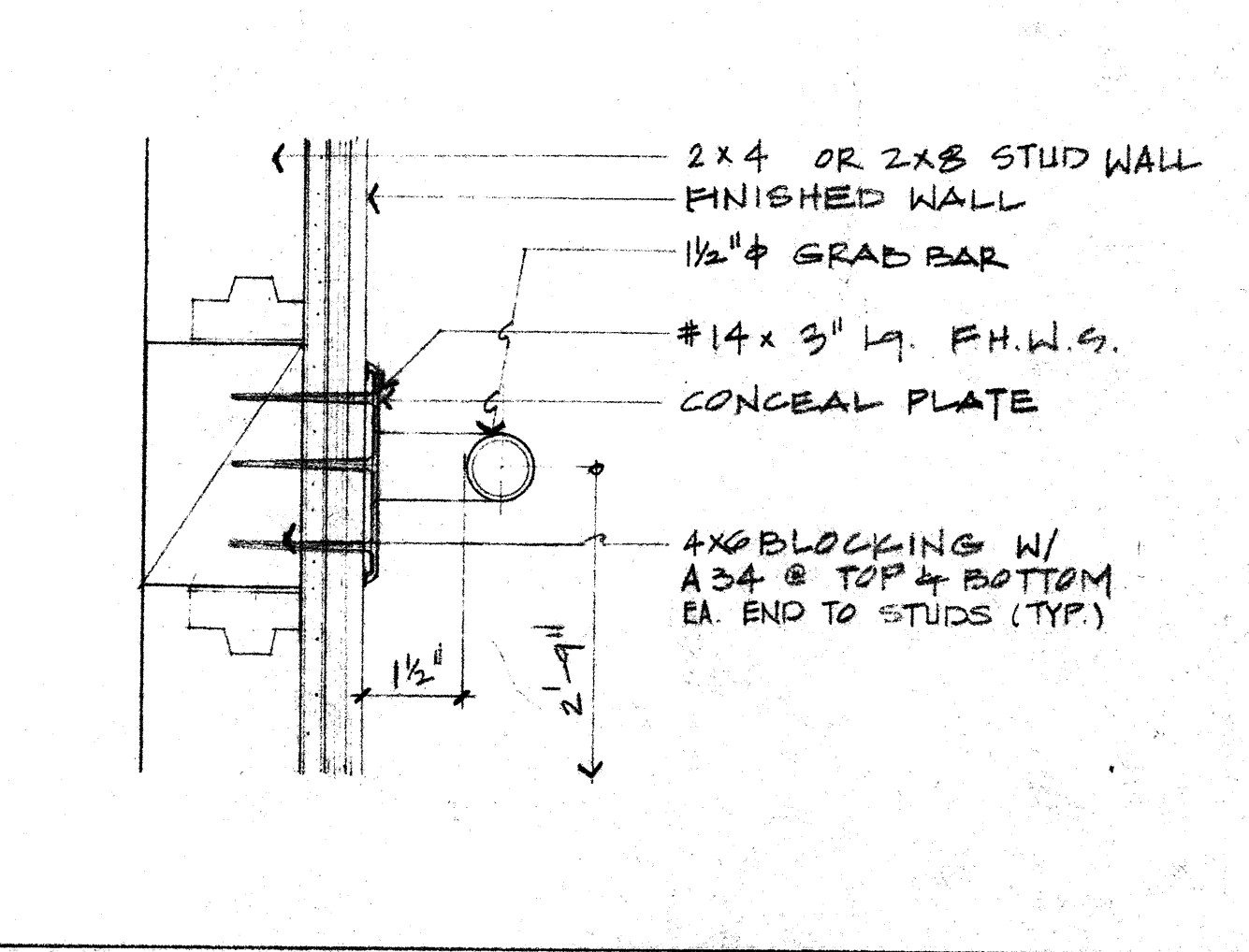
SECTION TYP. URINAL 1/2" = 1'-0" 3



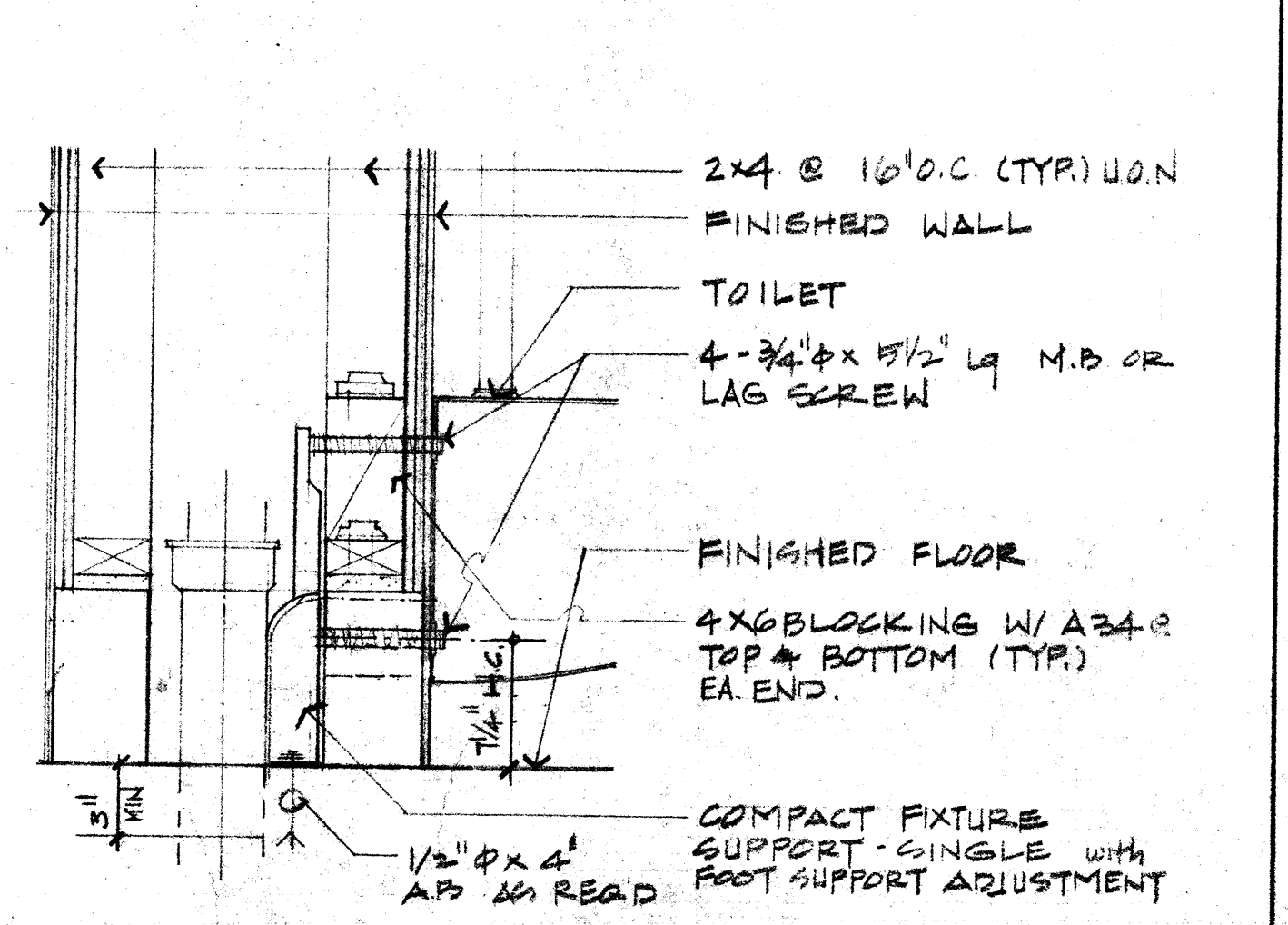
SECTION TYP. MIRROR 3" = 1'-0" 11



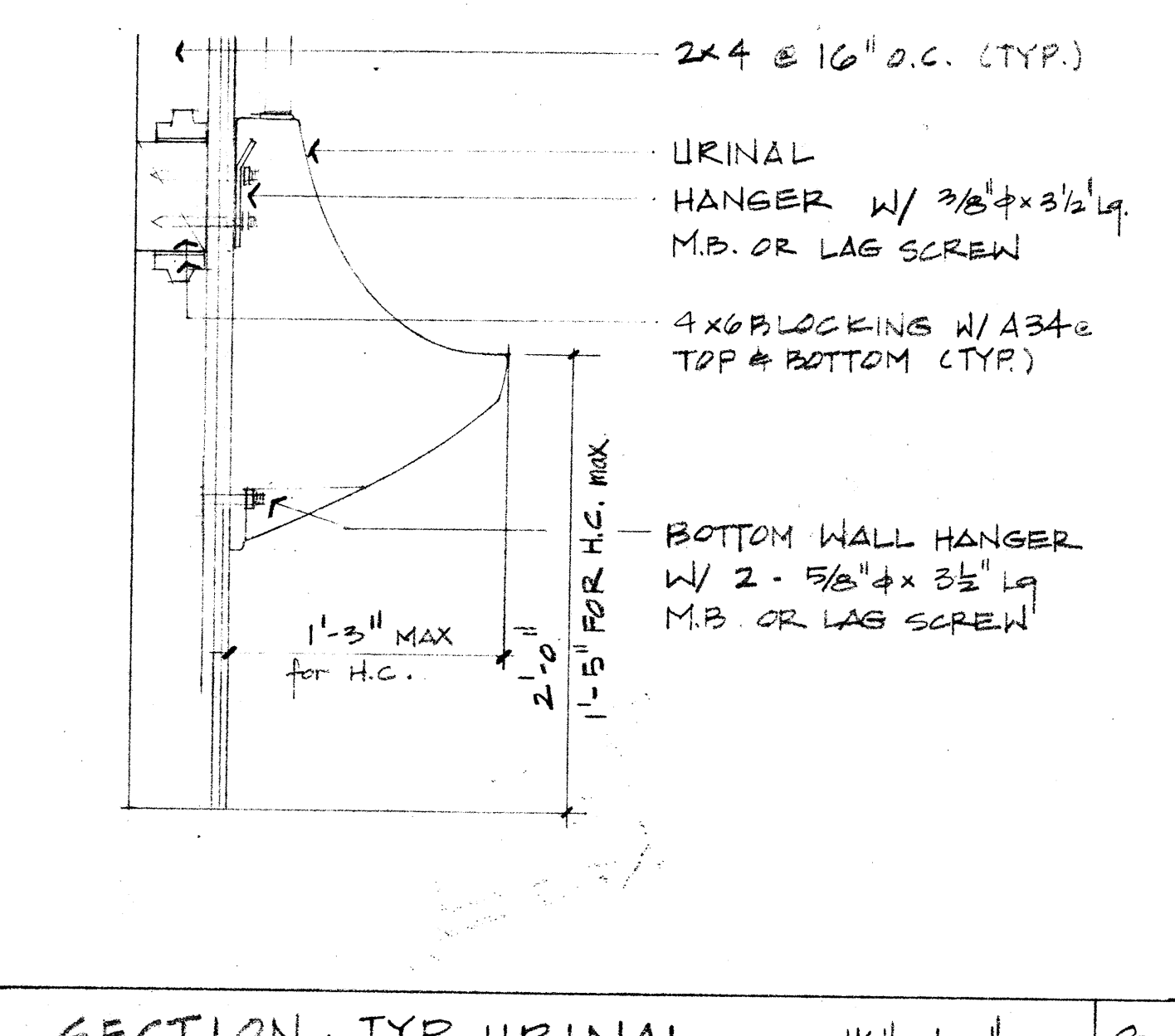
SECTION TYP. PILASTER 3" = 1'-0" 6



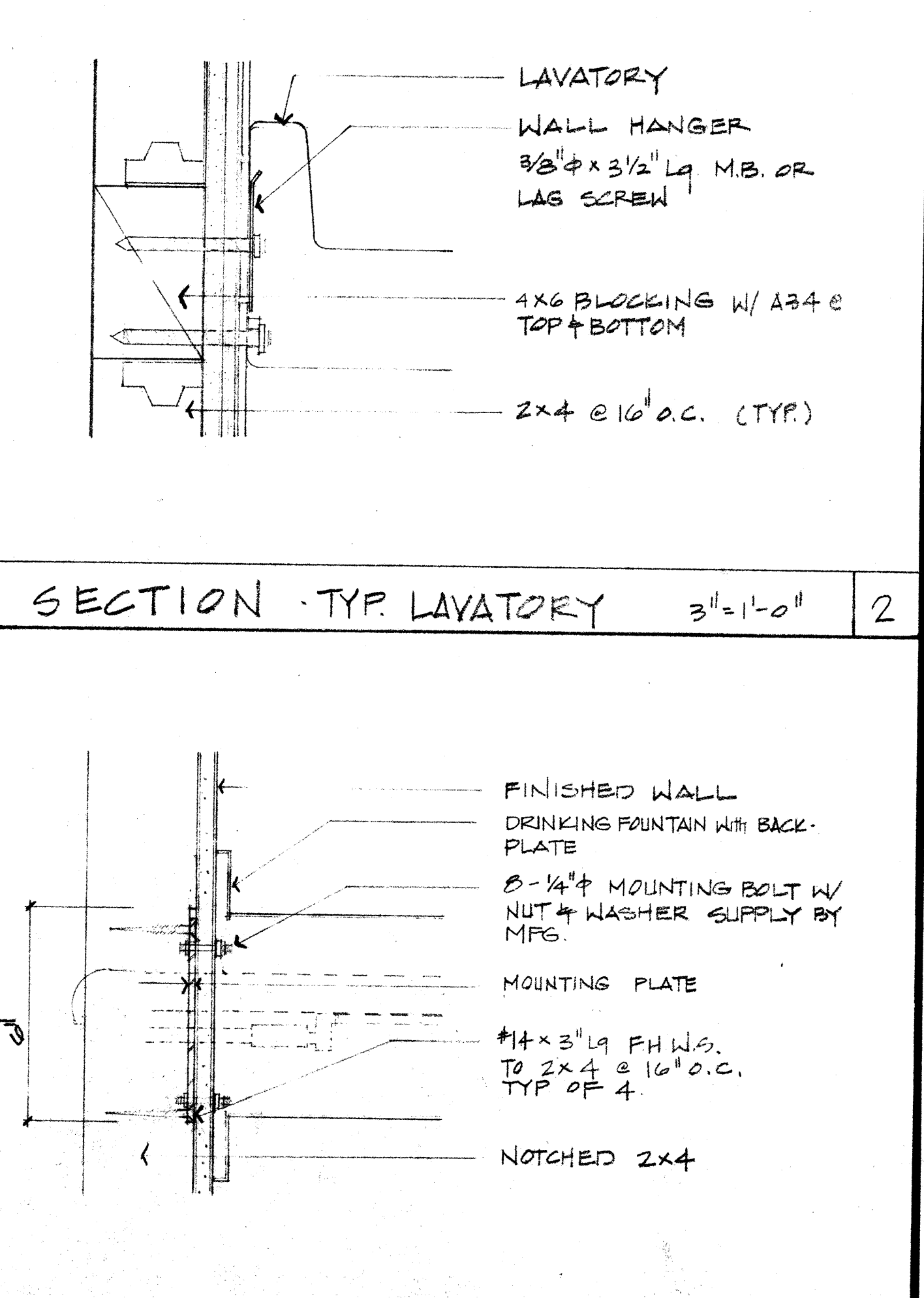
SECTION TYP. GRAB BAR 3" = 1'-0" 9



SECTION TYP. TOILET 1/2" = 1'-0" 5



SECTION TYP. LAVATORY 3" = 1'-0" 2



SECTION DRINKING FOUNTAIN 3/4" = 1'-0" 1

PSA - STRUCTURAL SAFETY SECT.

IDENTIFICATION STAMP
Department of General Services
Office of the State Architect
APR 1 1990
Architect's Seal
Walter L. Keller
Professional Seal
No. 53721
Expires 12/14/90

S.F.M. STATE FIRE MARSHAL
COMMUNITY STATE FIRE MARSHAL

OFFICE OF THE STATE ARCHITECT
Architect's Seal
No. 53721
Expires 12/14/90

95A - ACCESS COMPLIANCE SECT.

REV. 8-22-90

KELLER AND DASEKING ARCHITECTS
WALTER L. KELLER A.I.A.
WILLIAM H. DASEKING A.I.A.
825 OAK GROVE AVENUE
MENLO PARK, CA 94025-4150/922-5396
C. 1334

AUTOMOTIVE CLASSROOM BUILDING
TOILET ROOM RENOVATIONS
SKYLINE COLLEGE
SAN MATEO COUNTY COMMUNITY COLLEGE DISTRICT

8906
3.12.90
A20
22 & 41