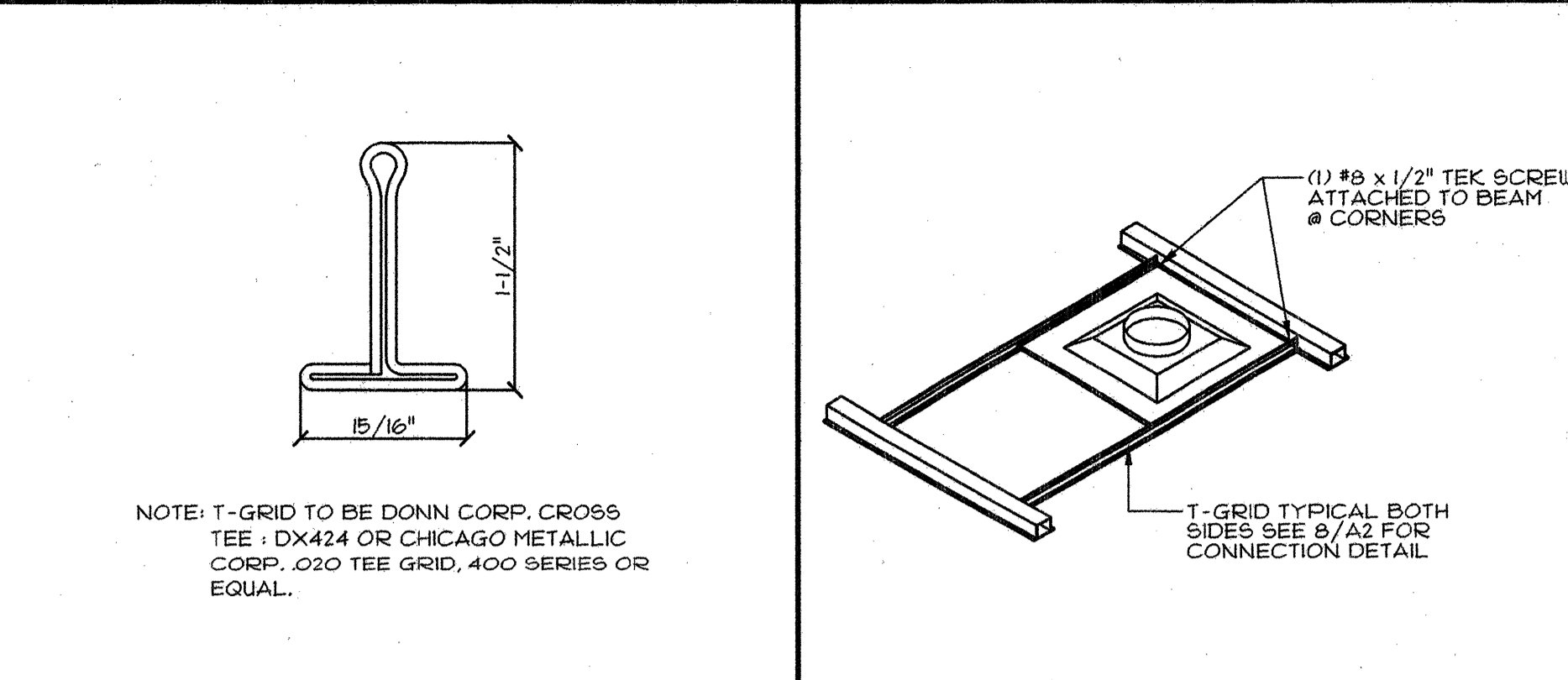


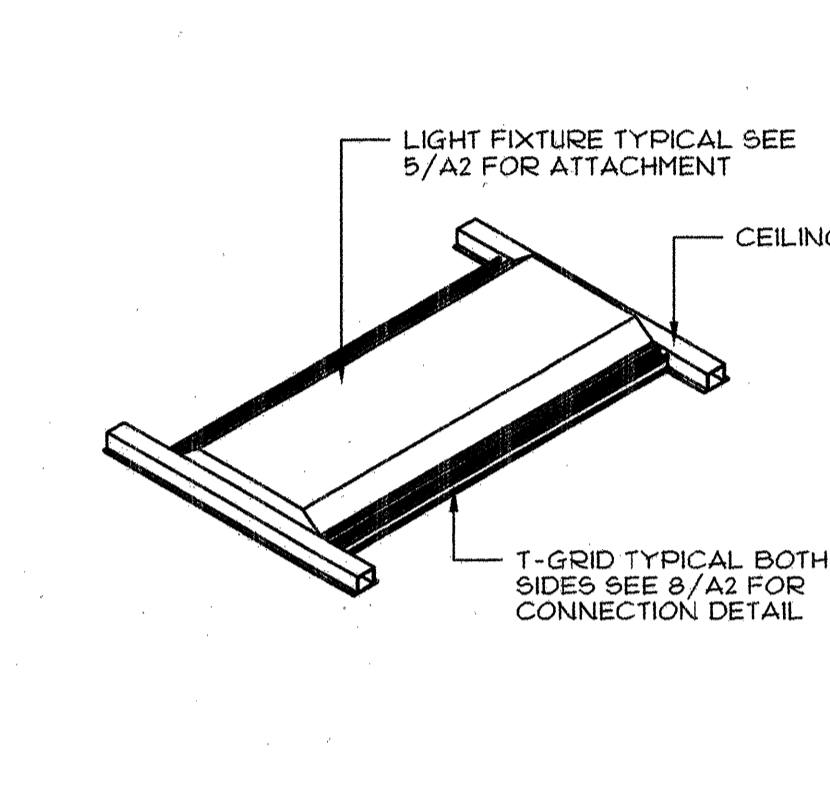
NOTE: CEILING TILE & LIGHTING SYSTEM IN THIS MODULE ARE NOT SUSPENDED. THE BUILDING HAS A FIXED CEILING AND LIGHTING FIXTURE SUPPORT SYSTEM WHICH IS MECHANICALLY FASTENED TO STEEL CEILING BEAMS.

6 36' x 40' (CLASSROOM "B") REFLECTED CEILING AND MECHANICAL PLAN
SCALE: 1/4"=1'-0"

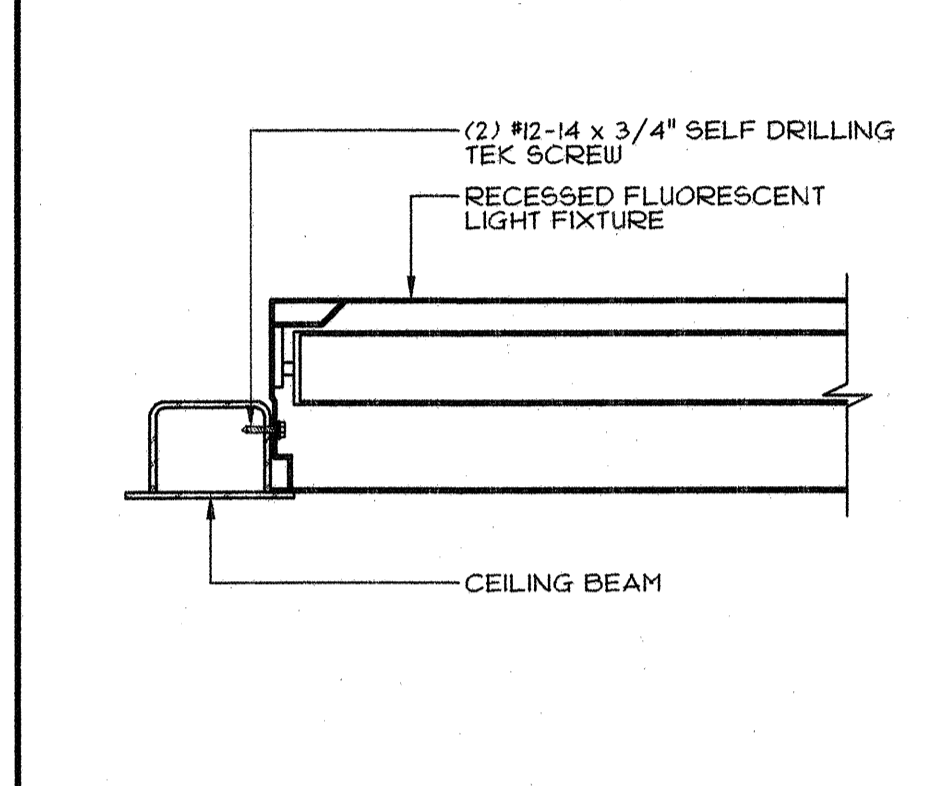


2 TYPICAL T-GRID
SCALE: FULL

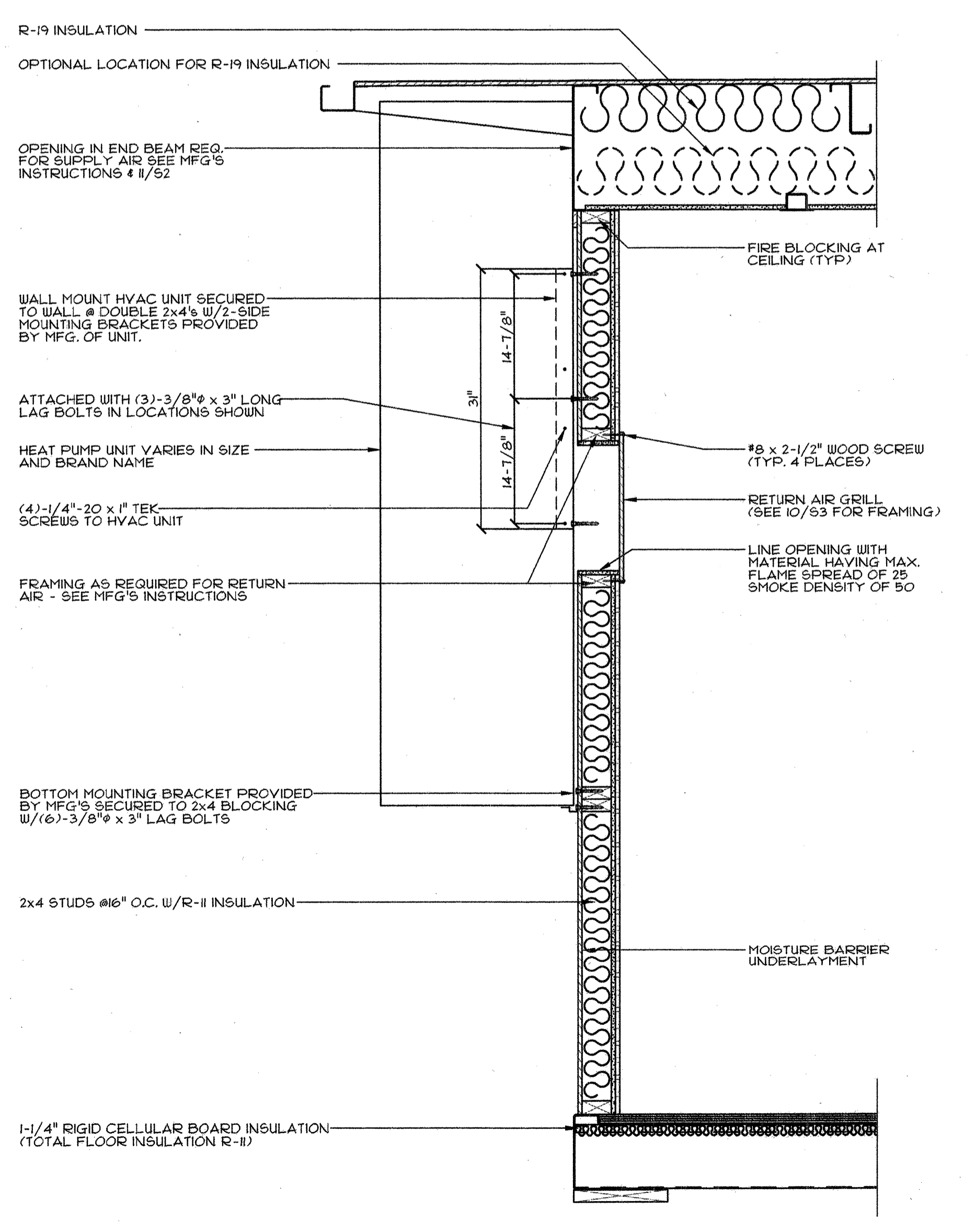
3 SUPPLY AIR REGISTER
SCALE: 1/2"=1'-0"



4 DROP-IN LIGHT FIXTURE
SCALE: 1/2"=1'-0"



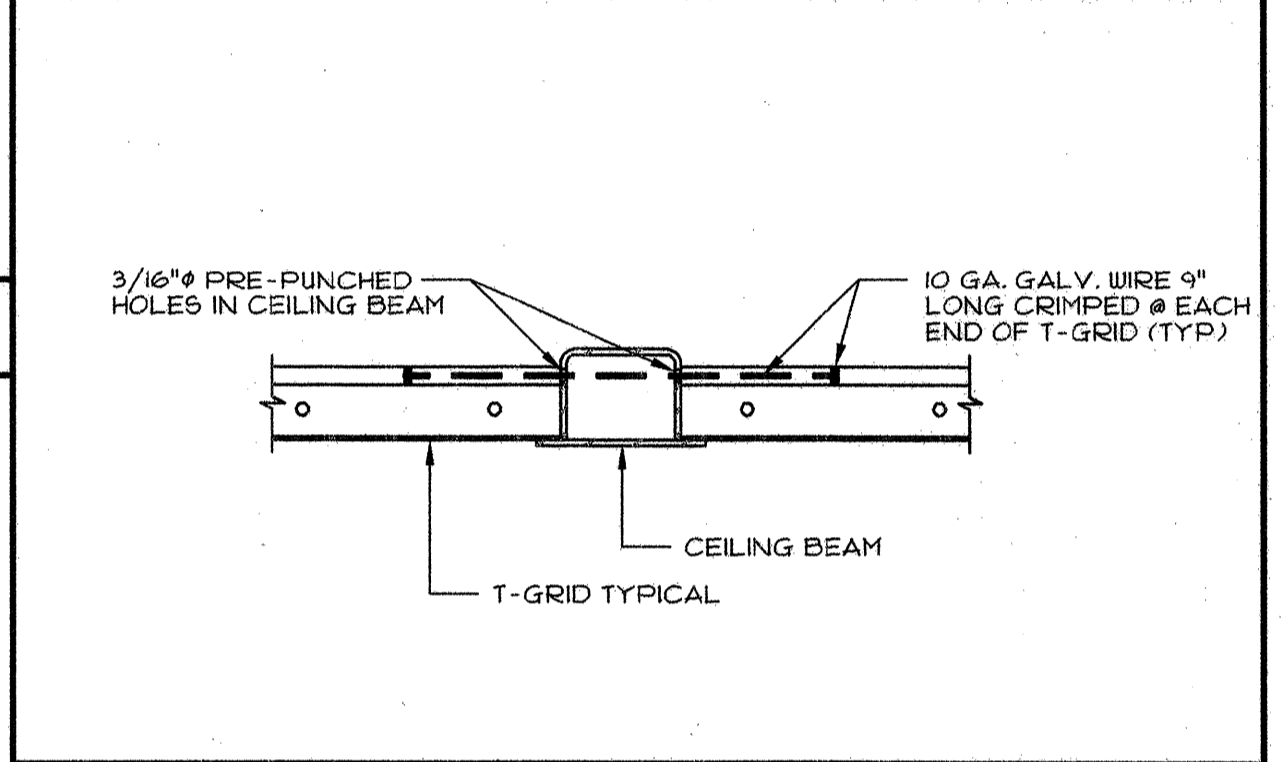
5 LIGHT FIXTURE SUPPORT
SCALE: 3/4"=1'-0"



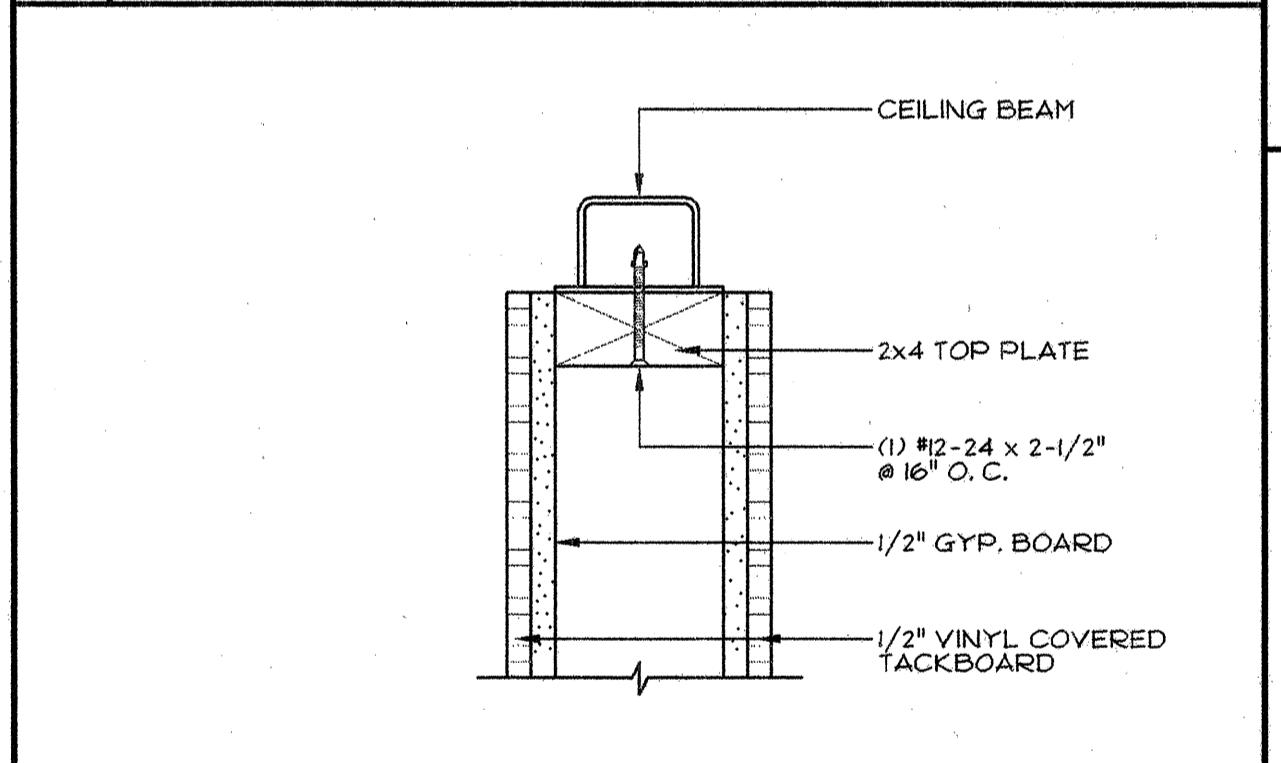
7 HVAC @ WALL SECTION
SCALE: 1"=1'-0"

1. HEAT PUMP
SINGLE PACKAGE WALL MOUNTED AIR TO AIR ELECTRIC HEAT PUMP UNIT SHALL BE RATED IN ACCORDANCE WITH ARI STANDARDS 240-TT. (U.L. LISTED) REFERENCE BRANDS: SUN HV42H-1-08-C (OR EQUAL)
BARD WH42H-A5XXXB (OR EQUAL)
INTERTHERM PWYB-042KB10 (OR EQUAL)
WIRING AND MNTG. INSTALLATION OF UNIT PER MANUFACTURER'S INSTRUCTIONS.
A) TWO SPEED INDOOR BLOWER MOTOR TO REDUCE INDOOR NOISE LEVEL.
B) RECURRENT KW HEAT STRIP (HEATER CAN BE SERVICED ELECTRICALLY BY 60 AMP BREAKER, COMPRESSOR BY 50 AMP BREAKER.) MAXIMUM TOTAL AMPS: 68 @ MIN. 240 VOLTS. MINIMUM CIRCUIT CAPACITY: HEATER 90 AMPS, COMPRESSOR 33.3 AMPS.
C) LOW TEMPERATURE OUTDOOR THERMOSTAT TO ASSIST CIRCUITING DURING THE HEATING MODE.
D) COOLING: 39,406 BTU HR (95°F) HEATING 43,000 BTU HR (41°F)
E) WEIGHT: 510# MAX
AIR FILTERS:
AN APPROVED TYPE TESTED IN ACCORDANCE WITH TEST METHODS 9FM-12-TI-A5 SHOWN IN PART 12, TITLE 24, CALIFORNIA CODE OF REGULATIONS. PREFORMED FILTERS HAVING COMBUSTIBLE FRAMING SHALL BE TESTED AS A COMPLETE ASSEMBLY. AIR FILTERS IN ALL OCCUPANCIES SHALL BE CLASS 2 OR BETTER, AS DEFINED IN THE TEST METHOD ABOVE. AIR FILTERS SHALL BE ACCESSIBLE FOR CLEANING OR REPLACEMENT.
2. CONTROLS:
THERMOSTAT: WHITE-ROGERS IF92 DIGITAL (TAMPER PROOF). MAX +60" FROM FLOOR (+48" MAX IF NON-SEALED TYPE).
3. DUCTS: MAY BE CLASS 1" OR 10"
FACTORY MADE AIR DUCTS SHALL BE APPROVED FOR THE USE INTENDED OR SHALL CONFORM TO THE REQUIREMENTS OF U.M.C. STANDARDS NO. 6-1. EACH PORTION OF A FACTORY MADE AIR DUCT SYSTEM SHALL BE IDENTIFIED BY THE MANUFACTURER WITH A LABEL OR OTHER SUITABLE IDENTIFICATION INDICATING COMPLIANCE WITH U.M.C. STANDARD NO. 6-1 AND ITS CLASS DESIGNATION. THESE DUCTS SHALL BE INSTALLED IN ACCORDANCE WITH THE TERMS OF THEIR LISTING. INSULATION APPLIED TO THE EXTERIOR SURFACE OF DUCTS LOCATED IN BUILDING SHALL HAVE A FLAME SPREAD RATING OF NOT MORE THAN 25 AND A SMOKE-DEVELOPED RATING OF NOT MORE THAN 50 WHEN TESTED AS A COMPOSITE INSTALLATION INCLUDING INSULATION, FACING MATERIALS, TAPES AND ADHESIVE AS NORMALLY APPLIED. MATERIAL EXPOSED WITHIN DUCTS OR PLENUMS SHALL HAVE A FLAME SPREAD RATING OF NOT MORE THAN 25 AND A SMOKE DEVELOPED RATING OF NOT MORE THAN 50

8 H.V.A.C. SPECIFICATIONS



9 T-GRID CONNECTION DETAIL
SCALE: 3/4"=1'-0"



10 WALL ATTACHMENT DETAIL
SCALE: 3/4"=1'-0"

DIVISION OF THE STATE ARCHITECT OFFICE OF REGULATION SERVICES
IDENTIFICATION STAMP
DIVISION OF THE STATE ARCHITECT
APPLY 104083
BASED ON:
PL-02-101286
DESIGN CRITERIA
ROOF: DEAD LOAD - 8.0 PSF
ROOF: LIVE LOAD - 20.0 PSF (SNOW)
FLOOR: DEAD LOAD - 8.0 PSF
FLOOR: LIVE LOAD - 50.0 PSF
~~(OPTIONAL) FLOOR: LIVE LOAD - 70.0 PSF~~
~~(OPTIONAL) FLOOR: LIVE LOAD - 125.0 PSF~~
WALLS: DEAD LOAD - 8.0 PSF
WIND: 80 MPH; EXPOSURE: C
qs=16.4 PSF; Cs=1.06; Cq AS REQ.
SEISMIC: ZONE 4R=4.5, Z=2.8, N=1.5, C=0.44, Np=2.0, C=8AN,
CONFIDENTIAL MATERIAL - THESE DOCUMENTS ARE THE PROPERTY OF AND ARE NOT TO BE REPRODUCED OR DISTRIBUTED WITHOUT FULL KNOWLEDGE AND WRITTEN CONSENT FROM ENVIROPLEX, INC.
© COPYRIGHT 2001 ENVIROPLEX, INC. (DRAWINGS PREPARED BY ENVIROPLEX, INC.)

11 APPROVALS

JH Lawder, Inc.
Structural Engineers
717 16TH STREET, MARIETTA, GA 30064
(206) 521-1143
(206) 521-1186

ENVIROPLEX, INC.
4777 E. CARPENTER ROAD STOCKTON, CA. 95215
SAN MATEO COMMUNITY COLLEGE
(1) 36' x 40' CLASSROOM

MECHANICAL & REFLECTED CEILING PLANS - HVAC @ WALL SECTION DETAILS - HVAC SPECIFICATIONS

REVISION DATE:	BY:

DATE: _____

THIS MODULAR BLDG. HAS BEEN ENGINEERED BY A REGISTERED STRUCTURAL ENGINEER AND PREVIOUSLY REVIEWED & APPROVED BY THE DIVISION OF THE STATE ARCHITECT, FIRE & LIFE SAFETY AND ACCESS COMPLIANCE SECTION