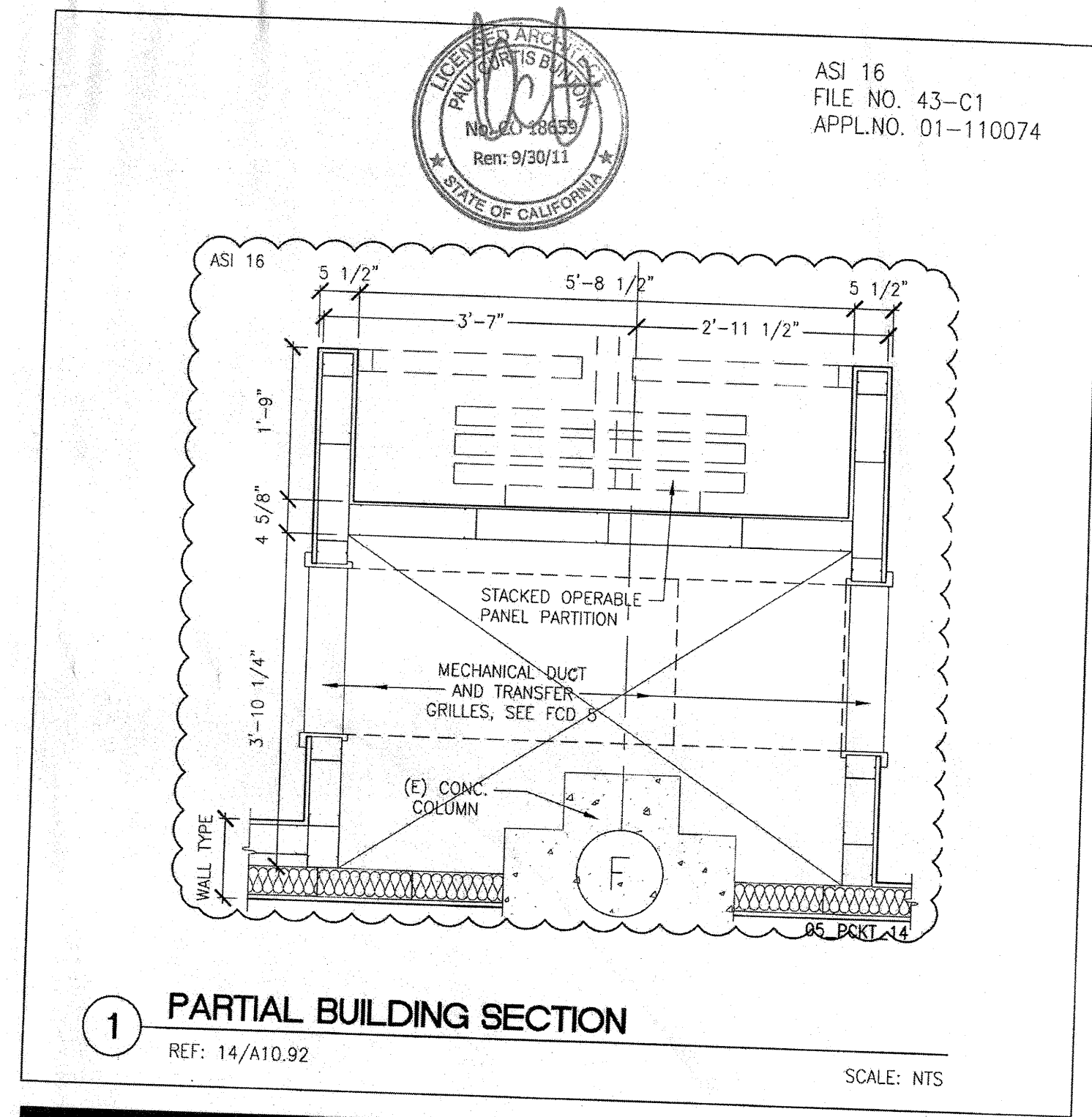


21 METAL TRIM • KIOSK WALL

11 METAL TRIM • KIOSK WALL 1-1/2\" = 1'-0"

6 CEILING TRANSITION 1-1/2\" = 1'-0"

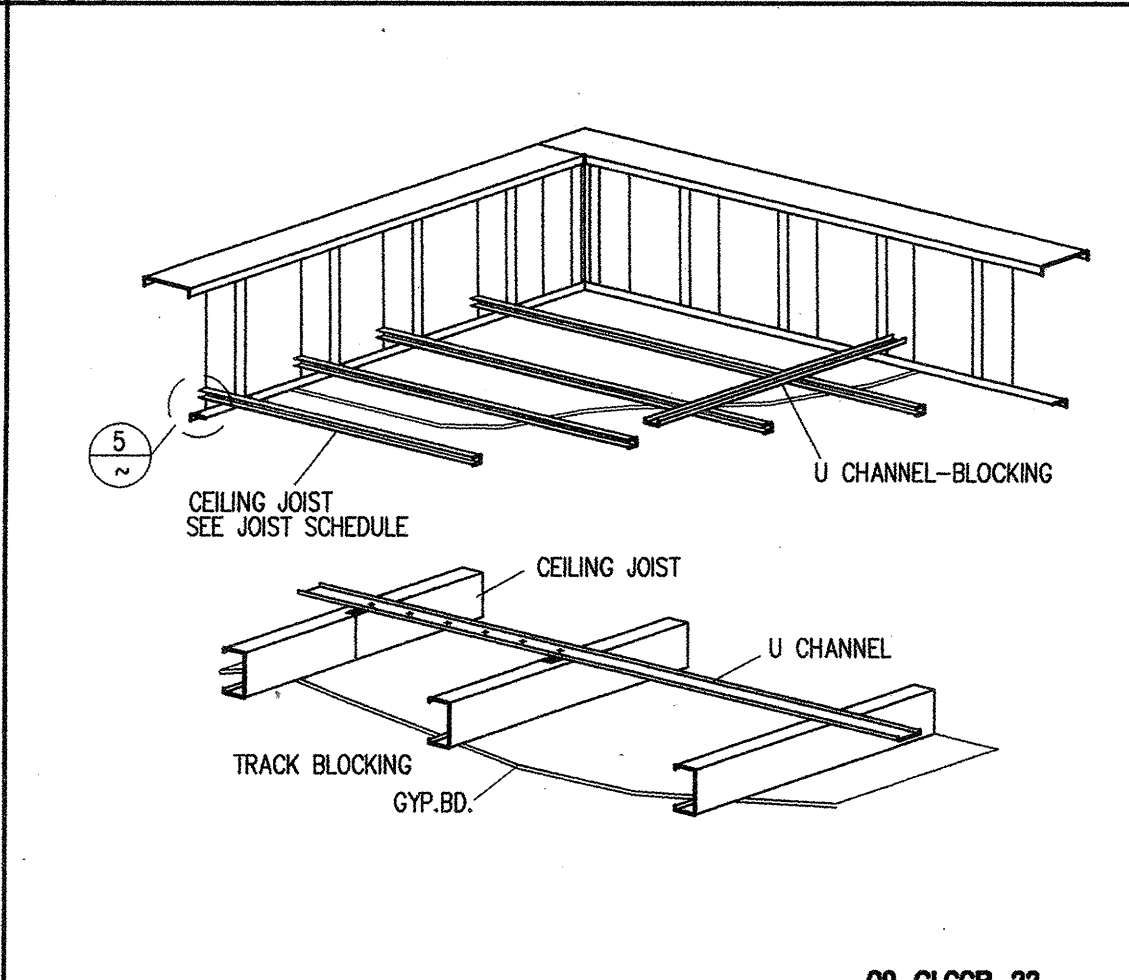
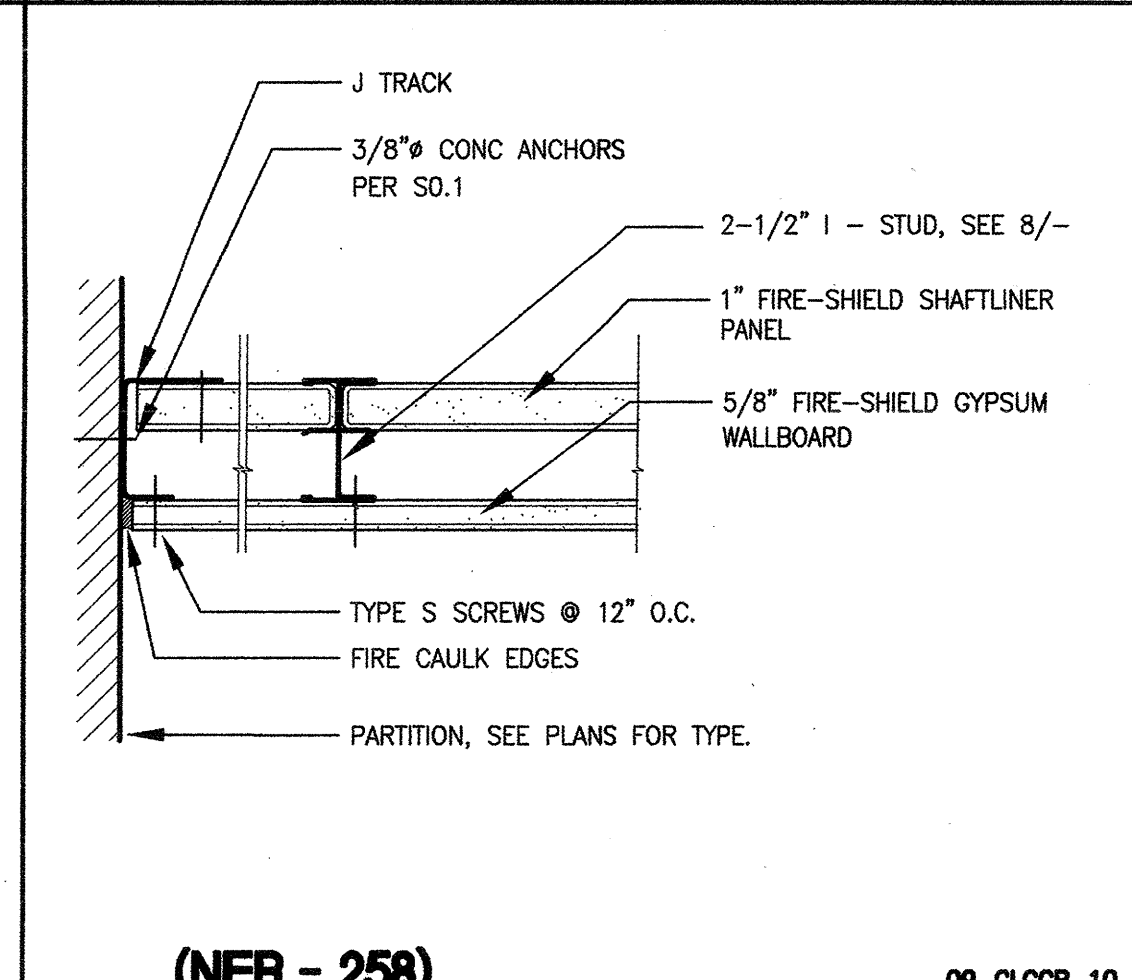
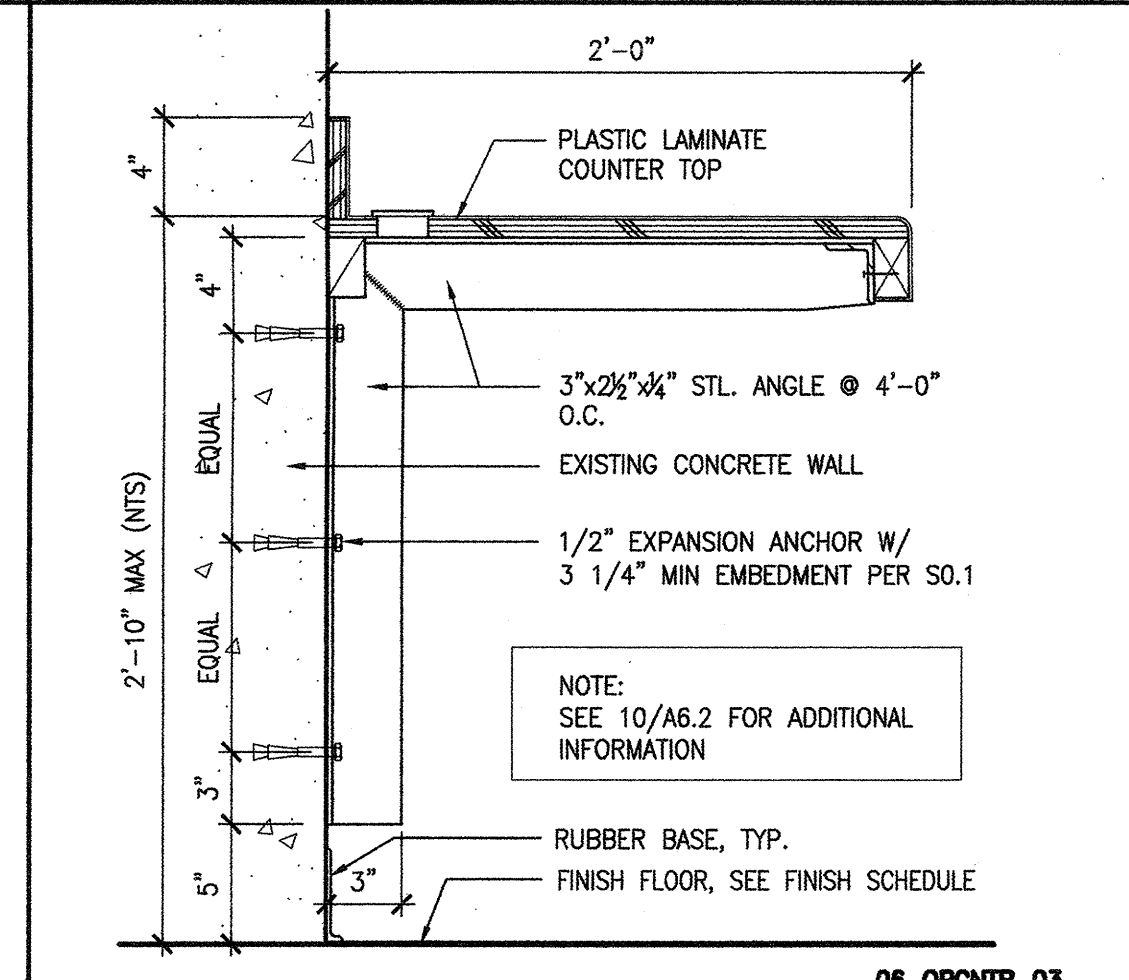
1 FRAMED GYP. BD. CEILING 1\" = 1'-0"



BCA
architecture
planning
interiors

Project Name: CANADA COLLEGE - BUILDINGS 5 & 6 RENOVATIONS
SAN MATEO COUNTY COMMUNITY COLLEGE DISTRICT
4200 FARM HILL BOULEVARD
REDWOOD CITY, CA 94061
FILE NO. 43-C1 APPL. 01-110074

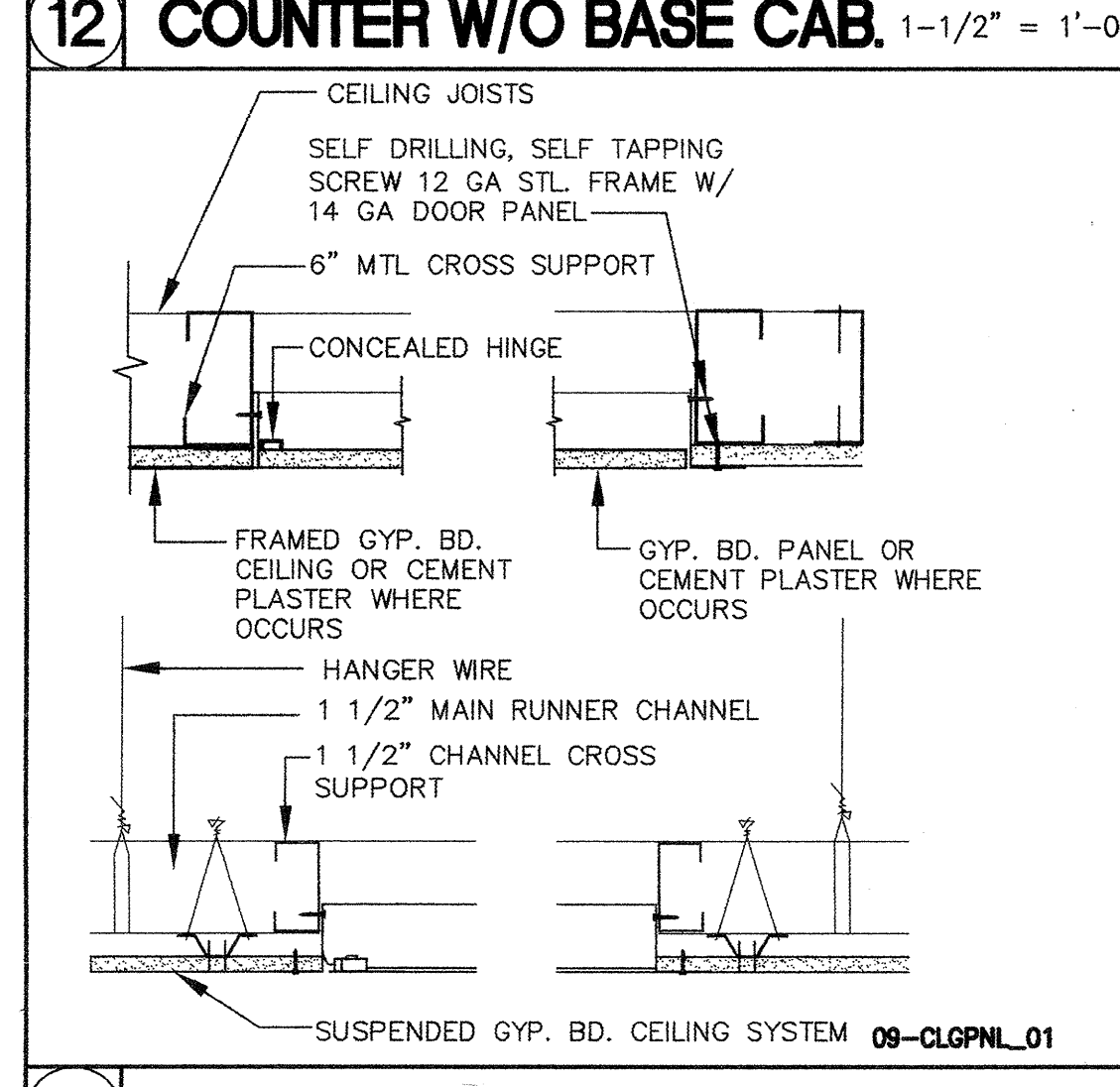
Scale: ASK-13E



12 COUNTER W/O BASE CAB. 1-1/2\" = 1'-0"

7 1-HR RATED CEILING 3\" = 1'-0"

2 MIDSPAN BLOCKING LAYOUT N.T.S.



CEILING JOIST SCHEDULE (ICBO NER-258)

C-H CEILING JOIST SIZE	MFR NUMBER	JOIST SPACING	MAX SPAN W/ GYP. BD. 1 LAYER	MAX SPAN W/ GYP. BD. 2 LAYERS	MAX SPAN W/ GYP. BD. 3 LAYERS
2 1/2 X 22GA	212CH22	24"	9'-4"	8'-6"	7'-11"
2 1/2 X 20GA	212CH20	24"	10'-3"	9'-2"	8'-3"
4 X 25GA	400CH25	24"	8'-8"	7'-10"	8'-6"
4 X 20GA	400CH20	24"	14'-6"	13'-2"	12'-0"
6 X 20GA	600CH20	24"	17'-5"	15'-10"	13'-8"

NOTE: 1) JOIST SPANS BASED ON DEFLECTION LIMIT OF 1/360 AND LATERAL SUPPORT AT MIDSPAN.
2) GYP. BOARD IN MAX. SPAN COLLUMNS REFERS TO EITHER 1 LAYER OF 5/8\"/>

CEILING JOIST SCHEDULE ICBO# ER-4943P

CEILING JOIST SIZE	MFR NUMBER	JOIST SPACING	GYP. BD. MAX SPAN
2 1/2 X 18GA	250S18243	16"	11'-9" 9'-1"
3 5/8 X 20GA	362S18233	16"	14'-5" 11'-1"
3 5/8 X 18GA	362S18243	16"	15'-8" 12'-1"
6 X 20GA	600S18233	16"	20'-4" 16'-8"
6 X 18GA	600S18243	16"	21'-10" 17'-11"

NOTE: JOIST SPANS BASED ON DEFLECTION LIMIT OF 1/360 AND LATERAL SUPPORT AT MIDSPAN

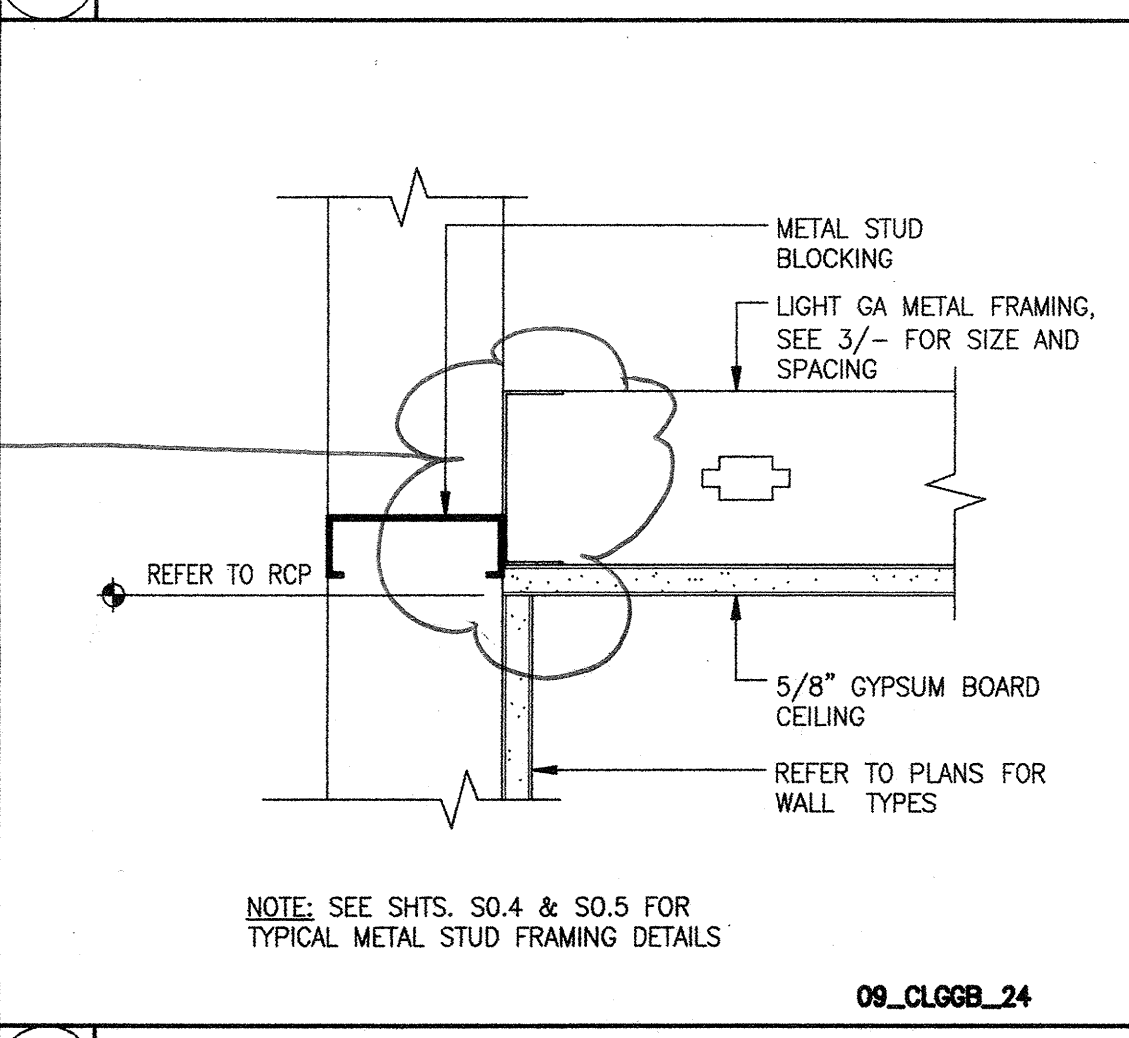
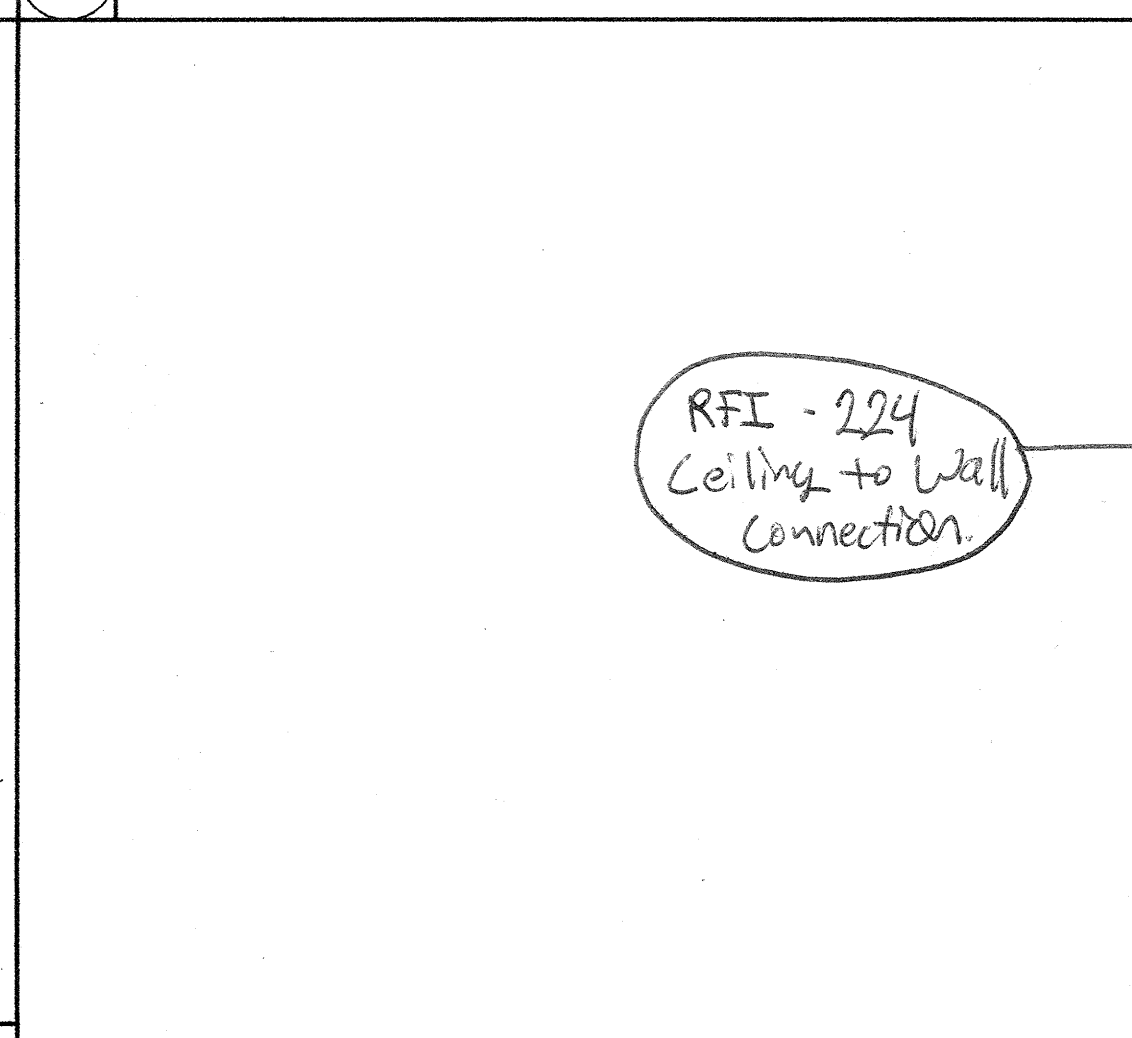
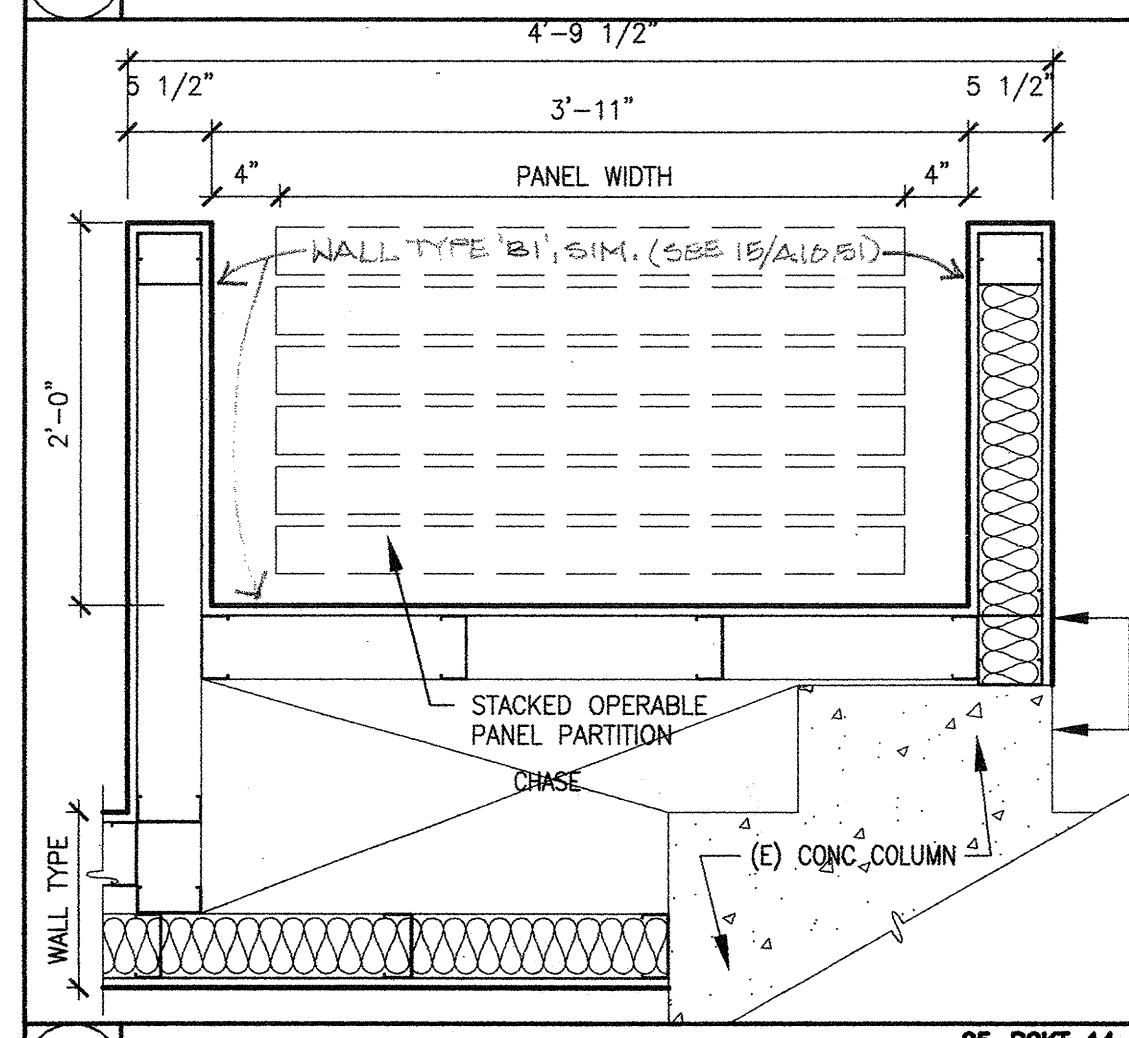
JOIST PROPERTIES

JOIST SIZE	A	Ixx	Sxx	rxx
2 1/2 X 18GA	0.289	0.302	0.242	1.022
3 5/8 X 20GA	0.282	0.551	0.304	1.45
3 5/8 X 18GA	0.340	0.710	0.392	1.445
6 X 20GA	0.344	1.793	0.598	2.282
6 X 18GA	0.447	2.316	0.772	2.276

13 CEILING ACCESS PANEL 1-1/2\" = 1'-0"

8 C-H CEILING JOIST SCHEDULE N.T.S.

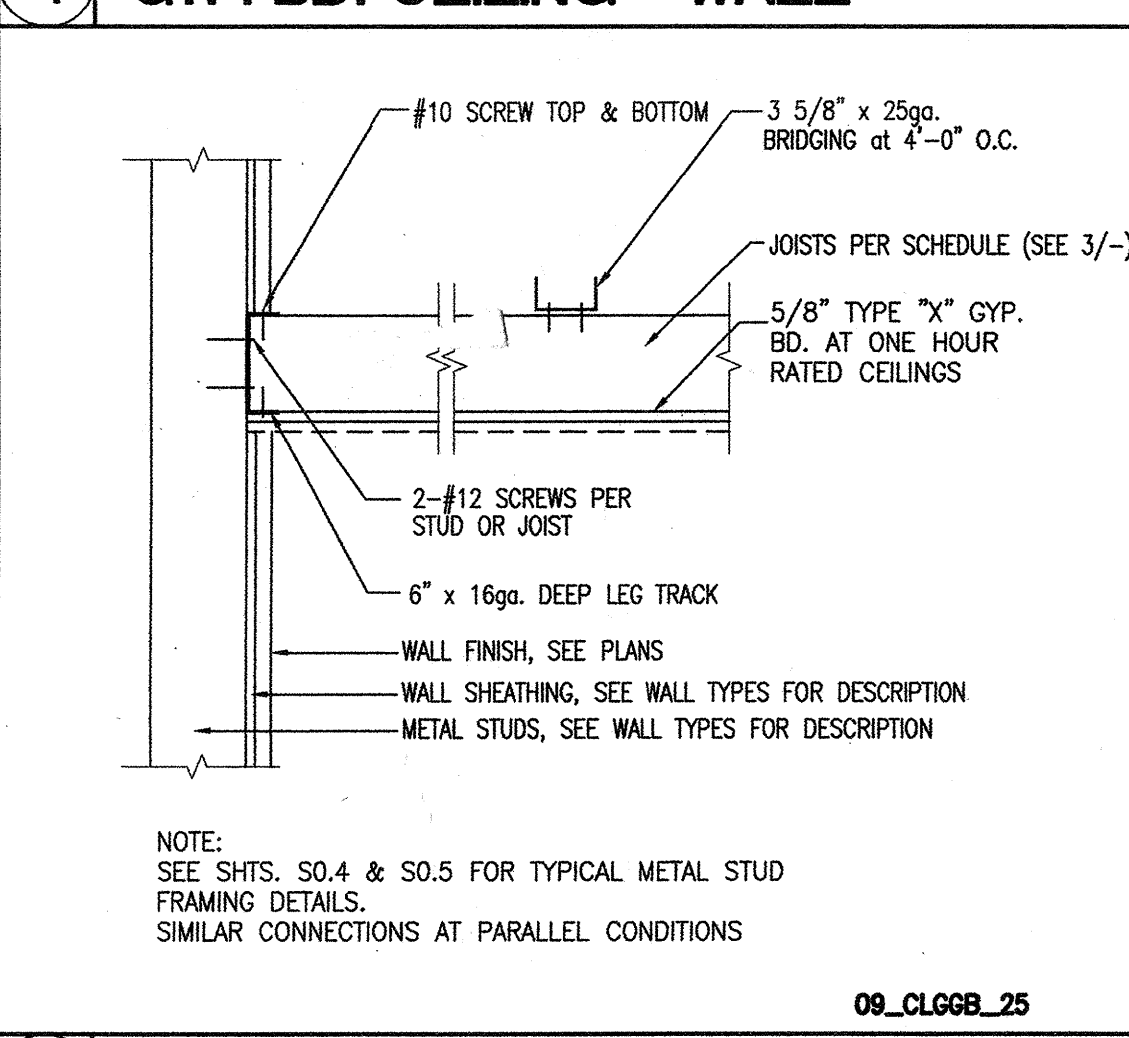
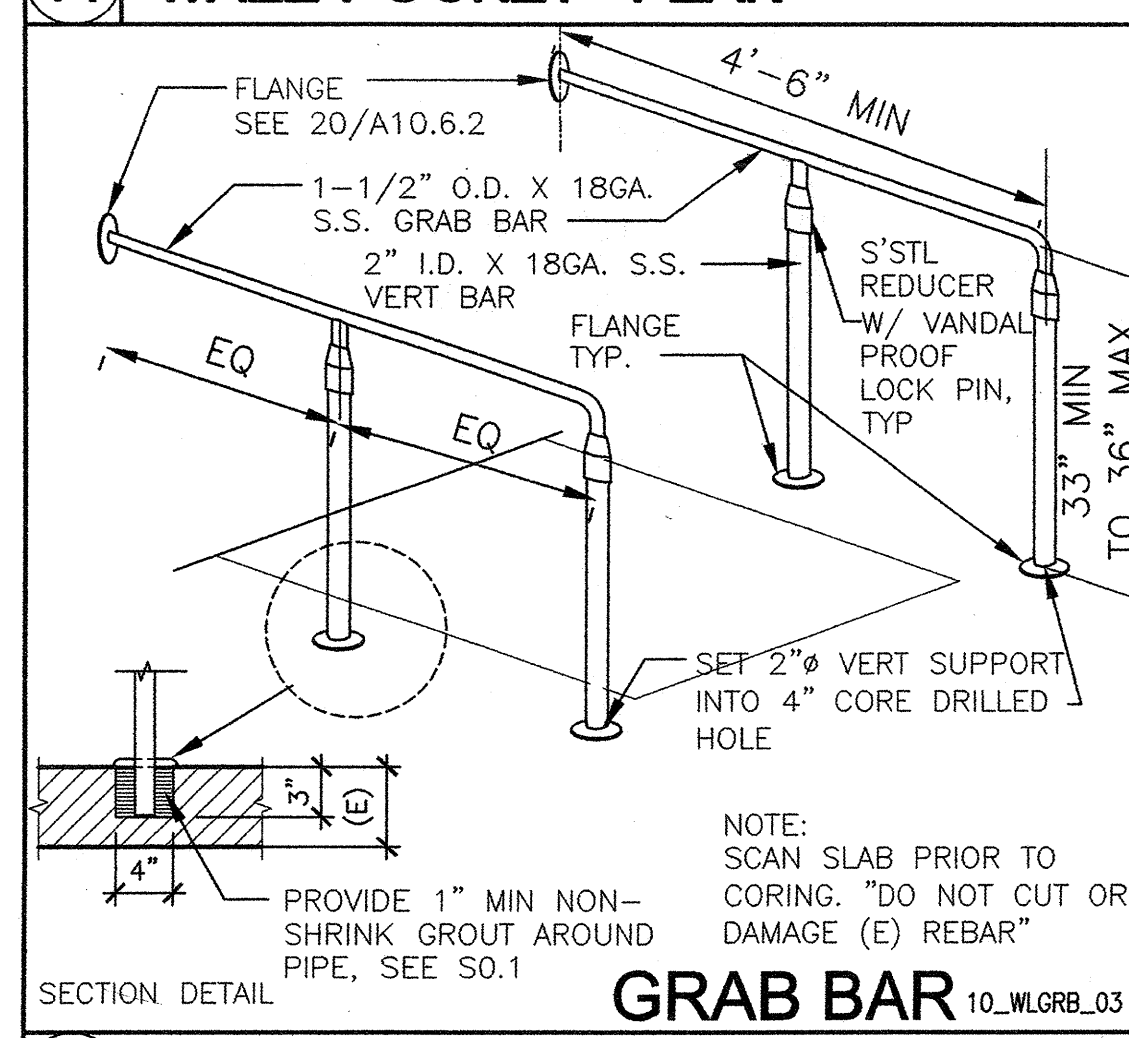
3 CEILING JOIST SCHEDULE N.T.S.



14 WALL POCKET- PLAN 1\" = 1'-0"

8 C-H CEILING JOIST SCHEDULE N.T.S.

4 GYP. BD. CEILING • WALL 3\" = 1'-0"



15 @ SEMI-AMBULATORY N.T.S.

5 MIDSPAN BLOCKING LAYOUT N.T.S.

3 CEILING JOIST SCHEDULE N.T.S.

ARCHITECT: [Seal]
ENGINEER: [Seal]

- GENERAL NOTES:
- This sheet is part of a set and is not to be used alone.
 - This sheet is not to be used for construction unless the architect's stamp and signature appear on the drawings and the status box indicates drawings have been released for construction.
 - These plans and prints thereof, as instruments of service, are owned by the architect and are for use on the project only. Reproduction and/or distribution without the prior written consent of the architect is forbidden.
 - Copyright Bunton Clifford Associates, 2007

REVISIONS

NO.	REMARKS	DATE

DRAWING STATUS

DSA PLAN CHECK 08/29/08
 DSA BACK CHECK 01/22/09
 BIDDING
 CONSTRUCTION

FILE NO. 41-C1
IDENTIFICATION STAMP
DIV. OF THE STATE ARCHITECT
01-110074
DATE: MAR 19 2008

BUILDINGS 5 & 6 RENOVATIONS
San Mateo County Community College District

DSA SUBMITTAL

CAÑADA COLLEGE
4200 Farm Hill Boulevard
Redwood City, CA 94061

TYP. CEILING - GYPSUM BOARD AND MISC. DETAILS