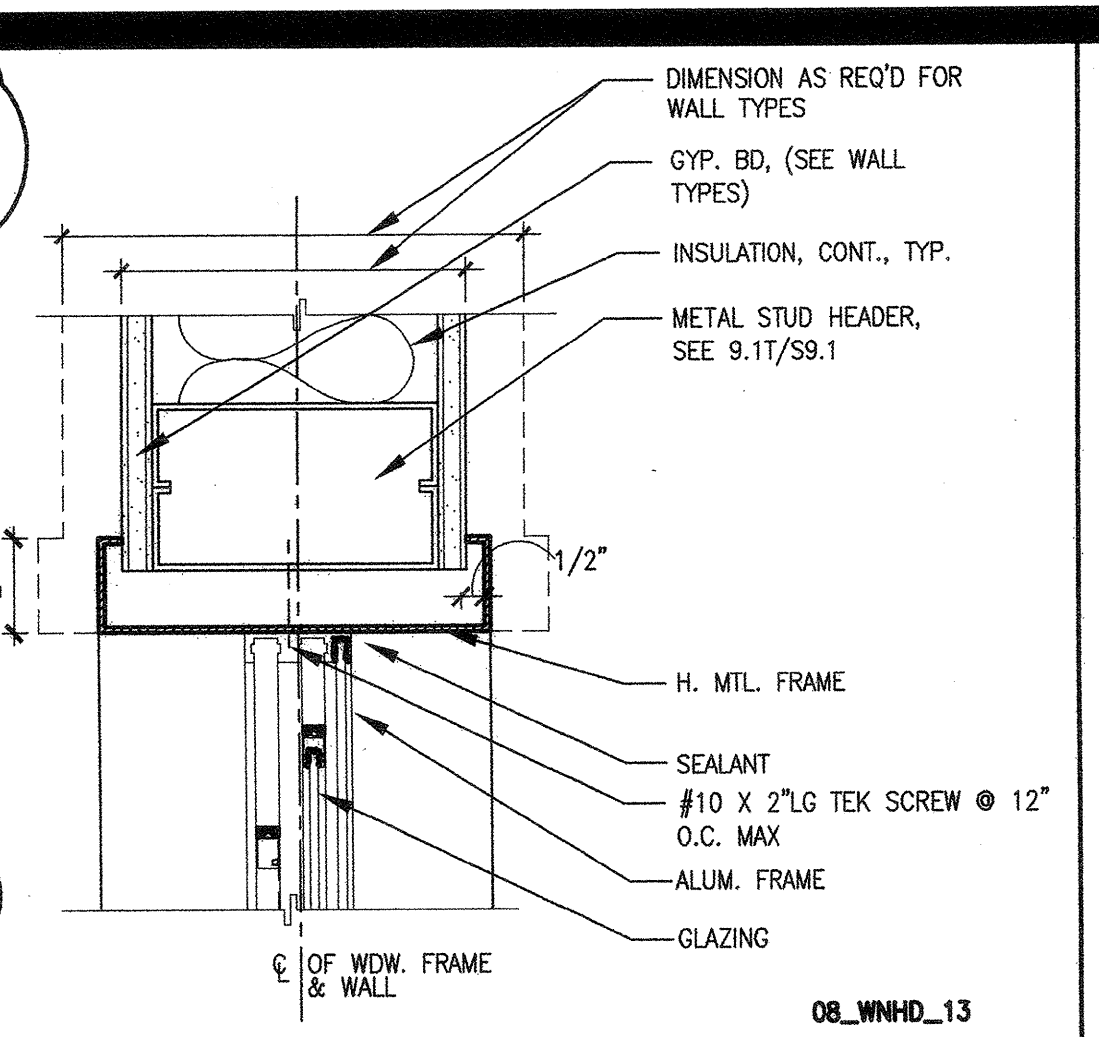
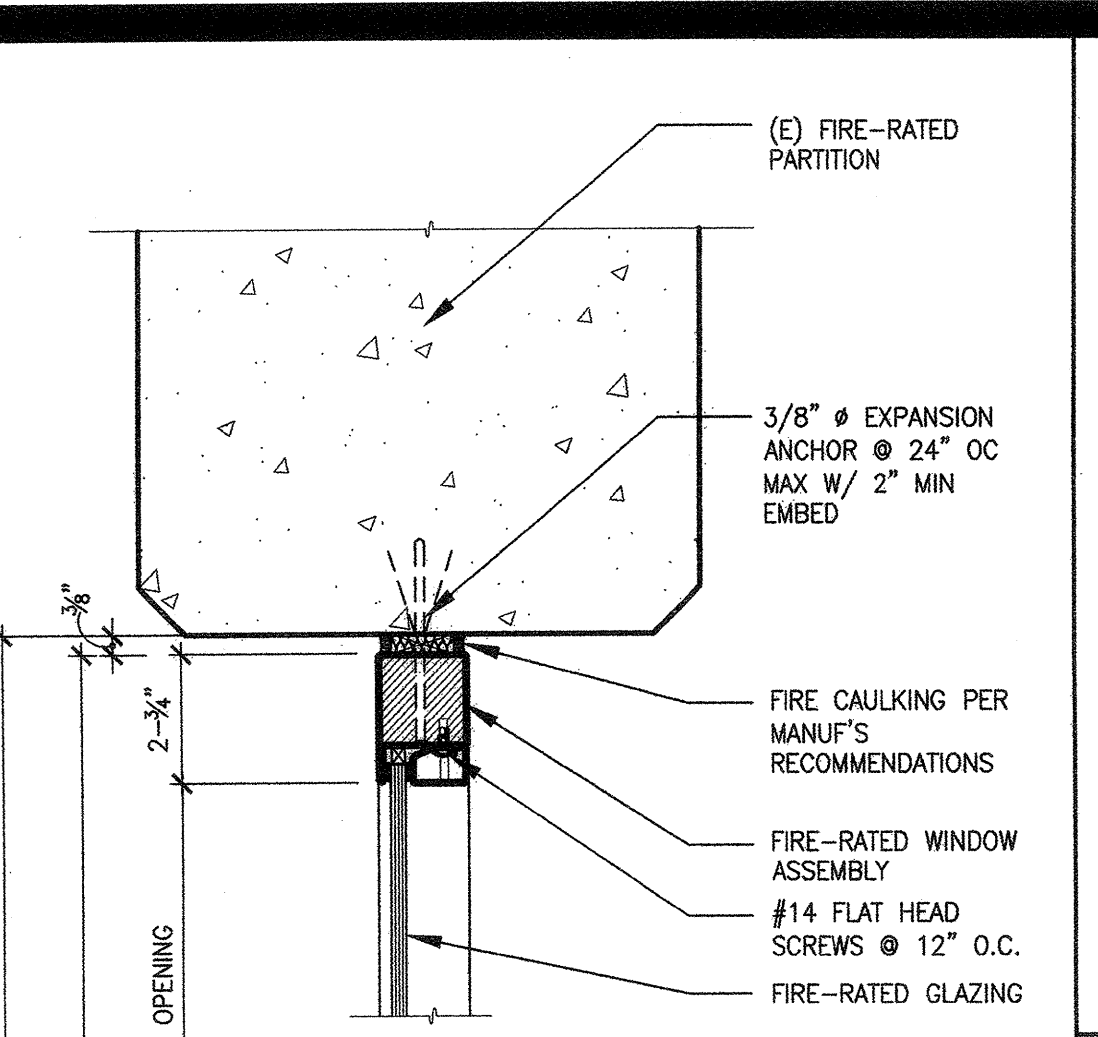


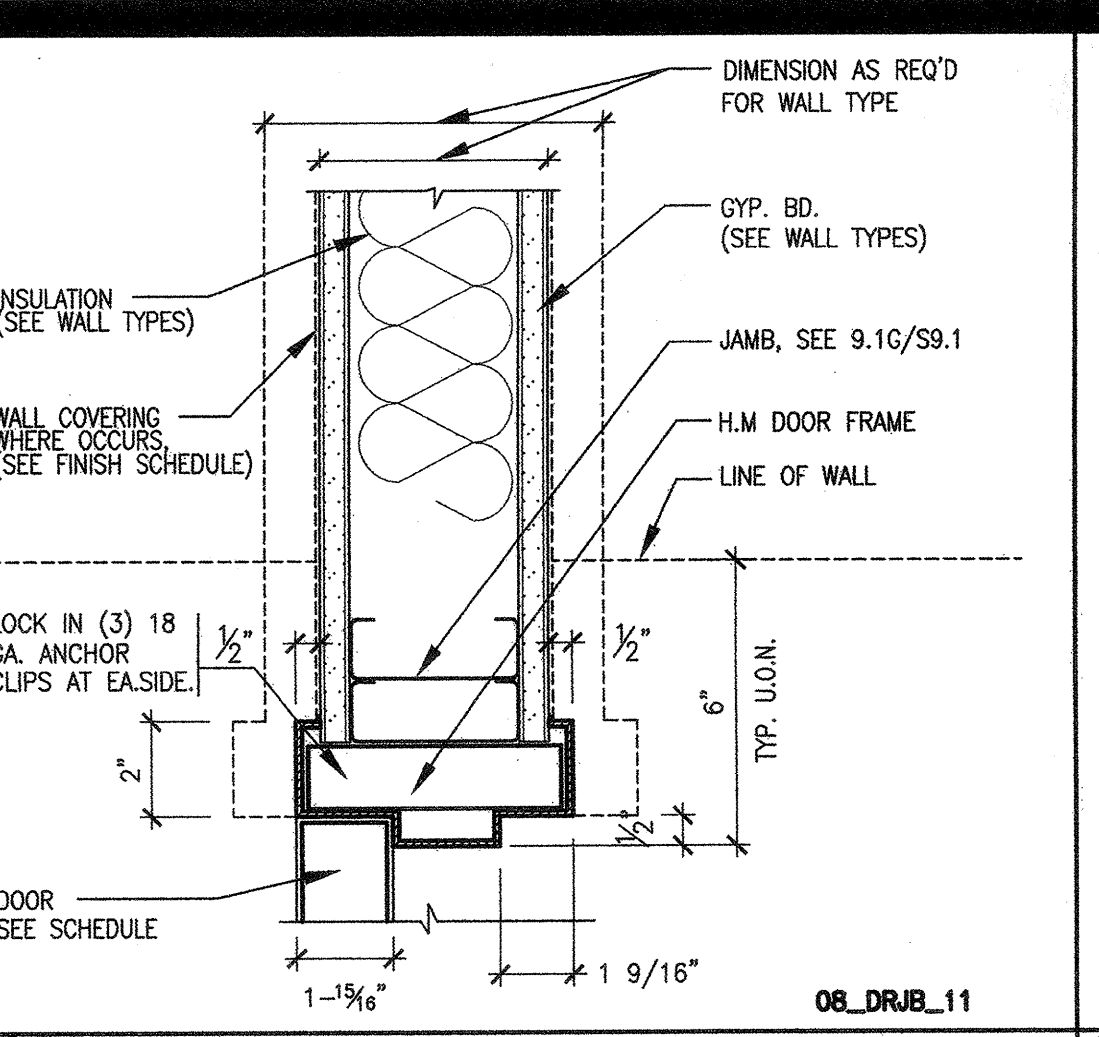
26 TYP. FLOOR PATTERN 1/4" = 1'-0"



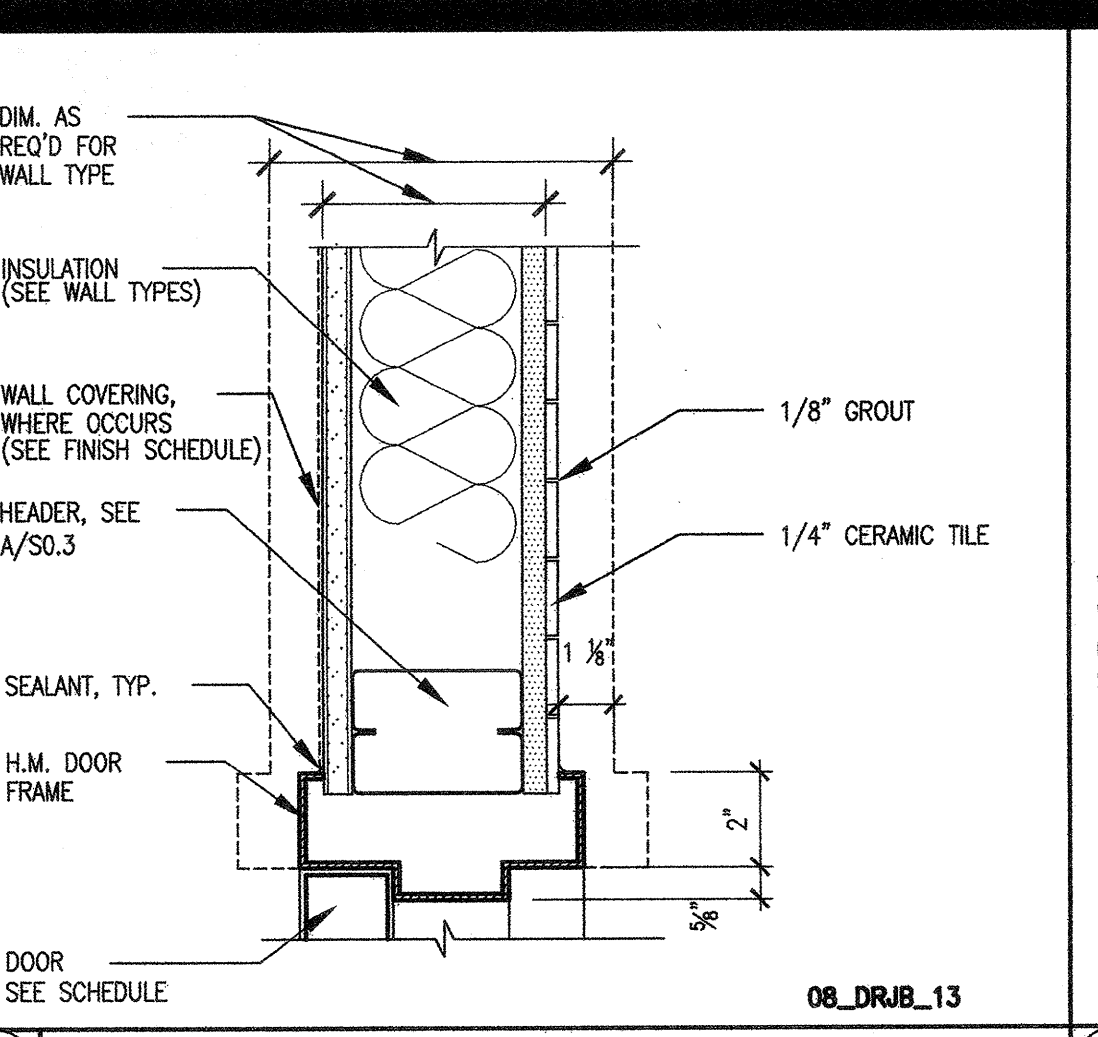
21 SERVING WINDOW HEAD 3" = 1'-0"



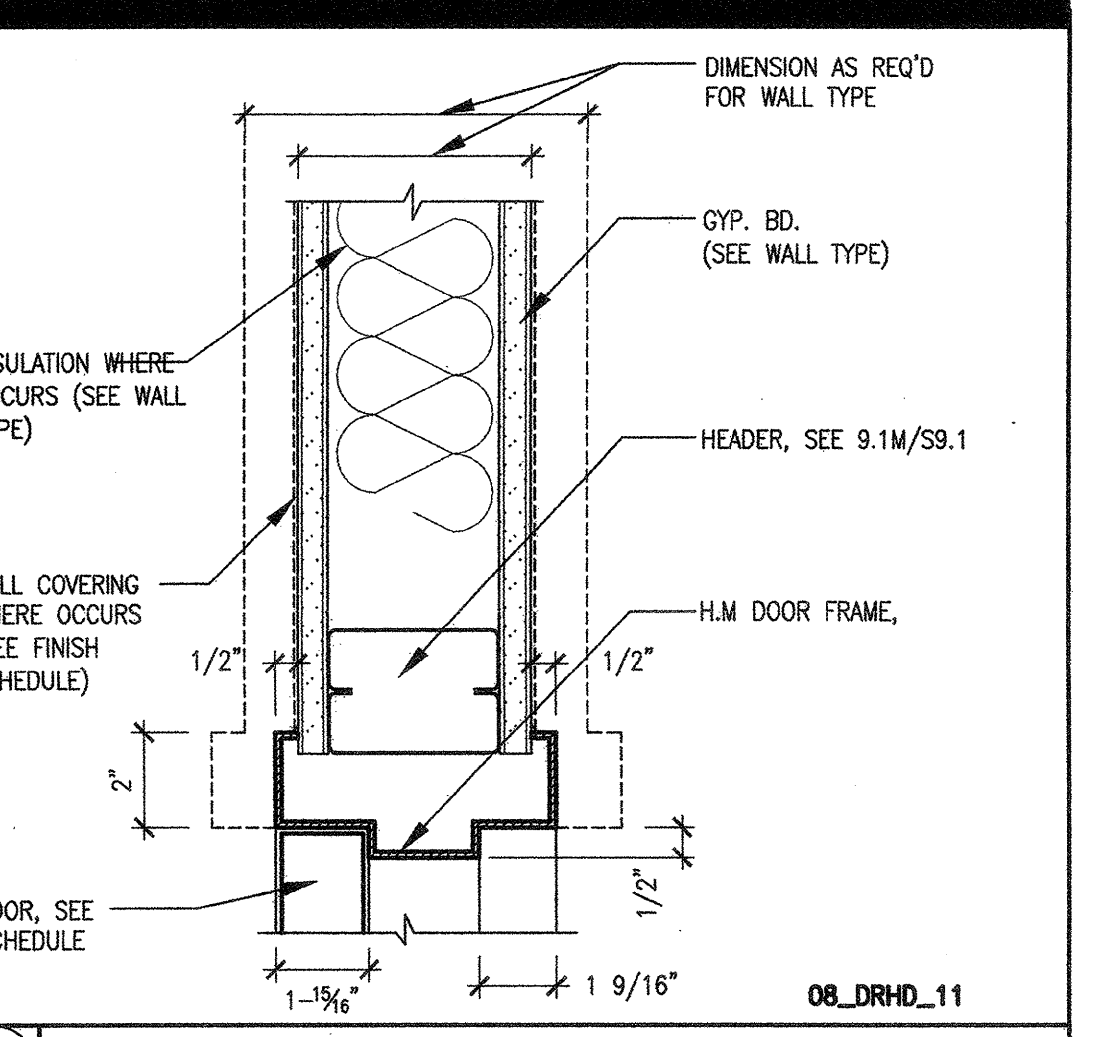
17 FIRE-RATED WINDOW 3" = 1'-0"



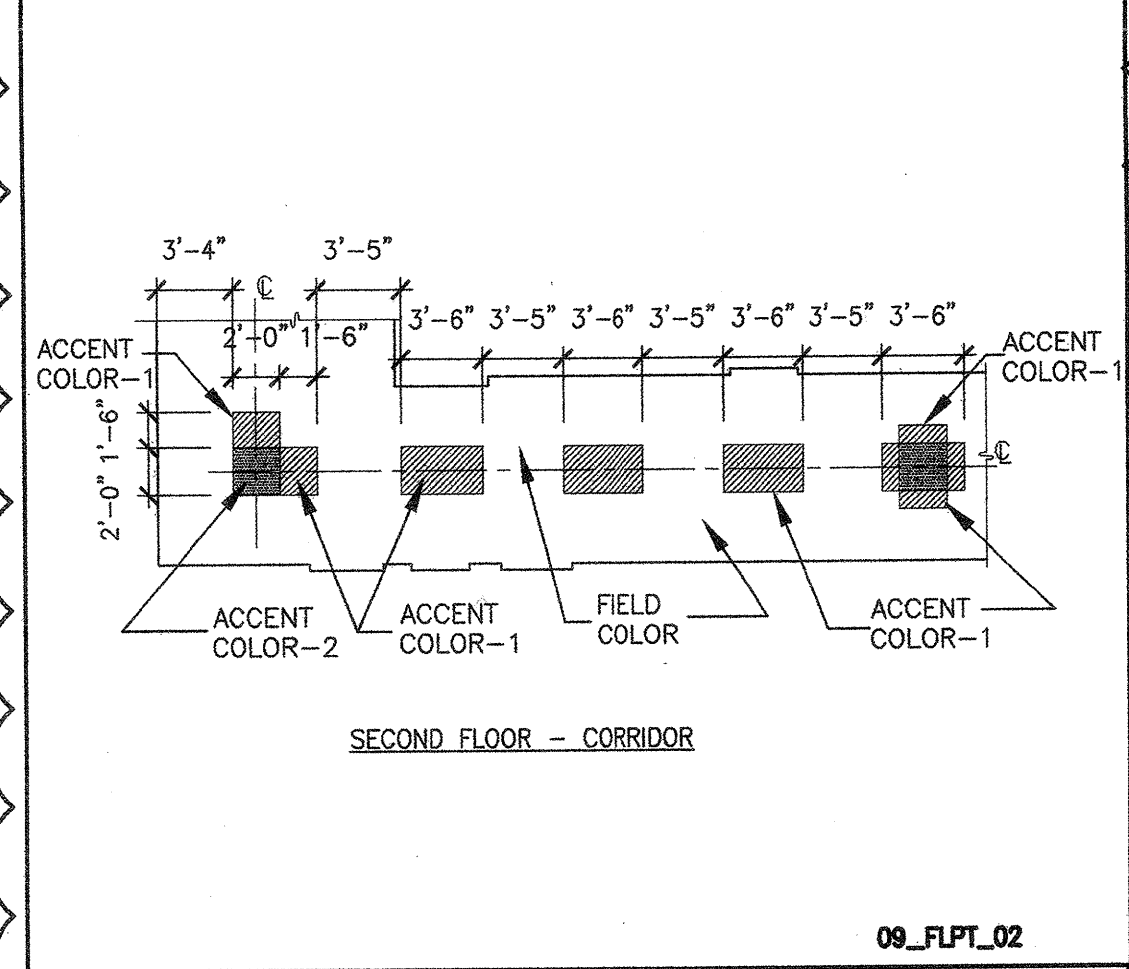
11 TYP. INTERIOR DOOR JAMB 3" = 1'-0"



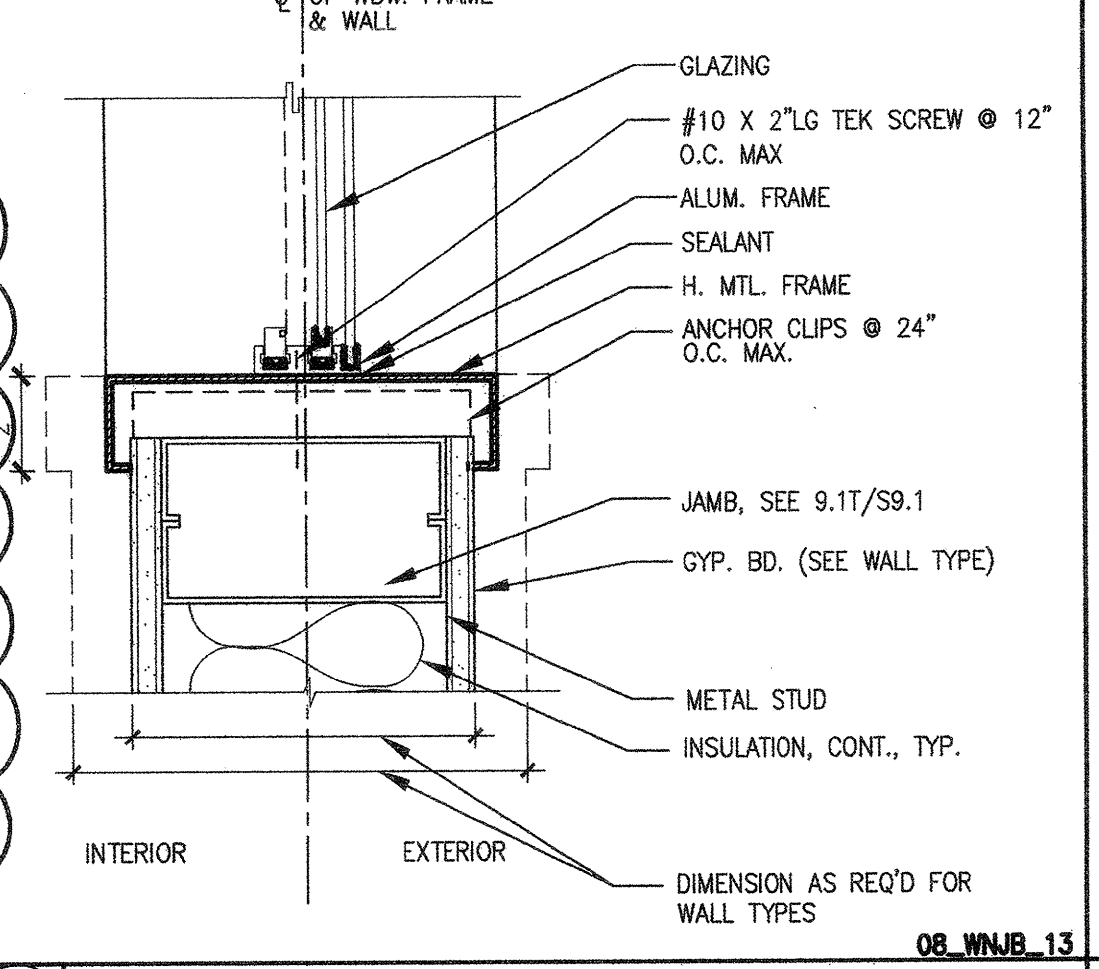
6 INTERIOR DOOR HEAD 3" = 1'-0"



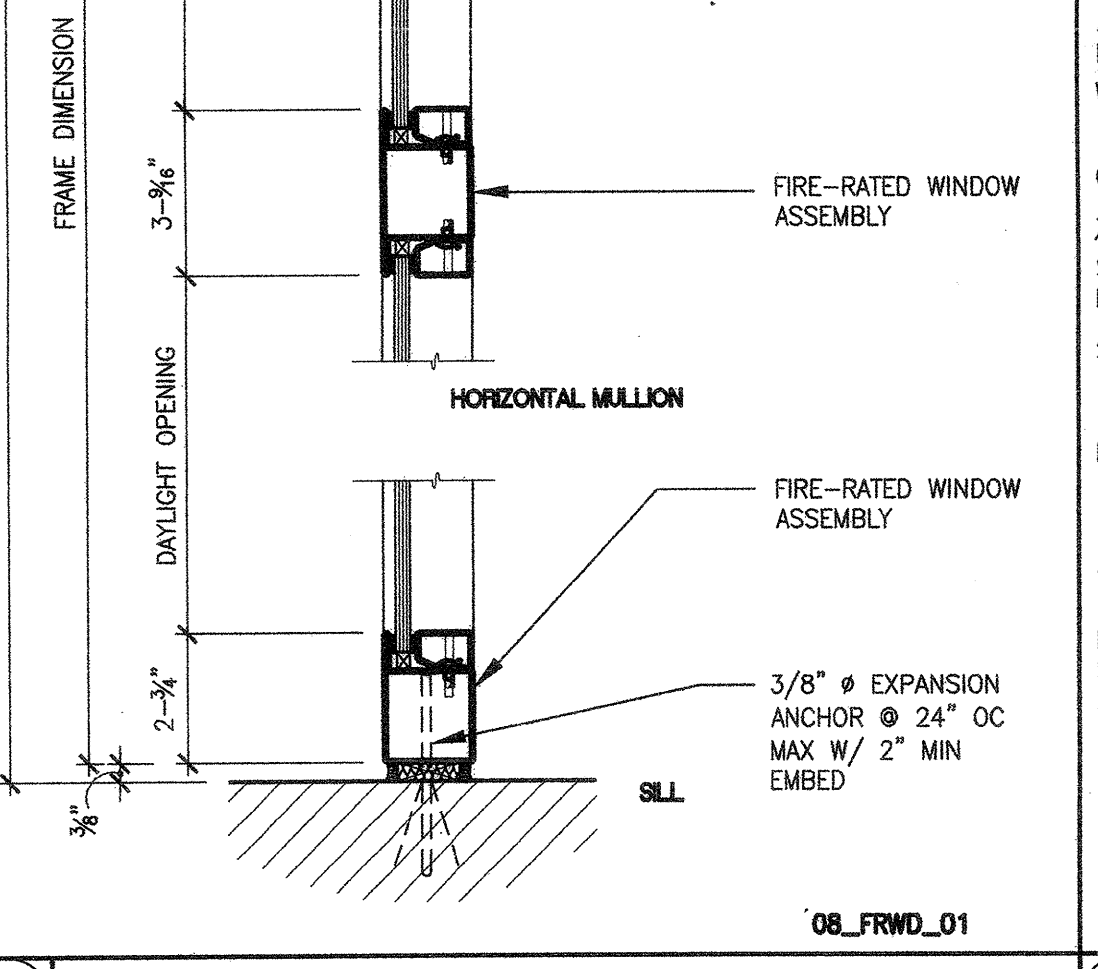
1 TYP. INTERIOR DOOR HEAD 3" = 1'-0"



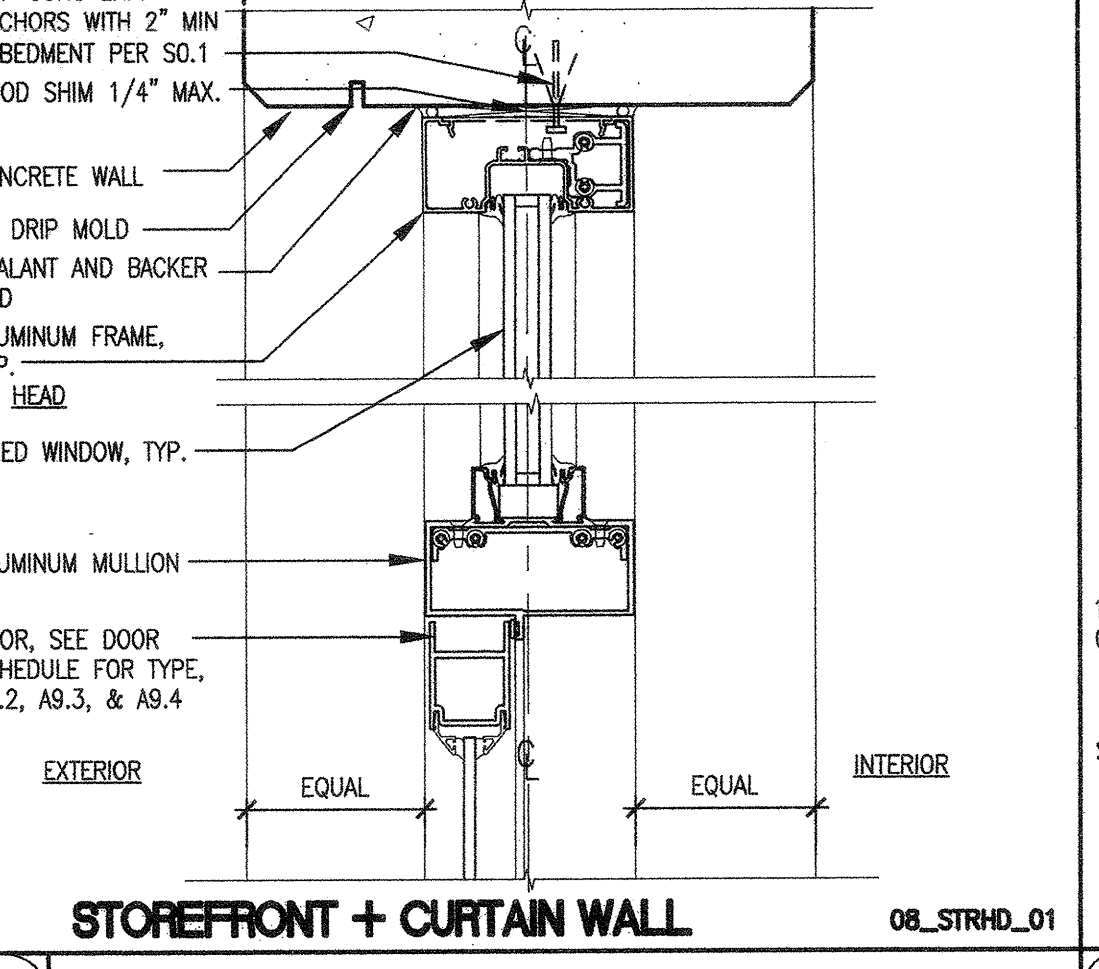
27 TYP. FLOOR PATTERN 1/8" = 1'-0"



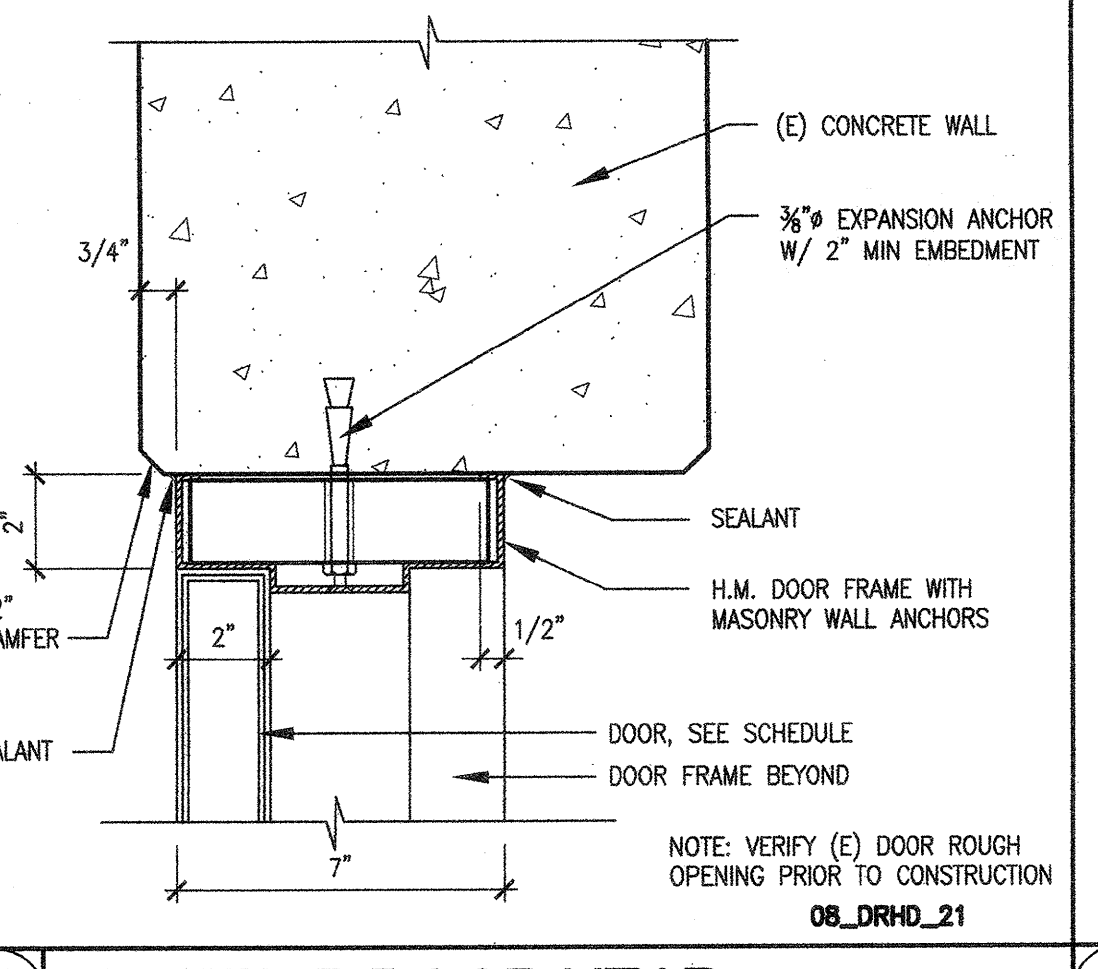
22 SERVING WINDOW JAMB 3" = 1'-0"



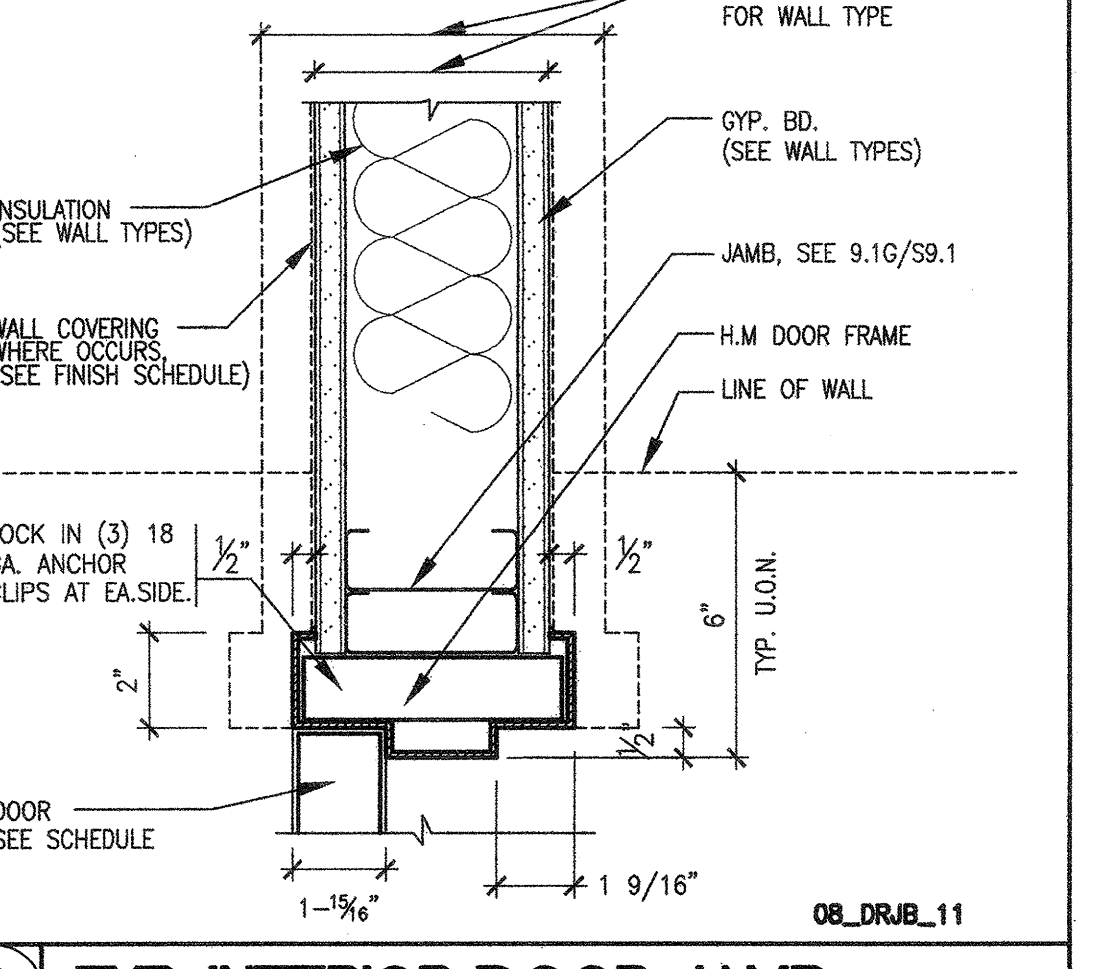
12 HEAD + DOOR 3" = 1'-0"



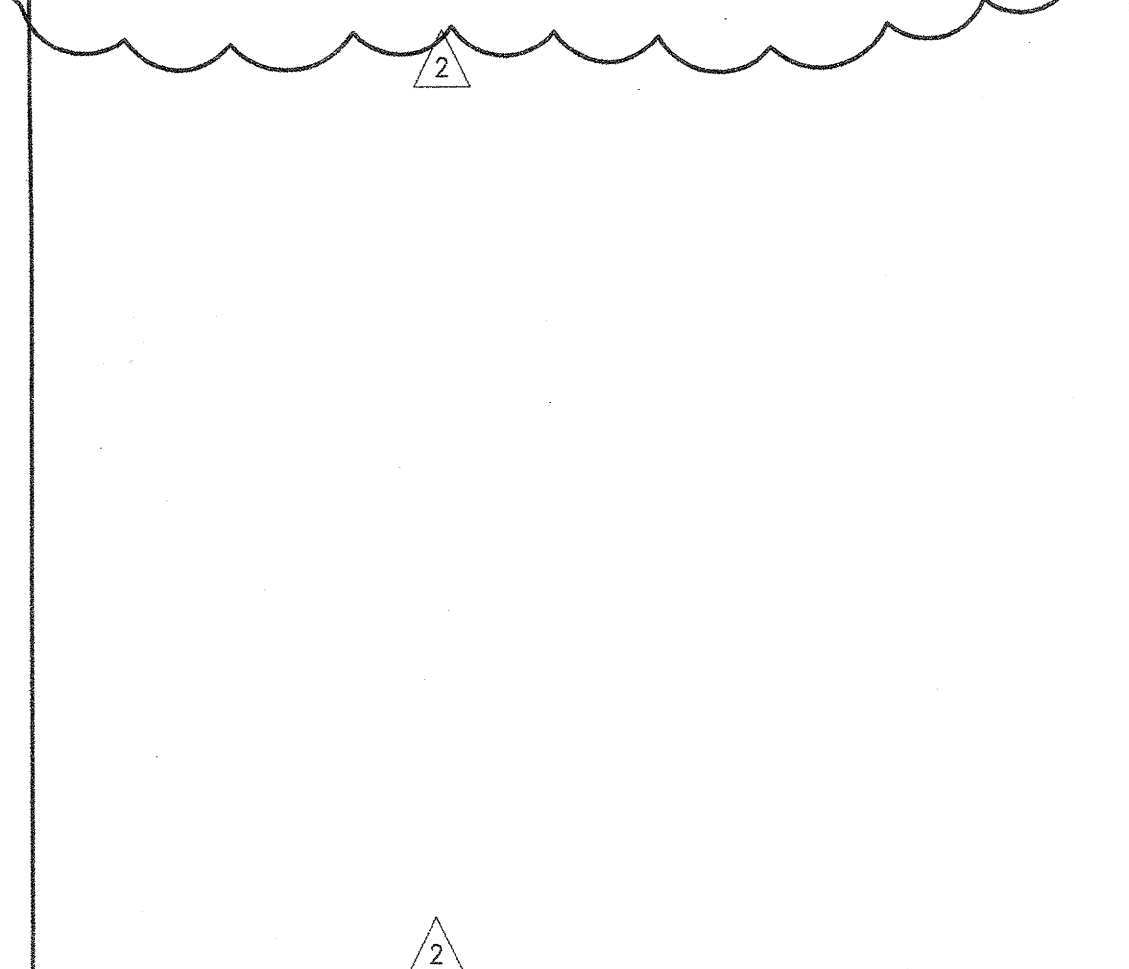
7 EXTERIOR DOOR HEAD 3" = 1'-0"



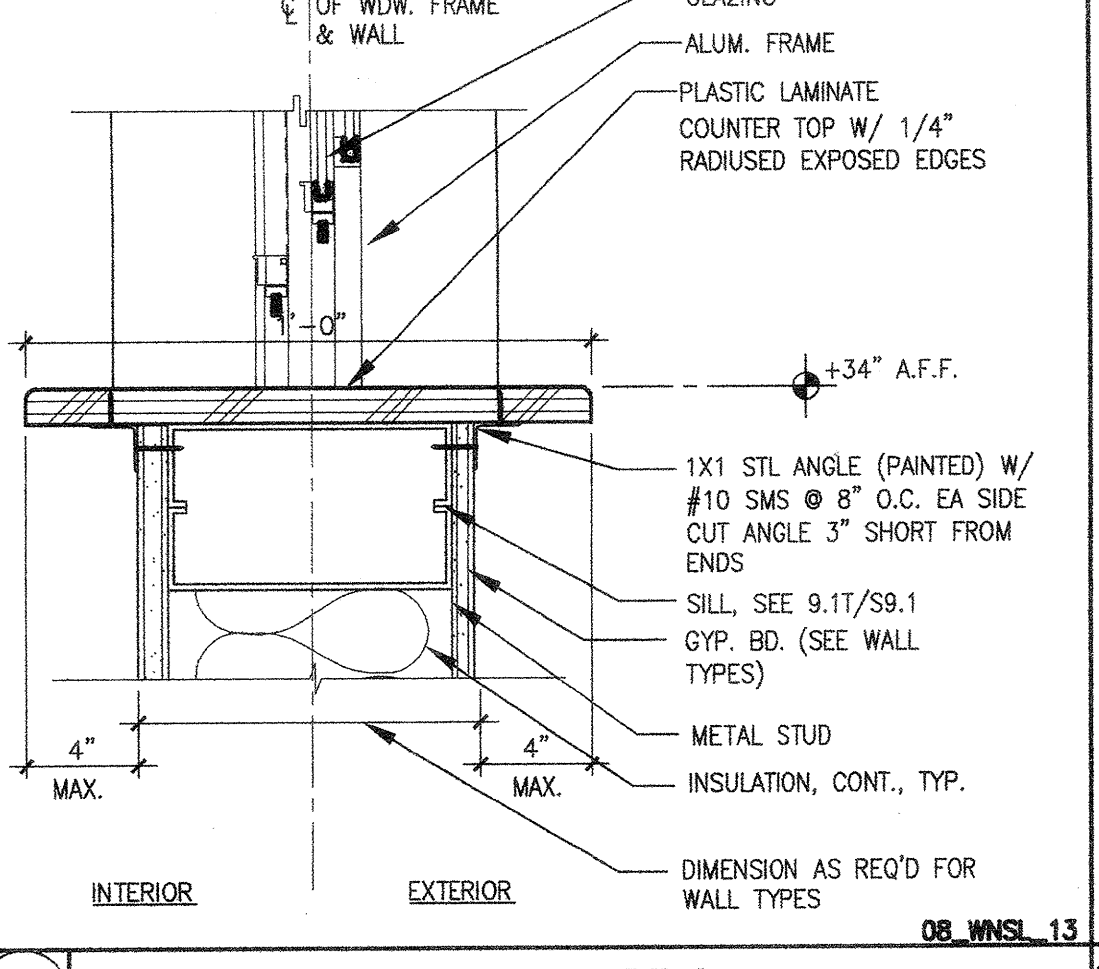
2 TYP. INTERIOR DOOR JAMB 3" = 1'-0"



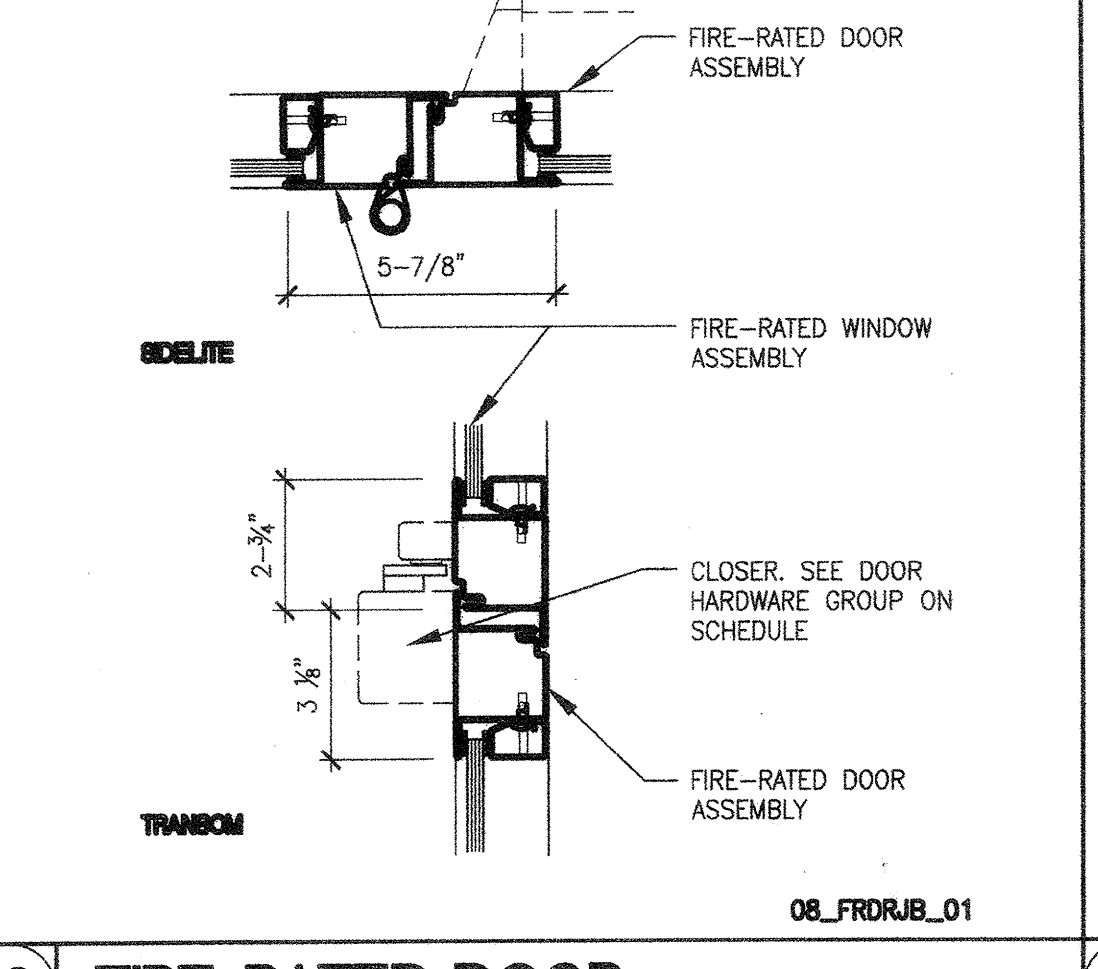
23 SERVING WINDOW SILL 3" = 1'-0"



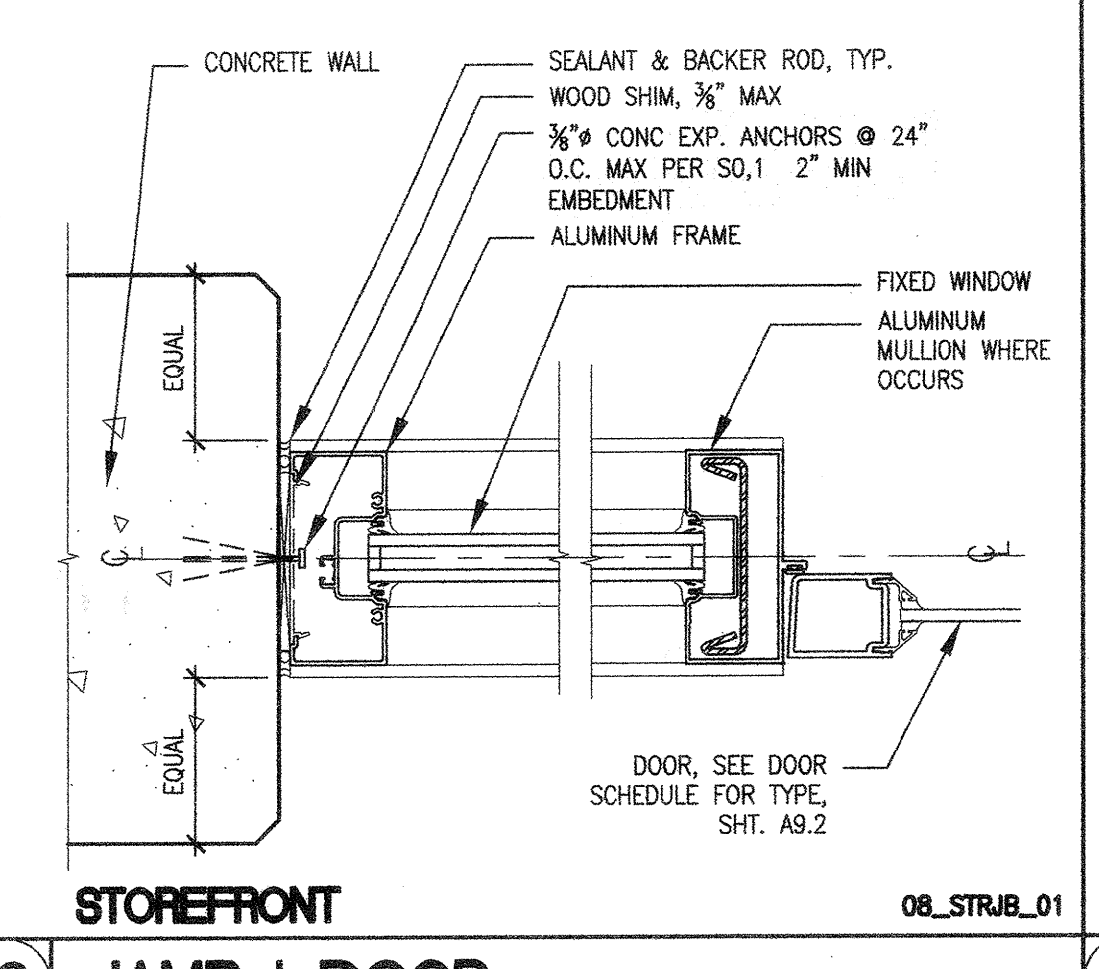
29 DOOR HEAD (FRP DOOR) 3" = 1'-0"



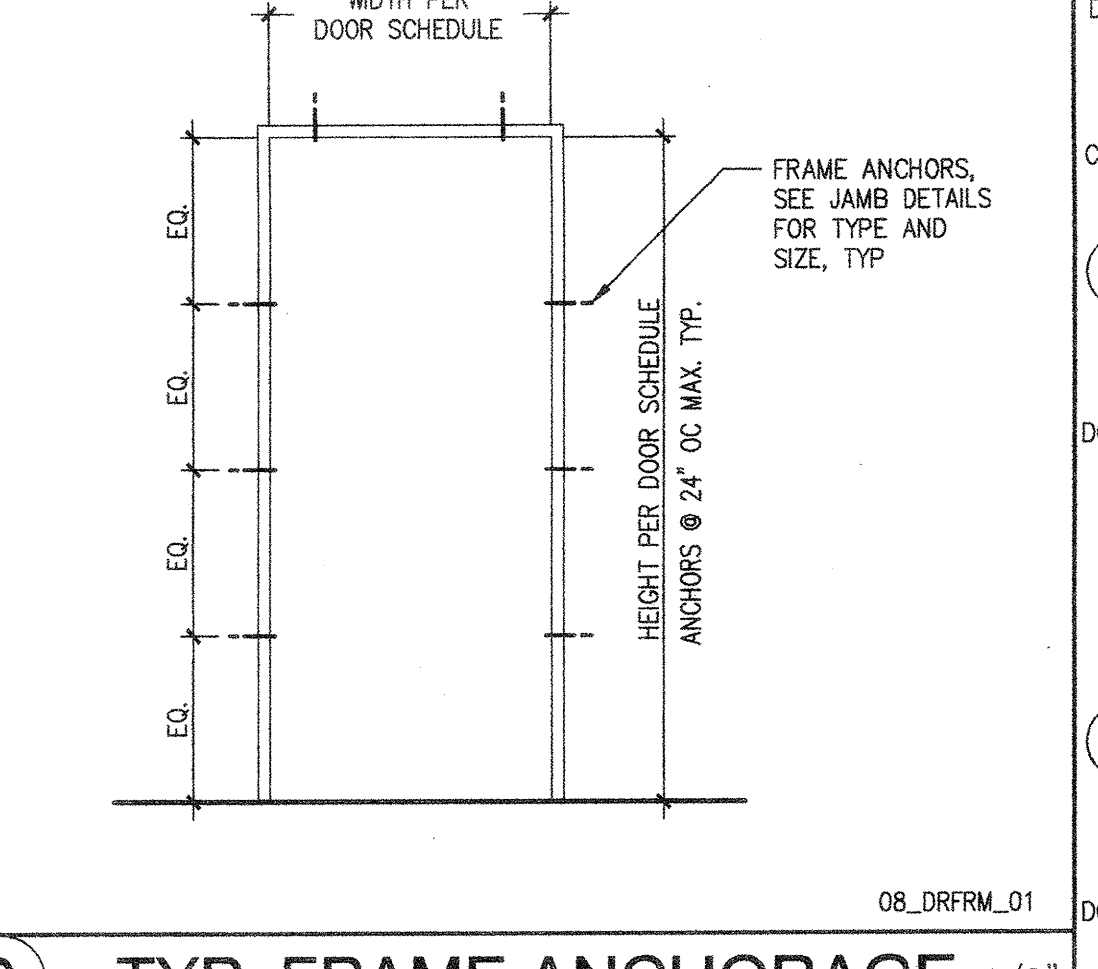
18 FIRE-RATED DOOR 3" = 1'-0"



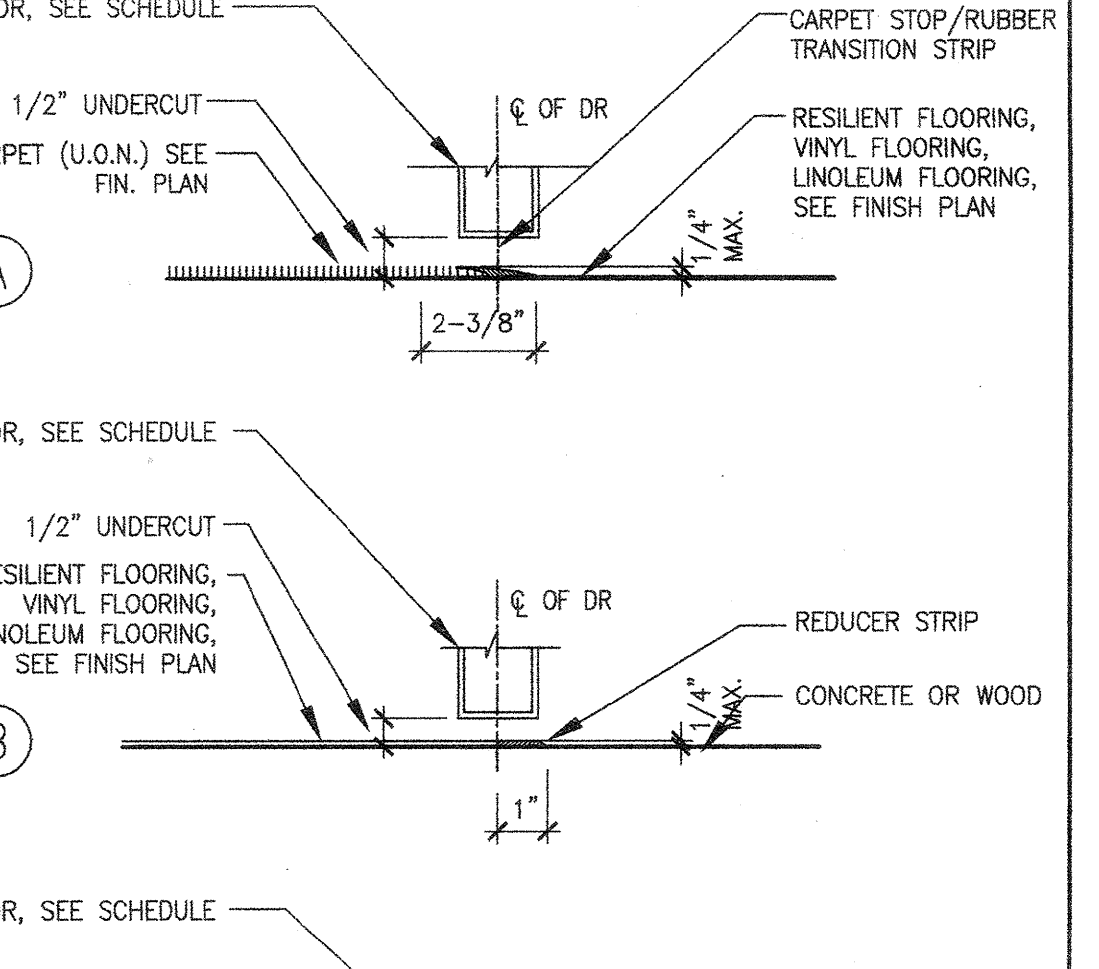
13 JAMB + DOOR 3" = 1'-0"



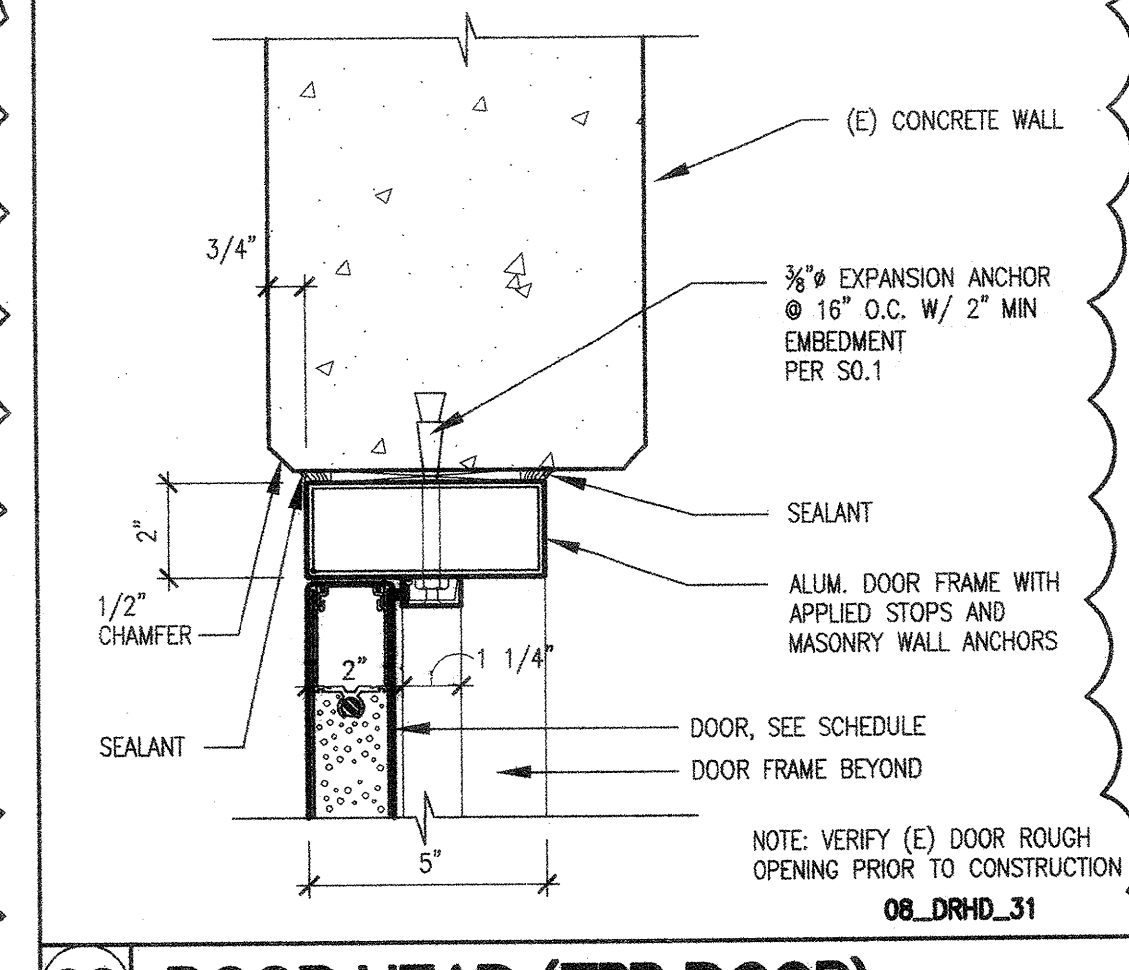
8 TYP. FRAME ANCHORAGE 1/2"



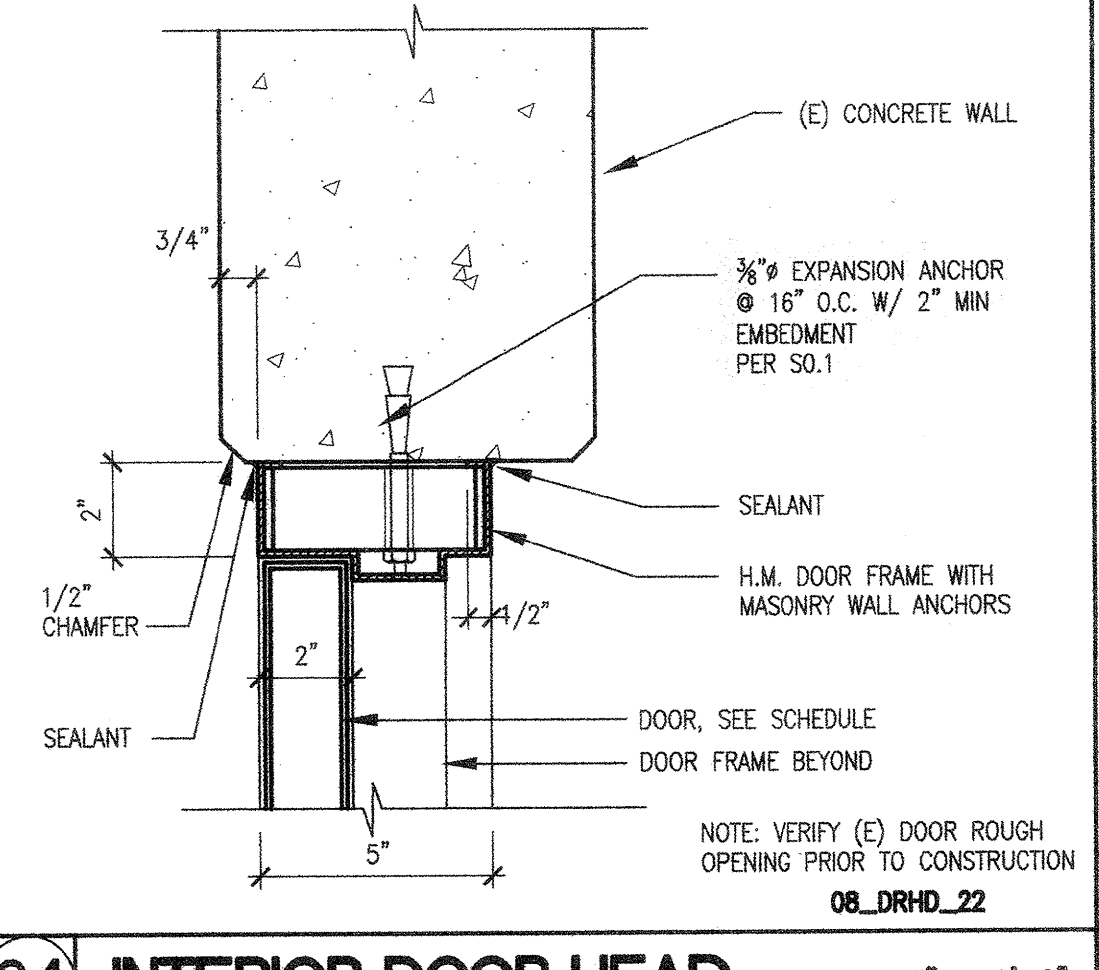
24 INTERIOR DOOR HEAD 3" = 1'-0"



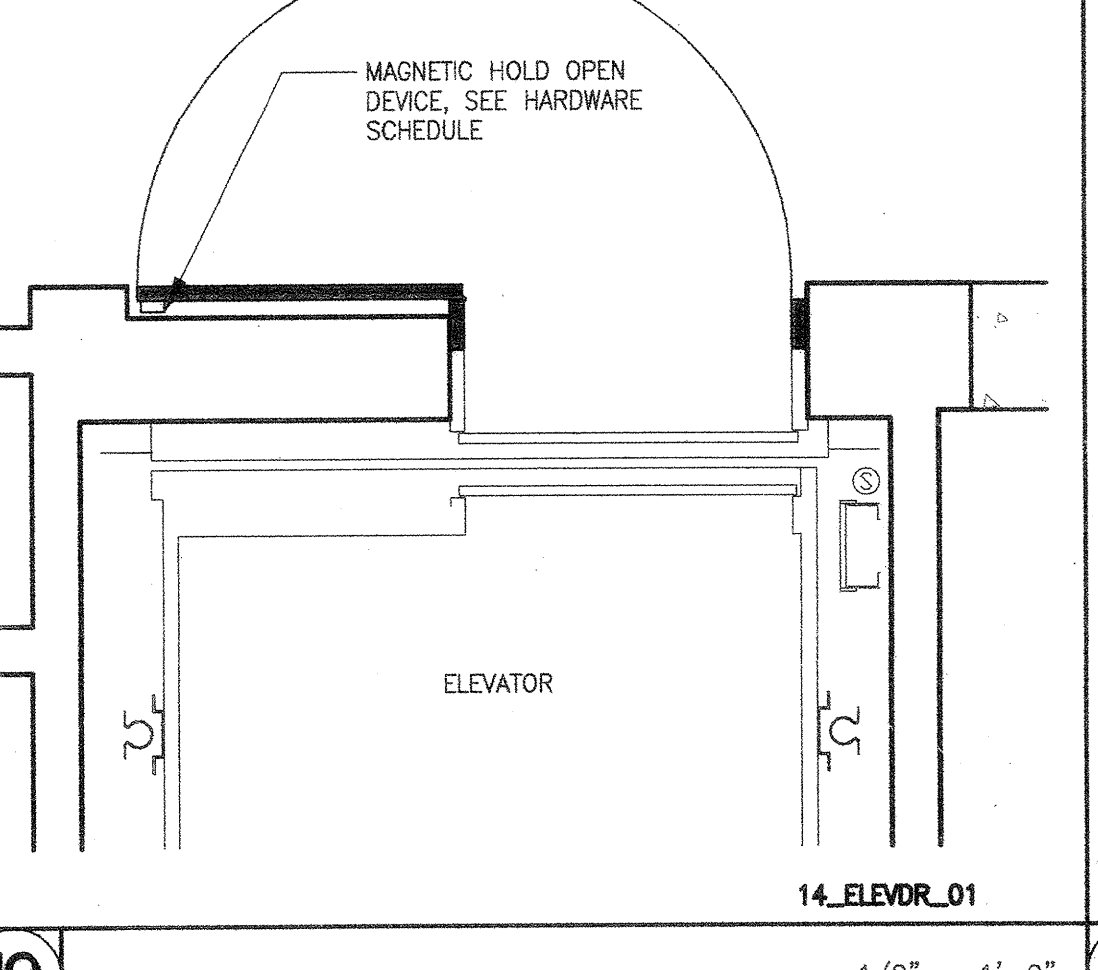
14 SILL 3" = 1'-0"



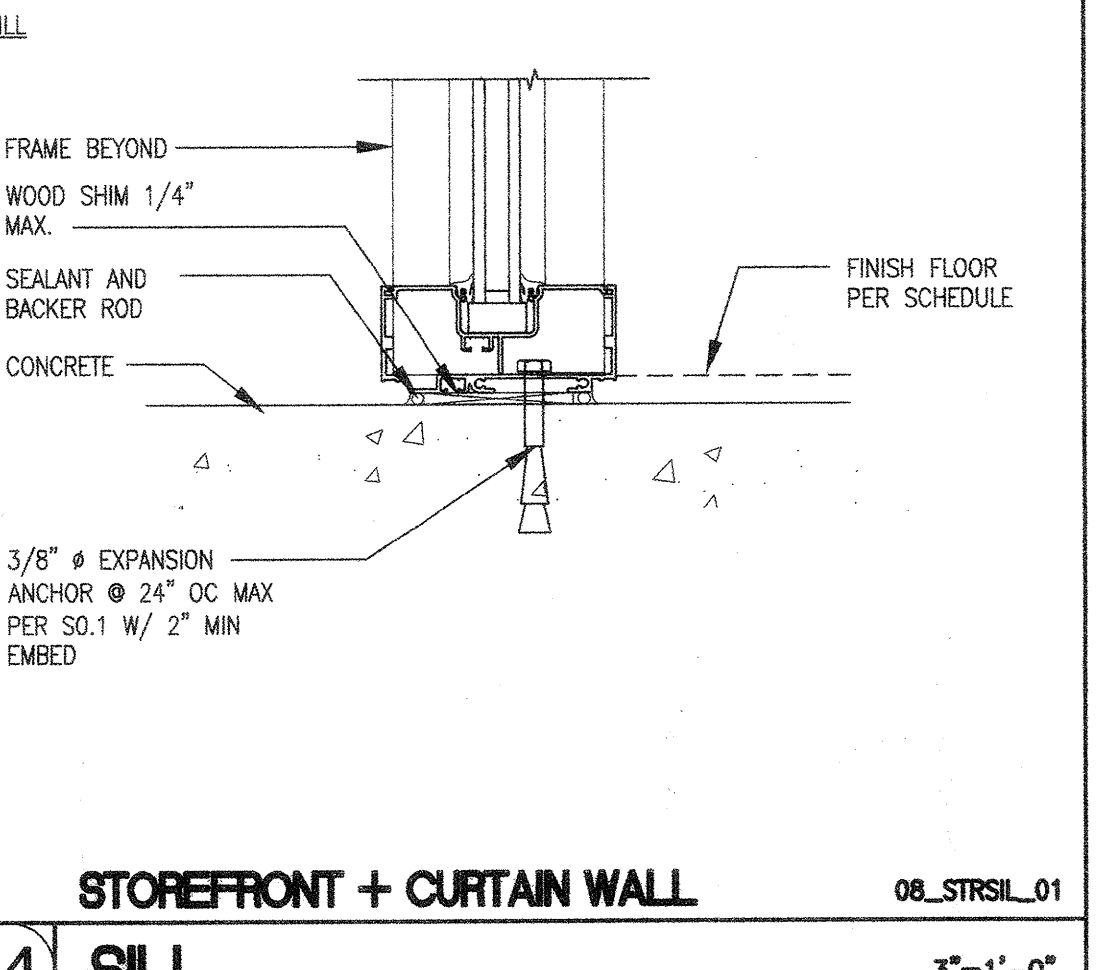
30 DOOR JAMB (FRP DOOR) 3" = 1'-0"



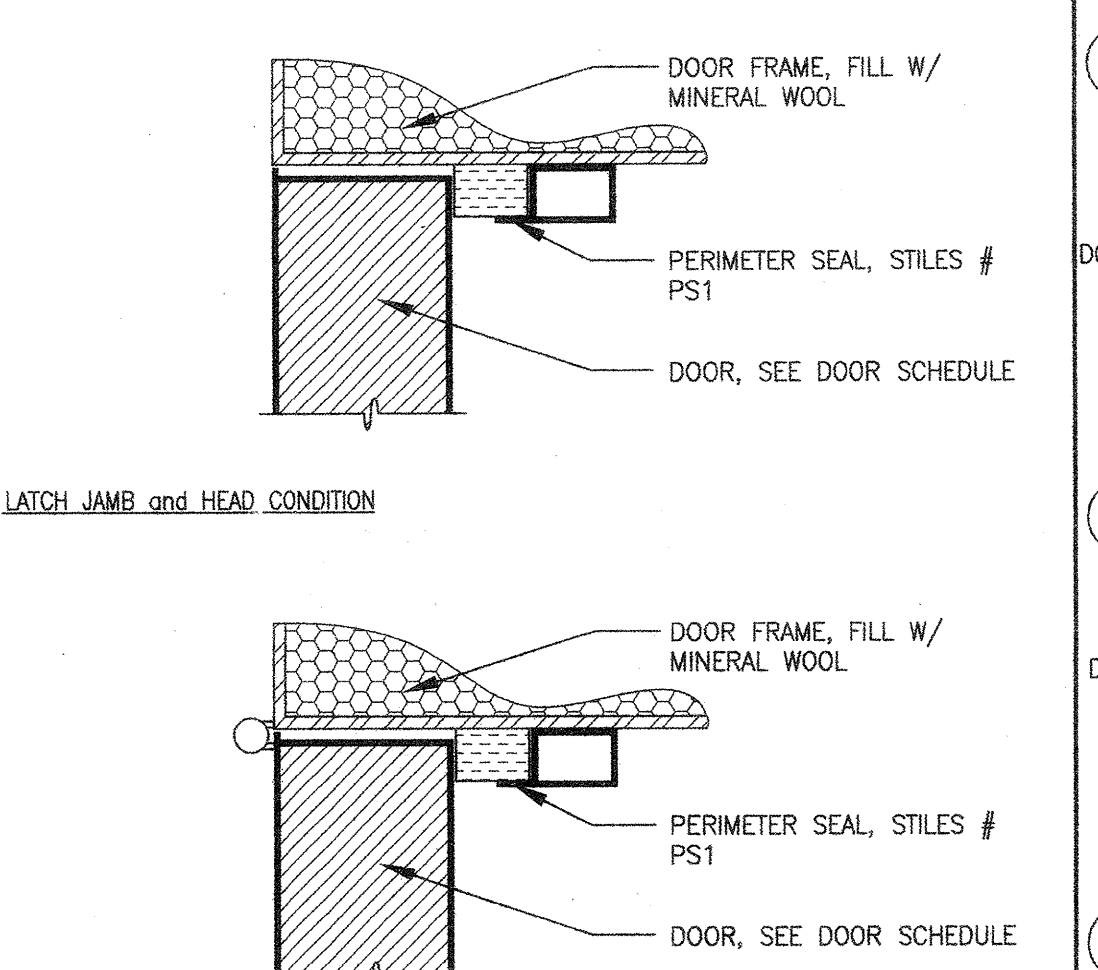
19 - 1/2" = 1'-0"



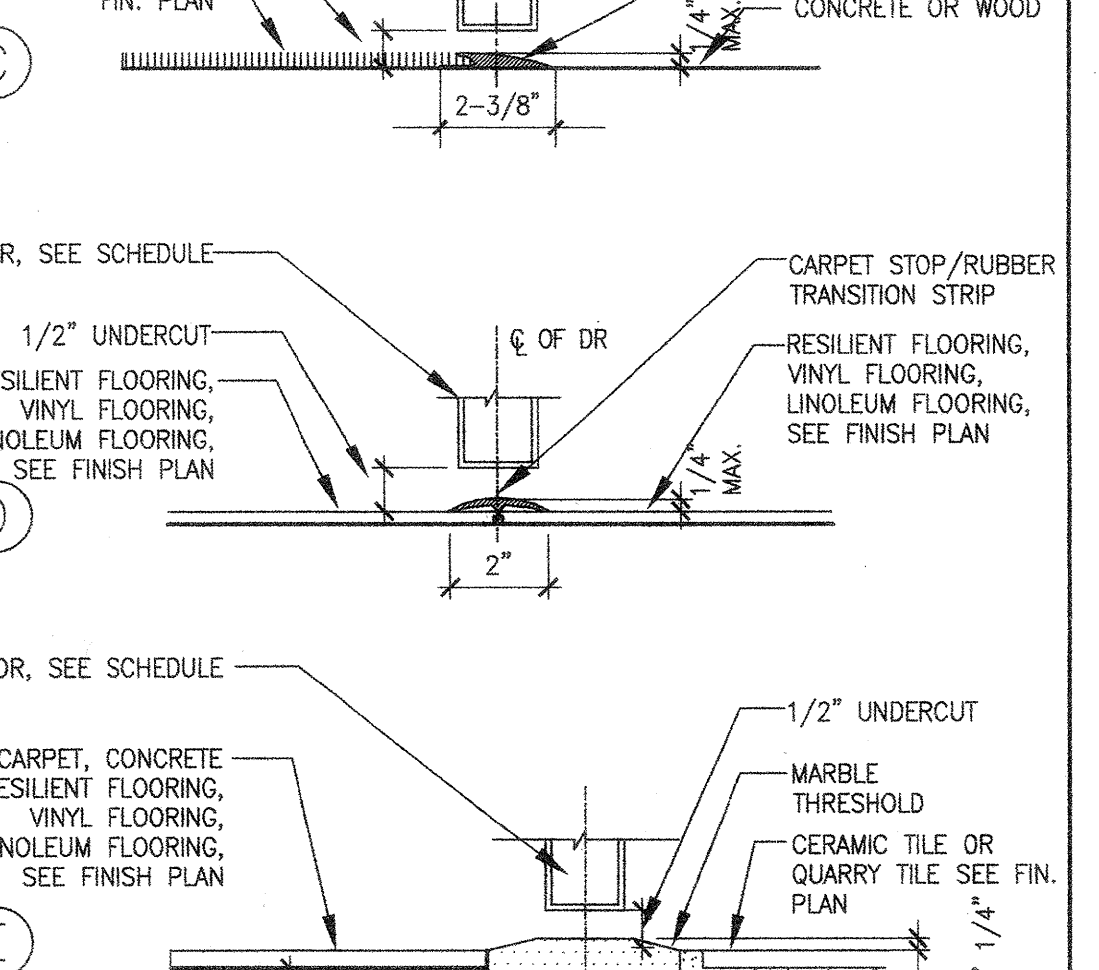
14 SILL 3" = 1'-0"



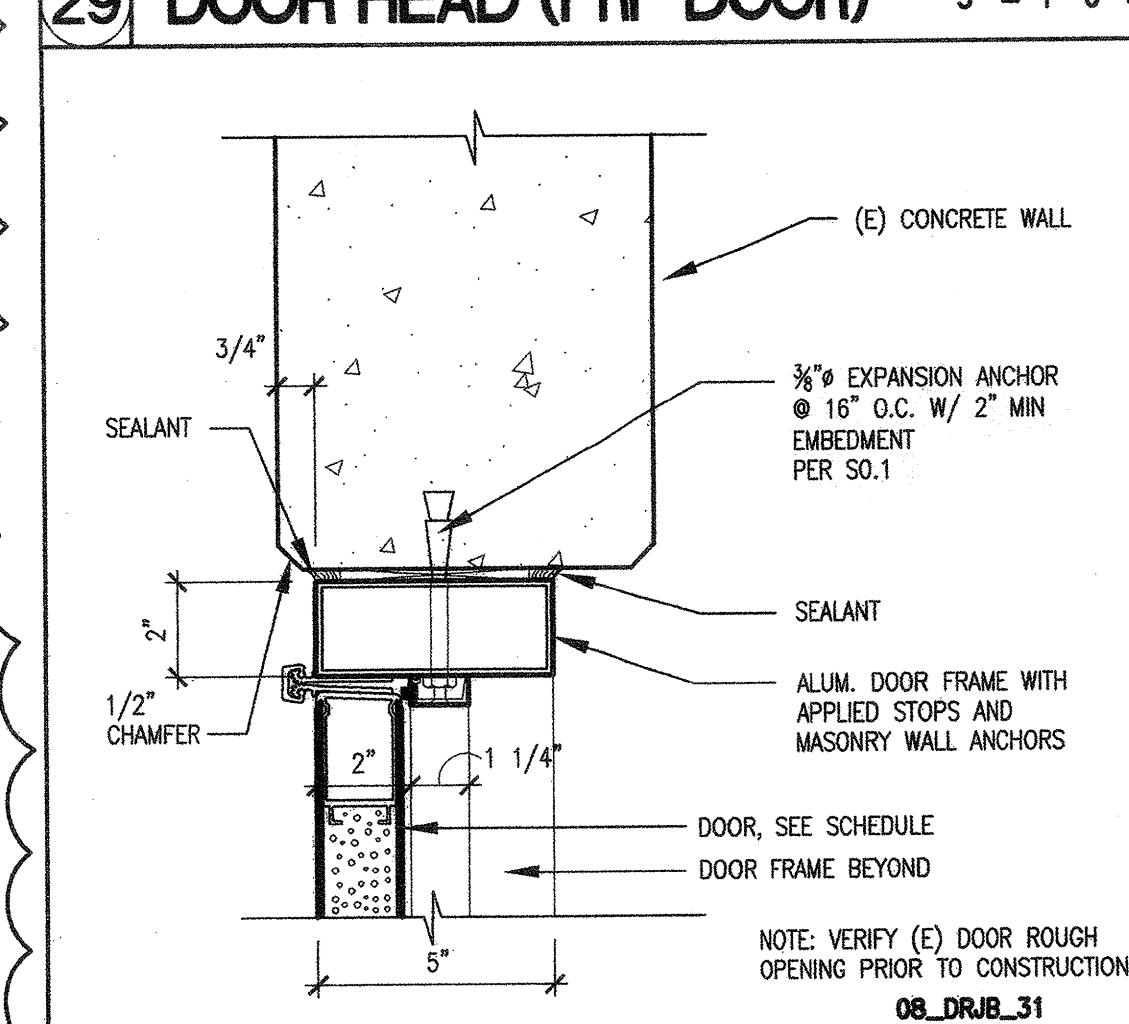
10 ACOUSTICAL DOOR DTLS. 6" = 1'-0"



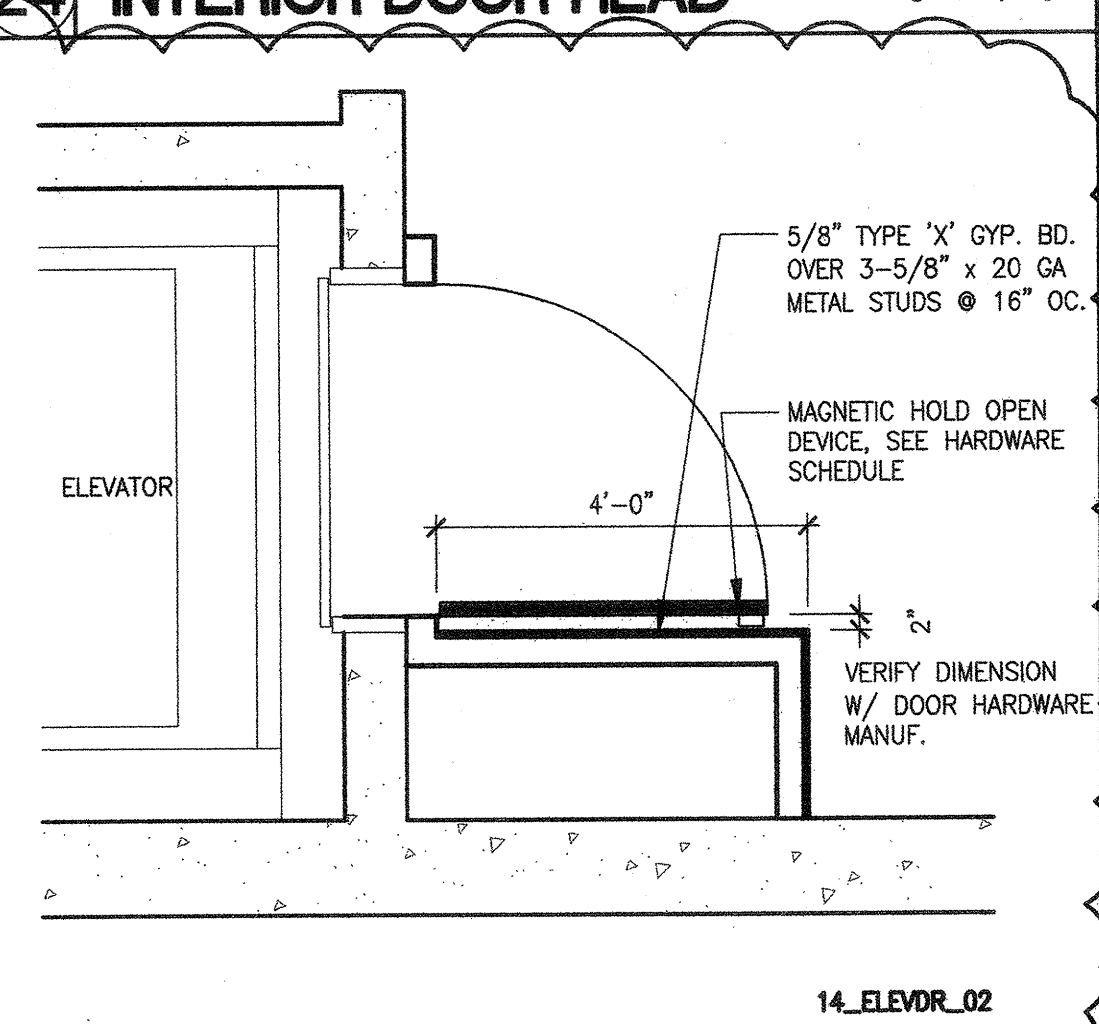
5 THRESHOLD TYPES 3" = 1'-0"



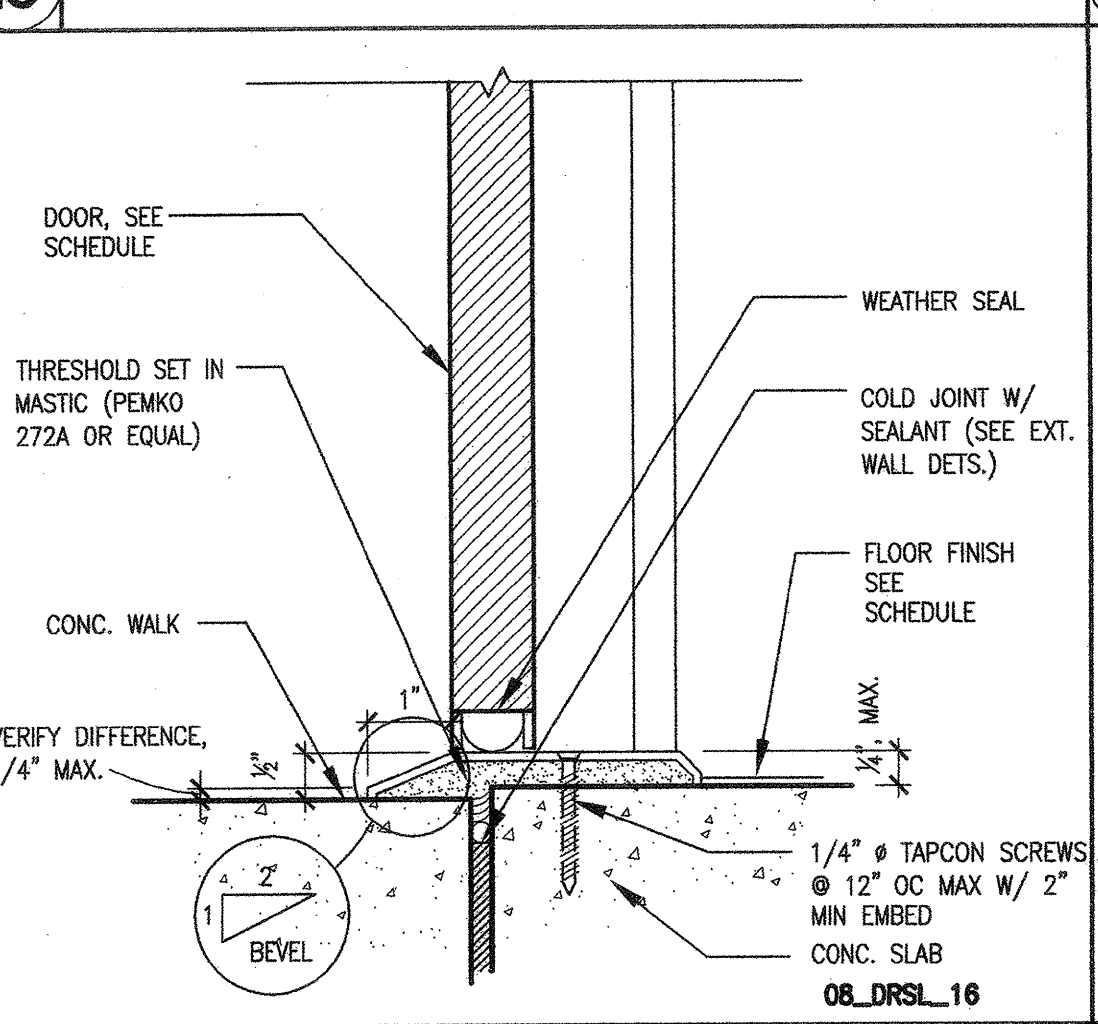
25 FRAMING • ELEVATOR DR. 1/2" = 1'-0"



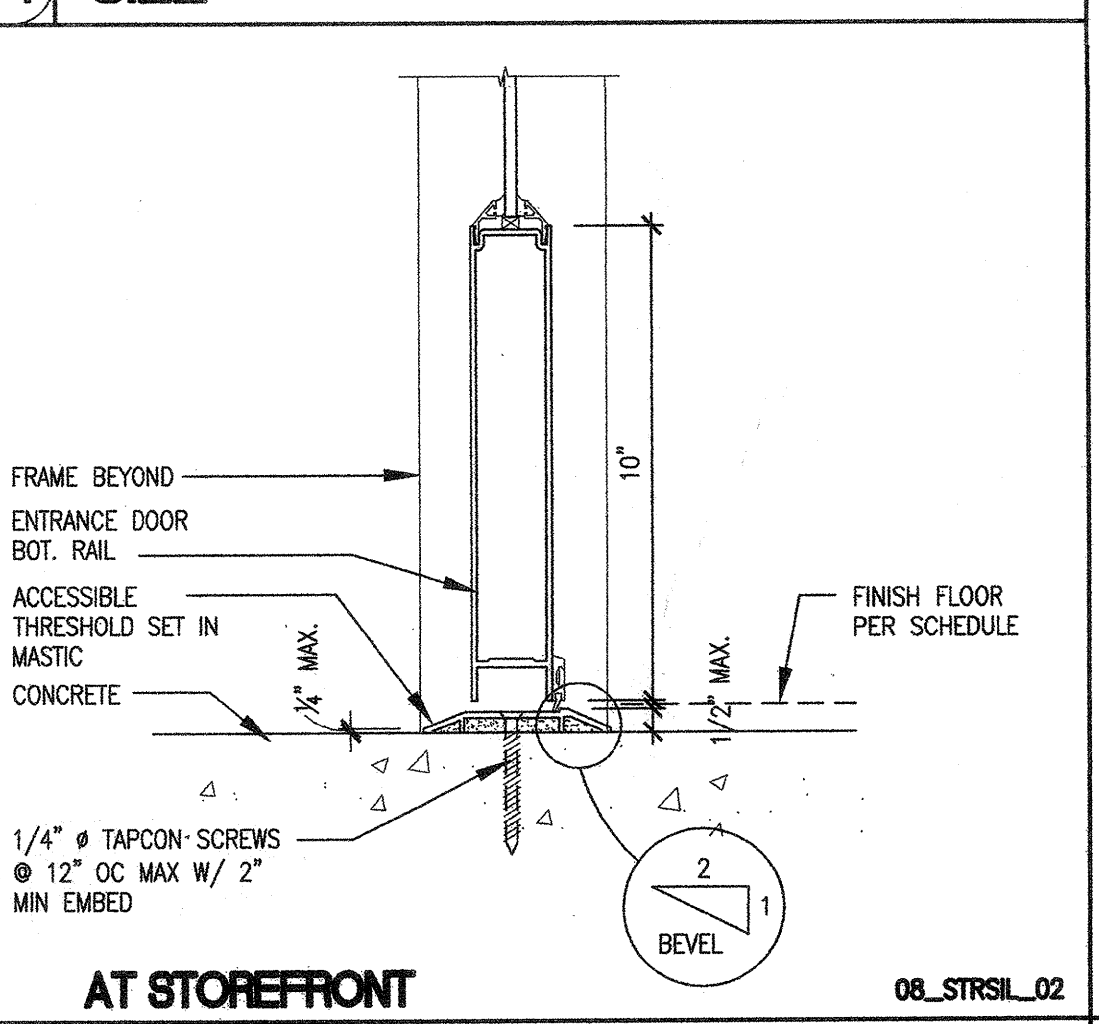
20 TYP. EXT. DOOR THRESHOLD 3" = 1'-0"



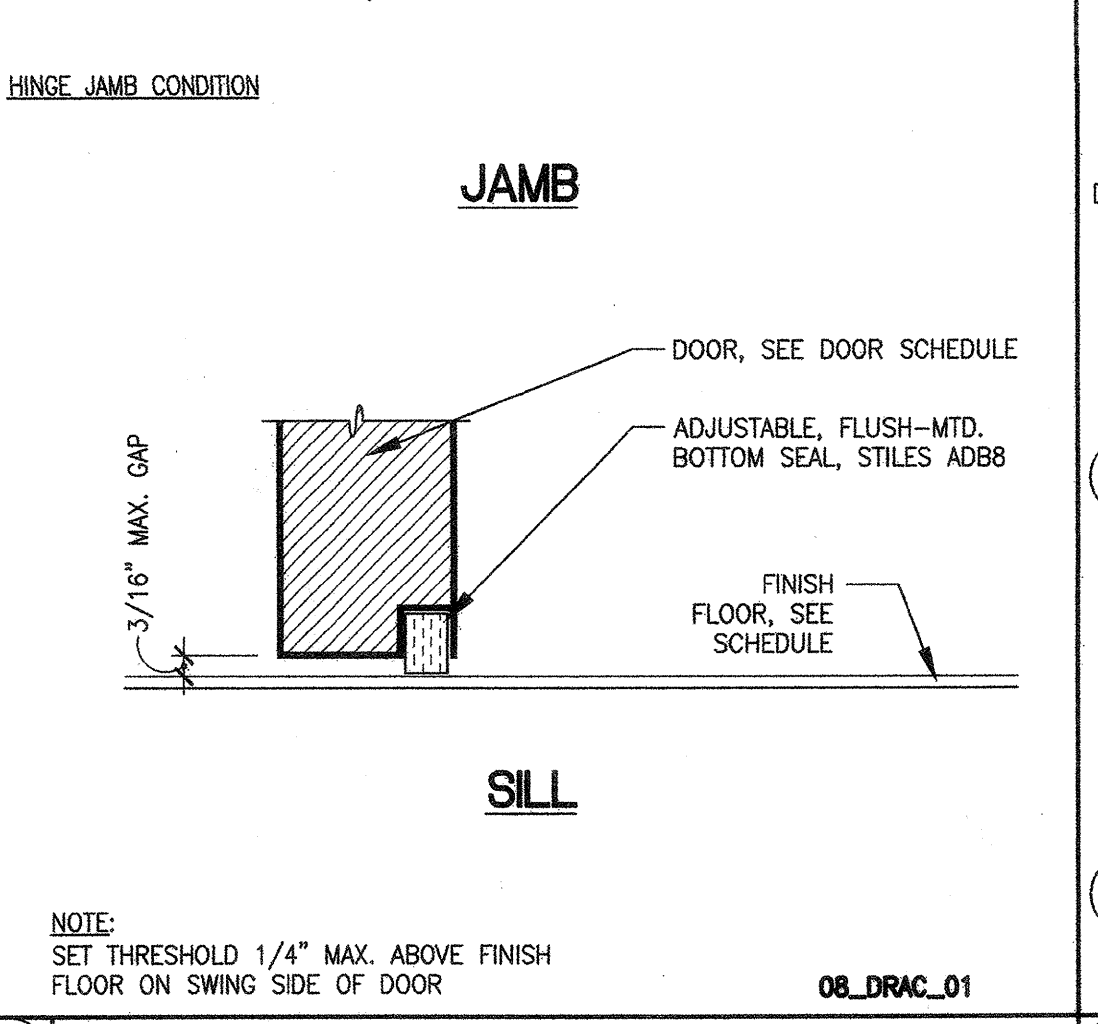
15 ENTRANCE SILL 3" = 1'-0"



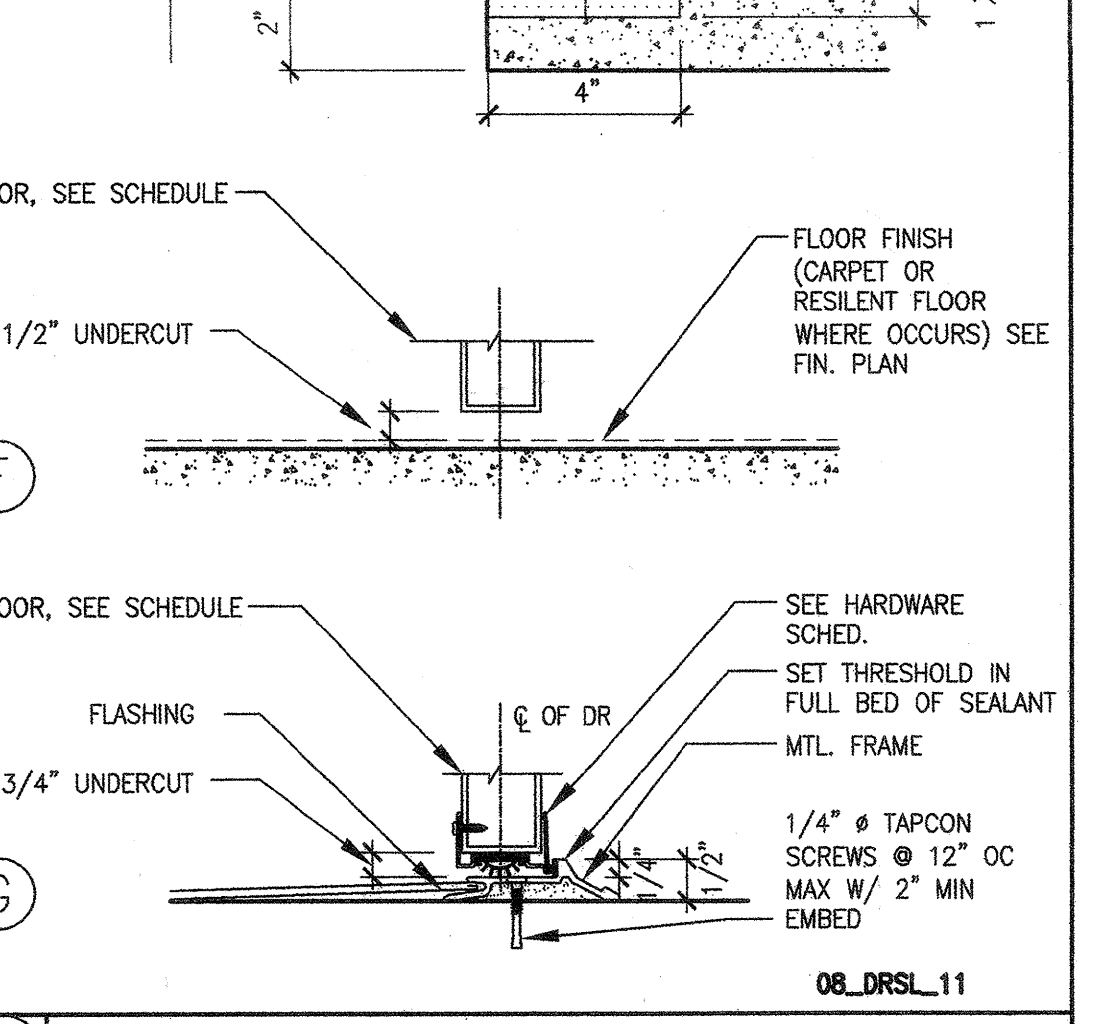
10 ACOUSTICAL DOOR DTLS. 6" = 1'-0"



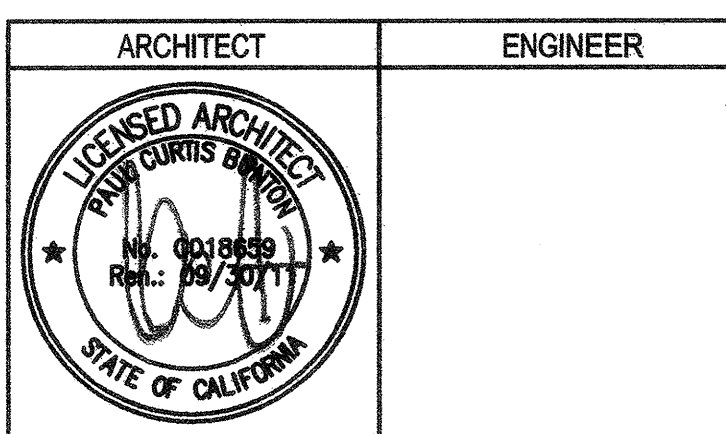
5 THRESHOLD TYPES 3" = 1'-0"



5 THRESHOLD TYPES 3" = 1'-0"



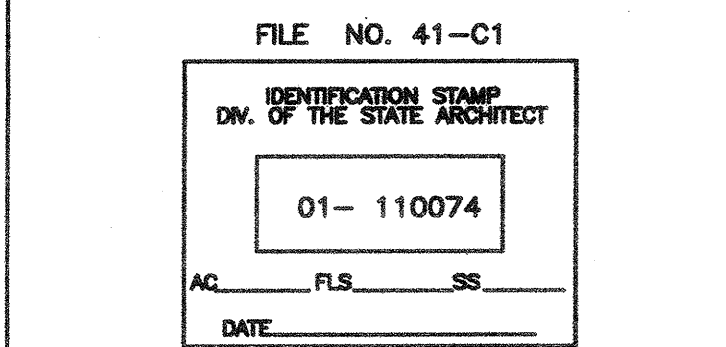
5 THRESHOLD TYPES 3" = 1'-0"



1. This sheet is part of a set and is not to be used alone.
 2. This sheet is not to be used for construction unless the architect's stamp and signature appear on the drawings and the status box indicates changes have been released for construction.
 3. These plans and prints thereof, as instruments of service, are owned by the architect and are for use on this project only. Reproduction and/or distribution without the prior written consent of the architect is forbidden.
 4. Copyright Bunton Clifford Associates, 2009

REVISIONS	DATE
ADDENDUM NO. 1	09/18/09
ADDENDUM NO. 2	11/09/09

DRAWING STATUS	DATE
DSA PLAN CHECK	09/29/08
DSA BACK CHECK	01/22/09
ISSUING	09/18/09
CONSTRUCTION	



BUILDINGS 5 & 6 RENOVATIONS
 San Mateo County Community College District

CAÑADA COLLEGE
 4200 Farm Hill Boulevard
 Redwood City, CA 94061

DOOR & WINDOW DETAILS
 Date: 08/29/08
 Scale: AS NOTED
 Project Number: 07013
 Drawing Number: **A10.81**