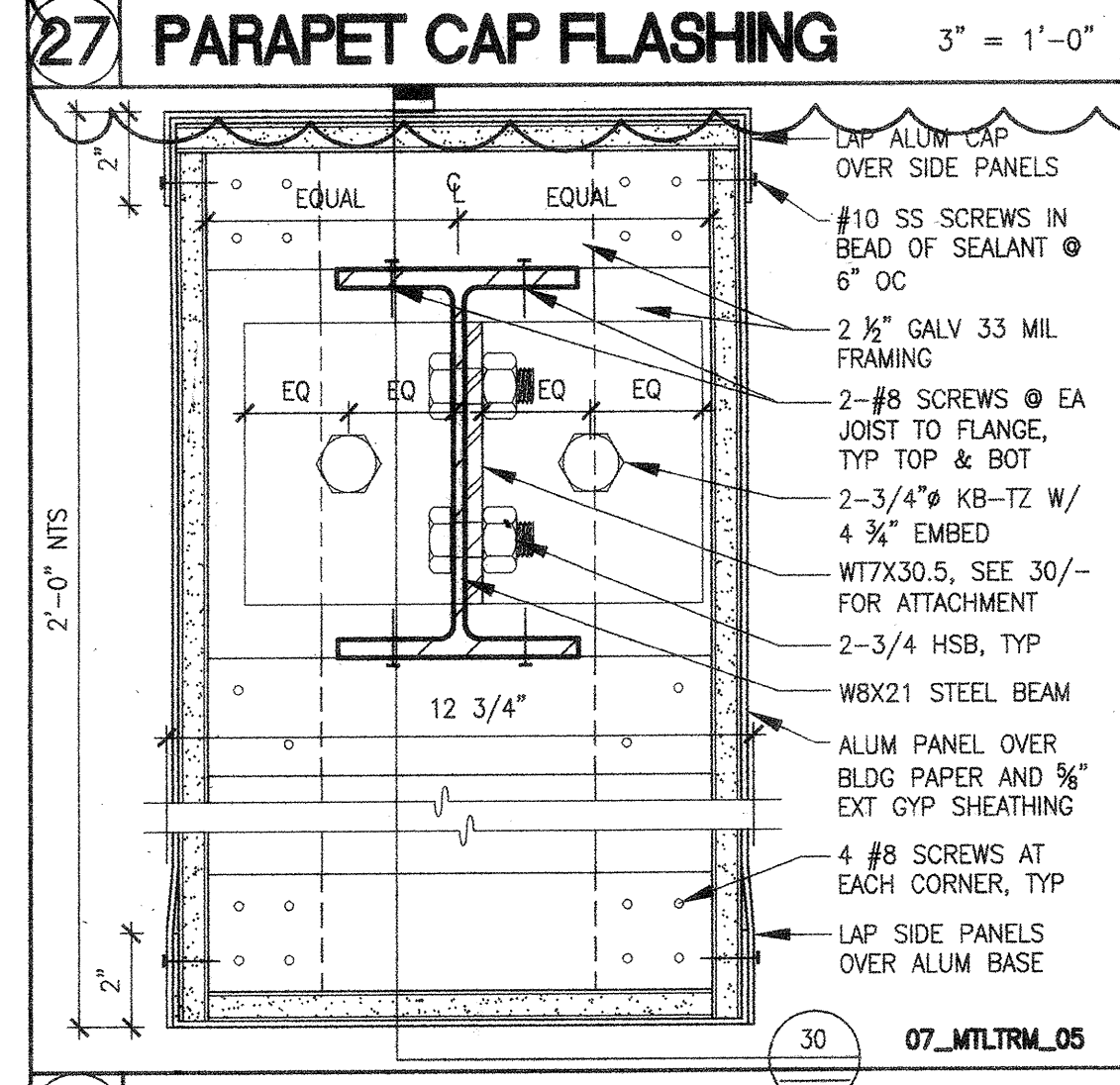
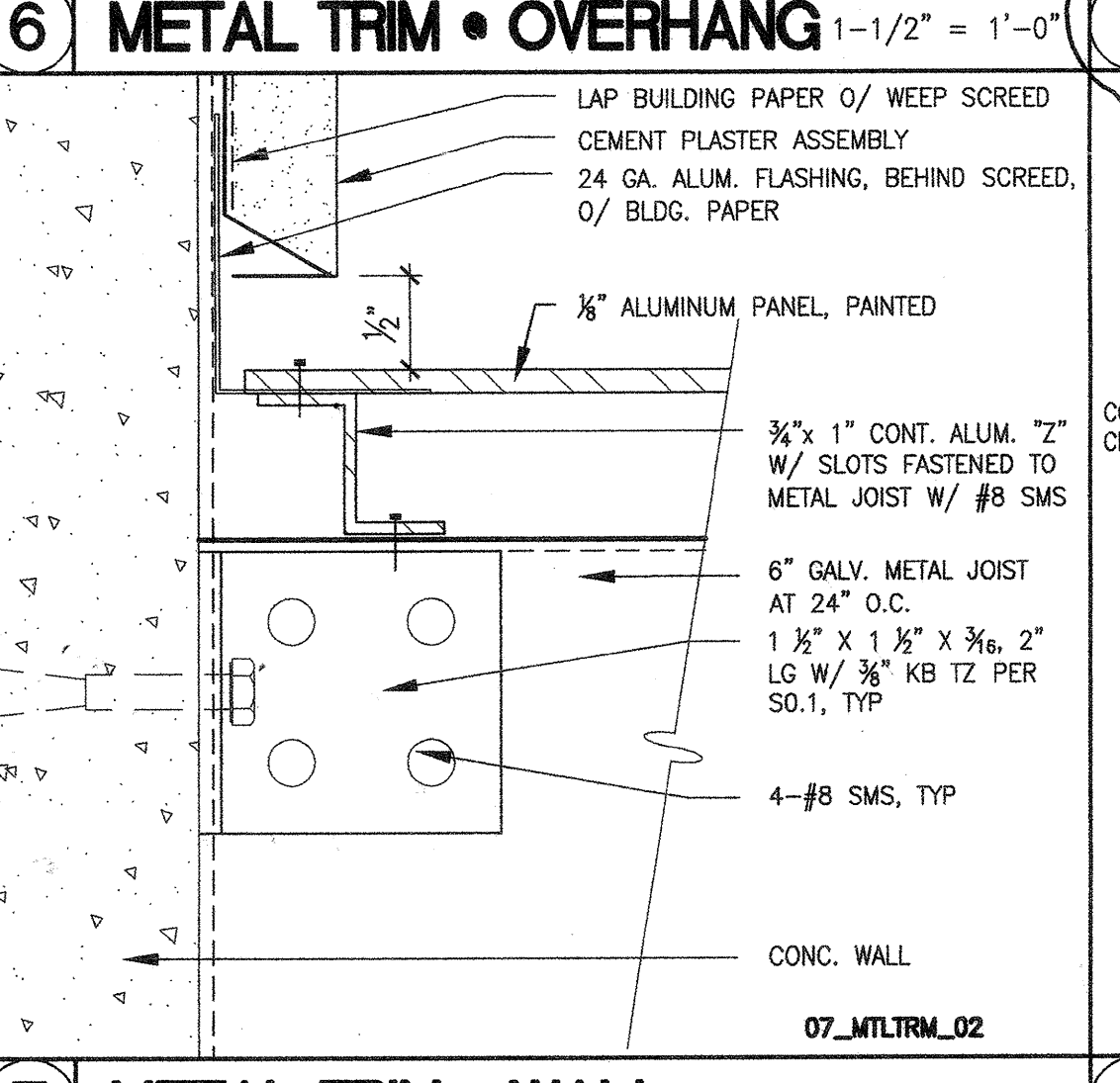
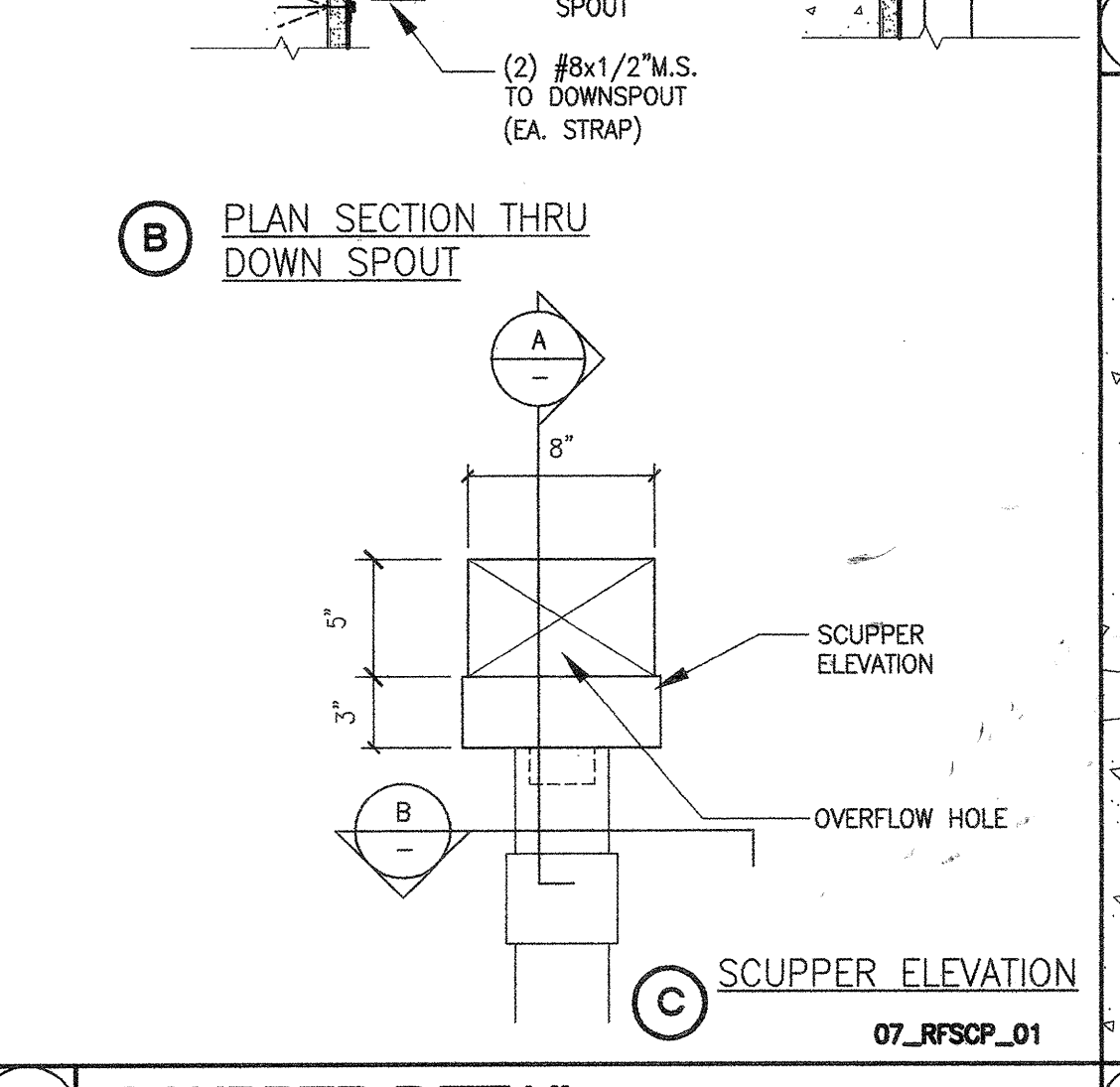
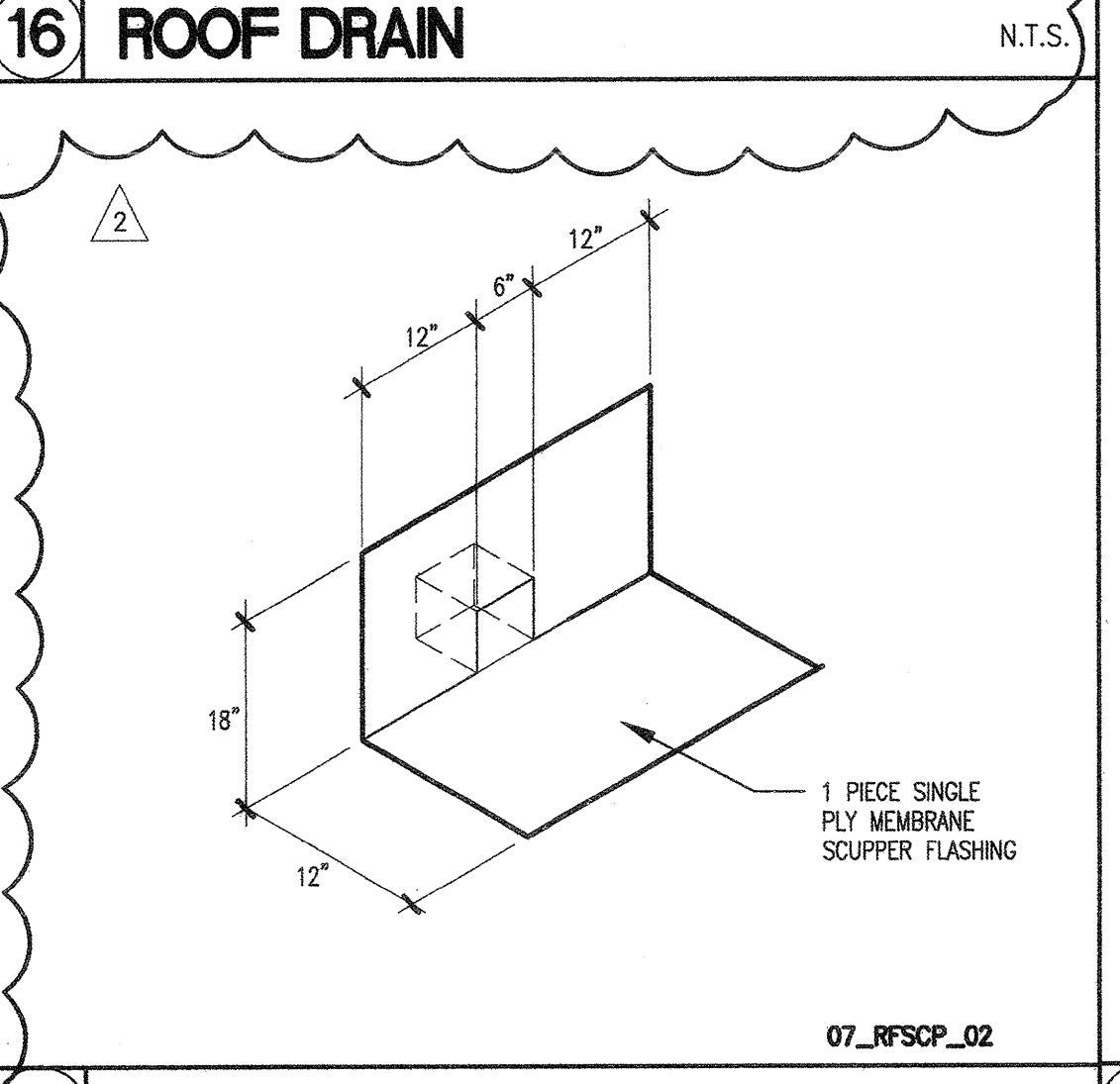
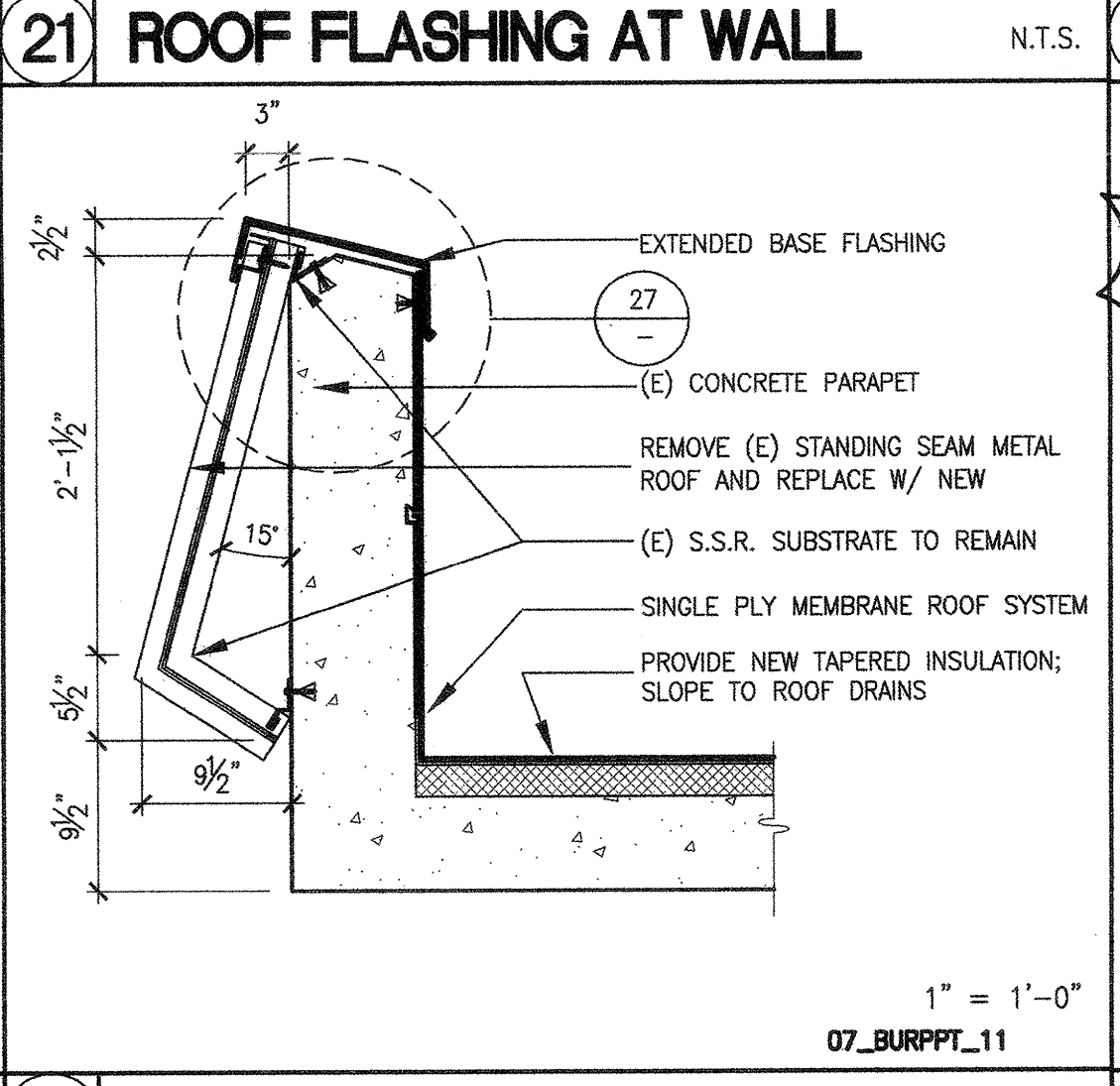
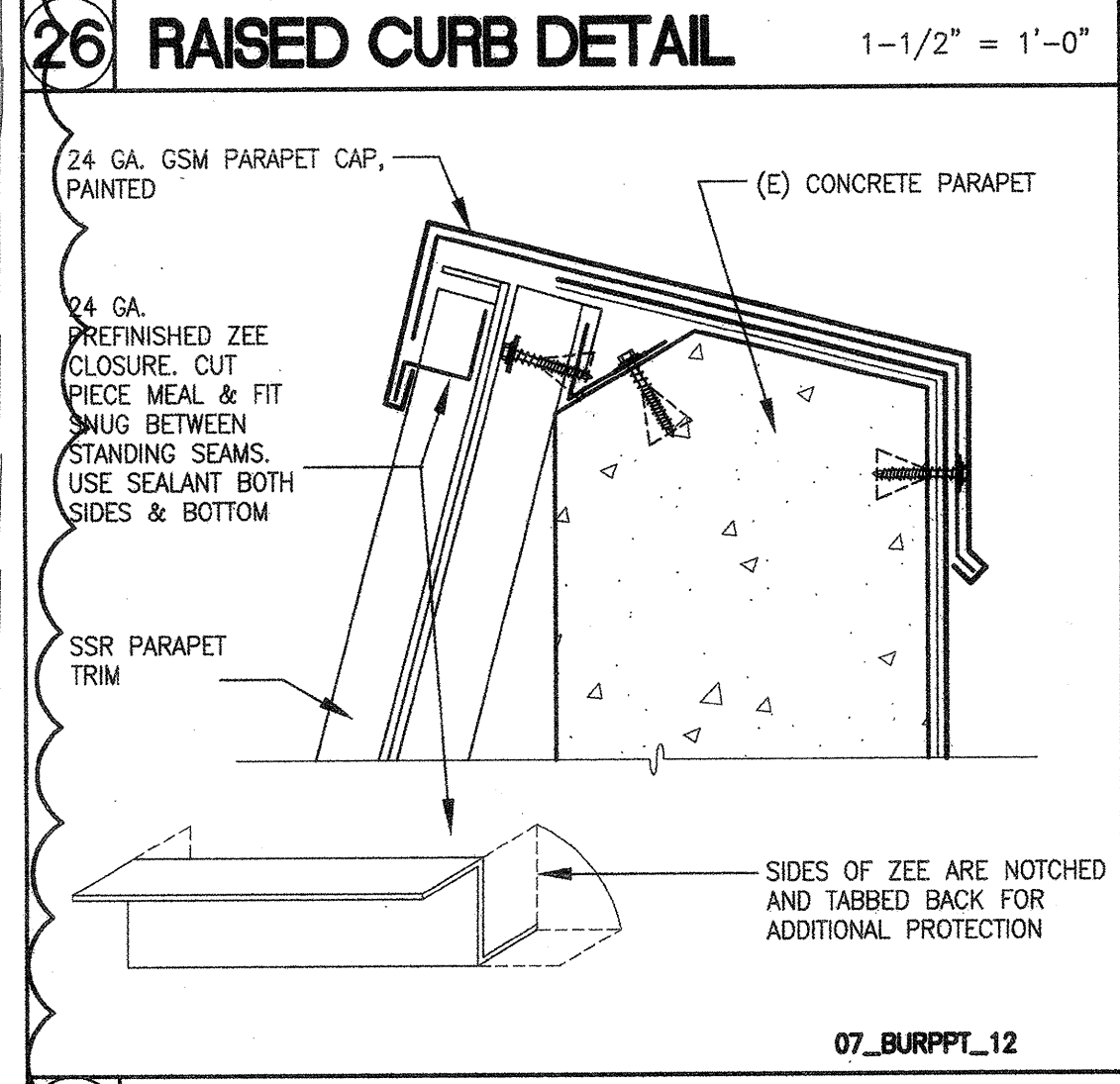
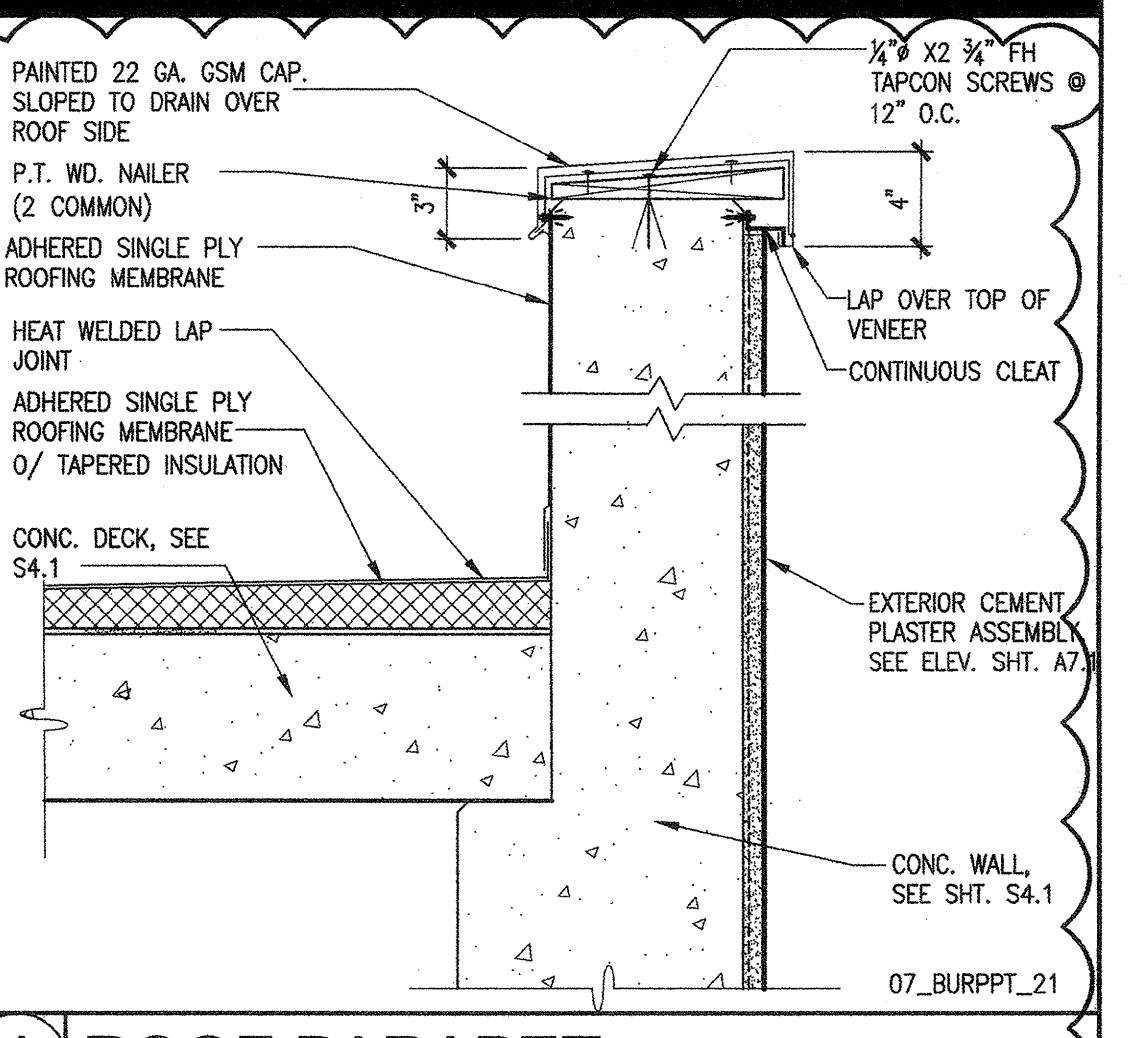
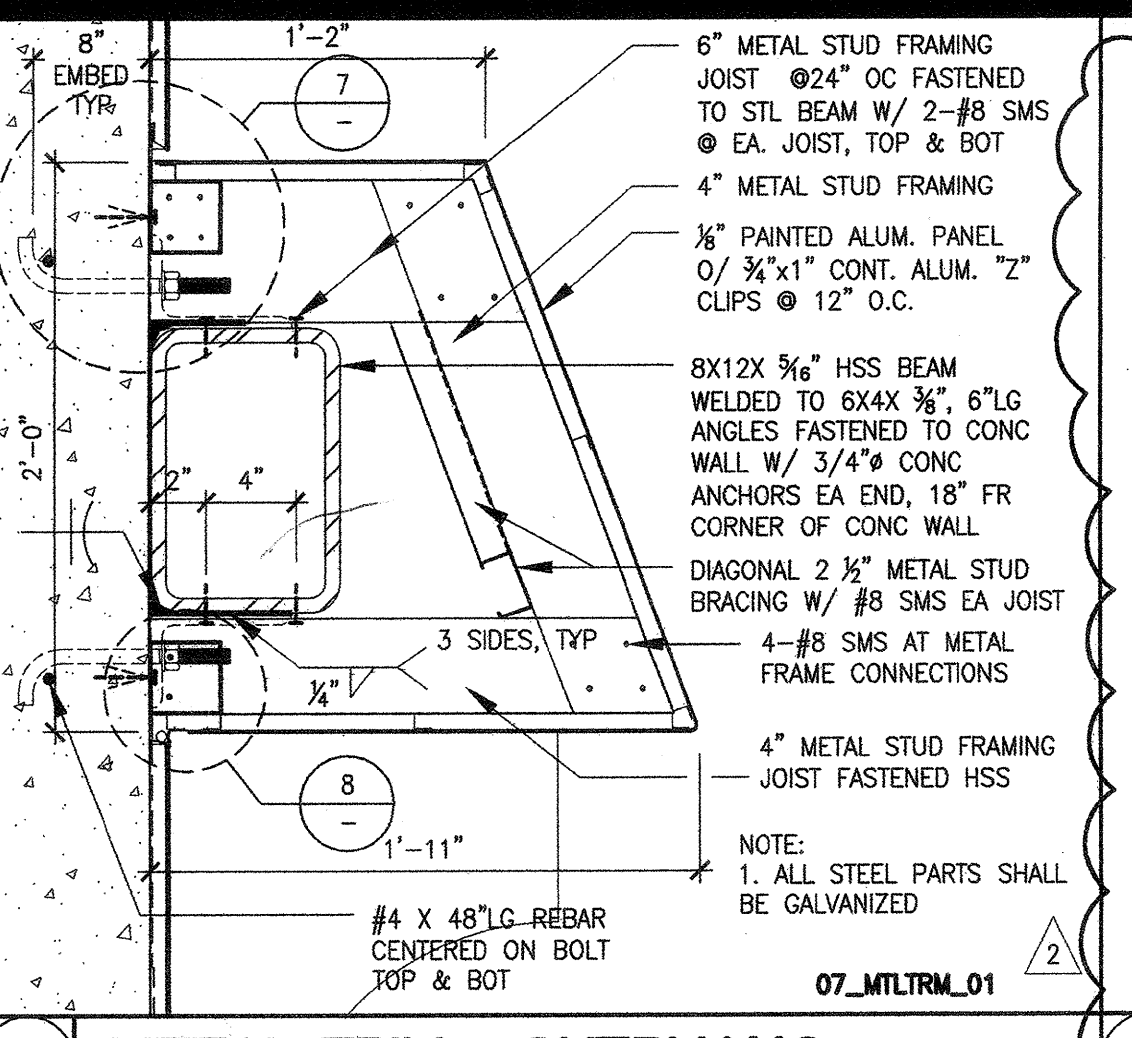
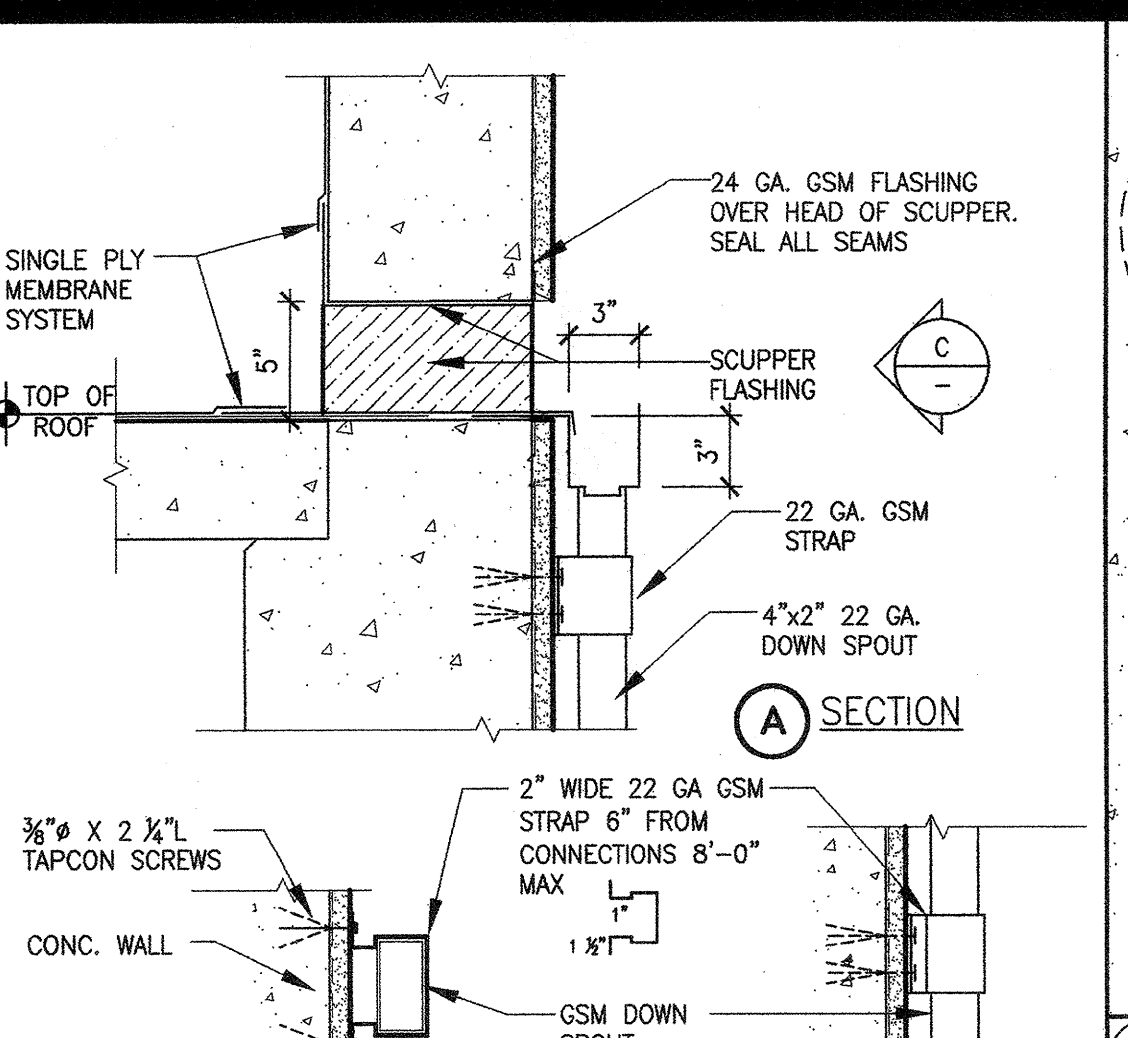
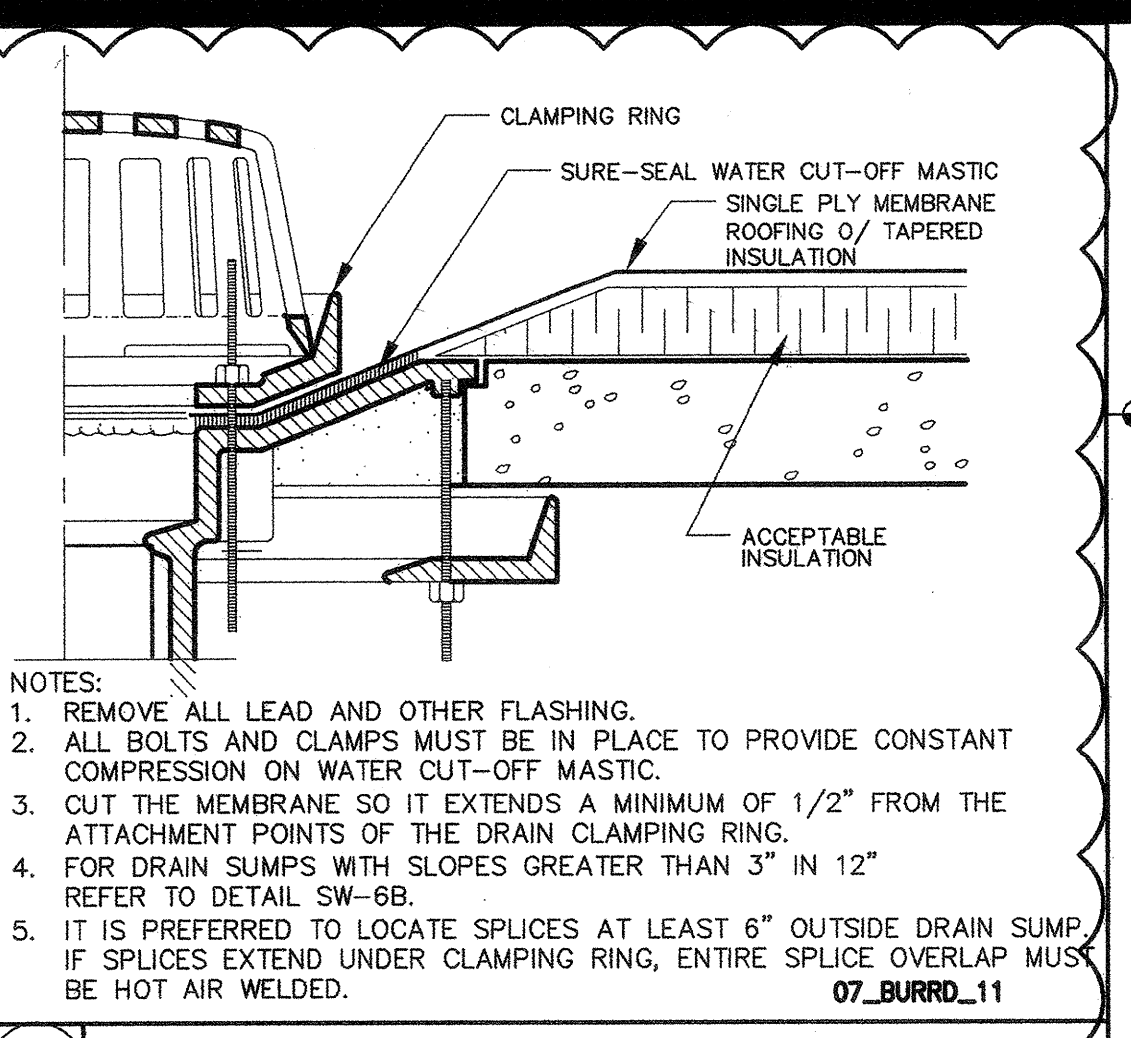
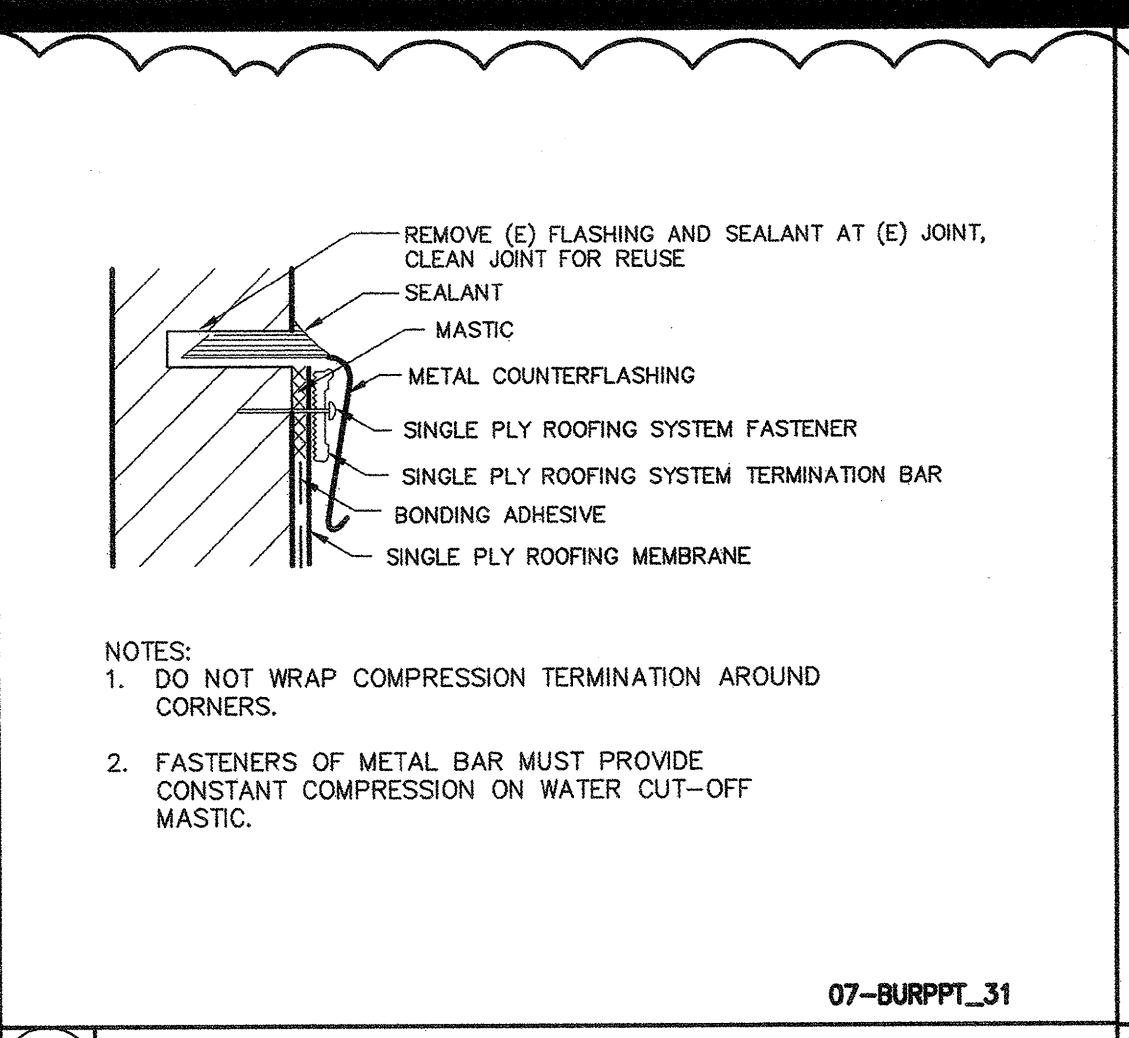
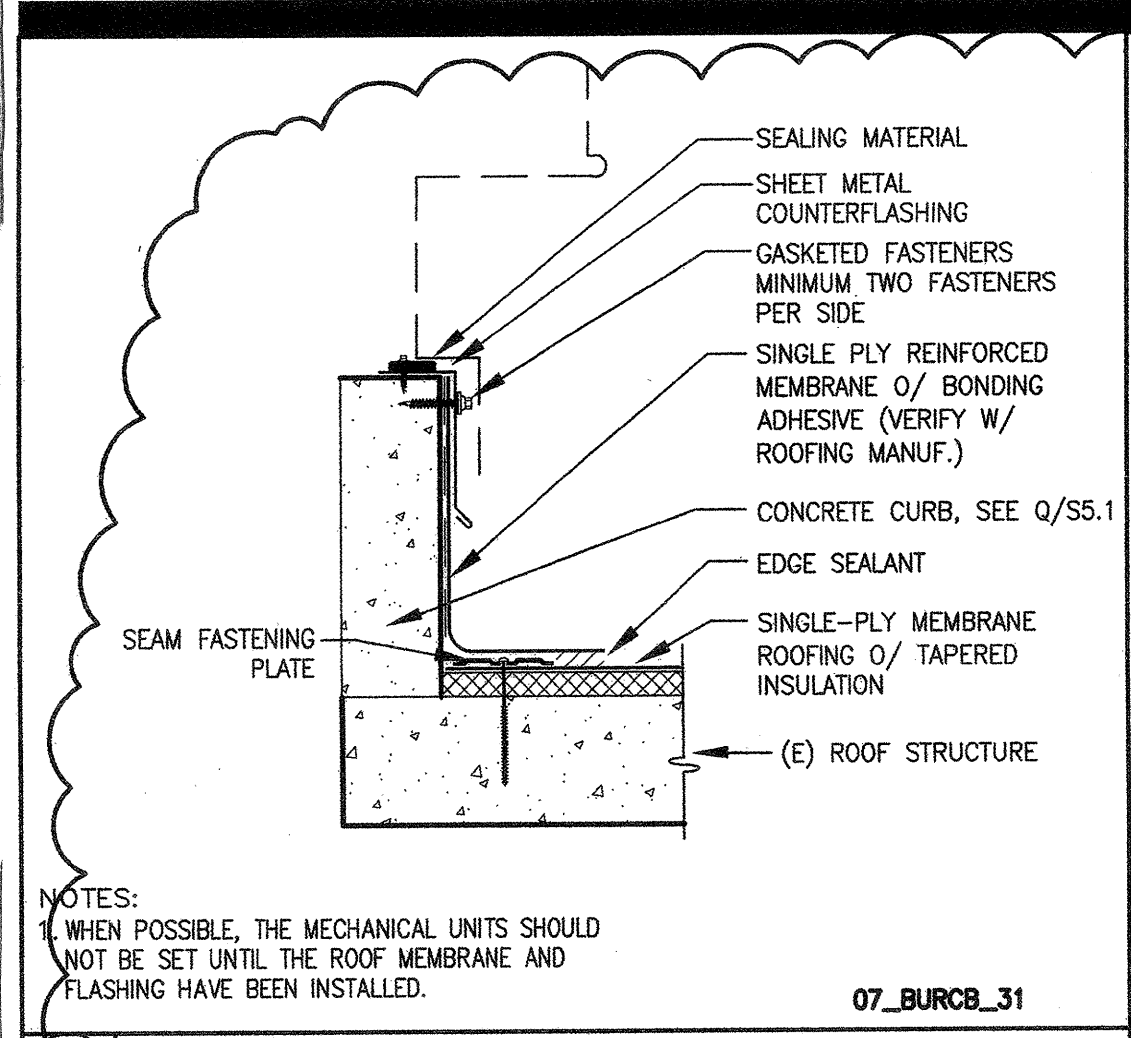


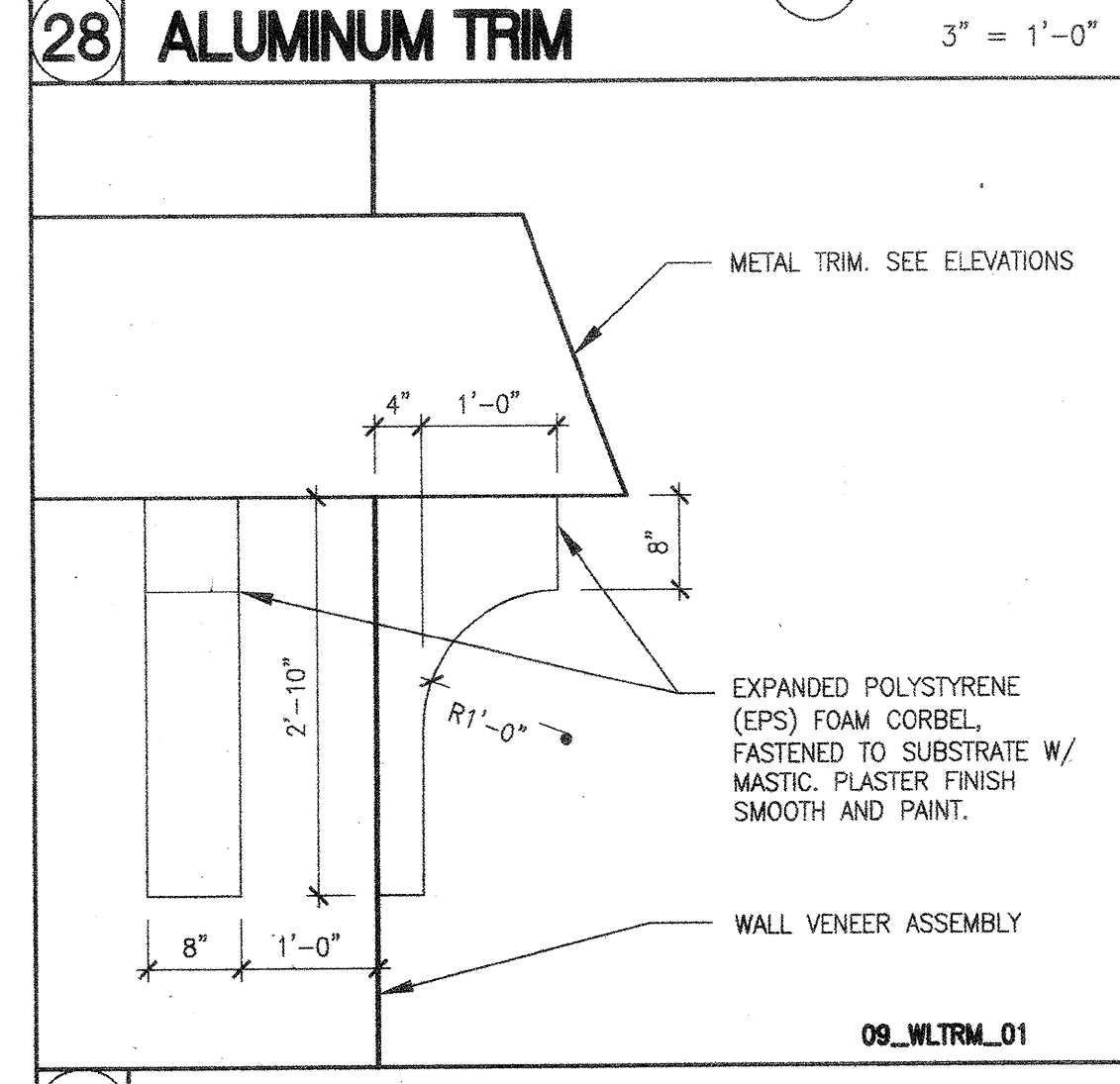
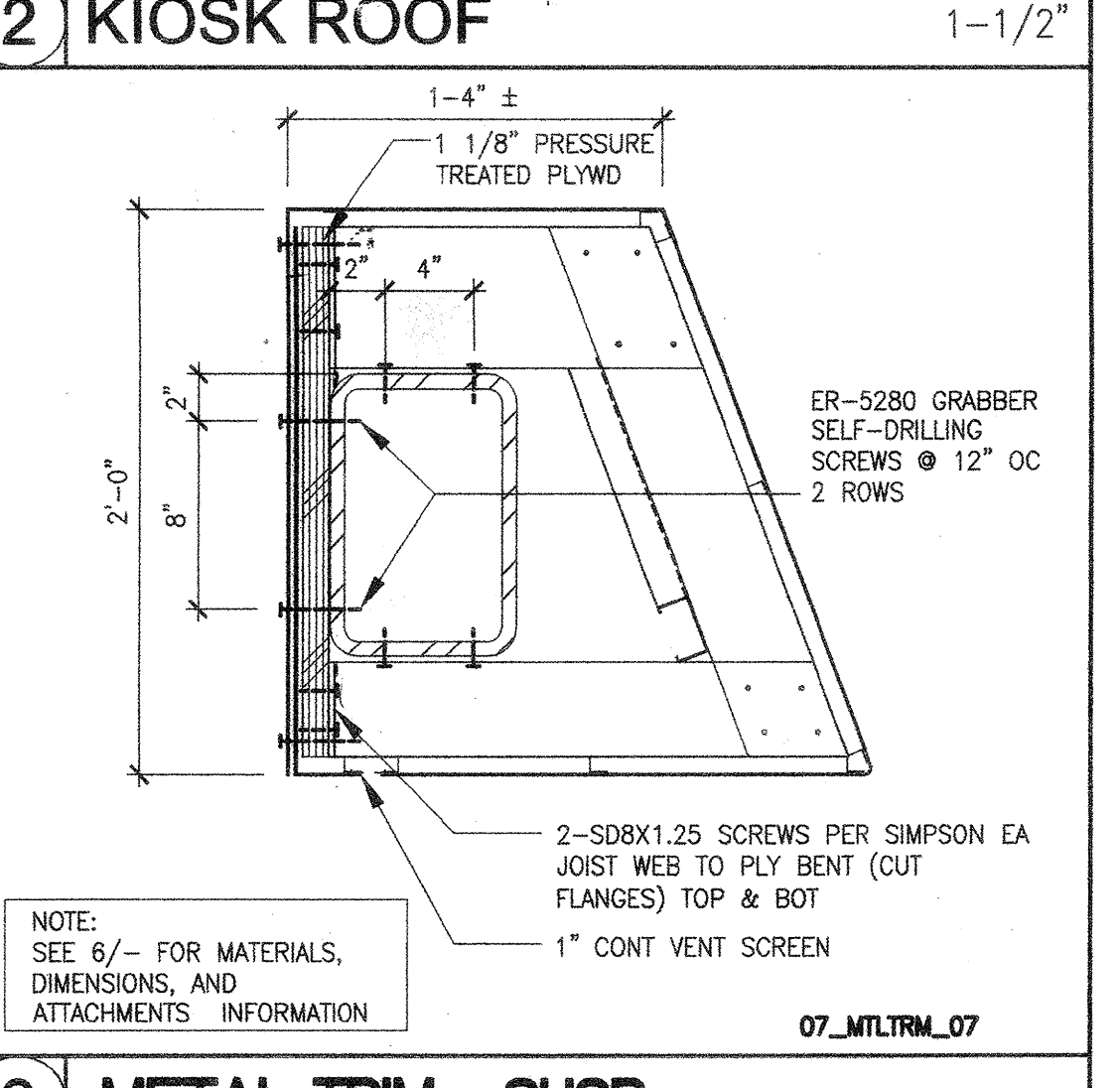
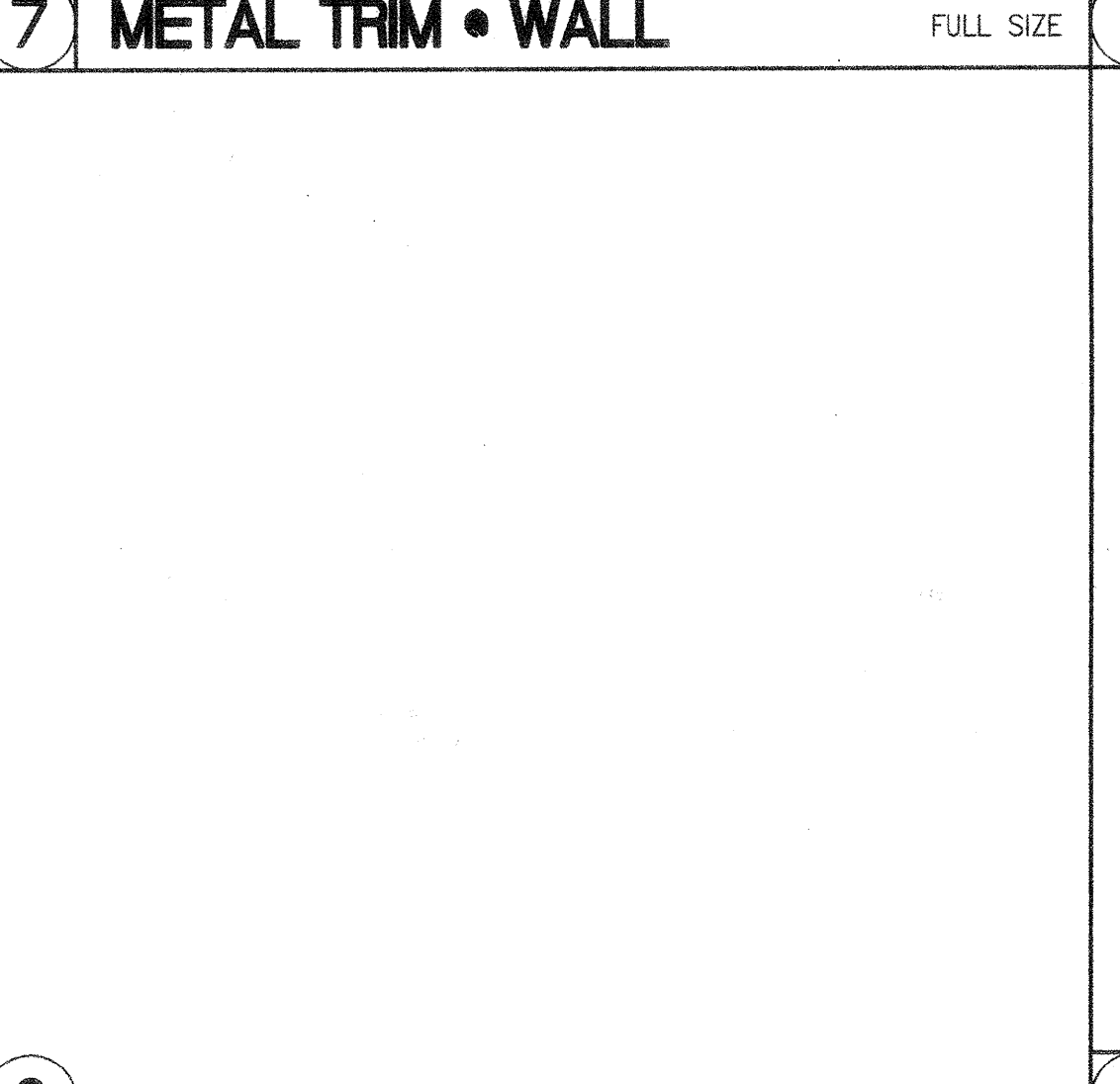
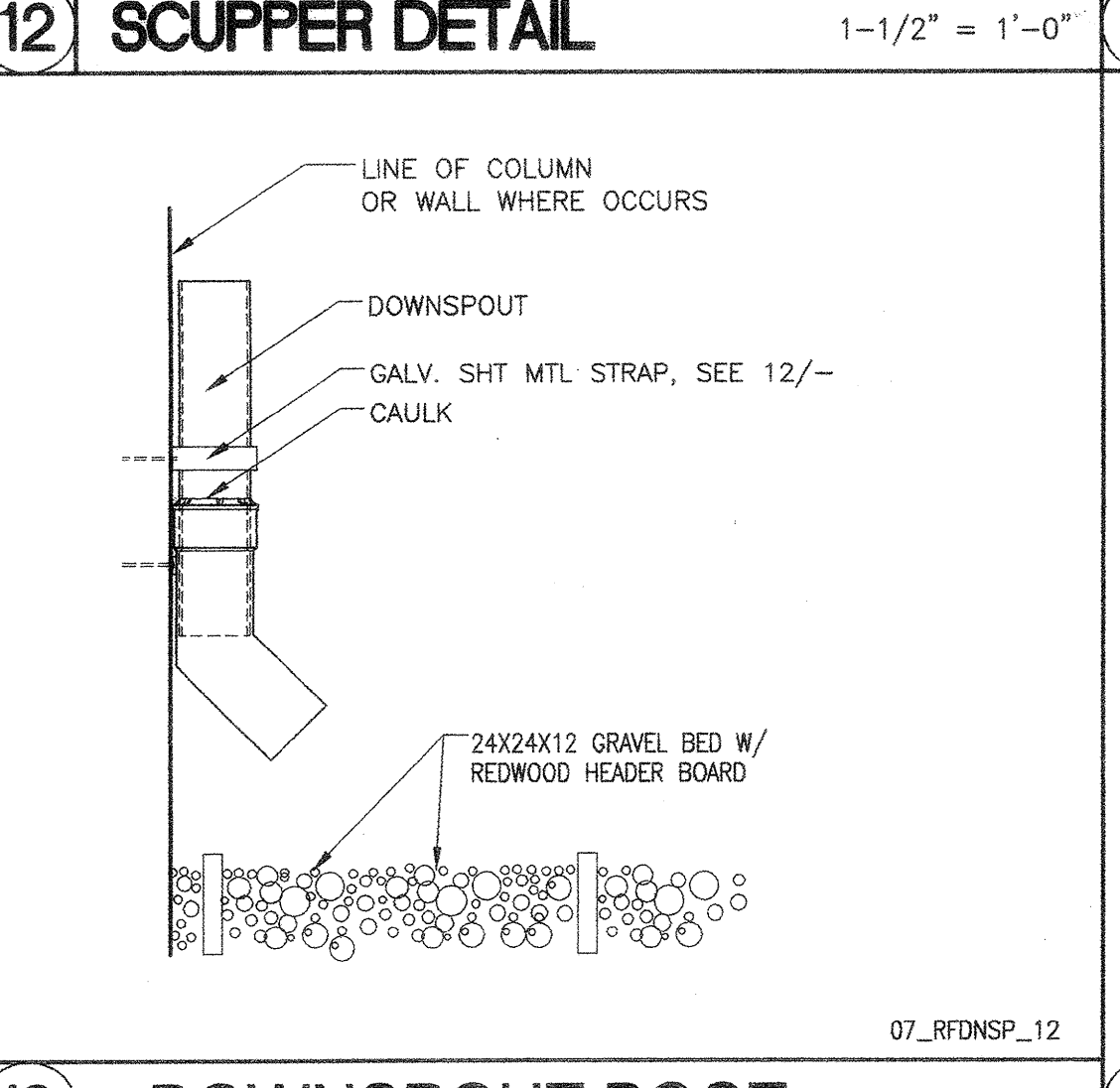
Bunton Clifford Associates, Inc.
 210 Hammond Ave.
 Fremont, California 94539
 [T] 510.445.1000
 [F] 510.445.1005
 www.BCAincOnline.com



WALLS AND INTERIOR PARTITIONS, NONCOMBUSTIBLE

GA FILE NO. WP 1522	GENERIC	2 HOUR FIRE	55 to 59 STC SOUND
GYPSUM WALLBOARD, STEEL STUDS Base layer 5/8" type X gypsum wallboard or gypsum veneer base applied parallel or at right angles to each side of 3/8" steel studs 24" o.c. with 1" Type S drywall screws 24" o.c. Face layer 5/8" type X gypsum wallboard or gypsum veneer base applied parallel or at right angles to each side with 1 1/2" Type S drywall screws 12" o.c. Joints staggered 24" each layer and side. Sound tested with 3 1/2" glass fiber friction fit in stud space. (NLB)			
Thickness: 6 1/8" Limiting Height: Refer to Section IV Approx. Weight: 12 psf Fire Test: See WP 1548 (WHI-495-0236, 1-30-80) Sound Test: NRCC 818-NV, 2-3-81			

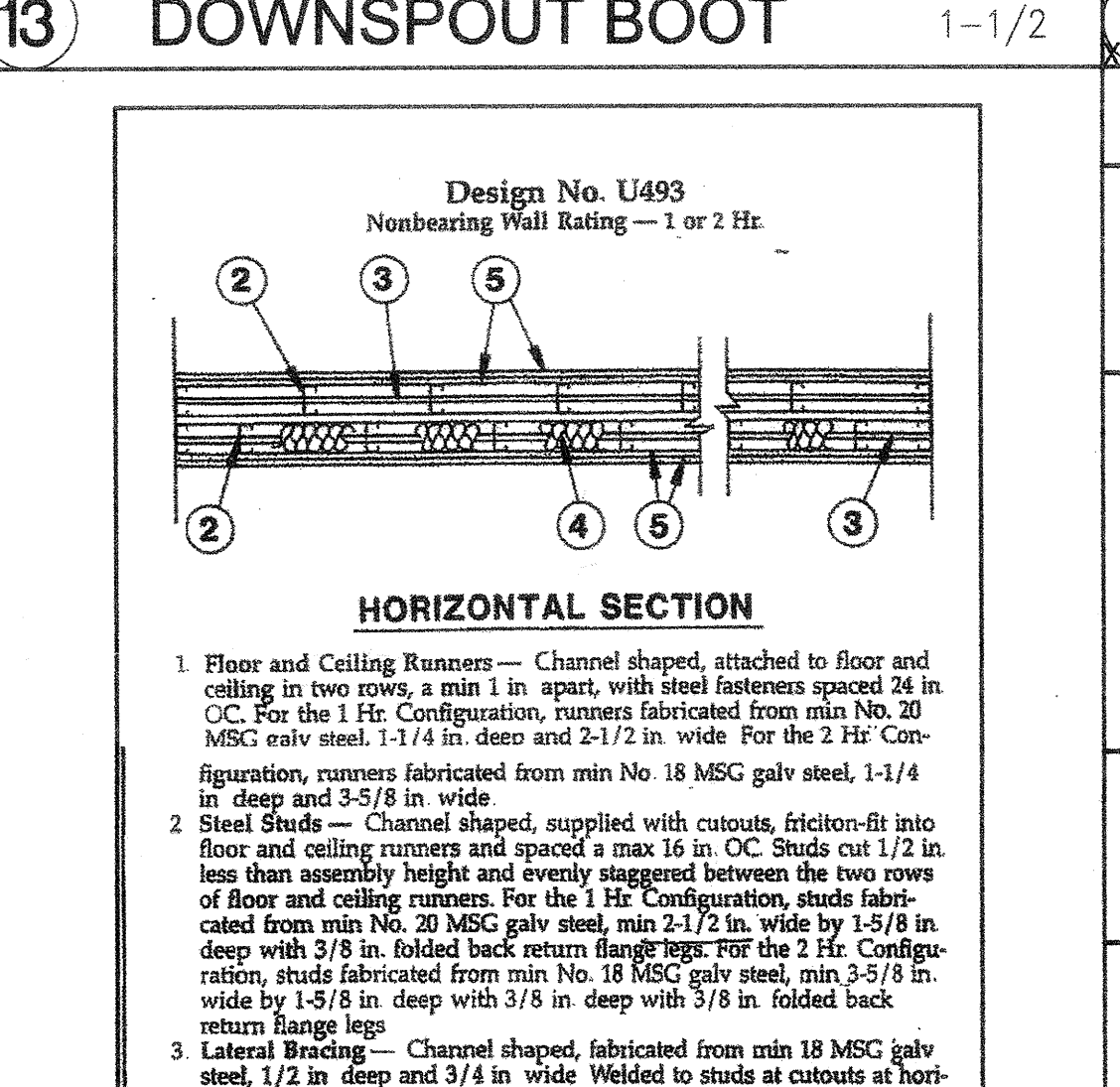
INT_WALLS_WP-1522



SHAFT WALLS

GA FILE NO. WP 6800	PROPRIETARY	1 HOUR FIRE	45 to 49 STC SOUND
GYPSUM WALLBOARD, STEEL C-T STUDS One layer 1" x 24" proprietary type X gypsum panels inserted between 2 1/2" floor and ceiling runners with 1" section of 2 1/2" steel C-T studs between panels OPPOSITE SIDE: One layer 5/8" proprietary type X gypsum wallboard applied parallel to studs with 1" Type S drywall screws 12" o.c. Sound tested with horizontal resilient channels 24" o.c and 2 1/2" glass fiber friction fit in stud space. (NLB)			
Thickness: 3 1/4" Limiting Height: Refer to manufacturer Approx. Weight: 7 psf Fire Test: WHI-495-1303, 7-19-95 Sound Test: RAL TL96-28, 2-13-96			

INT_WALLS_WP-6800



02/2007 pro07013 SMCCD Building 5 & Ridgeway DSA backcheck (CURRENT) DETAIL S4.17.1 (ROOFING, METAL TRIM, CEILING)

Penetration Item	Concrete	Gypsum	Wood Floor/Ceiling		
Plastic Pipe	CA2001 FS195/RC-1 CA2002 FS195/RC-1 CA2003 PPD CA2009 PPD	CA2005 FS195/RC-1 CA2006 FS195/RC-1, CS195 CA2007 FS195/CP 25WB CA2008 FS195/Platy	CA5022- FS195/RC-1 PP Insulated CA2040 CS195/CP 25WB CA2044 FS195/CP 25WB CA2011 CP 25WB	WL2002 FS195/RC-1 WL2005 PPD WL2031 CS 195/FS195 WL2032 CP 25WB	WL2003 FS195/CP 25WB WL2004 FS195/CP 25WB WL2006 FS195/RC-1, PPD WL2007 FC2007 WL2008 FC2008 WL2009 FC2009
Metal Pipe	CA1001- CP 25W/S, S/L CA1006- CS195/FS195, CP 25 CA1007- FS195 CA1008- CP 25W/S, S/L CA1010 2000/2003 CA1013 2000/2003 CA1014 CA1015 CA1017- FS150 CA1021- FS150	CA1027- Platy 2000/2003 CA1044- CP 25WB CA1052- CP 25W/S, S/L CA1058 2000/2003 CA1063 2000/2003 CA1066- CP 25 CA1091- CP 25 Coaks CA1092- CP 25WB	CA1112- CP 25/FS195 CA1020- 2000/2003 CA1044- CS195/FS195 CA1021- CP 25W/S, S/L CA1031 CA1032 2001 Foam CA1033 2001 Foam CA1034 2001 Foam CA1035 2001 Foam CA1036 2001 Foam CA1037 2001 Foam	WL1001 CP 25 WL1002 CP 25 WL1010 2000 WL1016 CP 25WB WL1017- CP 25W/S, S/L WL1020- CP 25 Coaks WL1028- FS150 WL1037- CS195/FS195, CP 25WB	FC1002- CP 25W/S, S/L FC1003- 2000 FC1006- CP 25WB
Insulated Metal Pipe	CA5001- CP 25 Coaks CA5002- FS195/CP 25 Coaks CA5003- FS195/RC-1 CA5005- Platy	CA5009- 2000/2003 CA5010- FS195/CP 25 CA5022- FS195 (Plastic Pipe) CA5024- FS195/CP 25 Coaks CA5025- CS195/FS195 CA5026- FS195/RC-1 CA5027- FS195/RC-1 CA5028- FS195/Platy	CA5041- 2000/2003 CA5042- CP 25 Coaks CA5043- FS195 CA5044- FS195/FS195 CA5045- FS195/CP 25 CA5046- FS195/CP 25WB CA5047- CP 25W/S, S/L CA5048- FS195/RC-1 CA5049- CS195/FS195 CP 25 CA5050- CP 25W/S, S/L CA5051- CP 25W/S, S/L CA5052- CP 25W/S, S/L CA5053- CP 25W/S, S/L CA5054- CP 25W/S, S/L CA5055- CP 25W/S, S/L CA5056- CP 25W/S, S/L CA5057- CP 25W/S, S/L CA5058- CP 25W/S, S/L CA5059- CP 25W/S, S/L CA5060- CP 25W/S, S/L CA5061- CP 25W/S, S/L CA5062- CP 25W/S, S/L CA5063- CP 25W/S, S/L CA5064- CP 25W/S, S/L CA5065- CP 25W/S, S/L CA5066- CP 25W/S, S/L CA5067- CP 25W/S, S/L CA5068- CP 25W/S, S/L CA5069- CP 25W/S, S/L CA5070- CP 25W/S, S/L CA5071- CP 25W/S, S/L CA5072- CP 25W/S, S/L CA5073- CP 25W/S, S/L CA5074- CP 25W/S, S/L CA5075- CP 25W/S, S/L CA5076- CP 25W/S, S/L CA5077- CP 25W/S, S/L CA5078- CP 25W/S, S/L CA5079- CP 25W/S, S/L CA5080- CP 25W/S, S/L CA5081- CP 25W/S, S/L CA5082- CP 25W/S, S/L CA5083- CP 25W/S, S/L CA5084- CP 25W/S, S/L CA5085- CP 25W/S, S/L CA5086- CP 25W/S, S/L CA5087- CP 25W/S, S/L CA5088- CP 25W/S, S/L CA5089- CP 25W/S, S/L CA5090- CP 25W/S, S/L CA5091- CP 25W/S, S/L CA5092- CP 25W/S, S/L CA5093- CP 25W/S, S/L CA5094- CP 25W/S, S/L CA5095- CP 25W/S, S/L CA5096- CP 25W/S, S/L CA5097- CP 25W/S, S/L CA5098- CP 25W/S, S/L CA5099- CP 25W/S, S/L CA5100- CP 25W/S, S/L CA5101- CP 25W/S, S/L CA5102- CP 25W/S, S/L CA5103- CP 25W/S, S/L CA5104- CP 25W/S, S/L CA5105- CP 25W/S, S/L CA5106- CP 25W/S, S/L CA5107- CP 25W/S, S/L CA5108- CP 25W/S, S/L CA5109- CP 25W/S, S/L CA5110- CP 25W/S, S/L CA5111- CP 25W/S, S/L CA5112- CP 25W/S, S/L CA5113- CP 25W/S, S/L CA5114- CP 25W/S, S/L CA5115- CP 25W/S, S/L CA5116- CP 25W/S, S/L CA5117- CP 25W/S, S/L CA5118- CP 25W/S, S/L CA5119- CP 25W/S, S/L CA5120- CP 25W/S, S/L CA5121- CP 25W/S, S/L CA5122- CP 25W/S, S/L CA5123- CP 25W/S, S/L CA5124- CP 25W/S, S/L CA5125- CP 25W/S, S/L CA5126- CP 25W/S, S/L CA5127- CP 25W/S, S/L CA5128- CP 25W/S, S/L CA5129- CP 25W/S, S/L CA5130- CP 25W/S, S/L CA5131- CP 25W/S, S/L CA5132- CP 25W/S, S/L CA5133- CP 25W/S, S/L CA5134- CP 25W/S, S/L CA5135- CP 25W/S, S/L CA5136- CP 25W/S, S/L CA5137- CP 25W/S, S/L CA5138- CP 25W/S, S/L CA5139- CP 25W/S, S/L CA5140- CP 25W/S, S/L CA5141- CP 25W/S, S/L CA5142- CP 25W/S, S/L CA5143- CP 25W/S, S/L CA5144- CP 25W/S, S/L CA5145- CP 25W/S, S/L CA5146- CP 25W/S, S/L CA5147- CP 25W/S, S/L CA5148- CP 25W/S, S/L CA5149- CP 25W/S, S/L CA5150- CP 25W/S, S/L CA5151- CP 25W/S, S/L CA5152- CP 25W/S, S/L CA5153- CP 25W/S, S/L CA5154- CP 25W/S, S/L CA5155- CP 25W/S, S/L CA5156- CP 25W/S, S/L CA5157- CP 25W/S, S/L CA5158- CP 25W/S, S/L CA5159- CP 25W/S, S/L CA5160- CP 25W/S, S/L CA5161- CP 25W/S, S/L CA5162- CP 25W/S, S/L CA5163- CP 25W/S, S/L CA5164- CP 25W/S, S/L CA5165- CP 25W/S, S/L CA5166- CP 25W/S, S/L CA5167- CP 25W/S, S/L CA5168- CP 25W/S, S/L CA5169- CP 25W/S, S/L CA5170- CP 25W/S, S/L CA5171- CP 25W/S, S/L CA5172- CP 25W/S, S/L CA5173- CP 25W/S, S/L CA5174- CP 25W/S, S/L CA5175- CP 25W/S, S/L CA5176- CP 25W/S, S/L CA5177- CP 25W/S, S/L CA5178- CP 25W/S, S/L CA5179- CP 25W/S, S/L CA5180- CP 25W/S, S/L CA5181- CP 25W/S, S/L CA5182- CP 25W/S, S/L CA5183- CP 25W/S, S/L CA5184- CP 25W/S, S/L CA5185- CP 25W/S, S/L CA5186- CP 25W/S, S/L CA5187- CP 25W/S, S/L CA5188- CP 25W/S, S/L CA5189- CP 25W/S, S/L CA5190- CP 25W/S, S/L CA5191- CP 25W/S, S/L CA5192- CP 25W/S, S/L CA5193- CP 25W/S, S/L CA5194- CP 25W/S, S/L CA5195- CP 25W/S, S/L CA5196- CP 25W/S, S/L CA5197- CP 25W/S, S/L CA5198- CP 25W/S, S/L CA5199- CP 25W/S, S/L CA5200- CP 25W/S, S/L CA5201- CP 25W/S, S/L CA5202- CP 25W/S, S/L CA5203- CP 25W/S, S/L CA5204- CP 25W/S, S/L CA5205- CP 25W/S, S/L CA5206- CP 25W/S, S/L CA5207- CP 25W/S, S/L CA5208- CP 25W/S, S/L CA5209- CP 25W/S, S/L CA5210- CP 25W/S, S/L CA5211- CP 25W/S, S/L CA5212- CP 25W/S, S/L CA5213- CP 25W/S, S/L CA5214- CP 25W/S, S/L CA5215- CP 25W/S, S/L CA5216- CP 25W/S, S/L CA5217- CP 25W/S, S/L CA5218- CP 25W/S, S/L CA5219- CP 25W/S, S/L CA5220- CP 25W/S, S/L CA5221- CP 25W/S, S/L CA5222- CP 25W/S, S/L CA5223- CP 25W/S, S/L CA5224- CP 25W/S, S/L CA5225- CP 25W/S, S/L CA5226- CP 25W/S, S/L CA5227- CP 25W/S, S/L CA5228- CP 25W/S, S/L CA5229- CP 25W/S, S/L CA5230- CP 25W/S, S/L CA5231- CP 25W/S, S/L CA5232- CP 25W/S, S/L CA5233- CP 25W/S, S/L CA5234- CP 25W/S, S/L CA5235- CP 25W/S, S/L CA5236- CP 25W/S, S/L CA5237- CP 25W/S, S/L CA5238- CP 25W/S, S/L CA5239- CP 25W/S, S/L CA5240- CP 25W/S, S/L CA5241- CP 25W/S, S/L CA5242- CP 25W/S, S/L CA5243- CP 25W/S, S/L CA5244- CP 25W/S, S/L CA5245- CP 25W/S, S/L CA5246- CP 25W/S, S/L CA5247- CP 25W/S, S/L CA5248- CP 25W/S, S/L CA5249- CP 25W/S, S/L CA5250- CP 25W/S, S/L CA5251- CP 25W/S, S/L CA5252- CP 25W/S, S/L CA5253- CP 25W/S, S/L CA5254- CP 25W/S, S/L CA5255- CP 25W/S, S/L CA5256- CP 25W/S, S/L CA5257- CP 25W/S, S/L CA5258- CP 25W/S, S/L CA5259- CP 25W/S, S/L CA5260- CP 25W/S, S/L CA5261- CP 25W/S, S/L CA5262- CP 25W/S, S/L CA5263- CP 25W/S, S/L CA5264- CP 25W/S, S/L CA5265- CP 25W/S, S/L CA5266- CP 25W/S, S/L CA5267- CP 25W/S, S/L CA5268- CP 25W/S, S/L CA5269- CP 25W/S, S/L CA5270- CP 25W/S, S/L CA5271- CP 25W/S, S/L CA5272- CP 25W/S, S/L CA5273- CP 25W/S, S/L CA5274- CP 25W/S, S/L CA5275- CP 25W/S, S/L CA5276- CP 25W/S, S/L CA5277- CP 25W/S, S/L CA5278- CP 25W/S, S/L CA5279- CP 25W/S, S/L CA5280- CP 25W/S, S/L CA5281- CP 25W/S, S/L CA5282- CP 25W/S, S/L CA5283- CP 25W/S, S/L CA5284- CP 25W/S, S/L CA5285- CP 25W/S, S/L CA5286- CP 25W/S, S/L CA5287- CP 25W/S, S/L CA5288- CP 25W/S, S/L CA5289- CP 25W/S, S/L CA5290- CP 25W/S, S/L CA5291- CP 25W/S, S/L CA5292- CP 25W/S, S/L CA5293- CP 25W/S, S/L CA5294- CP 25W/S, S/L CA5295- CP 25W/S, S/L CA5296- CP 25W/S, S/L CA5297- CP 25W/S, S/L CA5298- CP 25W/S, S/L CA5299- CP 25W/S, S/L CA5300- CP 25W/S, S/L CA5301- CP 25W/S, S/L CA5302- CP 25W/S, S/L CA5303- CP 25W/S, S/L CA5304- CP 25W/S, S/L CA5305- CP 25W/S, S/L CA5306- CP 25W/S, S/L CA5307- CP 25W/S, S/L CA5308- CP 25W/S, S/L CA5309- CP 25W/S, S/L CA5310- CP 25W/S, S/L CA5311- CP 25W/S, S/L CA5312- CP 25W/S, S/L CA5313- CP 25W/S, S/L CA5314- CP 25W/S, S/L CA5315- CP 25W/S, S/L CA5316- CP 25W/S, S/L CA5317- CP 25W/S, S/L CA5318- CP 25W/S, S/L CA5319- CP 25W/S, S/L CA5320- CP 25W/S, S/L CA5321- CP 25W/S, S/L CA5322- CP 25W/S, S/L CA5323- CP 25W/S, S/L CA5324- CP 25W/S, S/L 		