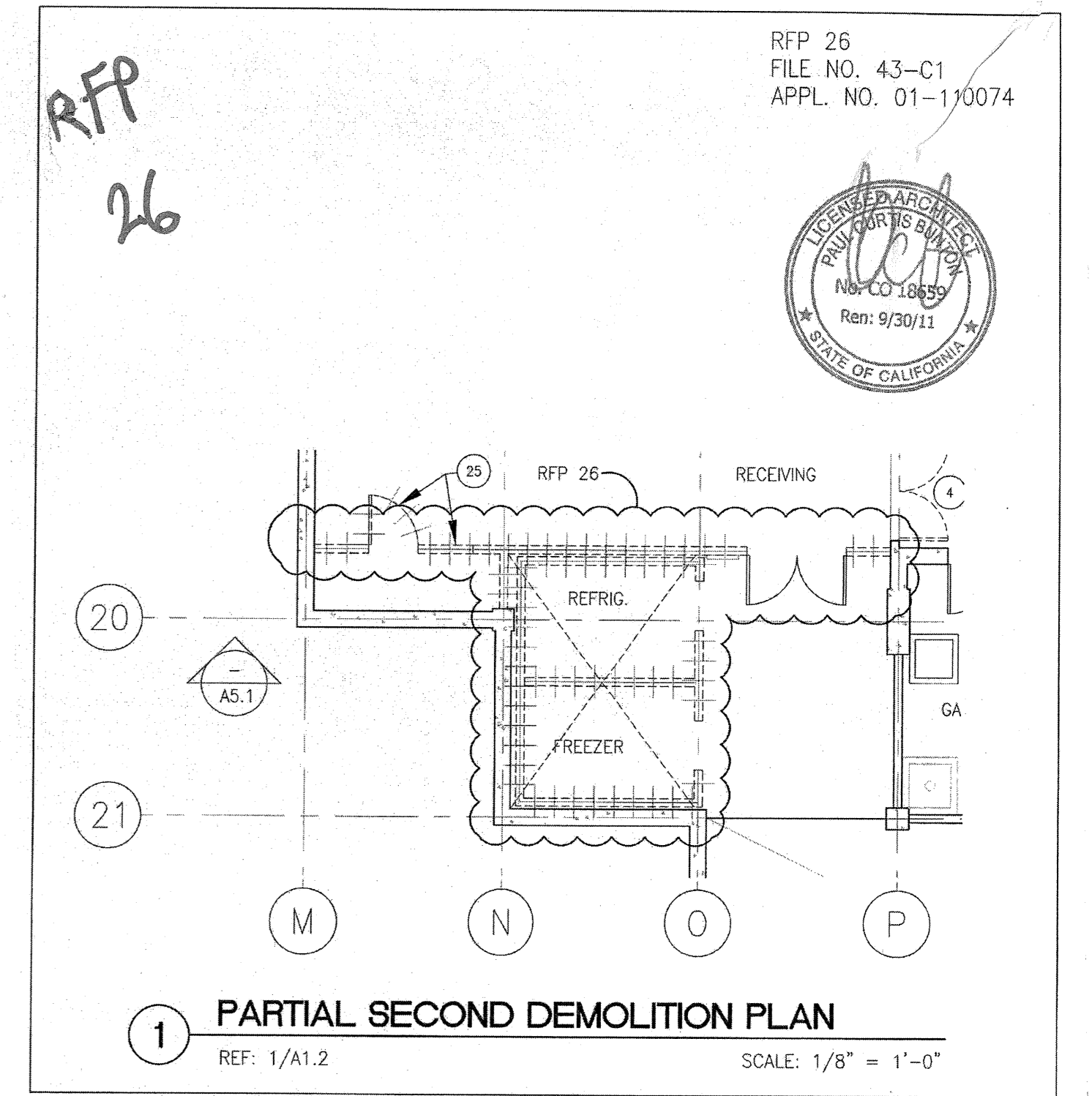


BCA architecture planning interiors
200 International Ave. Fremont, California 94555
(415) 874-4400 (415) 874-4405

Title: DOOR MODIFICATION
Project Name: CANADA COLLEGE - BUILDINGS 5 & 6 RENOVATIONS
SAN MATEO COUNTY COMMUNITY COLLEGE DISTRICT
4200 FARM HILL BOULEVARD
REDWOOD CITY, CA 94061
FILE NO. 43-C1 APPL. 01-110074

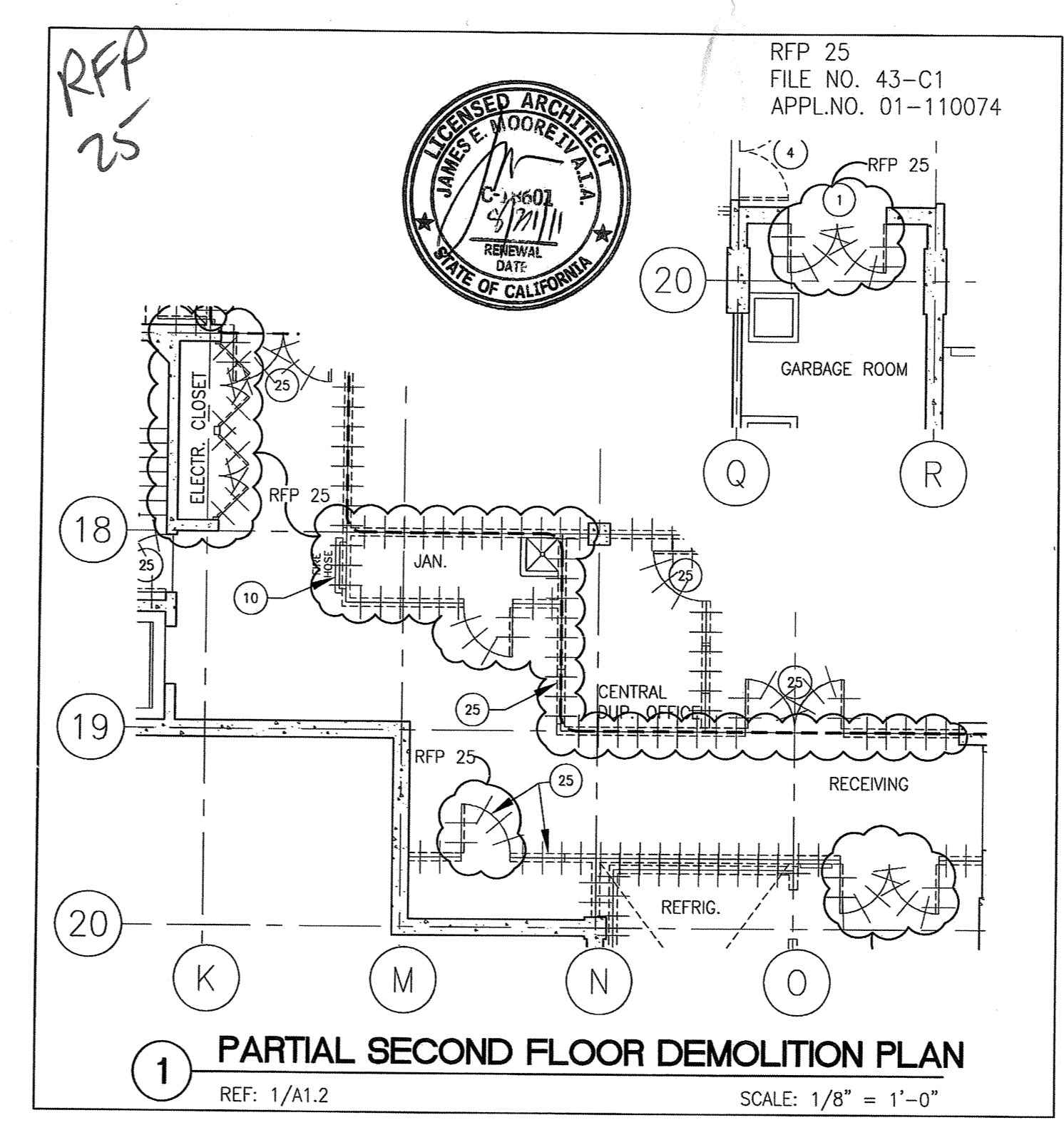
Revision: 57
Drawing Number: ASK-27B
Project Number: 07015



BCA architecture planning interiors
200 International Ave. Fremont, California 94555
(415) 874-4400 (415) 874-4405

Title: ELECTRICAL ROOM
Project Name: CANADA COLLEGE - BUILDINGS 5 & 6 RENOVATIONS
SAN MATEO COUNTY COMMUNITY COLLEGE DISTRICT
4200 FARM HILL BOULEVARD
REDWOOD CITY, CA 94061
FILE NO. 43-C1 APPL. 01-110074

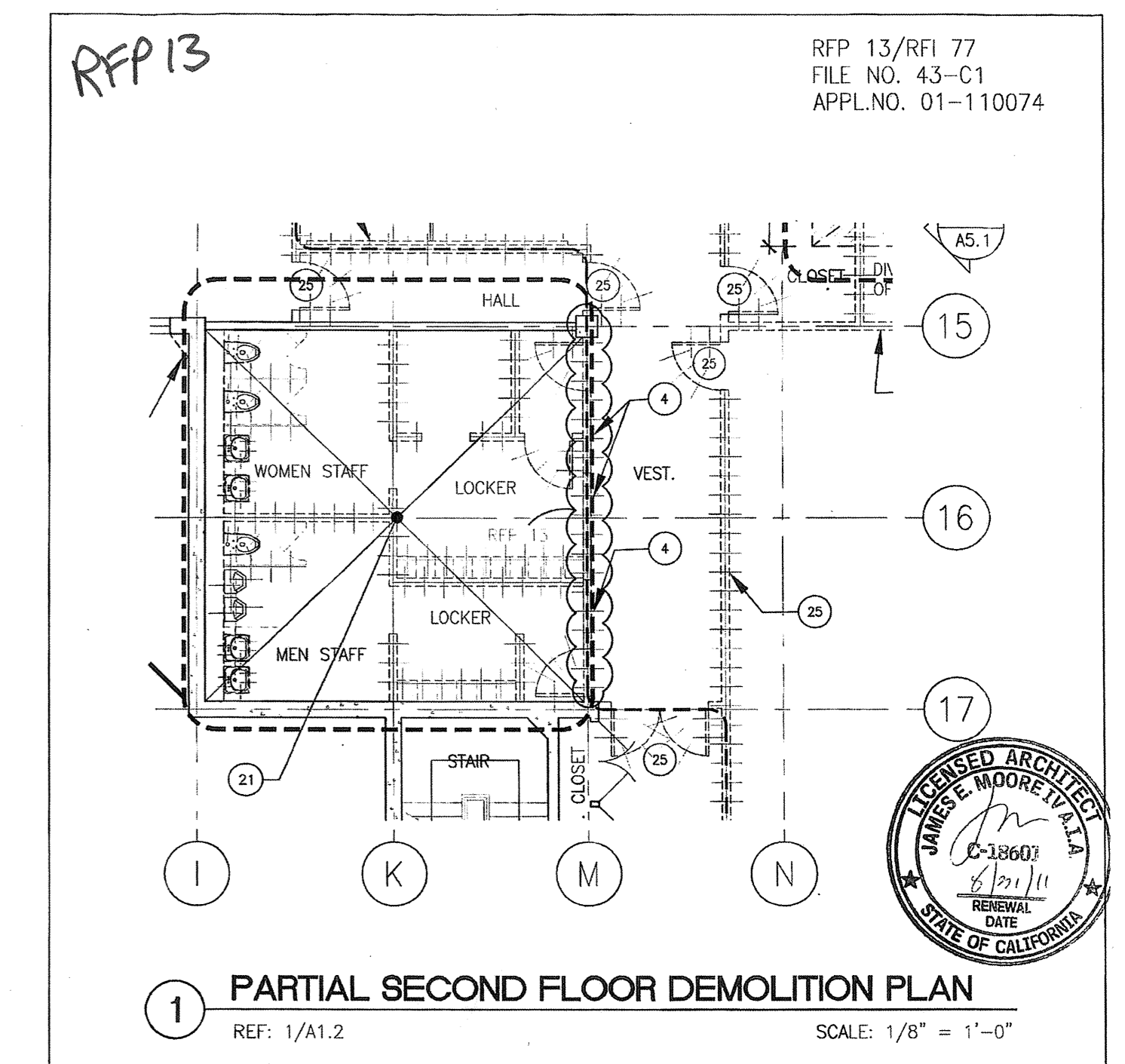
Revision: ASK-15A
Drawing Number: ASK-15A
Project Number: 07015



BCA architecture planning interiors
200 International Ave. Fremont, California 94555
(415) 874-4400 (415) 874-4405

Title: NEW DOORS
Project Name: CANADA COLLEGE - BUILDINGS 5 & 6 RENOVATIONS
SAN MATEO COUNTY COMMUNITY COLLEGE DISTRICT
4200 FARM HILL BOULEVARD
REDWOOD CITY, CA 94061
FILE NO. 43-C1 APPL. 01-110074

Revision: 25
Drawing Number: ASK-14B
Project Number: 07015



BCA architecture planning interiors
200 International Ave. Fremont, California 94555
(415) 874-4400 (415) 874-4405

Title: RESTROOMS WALL
Project Name: CANADA COLLEGE - BUILDINGS 5 & 6 RENOVATIONS
SAN MATEO COUNTY COMMUNITY COLLEGE DISTRICT
4200 FARM HILL BOULEVARD
REDWOOD CITY, CA 94061
FILE NO. 43-C1 APPL. 01-110074

Revision: ASK-5A
Drawing Number: ASK-5A
Project Number: 07015