

20 19 18 17 16 15 14 13 12 11 10 9 8 7 6 5 4 3 2 1

U
T
S
R
Q
N
M
L
K
J
H
G
F
E
D
C
B
A

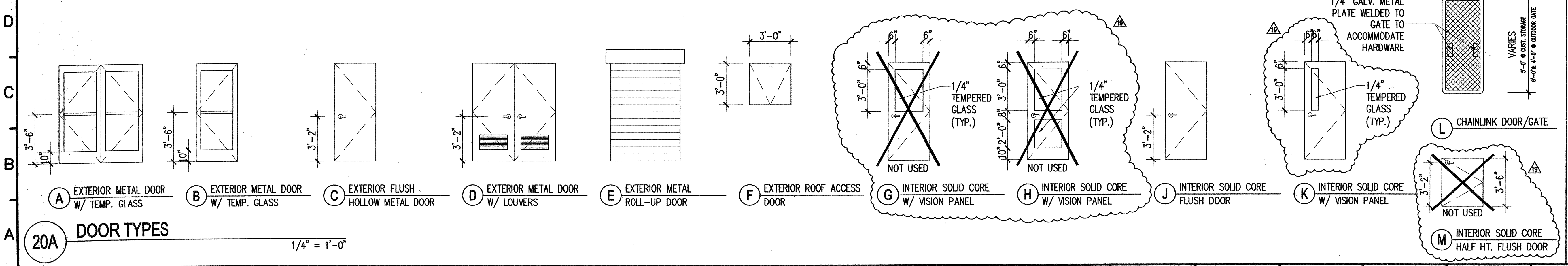
MARK	TYPE	ROOM NO.	OPENING SIZE		HARDWARE GROUP	SIGNS	FRAME		HEAD DTL'S	SILL DTL'S	JAMB DTL'S	REMARKS
			WIDTH	HEIGHT			MATL	FINISH				
1	A	01	2X 3'-0"	7'-0"	1	2K/A4.2	STEEL PAINT	8K/A3.5	16Q/A6.2	4E/A3.5	W/PANIC HARDWARE & CLOSER	
2	K	01	3'-0"	7'-0"	2	20Q/A4.2	STEEL PAINT	16A/A6.1	18E/A6.2	12A,16A/A6.1		
3	K	01	3'-0"	7'-0"	2	20Q/A4.2	STEEL PAINT	16A/A6.1	18E/A6.2	12A,16A/A6.1		
4	K	01	3'-0"	7'-0"	2	20Q/A4.2	STEEL PAINT	16A/A6.1	18E/A6.2	12A,16A/A6.1		
5	J	06	3'-0"	7'-0"	16	8K/A4.2	STEEL PAINT	16A/A6.1	16K/A6.2	16A/A6.1	W/CLOSER	
6	J	07	3'-0"	7'-0"	16	8K/A4.2	STEEL PAINT	16A/A6.1	16K/A6.2	16A/A6.1	W/CLOSER	
7	B	08	3'-0"	7'-0"	1	2K/A4.2	STEEL PAINT	8Q/A3.5	16Q/A6.2	4Q,4K/A3.5	W/PANIC HARDWARE & CLOSER	
8	K	09	3'-0"	7'-0"	3	20Q/A4.2	STEEL PAINT	16A/A6.1	18E/A6.2	16A/A6.1		
9	K	10	3'-0"	7'-0"	3	20Q/A4.2	STEEL PAINT	16A/A6.1	18E/A6.2	12A,16A/A6.1		
10											NOT USED	
11											NOT USED	
12	K	15	3'-0"	7'-0"	3	20Q/A4.2	STEEL PAINT	16A/A6.1	18E/A6.2	12A,16A/A6.1		
13	K	16	3'-0"	7'-0"	3	20Q/A4.2	STEEL PAINT	16A/A6.1	18E/A6.2	12A,16A/A6.1		
14	J	13	3'-0"	7'-0"	3	20Q/A4.2	STEEL PAINT	16A/A6.1	18E/A6.2	16A/A6.1		
15	L	14	3'-0"	7'-0"	1						CHAIN-LINK ENCLOSURE GATE	
16											NOT USED	
17											NOT USED	
18	E	20	5'-0"	7'-0"	1				16Q/A3.5	20Q/A3.5	METAL ROLL-UP DOOR	
19	C	19	2X 3'-0"	7'-0"	4	2K/A4.2	STEEL PAINT	8Q/A3.5	16Q/A6.2	4E/A3.5	W/PANIC HARDWARE & CLOSER	
20	J	21	3'-0"	7'-0"	3	20Q/A4.2	STEEL PAINT	16A/A6.1	12K/A6.2	16A/A6.1		
21	E	21	5'-0"	7'-0"	1				16Q/A3.5	20Q/A3.5	METAL ROLL-UP DOOR	
22	A	22	2X 3'-0"	7'-0"	4	2K/A4.2	STEEL PAINT	8K/A3.5	16Q/A6.2	4E/A3.5	W/PANIC HARDWARE & CLOSER	
23	J	24	3'-0"	7'-0"	3	20Q/A4.2	STEEL PAINT	16A/A6.1	20E/A6.2	16A/A6.1		
24	E	24	5'-0"	7'-0"	1				16Q/A3.5	20Q/A3.5	METAL ROLL-UP DOOR	
25	A	25	2X 3'-0"	7'-0"	4	2K/A4.2	STEEL PAINT	8K/A3.5	16Q/A6.2	4E/A3.5	W/PANIC HARDWARE & CLOSER	
26	C	26	3'-0"	7'-0"	5	8K/A4.2	STEEL PAINT	8Q/A3.5	12Q/A6.2	4Q/A3.5	W/CLOSER	
27	A	28	2X 3'-0"	7'-0"	15	2K/A4.2	STEEL PAINT	8K/A3.5	16Q/A6.2	4E/A3.5	W/PANIC HARDWARE & CLOSER	
28	E	29	8'-0"	7'-0"	1				16Q/A3.5	20Q/A3.5	METAL ROLL-UP DOOR	
29	C	30	3'-0"	7'-0"	5	8K/A4.2	STEEL PAINT	8Q/A3.5	12Q/A6.2	4Q/A3.5	W/CLOSER	
30	J	31	3'-0"	7'-0"	8	20Q/A4.2	STEEL PAINT	16A/A6.1	18E/A6.2	16A/A6.1		
31	D	33	2X 3'-0"	7'-0"	9	20Q/A4.2	STEEL PAINT	8Q/A3.5	20K/A6.2	4Q/A3.5		
32	B	12A	3'-0"	7'-0"	1	2K/A4.2	STEEL PAINT	8Q/A3.5	16Q/A6.2	4Q,4K/A3.5	W/PANIC HARDWARE & CLOSER	
33	J	34	3'-0"	7'-0"	8	20Q/A4.2	STEEL PAINT	16A/A6.1	12K/A6.2	16A/A6.1		
34	J	38	3'-0"	7'-0"	8	20Q/A4.2	STEEL PAINT	16A/A6.1	12K/A6.2	16A/A6.1		
35	J	38	3'-0"	7'-0"	8	20Q/A4.2	STEEL PAINT	16A/A6.1	12K/A6.2	16A/A6.1		
36	J	39	3'-0"	7'-0"	3	20Q/A4.2	STEEL PAINT	16A/A6.1	12K/A6.2	16A/A6.1		
37	J	28	3'-0"	7'-0"	15	20Q/A4.2	STEEL PAINT	16A/A6.1	12K/A6.2	16A/A6.1		
38	J	27	3'-0"	7'-0"	3	20Q/A4.2	STEEL PAINT	16A/A6.1	12K/A6.2	16A/A6.1		
39	K	25	3'-0"	7'-0"	15	20Q/A4.2	STEEL PAINT	16A/A6.1	12K/A6.2	16A/A6.1		
40											NOT USED	
41	K	22	3'-0"	7'-0"	3	20Q/A4.2	STEEL PAINT	16A/A6.1	12K/A6.2	16A/A6.1		
42	K	41	3'-0"	7'-0"	3	20Q/A4.2	STEEL PAINT	16A/A6.1	12K/A6.2	16A/A6.1		
43											NOT USED	
44	K	39	3'-0"	7'-0"	3	20Q/A4.2	STEEL PAINT	16A/A6.1	12K/A6.2	16A/A6.1	INT. DOOR W/PANIC HARDWARE & CLOSER	
45	(SM)	40	2X 3'-0"	7'-0"	1				18E/A6.2, 5F/A3.2, 4E/A3.5			
46	J	37	3'-0"	7'-0"	6	8K/A4.2	STEEL PAINT	16A/A6.1	16K/A6.2	16A/A6.1	W/CLOSER	
47	J	35	3'-0"	7'-0"	6	8K/A4.2	STEEL PAINT	16A/A6.1	16K/A6.2	16A/A6.1	W/CLOSER	
48	A	36	2X 3'-0"	7'-0"	1	2K/A4.2	STEEL PAINT	8Q/A3.5	16Q/A6.2	4E,4Q/A3.5	W/PANIC HARDWARE & CLOSER	
49	C	29A	3'-0"	7'-0"	7	20Q/A4.2	STEEL PAINT	8Q/A3.5	20K/A6.2	4Q/A3.5		
50	F	34	3'-0"	3'-0"	1				6A/A3.4	6A/A3.4	ROOF ACCESS DOOR	
51											NOT USED	
52											NOT USED	
53	WOOD GATE		3'-6"	6'-0"	11		WOOD STAIN		18E/SW2.1		GATE @ MECH. ENCLOSURE	
54	WOOD GATE		2X 3'-0"	6'-0"	12		WOOD STAIN		18E/SW2.1		GATE @ MECH. ENCLOSURE	
55	WOOD GATE		2X 3'-0"	6'-0"	12		WOOD STAIN		18E/SW2.1		GATE @ MECH. ENCLOSURE	
56	WOOD GATE		2X 3'-0"	6'-0"	12		WOOD STAIN		18E/SW2.1		GATE @ MECH. ENCLOSURE	
57											NOT USED	
58											NOT USED	
59											NOT USED	
60											NOT USED	
61	C	29A	3'-0"	7'-0"	7	20Q/A4.2	STEEL PAINT	8Q/A3.5	20K/A6.2	4Q/A3.5	SEE CHANGE REQUEST	
62	J	20	3'-0"	7'-0"	3	20Q/A4.2	STEEL PAINT	16A/A6.1	20E/A6.2	16A/A6.1		

NOTE: SEE SHEET A0.2 FOR HARDWARE GROUP INFORMATION * CHANGE 60PD TO D50PD

ROOM NO.	ROOM NAME	FINISH SCHEDULE										REMARKS
		FLOOR FINISH	BASE	WALL MATERIAL	WALL FINISH	CEILING MATERIAL	CEILING FINISH					
		VCT CARPET CERAMIC TILE SEALED CONCRETE SLAB	RUBBER BASE INTERIAL CORE CERAMIC TILE CORE NO BASE	GYP/SUM BOARD PLYWOOD MOISTURE RESISTANT GYP. BD. NO FINISH	PAINT VINYL WALL COVERING CERAMIC TILE	GYP/SUM BOARD T-BAR SUSP. CEILING SYSTEM GLUE-ON TILE	PAINT FACTORY APPLIED NO FINISH					
01	RECEPTION											
02	OFFICE											
03	OFFICE											
04	PERSONNEL											
05	COPY ROOM											
06	WOMEN'S RESTROOM											
07	MEN'S RESTROOM											
08	HALLWAY											
09	OFFICE											
10	OFFICE											
12/12A	HALLWAY											
14	WOMEN'S											
15	OFFICE											
16	HALLWAY											
17	NOT USED											
18/18A	NOT USED											
19	CLASSROOM											
20	OUTDOOR STORAGE											
21	OUTDOOR STORAGE											
22	CLASSROOM											
23	NOT USED											
24	OUTDOOR STORAGE											
25	CLASSROOM											
26	MEN'S											
27	STORAGE											
28	CLASSROOM											
29	OUTDOOR STORAGE											
29A	ELECTRICAL											
30	CHILDREN'S TOILET											
31	EQUIPMENT STORAGE											
32	NOT USED											
33	MECHANICAL											
34	CUSTODIAN											
35	MEN'S RESTROOM											
36	VESTIBULE											
37	WOMEN'S RESTROOM											
38	STORAGE											
39	KITCHEN											
40	CLASS/LAB											

NOTE:
① INSTALL UNICAN L1000 LOCKS ON DOORS.

APPROVED
DIV. OF THE STATE ARCHITECT
AC *AK* FLS. *ES* SS *PA*
APPL. NO. *103522* DATE *1/24/03*



NOTE: PANIC HARDWARE AND CLOSER AS NOTED ON ALL EXIT DOOR(S). THE G.C. SHALL VERIFY PUSH/PULL TENSION ON ALL DOORS W/CLOSERS TO MEET CURRENT CODE REQ'S FOR DISABLED ACCESSIBILITY. MAX. EFFORT TO OPERATE DOORS SHALL NOT EXCEED 8 POUNDS FOR EXT. DOORS AND 5 POUNDS FOR INT. DOORS, SUCH EFFORT BEING APPLIED AT RIGHT ANGLES TO HINGED DOORS AND AT THE CENTER PLANE OF SLIDING OR FOLDING DOORS. PANIC HARDWARE TO BE LOCATED AT 42" AFF.

REVISIONS: Δ (REVISED) \square (NOTED) \square (BY) \square (DATE) \square (REASON)

NO.	DATE	REASON	BY
1	10/15/01	ADDENDUM #1	
2	10/26/01	ADDENDUM #2	
3	3/17/03	CP #19	

ISSUE FOR PROGRESS REVIEW 01/15/01
ISSUE FOR PLAN CHECK 01/25/01
ISSUE FOR FINAL REVIEW 05/09/01
ISSUE FOR BID
ISSUE FOR CONSTRUCTION

SEAL:

CONSULTANT:
ARCHITECT:
C I A N F I C H I
ARCHITECTURE • PLANNING
30 ANNE COURT
WALNUT CREEK, CA 94598
TEL.: (925) 256-8638
FAX: (925) 256-8652

PROJECT:
CHILD DEVELOPMENT
CENTER
CANADA COLLEGE
4200 FARM HILL BLVD.
REDWOOD CITY, CA 94061

SAN MATEO COUNTY COMMUNITY
COLLEGE DISTRICT

STAMP:

APPL. NO. *103522*
KEY PLAN:

SHEET TITLE:
DOOR AND FINISH
SCHEDULE/TYPES

DRAWN BY: *CC* PROJECT NO.: *304-99*
CHECKED BY: *JC* DATE: *3-14-03*
APPL. NO.: *103522* SHEET: *A0.1r*
DATA NO.: NO. OF: