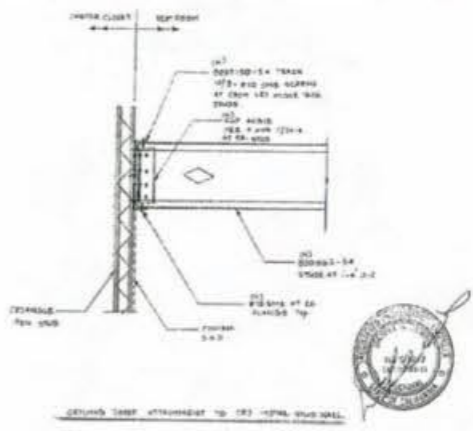


HOBACH-LEWIN, INC.
STRUCTURAL ENGINEERS

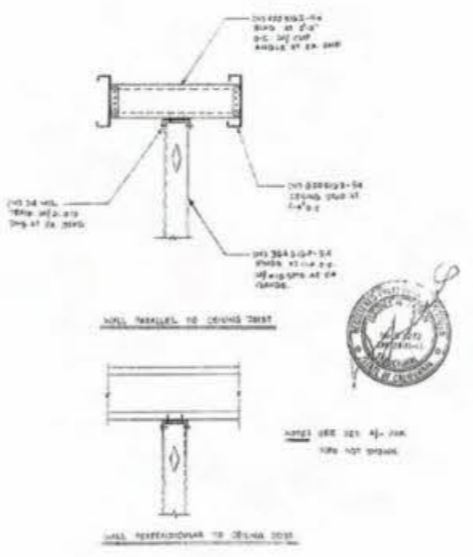
NO. 16-10
PROJECT 16-10
DATE 12-22-2009
BY JLD



SK-10

HOBACH-LEWIN, INC.
STRUCTURAL ENGINEERS

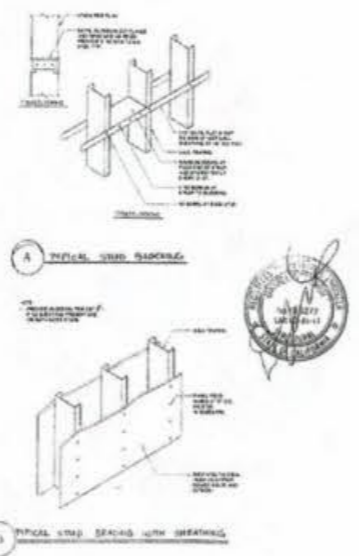
NO. 16-10
PROJECT 16-10
DATE 12-22-2009
BY JLD



SK-12

HOBACH-LEWIN, INC.
STRUCTURAL ENGINEERS

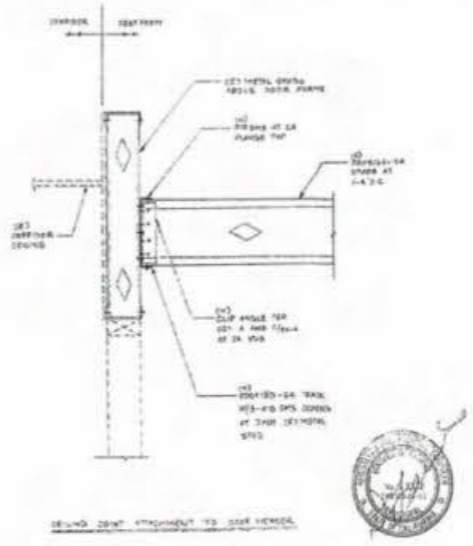
NO. 16-10
PROJECT 16-10
DATE 12-22-2009
BY JLD



SK-14

HOBACH-LEWIN, INC.
STRUCTURAL ENGINEERS

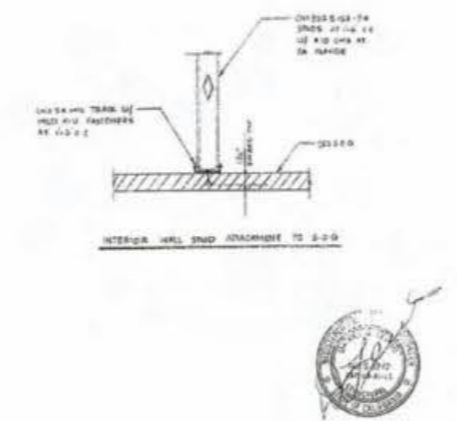
NO. 16-10
PROJECT 16-10
DATE 12-22-2009
BY JLD



SK-11

HOBACH-LEWIN, INC.
STRUCTURAL ENGINEERS

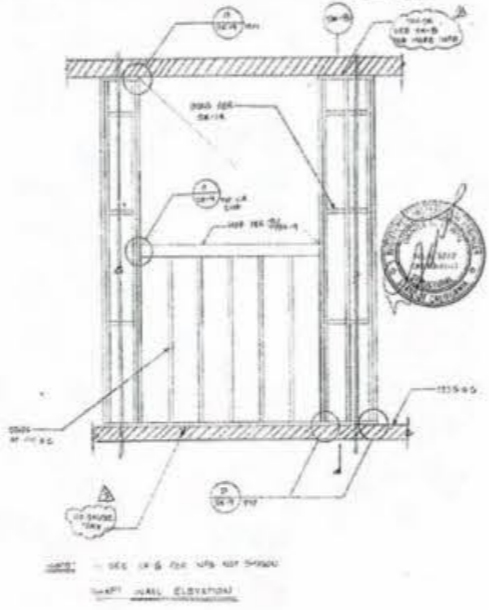
NO. 16-10
PROJECT 16-10
DATE 12-22-2009
BY JLD



SK-13

HOBACH-LEWIN, INC.
STRUCTURAL ENGINEERS

NO. 16-10
PROJECT 16-10
DATE 12-22-2009
BY JLD



SK-15