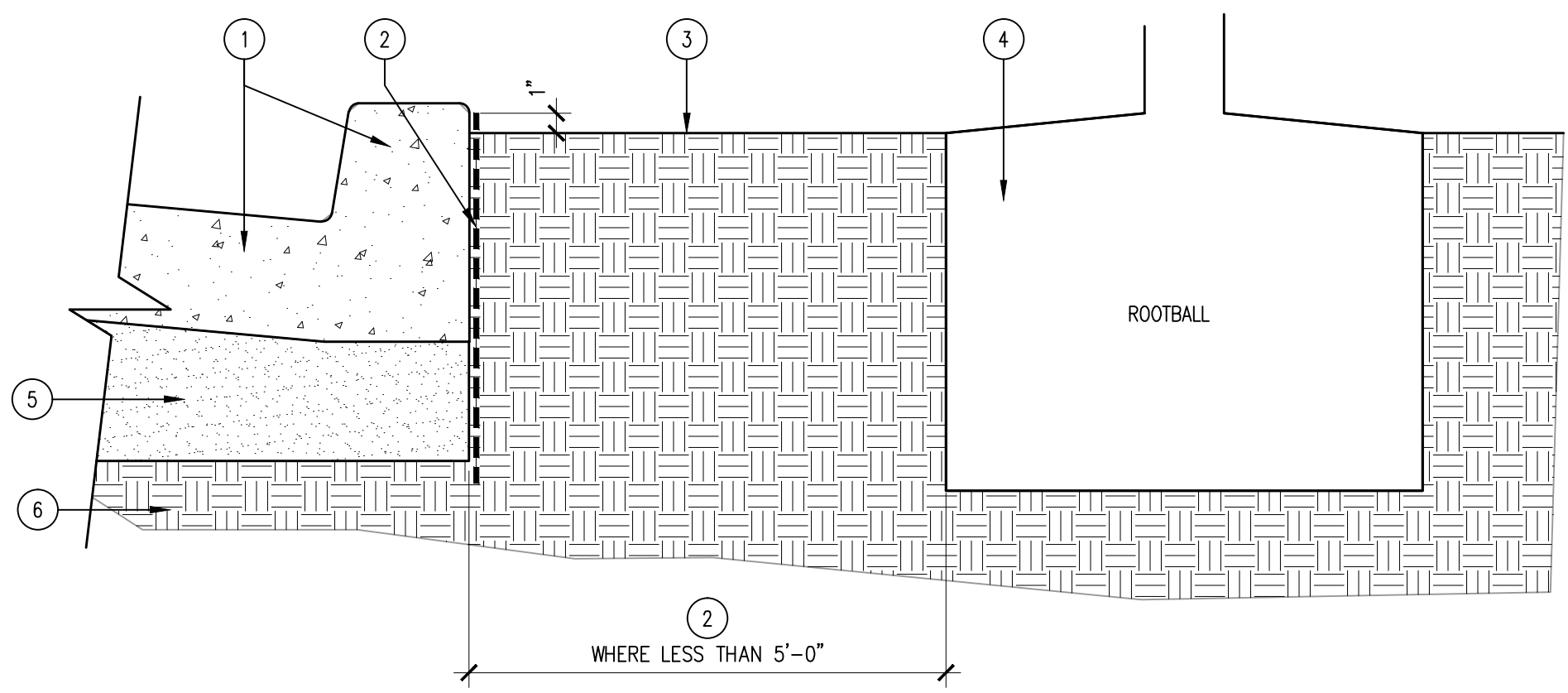


LEGEND:

- 1 LOCATE PLANTS WITH EQUAL SPACING AS INDICATED ON PLAN (TRIANGULAR SPACING).
- 2 1/2 ON CENTER SPACING.
- 3 PAVING, BUILDING, OR HEADER SHOWING PLANTING AREA LIMIT.

TRIANGULAR SPACING 1/4" = 1'-0" DT02LP17 09

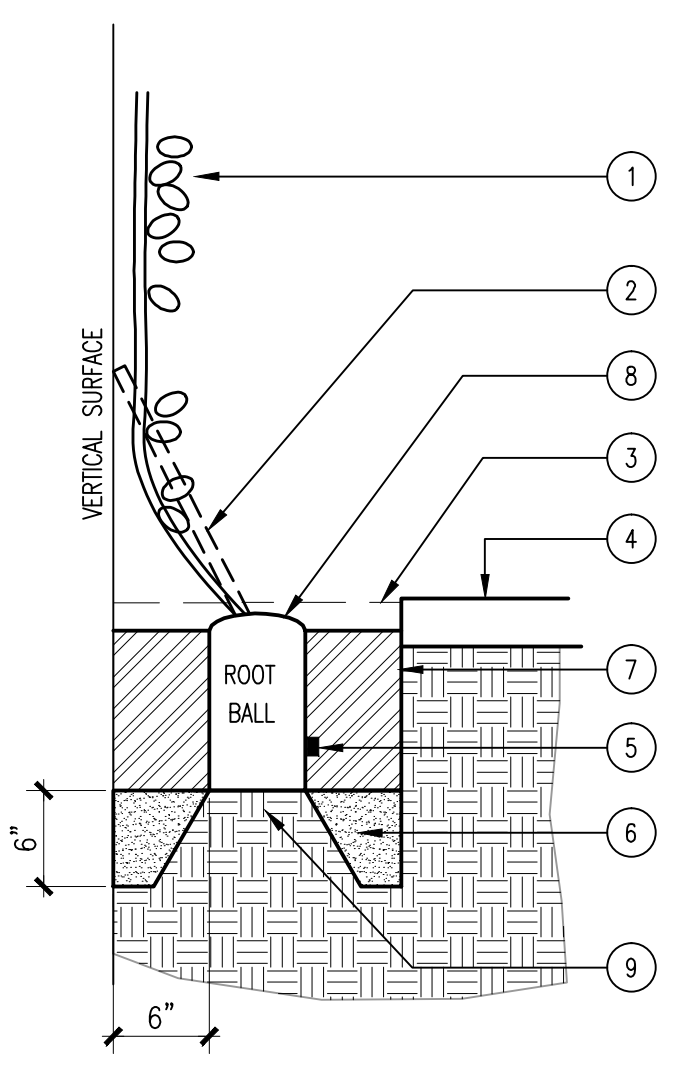


LEGEND:

- 1 CONCRETE CURB, CUTTER, OR SIDEWALK.
- 2 LINEAR ROOT BARRIER BY "DEEP ROOT". SEE PLANTING PLAN, MODEL # UB18-2
- 3 FINISH GRADE.
- 4 ADJACENT ROOTBALL. VERIFY THE EXACT LOCATION AND PROTECT AT ALL TIMES.
- 5 BASE MATERIAL FROM ADJACENT HARDSCAPE.
- 6 COMPACTED SUBGRADE FROM ADJACENT HARDSCAPE.

WHERE LESS THAN 5'-0"

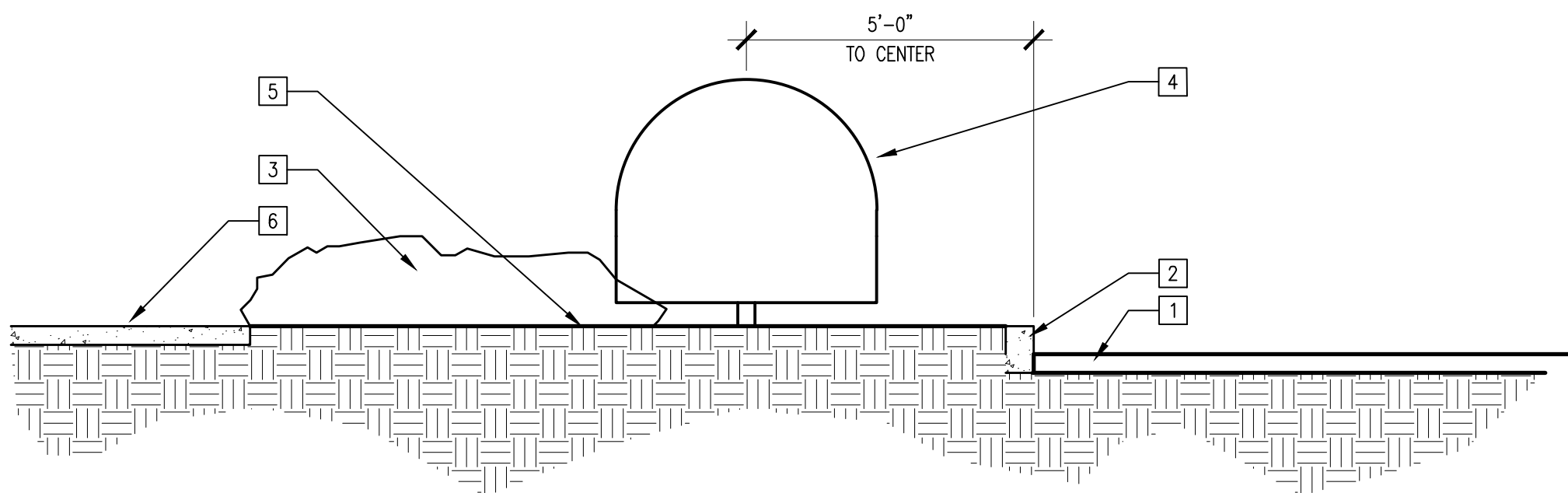
LINEAR ROOT BARRIER 1 1/2" = 1'-0" DT02LP32 10



LEGEND:

- 1 LEAN NURSERY STAKE AGAINST FACE OF WALL AND SPREAD PLANT ON WALL SURFACE.
- 2 NURSERY STAKE
- 3 2" MULCH LAYER, MAINTAIN CONSTANTLY. SEE SPECIFICATIONS UNLESS OTHERWISE INDICATED ON PLAN.
- 4 ADJACENT MATERIAL SEE PLAN
- 5 PLANTING TABLETS SEE SPECS
- 6 COMPACTED BACKFILL, SEE SPECS.
- 7 SCARIFY SIDES AND BOTTOM OF PLANTING PIT.
- 8 TOP OF ROOTBALL TO BE 1" ABOVE FINISH GRADE.
- 9 UNDISTURBED EXISTING SOIL TO FORM PEDESTAL. REPLACE W/ COMPACTED SOIL IF HARDPAN EXISTS.

VINE PLANTING 1" = 1'-0" DT02LP16 11

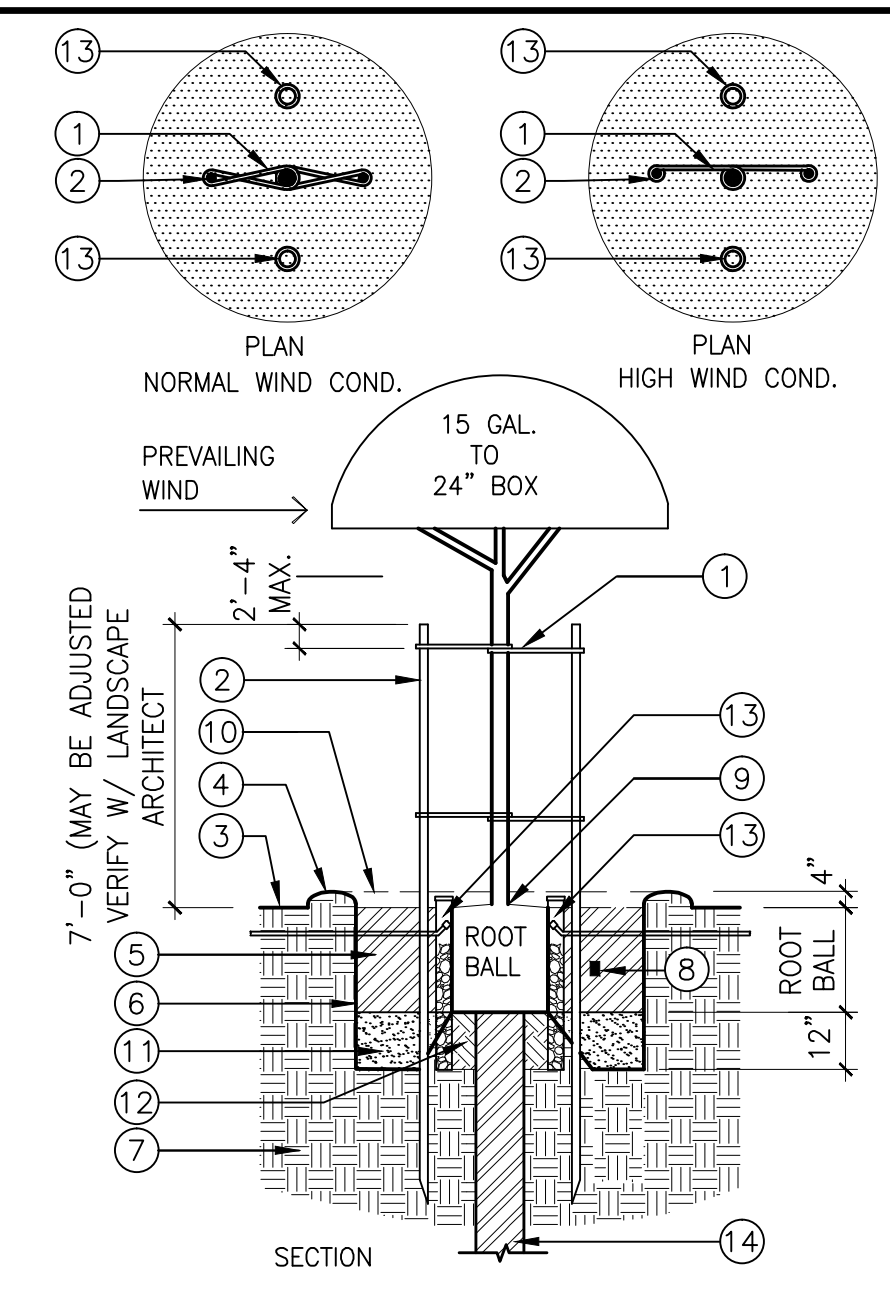


LEGEND:

- 1 PARKING STALL
- 2 CONCRETE CURB
- 3 S6 - SEE PLANT LIST FOR MORE INFORMATION
- 4 S3 - SEE PLANT LIST FOR MORE INFORMATION
- 5 PLANTING AREA
- 6 CONCRETE WALK

01 (L4.01)

SECTION AT SPINE PLANTING 3/8" = 1'-0" NAME 12



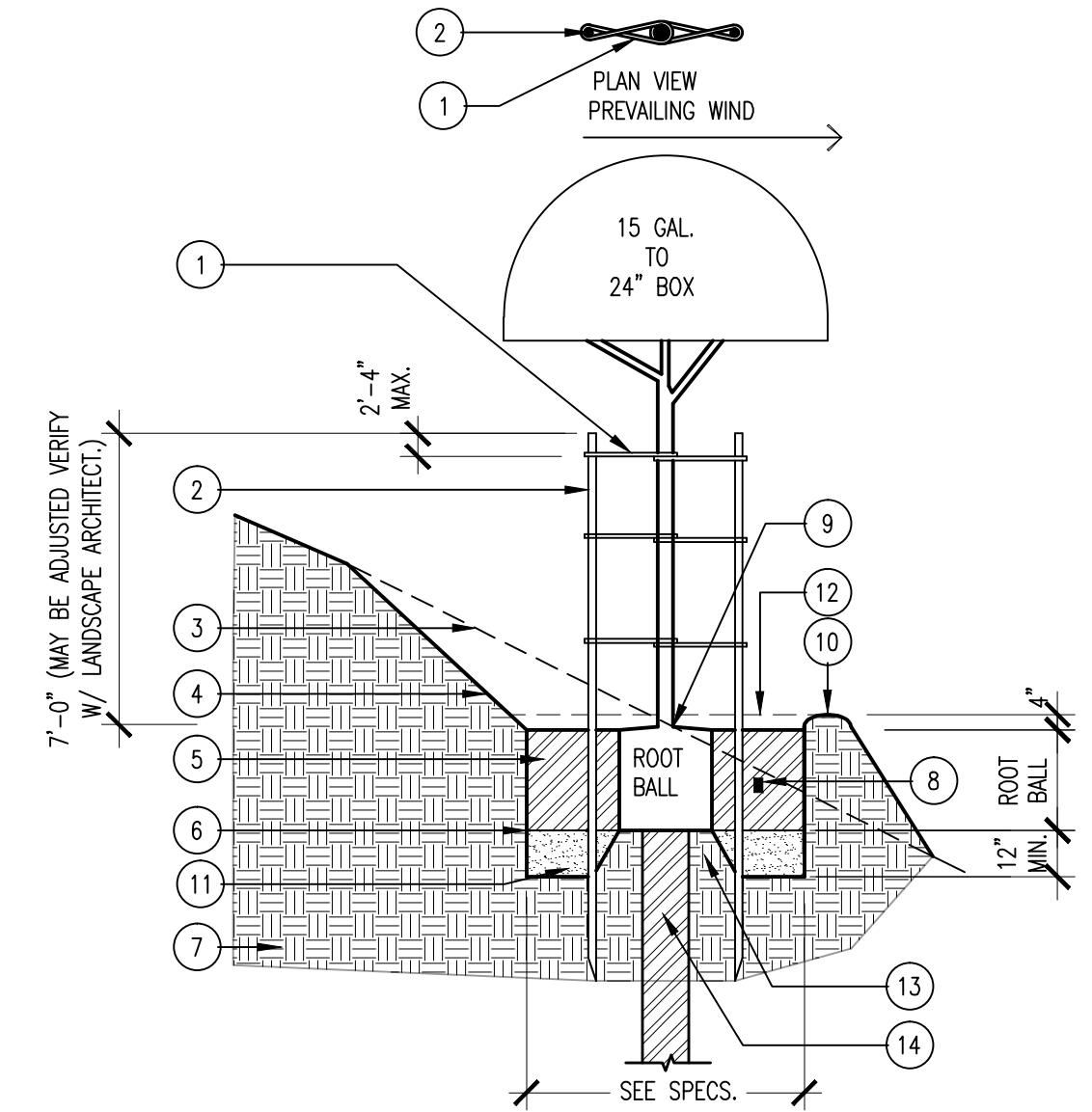
LEGEND:

- 1 3/2" BLACK VIT "CINCH TIES". ATTACH W/ TWO ROOFING NAILS. SEE PLAN VIEW.
- 2 2" DIA. X 12" LODGE POLE PINE STAKES. (HEIGHT OF STAKE - 8"-10"-12" SHOULD BE ADJUSTED BASED ON CONTAINER SIZE, HEIGHT OF TREE, AND GROWTH RATE) CUT STAKES AS DIRECTED BY LANDSCAPE ARCHITECT.
- 3 FINISH GRADE
- 4 WATER BASIN, 4" MIN. DEPTH FOR 5 GAL. & LARGER 2" MIN. FOR 1 GAL. REMOVE BASIN IN LAWN AREAS AND AS DIRECTED BY LANDSCAPE ARCHITECT.
- 5 AMENDED BACKFILL. SEE SPECIFICATIONS FOR MIX AND PIT SIZE
- 6 SCARIFY SIDES AND BOTTOM OF PLANTING PIT.
- 7 EXISTING SOIL.
- 8 PLANT TABLET. SEE SPECS.
- 9 SET TOP OF ROOTBALL 2" ABOVE SURROUNDING GRADE AND SLOPE FOR DRAINAGE. PROVIDE 2" DIA. MULCH RING AT TREES WITHIN TURF. ADJUST HEIGHT OF TREE PLANTING TO ACCOMMODATE SETTLING DUE TO SOIL TYPE.
- 10 2" MULCH, MAINTAIN CONSTANTLY. SEE SPECS.
- 11 COMPACTED BACKFILL - PUDDLE AND SETTLE PRIOR TO SETTING TREE
- 12 UNDISTURBED EXISTING SOIL TO FORM PEDESTAL. REPLACE WITH COMPACTED NATURAL SOIL IF HARDPAN EXISTS.
- 13 IRRIGATION BUBBLER IN 3'-0" X 4" PERFORATED PIPE W/ BLACK GRATE AT F.T.G. SEE IRRIGATION PLAN, WHERE EXISTS.
- 14 12" x 6'-0" DEEP POSTHOLE WITH DRAIN ROCK

NOTES:

1. INSTALL BUBBLER PIPE 6" FROM EDGE OF ROOTBALL.
2. INSTALL BUBBLER ONLY IN LOCATIONS INDICATED ON PLANS
3. SEE DETAIL 02 FOR TREE PLANTING AT SLOPES.

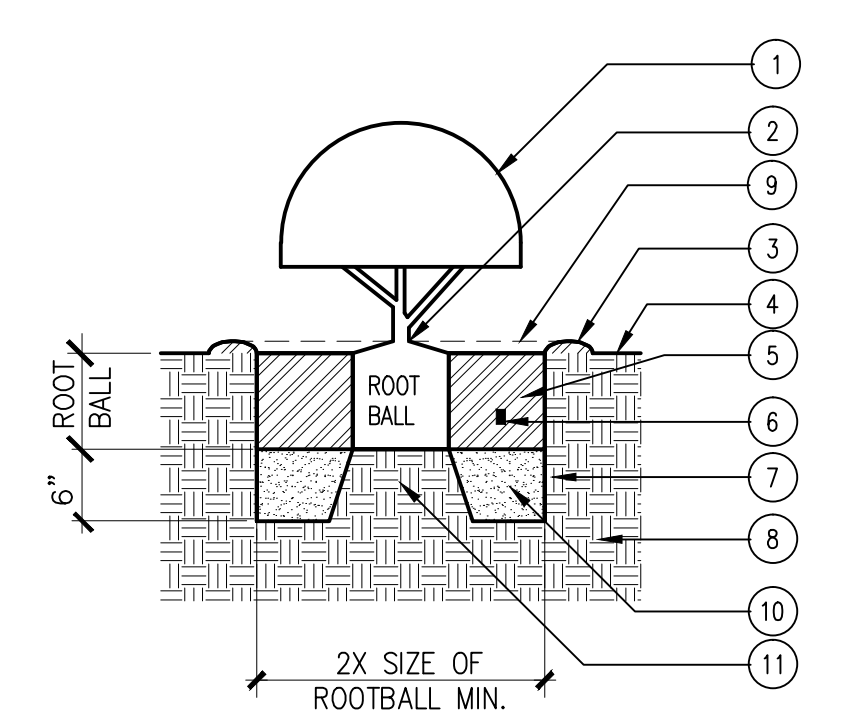
TREE STAKING AND PLANTING DETAIL WITH IRRIGATION BUBBLER 1/4" = 1'-0" DT02LP22 01



LEGEND:

- 1 3/2" BLACK VIT "CINCH TIES". ATTACH W/ TWO ROOFING NAILS. SEE PLAN VIEW
- 2 2" DIA. X 12" LODGE POLE, PINE STAKES. (HEIGHT OF STAKE - 8"-10"-12" SHOULD BE ADJUSTED BASED ON CONTAINER SIZE, HEIGHT OF TREE, AND GROWTH RATE) CUT STAKE AS DIRECTED BY LANDSCAPE ARCHITECT.
- 3 EXISTING SLOPE
- 4 CUT SLOPE TO MEET PLANT PIT.
- 5 AMENDED BACKFILL. SEE SPECIFICATIONS FOR MIX AND PIT SIZE.
- 6 SCARIFY SIDES AND BOTTOM OF PLANTING PIT.
- 7 EXISTING SOIL.
- 8 PLANT TABLET. SEE SPECS.
- 9 SET TOP OF ROOTBALL 2" ABOVE SURROUNDING GRADE AND SLOPE FOR DRAINAGE. PROVIDE 2" DIA. MULCH RING AT TREES WITHIN TURF. ADJUST HEIGHT OF TREE PLANTING BASED ON SETTLING DUE TO SOIL TYPE.
- 10 WATER BASIN, 4" MIN. FOR 5 GAL. & LARGER, 2" MIN FOR 1 GAL. SEE SPECS. REMOVE BASIN IN LAWN AREAS AND AS DIRECTED BY LANDSCAPE ARCHITECT.
- 11 COMPACTED BACKFILL - PUDDLE AND SETTLE PRIOR TO SETTING TREE.
- 12 2" MULCH, MAINTAIN CONSTANTLY SEE SPECS.
- 13 UNDISTURBED EXISTING SOIL TO FORM PEDESTAL. REPLACE W/ COMPACTED NATURAL SOIL IF HARDPAN EXISTS.
- 14 12" x 6'-0" DEEP POSTHOLE WITH DRAIN ROCK.

TREE STAKING AND PLANTING ON SLOPE 1/4" = 1'-0" DT02LP12 02



LEGEND:

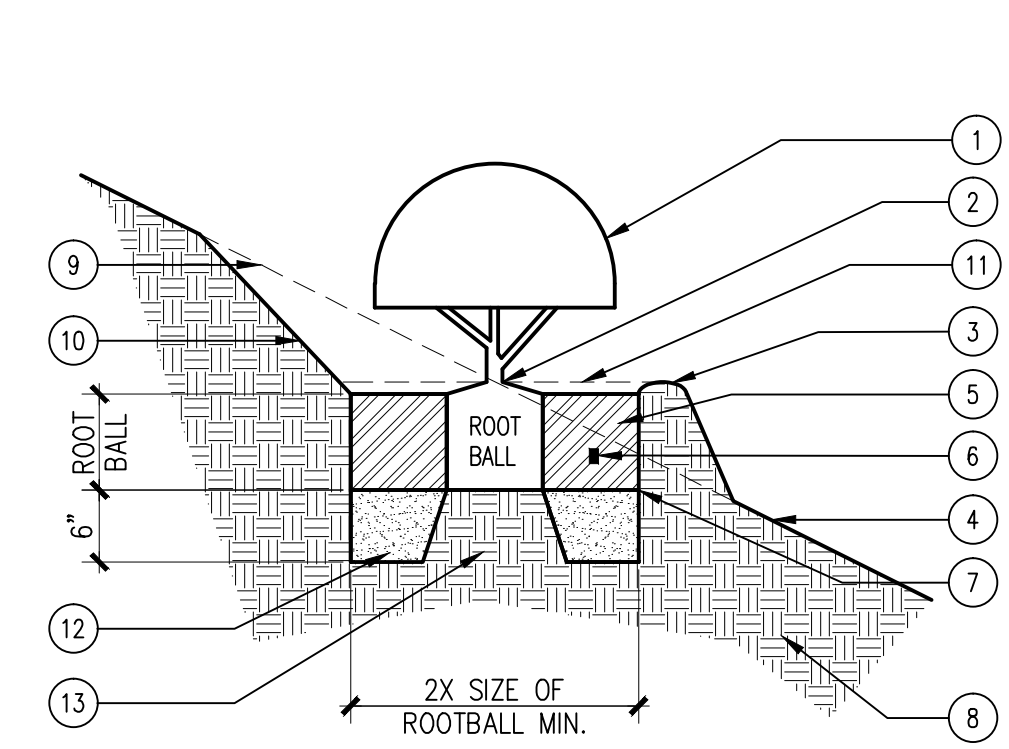
- 1 1 TO 15 GALLON SHRUB. (SEE PLANTING PLAN)
- 2 SET CROWN OF ROOTBALL 1" ABOVE FINISH GRADE AND SLOPE SOIL AWAY FROM ROOTBALL. ADJUST HEIGHT OF PLANTING TO ACCOMMODATE SETTLING DUE TO SOIL TYPES.
- 3 WATER BASIN, 4" MIN. FOR 5 GALLON & LARGER, 2" MIN FOR 1 GALLON
- 4 FINISH GRADE
- 5 AMENDED BACKFILL. SEE SPECS. FOR MIX AND PIT SIZE.
- 6 PLANT TABLET. SEE SPECS.
- 7 SCARIFY SIDES AND BOTTOM OF PLANTING PIT.
- 8 EXISTING SOIL.
- 9 2" MULCH, MAINTAIN CONSTANTLY. SEE SPECS.
- 10 COMPACTED BACKFILL, SEE SPECS. PUDDLE AND SETTLE PRIOR TO SETTING SHRUB.
- 11 UNDISTURBED EXISTING SOIL TO FORM PEDESTAL. REPLACE WITH COMPACTED NATURAL SOIL IF HARDPAN EXISTS.

NOTE:

SEE DETAIL 04 FOR SHRUB PLANTING ON SLOPE.

SEE DETAIL 09 FOR SPACING DIAGRAM

SHRUB PLANTING DETAIL 3/4" = 1'-0" DT02LP14 03



LEGEND:

- 1 1 TO 15 GALLON SHRUB. (SEE PLANTING PLAN)
- 2 SET CROWN OF ROOTBALL 1" ABOVE FINISH GRADE AND SLOPE SOIL AWAY FROM ROOTBALL. ADJUST HEIGHT OF PLANTING TO ACCOMMODATE SETTLING DUE TO SOIL TYPES.
- 3 WATER BASIN, 4" MIN. FOR 5 GALLON & LARGER, 2" MIN FOR 1 GALLON
- 4 FINISH GRADE
- 5 AMENDED BACKFILL. SEE SPECS. FOR MIX AND PIT SIZE.
- 6 PLANT TABLET. SEE SPECS.
- 7 SCARIFY SIDES AND BOTTOM OF PLANTING PIT.
- 8 EXISTING SOIL.
- 9 EXISTING SLOPE
- 10 CUT SLOPE TO MEET ROOTBALL.
- 11 2" MULCH, MAINTAIN CONSTANTLY SEE SPECS.
- 12 COMPACTED BACKFILL, SEE SPECS. PUDDLE AND SETTLE PRIOR TO SETTING SHRUB.
- 13 UNDISTURBED EXISTING SOIL TO FORM PEDESTAL. REPLACE WITH COMPACTED NATURAL SOIL IF HARDPAN EXISTS.

NOTE:

SEE DETAIL 09 FOR SPACING DIAGRAM

SHRUB PLANTING ON SLOPE 3/4" = 1'-0" DT02LP15 04

FEBRUARY 2012 RECORD DRAWING NOTE:

THESE AS-BUILT RECORD DRAWINGS HAVE BEEN PREPARED BASED ON INFORMATION PROVIDED BY THE GENERAL CONTRACTOR / OTHERS. LPA AND ITS CONSULTANTS HAVE NOT VERIFIED THE ACCURACY AND/OR COMPLETENESS OF THIS INFORMATION AND ARE NOT RESPONSIBLE FOR ANY ERRORS OR OMISSIONS THAT MAY BE INCORPORATED AS A RESULT. LPA DOES NOT ASSUME ANY RESPONSIBILITY FOR THE FIELD MODIFICATIONS TO THE PLANS.

architects and planners
noll tam

729 Heinz Avenue
Berkeley, CA 94710
510.649.8295
fax 510.649.3008

LPA

Architecture
Planning
Interior Design
Landscape Architecture
Graphics

1548 Eureka Road
Suite 101
Roseville, California 95661

P 916 | 772-4300
F 916 | 772-4330
E lpa@lpa-inc.com
W www.lpa-inc.com

This set of all other project documents and all sheets, methods and details incorporated therein are instruments of service. All project documents are the property of LPA, INC. and shall remain the property of LPA, INC. until the project is completed. LPA, INC. shall retain the right to use any information contained herein for any purpose whatsoever. LPA, INC. shall not be held responsible for any errors or omissions in any project documents. LPA, INC. shall not be held responsible for any errors or omissions in any project documents. LPA, INC. shall not be held responsible for any errors or omissions in any project documents. LPA, INC. shall not be held responsible for any errors or omissions in any project documents.

CALIFORNIA STATE FIRE MARSHAL
APPROVED

APPROVAL OF THIS PLAN DOES NOT AUTHORIZE OR APPROVE ANY CONSTRUCTION OR DEVIATION FROM APPLICABLE REGULATIONS. FINAL APPROVAL IS SUBJECT TO FIELD INSPECTION. ONE SET OF APPROVED PLANS SHALL BE AVAILABLE ON THE PROJECT SITE AT ALL TIMES.

REVIEWED BY: _____ DATE: _____

CSM
NORTH
GATEWAY
LOAD CENTER
& SITE WALL

1700
West Hillsdale Blvd
San Mateo, CA
94402

REGULATED LANDSCAPE ARCHITECT
KEVIN MICHAEL BULLIWIN
signature
NO. 2188
RENEWAL 5-31-12
DATE

PROJECT
RECORD
DOCUMENT

SHEET TITLE
PLANTING
DETAILS

REVISIONS		
NO.	DATE	DESCRIPTION

DATE FEBRUARY 24, 2012

DRAWN KF
CHECKED KS
SCALE
JOB NO. 28066.10

SHEET NUMBER
L6.05