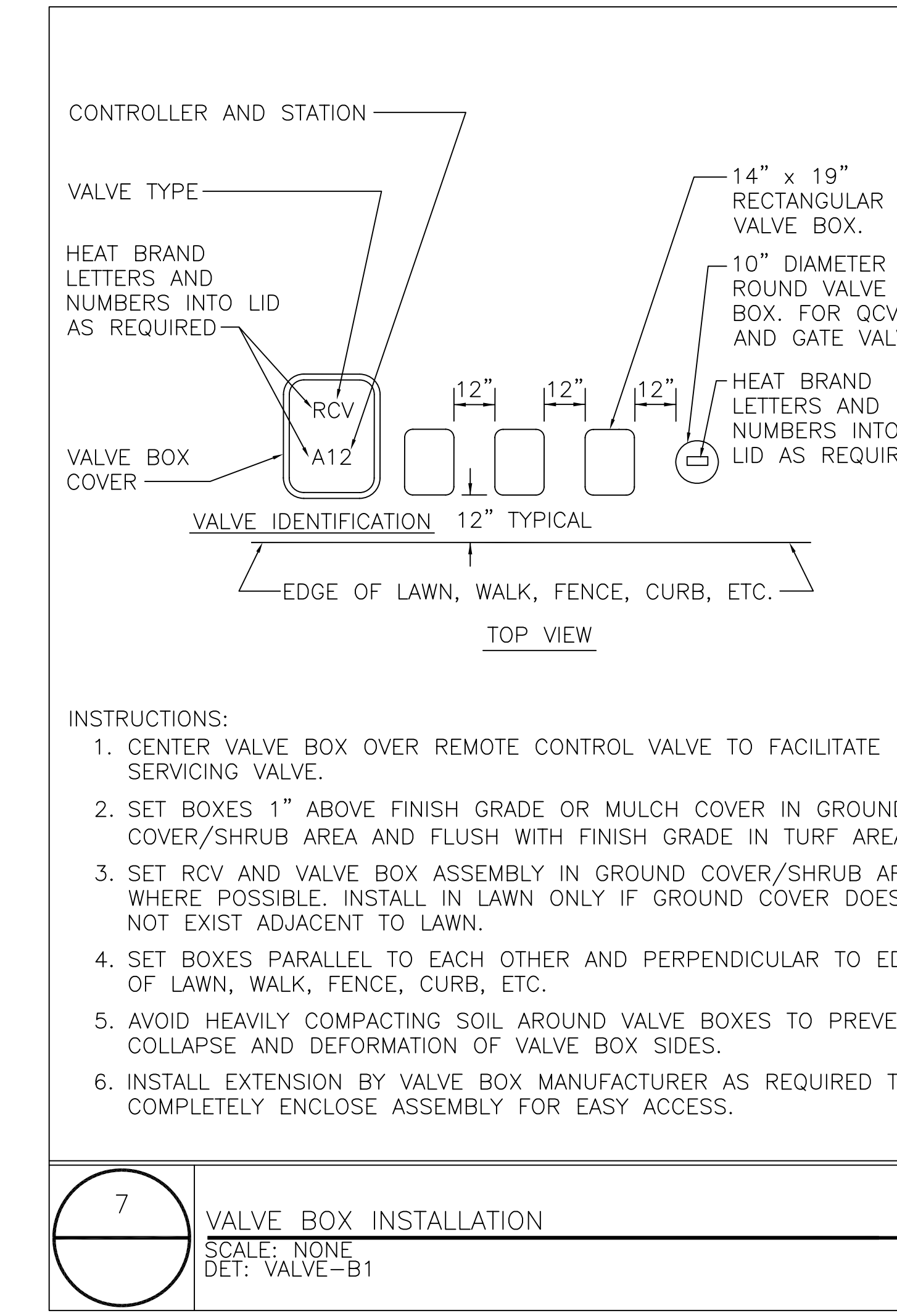
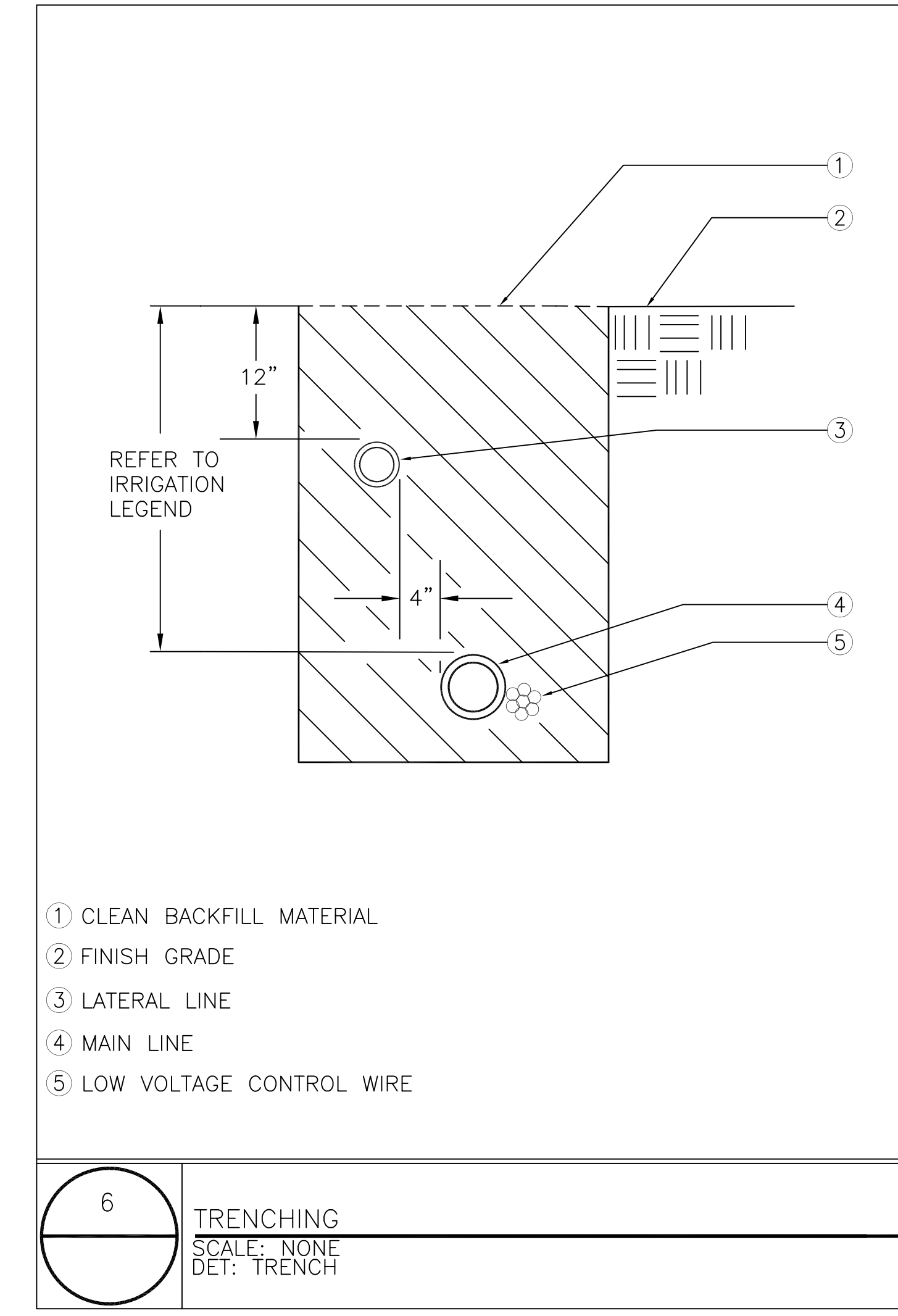
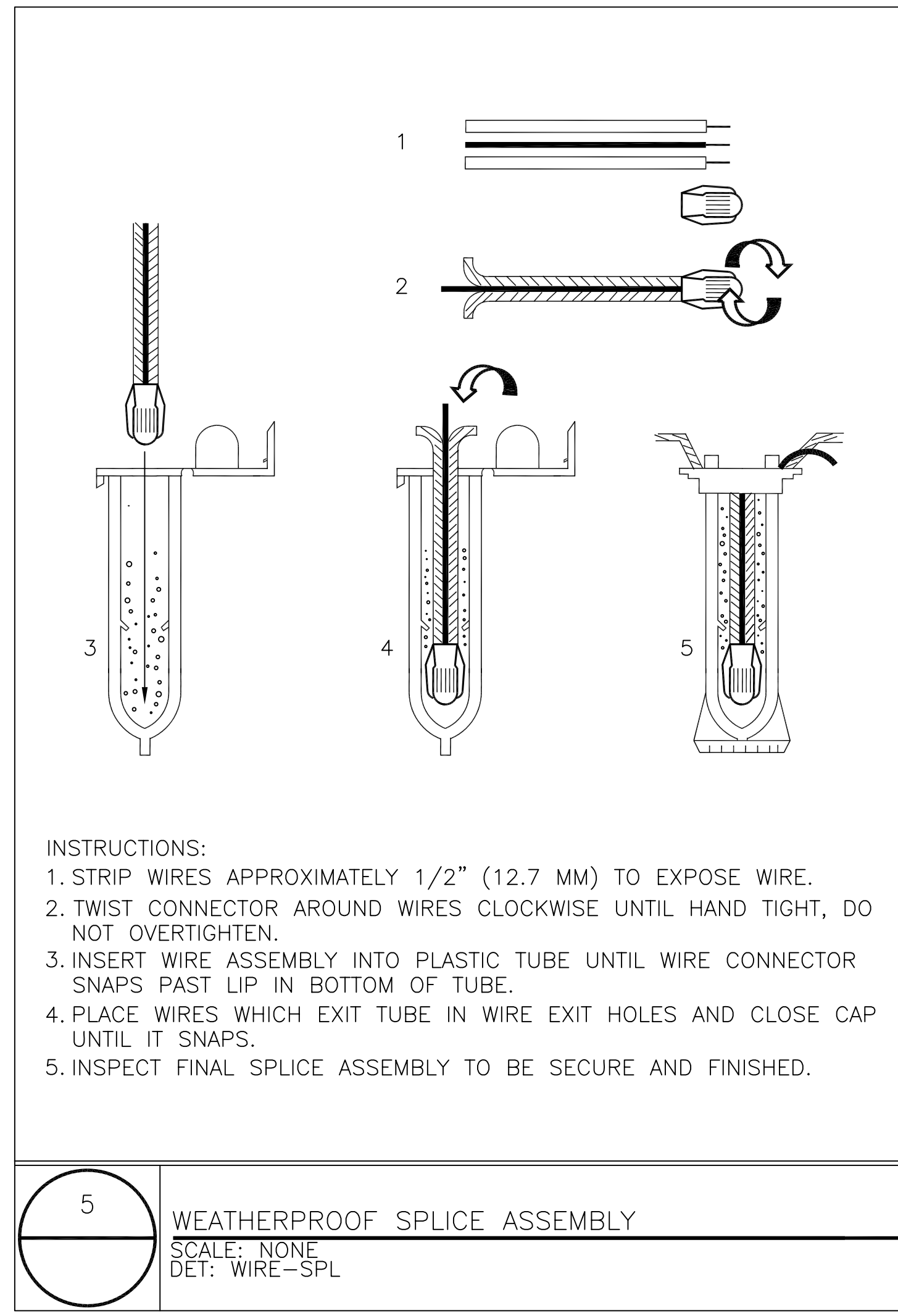
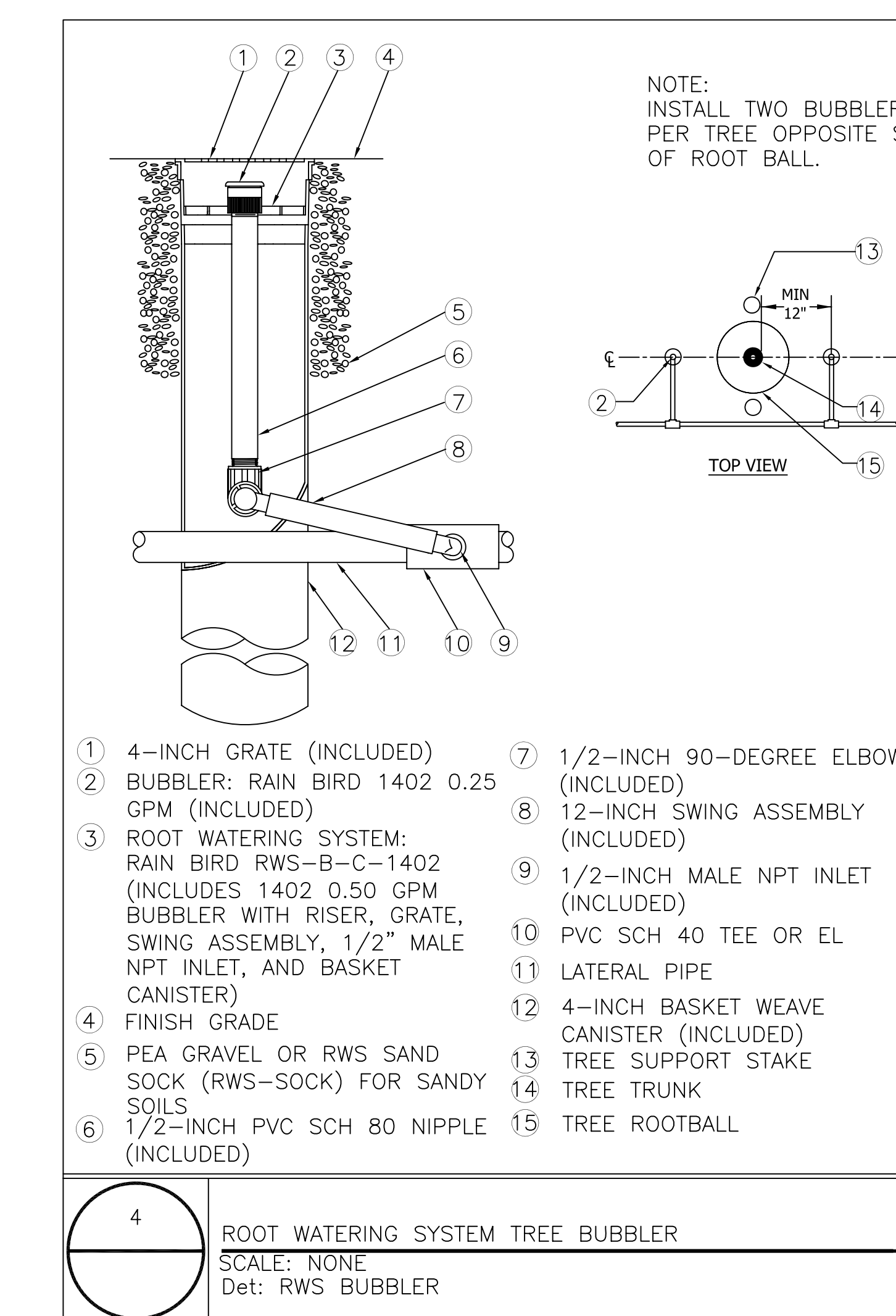
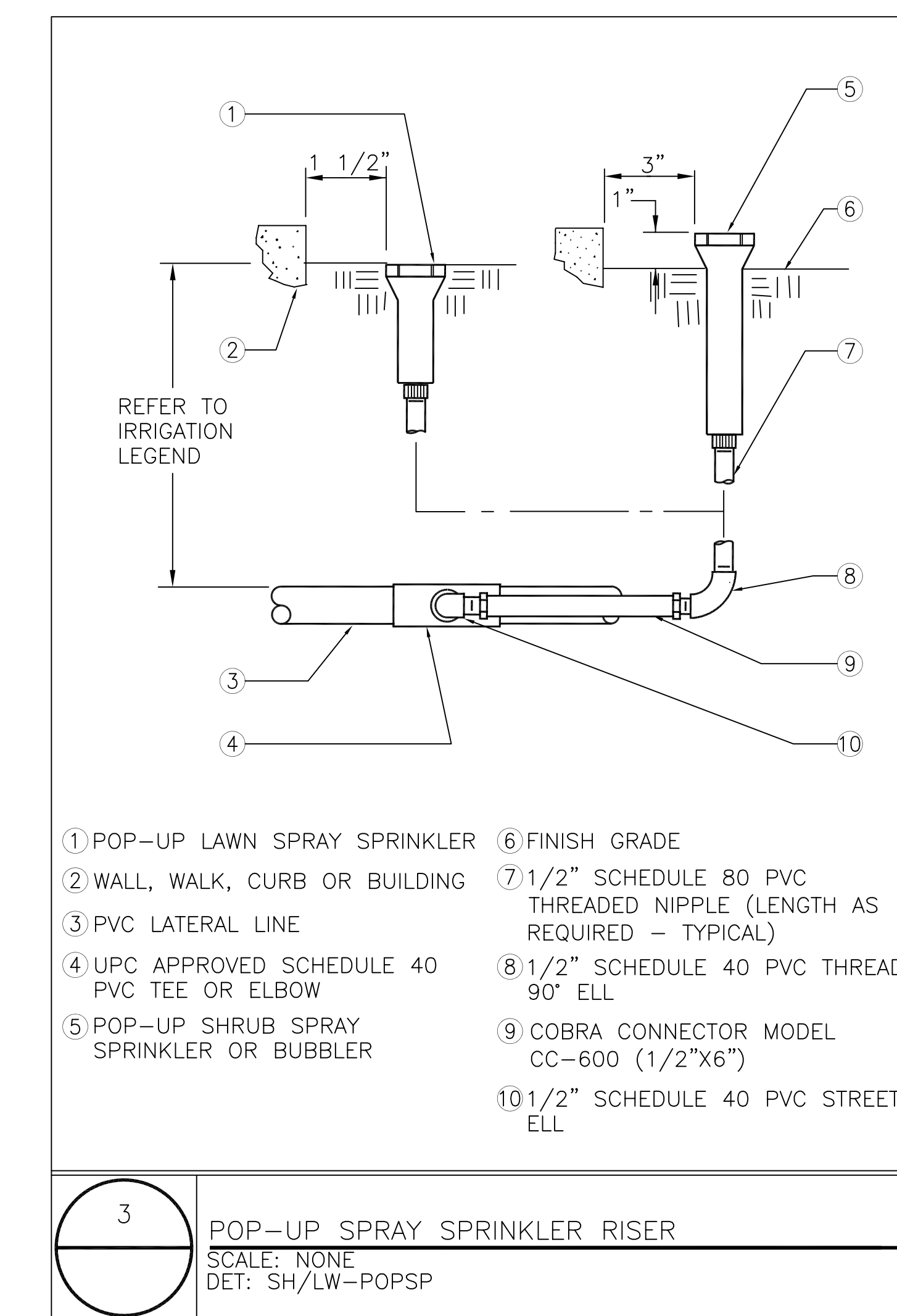
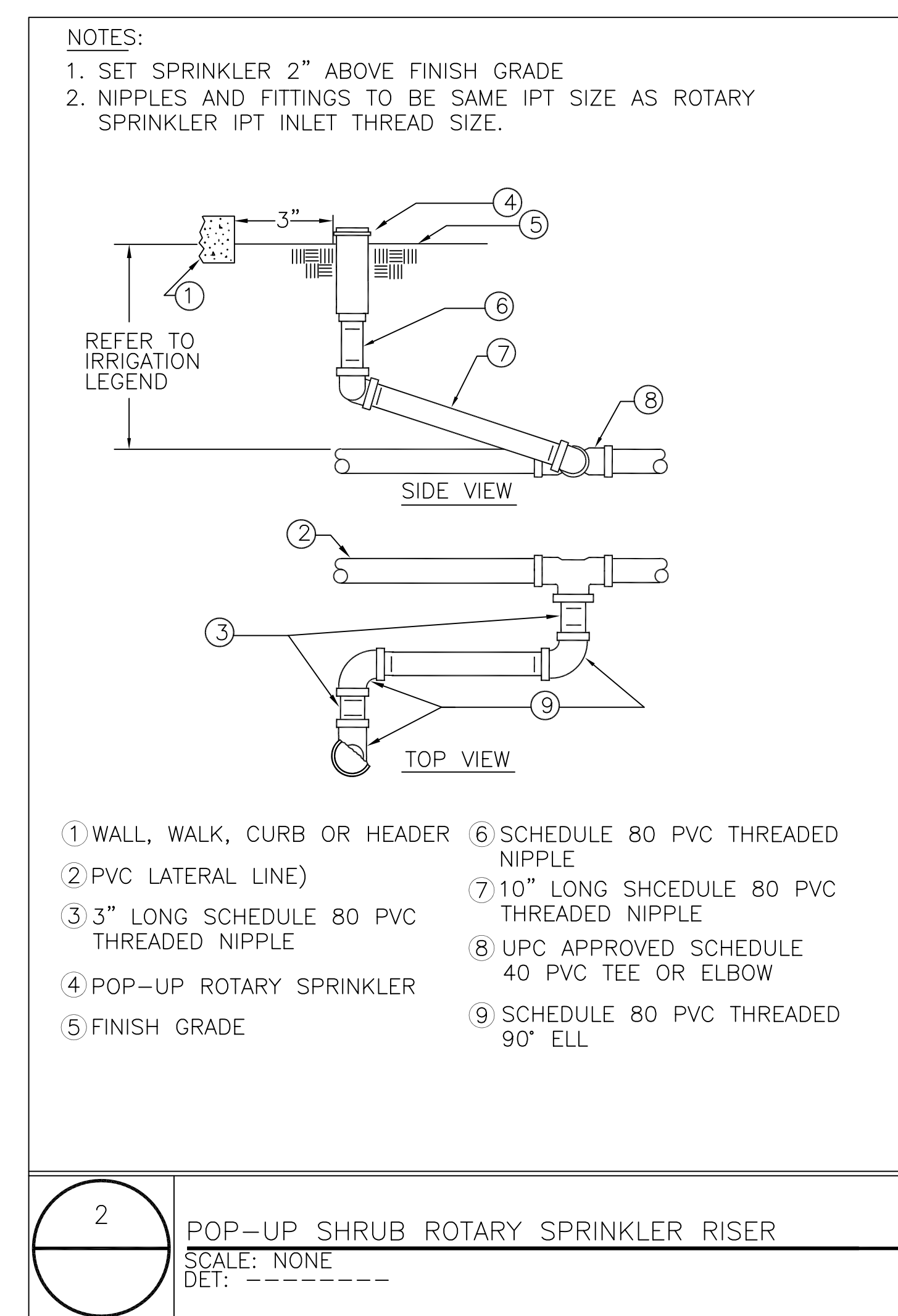
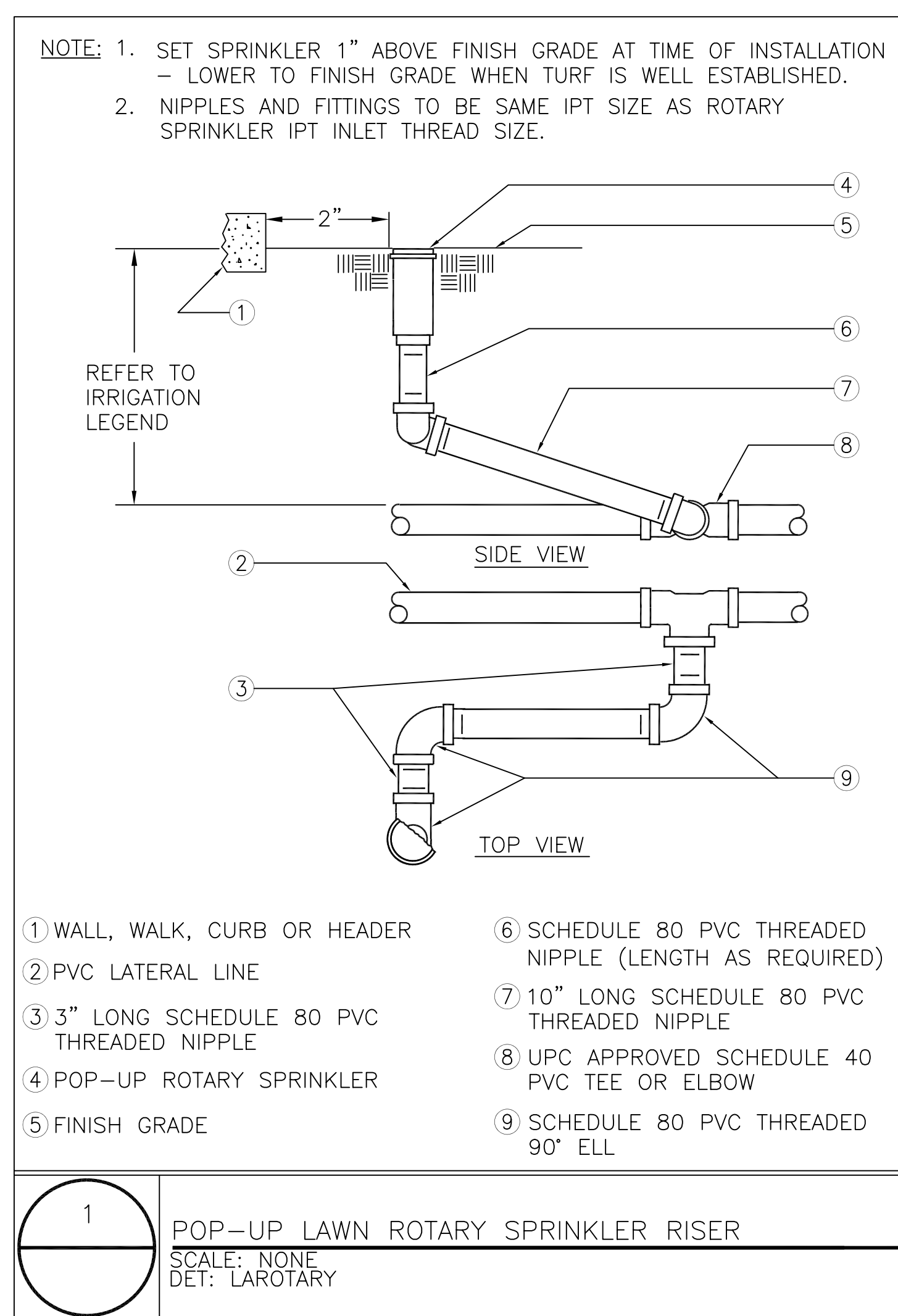


REVISIONS		
NO.	DATE	DESCRIPTION



FEBRUARY 2012 RECORD DRAWING NOTE:
THESE AS-BUILT RECORD DRAWINGS HAVE BEEN PREPARED BASED ON INFORMATION PROVIDED BY THE GENERAL CONTRACTOR / OTHERS. LPA AND ITS CONSULTANTS HAVE NOT VERIFIED THE ACCURACY AND/OR COMPLETENESS OF THIS INFORMATION AND ARE NOT RESPONSIBLE FOR ANY ERRORS OR OMISSIONS THAT MAY BE INCORPORATED AS A RESULT. LPA DOES NOT ASSUME ANY RESPONSIBILITY FOR THE FIELD MODIFICATIONS TO THE PLANS.

Registration Consultant:
Russell D. Mitchell Associates, Inc.
2766 Geneva Drive
Walnut Creek, CA 94597
Phone (925) 932-2188
Fax (925) 932-2671
www.rdamwsp.com