

EQUIPMENT SCHEDULES

BASEBOARD RADIATOR SCHEDULE

SYMBOL	LOCATION	MANUFACTURER & MODEL NO.	CABINET SIZE	CAPACITY (BTUH)	CPM	EMT LMT	REMARKS
BR-15-1	BUILDING 15 1ST FLOOR	MOODNE FLOOR4824	24"H x 48"L x 8"D	10,000	1.0	220/200	FLAT TOP FLOOR MOUNTED WITH INLET AND OUTLET LOUVERS AND WALL MOUNTED THERMOSTAT.
BR-15-2	BUILDING 15 1ST FLOOR	MOODNE FLOOR426	26"H x 64"L x 8"D	15,000	1.5	220/200	FLAT TOP FLOOR MOUNTED WITH INLET AND OUTLET LOUVERS AND WALL MOUNTED THERMOSTAT.
BR-15-3	BUILDING 15 1ST FLOOR	MOODNE FLOOR4032	32"H x 40"L x 8"D	10,000	1.0	220/200	FLAT TOP FLOOR MOUNTED WITH INLET AND OUTLET LOUVERS AND WALL MOUNTED THERMOSTAT.
BR-15-4	BUILDING 15 1ST FLOOR	MOODNE FLOOR4832	32"H x 48"L x 8"D	12,500	1.25	220/200	FLAT TOP FLOOR MOUNTED WITH INLET AND OUTLET LOUVERS AND WALL MOUNTED THERMOSTAT.
BR-15-5	BUILDING 15 1ST FLOOR	MOODNE FLOOR4424	24"H x 44"L x 8"D	9,500	1.0	220/200	FLAT TOP FLOOR MOUNTED WITH INLET AND OUTLET LOUVERS AND WALL MOUNTED THERMOSTAT.

SPLIT SYSTEM FAN COIL

SYMBOL	LOCATION	MANUFACTURER & MODEL NO.	CFM	S.P.	RPM	REF.	TOTAL WBT	SENS. WBT	SUC. EDB	COND. EWB	BHP	WATT	VOLTAGE	WEIGHT (lbs)	REMARKS
FC-15-1	MDF RM.	MITSUBISHI PAK-A122A	390	-	-	R-410A	12.0	10.3	90	67	-	30	208-230/19/60	35	WALL MOUNTED FCU WITH REMOTE CONTROLLER

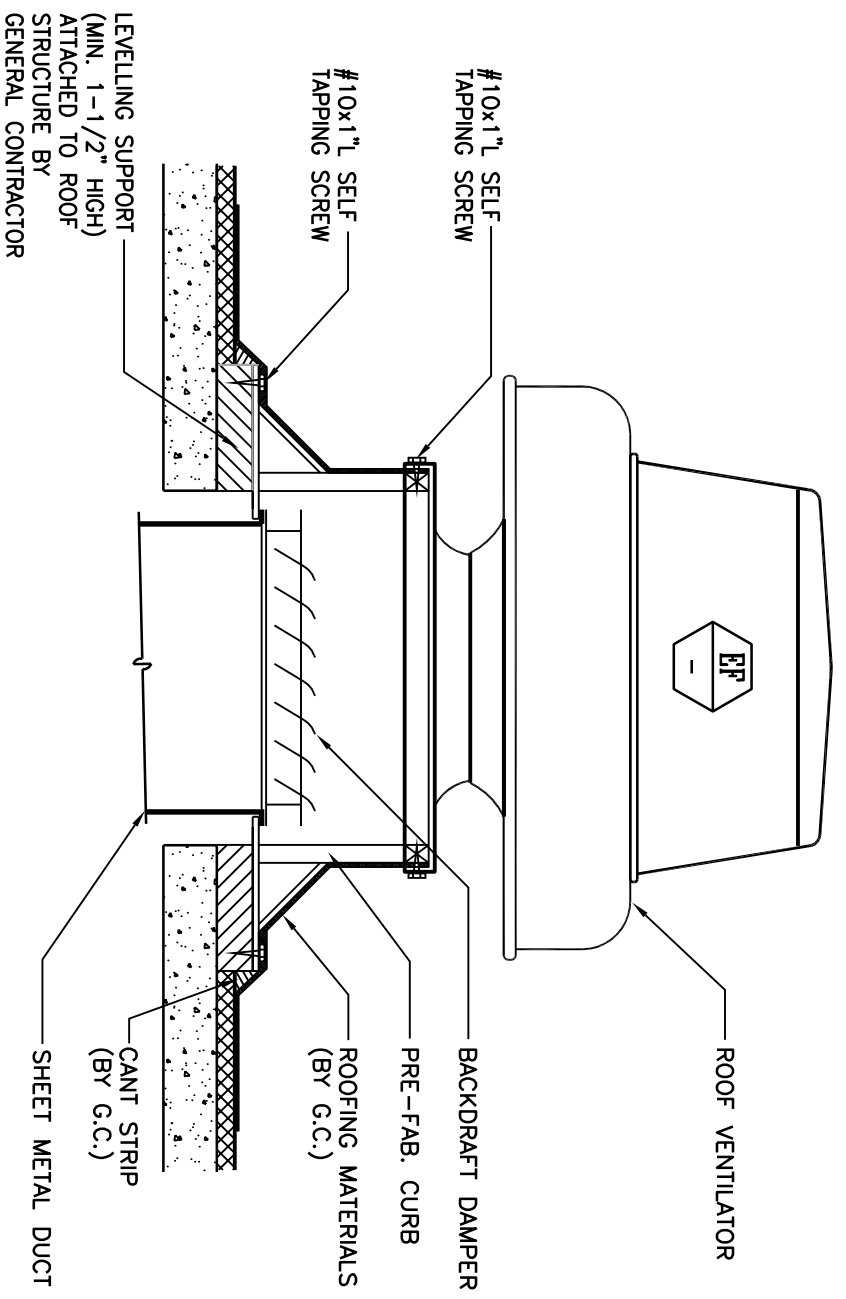
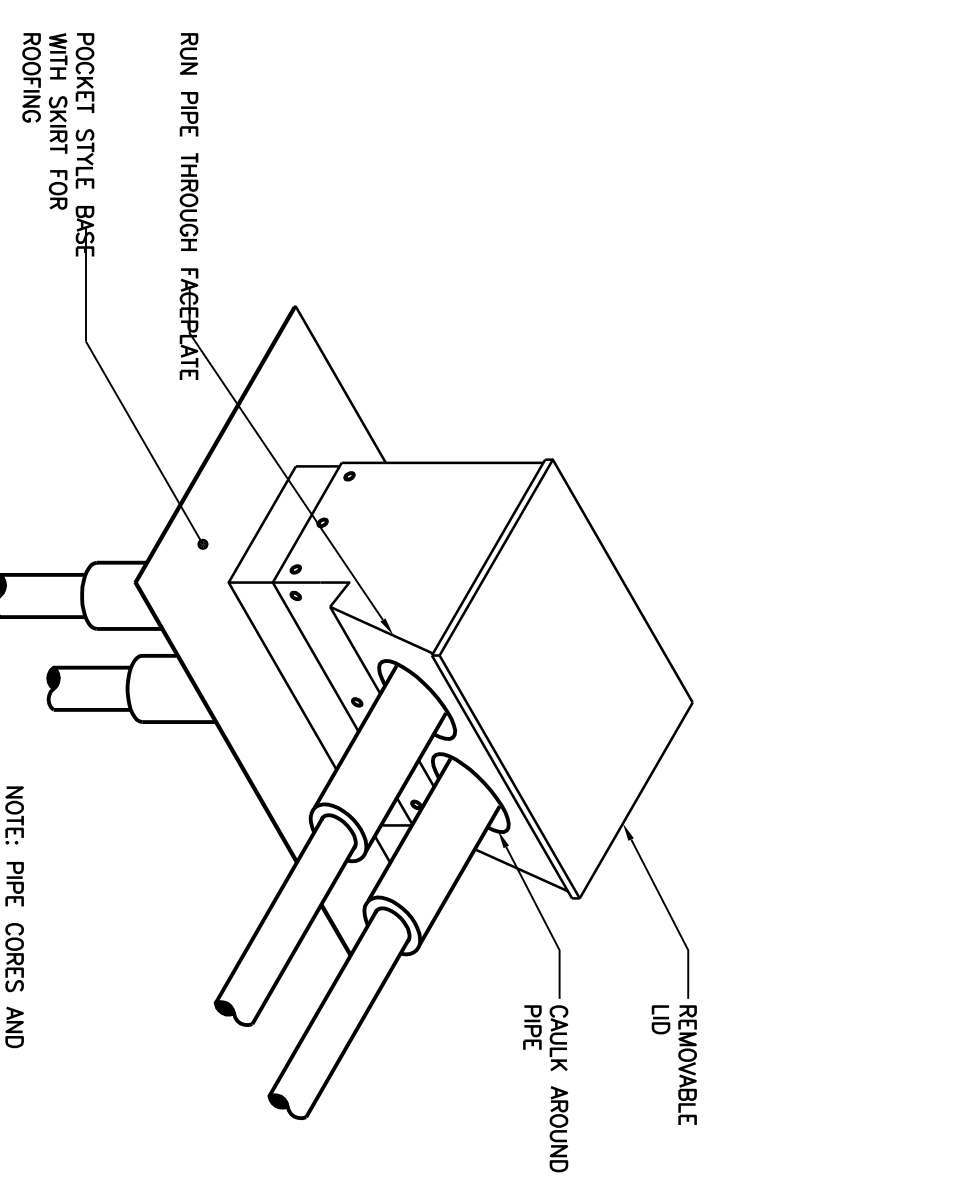
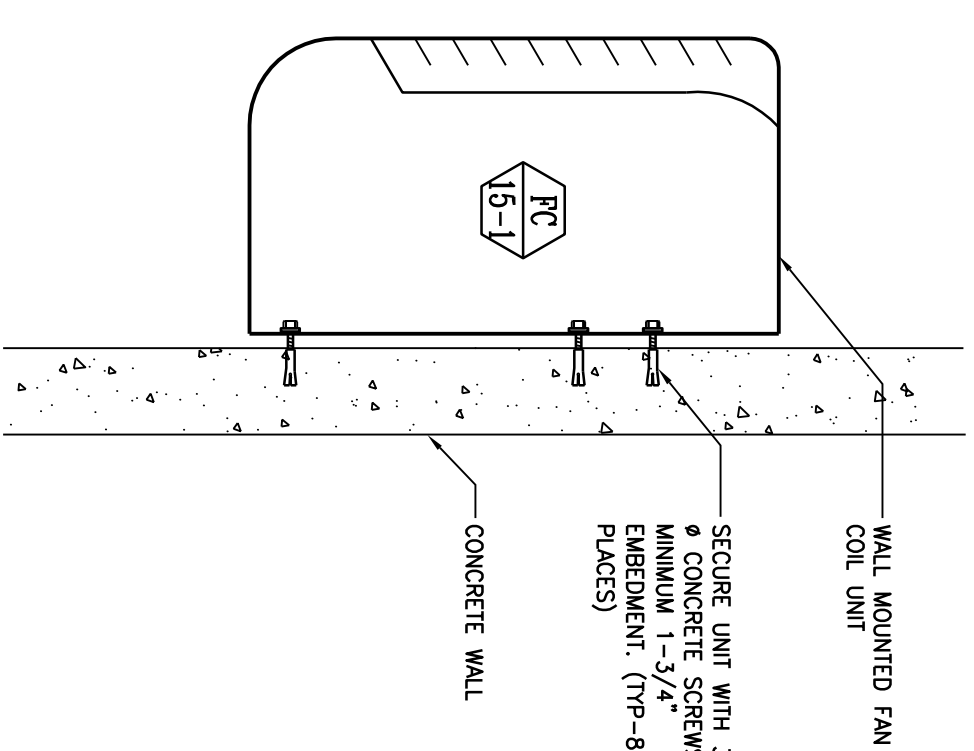
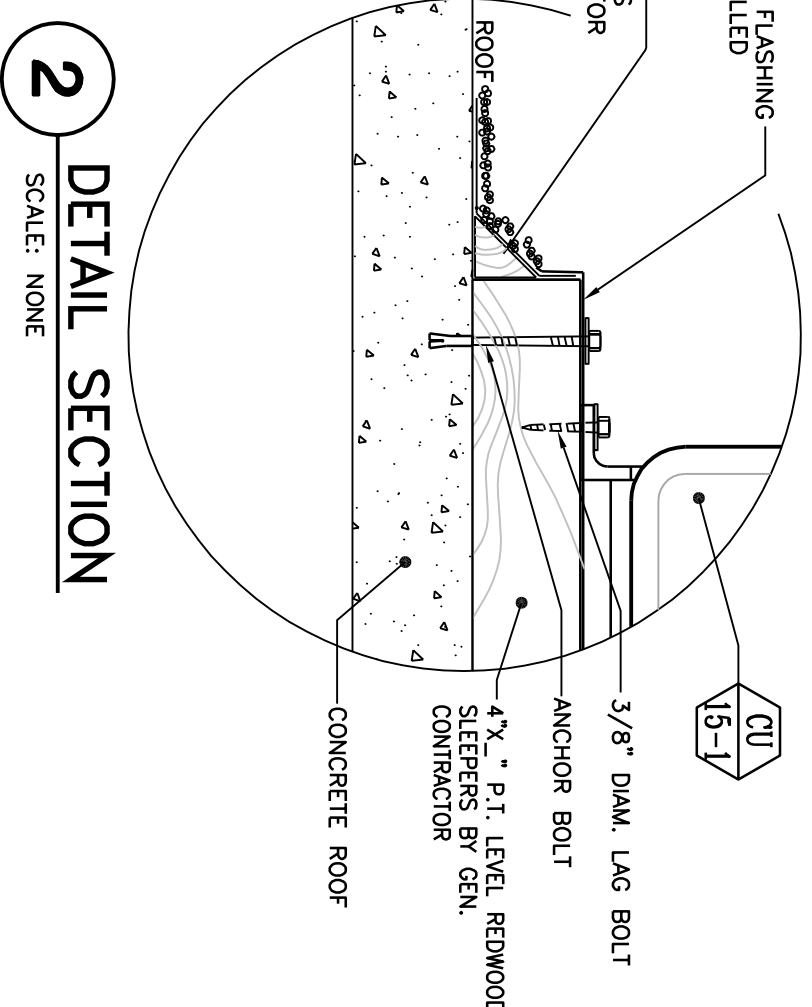
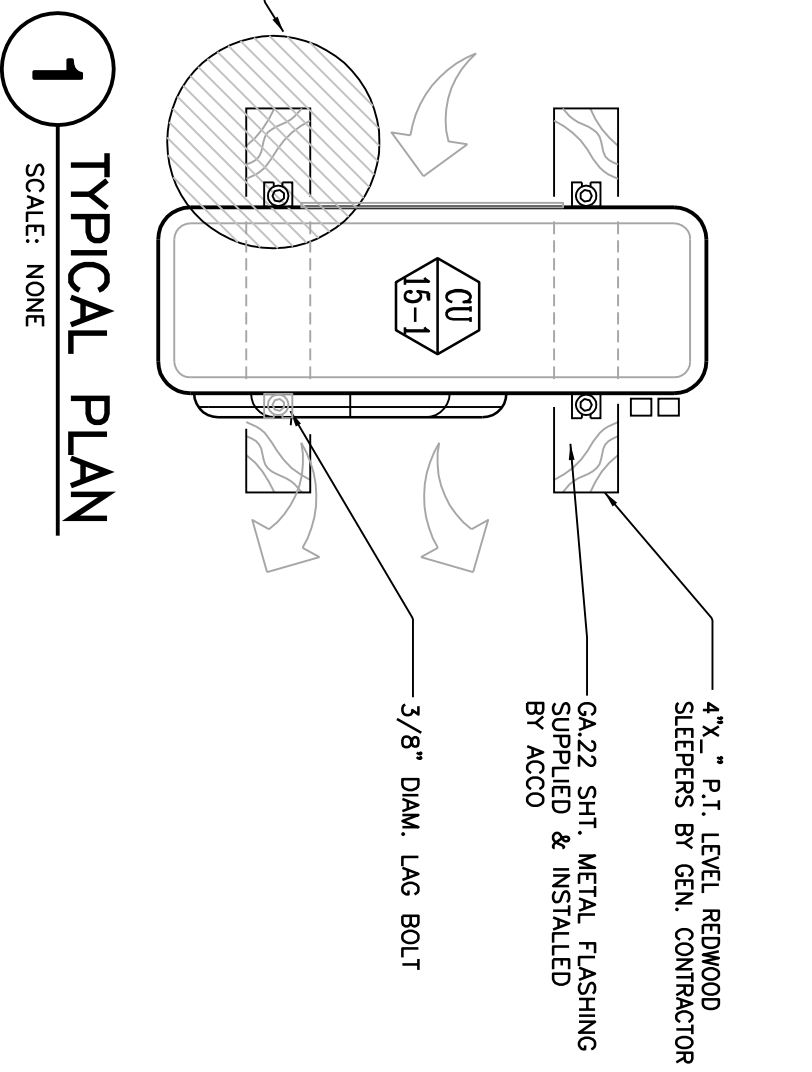
SPLIT SYSTEM CONDENSING UNIT

SYMBOL	LOCATION	MANUFACTURER & MODEL NO.	CAP TONS	SUC. TEMP	AMB	REF.	VOLTAGE	COMP'R		COND.		MCA	MFA	MOCF	EER	WEIGHT (lbs)	REMARKS
								QTY	RLA	QTY	FLA						
CU-15-1	ROOF	MITSUBISHI PUY-A1ZMHA	1.0	-	95°F	R-410A	208-230/19/60	1	12	1	0.35	13.0	-	15.0	13.8	90	REDWOOD SLEEFERS BY G.C.

EXHAUST FAN

SYMBOL	LOCATION	MANUF'R & MODEL NO.	SERVING	CFM	S.P.	RPM	ROT DIS	BHP	HP	VOLTAGE	WEIGHT (lbs)	REMARKS
BR-15-1	BUILDING 15 ROOF	GREENHECK G-121-B	MENS & WOMENS TOILET	640	.375	1093	-	-	1/6	115/60/1	50	ROOF EXHAUST FAN WITH SWITCH, SPEED CONTROLLER, BACKRAFT DAMPER, WIRING BY ELECTRICAL CONTRACTOR.
BR-15-2	BUILDING 15 ROOF	GREENHECK G-070-C	CUST.	120	.25	1219	-	-	1/60	115/60/1	25	ROOF EXHAUST FAN WITH SWITCH, SPEED CONTROLLER, WIRING BY ELECTRICAL CONTRACTOR.

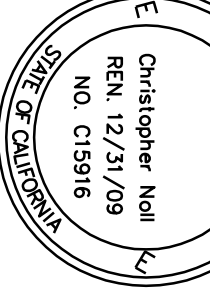
DETAILS



architects and planners

noll tam

729 Heinz Avenue
Berkeley, CA 94710
510.649.8295
fax 510.649.3008



DSA SUBMITTAL

COLLEGE OF SAN MATEO
BUILDING 15
MODERNIZATION

SMCCCD
3401 CSM Drive
San Mateo, CA 94402
College of San Mateo
1700 W. Hillside Blvd.
San Mateo, CA 94402

SHEET TITLE

EQUIPMENT SCHEDULES & DETAILS

NO.	DATE	DESCRIPTION
-	03.09.09	DSA SUBMITTAL

DATE	MARCH 9, 2009
DRAWN	LA/RG
CHECKED	CR
SCALE	AS NOTED
ACCO JOB NO.	628985
SHEET NUMBER	

ACO.03