

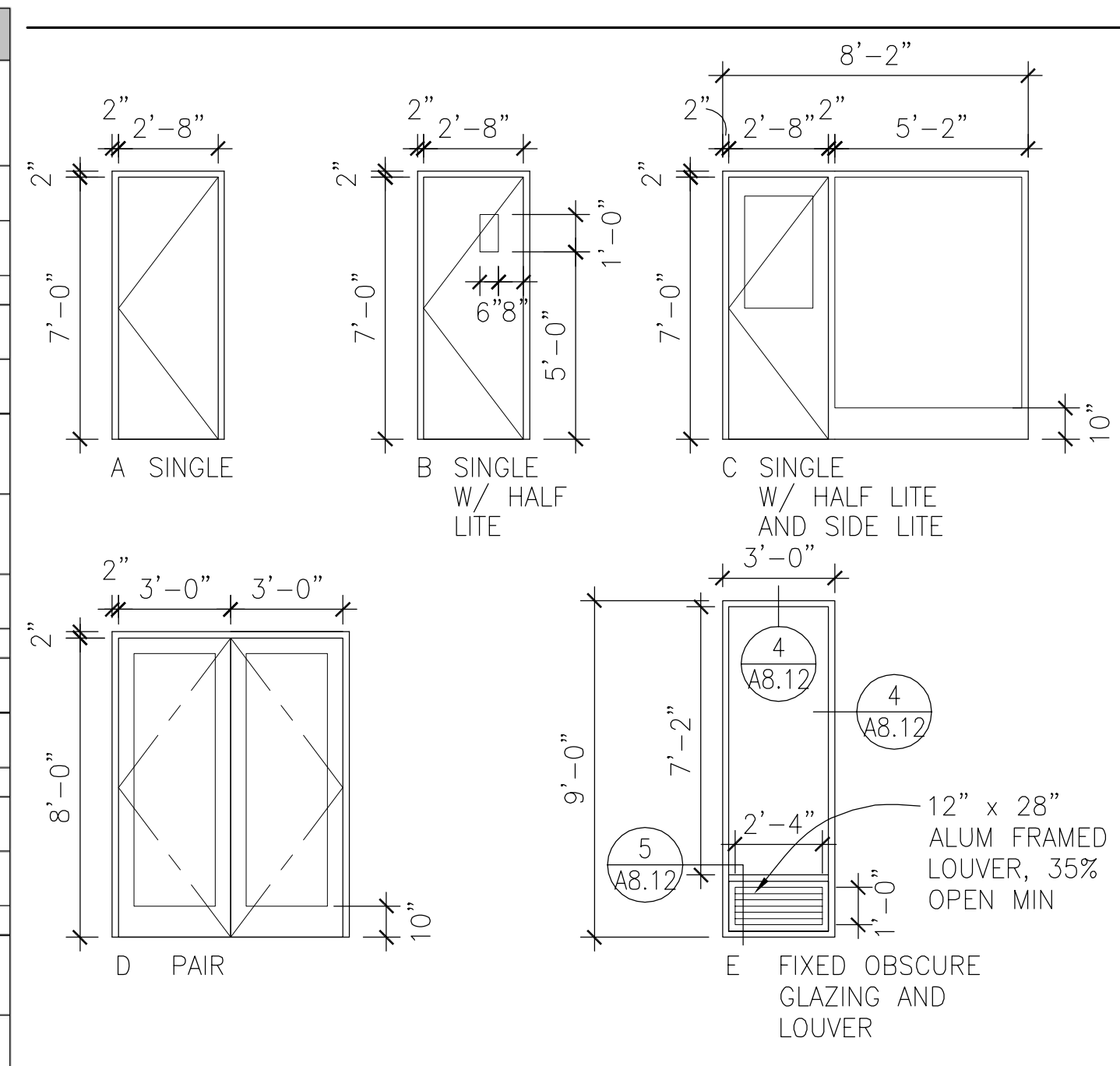
BUILDING 15 DOOR AND SCHEDULE

| ROOM    | DOOR | SIZE              | TYPE | NEW/EXIST | FINISH | FRAME | NEW/EXIS | FINISH | DOOR   | RATE | DETAILS  |          |          | SIGN | HDW | ACAMS DOOR TYPE | REMARKS                   |
|---------|------|-------------------|------|-----------|--------|-------|----------|--------|--------|------|----------|----------|----------|------|-----|-----------------|---------------------------|
|         |      |                   |      |           |        |       |          |        |        |      | HEAD     | JAMB     | SILL     |      |     |                 |                           |
| 15-H1   | A    | 6'-0" X 8'-0"     | D    | NEW       | ANOD   | ALUM  | NEW      | ANOD   | ALUM   | 0    | 11/A8.03 | 12/A8.03 | 4/A8.03  | -    | 1   | Dk              | PANIC HDW                 |
| 15-H1   | B    | 6'-0" X 8'-0"     | D    | NEW       | ANOD   | ALUM  | NEW      | ANOD   | ALUM   | 0    | 11/A8.03 | 11/A8.03 | 4/A8.03  | -    | 2   | D               | PANIC HDW                 |
| 15-H2   | A    | 6'-0" X 8'-0"     | D    | NEW       | ANOD   | ALUM  | NEW      | ANOD   | ALUM   | 0    | 11/A8.03 | 11/A8.03 | 4/A8.03  | -    | 1   | D               | PANIC HDW                 |
| 15-H2   | B    | 6'-0" X 8'-0"     | D    | NEW       | ANOD   | ALUM  | NEW      | ANOD   | ALUM   | 0    | 11/A8.03 | 11/A8.03 | 4/A8.03  | -    | 2   | D               | PANIC HDW                 |
| 15-101  | A    | 2'-8 1/2" X 7'-0" | -    | EXIST     | -      | HM    | EXIST    | -      | WD, SC | 0    | -        | -        | -        | -    | 3   | -               | -                         |
| 15-103  | A    | 2'-8 1/2" X 7'-0" | -    | EXIST     | -      | HM    | EXIST    | -      | WD, SC | 0    | -        | -        | -        | -    | 3   | -               | -                         |
| 15-105  | A    | 2'-8 1/2" X 7'-0" | -    | EXIST     | -      | HM    | EXIST    | -      | WD, SC | 0    | -        | -        | -        | -    | 3   | -               | -                         |
| 15-107  | A    | 2'-8 1/2" X 7'-0" | -    | EXIST     | -      | HM    | EXIST    | -      | WD, SC | 0    | -        | -        | -        | -    | 3   | -               | -                         |
| 15-109  | A    | 2'-8 1/2" X 7'-0" | -    | EXIST     | -      | HM    | EXIST    | -      | WD, SC | 0    | -        | -        | -        | -    | 3   | -               | -                         |
| 15-111  | A    | 2'-8 1/2" X 7'-0" | -    | EXIST     | -      | HM    | EXIST    | -      | WD, SC | 0    | -        | -        | -        | -    | 3   | -               | -                         |
| 15-113  | A    | 2'-8 1/2" X 7'-0" | -    | EXIST     | -      | HM    | EXIST    | -      | WD, SC | 0    | -        | -        | -        | -    | 4   | -               | DOOR CLOSER               |
| 15-113  | B    | 3'-0" X 7'-0"     | A    | NEW       | CLR    | HM    | NEW      | PTD    | WD, SC | 0    | 7/A8.03  | 7/A8.03  | 1/A8.03  | -    | 4A  | -               | DOOR CLOSER               |
| 15-114  | A    | 2'-8 1/2" X 7'-0" | -    | EXIST     | -      | HM    | EXIST    | -      | WD, SC | 0    | -        | -        | -        | -    | 4   | -               | -                         |
| 15-114  | B    | 2'-8 1/2" X 7'-0" | -    | EXIST     | -      | HM    | EXIST    | -      | WD, SC | 0    | -        | -        | -        | -    | 4   | -               | -                         |
| 15-115  | A    | 2'-8 1/2" X 7'-0" | -    | EXIST     | -      | HM    | EXIST    | -      | WD, SC | 0    | -        | -        | -        | -    | 5   | -               | -                         |
| 15-117  | A    | 2'-8 1/2" X 7'-0" | -    | EXIST     | -      | HM    | EXIST    | -      | WD, SC | 0    | -        | -        | -        | -    | 5   | -               | -                         |
| 15-120  | A    | 2'-8 1/2" X 7'-0" | -    | EXIST     | -      | HM    | EXIST    | -      | WD, SC | 0    | -        | -        | -        | -    | 3   | -               | -                         |
| 15-121  | A    | 2'-8 1/2" X 7'-0" | -    | EXIST     | -      | HM    | EXIST    | -      | WD, SC | 0    | -        | -        | -        | -    | 3   | -               | -                         |
| 15-122  | A    | 2'-8 1/2" X 7'-0" | -    | EXIST     | -      | HM    | EXIST    | -      | WD, SC | 0    | -        | -        | -        | -    | 3   | -               | -                         |
| 15-123  | A    | 2'-8 1/2" X 7'-0" | -    | EXIST     | -      | HM    | EXIST    | -      | WD, SC | 0    | -        | -        | -        | -    | 3   | -               | -                         |
| 15-124  | A    | 2'-8 1/2" X 7'-0" | -    | EXIST     | -      | HM    | EXIST    | -      | WD, SC | 0    | -        | -        | -        | -    | 3   | -               | -                         |
| 15-125  | A    | 2'-8 1/2" X 7'-0" | -    | EXIST     | -      | HM    | EXIST    | -      | WD, SC | 0    | -        | -        | -        | -    | 3   | -               | -                         |
| 15-126  | A    | 2'-8 1/2" X 7'-0" | -    | EXIST     | -      | HM    | EXIST    | -      | WD, SC | 0    | -        | -        | -        | -    | 3   | -               | -                         |
| 15-127  | A    | 2'-8 1/2" X 7'-0" | -    | EXIST     | -      | HM    | EXIST    | -      | WD, SC | 0    | -        | -        | -        | -    | 3   | -               | -                         |
| 15-128  | A    | 2'-8 1/2" X 7'-0" | -    | EXIST     | -      | HM    | EXIST    | -      | WD, SC | 0    | -        | -        | -        | -    | 3   | -               | -                         |
| 15-129  | A    | 2'-8 1/2" X 7'-0" | -    | EXIST     | -      | HM    | EXIST    | -      | WD, SC | 0    | -        | -        | -        | -    | 3   | -               | -                         |
| 15-130  | A    | 2'-8 1/2" X 7'-0" | -    | EXIST     | -      | HM    | EXIST    | -      | WD, SC | 0    | -        | -        | -        | -    | 3   | -               | -                         |
| 15-131  | A    | 2'-8 1/2" X 7'-0" | -    | EXIST     | -      | HM    | EXIST    | -      | WD, SC | 0    | -        | -        | -        | -    | 3   | -               | -                         |
| 15-132  | A    | 2'-8 1/2" X 7'-0" | -    | EXIST     | -      | HM    | EXIST    | -      | WD, SC | 0    | -        | -        | -        | -    | 3   | -               | -                         |
| 15-133  | A    | 2'-8 1/2" X 7'-0" | -    | EXIST     | -      | HM    | EXIST    | -      | WD, SC | 0    | -        | -        | -        | -    | 3   | -               | -                         |
| 15-134  | A    | 2'-8 1/2" X 7'-0" | -    | EXIST     | -      | HM    | EXIST    | -      | WD, SC | 0    | -        | -        | -        | -    | 3   | -               | -                         |
| 15-135  | A    | 2'-8 1/2" X 7'-0" | -    | EXIST     | -      | HM    | EXIST    | -      | WD, SC | 0    | -        | -        | -        | -    | 3   | -               | -                         |
| 15-140  | A    | 2'-8 1/2" X 7'-0" | -    | EXIST     | -      | HM    | EXIST    | -      | WD, SC | 0    | -        | -        | -        | -    | 3   | -               | -                         |
| 15-142  | A    | 2'-8 1/2" X 7'-0" | -    | EXIST     | -      | HM    | EXIST    | -      | WD, SC | 0    | -        | -        | -        | -    | 3   | -               | -                         |
| 15-144  | A    | 2'-8 1/2" X 7'-0" | -    | EXIST     | -      | HM    | EXIST    | -      | WD, SC | 0    | -        | -        | -        | -    | 3   | -               | -                         |
| 15-146  | A    | 2'-8 1/2" X 7'-0" | -    | EXIST     | -      | HM    | EXIST    | -      | WD, SC | 0    | -        | -        | -        | -    | 3   | -               | -                         |
| 15-148  | A    | 2'-8 1/2" X 7'-0" | -    | EXIST     | -      | HM    | EXIST    | -      | WD, SC | 0    | -        | -        | -        | -    | 3   | -               | -                         |
| 15-150  | A    | 2'-8 1/2" X 7'-0" | -    | EXIST     | -      | HM    | EXIST    | -      | WD, SC | 0    | -        | -        | -        | -    | 3   | -               | -                         |
| 15-152  | A    | 2'-8 1/2" X 7'-0" | -    | EXIST     | -      | HM    | EXIST    | -      | WD, SC | 0    | -        | -        | -        | -    | 3   | -               | -                         |
| 15-154  | A    | 2'-8 1/2" X 7'-0" | -    | EXIST     | -      | HM    | EXIST    | -      | WD, SC | 0    | -        | -        | -        | -    | 3   | -               | -                         |
| 15-155  | A    | 3'-0" X 7'-0"     | B    | NEW       | CLR    | HM    | NEW      | PTD    | WD, SC | 0    | 7/A8.03  | 7/A8.03  | 1/A8.03  | -    | 6   | -               | -                         |
| 15-155  | B    | 2'-8 1/2" X 7'-0" | -    | EXIST     | -      | HM    | EXIST    | -      | WD, SC | 0    | -        | -        | -        | -    | 3   | -               | -                         |
| 15-155A | A    | 2'-8 1/2" X 7'-0" | -    | EXIST     | -      | HM    | EXIST    | -      | WD, SC | 0    | -        | -        | -        | -    | 5   | -               | -                         |
| 15-156  | A    | 2'-8 1/2" X 7'-0" | -    | EXIST     | -      | HM    | EXIST    | -      | WD, SC | 0    | -        | -        | -        | -    | 3   | -               | -                         |
| 15-158  | A    | 2'-8 1/2" X 7'-0" | -    | EXIST     | -      | HM    | EXIST    | -      | WD, SC | 0    | -        | -        | -        | -    | 3   | -               | -                         |
| 15-161  | A    | 2'-8 1/2" X 7'-0" | -    | EXIST     | -      | HM    | EXIST    | -      | WD, SC | 0    | -        | -        | -        | -    | 3   | -               | -                         |
| 15-162  | A    | 3'-0" X 7'-0"     | A    | NEW       | CLR    | HM    | NEW      | PTD    | WD, SC | 0    | 7/A8.03  | 7/A8.03  | 14/A8.03 | -    | 7   | -               | -                         |
| 15-162  | B    | 3'-0" X 9'-0"     | E    | NEW       | ANOD   | ALUM  | -        | -      | -      | -    | -        | -        | -        | -    | -   | -               | FIXED ALUM STOREFRONT WDW |
| 15-163  | A    | 2'-8 1/2" X 7'-0" | -    | EXIST     | -      | HM    | EXIST    | -      | WD, SC | 0    | -        | -        | -        | -    | 3   | -               | -                         |
| 15-164  | A    | 3'-0" X 7'-0"     | A    | NEW       | CLR    | HM    | NEW      | PTD    | WD, SC | 0    | 7/A8.03  | 7/A8.03  | 14/A8.03 | -    | 7   | -               | -                         |
| 15-164  | B    | 3'-0" X 9'-0"     | E    | NEW       | ANOD   | ALUM  | -        | -      | -      | -    | -        | -        | -        | -    | -   | -               | FIXED ALUM STOREFRONT WDW |
| 15-165  | A    | 2'-8 1/2" X 7'-0" | -    | EXIST     | -      | HM    | EXIST    | -      | WD, SC | 0    | -        | -        | -        | -    | 3   | -               | -                         |
| 15-166  | A    | 3'-0" X 7'-0"     | B    | NEW       | CLR    | HM    | NEW      | PTD    | WD, SC | 0    | 7/A8.03  | 7/A8.03  | 1/A8.03  | -    | 8   | A               | -                         |
| 15-166  | B    | 3'-0" X 7'-0"     | A    | NEW       | CLR    | HM    | NEW      | PTD    | WD, SC | 0    | 7/A8.03  | 7/A8.03  | 1/A8.03  | -    | 8A  | -               | -                         |
| 15-167  | A    | 2'-8 1/2" X 7'-0" | -    | EXIST     | -      | HM    | EXIST    | -      | WD, SC | 0    | -        | -        | -        | -    | 3   | -               | -                         |
| 15-168  | A    | 3'-0" X 7'-0"     | C    | NEW       | CLR    | HM    | NEW      | PTD    | WD, SC | 0    | 7/A8.03  | 7/A8.03  | 1/A8.03  | -    | 8   | Ak              | -                         |
| 15-168  | B    | 3'-0" X 7'-0"     | A    | NEW       | CLR    | HM    | NEW      | PTD    | WD, SC | 0    | 7/A8.03  | 7/A8.03  | 1/A8.03  | -    | 8A  | H               | -                         |
| 15-169  | A    | 2'-8 1/2" X 7'-0" | -    | EXIST     | -      | HM    | EXIST    | -      | WD, SC | 0    | -        | -        | -        | -    | 3   | -               | -                         |
| 15-171  | A    | 2'-8 1/2" X 7'-0" | -    | EXIST     | -      | HM    | EXIST    | -      | WD, SC | 0    | -        | -        | -        | -    | 3   | -               | -                         |
| 15-172  | A    | 2'-8 1/2" X 7'-0" | -    | EXIST     | -      | HM    | EXIST    | -      | WD, SC | 0    | -        | -        | -        | -    | 3   | -               | -                         |
| 15-173  | A    | 2'-8 1/2" X 7'-0" | -    | EXIST     | -      | HM    | EXIST    | -      | WD, SC | 0    | -        | -        | -        | -    | 3   | -               | -                         |
| 15-174  | A    | 2'-8 1/2" X 7'-0" | -    | EXIST     | -      | HM    | EXIST    | -      | WD, SC | 0    | -        | -        | -        | -    | 5   | -               | -                         |
| 15-175  | A    | 2'-8 1/2" X 7'-0" | -    | EXIST     | -      | HM    | EXIST    | -      | WD, SC | 0    | -        | -        | -        | -    | 3   | -               | -                         |

ACAMS TYPOLOGY CHART

| Door Type       | Description   | How it Works   |
|-----------------|---|--|
| A               | Card Reader Door with Standard Proximity Reader (no keypad)     | Can be programmed to unlock/lock on a schedule. When not scheduled unlocked, a card or fob must be presented to unlock the door. |
| A <sub>k</sub>  | Same as A, but with Keypad Reader                               | Same as A, but allows for command controls using the keypad reader.  |
| B               | Scheduled Unlock Door   | Automatically locks or unlocks on a schedule that has been programmed into the ACAMS.  |
| C               | Monitored Door with Authorized Exiting                          | Allows for egress without an alarm   |
| D               | ADA Card Reader Door with Standard Proximity Reader (no keypad) | Uses a card reader, like "A", but in conjunction with an automatic door operator.  |
| D <sub>k</sub>  | Same as D, but with Keypad Reader                               | Same as D, but allows for command controls using the keypad reader.  |
| E               | Emergency Exit Door with Local Alarm                            | Monitored like "C", exiting through this door will set off an audible alarm near the door as well as at the ACAMS.               |
| F               | In/Out Standard Proximity Reader with Door Management Alarm     | A card or fob must be presented to use this door to exit or enter, otherwise an audible alarm near the door will sound.          |
| F <sub>k</sub>  | Same as F, but with Keypad Reader                               | Same as F, but allows for command controls using the keypad reader.  |
| G               | ADA In/Out Proximity Reader                                     | A combination of door types "D" and "F".   |
| G <sub>k</sub>  | Same as G, but with Keypad Reader                               | Same as G, but allows for command controls using the keypad reader.  |
| H               | Monitored Only  | Monitored by the ACAMS to determine door position (open or closed).  |
| I               | Proximity Reader Coiling Door                                   | Card reader + keyed control switch.  |
| I <sub>k</sub>  | Same as I, but with Keypad Reader                               | Same as I, but with command controls using keypad reader.  |
| K               | Key Controlled Monitoring                                       | A physical key is used to enable or disable monitoring of a space.   |
| K <sub>la</sub> | Same as K, but with a local alarm                               | Same as K, but with a local audible alarm.   |
| L               | Proximity Reader Sliding Storefront                             | Card reader outside to enter, momentary key switch inside to exit, magnetic lock on the first sliding panel.                     |
| L <sub>k</sub>  | Same as L, but with Keypad Reader                               | Same as L, but with command controls using keypad reader.  |

DOOR AND WINDOW TYPES

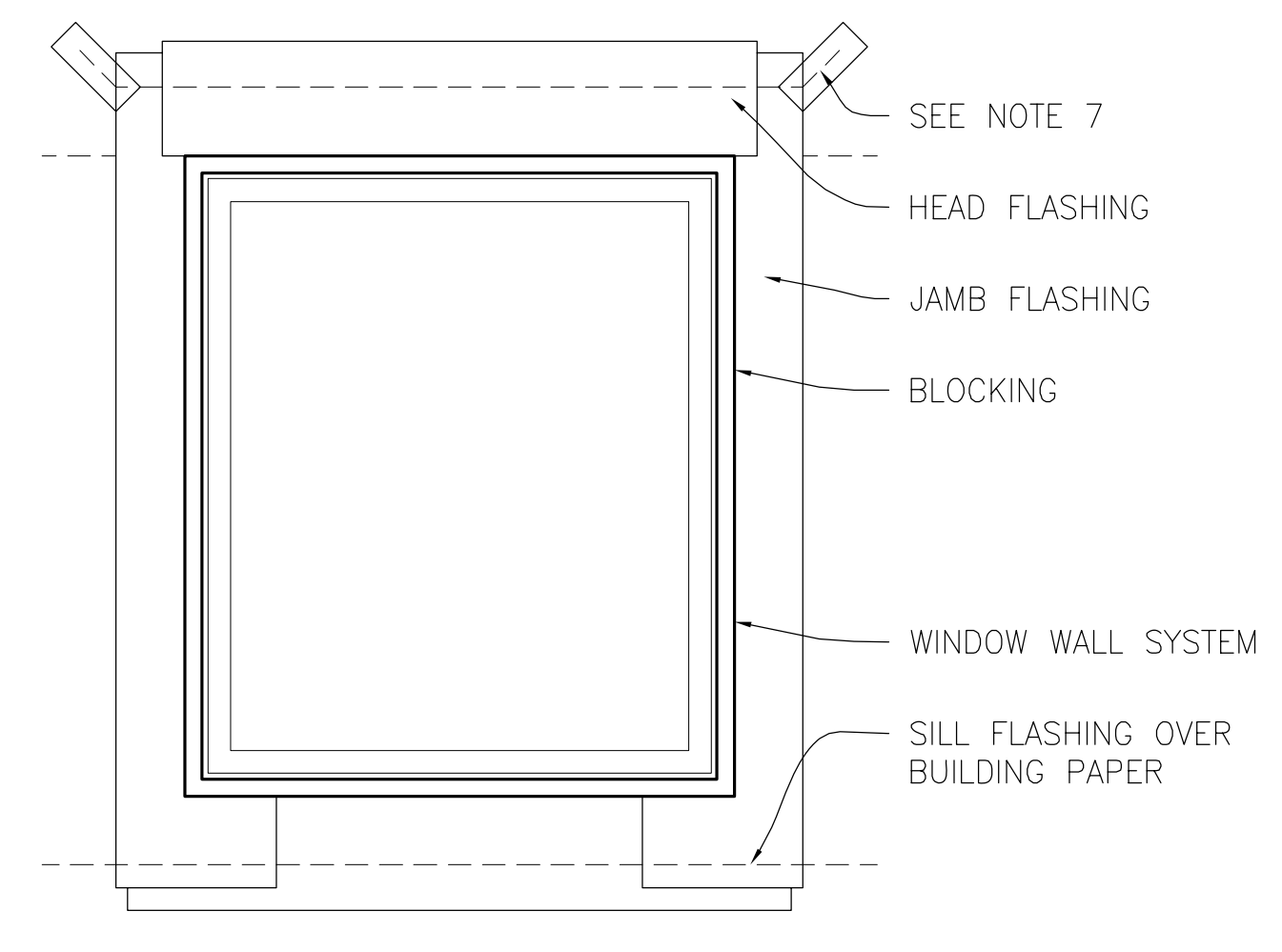


DOOR NOTES

- REFER TO SPECIFICATION FOR HARDWARE GROUPS
- DOORS: 1 3/4" THICK U.O.N.
- SEE A8.03 FOR DOOR PREPARATION FOR ACCESS CONTROL & ALARM MONITORING SYSTEM AT EXISTING WOOD DOORS TO REMAIN
- SEE A8.03 FOR DOOR PREPARATION FOR ACCESS CONTROL & ALARM MONITORING SYSTEM AT NEW DOORS
- SEE A8.04 FOR DOOR SIGNS AND LOCATIONS
- WHERE SPECIFIED, (N) DOOR HOOKS SHOULD BE INSTALLED AT THE INSIDE FACE OF DOOR, 48" MAX. AFF. (N) DOOR HOOKS TO MATCH (E).
- FOR BIDDING PURPOSES, ASSUME ALL (E) DOORS ARE WOOD.
- FIELD VERIFY EXISTING DOOR DIMENSIONS.

WINDOW NOTES

- ALL EXTERIOR WINDOWS TO RECEIVE SHADES, ALL INTERIOR WINDOWS, DOOR LITES & SIDELITES TO RECEIVE BLINDS
- WHERE (N) WINDOWS ARE INSTALLED IN (E) OPENINGS, VIF ALL DIMENSIONS

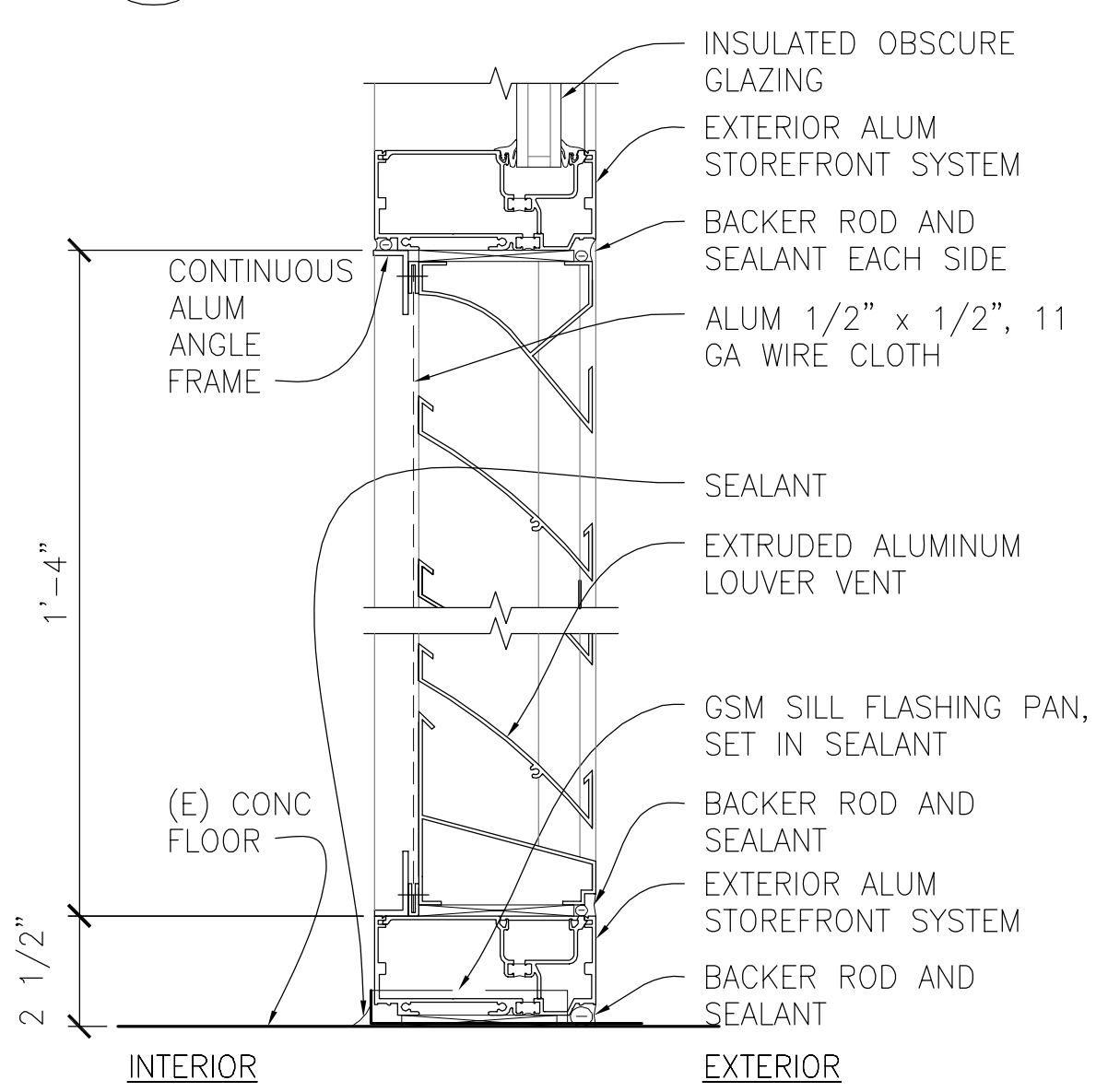


WINDOW FLASHING NOTES:

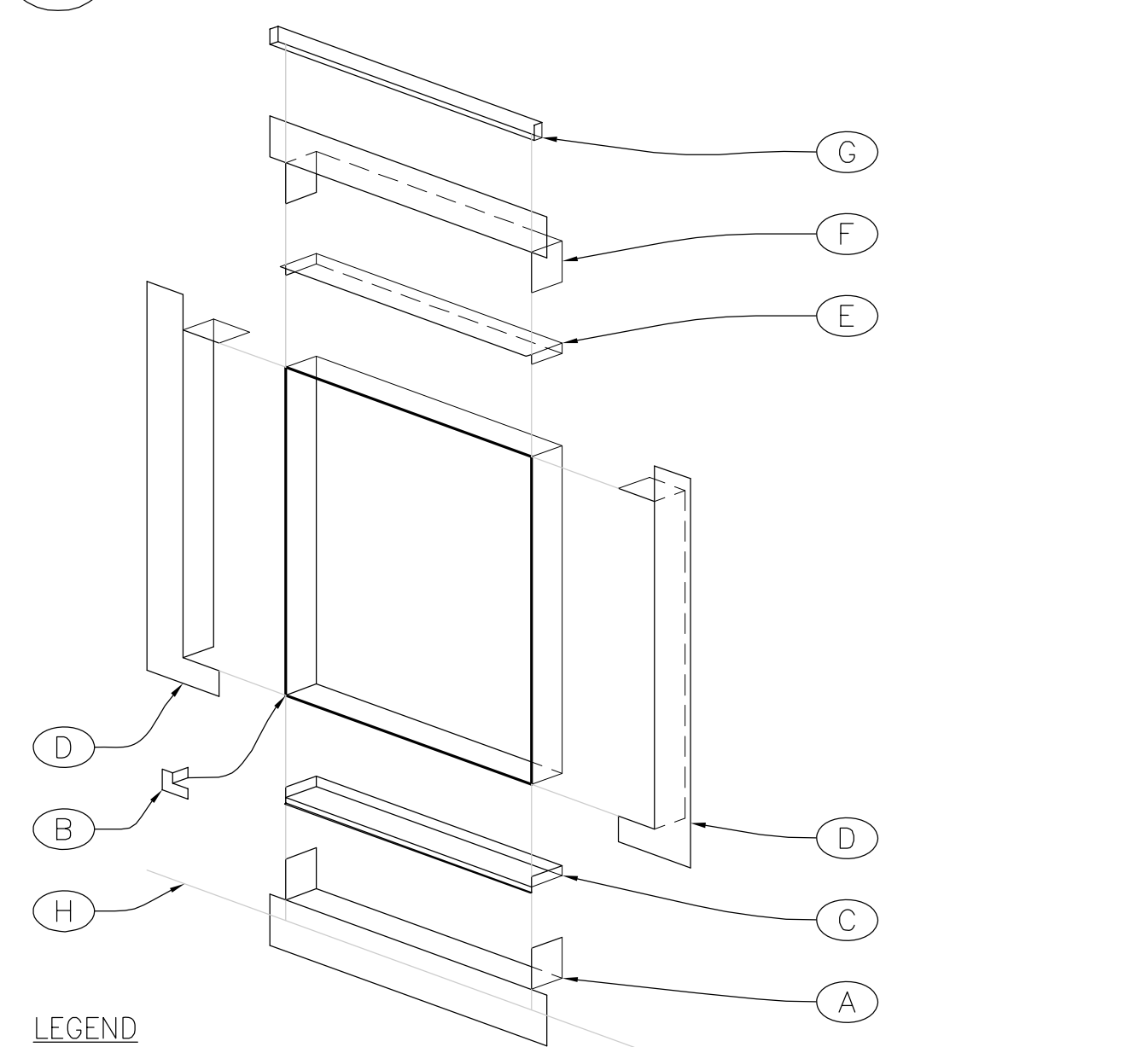
- FLEXIBLE MEMBRANE FLASHING SHALL BE INSTALLED AS PER MANUFACTURER'S RECOMMENDATIONS, INCLUDING OVERLAP DIMENSIONS, CORNER PATCHING, SUITABILITY OF SUBSTRATE AND MECHANICAL ROLLING FOR ADHESION.
- PRIMING OF SHEET METAL AND SUBSTRATE MAY BE REQUIRED FOR PROPER ADHESION. CONSULT MANUFACTURER REPRESENTATIVE.
- SEALANT JOINT SPACES ARE TO BE WIDE ENOUGH TO ACCOMMODATE MULTIPLE FLASHING LAYERS AT CORNER CONDITIONS.
- SEALANTS IN CONTACT WITH FLEXIBLE MEMBRANE ARE TO BE TESTED FOR COMPATIBILITY.
- FASTENERS USED FOR ATTACHMENT OF METAL METAL TRIM, WINDOW AND METAL FLASHING ARE TO BE APPROVED AS SELF-SEALING IN THE FLEXIBLE MEMBRANE.
- CORNER LAPS OF SHEET METAL FLASHING ARE TO BE LAPPED AND SOLDERED OR SEALED AND MECHANICALLY FASTENED
- TUCK FLEXIBLE MEMBRANE HEAD FLASHING UNDER BLDG. PAPER, ADHERE TO SUBSTRATE AND PATCH INSERTIONS SLITS WITH FLEXIBLE MEMBRANE PATCHING STRIPS

1 TYPICAL WINDOW FLASHING NOTES

4 STOREFRONT WINDOW HEAD



5 STOREFRONT WINDOW SILL



LEGEND

- SILL FLASHING. FLEXIBLE MEMBRANE LAPPED UP JAMBS, OVER BUILDING PAPER AND UP JAMB FLASHING
- CORNER PATCH. FLEXIBLE MEMBRANE CORNER PATCH AS RECOMMENDED BY MANUFACTURER
- SILL PAN. SHEET METAL PAN WITH LAPPED AND SEALED END DAMS. STRIP IN WITH FLEXIBLE MEMBRANE. TURN ANGLED METAL LAPS UP AT CEM PLAS WALLS, AND DOWN AT CONC WALLS
- JAMB FLASHING. FLEXIBLE MEMBRANE LAPPED AT HEAD AND SILL
- HEAD FLASHING. SHEET METAL FLASHING WITH LAPPED AND SEALED END DAMS. STRIP IN WITH FLEXIBLE MEMBRANE
- HEAD FLASHING. FLEXIBLE MEMBRANE LAPPED AT JAMBS TUCKED BEHIND BUILDING PAPER
- DRIP SCREED WITH END CLOSURE. STRIP IN WITH FLEXIBLE MEMBRANE
- LINE OF UNDERLAYMENT, FLEXIBLE MEMBRANE LAPPED OVER BUILDING PAPER

3 TYPICAL FLASHING ASSEMBLY EXPLODED ISOMETRIC VIEW

ARCHITECT OF RECORD

**noll tam**  
architects and planners

729 Heinz Avenue  
Berkeley, CA 94710  
510.649.8295  
fax 510.649.3008

IDENTIFICATION STAMP  
DIVISION OF THE STATE ARCHITECT

APPLICATION NUMBER 01 XXXXX  
AC \_\_\_\_\_ FLS \_\_\_\_\_ SS \_\_\_\_\_  
DATE \_\_\_\_\_

LICENSED ARCHITECT

Christopher Noll  
REN. 12/31/09  
NO. C15916

DSA SUBMITTAL

**COLLEGE OF SAN MATEO**  
BUILDING 15  
MODERNIZATION

SMCCCD  
3401 CSM Drive  
San Mateo, CA 94402  
College of San Mateo  
1700 W. Hillsdale Blvd.  
San Mateo, CA 94402

SHEET TITLE

**BUILDING 15 - DOOR AND WINDOW SCHEDULE AND DETAILS**

| REVISIONS |      |             |
|-----------|------|-------------|
| NO.       | DATE | DESCRIPTION |
|           |      |             |
|           |      |             |
|           |      |             |
|           |      |             |

|              |               |
|--------------|---------------|
| DATE         | MARCH 9, 2009 |
| DRAWN        | TC            |
| CHECKED      | MM            |
| SCALE        | AS NOTED      |
| N&T JOB NO.: | 2901          |
| SHEET NUMBER |               |

**A8.12**