

# SAN MATEO COUNTY COMUNITY COLLEGE

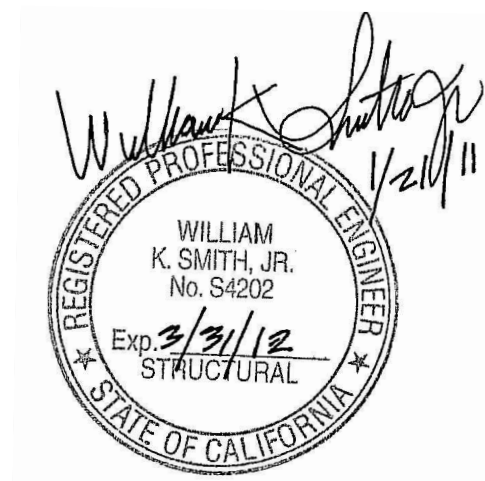
**BUILDING 5N**  
**1700 WEST HILLSDALE BOULEVARD**  
**SAN MATEO, CA. 94402**

## ARCHITECT

KWAN HENMI ARCHITECTURE/PLANING, INC.  
456 MONTGOMERY ST. SUITE 300  
SAN FRANCISCO, CA. 94104  
PH. 415 777.4770

## GENERAL CONTRACTOR

McCARTHY BUILDING COMPANIES, INC.  
1548 EUREKA ROAD, SUITE 101  
ROSEVILLE, CA. 95661  
PH. 916 772.4300



NO.	DATE	REVISION DESCRIPTION
2	10-15-10	AS BUILT
1	03-26-10	FOR RECORD

COLLEGE OF SAN MATEO  
BUILDING 5N  
1700 WEST HILLSDALE BOULEVARD  
SAN MATEO, CA. 94402

C/S ERECTORS INC. REGISTERED ARCHITECTURAL PLANS SYSTEM  
License No. 070000  
2500 OLD CROFT CANYON RD. SUITE. 320  
ROSEVILLE, CA. 95661  
TEL: (925) 820-8113 FAX: (925) 820-8987

DATE: 05/30/08  
SCALE: N/A  
DRAWN BY: CDC  
JOB # D01065  
SHEET #  
**COVER**  
OF -- SHEETS

# SAN MATEO COUNTY COMUNITY COLLEGE

## BUILDING 5N

1700 WEST HILLSDALE BOULEVARD  
SAN MATEO, CA. 94402

### ARCHITECT

KWAN HENMI ARCHITECTURE/PLANING, INC.  
SAN FRANCISCO, CA. 94104

### GENERAL CONTRACTOR

McCARTHY BUILDING COMPANIES, INC.  
ROSEVILLE, CA. 95661

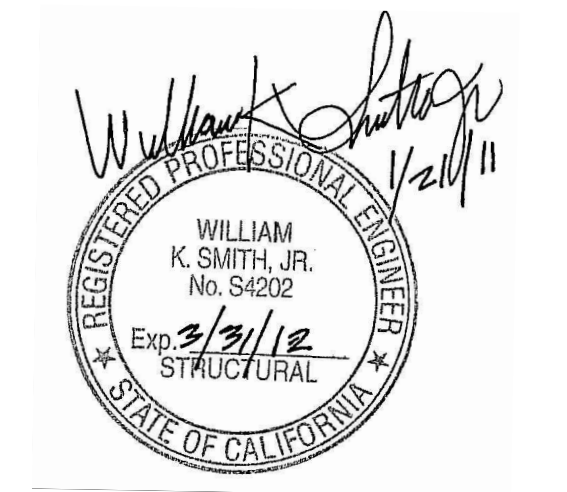
SHOP DRAWING PACKAGE INDEX			
SHEET NO.	DESCRIPTION	ISSUE DATE	REV. DATE
C1	COVER SHEET	05/30/08	10/15/10
C2	GENERAL NOTES	05/30/08	10/15/10
INDEX	SHOP DRAWING INDEX	05/30/08	10/15/10
101	LEVEL 1 KEY PLAN	05/30/08	10/15/10
102	LEVEL 2 KEY PLAN	03/18/09	10/15/10
103	LEVEL 3 KEY PLAN	03/18/09	10/15/10
104	ROOF KEY PLAN	03/18/09	10/15/10
105	LEVEL 1 REFLECTED CEILING PLAN	03/18/09	10/15/10
106	LEVEL 2 REFLECTED CEILING PLAN	03/18/09	10/15/10
107	LEVEL 3 REFLECTED CEILING PLAN	03/18/09	10/15/10
108	REFLECTED CEILING PLAN	03/18/09	10/15/10
201	SOUTH / EAST ELEVATION	05/30/08	10/15/10
202	NORTH / NORTHEAST ELEVATION	05/30/08	10/15/10
203	NORTHWEST / SOUTHWEST ELEVATION	05/30/08	10/15/10
204	SOUTHEAST ELEVATION	05/30/08	10/15/10
205	SOUTH PARTIAL ELEVATION	05/30/08	10/15/10
206	SOUTH PARTIAL ELEVATION	05/30/08	10/15/10
207	SOUTH PARTIAL ELEVATION	05/30/08	10/15/10
208	SOUTH PARTIAL ELEVATION	05/30/08	10/15/10
209	EAST PARTIAL ELEVATION	05/30/08	10/15/10
210	EAST PARTIAL ELEVATION	05/30/08	10/15/10
211	NORTH PARTIAL ELEVATION	05/30/08	10/15/10
212	NORTH PARTIAL ELEVATION	05/30/08	10/15/10
213	NORTH PARTIAL ELEVATION	05/30/08	10/15/10
214	NORTH PARTIAL ELEVATION	05/30/08	10/15/10
215	NORTH PARTIAL ELEVATION	05/30/08	10/15/10
216	NORTH PARTIAL ELEVATION	05/30/08	10/15/10
217	NORTHEAST PARTIAL ELEVATION	05/30/08	10/15/10
218	NORTHEAST PARTIAL ELEVATION	05/30/08	10/15/10
219	NORTHEAST PARTIAL ELEVATION	05/30/08	10/15/10
220	NORTHEAST PARTIAL ELEVATION	05/30/08	10/15/10
221	NORTHEAST PARTIAL ELEVATION	05/30/08	10/15/10
222	NORTHEAST PARTIAL ELEVATION	05/30/08	10/15/10
223	NORTHEAST PARTIAL ELEVATION	05/30/08	10/15/10
224	NORTHWEST PARTIAL ELEVATION	05/30/08	10/15/10
225	NORTHWEST PARTIAL ELEVATION	05/30/08	10/15/10
226	NORTHWEST PARTIAL ELEVATION	05/30/08	10/15/10
227	NORTHWEST PARTIAL ELEVATION	05/30/08	10/15/10
228	NORTHWEST PARTIAL ELEVATION	05/30/08	10/15/10
229	NORTHWEST PARTIAL ELEVATION	05/30/08	10/15/10
230	NORTHWEST PARTIAL ELEVATION	05/30/08	10/15/10
231	SOUTHWEST PARTIAL ELEVATION	05/30/08	10/15/10
232	SOUTHWEST PARTIAL ELEVATION	05/30/08	10/15/10
233	SOUTHWEST PARTIAL ELEVATION	05/30/08	10/15/10
234	SOUTHWEST PARTIAL ELEVATION	05/30/08	10/15/10
235	SOUTHWEST PARTIAL ELEVATION	05/30/08	10/15/10

SHOP DRAWING PACKAGE INDEX			
SHEET NO.	DESCRIPTION	ISSUE DATE	REV. DATE
236	SOUTHWEST PARTIAL ELEVATION	05/30/08	10/15/10
237	SOUTHWEST PARTIAL ELEVATION	05/30/08	10/15/10
238	SOUTHWEST PARTIAL ELEVATION	05/30/08	10/15/10
239	SOUTHWEST PARTIAL ELEVATION	05/30/08	10/15/10
240	SOUTHWEST PARTIAL ELEVATION	05/30/08	10/15/10
241	SOUTHWEST PARTIAL ELEVATION	05/30/08	10/15/10
242	SOUTHWEST PARTIAL ELEVATION	05/30/08	10/15/10
243	SOUTHWEST PARTIAL ELEVATION	05/30/08	10/15/10
244	SOUTHWEST PARTIAL ELEVATION	05/30/08	10/15/10
245	SOUTHWEST PARTIAL ELEVATION	05/30/08	10/15/10
246	SOUTHWEST PARTIAL ELEVATION	05/30/08	10/15/10
247	SOUTHWEST PARTIAL ELEVATION	05/30/08	10/15/10
AC9.01A	PLASTER WALL SYSTEM DETAILS	05/30/08	10/15/10
AC9.01B	PLASTER WALL SYSTEM DETAILS	05/30/08	10/15/10
AC9.01C	PLASTER WALL SYSTEM DETAILS	05/30/08	10/15/10
AC9.01D	PLASTER WALL SYSTEM DETAILS	05/30/08	10/15/10
AC9.01E	PLASTER WALL SYSTEM DETAILS	05/30/08	10/15/10
AC9.02A	PLASTER WALL SYSTEM DETAILS	05/30/08	10/15/10
AC9.02B	PLASTER WALL SYSTEM DETAILS	05/30/08	10/15/10
AC9.02C	PLASTER WALL SYSTEM DETAILS	05/30/08	10/15/10
AC9.02D	PLASTER WALL SYSTEM DETAILS	05/30/08	10/15/10
AC9.02E	PLASTER WALL SYSTEM DETAILS	05/30/08	10/15/10
AC9.02F	PLASTER WALL SYSTEM DETAILS	05/30/08	10/15/10
AC9.02G	PLASTER WALL SYSTEM DETAILS	05/30/08	10/15/10
AC9.02H	PLASTER WALL SYSTEM DETAILS	05/30/08	10/15/10
AC9.02I	PLASTER WALL SYSTEM DETAILS	05/30/08	10/15/10
AC9.02K	PLASTER WALL SYSTEM DETAILS	05/30/08	10/15/10
AC9.02L	PLASTER WALL SYSTEM DETAILS	05/30/08	10/15/10
AC9.02M	PLASTER WALL SYSTEM DETAILS	05/30/08	10/15/10
AC9.31A	GLAZING WALL SYSTEM DETAILS	05/30/08	10/15/10
AC9.31B	GLAZING WALL SYSTEM DETAILS	05/30/08	10/15/10
AC9.31C	GLAZING WALL SYSTEM DETAILS	05/30/08	10/15/10
AC9.31D	GLAZING WALL SYSTEM DETAILS	05/30/08	10/15/10
AC9.31E	GLAZING WALL SYSTEM DETAILS	05/30/08	10/15/10
AC9.31F	GLAZING WALL SYSTEM DETAILS	05/30/08	10/15/10
AC9.31G	GLAZING WALL SYSTEM DETAILS	05/30/08	10/15/10
AC9.31H	GLAZING WALL SYSTEM DETAILS	05/30/08	10/15/10
AC9.31J	GLAZING WALL SYSTEM DETAILS	05/30/08	10/15/10
AC9.31K	GLAZING WALL SYSTEM DETAILS	05/30/08	10/15/10
AC9.31L	GLAZING WALL SYSTEM DETAILS	03/18/09	10/15/10
AC9.31M	GLAZING WALL SYSTEM DETAILS	03/18/09	10/15/10
AC9.31N	GLAZING WALL SYSTEM DETAILS	05/18/09	10/15/10
AC9.32A	GLAZING WALL SYSTEM DETAILS	05/30/08	10/15/10
AC9.32B	GLAZING WALL SYSTEM DETAILS	05/30/08	10/15/10
AC9.32C	GLAZING WALL SYSTEM DETAILS	05/30/08	10/15/10
AC9.32D	GLAZING WALL SYSTEM DETAILS	05/30/08	10/15/10
AC9.32E	GLAZING WALL SYSTEM DETAILS	05/30/08	10/15/10
AC9.32F	GLAZING WALL SYSTEM DETAILS	05/30/08	10/15/10
AC9.32G	GLAZING WALL SYSTEM DETAILS	03/18/09	10/15/10

NO.	DATE	REVISION DESCRIPTION
5	10-15-10	AS BUILT
4	03-26-10	FOR RECORD
3	05-18-09	FOR CONSTRUCTION
2	03-18-09	SGH, ARCH, C/S REV.
1	10-09-08	PER DSA COMMENTS

COLLEGE OF SAN MATEO  
BUILDING 5N  
1700 WEST HILLSDALE BOULEVARD  
SAN MATEO, CA. 94402

C/S ERECTORS, INC. REGISTERED ARCHITECTURAL FIRM 50700  
License No. 070000  
2500 OLD CROFT CANYON RD., SUITE. 320  
SAN MATEO, CA 94403  
TEL: (925) 820-8113 FAX: (925) 820-0987



DATE: 05/30/08  
SCALE: N/A  
DRAWN BY: CDC  
JOB #: D01065  
SHEET #  
INDEX  
OF -- SHEETS

## GENERAL NOTES

### 1. WALL SYSTEM DESCRIPTION:

A. THE STOREFRONT FRAMING WILL BE FIELD ASSEMBLED. THE GASKETS, JOINERY SEALS, TRIM AND PERIMETER SEALANTS ARE ALL INSTALLED SEQUENTIALLY IN-PLACE ON THE BUILDING.

-US ALUMINUM OS601 - FINISH TBD

-US ALUMINUM OS451 - FINISH TBD

### B. GLASS FACADE PANEL SYSTEM

-C/S ERECTORS "CSP" ARCHITECTURAL GLASS PANELS

### C. FINISH - ALL EXPOSED ALUMINUM TO BE CLEAR ANODIZED CLASS 1

### 2. ALUMINUM EXTRUSIONS:

#### A. ALLOYS TO BE AS FOLLOWS:

-6063-T5.....TRIM AND NON-CRITICAL STRUCTURAL ELEMENTS

-6063-T6.....VERTICAL MULLIONS & MAIN FRAMING ELEMENTS, SPLICES AND ANCHOR CLIPS

B. SEE "EXTRUSION CATALOG" SHEETS FOR SPECIFIC DIES AND ALLOY COLLECTION

### 3. FINISH:

A. EXPOSED EXTRUSIONS: (SEE SYSTEM DESCRIPTION)

B. NON-EXPOSED EXTRUSIONS, NOT IN CONTACT WITH SILICONE: MILL

C. NON-EXPOSED EXTRUSIONS, IN CONTACT WITH SILICONE: ALODINE.

### 4. GLASS:

A. 2A & 2B: 1" INSULATED VISION INDOOR LITE CLASS 1 (CLEAR) FLOAT GLASS OUTDOOR LITE CLASS 1 (TINTED) FLOAT GLASS WITH LOW-E COATING ON SURFACE #2

B. 2D: 1" INSULATED SPANDREL INDOOR LITE CERAMIC COATED, STANDARD COLOR CERAMIC FRIT ON SURFACE #4 OUTDOOR LITE CLASS 2 (TINTED) FLOAT GLASS

### 5. METAL PANEL:

A. 1/8" MONOLITHIC ALUMINUM - 3003-H14

B. FINISH TO BE DETERMINED

### 6. SEALANTS:

-SHOP APPLIED FRAME ASSEMBLY SEALANT .....DOW 795 BLACK  
 -STRUCTURAL GLAZING SEALANT .....DOW 795 BLACK  
 -FIELD APPLIED FRAME ASSEMBLY SEALANT .....DOW 795 BLACK  
 -SPLICES .....DOW 795 GREY  
 -EXTERIOR WEATHER SEAL .....DOW 795 GREY

A. ADHESION TO SUBSTRATES AND PRIMER RECOMMENDATIONS TO BE DETERMINED BY DOW CORNING TESTING

B. SURFACE PREPARATION METHOD & CLEANER TO BE PER DOW CORNING RECOMMENDATIONS.

C. BOND BREAKER TAPE TO BE USED TO PREVENT THREE SIDED ADHESION OF SEALANTS.

D. BACKER ROD SHALL BE SOF ROD.

### 7. GASKETS:

A. SPONGE TO BE BLACK CLOSED CELL EPDM SPONGE GASKET HARDNESS TO BE 40 +/- 5 DUROMETER, SHORE A.  $\Delta$

B. WEDGE TO BE DENSE BLACK SILICONE COMPATIBLE EPDM HARDNESS TO BE 70 +/- 5 DUROMETER, SHORE A.

C. SETTING BLOCK TO BE BLACK EPDM. HARDNESS TO BE 85 +/- 5 DUROMETER, SHORE A.

### 8. FASTENERS:

A. ALL FASTENERS EXPOSED TO WETTING SHALL BE 300 SERIES STAINLESS STEEL WITH ULTIMATE TENSILE STRESS OF 75ksi

B. FASTENERS NOT EXPOSED TO WETTING SHALL BE GRADE-5 STEEL WITH CADMIUM AND COLORED CHROMATE PLATING

C. ALL SELF DRILLING FASTENERS SHALL BE ELCO DRIL-FLEX WITH STALGARD FINISH.

## DESIGN CRITERIA

$\Delta$  2007 CALIFORNIA BUILDING CODE / 2006 INTERNATIONAL BUILDING CODE ASCE 7-05

### A) WIND LOAD PER - IBC 2006 $\Delta$

-TYPICAL +24 PSF/-24PSF  
 -CORNER ZONE ( $\alpha=7.5ft$ ) +23PSF/-30PSF  $\Delta$

### B) DEAD LOAD

-GLASS (PER 1/4" OF GLASS) 3.25 PSF  
 -MISC. ALUMINUM 2 PSF

### C) SEISMIC LOAD - PER ASCE 7-05

-BODY OF CONNECTIONS E=0.47Wp  
 -BOLTS AND WELDS AT CONX. E=1.48Wp  $\Delta$

### D) THERMAL ACCOMODATIONS

EXTERNAL TEMPERATURE RANGE OF 120°F AMBIENT 180°F MATERIAL SURFACE.

### E) ALLOWABLE DEFLECTION

FRAMING MEMBERS SUPPORTING GLASS OR PANELS  
 -FOR SPANS  $\leq 13'-6"$  L/175  
 -FOR SPANS  $> 13'-6"$  L/240+1/4"  
 -CANTILVERS 2L/175  
 -JAMB CONDITIONS SAME AS ABOVE BUT  $\leq 50\%$  OF JOINT WIDTH  
 -GLASS PANELS L/5  $< 1"$  (L=SHORTER PANEL DIMENSION)

### F) DEFLECTIONS (IN PLANE)

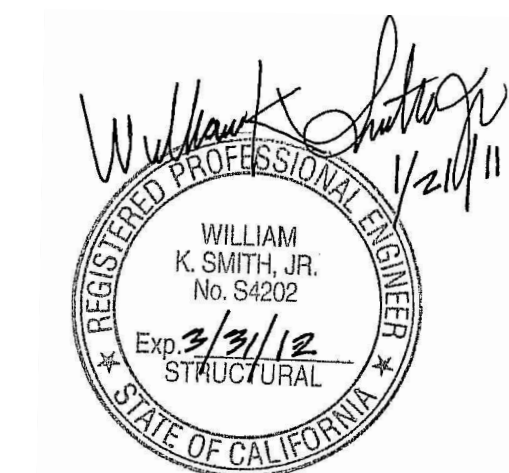
1/8" VERTICAL  
 SHALL NOT REDUCE GLASS BITE OR PANEL BITE BELOW 75% OR IMPAIR THE FUNCTION OF ANY JOINT SEALS

### G) BUILDING MOVEMENTS

-LIVE LOAD DEFLECTION 1/2"  
 -DRIFT PER FLOOR  
 $\Delta m$  1ST - 2ND FLOOR +/-1"  
 $\Delta m$  2ND - 3RD FLOOR +/-1.25"  
 $\Delta m$  3RD - ROOF +/-1.25"

### H) ANCHOR TOLERANCES:

-IN/OUT +/- 1"  
 -UP/DOWN +/- 1/2"

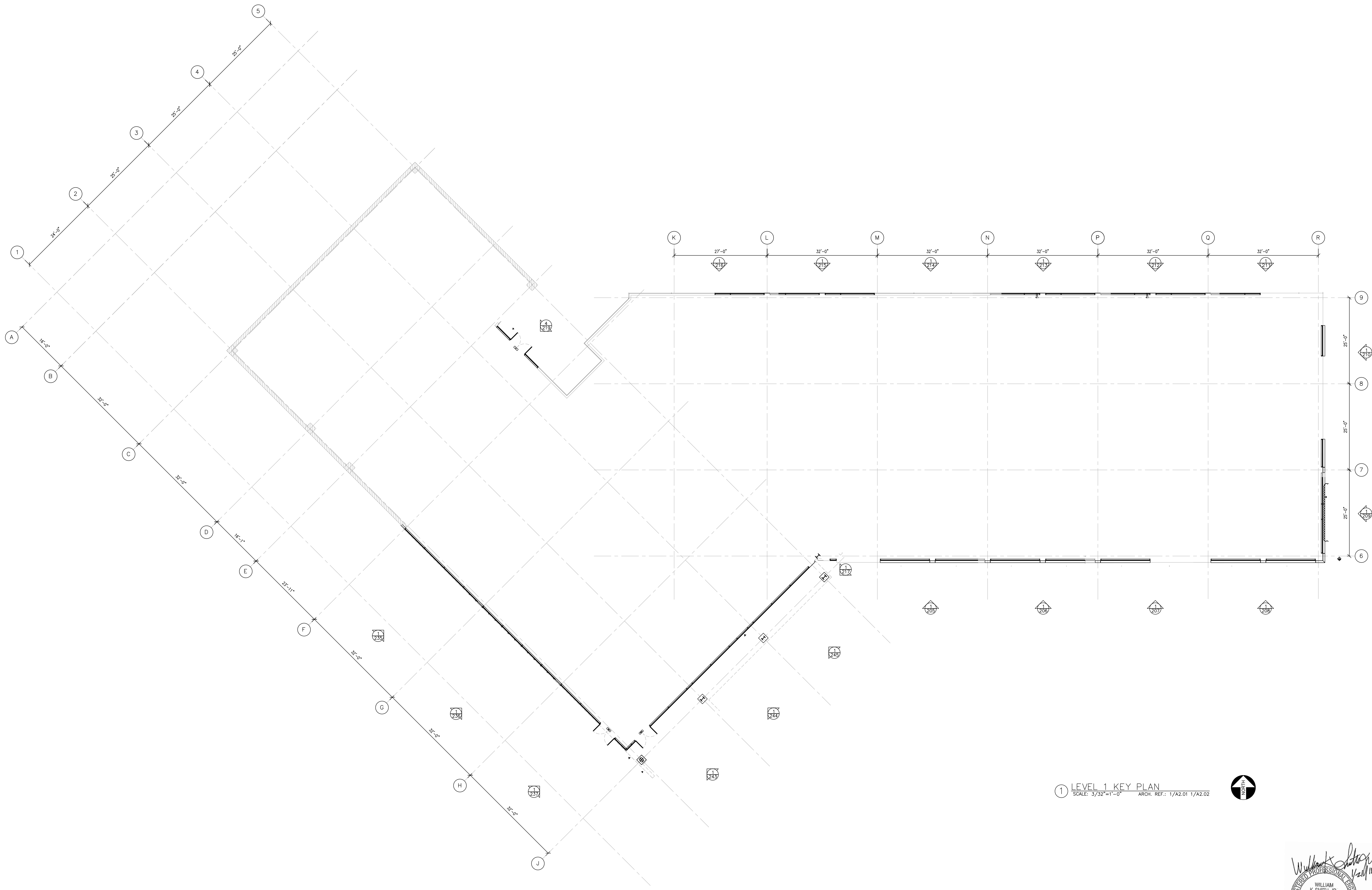


NO.	DATE	REVISION DESCRIPTION
5	10-15-10	AS BUILT
4	03-26-10	FOR RECORD
3	05-18-09	FOR CONSTRUCTION
2	03-18-09	SGH, ARCH, C/S REV.
1	10-09-08	PER DSA COMMENTS

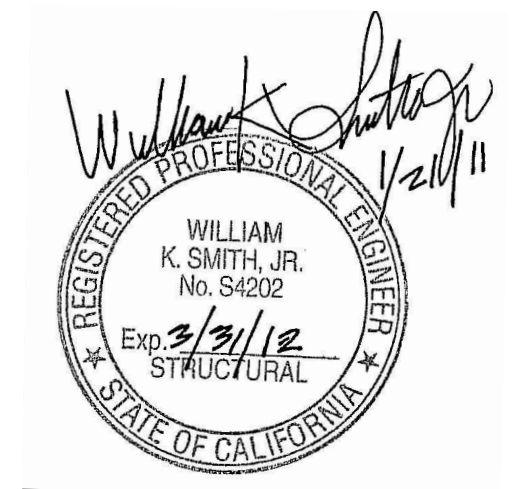
**COLLEGE OF SAN MATEO**  
**BUILDING 5N**  
 1700 WEST HILLSDALE BOULEVARD  
 SAN MATEO, CA. 94402

**C/S ERECTORS INC.**  
 License No. 07000  
 2500 OLD CROFT CANYON RD. SUITE. 320  
 FOLSOM, CA 95630  
 TEL: (925) 820-8113 FAX: (925) 820-8987

DATE: 05/30/08  
 SCALE: N/A  
 DRAWN BY: CDC  
 JOB #: D01065  
 SHEET # **C2**  
 OF -- SHEETS



① LEVEL 1 KEY PLAN  
 SCALE: 3/32" = 1'-0" ARCH. REF: 1/A2.01 1/A2.02

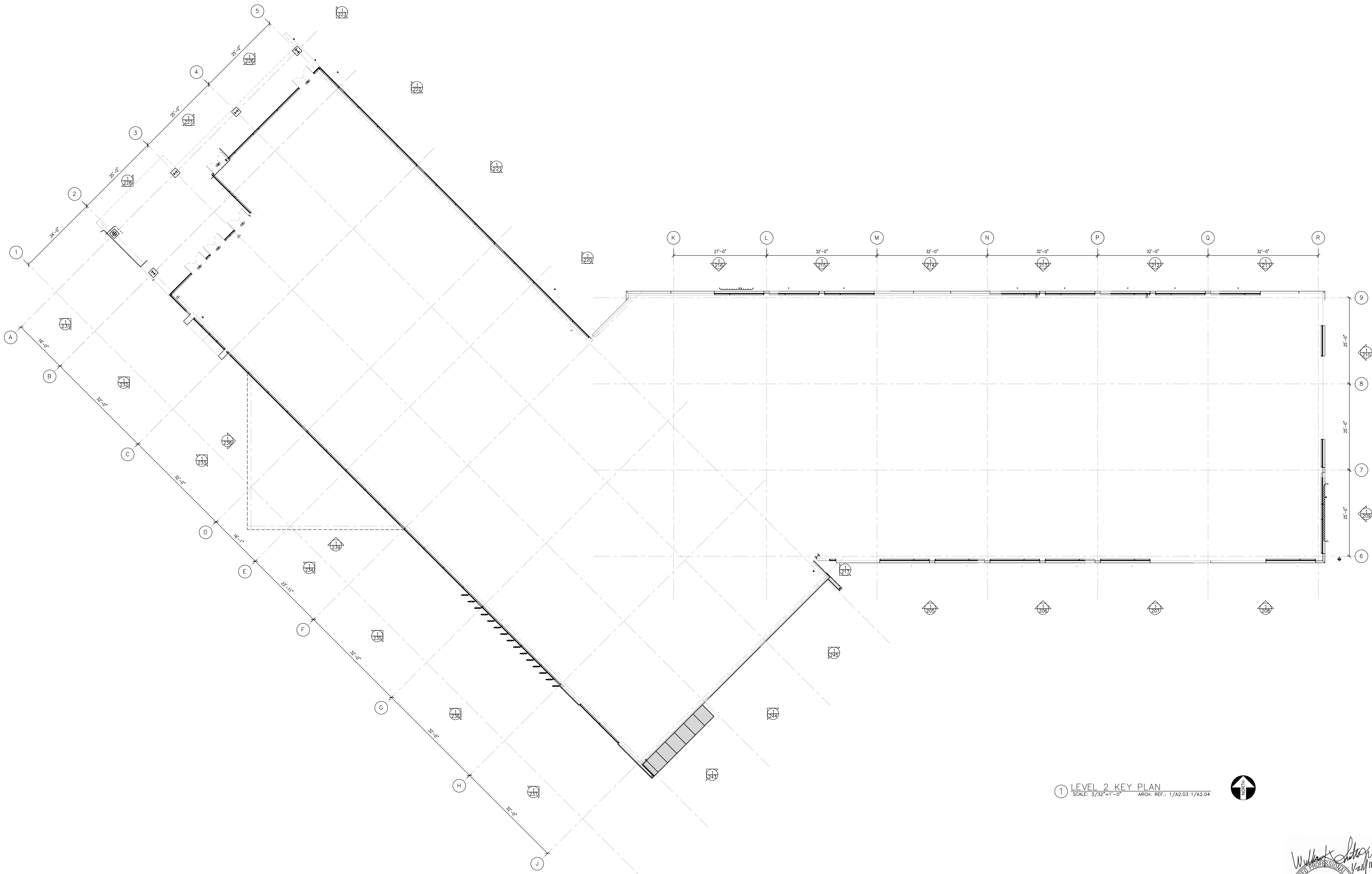


**C/S Erectors Inc.** DIVISION OF ARCHITECTURAL PLANS SYSTEMS  
 License No. 076060  
 2500 OLD CROFT CANYON RD., SUITE. 320  
 SAN MATEO, CA 94402 TEL: (650) 820-8113 FAX: (650) 820-8987

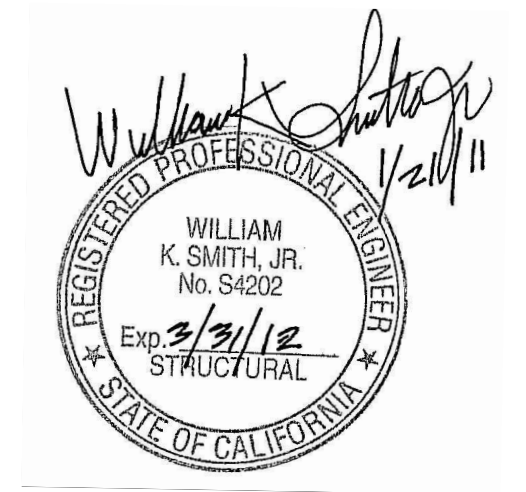
**COLLEGE OF SAN MATEO**  
**BUILDING 5N**  
 1700 WEST HILLSDALE BOULEVARD  
 SAN MATEO, CA. 94402

NO.	DATE	REVISION DESCRIPTION
2	10/15/10	AS BUILT
1	3/26/10	FOR RECORD

DATE: 05/30/08  
 SCALE: 3/32" = 1'-0"  
 DRAWN BY: CDC  
 JOB #: D01065  
 SHEET # **101**  
 OF -- SHEETS



1 LEVEL 2 KEY PLAN  
SCALE: 3/32" = 1'-0" ARCH. REF: 1/A2.03 1/A2.04

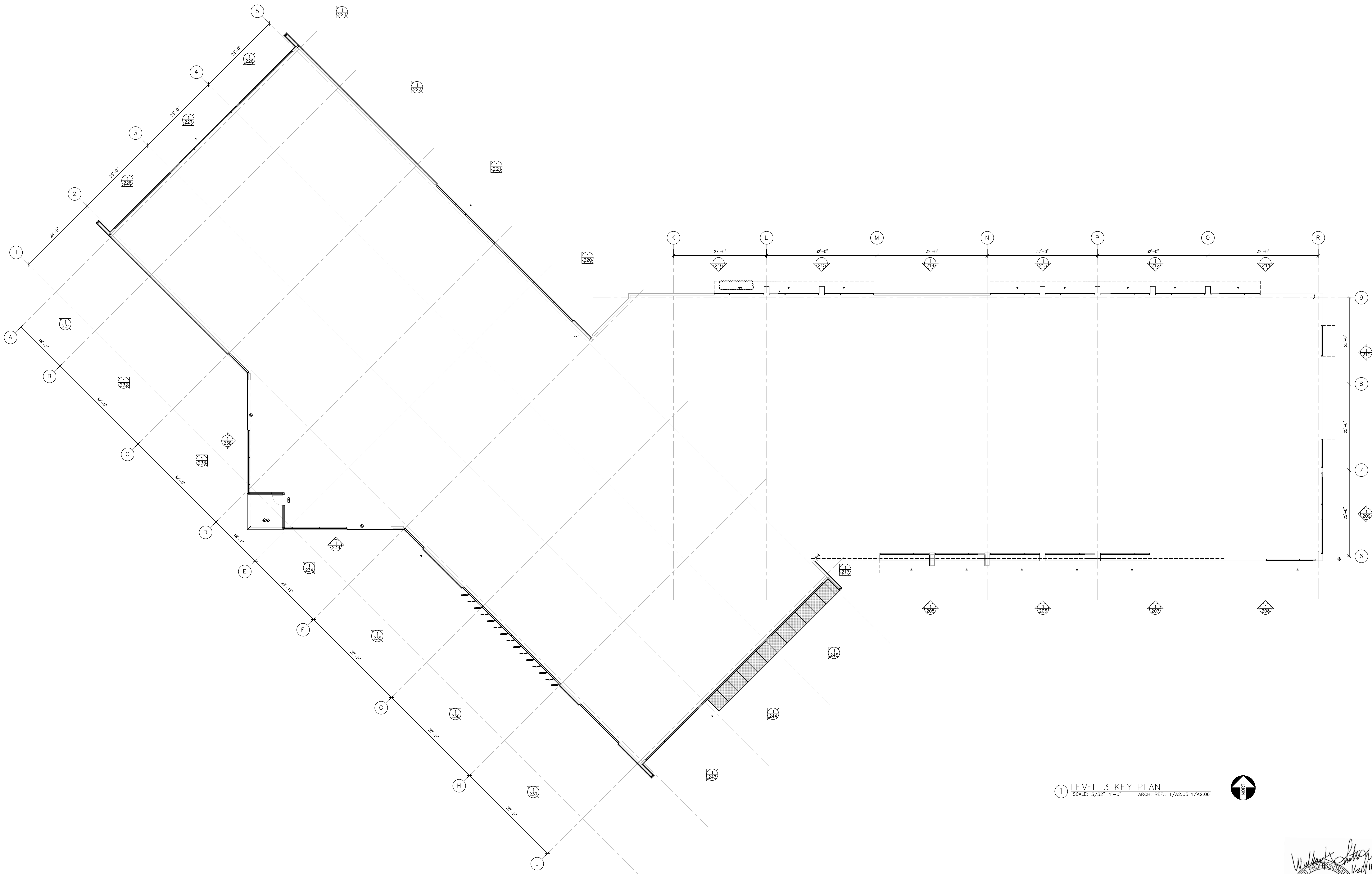


**C/S Erectors Inc.** DIVISION OF ARCHITECTURAL PLANS SYSTEMS  
 License No. 07666  
 2500 OLD CROFT CANYON RD., SUITE. 320  
 SAN MATEO, CA 94403  
 TEL: (650) 820-6113 FAX: (650) 820-6987

DATE: 03/18/09  
 SCALE: 3/32" = 1'-0"  
 DRAWN BY: CDC  
 JOB #: D01065  
 SHEET # **102**  
 OF -- SHEETS

**COLLEGE OF SAN MATEO**  
**BUILDING 5N**  
 1700 WEST HILLSDALE BOULEVARD  
 SAN MATEO, CA. 94402

NO.	DATE	REVISION DESCRIPTION
2	10/15/10	AS BUILT
1	3/28/10	FOR RECORD



1 LEVEL 3 KEY PLAN  
 SCALE: 3/32" = 1'-0" ARCH. REF: 1/A2.05 1/A2.06

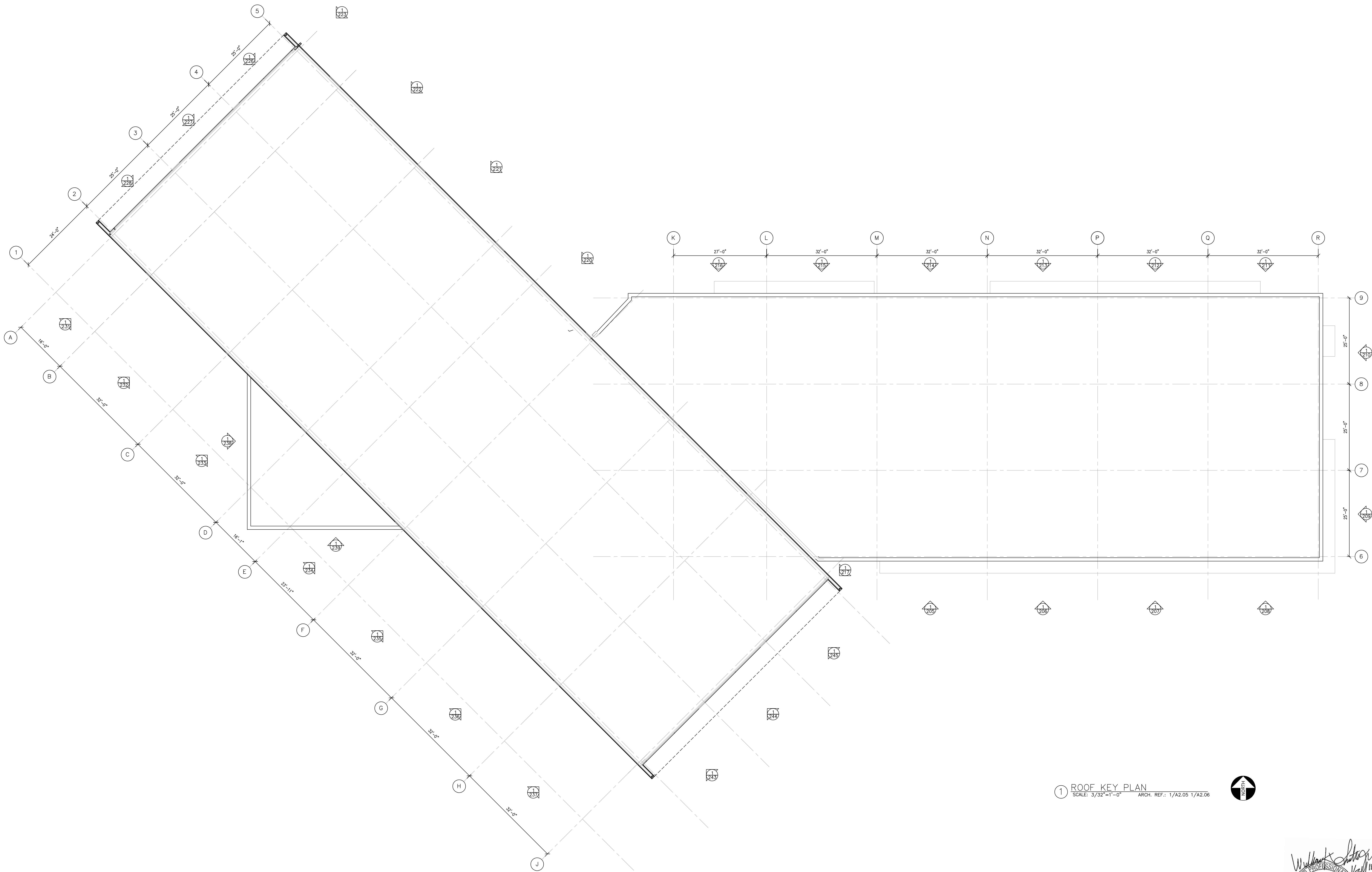


*William K. Smith, Jr.*  
 WILLIAM  
 K. SMITH, JR.  
 No. 54202  
 Exp. 2/21/12  
 REGISTERED PROFESSIONAL ARCHITECT  
 STATE OF CALIFORNIA

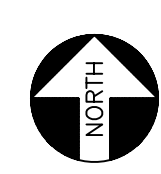
C/S ERECTORS, INC. DIVISION OF ARCHITECTURAL PLANS SYSTEMS <small>License No. 076060</small>	
2500 OLD CROFT CANYON RD., SUITE. 320 <small>REDWOOD CITY, CA 94061 TEL: (650) 820-8113 FAX: (650) 820-8987</small>	
DATE:	03/18/09
SCALE:	3/32" = 1'-0"
DRAWN BY:	CDC
JOB #	D01065
SHEET #	103
OF	-- SHEETS

COLLEGE OF SAN MATEO  
 BUILDING 5N  
 1700 WEST HILLSDALE BOULEVARD  
 SAN MATEO, CA. 94402

NO.	DATE	REVISION DESCRIPTION
2	10/15/10	AS BUILT
1	3/28/10	FOR RECORD



1 ROOF KEY PLAN  
 SCALE: 3/32" = 1'-0" ARCH. REF: 1/A2.05 1/A2.06

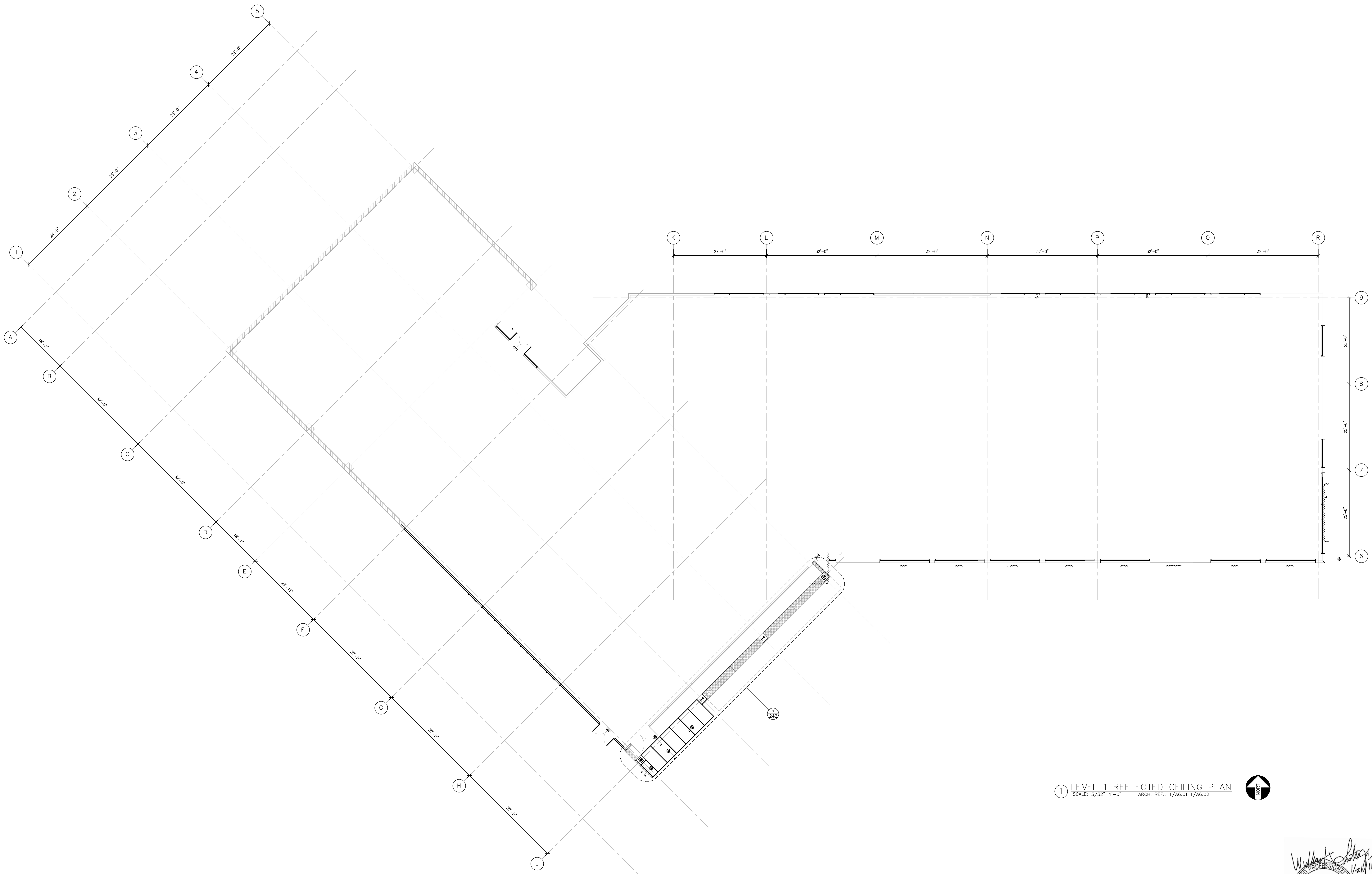


*William K. Smith, Jr.*  
 WILLIAM K. SMITH, JR.  
 No. 514202  
 Exp. 3/31/12  
 REGISTERED PROFESSIONAL ARCHITECT  
 STATE OF CALIFORNIA

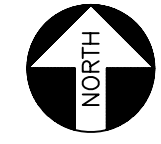
C/S ERECTORS, INC. DIVISION OF ARCHITECTURAL PLANE SYSTEMS	
License No. 076006	2500 OLD CROFT CANYON RD., SUITE. 320
	1700 WEST HILLSDALE BOULEVARD
	TEL: (925) 820-8113 FAX: (925) 820-8987
DATE: 03/18/09	
SCALE: 3/32" = 1'-0"	
DRAWN BY: CDC	
JOB # D01065	
SHEET # 104	
OF -- SHEETS	

COLLEGE OF SAN MATEO  
 BUILDING 5N  
 1700 WEST HILLSDALE BOULEVARD  
 SAN MATEO, CA. 94402

NO.	DATE	REVISION DESCRIPTION
2	10/15/10	AS BUILT
1	3/28/10	FOR RECORD



① LEVEL 1 REFLECTED CEILING PLAN  
 SCALE: 3/32" = 1'-0" ARCH. REF.: 1/A6.01 1/A6.02



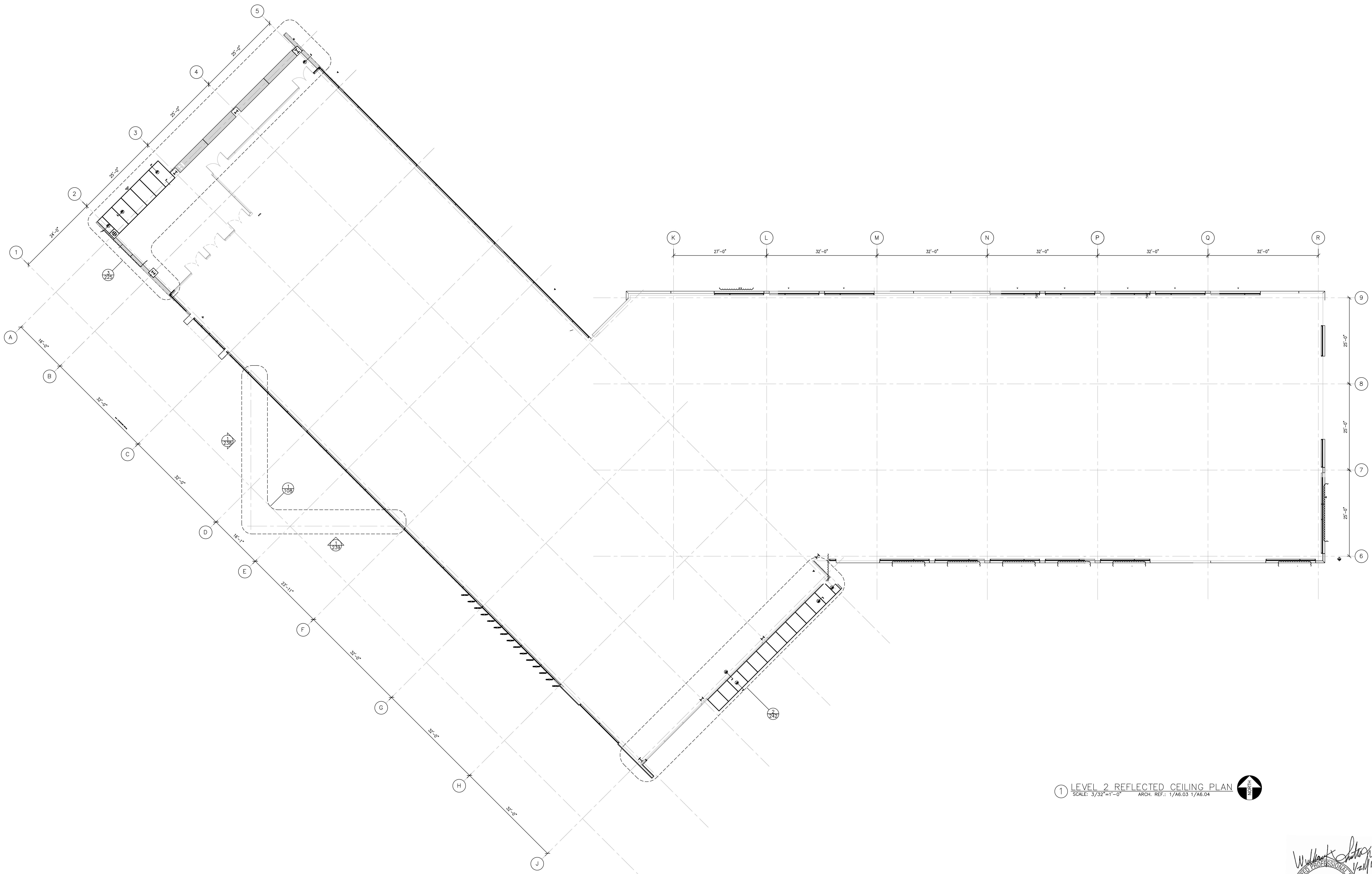
*William K. Smith, Jr.*  
 WILLIAM  
 K. SMITH, JR.  
 No. S4202  
 Exp. 3/31/12  
 REGISTERED PROFESSIONAL ENGINEER  
 IN STRUCTURAL  
 STATE OF CALIFORNIA

C/S ERECTORS INC. DIVISION OF ARCHITECTURAL PLANS SYSTEMS	
License No. 076060	2500 OLD CROFT CANYON RD. SUITE. 320
	BERKELEY, CA 94704
	TEL: (925) 820-8113 FAX: (925) 820-8987
DATE:	03/18/09
SCALE:	3/32" = 1'-0"
DRAWN BY:	CDC
JOB #	D01065
SHEET #	105
OF	SHEETS

COLLEGE OF SAN MATEO  
 BUILDING 5N  
 1700 WEST HILLSDALE BOULEVARD  
 SAN MATEO, CA. 94402

NO.	DATE	REVISION DESCRIPTION
2	10/15/10	AS BUILT
1	3/28/10	FOR RECORD





① LEVEL 2 REFLECTED CEILING PLAN  
 SCALE: 3/32" = 1'-0" ARCH. REF.: 1/A6.03 1/A6.04



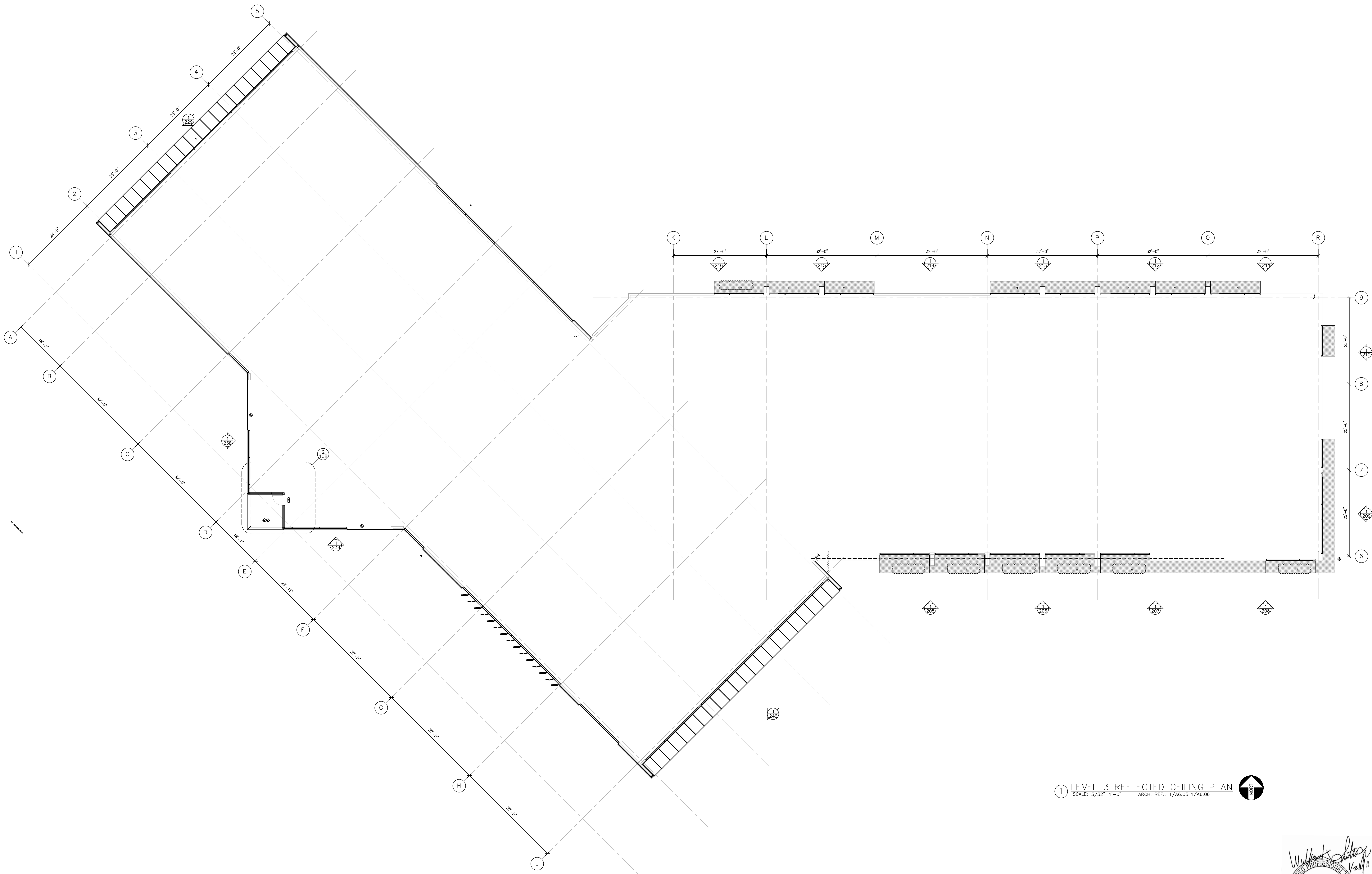
*William K. Smith, Jr.*  
 WILLIAM  
 K. SMITH, JR.  
 No. S4532  
 REGISTERED PROFESSIONAL ENGINEER  
 STATE OF CALIFORNIA

NO.	DATE	REVISION DESCRIPTION
2	10/15/10	AS BUILT
1	3/28/10	FOR RECORD

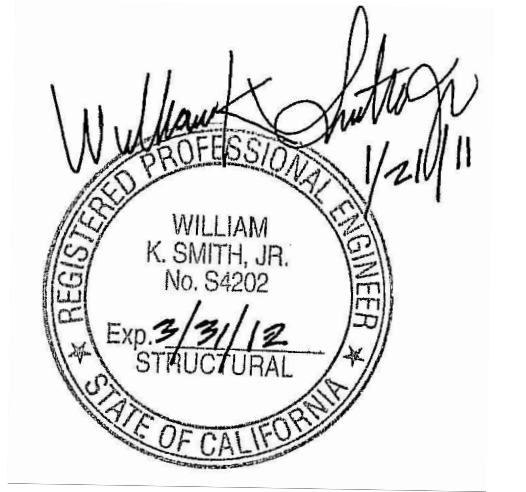
**COLLEGE OF SAN MATEO**  
**BUILDING 5N**  
 1700 WEST HILLSDALE BOULEVARD  
 SAN MATEO, CA. 94402

**C/S ERECTORS INC.** REGISTERED ARCHITECTURAL PLANS SYSTEMS  
 License No. 070606  
 2500 OLD CROFT CANYON RD. SUITE. 320  
 FOLSOM, CA 95630  
 TEL: (925) 820-8113 FAX: (925) 820-8987

DATE: 03/18/09  
 SCALE: 3/32" = 1'-0"  
 DRAWN BY: CDC  
 JOB #: D01065  
 SHEET # **106**  
 OF -- SHEETS



① LEVEL 3 REFLECTED CEILING PLAN  
 SCALE: 3/32" = 1'-0" ARCH. REF.: 1/A6.05 1/A6.06

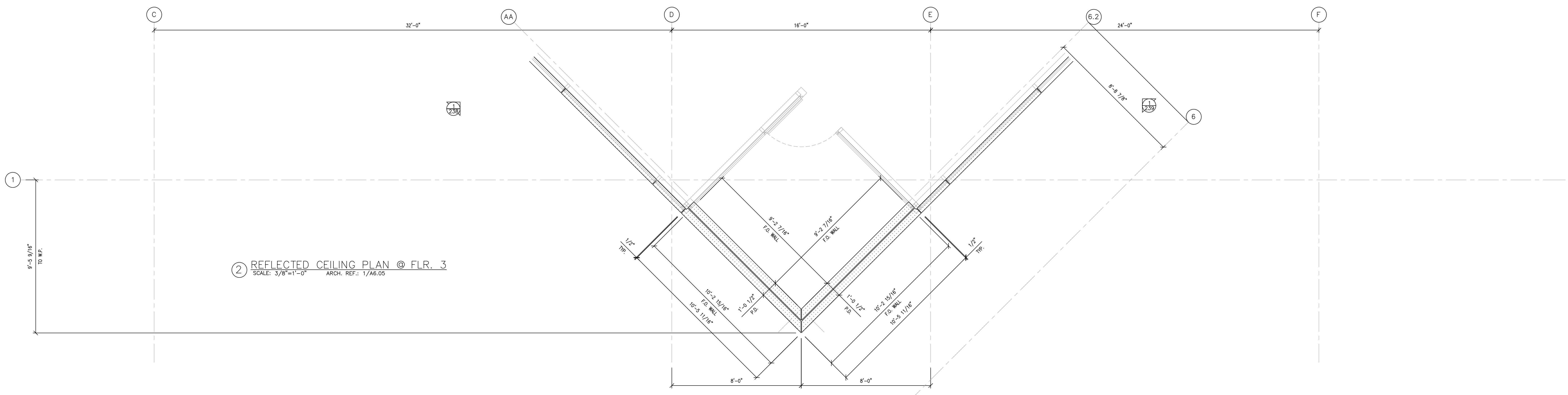


NO.	DATE	REVISION DESCRIPTION
2	10/15/10	AS BUILT
1	3/28/10	FOR RECORD

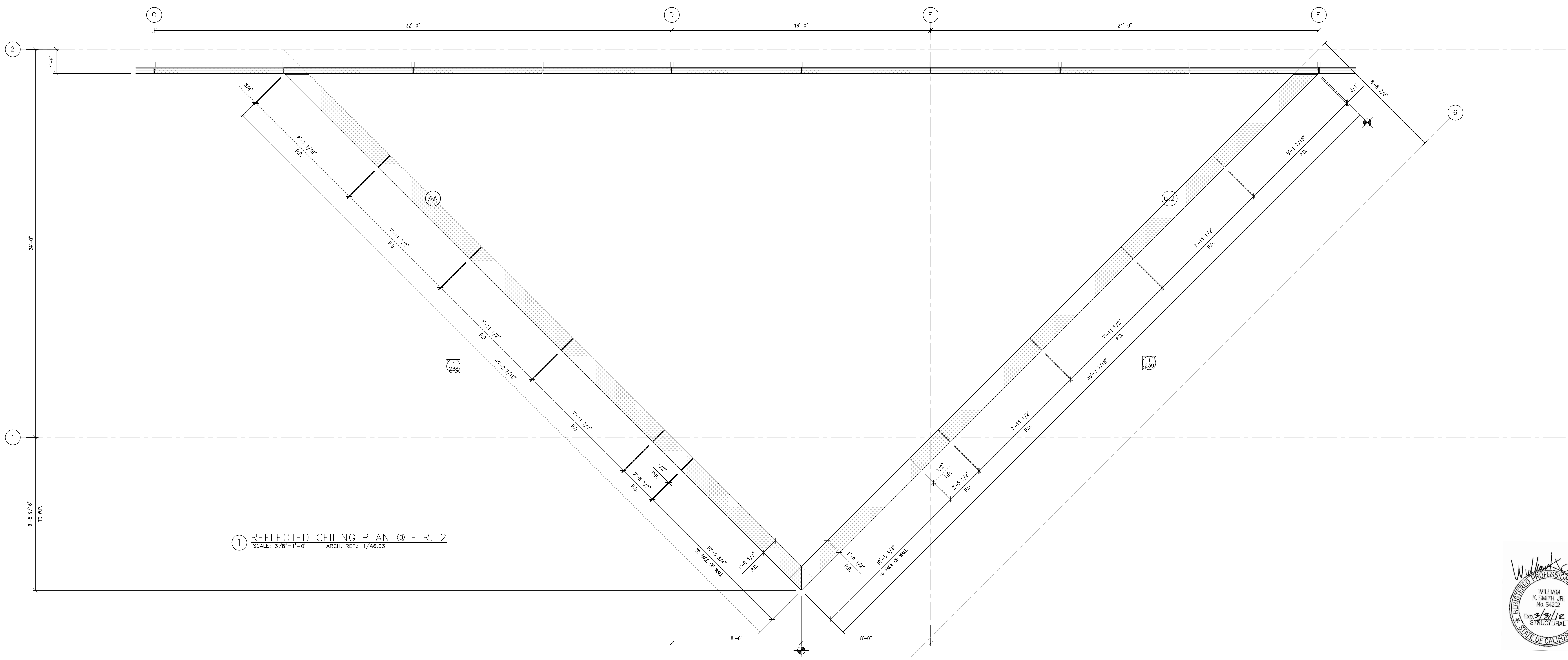
**COLLEGE OF SAN MATEO**  
 BUILDING 5N  
 1700 WEST HILLSDALE BOULEVARD  
 SAN MATEO, CA. 94402

**C/S Erectors Inc.** DIVISION OF ARCHITECTURAL PLANS SYSTEMS  
 License No. 070000  
 2500 OLD CROFT CANYON RD., SUITE. 320  
 SAN MATEO, CA. 94403  
 TEL: (925) 830-8113 FAX: (925) 820-8987

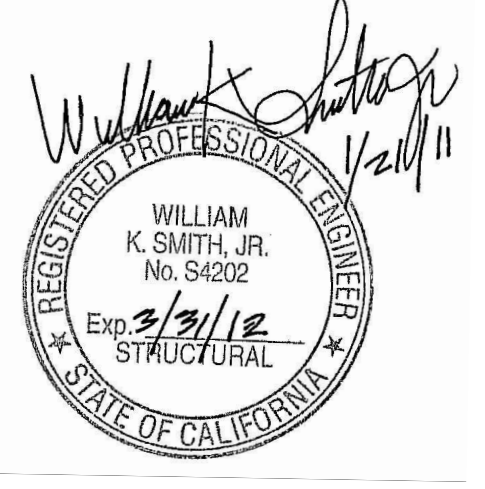
DATE: 03/18/09  
 SCALE: 3/32" = 1'-0"  
 DRAWN BY: CDC  
 JOB #: D01065  
 SHEET # **107**  
 OF -- SHEETS



② REFLECTED CEILING PLAN @ FLR. 3  
 SCALE: 3/8"=1'-0" ARCH. REF.: 1/A6.05



① REFLECTED CEILING PLAN @ FLR. 2  
 SCALE: 3/8"=1'-0" ARCH. REF.: 1/A6.03

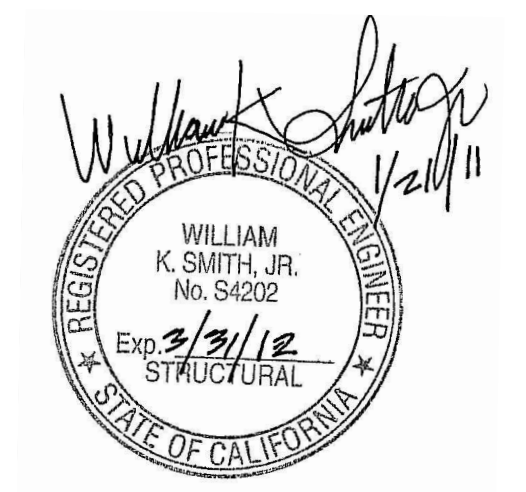
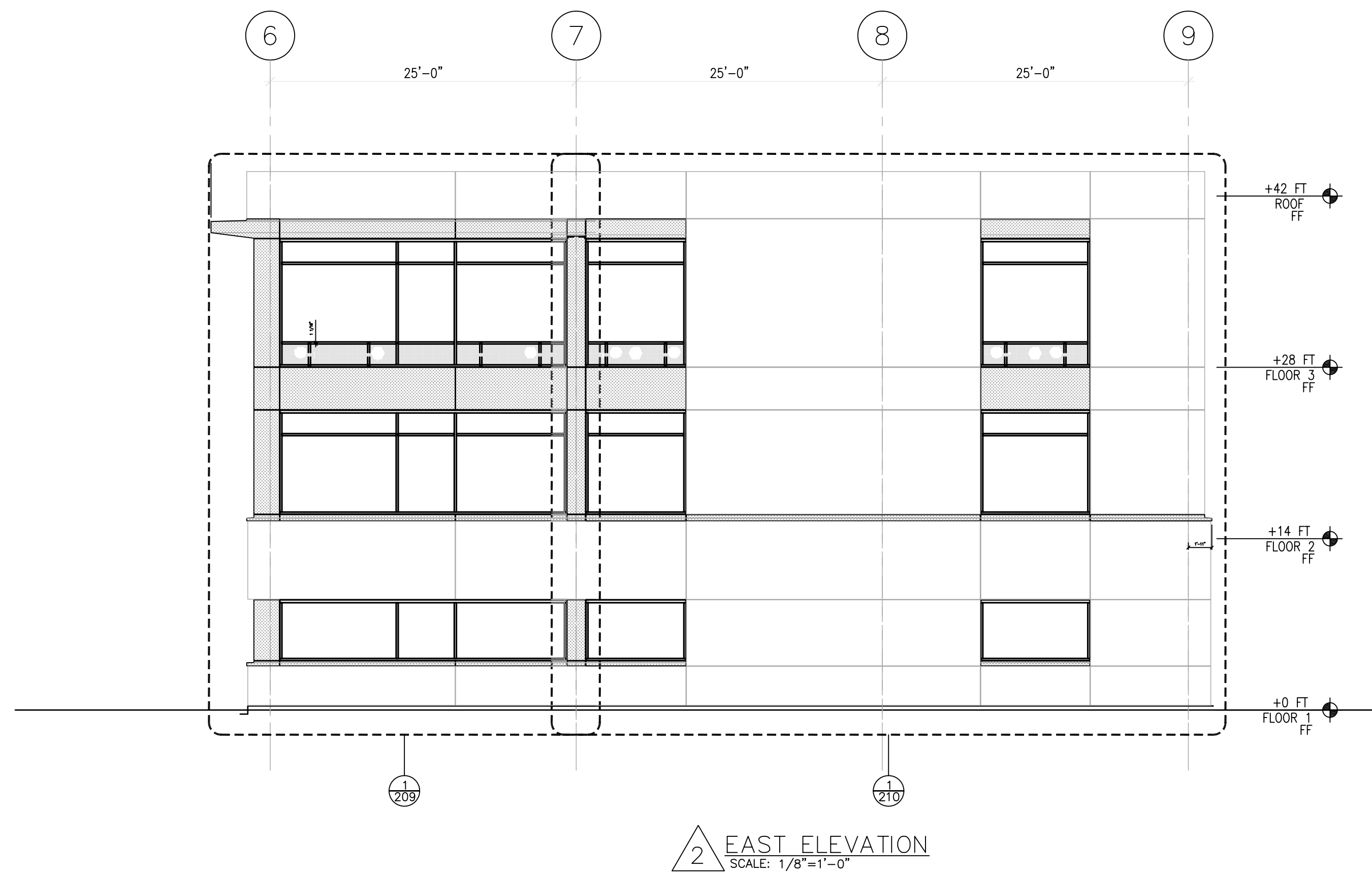
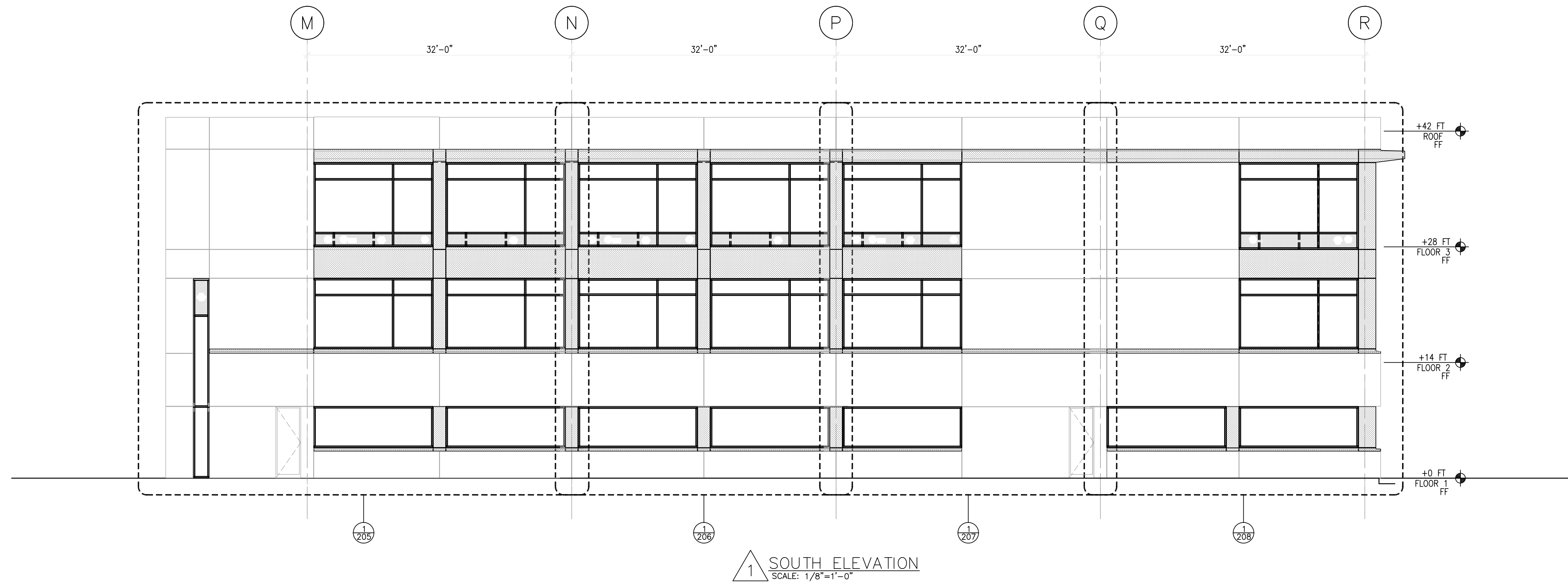


NO.	DATE	REVISION DESCRIPTION
5	10-15-10	AS BUILT
1	3/26/10	FOR RECORD

**COLLEGE OF SAN MATEO**  
**BUILDING 5N**  
 1700 WEST HILLSDALE BOULEVARD  
 SAN MATEO, CA. 94402

**C/S ERECTORS INC.** REGISTERED ARCHITECTURAL FIRM, STATE OF CALIFORNIA  
 License No. 076060  
 2500 OLD CROFT CANYON RD., SUITE. 320  
 FOLSOM, CA 95630  
 TEL: (925) 820-8113 FAX: (925) 820-8987

DATE: 03/18/09  
 SCALE: 3/8" = 1'-0"  
 DRAWN BY: CDC  
 JOB #: D01065  
 SHEET # **108**  
 OF -- SHEETS

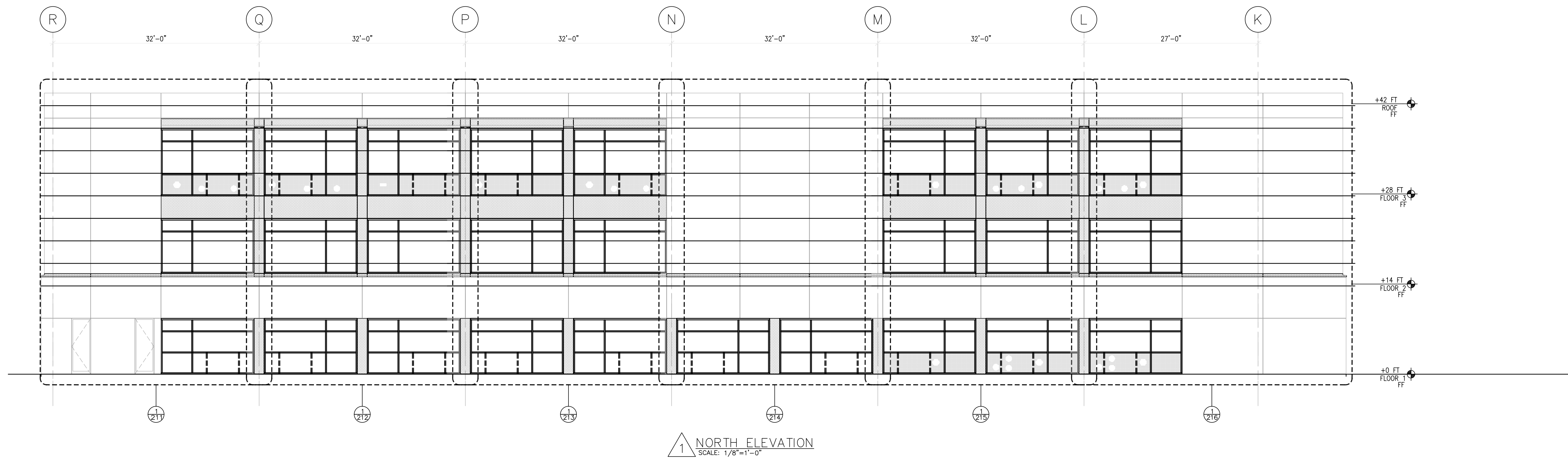


NO.	DATE	REVISION DESCRIPTION
2	10/15/10	AS BUILT
1	3/26/10	FOR RECORD

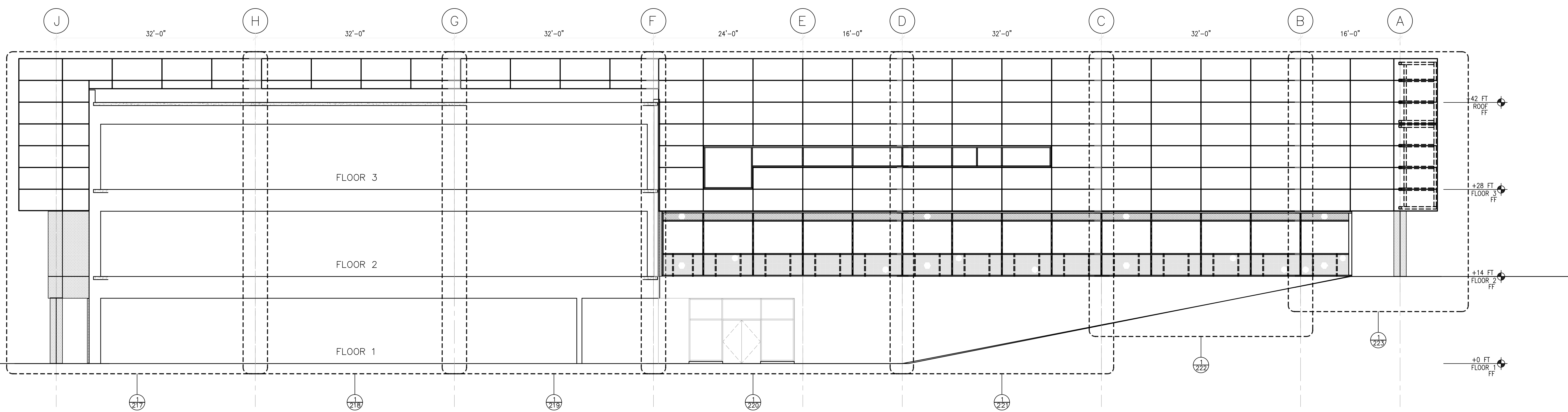
**COLLEGE OF SAN MATEO**  
**BUILDING 5N**  
 1700 WEST HILLSDALE BOULEVARD  
 SAN MATEO, CA. 94402

**C/S ERECTORS INC.** REGISTERED ARCHITECTURAL FIRM, 5070816  
 License No. 076006  
 2500 OLD CROFT CANYON RD., SUITE. 320  
 TIBURON, CA 94920  
 TEL: (925) 830-8113 FAX: (925) 820-6987

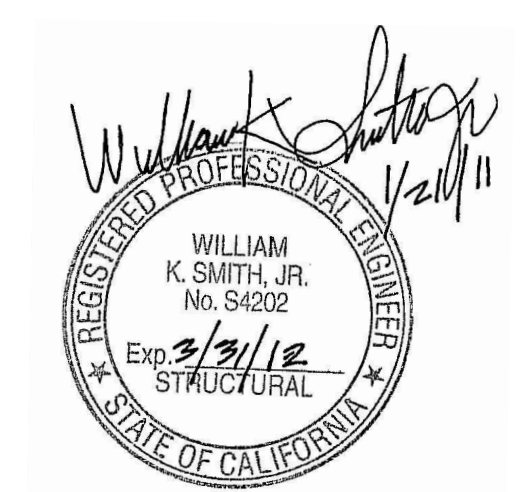
DATE: 05/30/08  
 SCALE: 1/8" = 1'-0"  
 DRAWN BY: CDC  
 JOB #: D01065  
 SHEET # **201**  
 OF -- SHEETS



1 NORTH ELEVATION  
SCALE: 1/8"=1'-0"



2 NORTHEAST ELEVATION  
SCALE: 1/8"=1'-0"

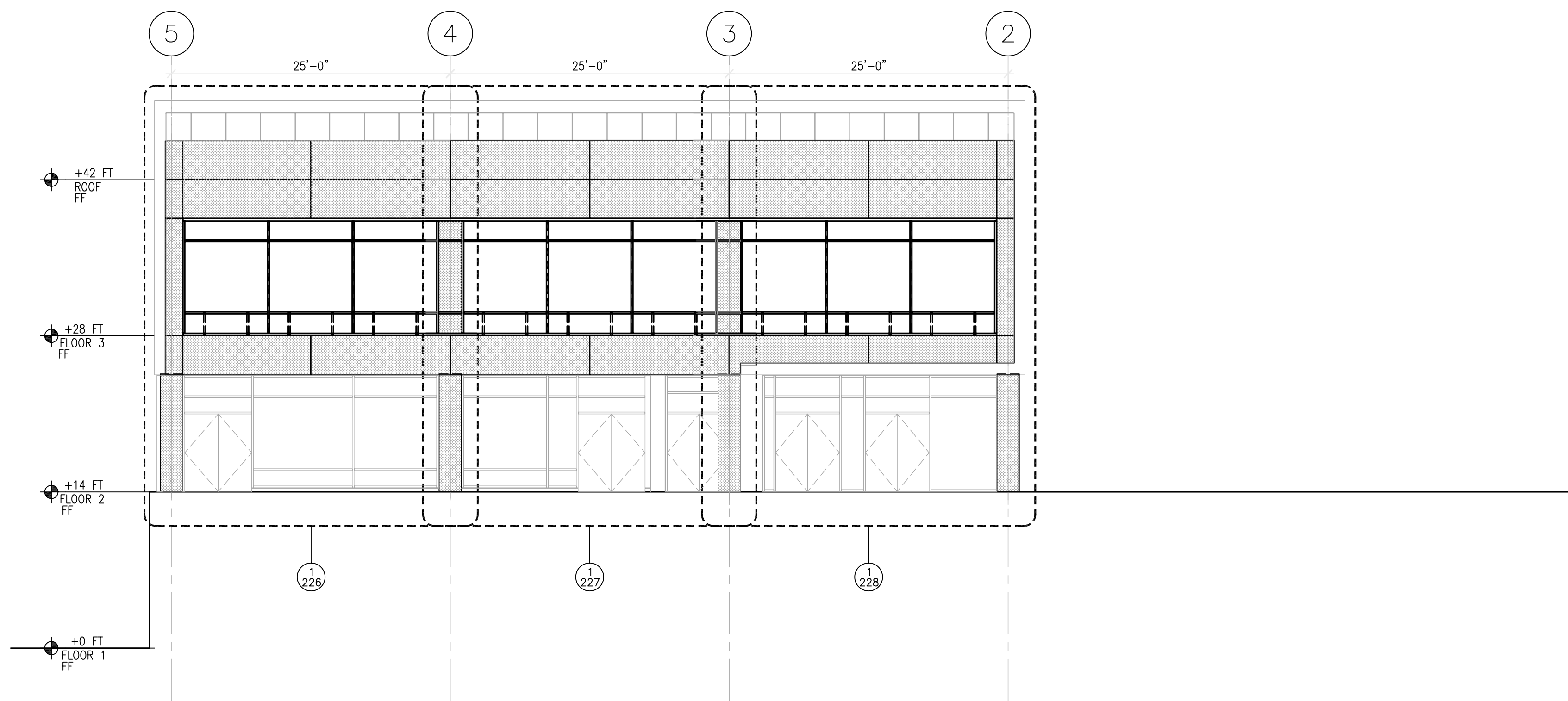


NO.	DATE	REVISION DESCRIPTION
2	10/15/10	AS BUILT
1	3/28/10	FOR RECORD

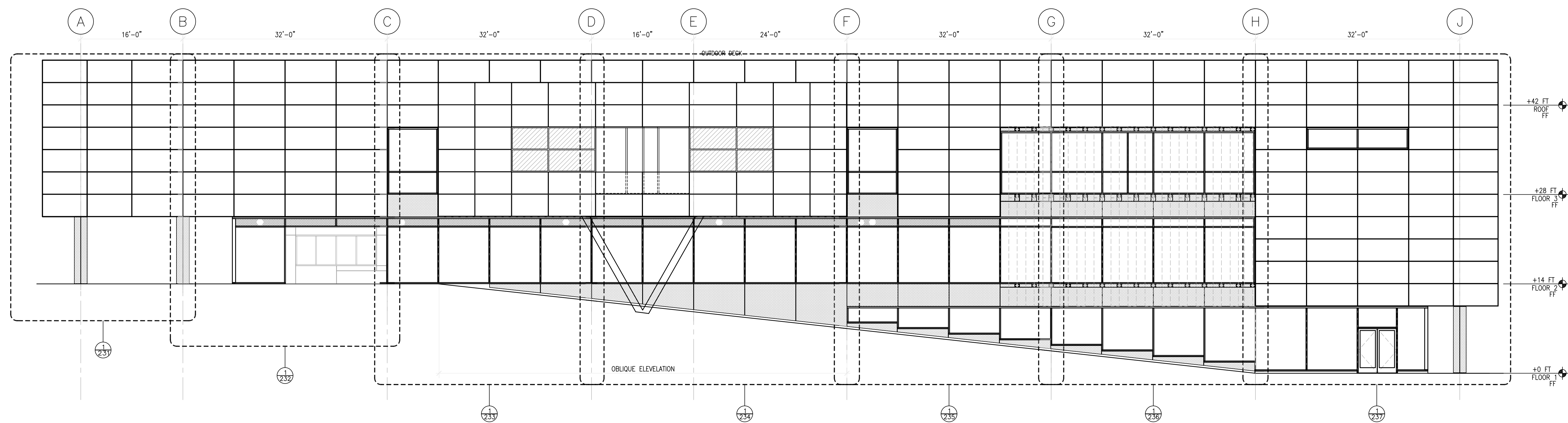
COLLEGE OF SAN MATEO  
BUILDING 5N  
1700 WEST HILLSDALE BOULEVARD  
SAN MATEO, CA. 94402

C/S Erectors Inc. REGISTERED ARCHITECTURAL FIRM, SYSTEMS  
License No. 070000  
2500 OLD CROFT CANYON RD., SUITE. 320  
REDWOOD CITY, CA 94061  
TEL: (650) 830-8113 FAX: (650) 820-6987

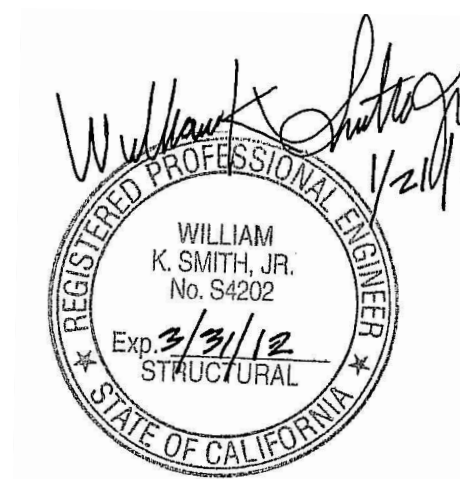
DATE: 05/30/08  
SCALE: 1/8" = 1'-0"  
DRAWN BY: CDC  
JOB # D01065  
SHEET # 202  
OF -- SHEETS



1 NORTHWEST ELEVATION  
SCALE: 1/8"=1'-0"



2 SOUTHWEST ELEVATION  
SCALE: 1/8"=1'-0"

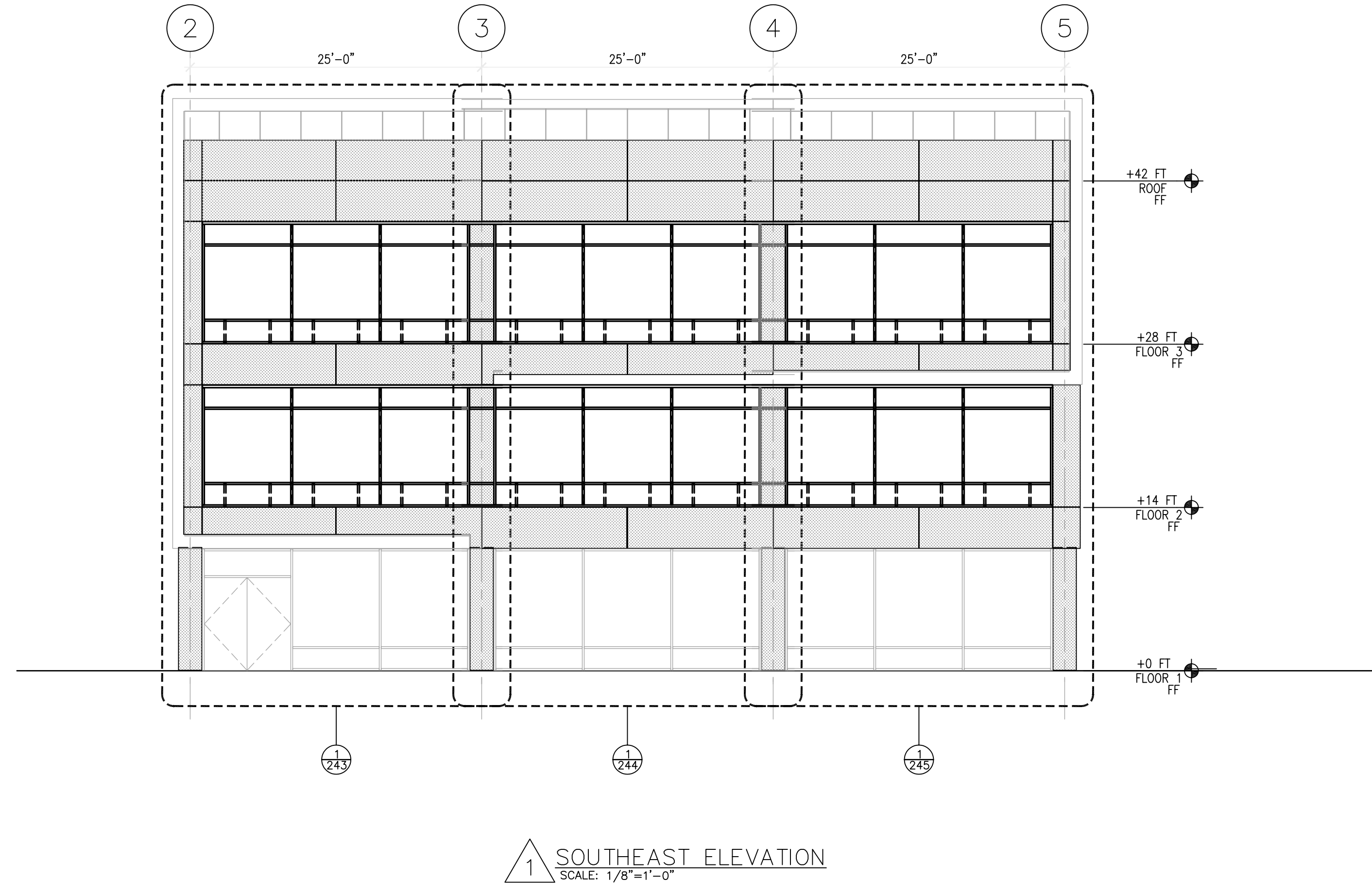


NO.	DATE	REVISION DESCRIPTION
2	10/15/10	AS BUILT
1	3/28/10	FOR RECORD

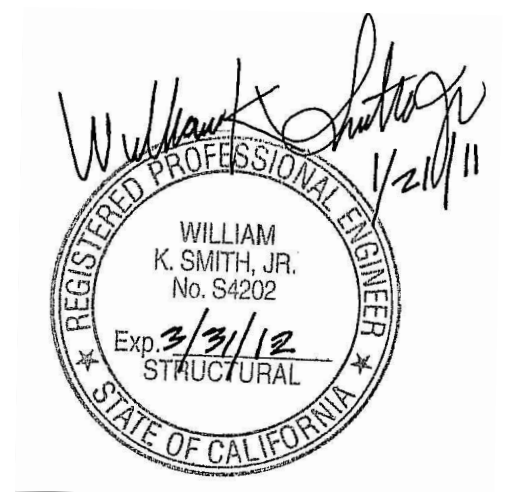
COLLEGE OF SAN MATEO  
BUILDING 5N  
1700 WEST HILLSDALE BOULEVARD  
SAN MATEO, CA. 94402

C/S Erectors Inc. DIVISION OF ARCHITECTURAL FRAME SYSTEMS  
License No. 076066  
2500 OLD CROFT CANYON RD., SUITE. 320  
REDWOOD CITY, CA 94061  
TEL: (650) 830-8113 FAX: (650) 820-6987

DATE: 05/30/083  
SCALE: 1/8" = 1'-0"  
DRAWN BY: CDC  
JOB # D01065  
SHEET # 203  
OF -- SHEETS



1 SOUTHEAST ELEVATION  
SCALE: 1/8"=1'-0"

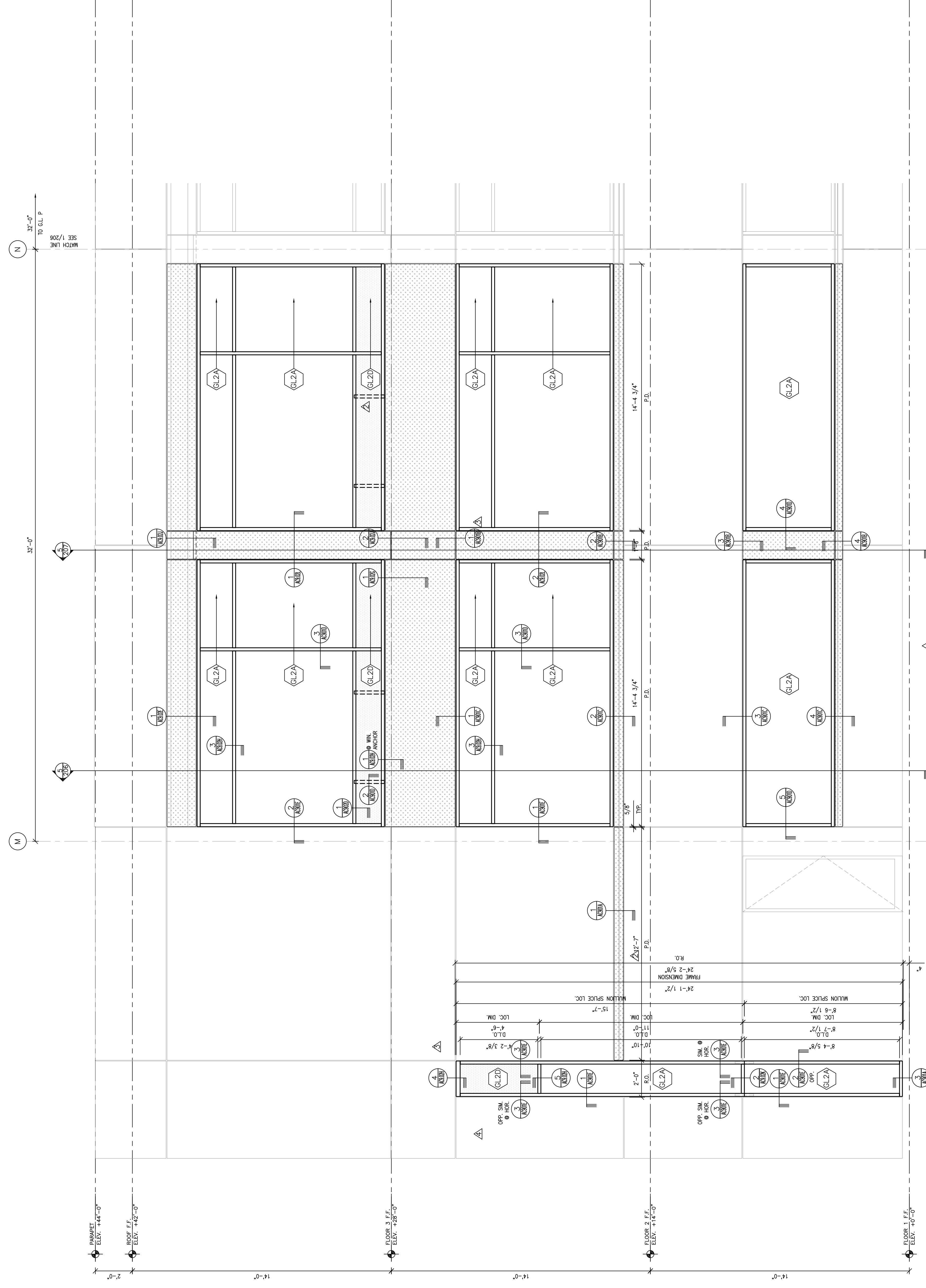
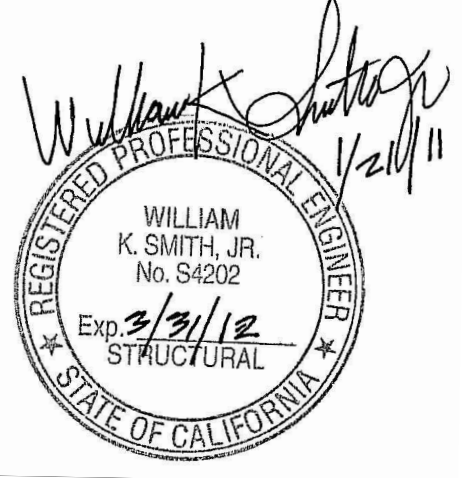


NO.	DATE	REVISION DESCRIPTION
2	10/15/10	AS BUILT
1	3/28/10	FOR RECORD

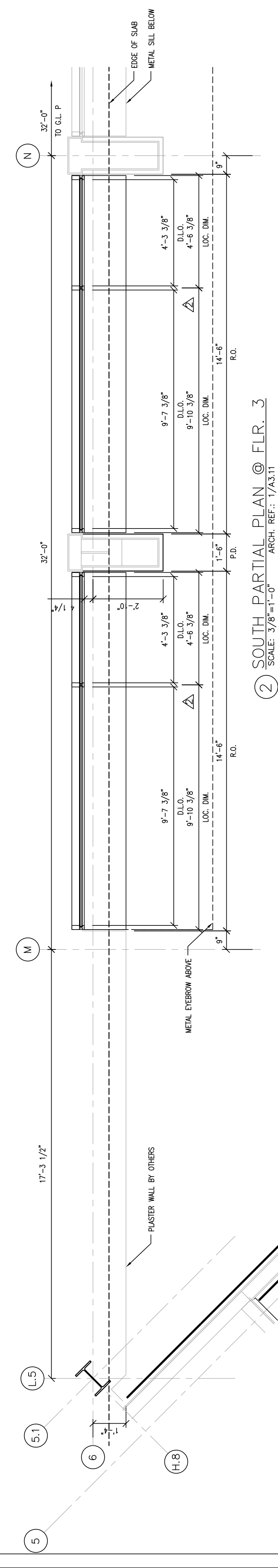
COLLEGE OF SAN MATEO  
BUILDING 5N  
1700 WEST HILLSDALE BOULEVARD  
SAN MATEO, CA. 94402

C/S ERECTORS, INC. DIVISION OF ARCHITECTURAL PLANS SYSTEMS  
License No. 076006  
2500 OLD CROW CANYON RD., SUITE. 320  
SAN MATEO, CA 94403  
TEL: (650) 830-8113 FAX: (650) 820-6987

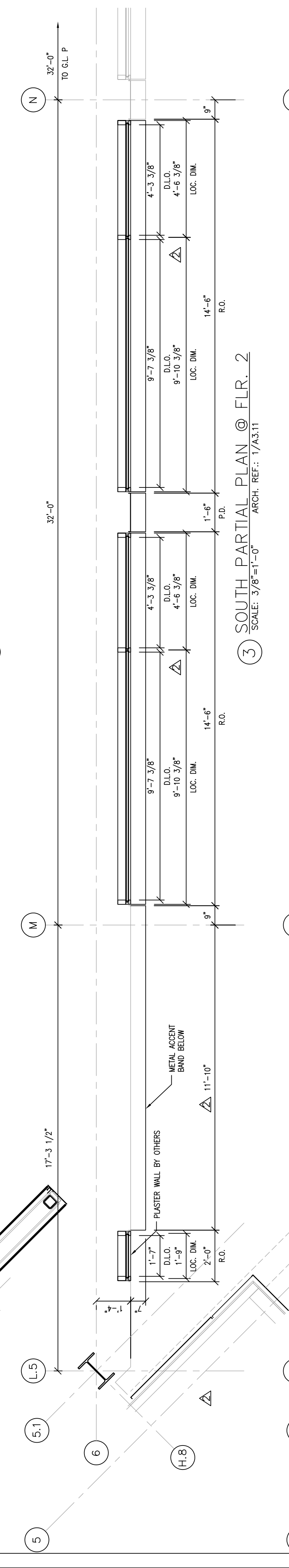
DATE: 05/30/08  
SCALE: 1/8" = 1'-0"  
DRAWN BY: CDC  
JOB # D01065  
SHEET # 204  
OF -- SHEETS



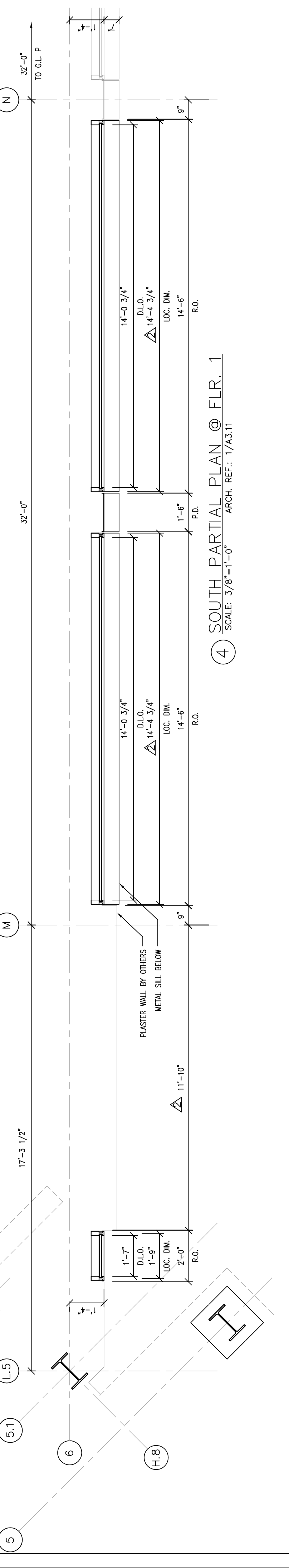
1 SOUTH PARTIAL ELEVATION  
SCALE: 3/8"=1'-0"  
ARCH. REF.: 1/A3.11



2 SOUTH PARTIAL PLAN @ FLR. 3  
SCALE: 3/8"=1'-0"  
ARCH. REF.: 1/A3.11



3 SOUTH PARTIAL PLAN @ FLR. 2  
SCALE: 3/8"=1'-0"  
ARCH. REF.: 1/A3.11

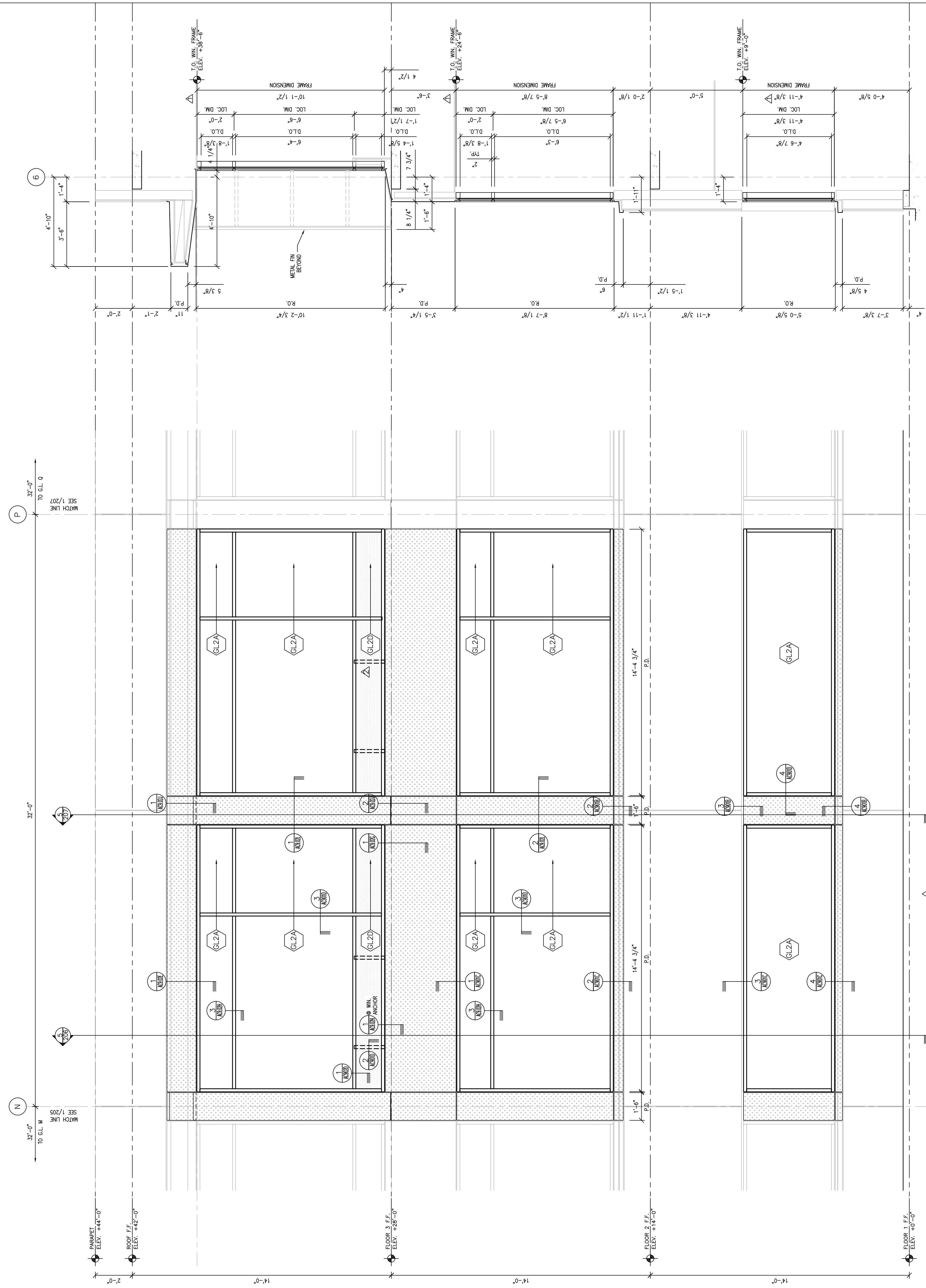


4 SOUTH PARTIAL PLAN @ FLR. 1  
SCALE: 3/8"=1'-0"  
ARCH. REF.: 1/A3.11

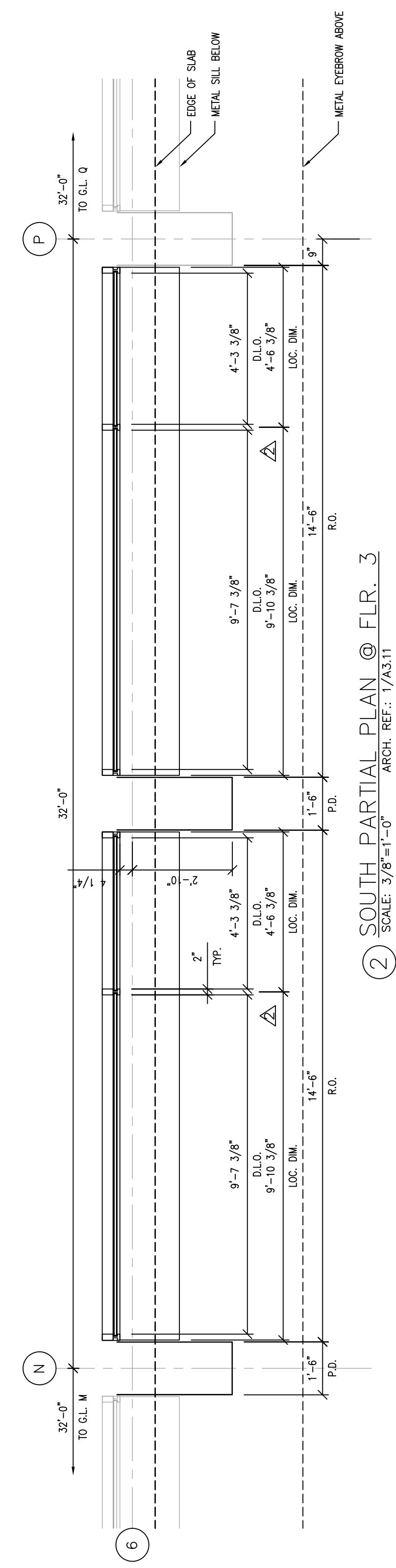
LEGEND

	GLASS TRANSPARENT
	GLASS TRANSLUCENT
	GLASS SPANDELT
	ALUMINUM PANELS
	CORRUGATED PANELS
	FINISHING REQUIRED

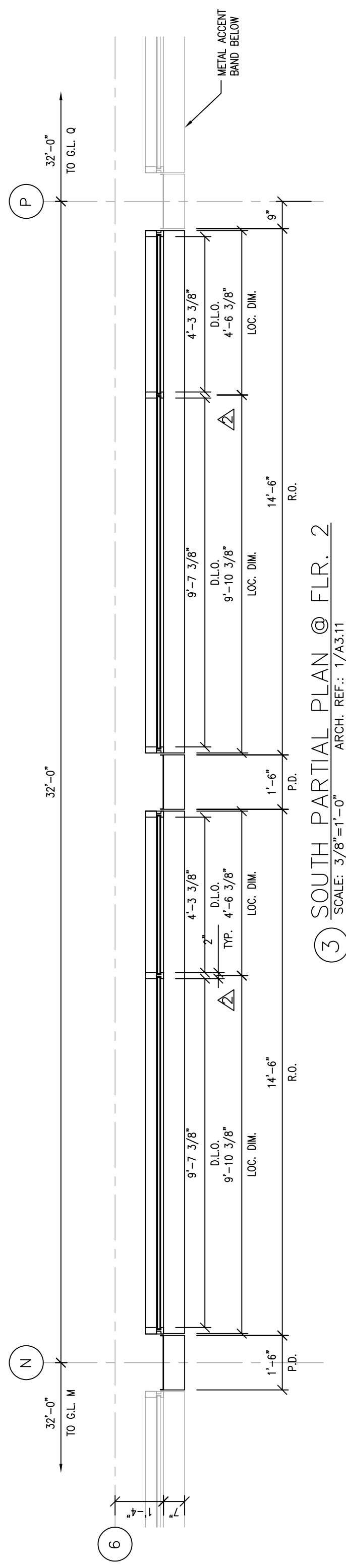




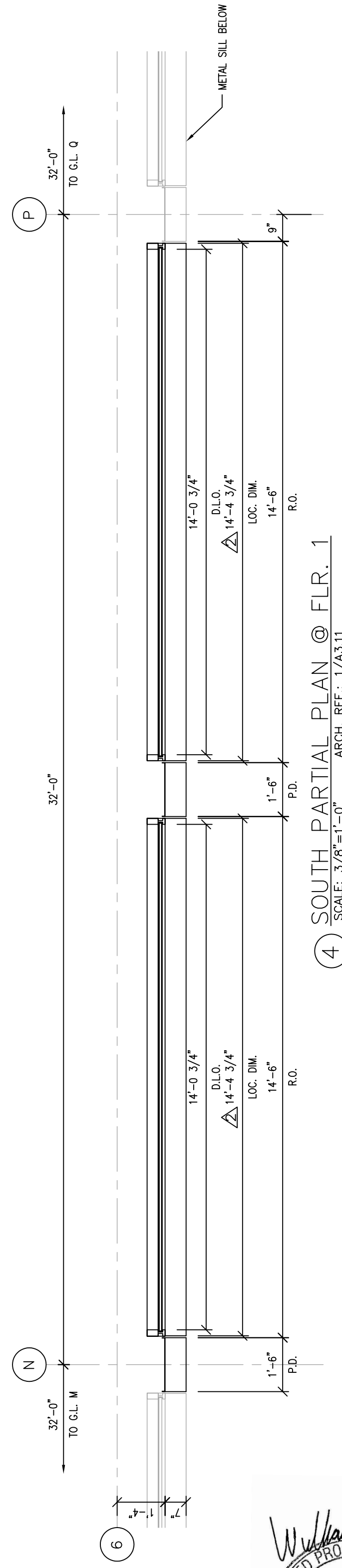
1 SOUTH PARTIAL ELEVATION  
SCALE: 3/8"=1'-0"  
ARCH. REF.: 1/A3.11



2 SOUTH PARTIAL PLAN @ FLR. 3  
SCALE: 3/8"=1'-0"  
ARCH. REF.: 1/A3.11

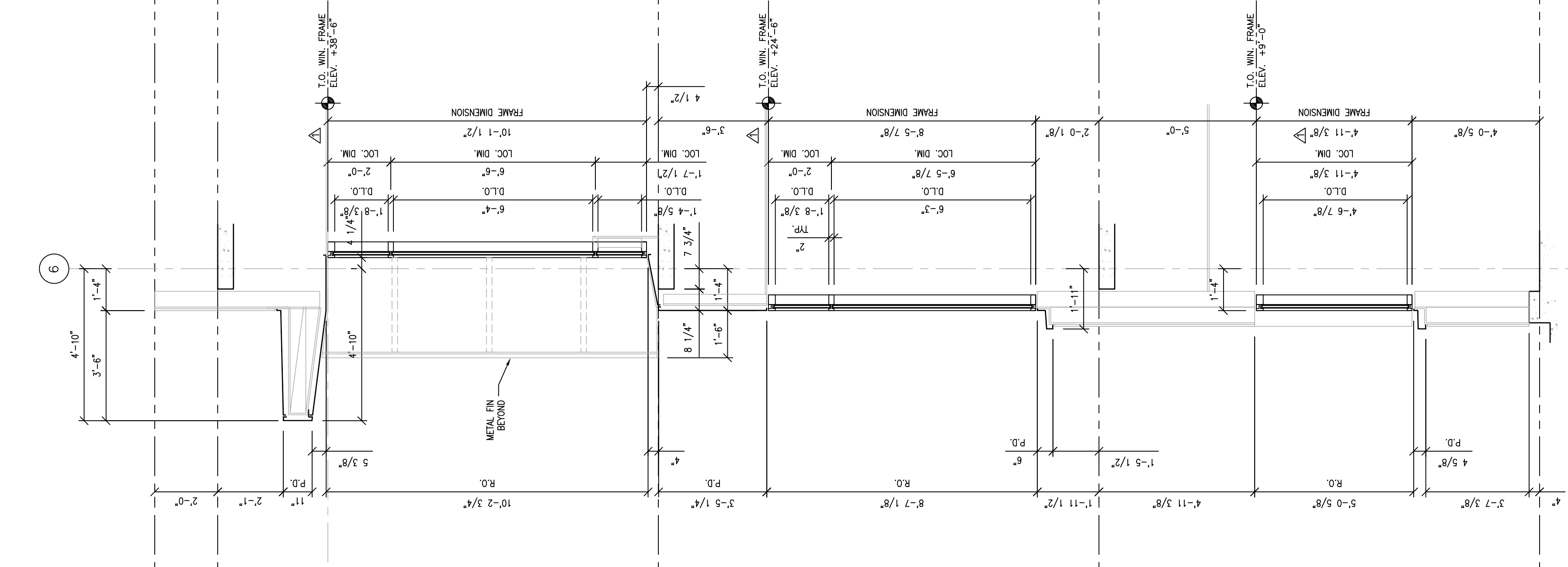


3 SOUTH PARTIAL PLAN @ FLR. 2  
SCALE: 3/8"=1'-0"  
ARCH. REF.: 1/A3.11



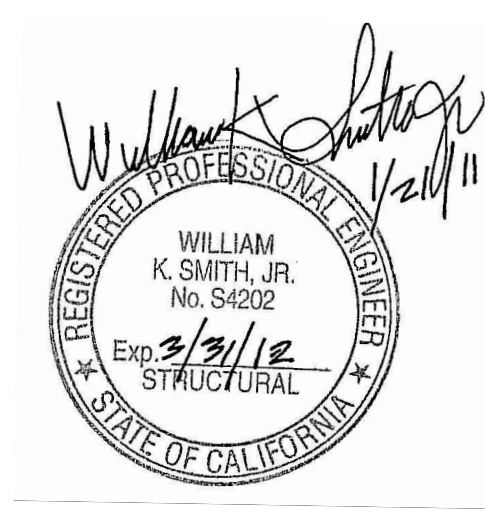
4 SOUTH PARTIAL PLAN @ FLR. 1  
SCALE: 3/8"=1'-0"  
ARCH. REF.: 1/A3.11

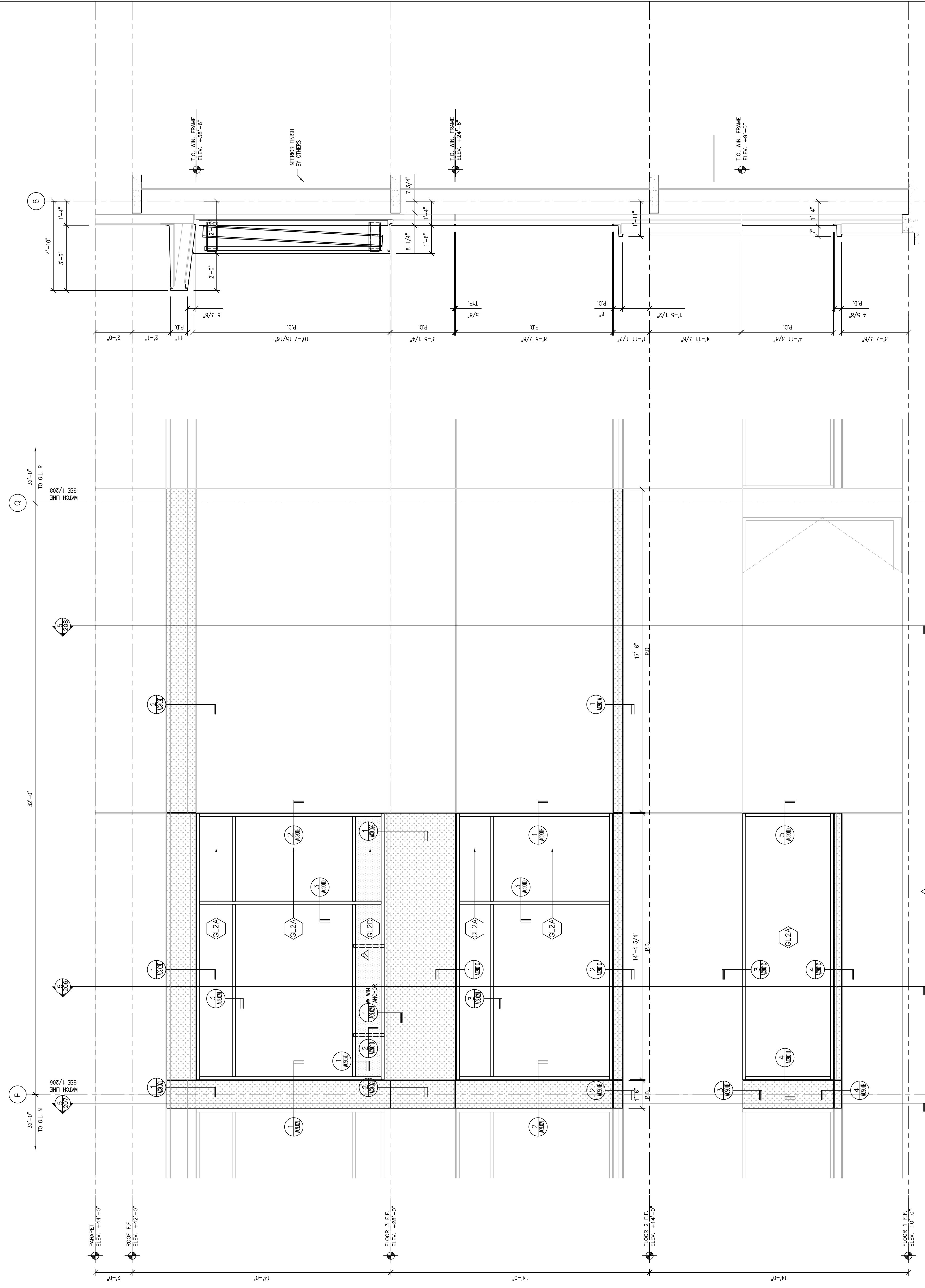
5 SECTION @ WINDOW  
SCALE: 3/8"=1'-0"  
ARCH. REF.: 2/A3.3



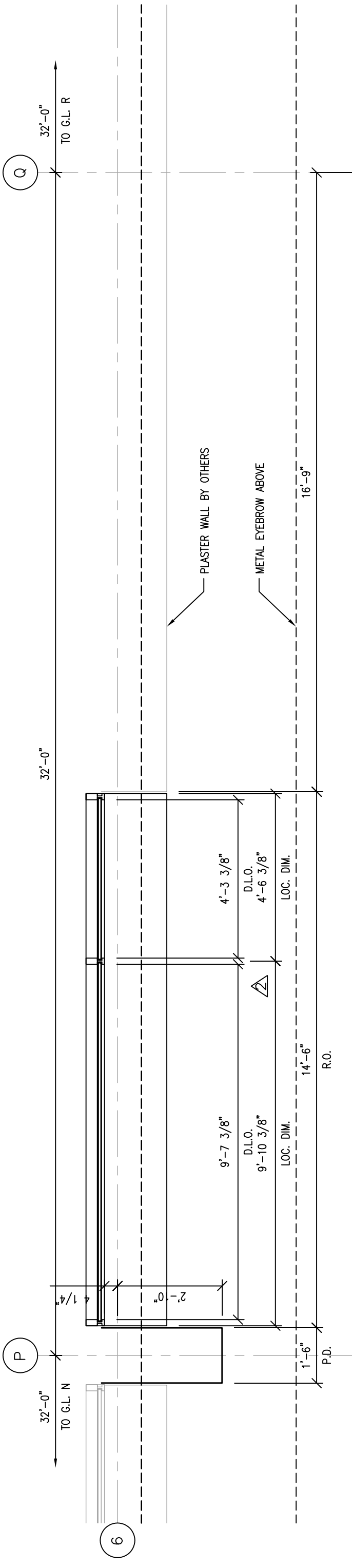
LEGEND

	GLASS TRANSPARENT
	GLASS TRANSLUCENT
	GLASS SPANDEL
	ALUMINUM PANELS
	CORRUGATED PANELS
	FINISHING REQUIRED

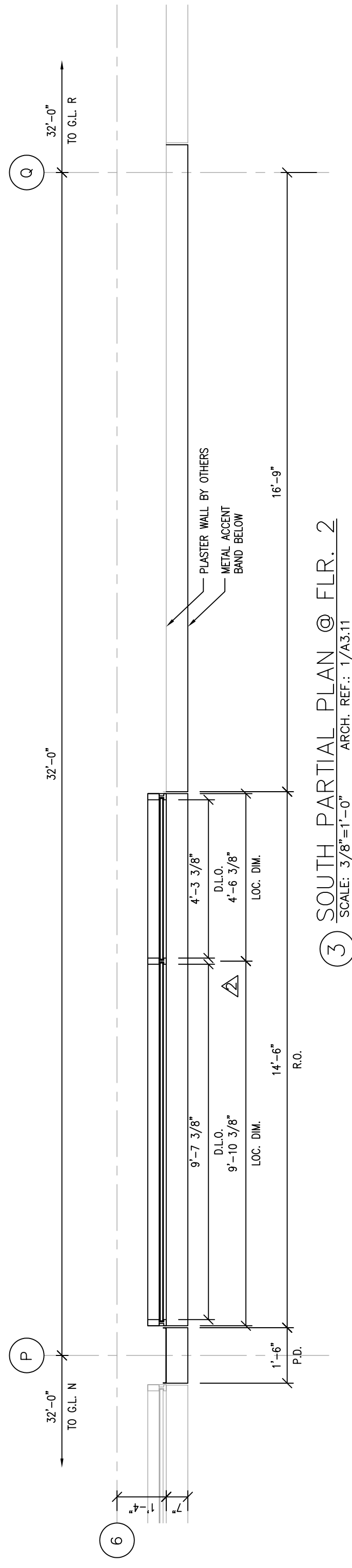




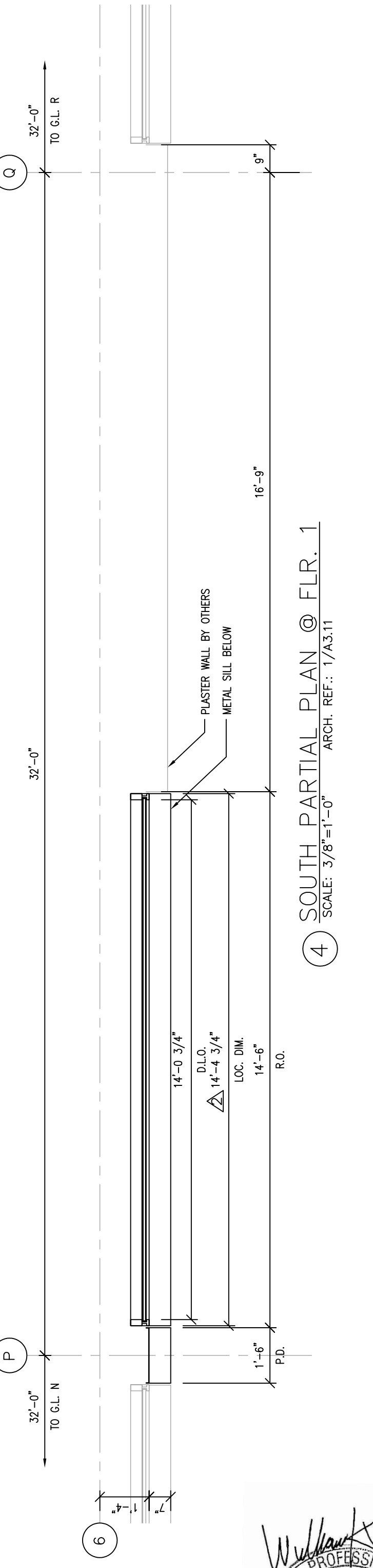
1 SOUTH PARTIAL ELEVATION  
SCALE: 3/8"=1'-0"  
ARCH. REF.: 1/A3.11



2 SOUTH PARTIAL PLAN @ FLR. 2  
SCALE: 3/8"=1'-0"  
ARCH. REF.: 1/A3.11

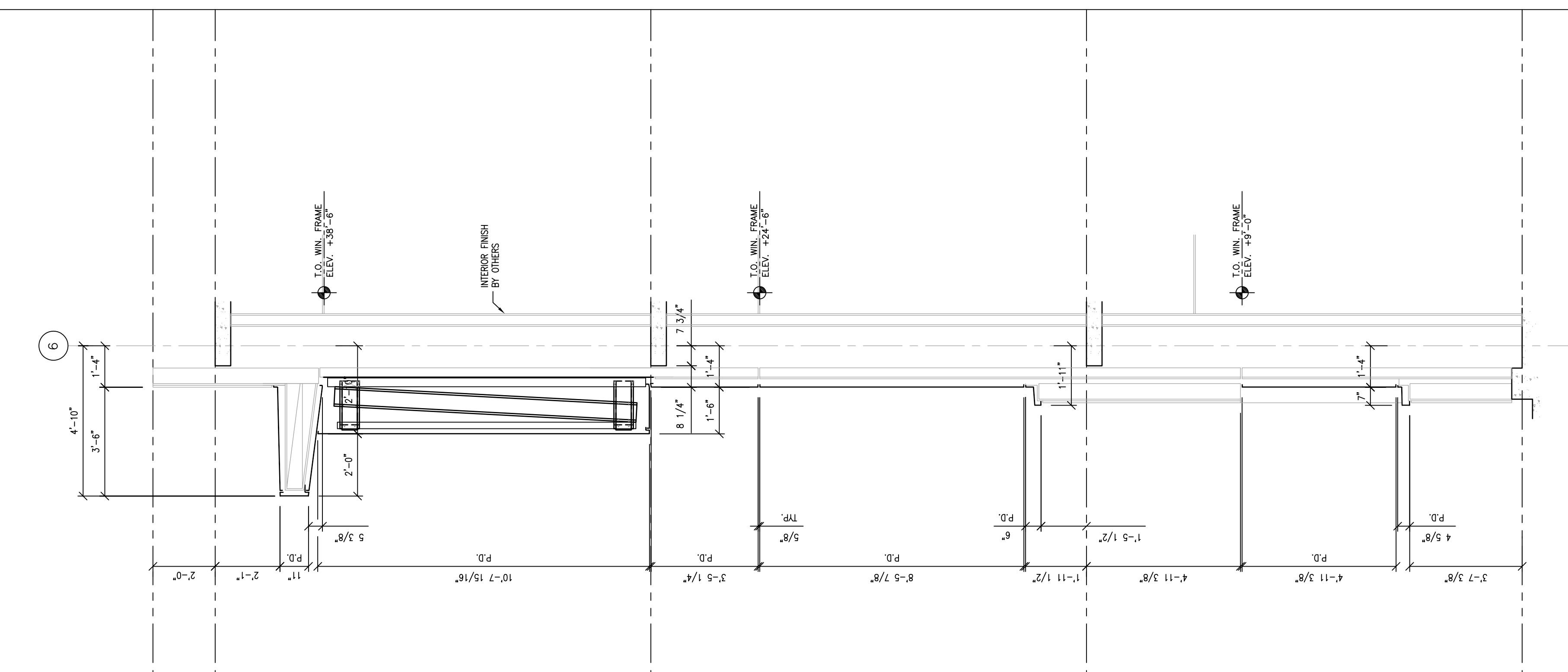


3 SOUTH PARTIAL PLAN @ FLR. 1  
SCALE: 3/8"=1'-0"  
ARCH. REF.: 1/A3.11



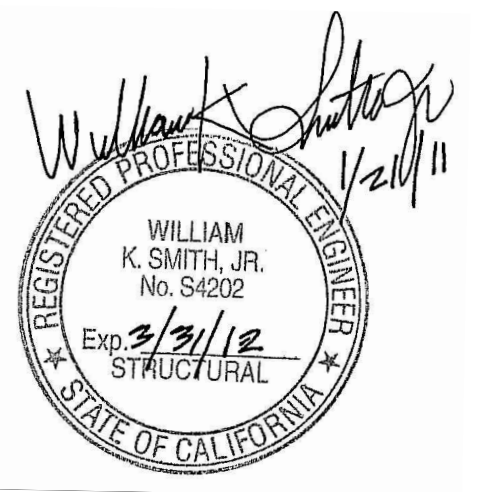
4 SOUTH PARTIAL PLAN @ FLR. 1  
SCALE: 3/8"=1'-0"  
ARCH. REF.: 1/A3.11

5 SECTION @ COL. COVER  
SCALE: 3/8"=1'-0"  
ARCH. REF.: 3/A3.31



LEGEND

[Symbol]	GLASS TRANSPARENT	(C.2) (C.28)
[Symbol]	GLASS TRANSLUCENT	(C.23)
[Symbol]	GLASS SPANDREL	(C.25)
[Symbol]	ALUMINUM PANELS	(C.27)
[Symbol]	CORUGATED PANELS	
[Symbol]	REFERENCING REQUIRED	

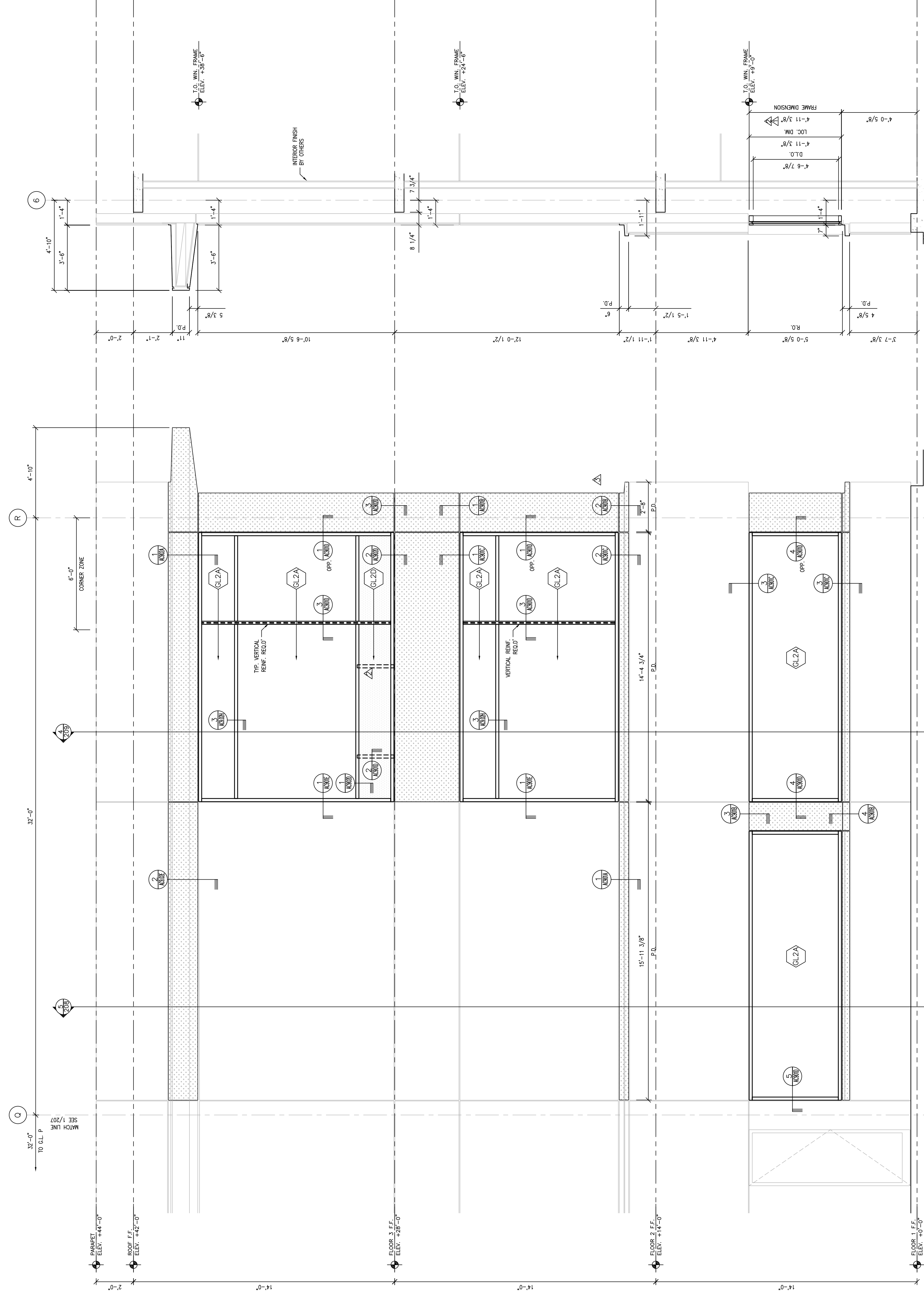
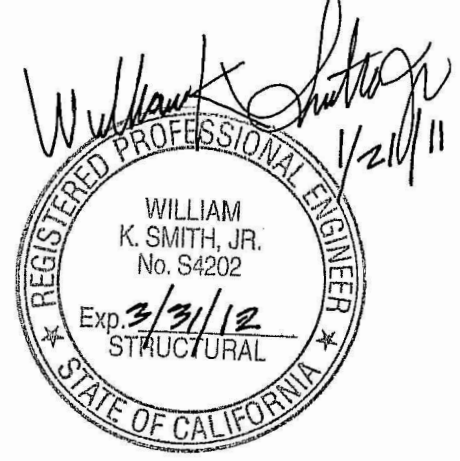


C/S ERECTORS INC. DIVISOR OF ARCHITECTURAL PANEL SYSTEMS  
 License No. 070606  
 2500 OLD CROFT CANYON RD., SUITE. 320  
 SAN MATEO, CA 94403  
 TEL: (925) 820-8113 FAX: (925) 820-6987

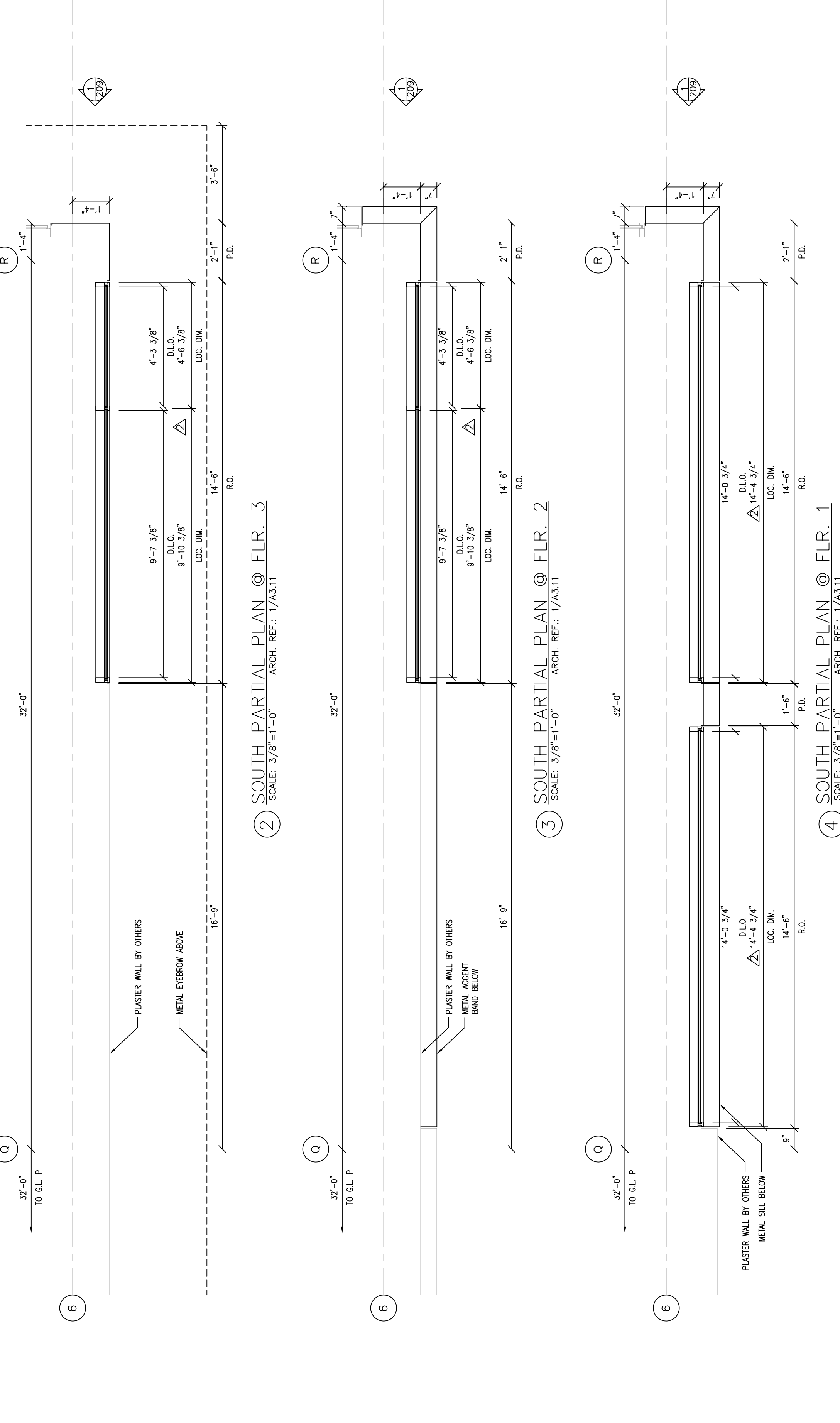
DATE: 05/30/08  
 SCALE: 3/8" = 1'-0"  
 DRAWN BY: CDC  
 JOB # D01065  
 SHEET # 207  
 OF SHEETS

COLLEGE OF SAN MATEO  
 BUILDING 5N  
 1700 WEST HILLSDALE BOULEVARD  
 SAN MATEO, CA. 94402

NO.	DATE	REVISION DESCRIPTION
4	10/15/10	AS BUILT
3	03-26-10	FOR RECORD
2	03-18-09	SGH, ARCH. C/S REV.
-	-	-

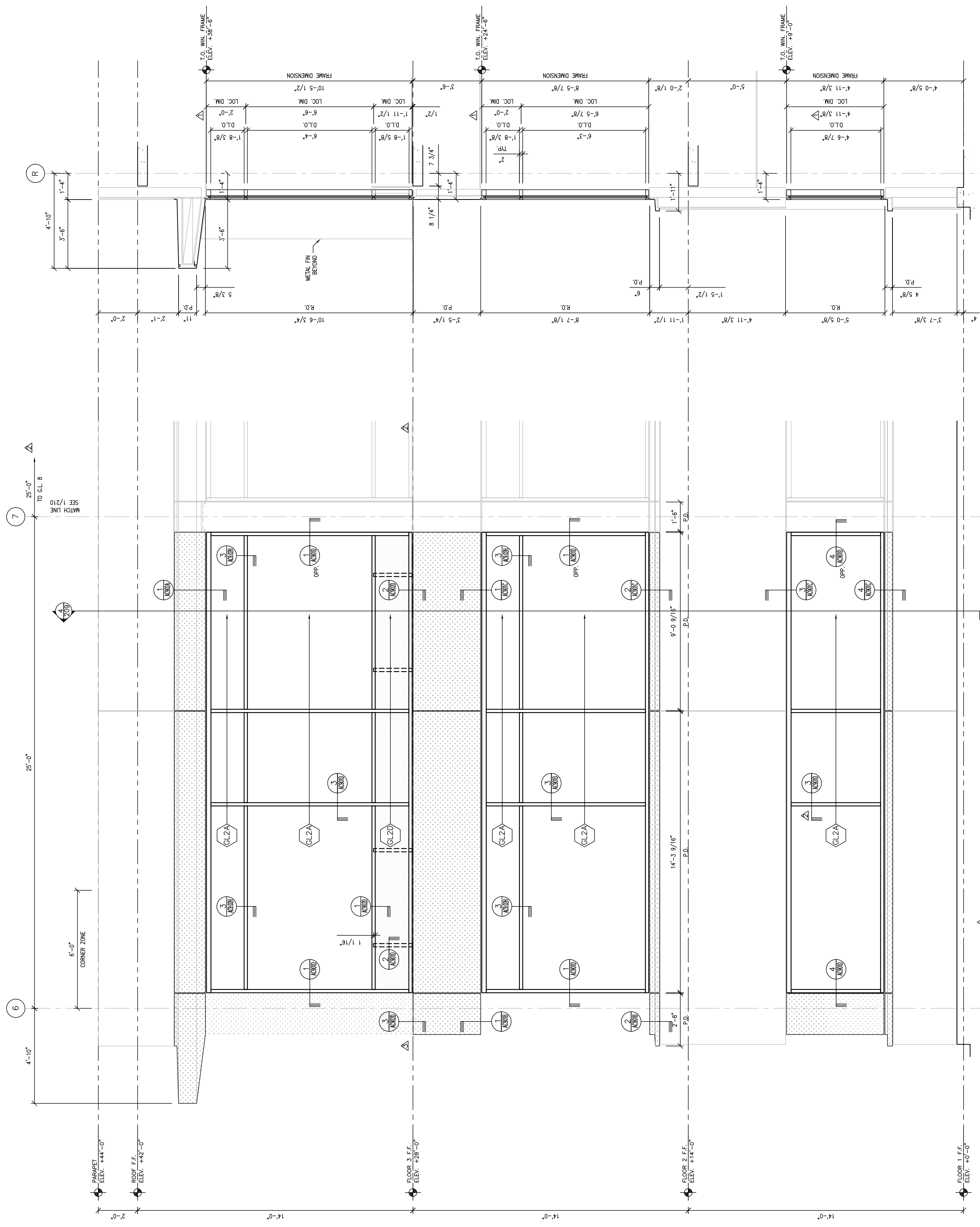


5 SECTION @ PLASTER  
SCALE: 3/8"=1'-0"  
ARCH. REF.: 2/A3.37

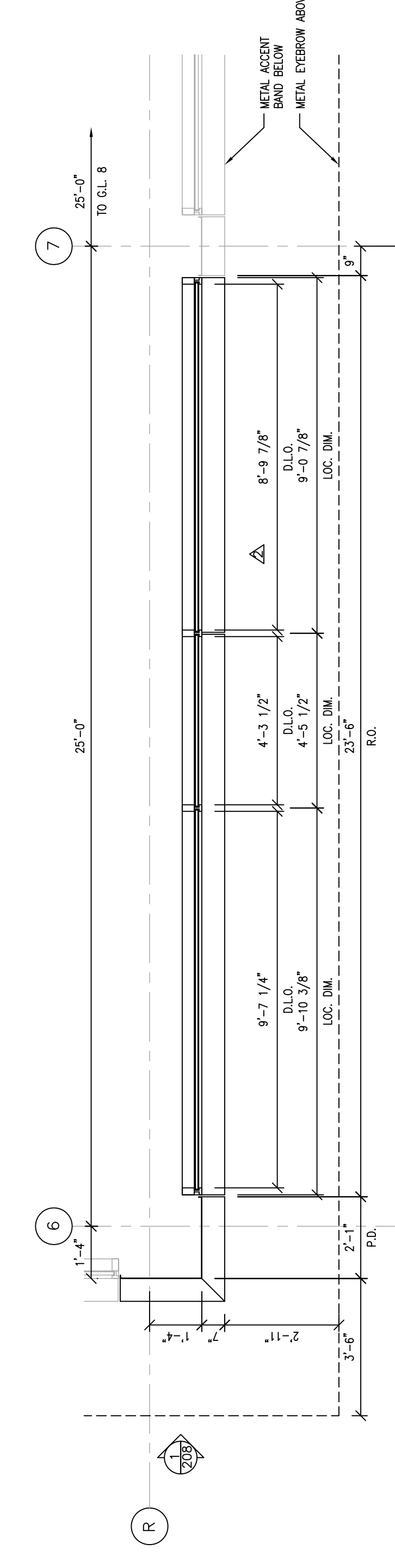


LEGEND

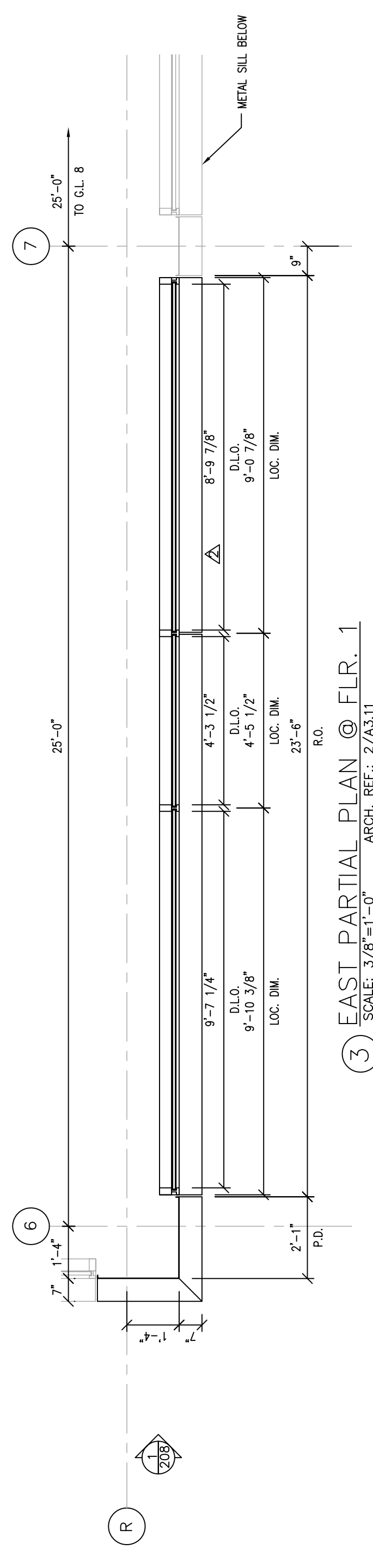
	GLASS TRANSPARENT
	GLASS TRANSLUCENT
	GLASS SPANDEL
	ALUMINUM PANELS
	CORRUGATED PANELS
	FINISHING REQUIRED



1 EAST PARTIAL ELEVATION  
SCALE: 3/8"=1'-0" ARCH. REF.: 2/A311

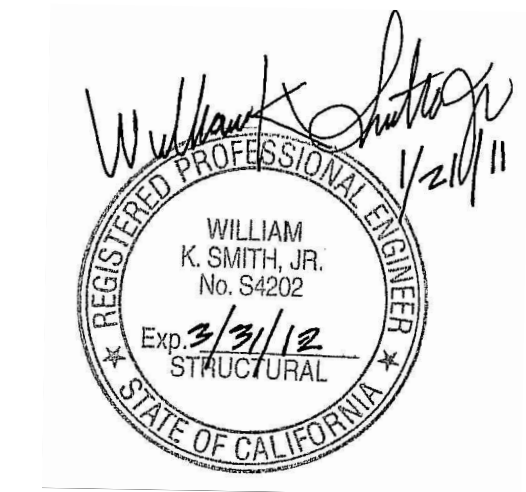


2 EAST PARTIAL PLAN @ FLR. 2  
SCALE: 3/8"=1'-0" ARCH. REF.: 2/A311



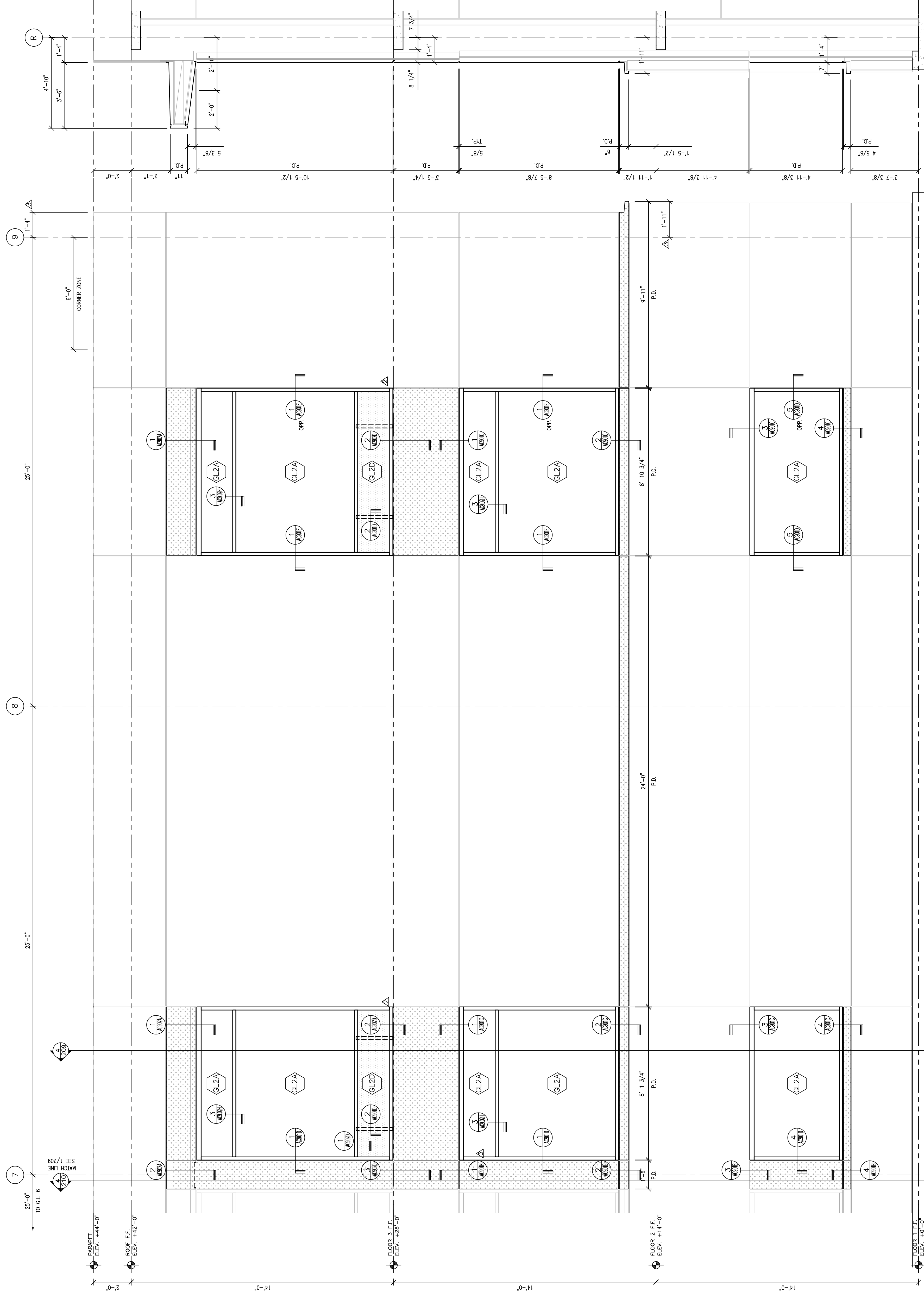
3 EAST PARTIAL PLAN @ FLR. 1  
SCALE: 3/8"=1'-0" ARCH. REF.: 2/A311

4 SECTION @ WINDOW  
SCALE: 3/8"=1'-0" ARCH. REF.:



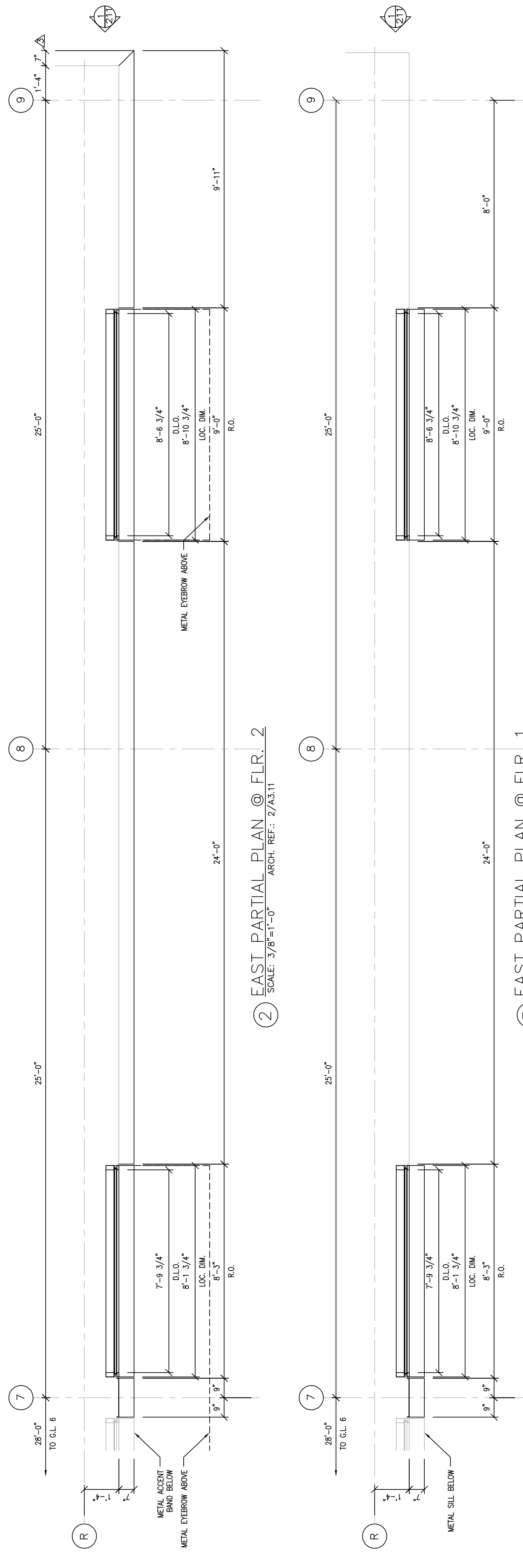
LEGEND

[Symbol]	GLASS TRANSPARENT	(CL.2)
[Symbol]	GLASS TRANSLUCENT	(CL.3)
[Symbol]	GLASS SPANDREL	(CL.4)
[Symbol]	ALUMINUM PANELS	(CL.5)
[Symbol]	CORUGATED PANELS	(CL.6)
[Symbol]	ENGINEERING REQUIRED	



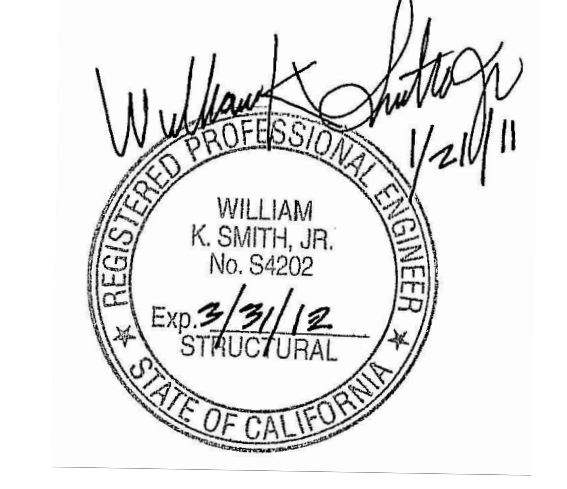
1 EAST PARTIAL ELEVATION  
SCALE: 3/8"=1'-0" ARCH. REF.: 2/A311

4 SECTION @ WINDOW  
SCALE: 3/8"=1'-0" ARCH. REF.:



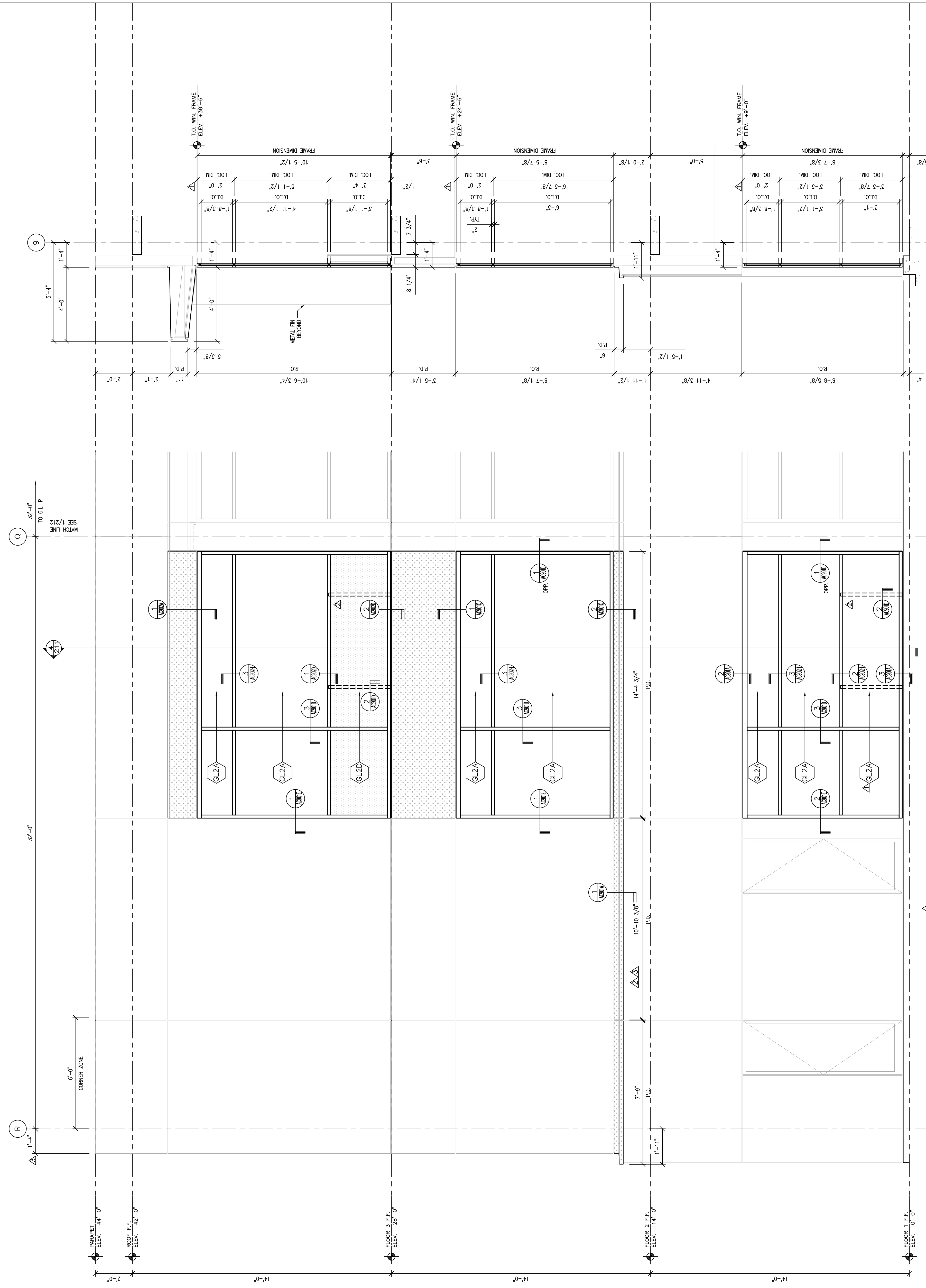
2 EAST PARTIAL PLAN @ FLR. 2  
SCALE: 3/8"=1'-0" ARCH. REF.: 2/A311

3 EAST PARTIAL PLAN @ FLR. 1  
SCALE: 3/8"=1'-0" ARCH. REF.: 2/A311

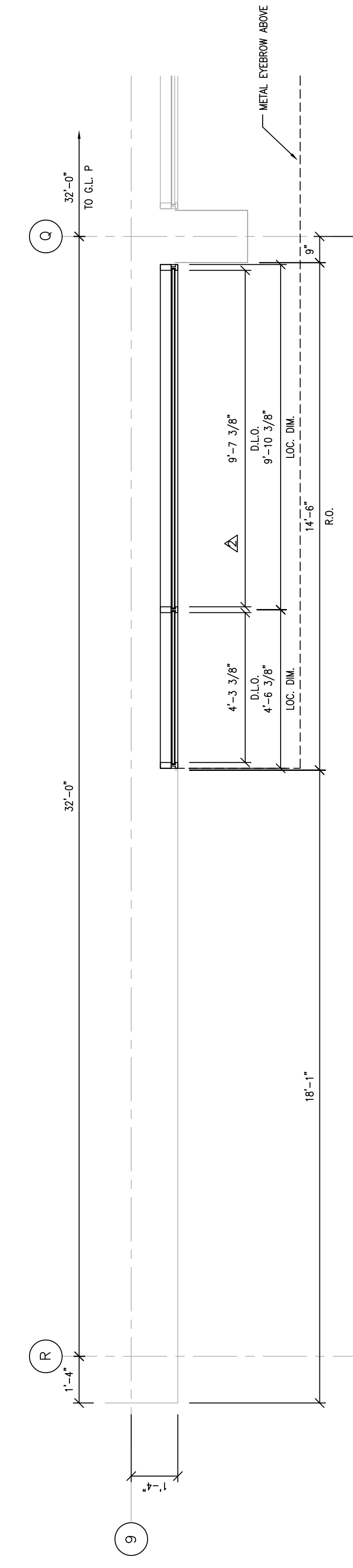


LEGEND

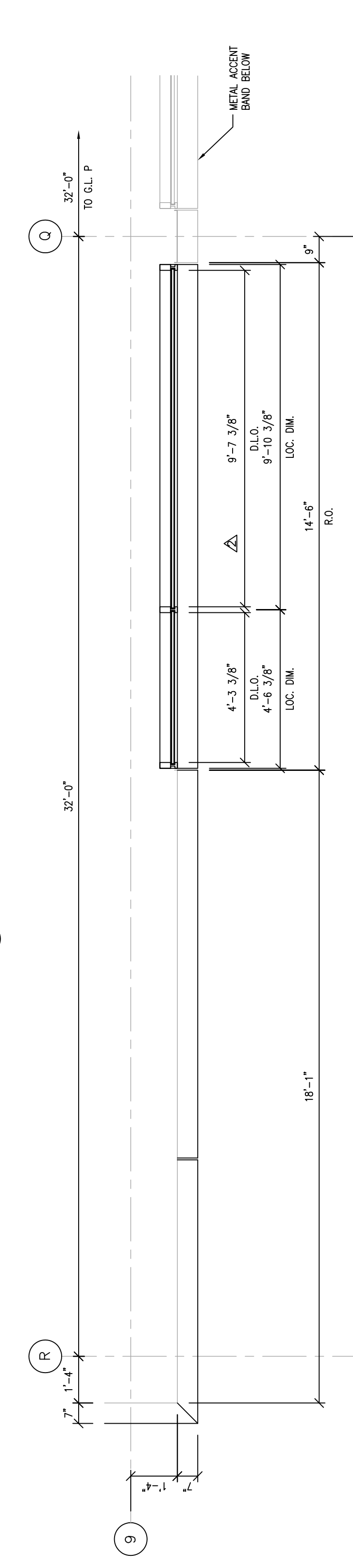
[Symbol]	GLASS TRANSPARENT
[Symbol]	GLASS TRANSLUCENT
[Symbol]	GLASS SPANDREL
[Symbol]	ALUMINUM PANELS
[Symbol]	CORUGATED PANELS
[Symbol]	PERFORMING REQUIRED



1 NORTH PARTIAL ELEVATION  
SCALE: 3/8"=1'-0" ARCH. REF.: 2/A3.12

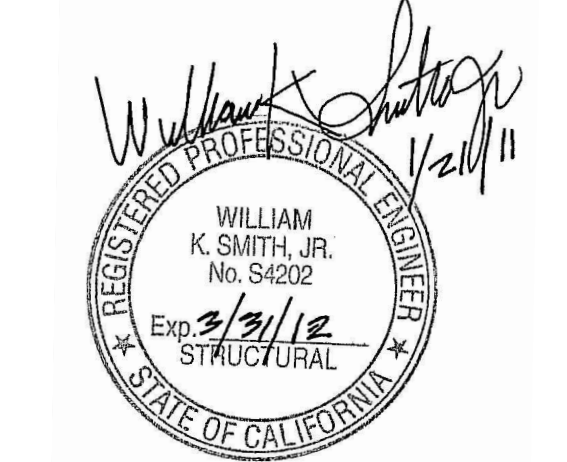


2 NORTH PARTIAL PLAN @ FLR. 3  
SCALE: 3/8"=1'-0" ARCH. REF.: 1/A3.12



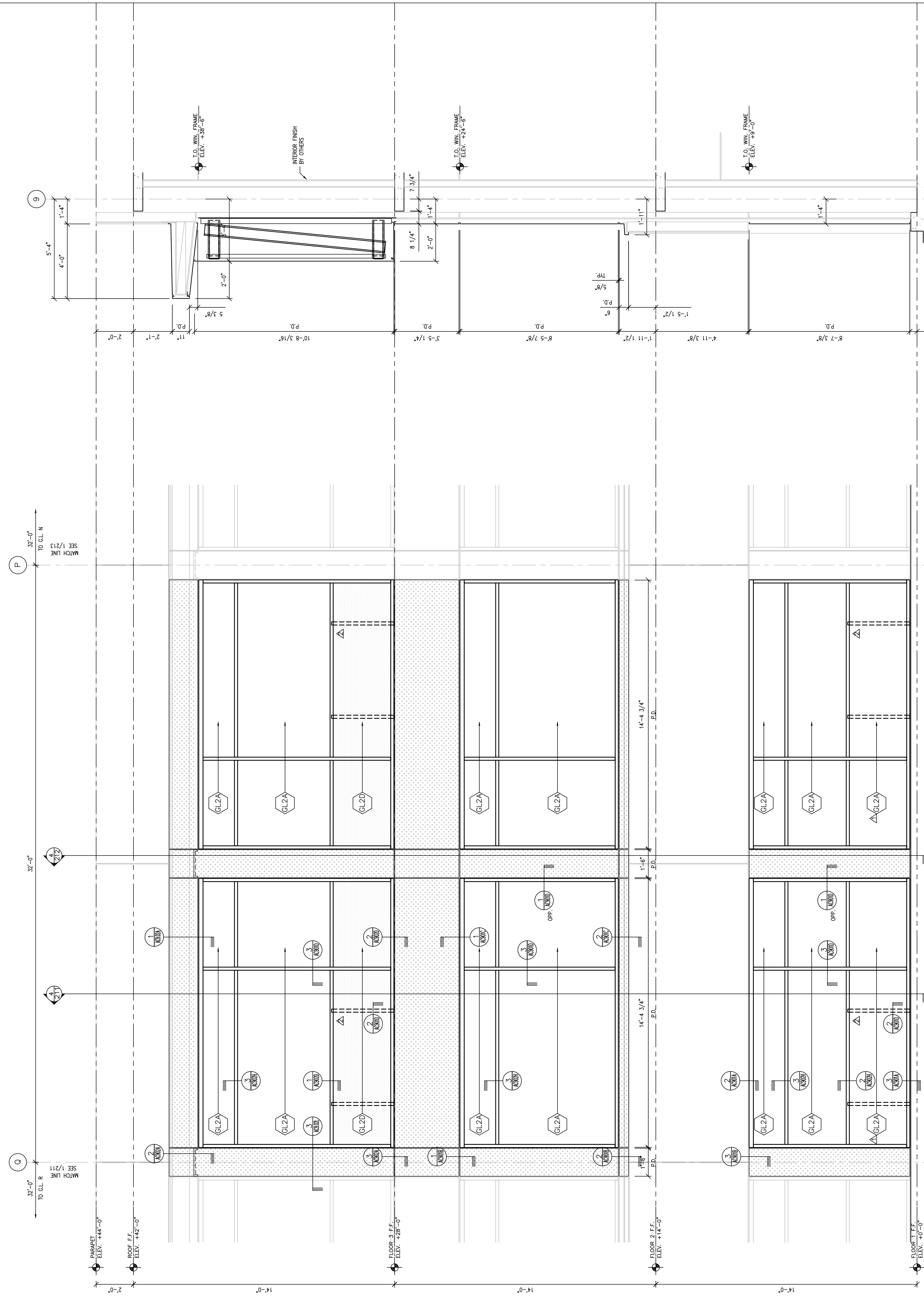
3 NORTH PARTIAL PLAN @ FLR. 2  
SCALE: 3/8"=1'-0" ARCH. REF.: 1/A3.12

4 SECTION @ WINDOW  
SCALE: 3/8"=1'-0" ARCH. REF.: 2/A3.31



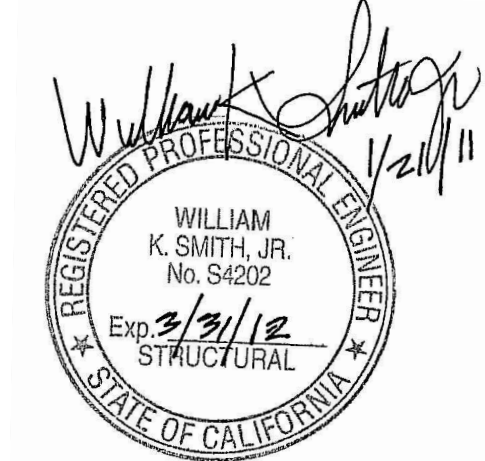
LEGEND

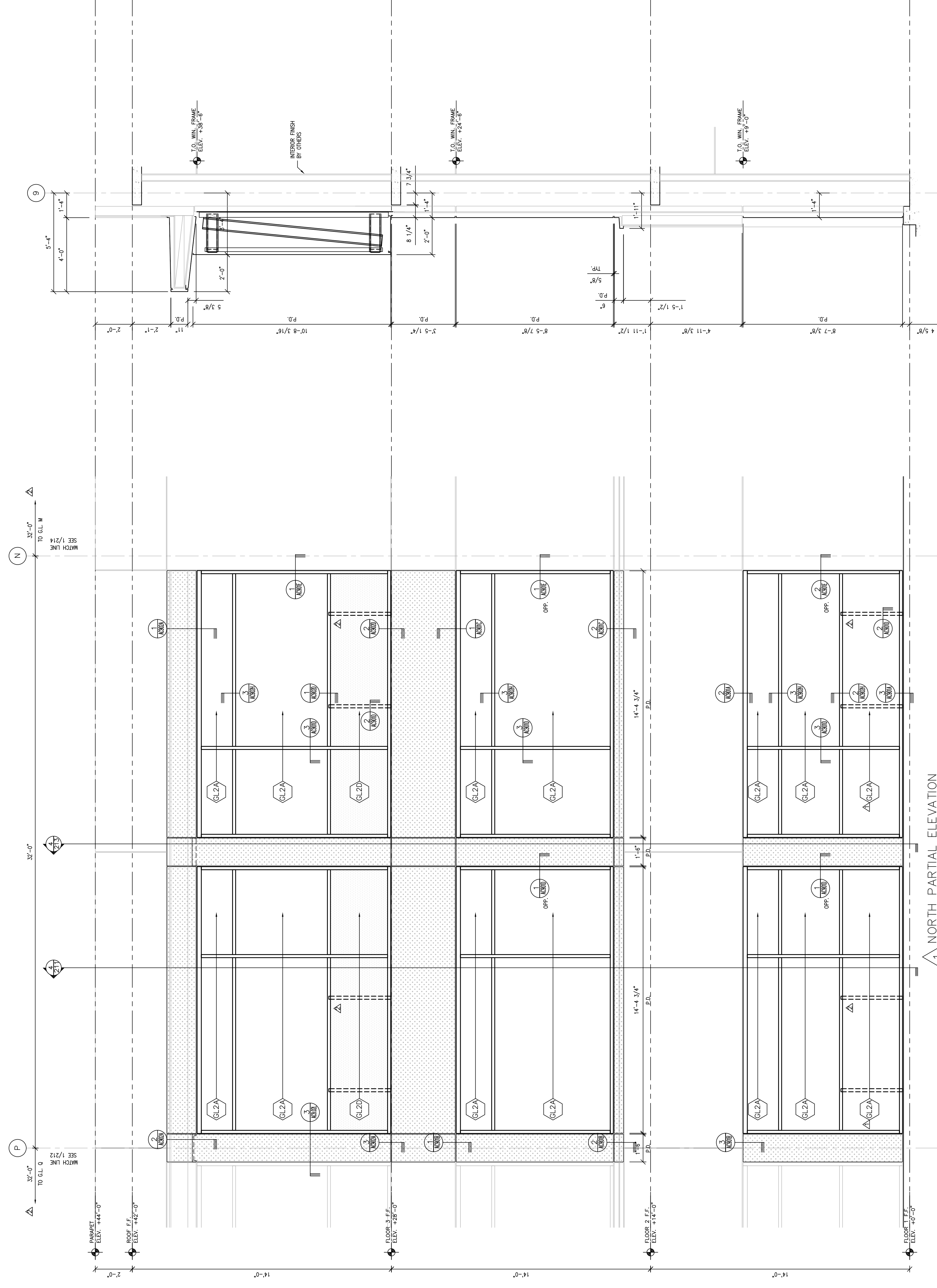
	GLASS TRANSLUCENT
	GLASS TRANSPARENT
	GLASS SPANDEL
	ALUMINUM PANELS
	CORRUGATED PANELS
	PERFORATING REQUIRED



**LEGEND**

	GLASS TRANSLUCENT
	GLASS TRANSLUCENT
	GLASS SPANDELT
	ALUMINUM PANELS
	CORRUGATED PANELS
	ENFORCING REQUIRED





SECTION @ MTL PNL  
SCALE: 3/8"=1'-0"  
ARCH. REF.: 7/A313

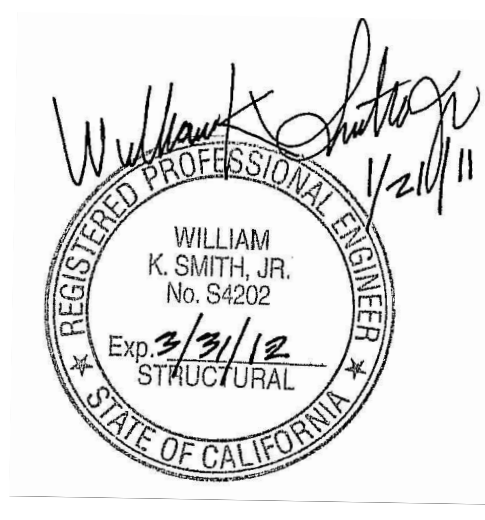
NORTH PARTIAL ELEVATION  
SCALE: 3/8"=1'-0"  
ARCH. REF.: 1/A312

NORTH PARTIAL PLAN @ FLR. 3  
SCALE: 3/8"=1'-0"  
ARCH. REF.: 1/A312

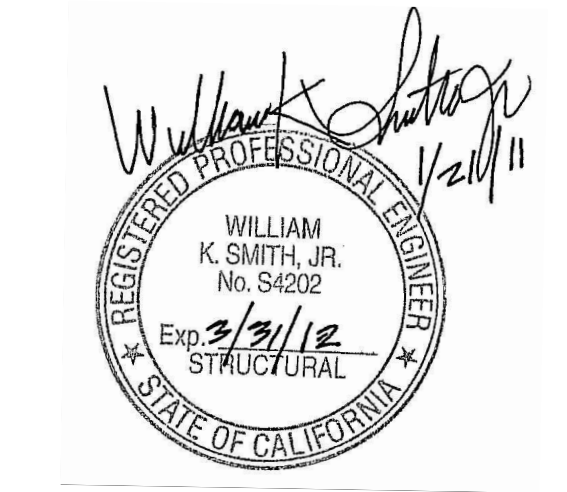
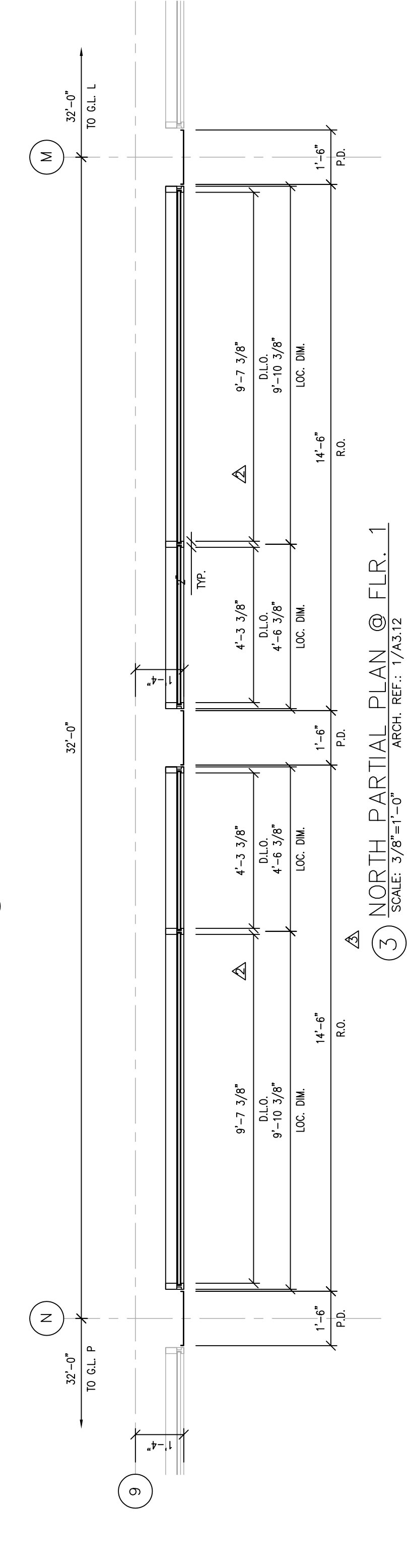
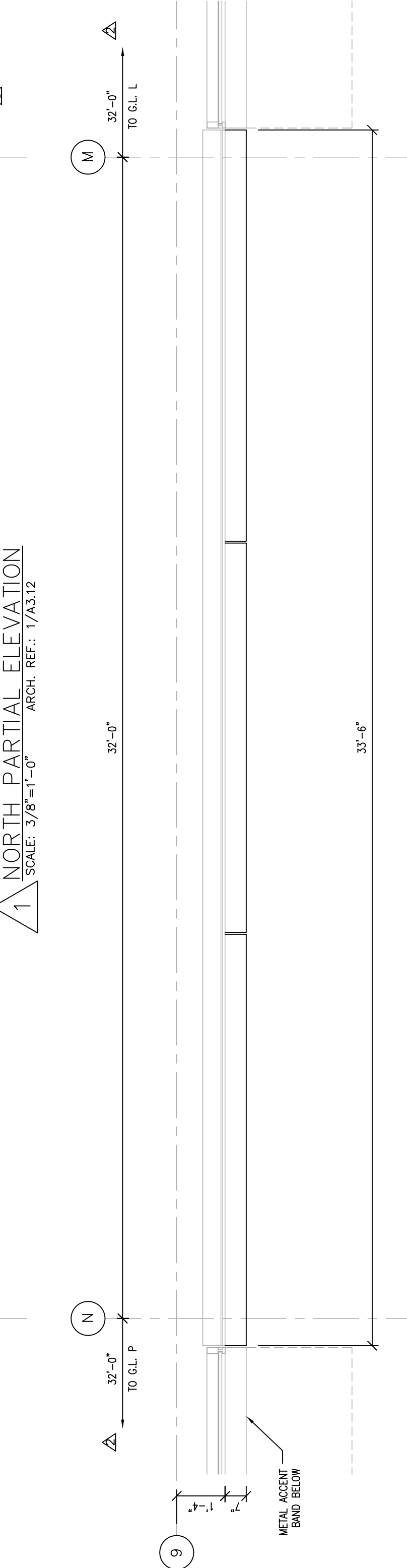
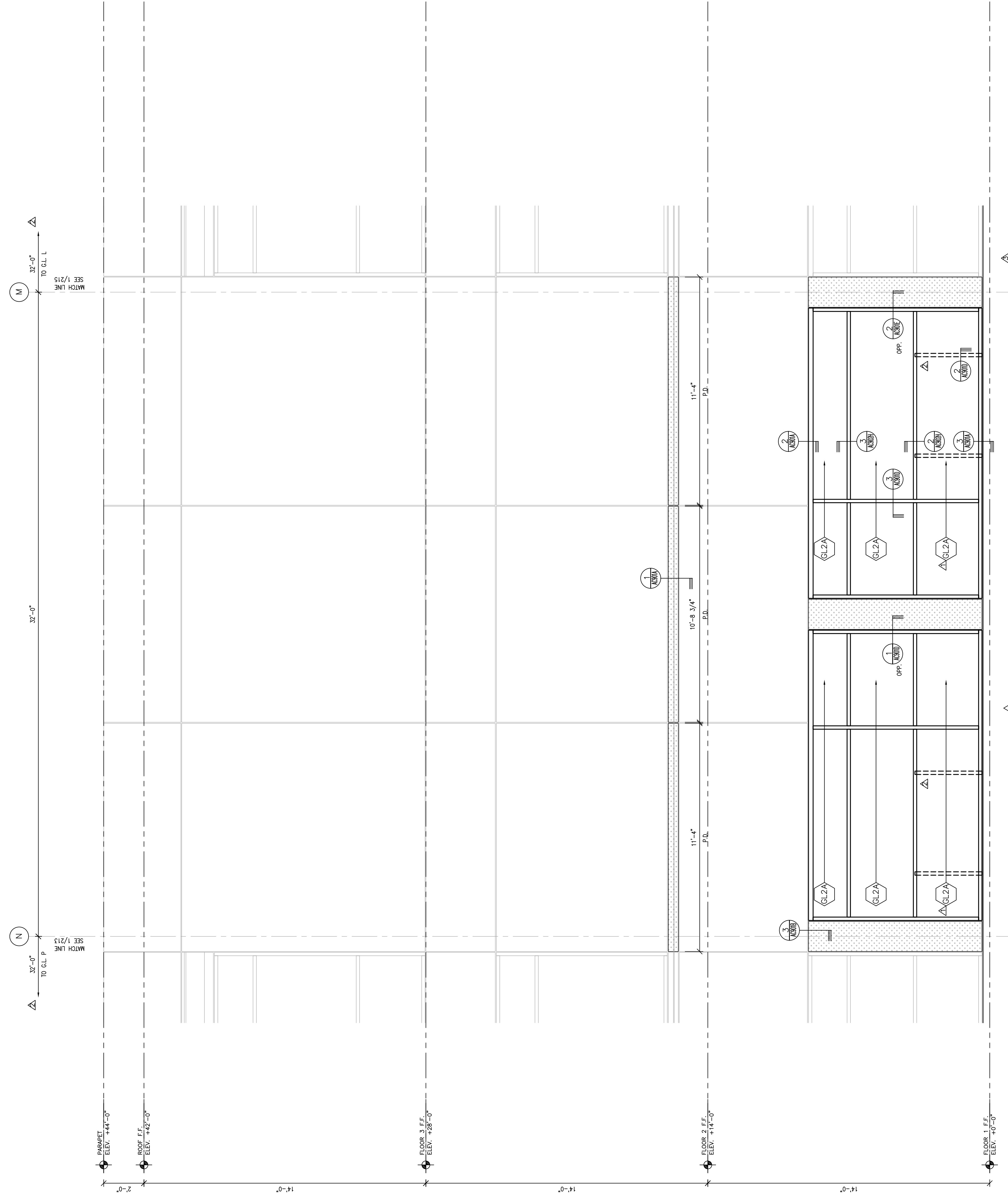
NORTH PARTIAL PLAN @ FLR. 2  
SCALE: 3/8"=1'-0"  
ARCH. REF.: 1/A312

LEGEND

	GLASS TRANSPARENT
	GLASS TRANSPARENT
	GLASS SPANDELT
	ALUMINUM PANELS
	CORRUGATED PANELS
	ENFORCING REQUIRED

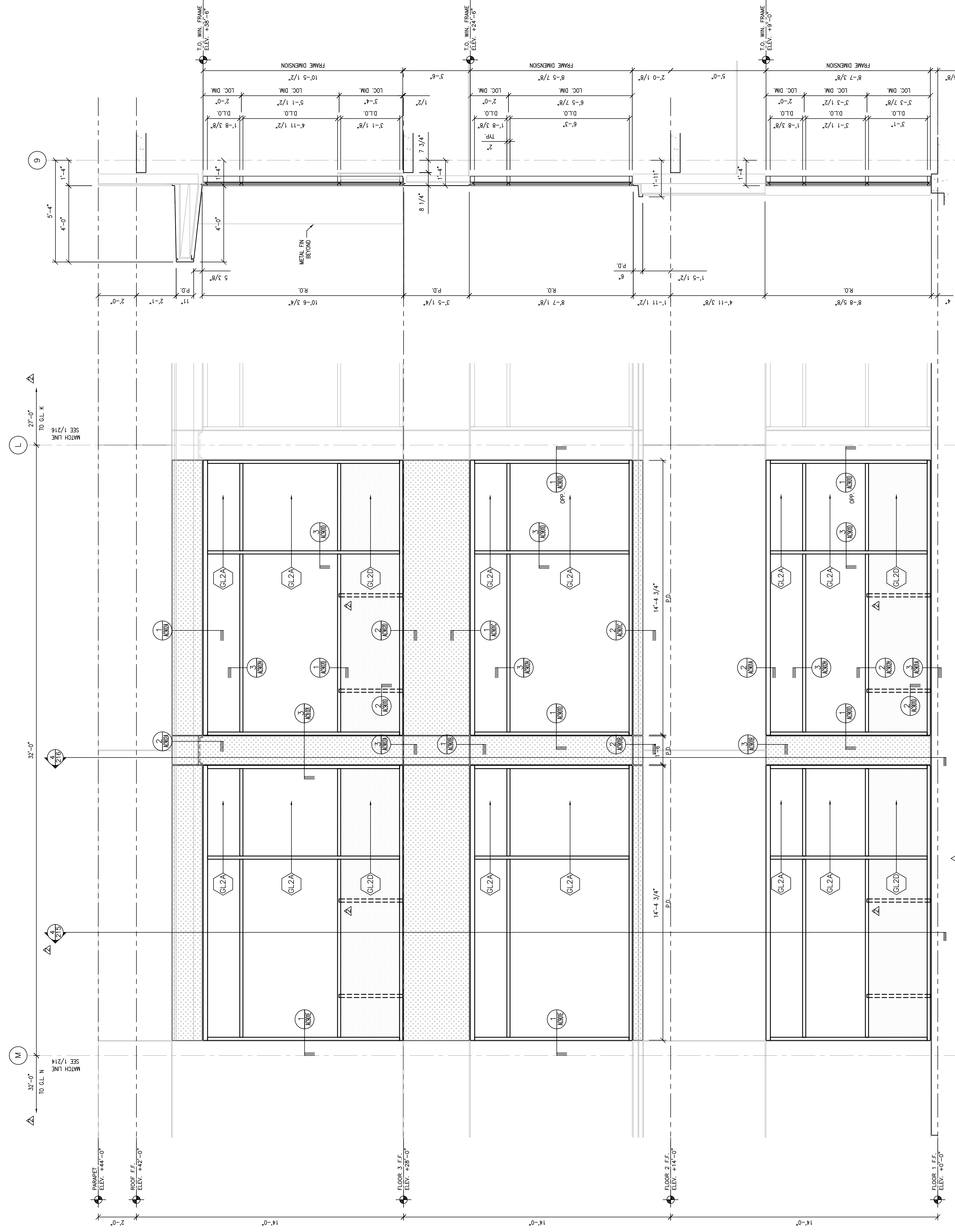




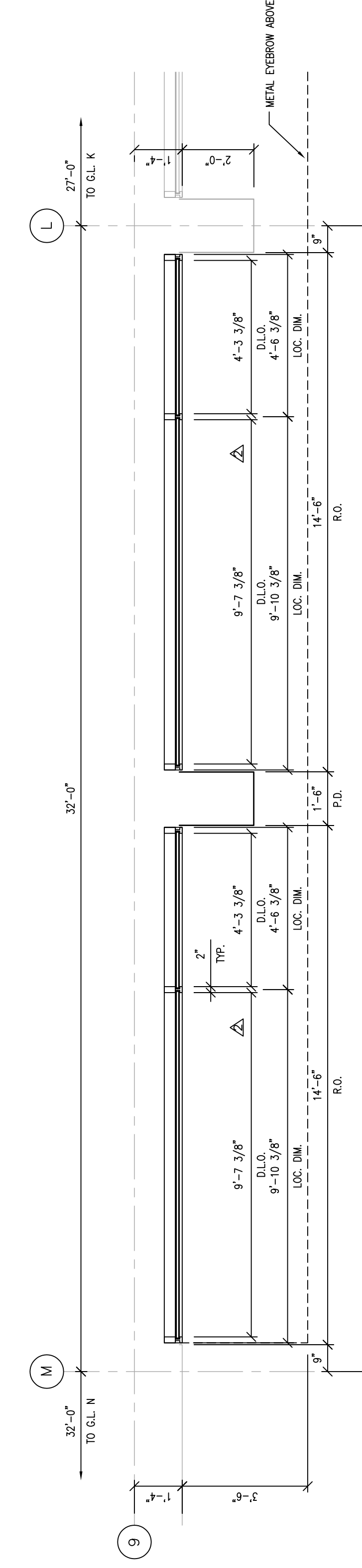


LEGEND

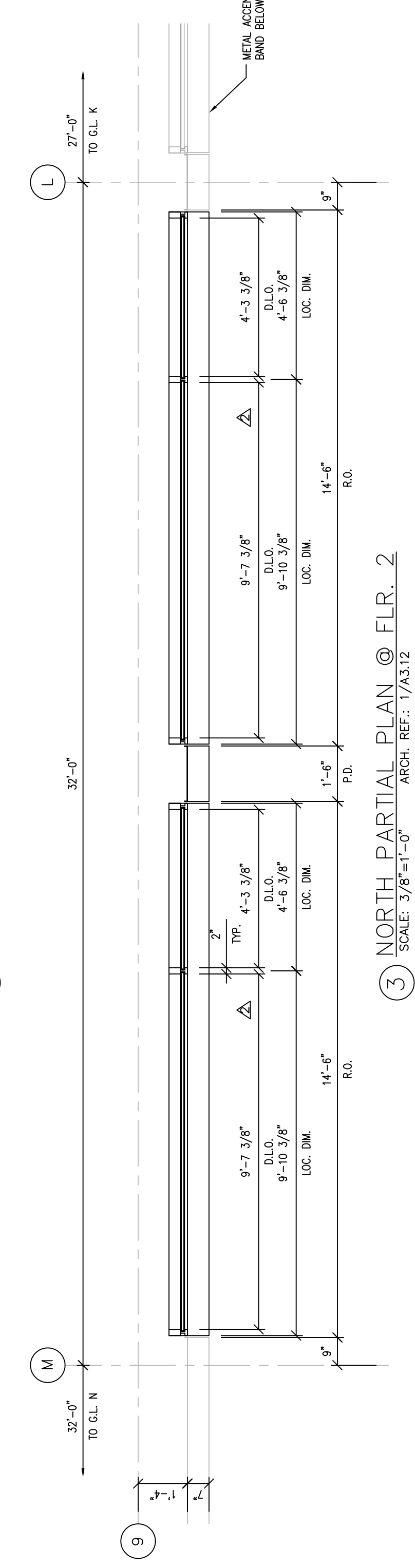
	GLASS TRANSLUCENT
	GLASS TRANSLUCENT
	GLASS SPANDELT
	ALUMINUM PANELS
	CORRUGATED PANELS
	ENFORCING REQUIRED



1 NORTH PARTIAL ELEVATION  
SCALE: 3/8"=1'-0" ARCH. REF: 1/A3.12

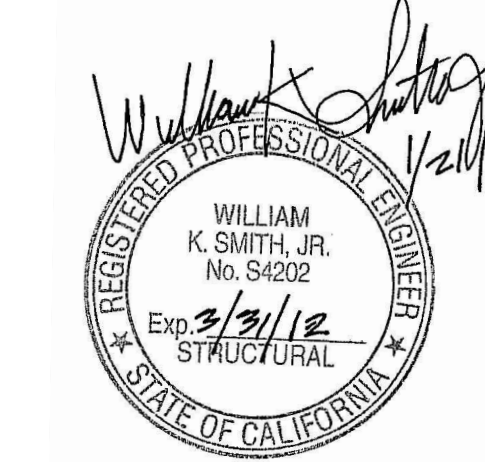


2 NORTH PARTIAL PLAN @ FLR. 3  
SCALE: 3/8"=1'-0" ARCH. REF: 1/A3.12



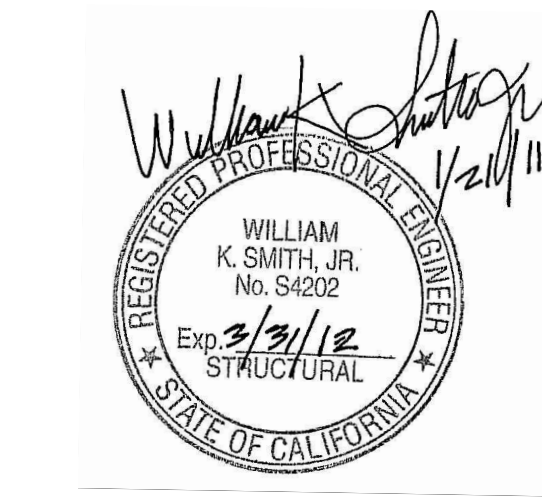
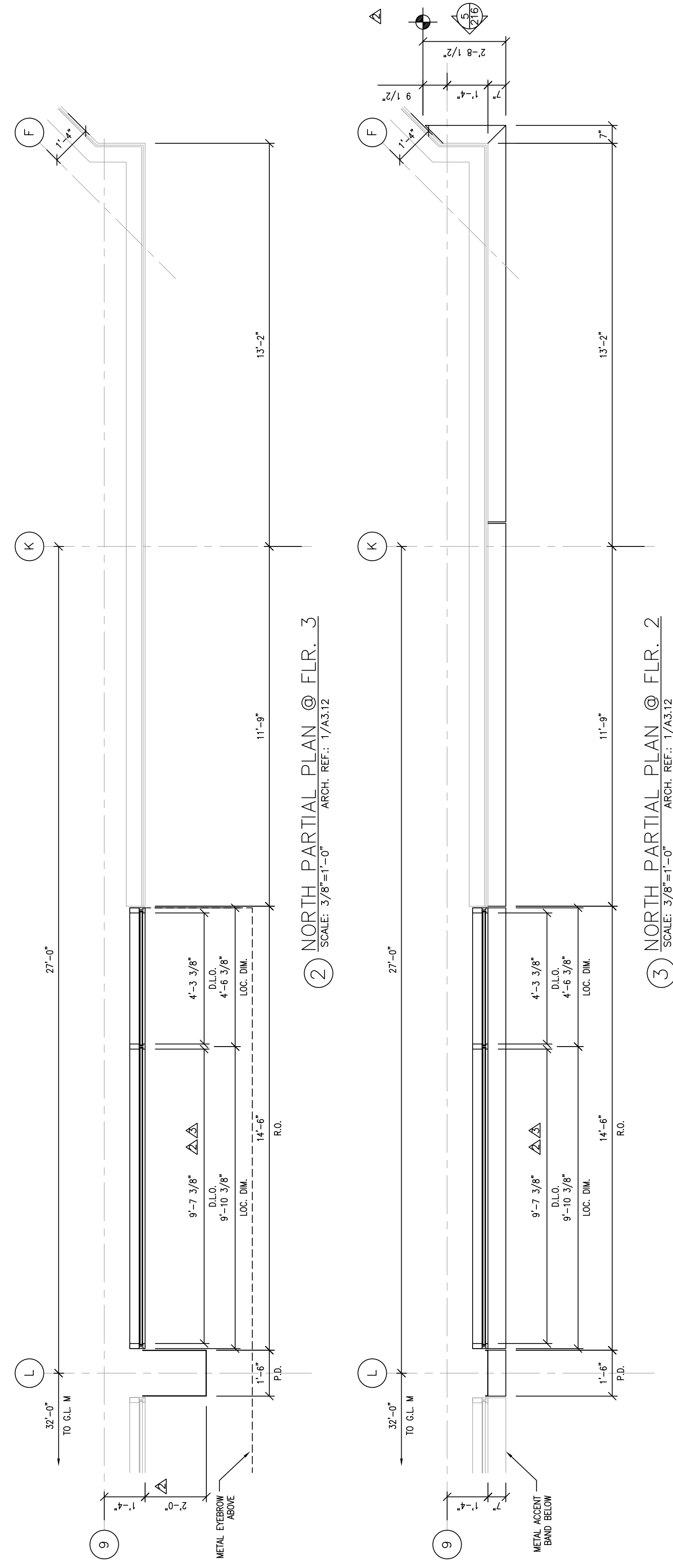
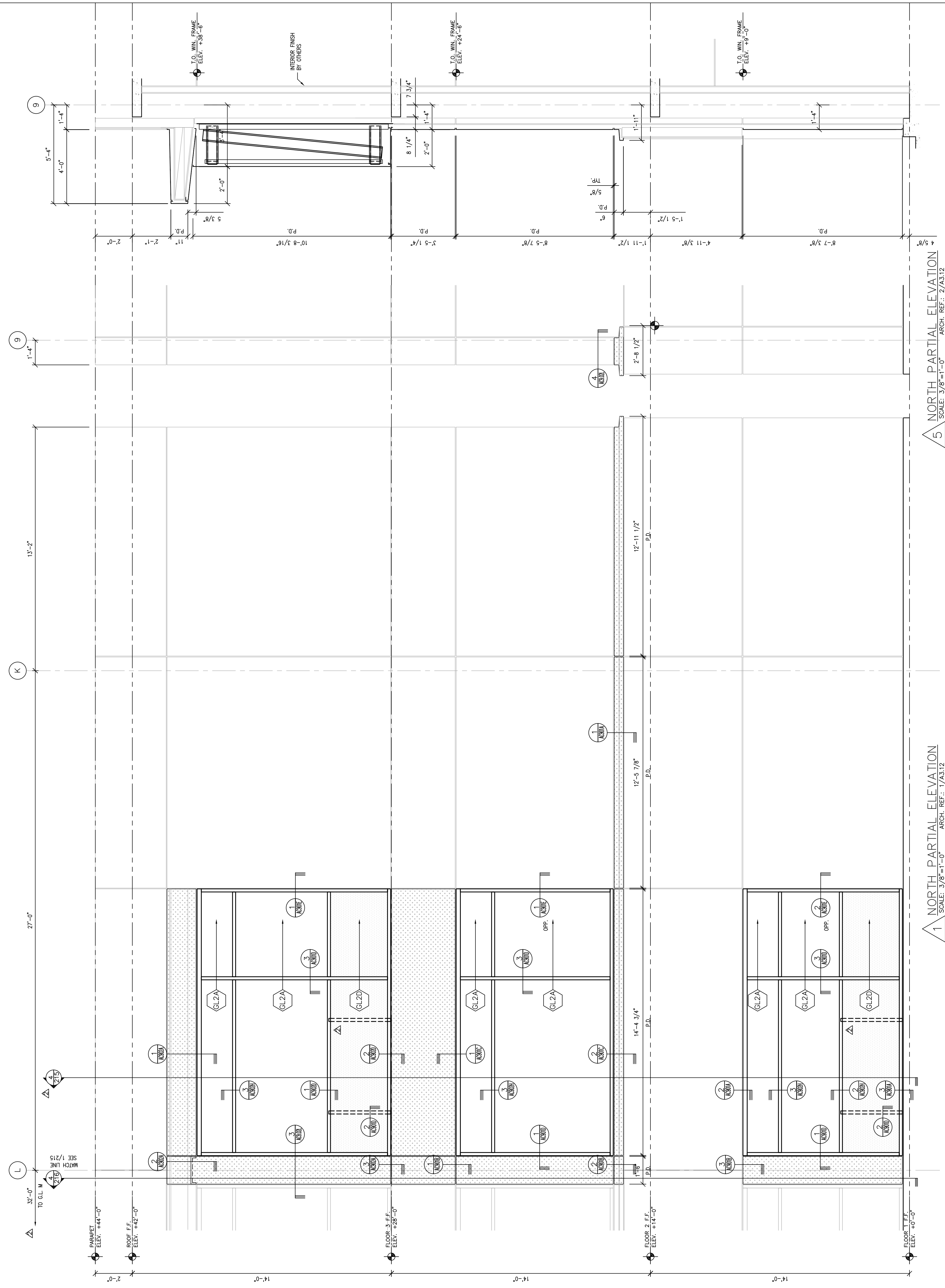
3 NORTH PARTIAL PLAN @ FLR. 2  
SCALE: 3/8"=1'-0" ARCH. REF: 1/A3.12

4 SECTION @ WINDOW  
SCALE: 3/8"=1'-0" ARCH. REF: 2/A3.31



LEGEND

	GLASS TRANSPARENT
	GLASS TRANSPARENT
	GLASS SPANDEL
	ALUMINUM PANELS
	CORRUGATED PANELS
	PERFORATING REQUIRED



LEGEND

	GLASS TRANSPARENT
	GLASS TRANSLUCENT
	GLASS SPANDELS
	ALUMINUM PANELS
	CORRUGATED PANELS
	PERFORATING REQUIRED

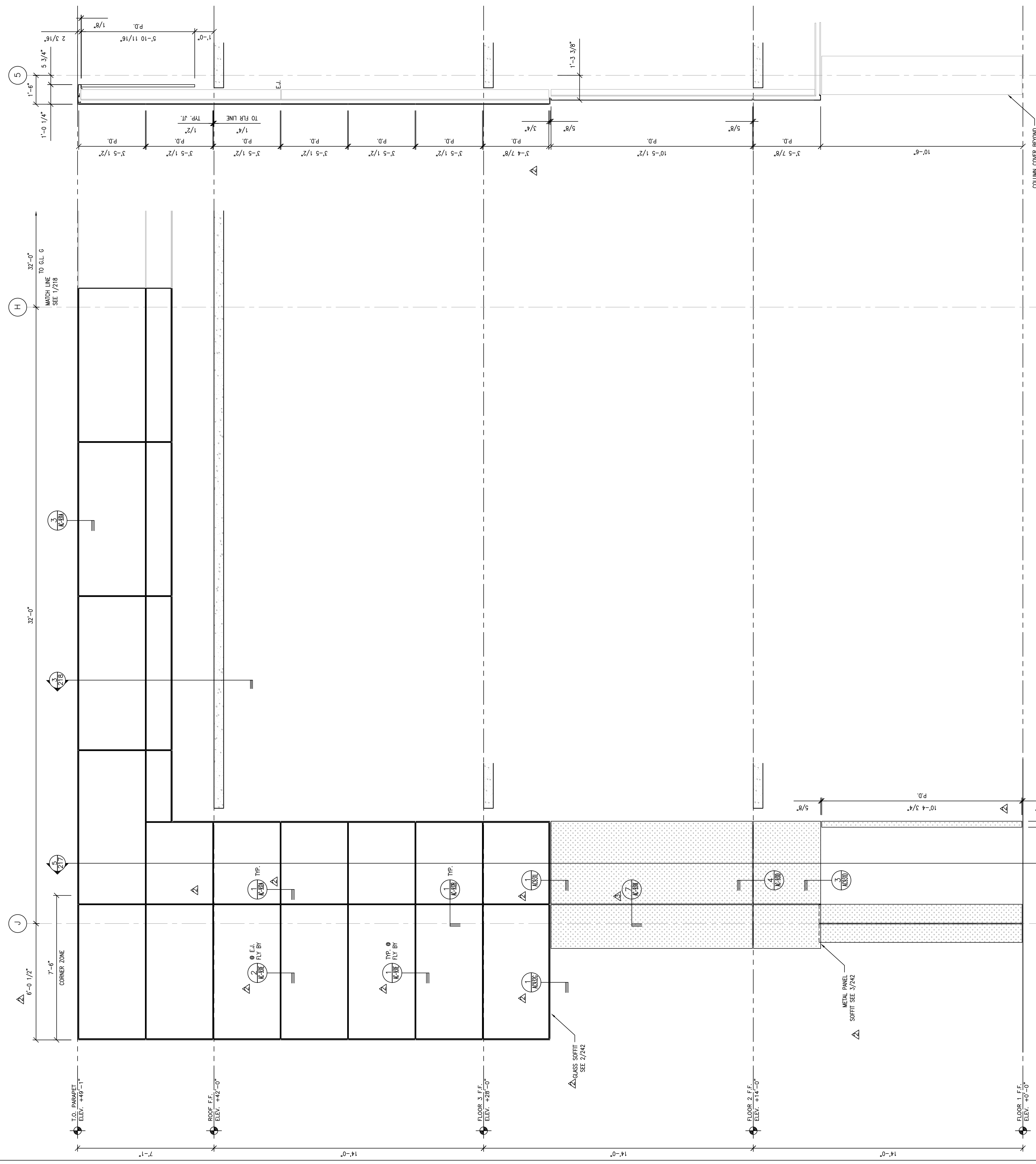
C/S Erectors Inc. DIVISOR OF ARCHITECTURAL PLANS SYSTEMS

License No. 076066  
 2500 OLD CROFT CANYON RD. SUITE. 320  
 SAN MATEO, CA 94403  
 TEL: (925) 820-6113 FAX: (925) 820-6987

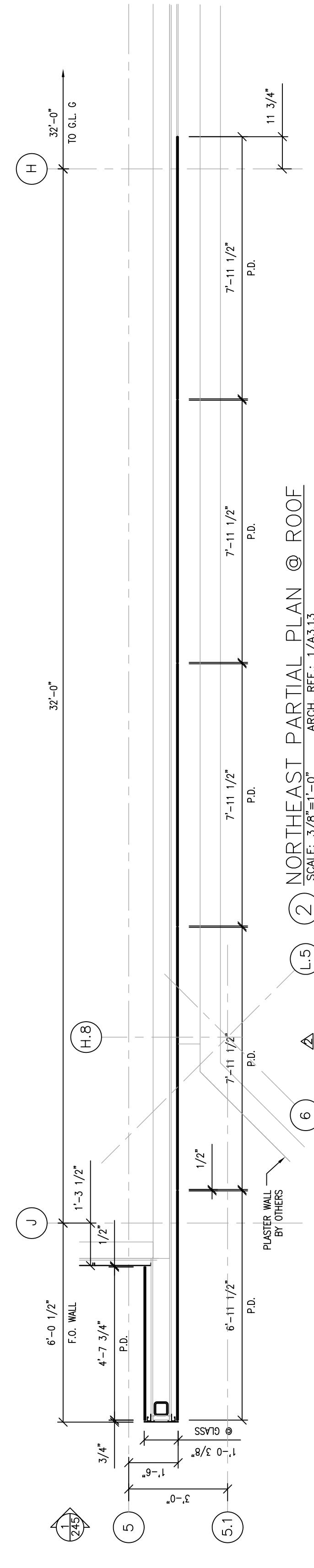
DATE: 05/30/08  
 SCALE: 3/8" = 1'-0"  
 DRAWN BY: CDC  
 JOB # D01065  
 SHEET # 216  
 OF SHEETS

COLLEGE OF SAN MATEO  
 BUILDING 5N  
 1700 WEST HILLSDALE BOULEVARD  
 SAN MATEO, CA. 94402

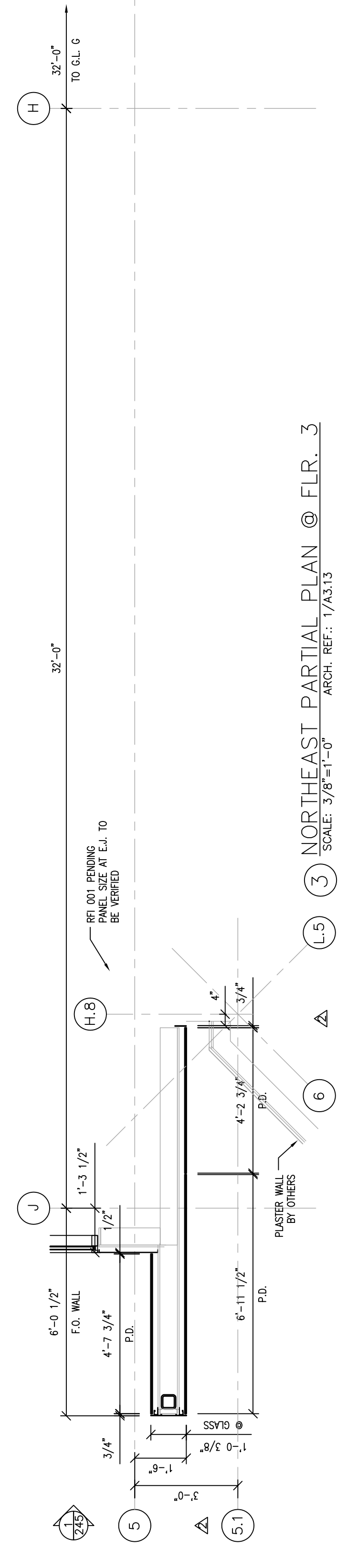
NO.	DATE	REVISION DESCRIPTION
4	10/15/10	AS BUILT
3	03-26-10	FOR RECORD
2	03-18-09	SGH, ARCH, C/S REV.
-	-	-



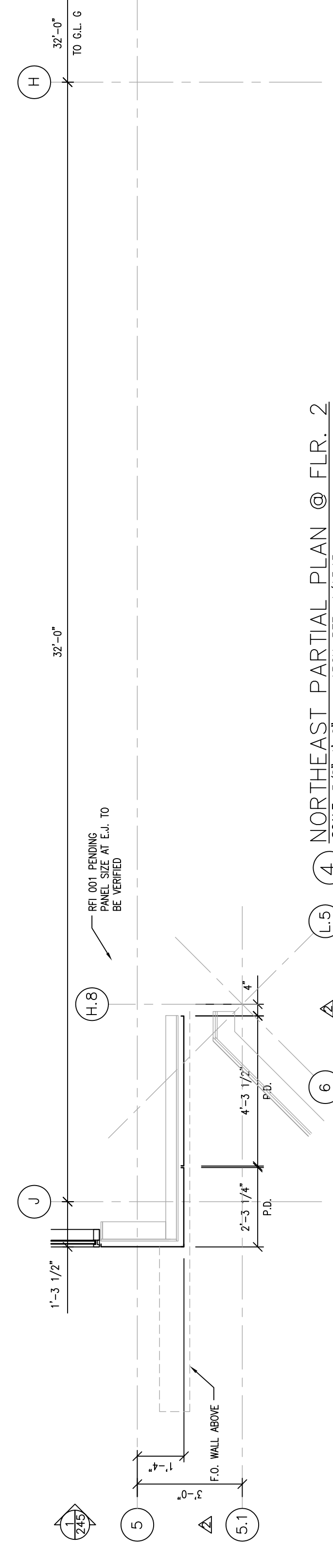
1 NORTHEAST PARTIAL ELEVATION  
SCALE: 3/8"=1'-0"  
ARCH. REF.: 1/A3.13



2 NORTHEAST PARTIAL PLAN @ ROOF  
SCALE: 3/8"=1'-0"  
ARCH. REF.: 1/A3.13



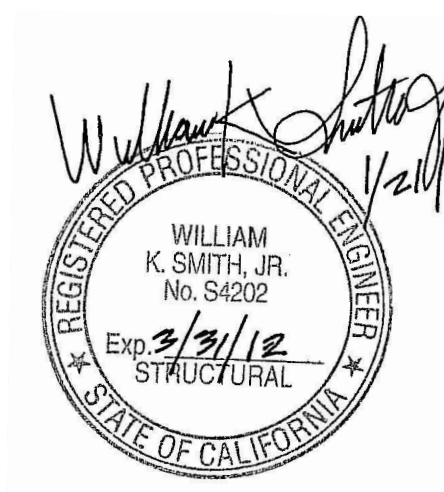
3 NORTHEAST PARTIAL PLAN @ FLR. 3  
SCALE: 3/8"=1'-0"  
ARCH. REF.: 1/A3.13

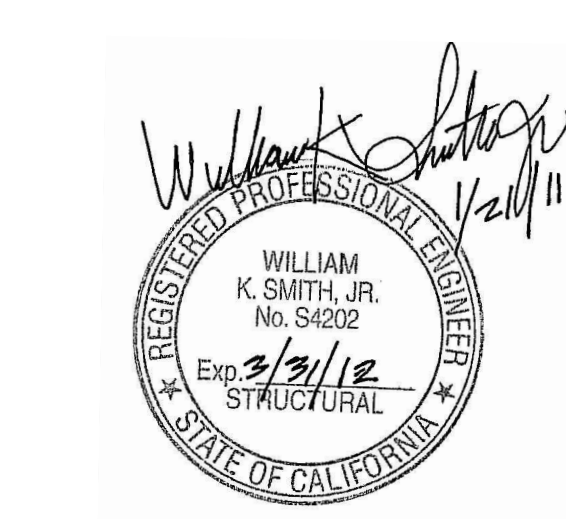
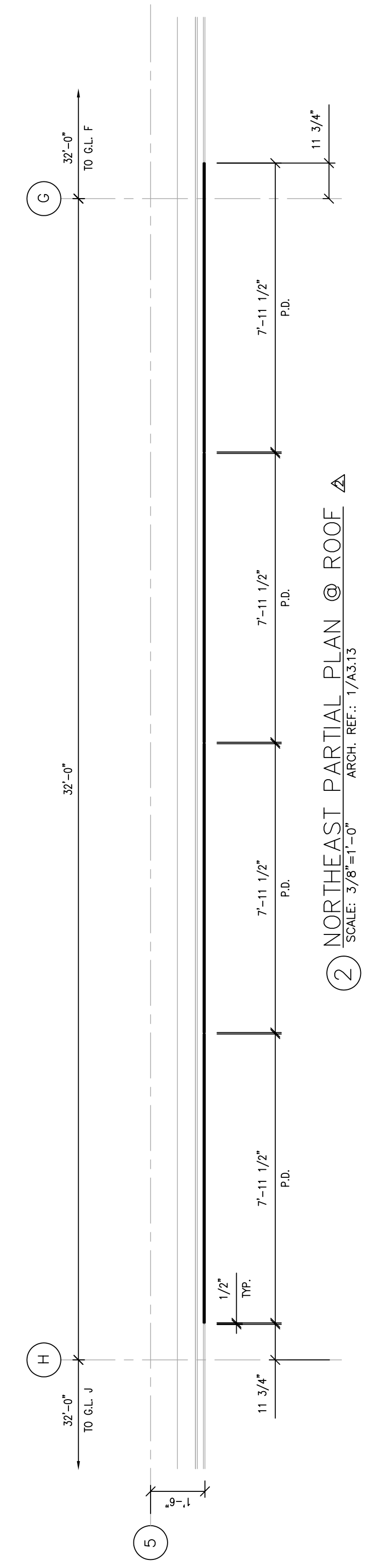
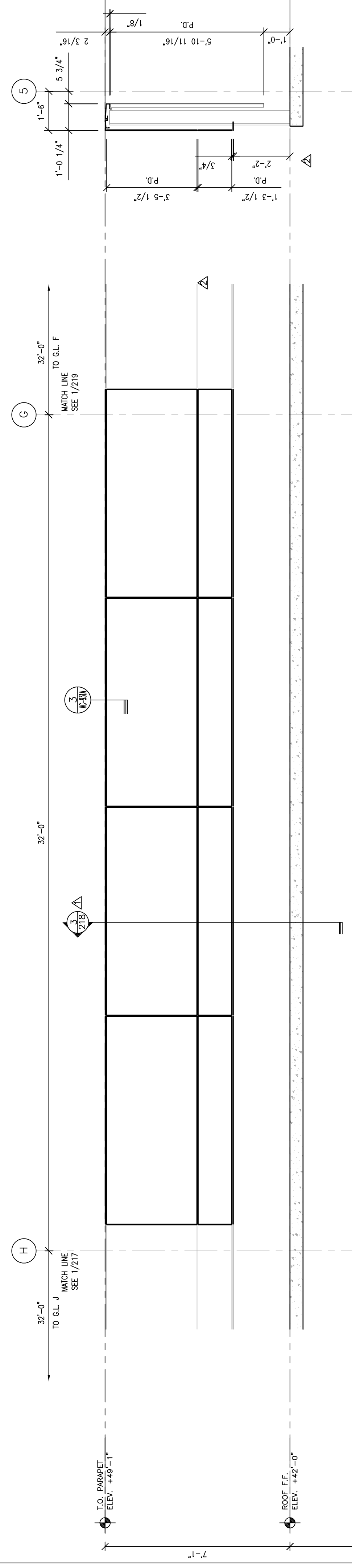


4 NORTHEAST PARTIAL PLAN @ FLR. 2  
SCALE: 3/8"=1'-0"  
ARCH. REF.: 1/A3.13

LEGEND

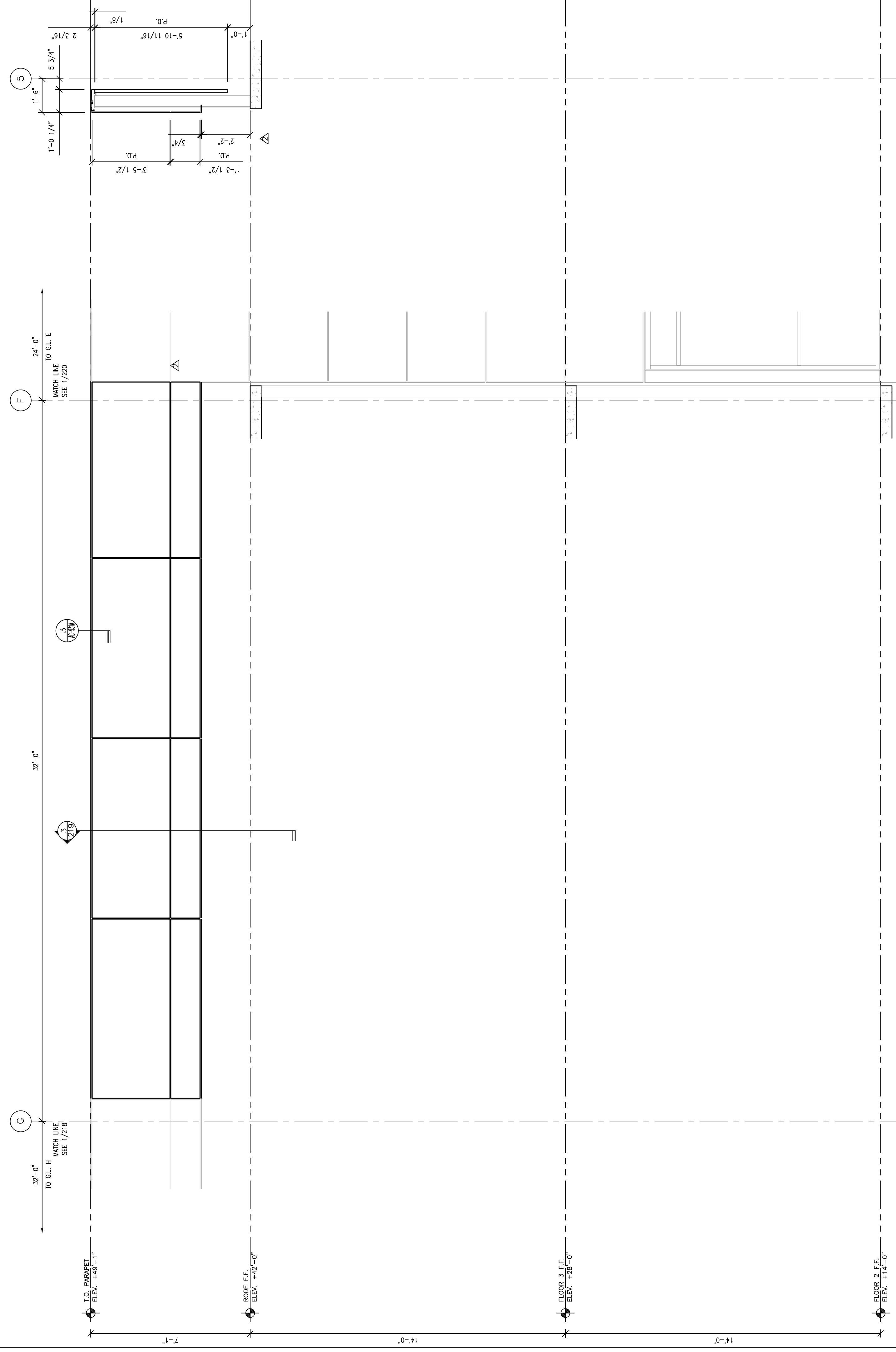
	GLASS TRANSPARENT
	GLASS TRANSLUCENT
	GLASS SPANDELT
	ALUMINUM PANELS
	CORRUGATED PANELS
	FINISHING REQUIRED





LEGEND

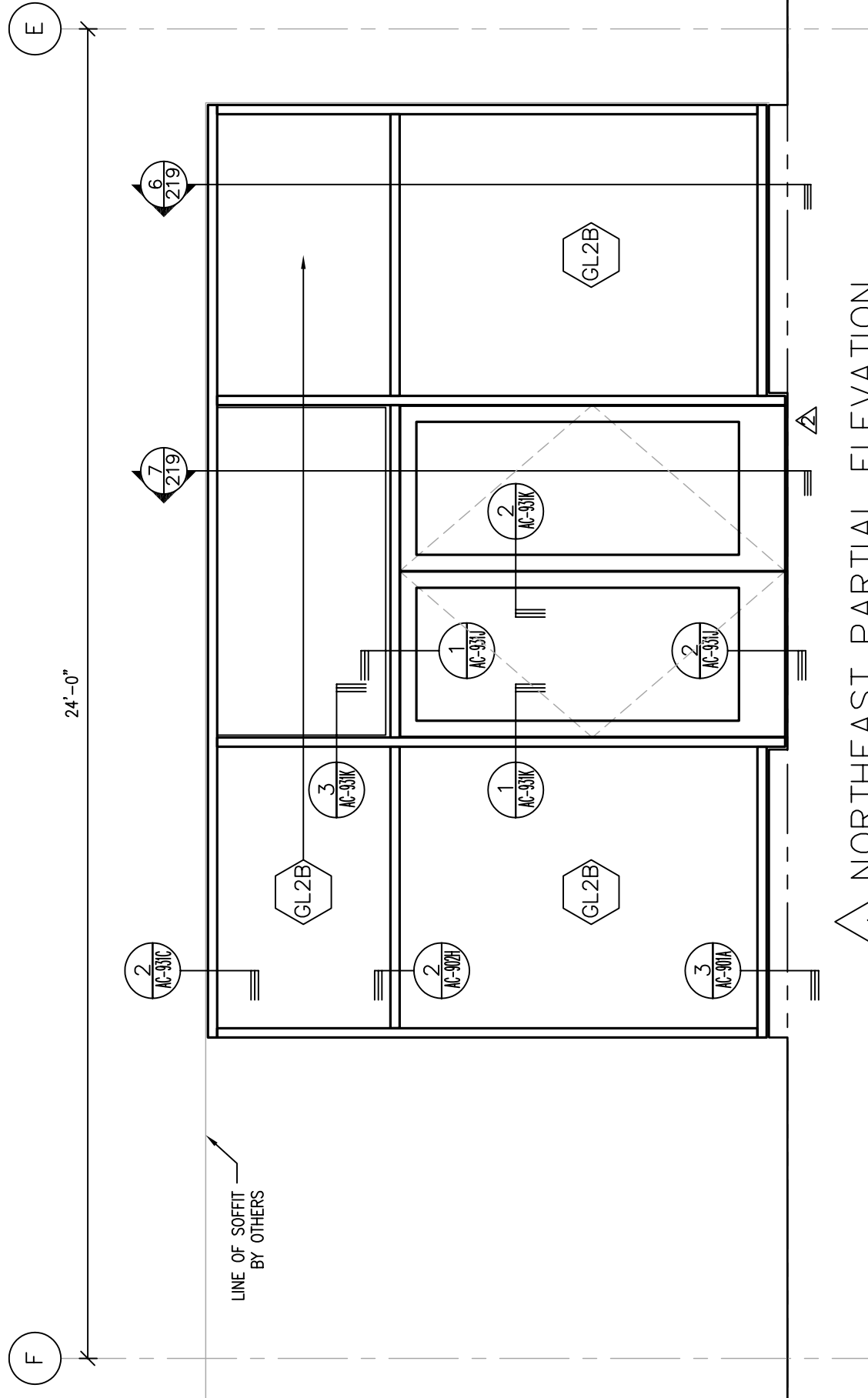
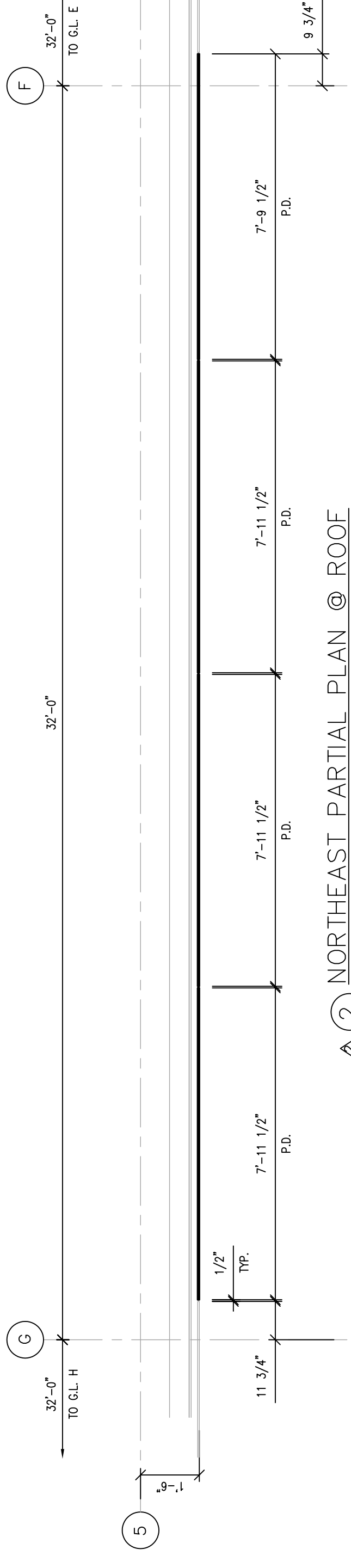
[Symbol]	GLASS TRANSPARENT
[Symbol]	GLASS TRANSPARENT
[Symbol]	GLASS SPANDREL
[Symbol]	ALUMINUM PANELS
[Symbol]	CORUGATED PANELS
[Symbol]	ENGINEERING REQUIRED



1. NORTHEAST PARTIAL ELEVATION  
SCALE: 3/8" = 1'-0"  
ARCH. REF.: 1/A313

3. SECTION  
SCALE: 3/8" = 1'-0"

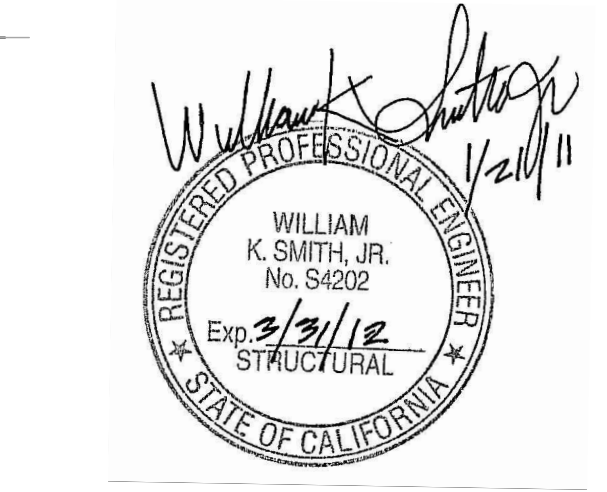
2. NORTHEAST PARTIAL PLAN @ ROOF  
SCALE: 3/8" = 1'-0"  
ARCH. REF.: 1/A313



4. NORTHEAST PARTIAL ELEVATION  
SCALE: 3/8" = 1'-0"  
ARCH. REF.: 1/A313

6. SECTION  
SCALE: 3/8" = 1'-0"

7. SECTION  
SCALE: 3/8" = 1'-0"



5. NORTHEAST PARTIAL PLAN @ FLR. 3  
SCALE: 3/8" = 1'-0"  
ARCH. REF.: 3/A313

LEGEND

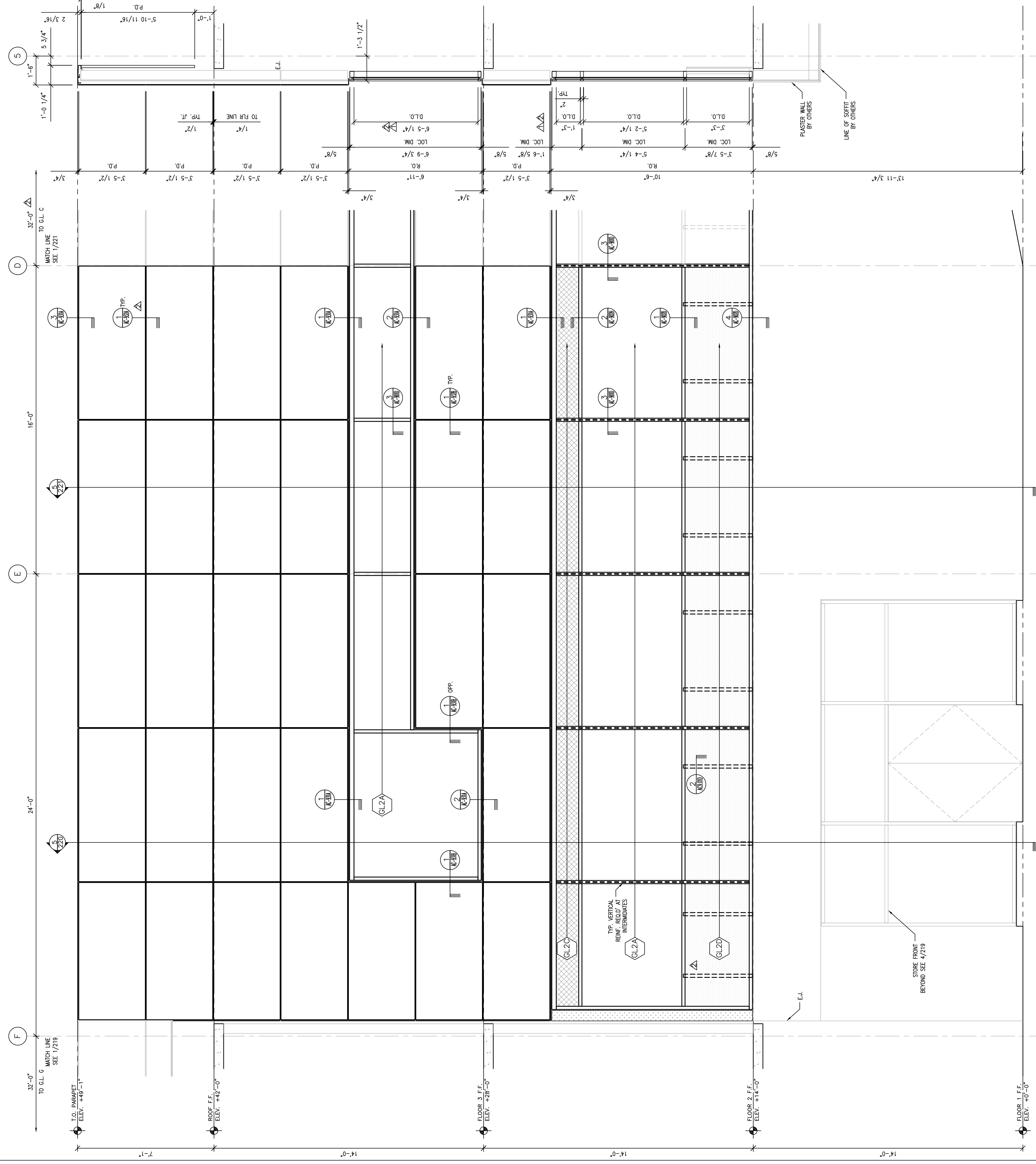
	GLASS TRANSPARENT
	GLASS TRANSLUCENT
	GLASS SPANDELT
	ALUMINUM PANELS
	CORRUGATED PANELS
	FINISHING REQUIRED

C/S Erectors Inc. INSTALLER OF ARCHITECTURAL FRAME SYSTEMS  
 License No. 076006  
 2500 OLD CROFT CANYON RD., SUITE. 320  
 FOLSOM, CA 95630  
 TEL: (925) 820-8113 FAX: (925) 820-8987

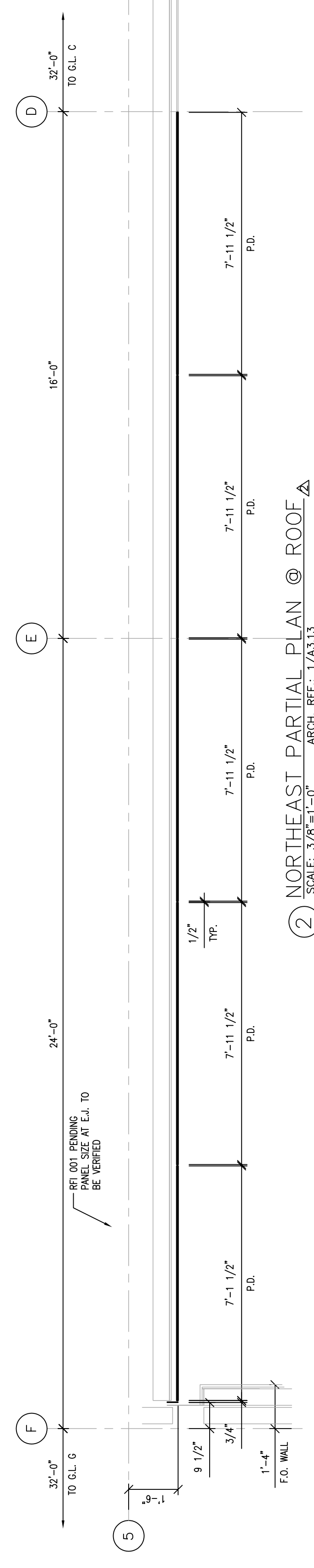
DATE: 05/30/08  
 SCALE: 3/8" = 1'-0"  
 DRAWN BY: CDC  
 JOB #: D01065  
 SHEET # 219  
 OF 1 SHEETS

COLLEGE OF SAN MATEO  
 BUILDING 5N  
 1700 WEST HILLSDALE BOULEVARD  
 SAN MATEO, CA. 94402

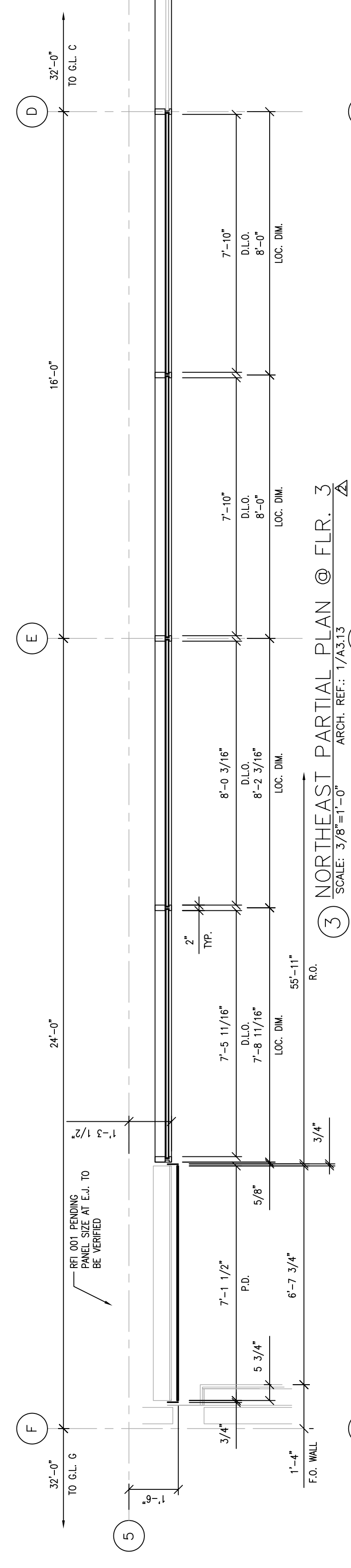
NO.	DATE	REVISION DESCRIPTION
4	10/15/10	AS BUILT
3	03-26-10	FOR RECORD
2	03-18-09	SGH, ARCH., C/S REV.
-	-	-



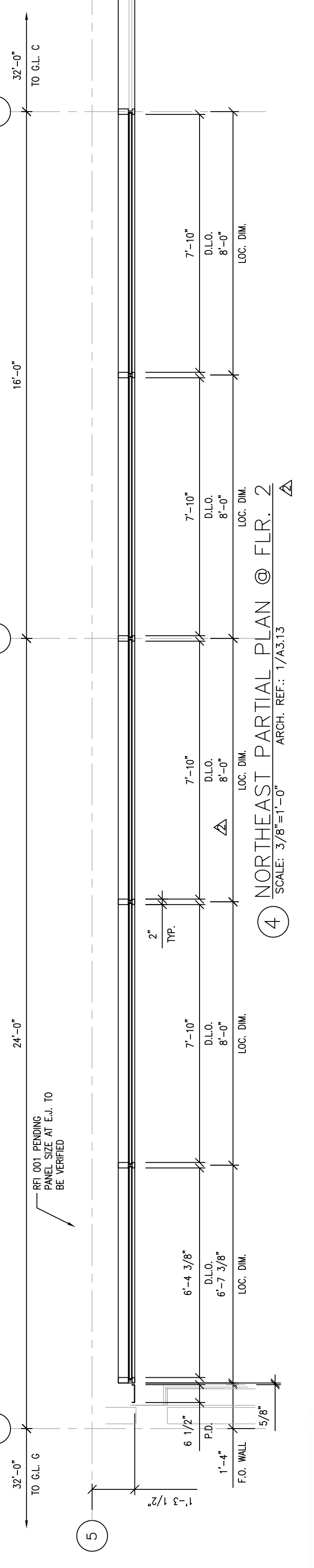
1 NORTH-EAST PARTIAL ELEVATION  
SCALE: 3/8"=1'-0" ARCH. REF.: 1/A313



2 NORTH-EAST PARTIAL PLAN @ ROOF  
SCALE: 3/8"=1'-0" ARCH. REF.: 1/A313



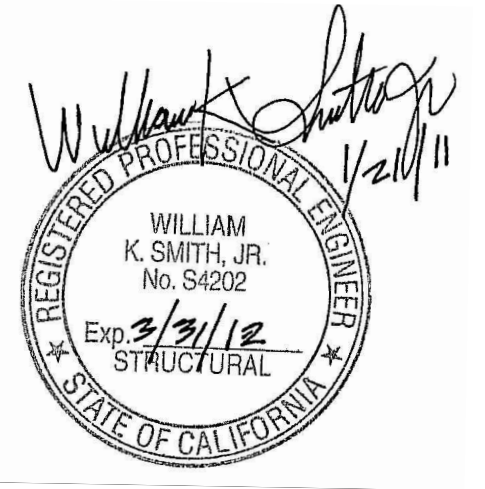
3 NORTH-EAST PARTIAL PLAN @ FLR. 3  
SCALE: 3/8"=1'-0" ARCH. REF.: 1/A313

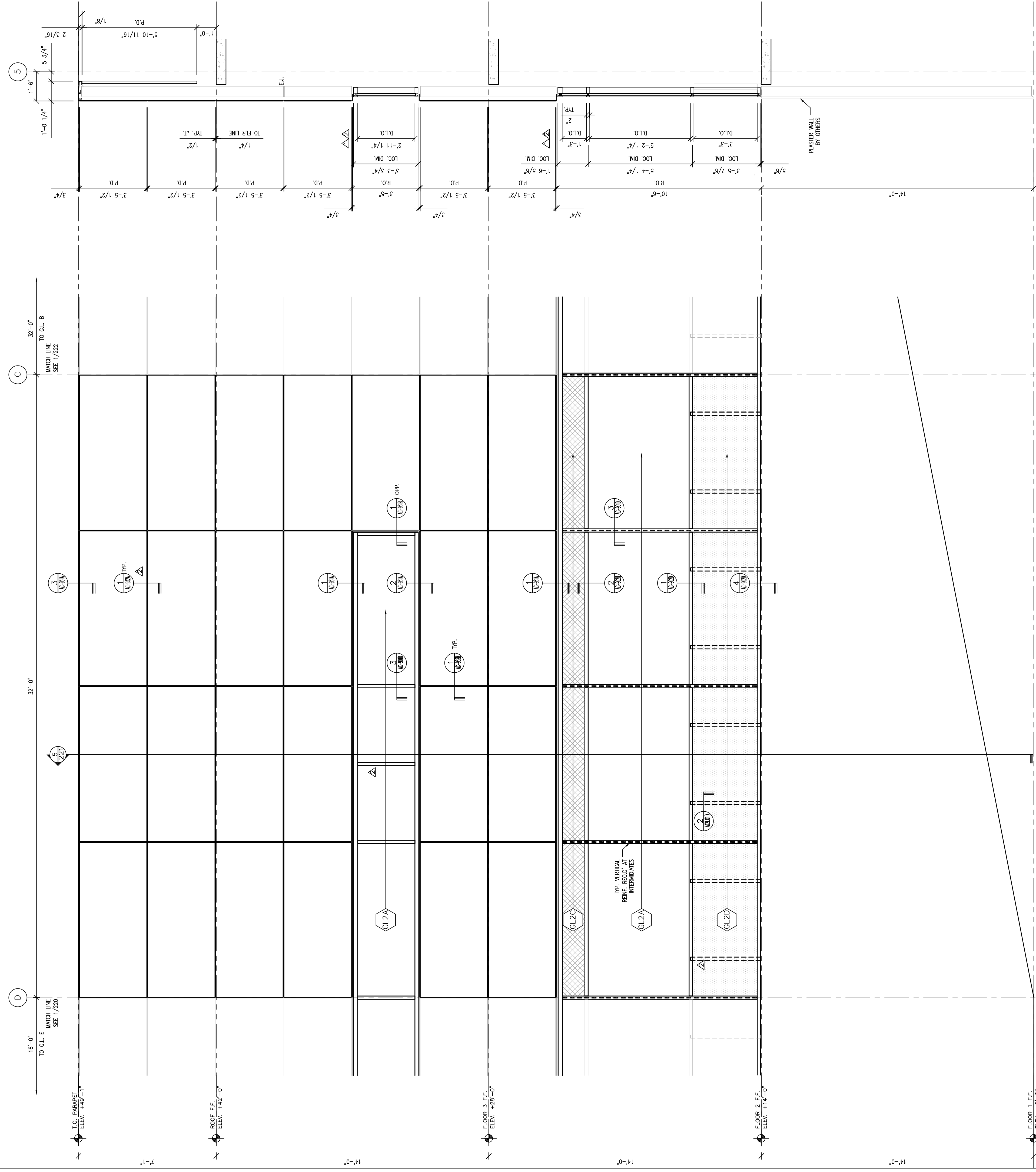


4 NORTH-EAST PARTIAL PLAN @ FLR. 2  
SCALE: 3/8"=1'-0" ARCH. REF.: 1/A313

LEGEND

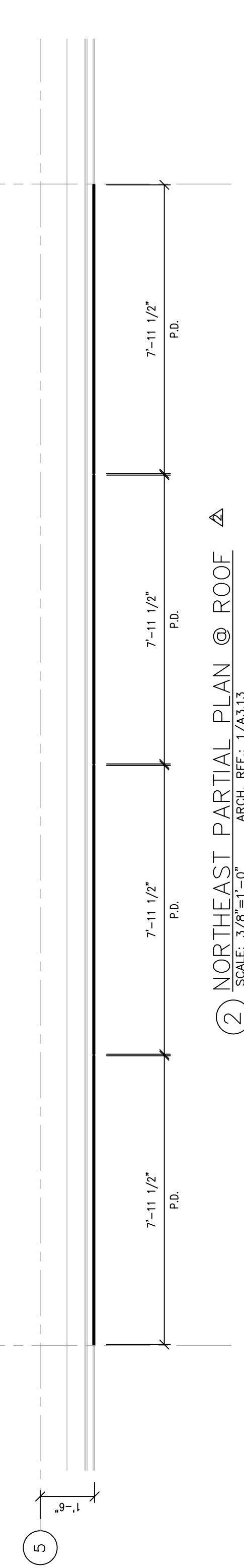
	GLASS TRANSLUCENT
	GLASS TRANSLUCENT
	GLASS SPANDELS
	ALUMINUM PANELS
	CORRUGATED PANELS
	ENGINEERING REQUIRED



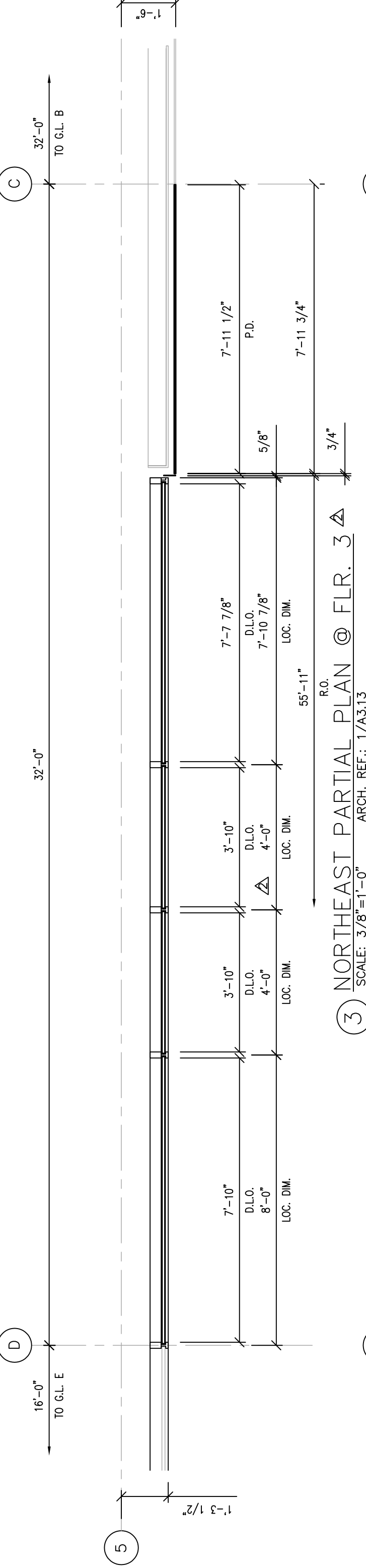


1 NORTHWEST PARTIAL ELEVATION  
SCALE: 3/8"=1'-0" ARCH. REF.: 1/A3.1.3

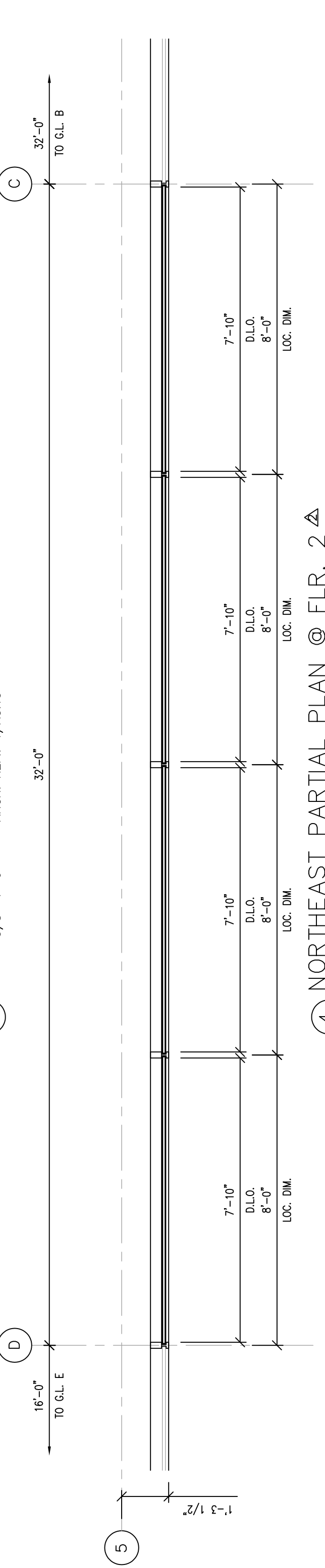
5 SECTION  
SCALE: 3/8"=1'-0"



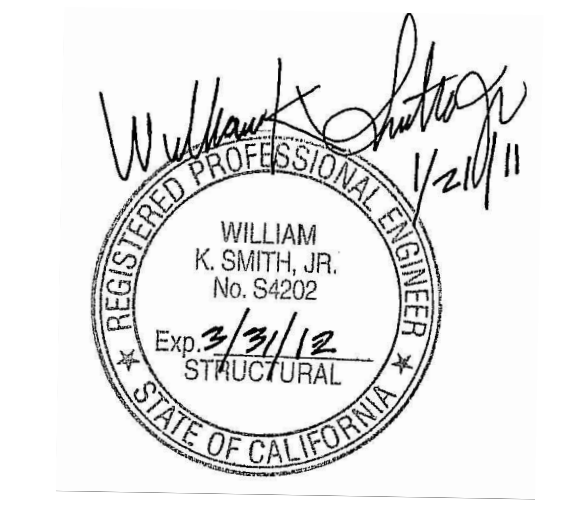
2 NORTHEAST PARTIAL PLAN @ ROOF  
SCALE: 3/8"=1'-0" ARCH. REF.: 1/A3.1.3



3 NORTHEAST PARTIAL PLAN @ FLR. 3  
SCALE: 3/8"=1'-0" ARCH. REF.: 1/A3.1.3



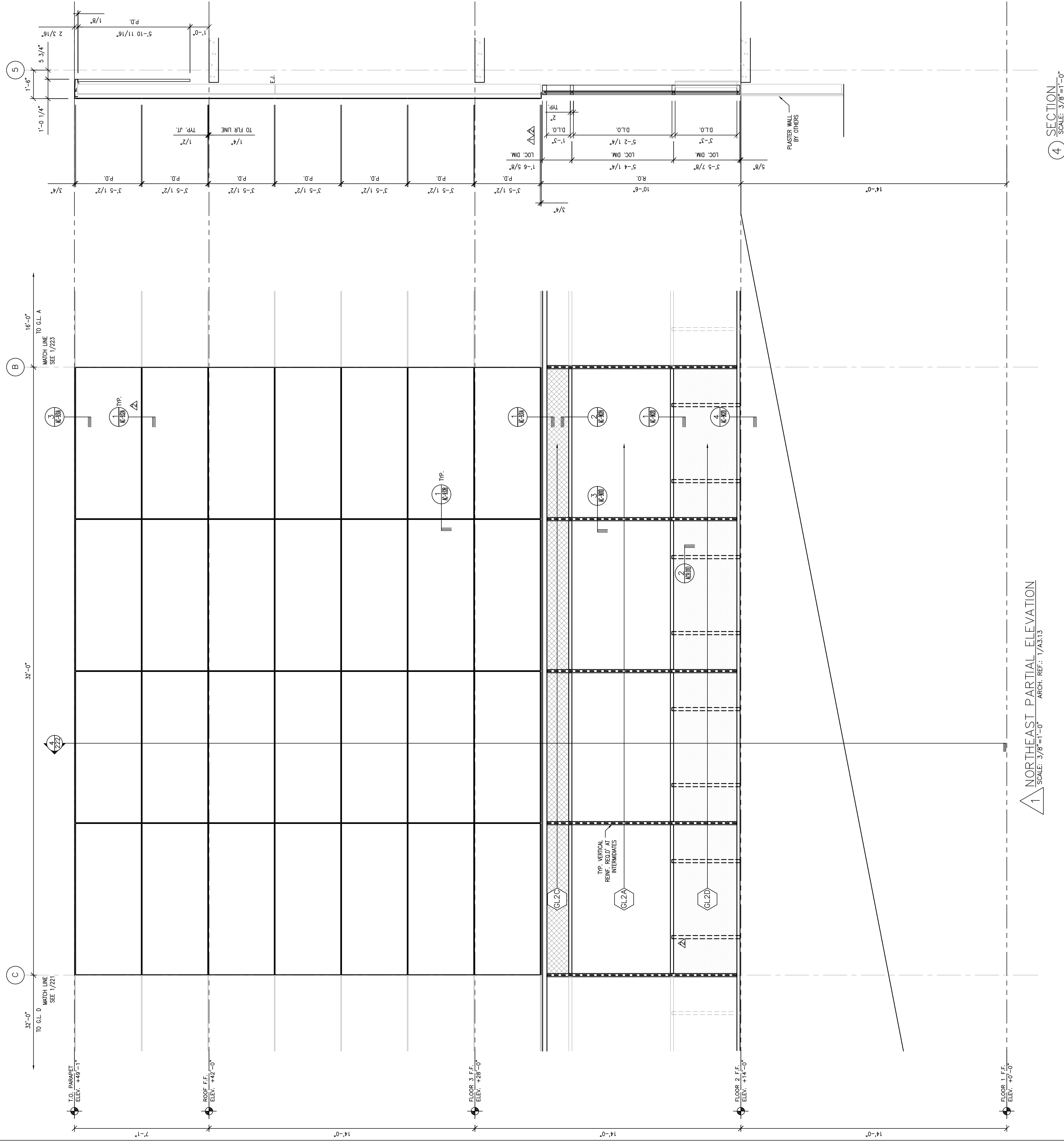
4 NORTHEAST PARTIAL PLAN @ FLR. 2  
SCALE: 3/8"=1'-0" ARCH. REF.: 1/A3.1.3



LEGEND

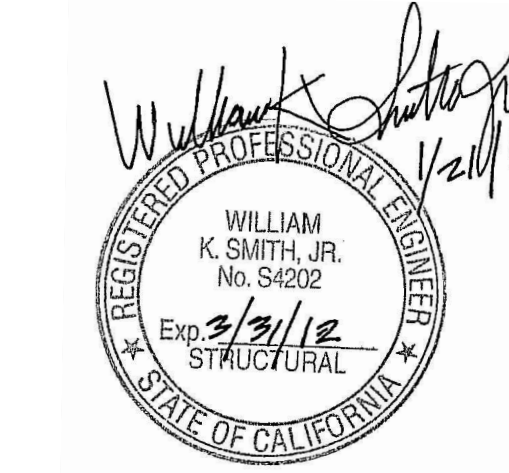
[Symbol]	GLASS TRANSPARENT	(2.2)	(2.2)
[Symbol]	GLASS TRANSLUCENT	(2.2)	(2.2)
[Symbol]	GLASS SPANDREL	(2.2)	(2.2)
[Symbol]	ALUMINUM PANELS	(2.2)	(2.2)
[Symbol]	CORUGATED PANELS	(2.2)	(2.2)
[Symbol]	ENGINEERING REQUIRED		





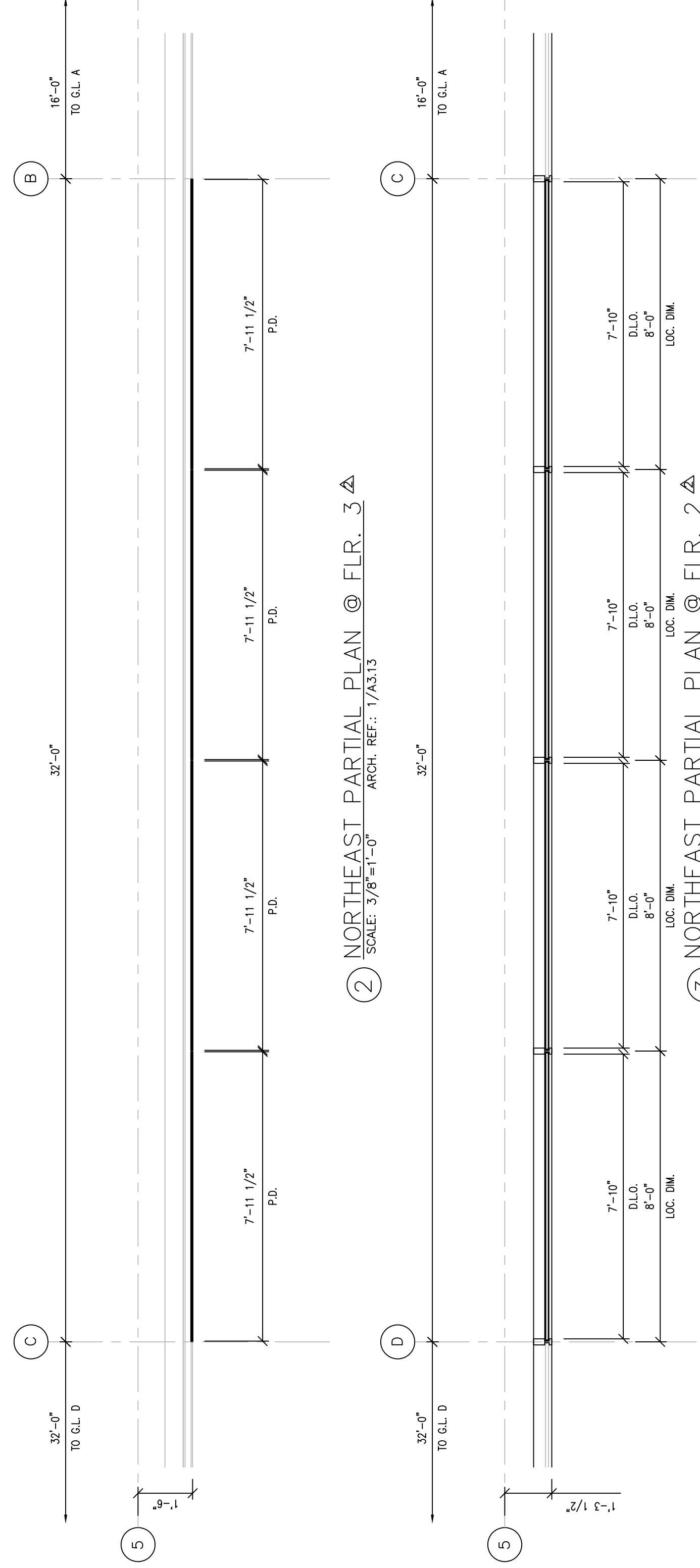
1 NORTHEAST PARTIAL ELEVATION  
SCALE: 3/8"=1'-0"  
ARCH. REF.: 1/A313

4 SECTION  
SCALE: 3/8"=1'-0"



LEGEND

	GLASS TRANSPARENT	(2.2) (2.2)
	GLASS TRANSPARENT	(2.2)
	GLASS SPANDELS	(2.2)
	ALUMINUM PANELS	(2.2)
	CORRUGATED PANELS	(2.2)
	REFERENCING REQUIRED	



2 NORTHEAST PARTIAL PLAN @ FLR. 3  
SCALE: 3/8"=1'-0"  
ARCH. REF.: 1/A313

3 NORTHEAST PARTIAL PLAN @ FLR. 2  
SCALE: 3/8"=1'-0"  
ARCH. REF.: 1/A313

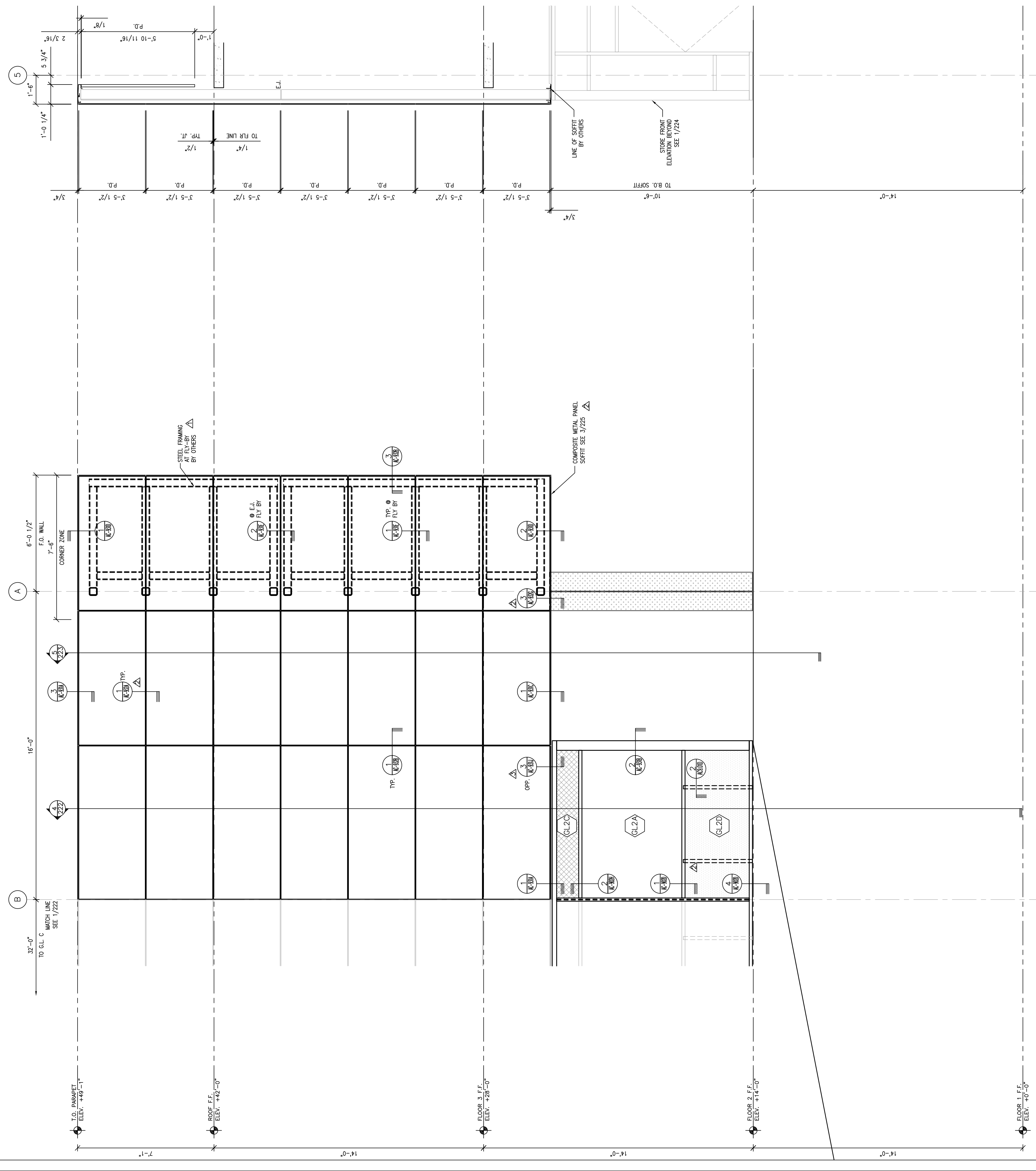
C/S ERECTORS INC. INSTALLER OF ARCHITECTURAL GLASS SYSTEMS

License No. 076006  
2500 OLD CROFT CANYON RD., SUITE. 320  
SAN MATEO, CA 94403  
TEL: (925) 820-6113 FAX: (925) 820-6987

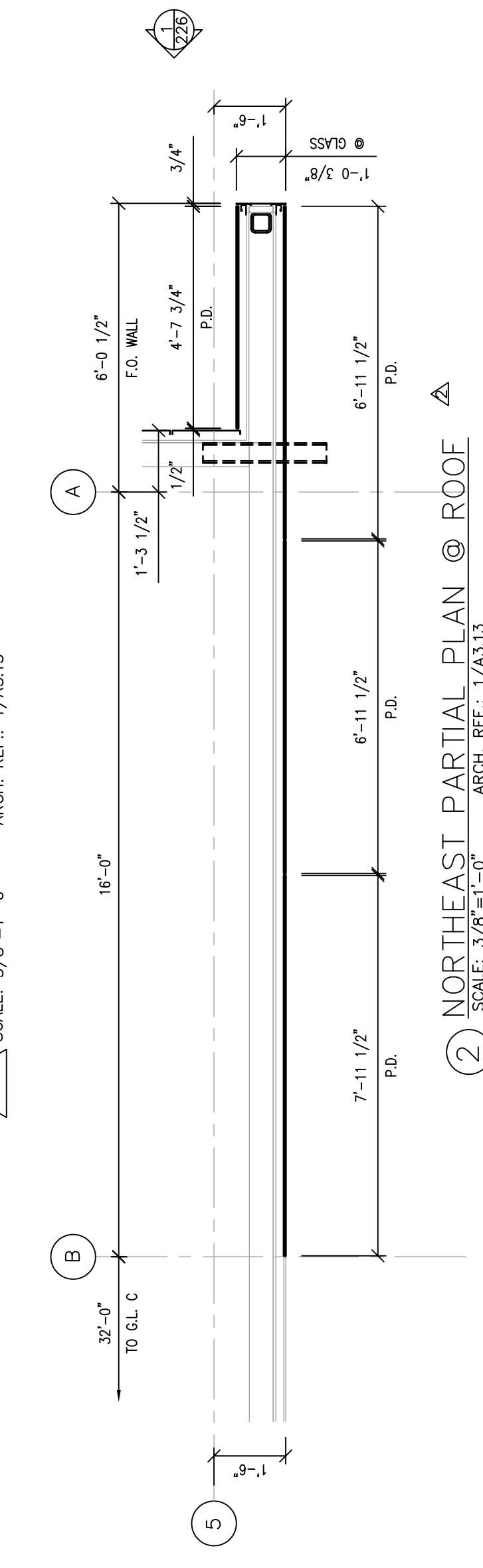
DATE: 05/30/08  
SCALE: 3/8" = 1'-0"  
DRAWN BY: CDC  
JOB # D01065  
SHEET # 222  
OF SHEETS

COLLEGE OF SAN MATEO  
BUILDING 5N  
1700 WEST HILLSDALE BOULEVARD  
SAN MATEO, CA. 94402

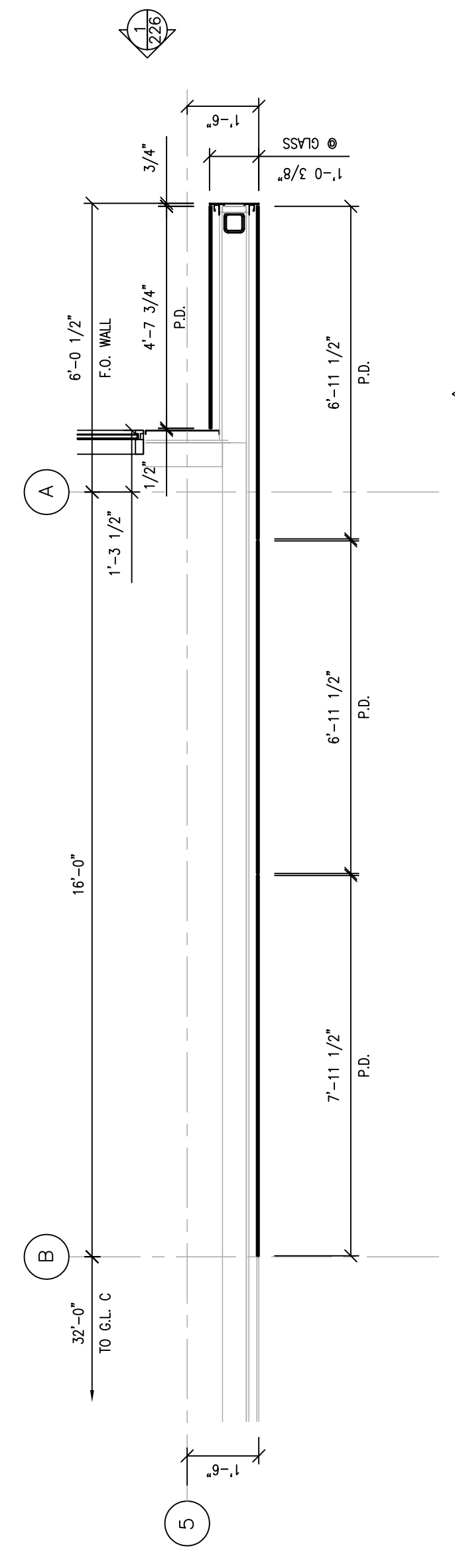
NO.	DATE	REVISION DESCRIPTION
4	10/15/10	AS BUILT
3	03-26-10	FOR RECORD
2	03-18-09	SGH, ARCH, C/S REV.
1	10-09-08	PER DSA COMMENTS



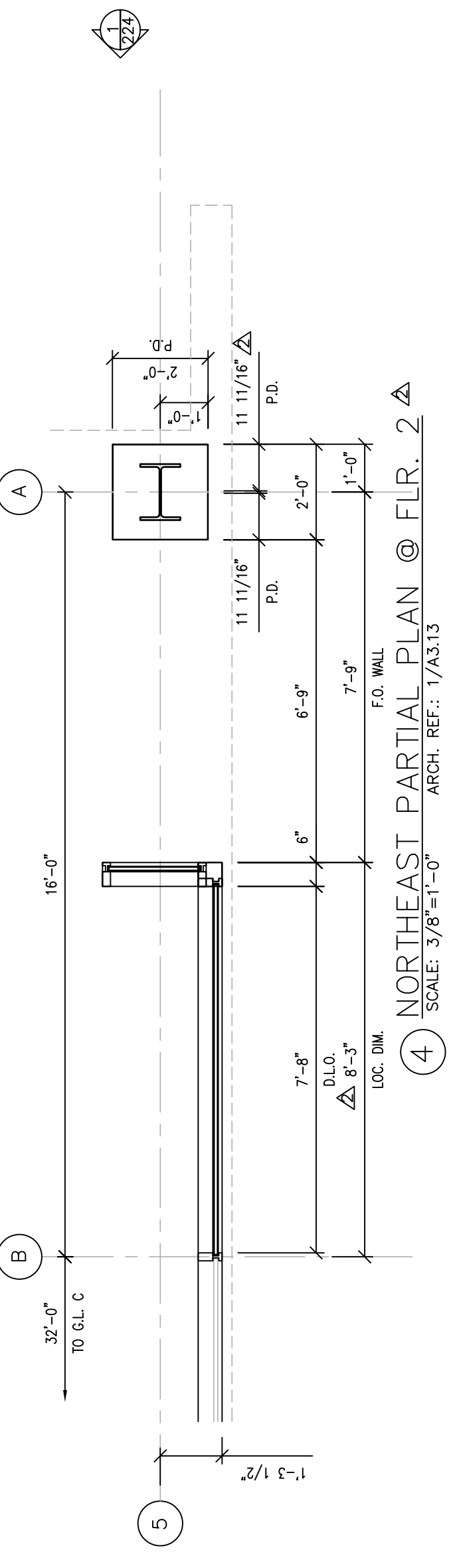
1 NORTHEAST PARTIAL ELEVATION  
SCALE: 3/8"=1'-0"  
ARCH. REF.: 1/A3.13



2 NORTHEAST PARTIAL PLAN @ ROOF  
SCALE: 3/8"=1'-0"  
ARCH. REF.: 1/A3.13



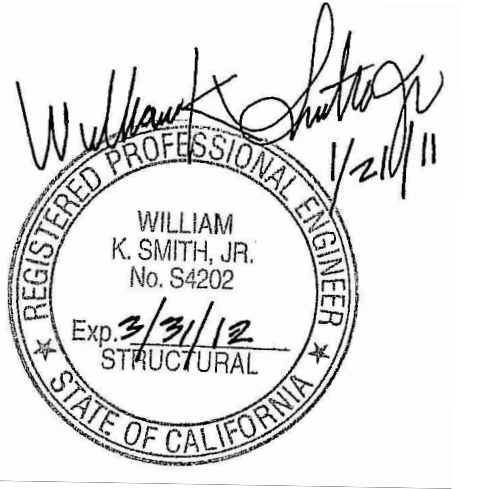
3 NORTHEAST PARTIAL PLAN @ FLR. 3  
SCALE: 3/8"=1'-0"  
ARCH. REF.: 1/A3.13

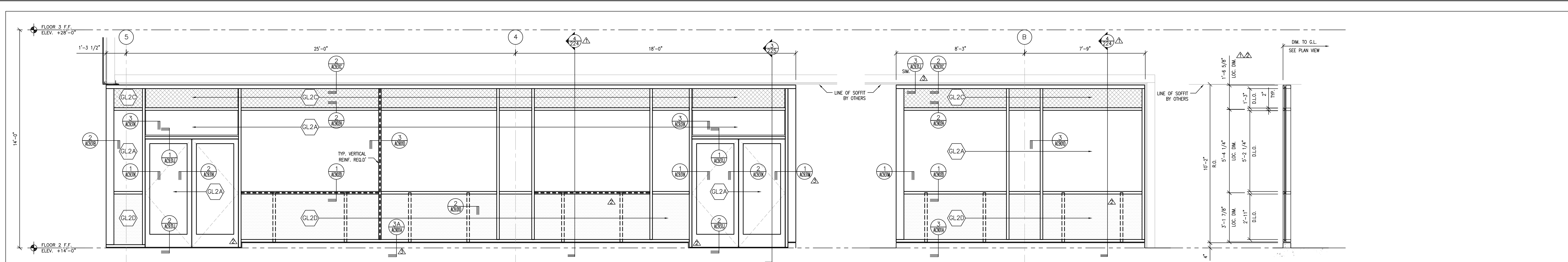


4 NORTHEAST PARTIAL PLAN @ FLR. 2  
SCALE: 3/8"=1'-0"  
ARCH. REF.: 1/A3.13

LEGEND

	GLASS TRANSPARENT
	GLASS TRANSLUCENT
	GLASS SPANDELT
	ALUMINUM PANELS
	CORRUGATED PANELS
	ENFORCING REQUIRED

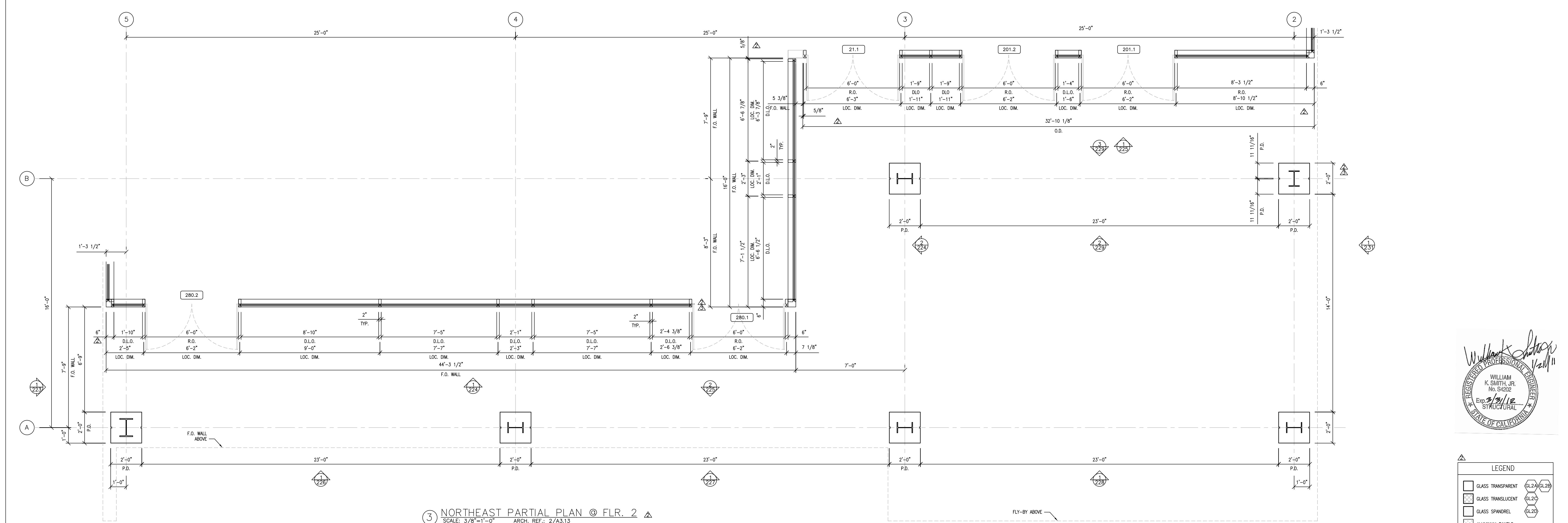




1 NORTHWEST PARTIAL ELEVATION  
SCALE: 3/8"=1'-0" ARCH. REF.: 2/A3.13

2 NORTHWEST PARTIAL ELEVATION  
SCALE: 3/8"=1'-0" ARCH. REF.: 2/A3.13

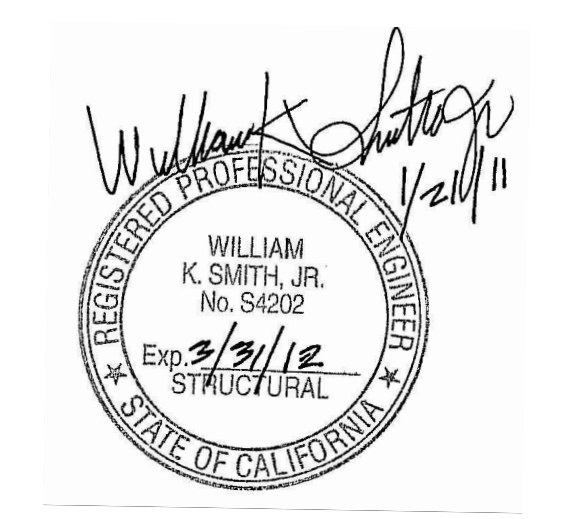
4 SECTION  
SCALE: 3/8"=1'-0"



3 NORTHEAST PARTIAL PLAN @ FLR. 2  
SCALE: 3/8"=1'-0" ARCH. REF.: 2/A3.13

**LEGEND**

- GLASS TRANSPARENT (GL.2A, GL.2B)
- GLASS TRANSLUCENT (GL.2C)
- GLASS SPANDREL (GL.2D)
- ALUMINUM PANELS
- CORRUGATED PANELS
- REINFORCING REQUIRED

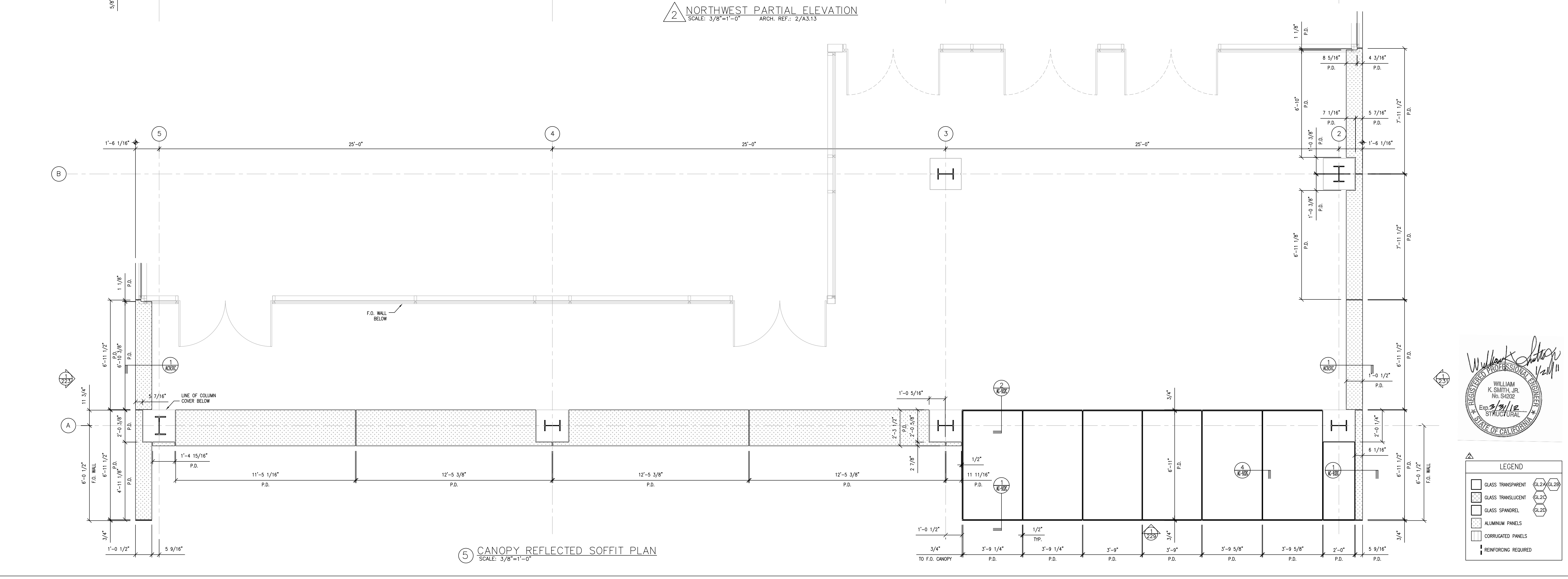
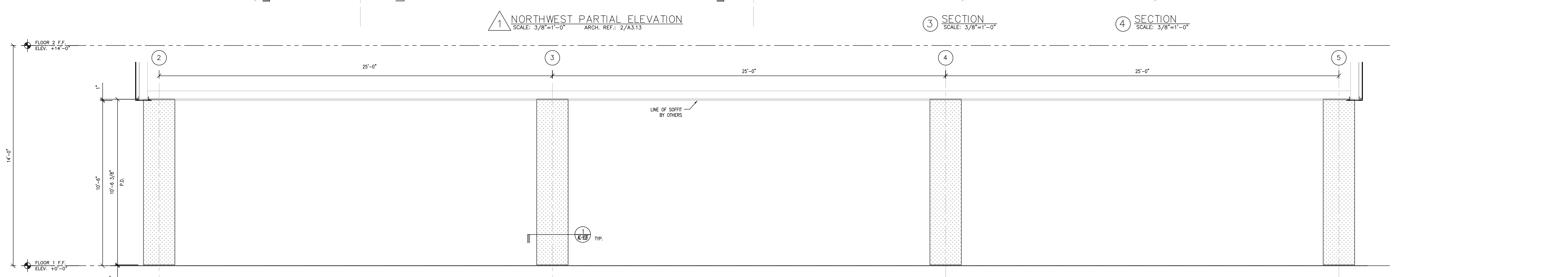
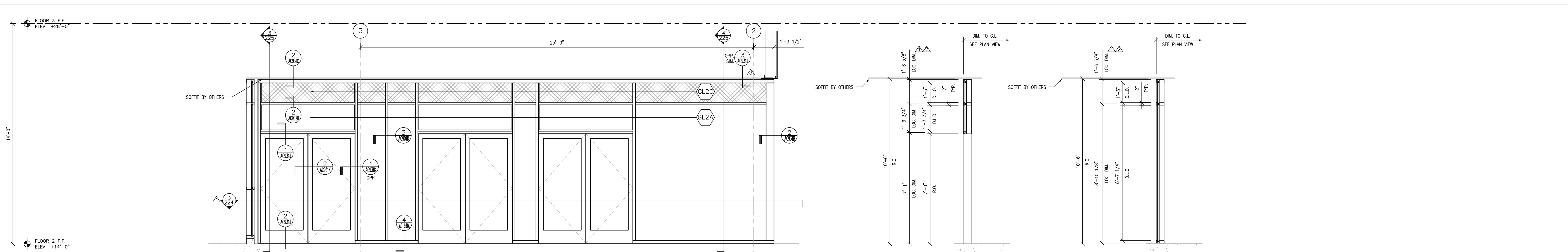


**C/S ERECTORS INC.** INSTALLERS OF ARCHITECTURAL GLASS SYSTEMS  
 License No. 076060  
 2500 OLD CROFT CANYON RD., SUITE. 320  
 SAN MATEO, CA 94403  
 TEL: (925) 820-6113 FAX: (925) 820-6987

DATE: 05/30/08  
 SCALE: 3/8" = 1'-0"  
 DRAWN BY: CDC  
 JOB #: D01065  
 SHEET # **224**  
 OF -- SHEETS

NO.	DATE	REVISION DESCRIPTION
5	10/15/10	AS BUILT
4	03-26-10	FOR RECORD
3	05-18-09	FOR CONSTRUCTION
2	03-18-09	SGH, ARCH., C/S REV.
1	10-09-08	PER DSA COMMENTS

**COLLEGE OF SAN MATEO**  
 BUILDING 5N  
 1700 WEST HILLSDALE BOULEVARD  
 SAN MATEO, CA. 94402



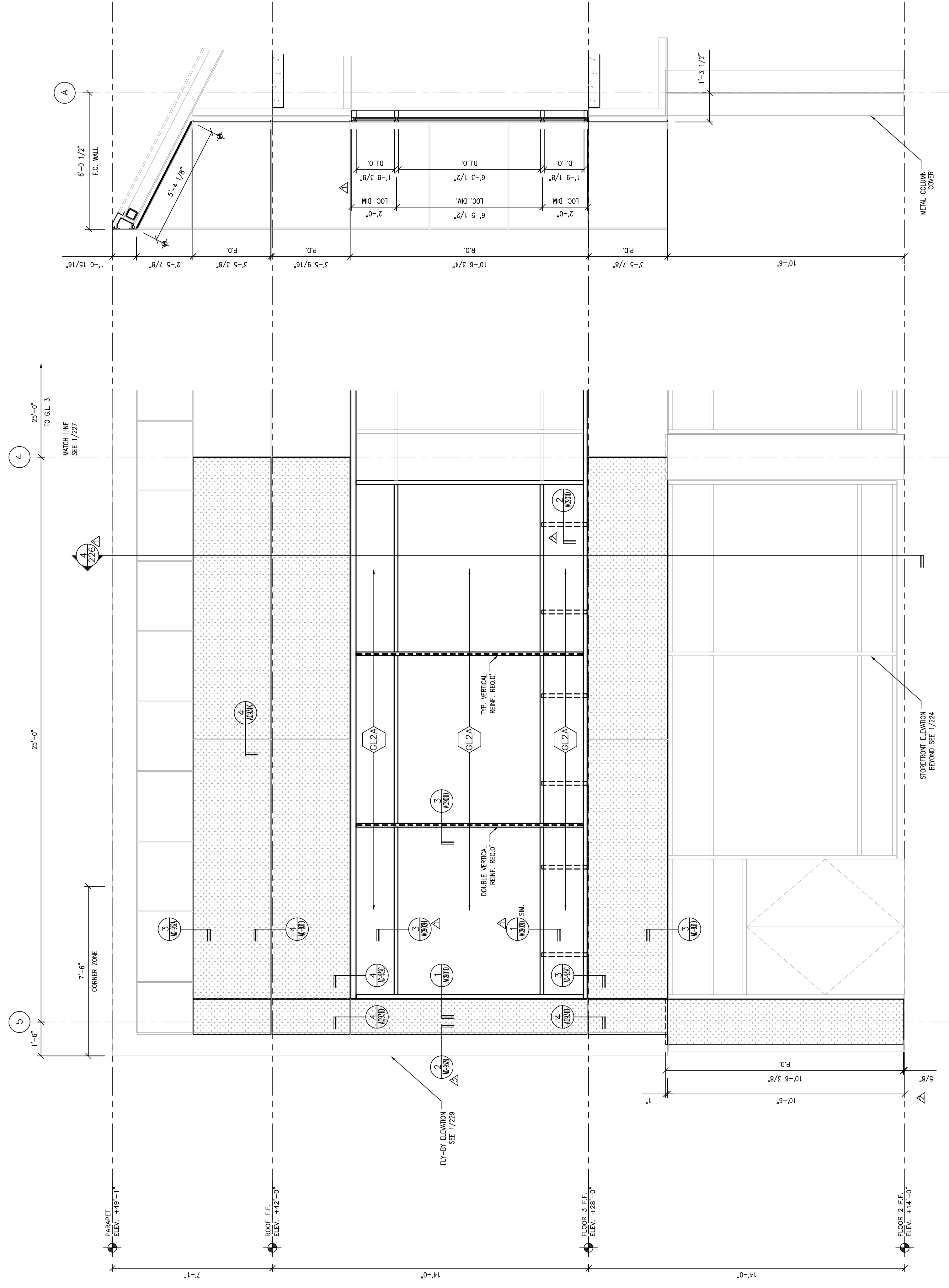
**COLLEGE OF SAN MATEO**  
**BUILDING 5N**  
 1700 WEST HILLSDALE BOULEVARD  
 SAN MATEO, CA. 94402

NO.	DATE	REVISION DESCRIPTION
5	10/15/10	AS BUILT
4	03-26-10	FOR RECORD
3	05-18-09	FOR CONSTRUCTION
2	03-18-09	SGH, ARCH, CIS REV.
1	10-09-08	PER DSA COMMENTS

**C/S ERECTORS INC.** REGISTERED ARCHITECTURAL FIRM  
 License No. 076060  
 2500 OLD CROY CANYON RD. SUITE. 320  
 SAN MATEO, CA 94403  
 TEL: (925) 820-8113 FAX: (925) 820-8987

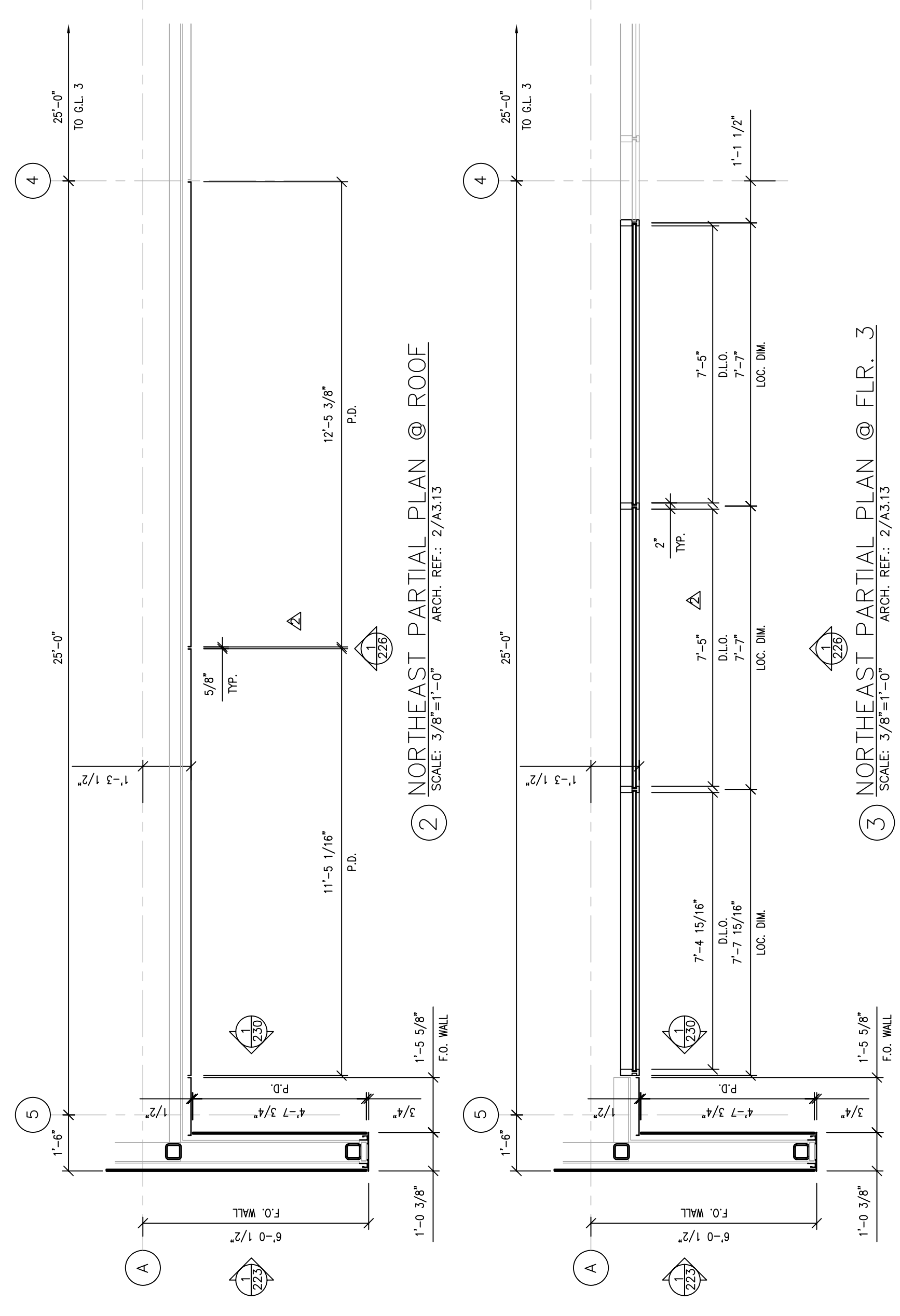
WILLIAM K. SMITH, JR.  
 No. 54202  
 REGISTERED PROFESSIONAL ARCHITECT  
 STATE OF CALIFORNIA

DATE: 05/30/08  
 SCALE: 3/8" = 1'-0"  
 DRAWN BY: CDC  
 JOB #: D01065  
 SHEET # **225**  
 OF -- SHEETS



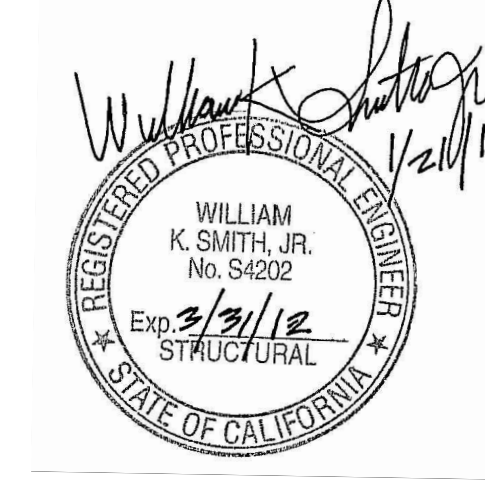
1 NORTHWEST PARTIAL ELEVATION  
SCALE: 3/8"=1'-0"  
ARCH. REF.: 2/A313

4 SECTION  
SCALE: 3/8"=1'-0"



2 NORTHEAST PARTIAL PLAN @ ROOF  
SCALE: 3/8"=1'-0"  
ARCH. REF.: 2/A313

3 NORTHEAST PARTIAL PLAN @ FIR. 3  
SCALE: 3/8"=1'-0"  
ARCH. REF.: 2/A313



LEGEND

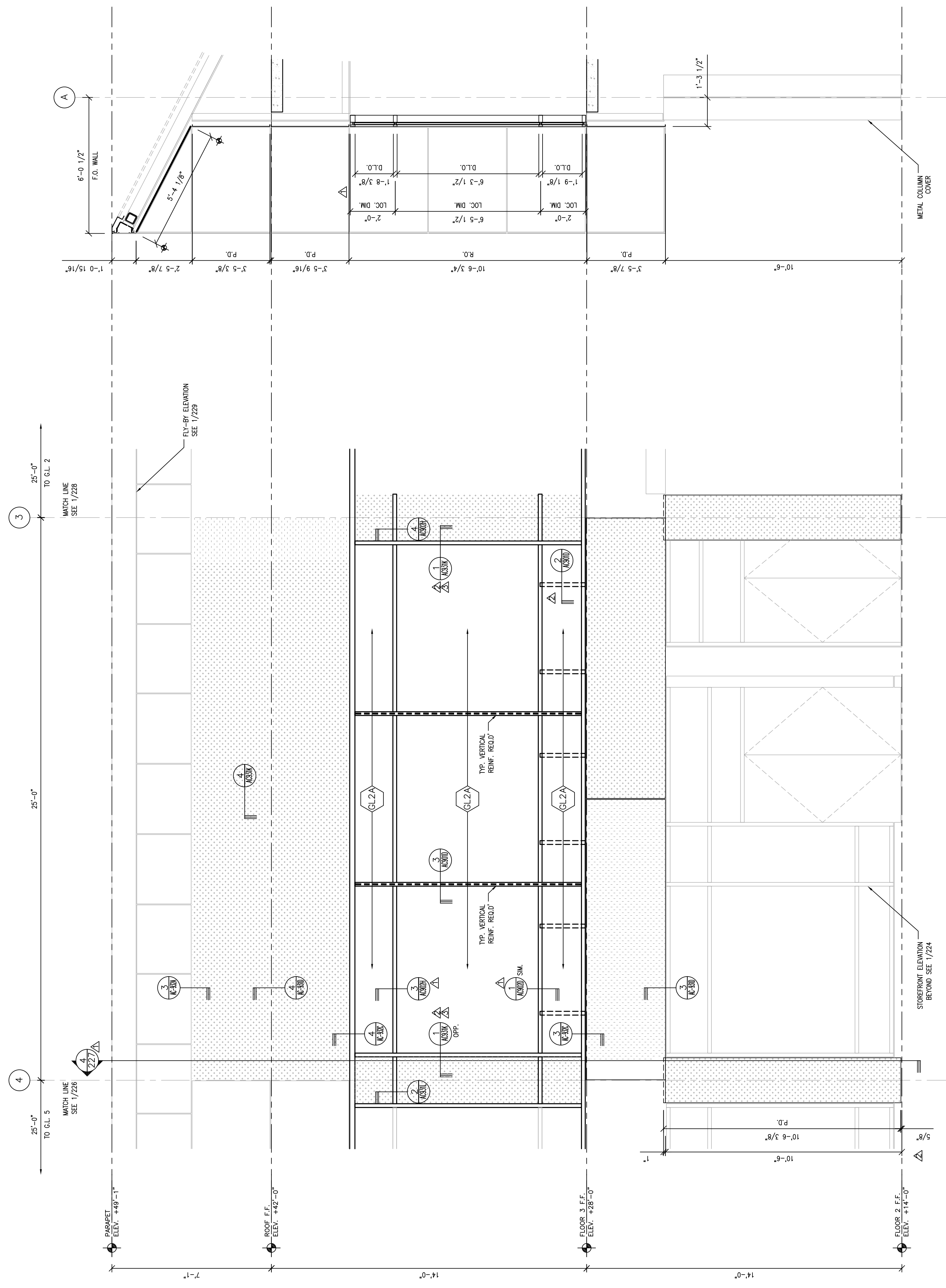
	GLASS TRANSPARENT
	GLASS TRANSLUCENT
	GLASS SPANDELS
	ALUMINUM PANELS
	CORRUGATED PANELS
	REINFORCING REQUIRED

C/S ERECTORS INC. INSTALLER OF ARCHITECTURAL FRAME SYSTEMS  
 License No. 076060  
 2500 OLD CROFT CANYON RD. SUITE. 320  
 FOLSOM, CA 95630  
 TEL: (925) 820-8113 FAX: (925) 820-8987

DATE: 05/30/08  
 SCALE: 3/8" = 1'-0"  
 DRAWN BY: CDC  
 JOB # D01065  
 SHEET # 226  
 OF SHEETS

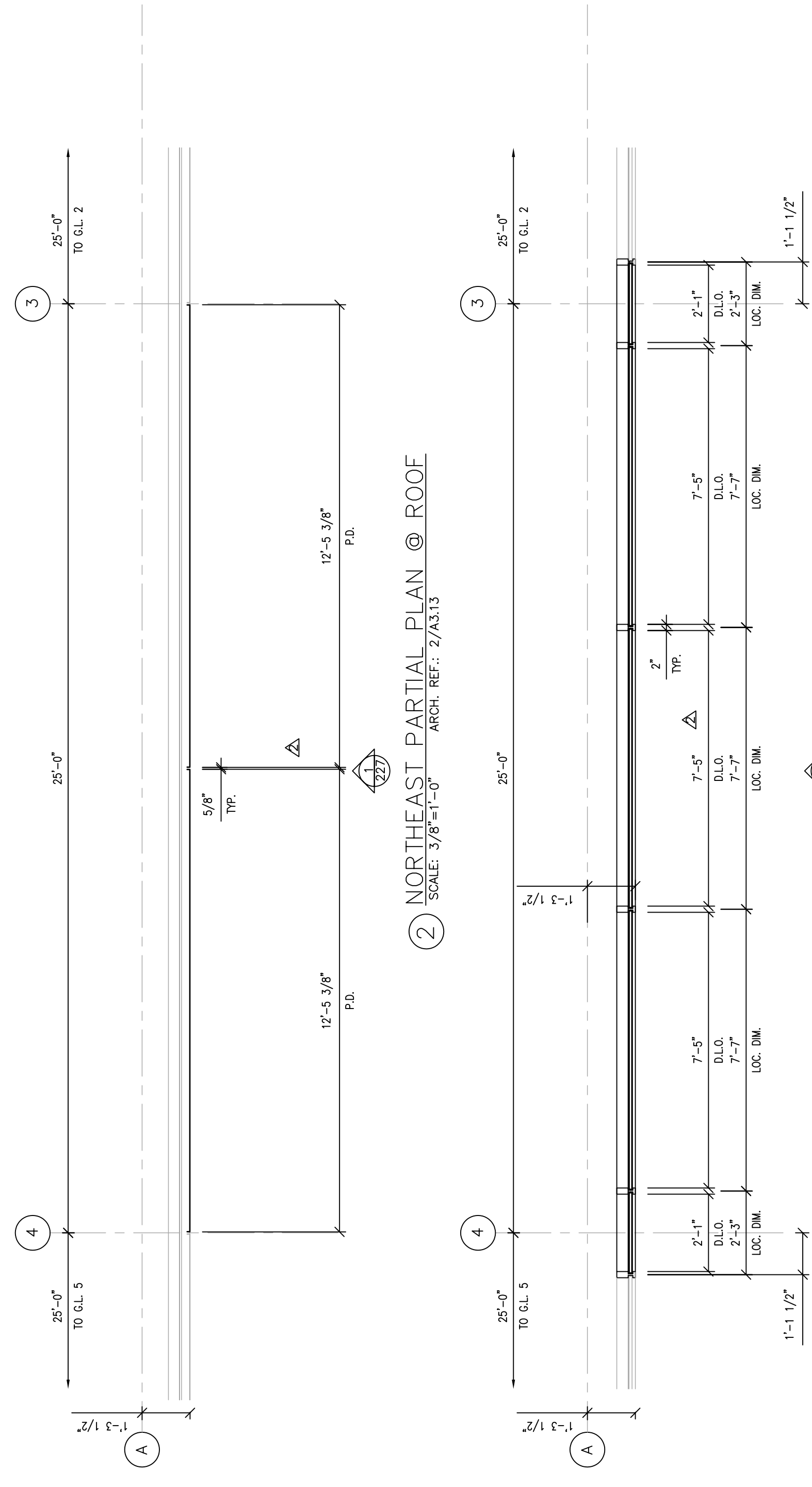
COLLEGE OF SAN MATEO  
 BUILDING 5N  
 1700 WEST HILLSDALE BOULEVARD  
 SAN MATEO, CA. 94402

NO.	DATE	REVISION DESCRIPTION
5	10/15/10	AS BUILT
4	03-26-10	FOR RECORD
3	05-18-09	FOR CONSTRUCTION
2	03-18-09	SGH, ARCH, C/S REV.
1	10-09-08	PER DSA COMMENTS



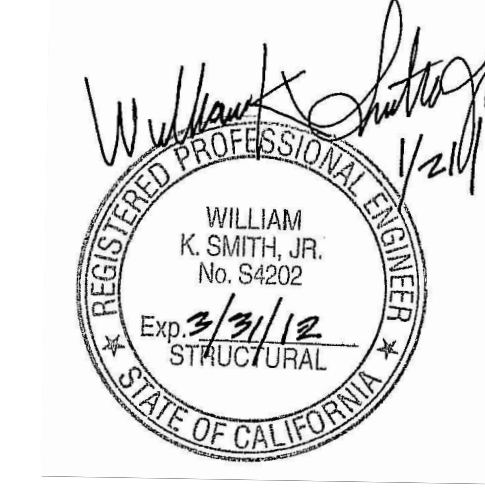
1 NORTHWEST PARTIAL ELEVATION  
SCALE: 3/8"=1'-0" ARCH. REF.: 2/A3313

AA SECTION  
SCALE: 3/8"=1'-0"



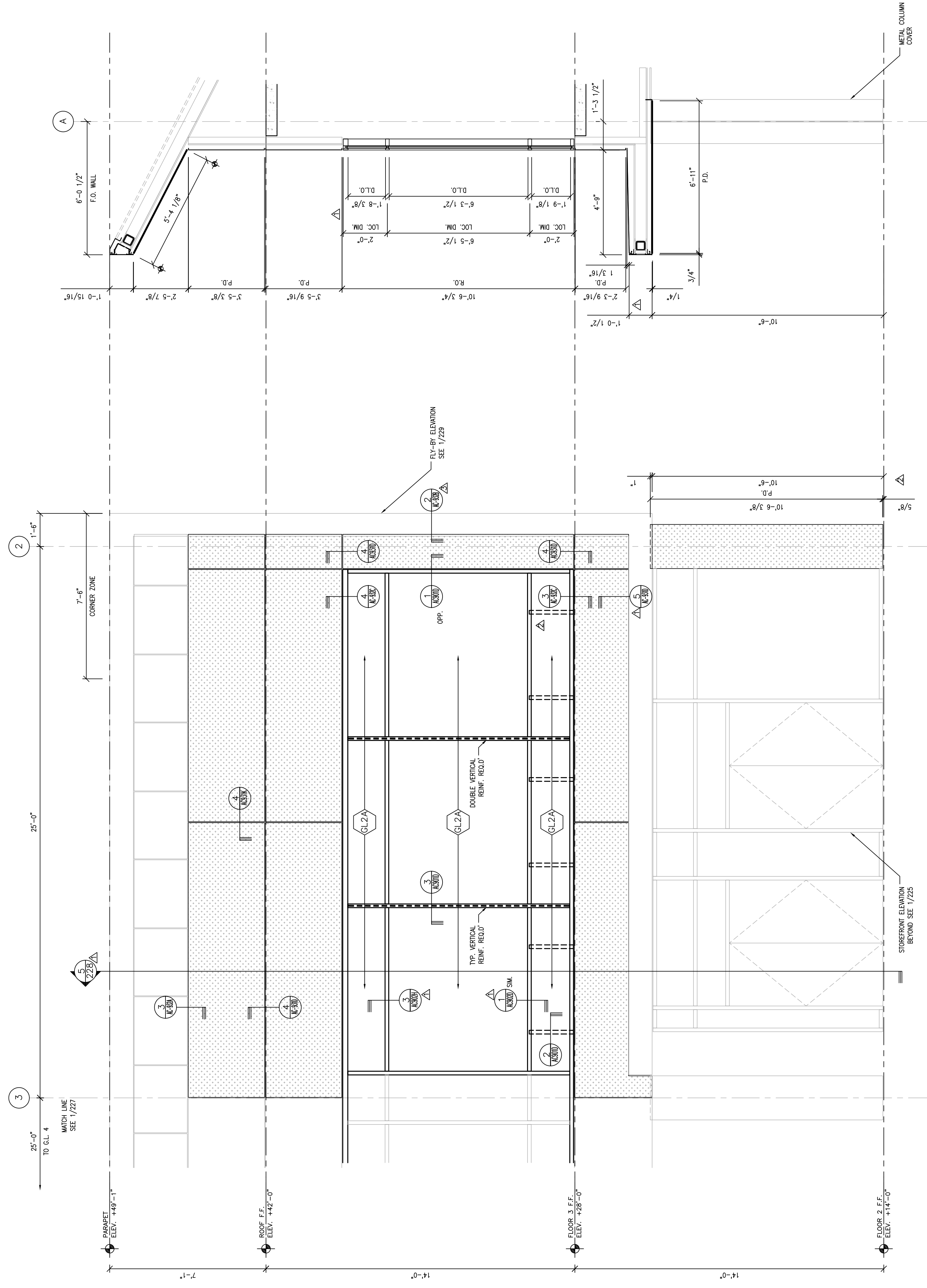
2 NORTHEAST PARTIAL PLAN @ ROOF  
SCALE: 3/8"=1'-0" ARCH. REF.: 2/A3313

3 NORTHEAST PARTIAL PLAN @ FLR. 3  
SCALE: 3/8"=1'-0" ARCH. REF.: 2/A3313



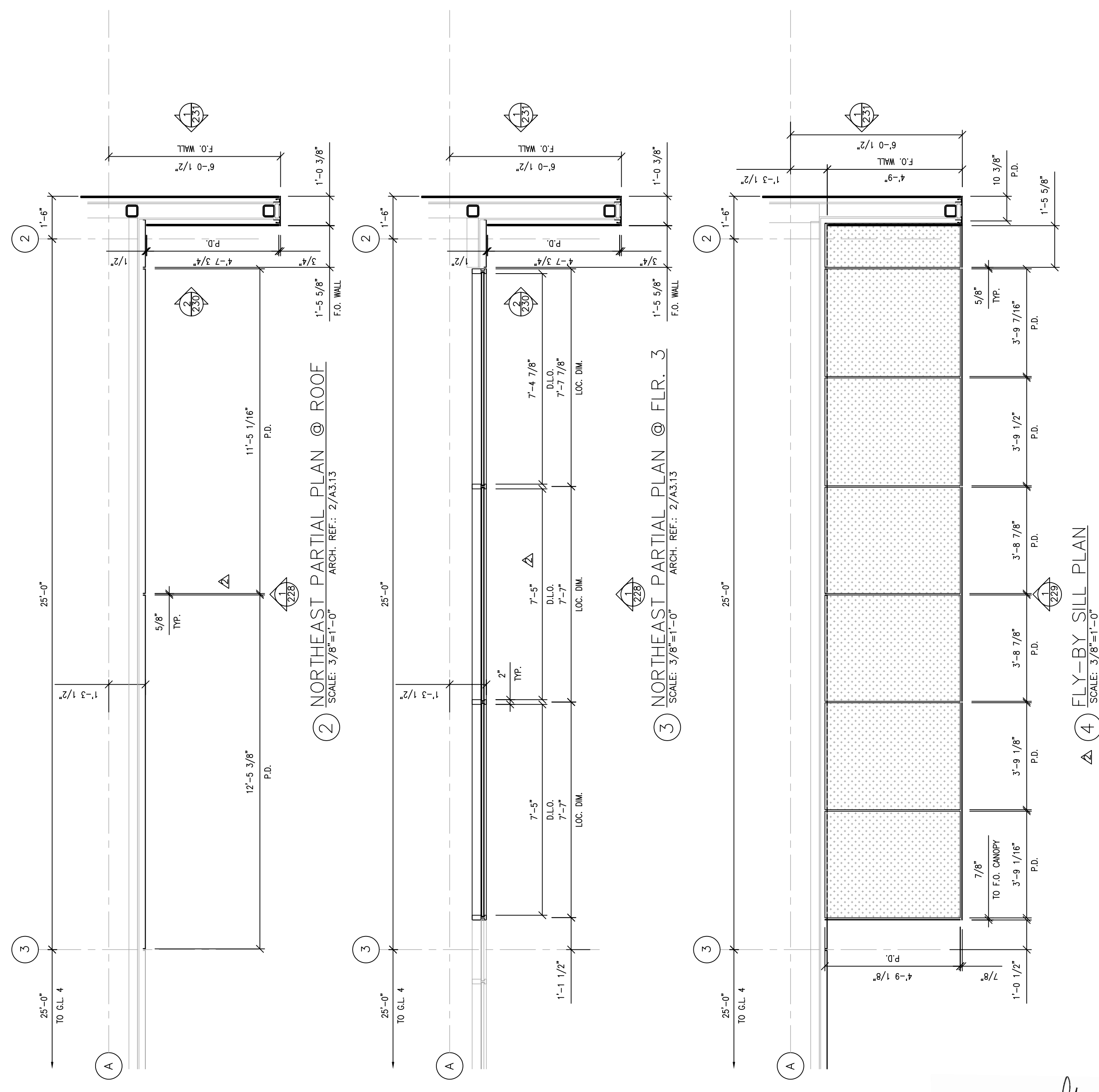
LEGEND

	GLASS TRANSLUCENT
	GLASS TRANSLUCENT
	GLASS SPANDELT
	ALUMINUM PANELS
	CORRUGATED PANELS
	PERFORATING REQUIRED



1 NORTHWEST PARTIAL ELEVATION  
SCALE: 3/8"=1'-0"  
ARCH. REF.: 2/A3.13

5 SECTION  
SCALE: 3/8"=1'-0"



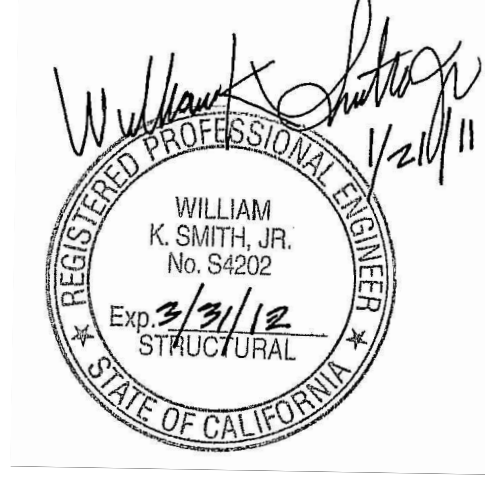
2 NORTHEAST PARTIAL PLAN @ ROOF  
SCALE: 3/8"=1'-0"  
ARCH. REF.: 2/A3.13

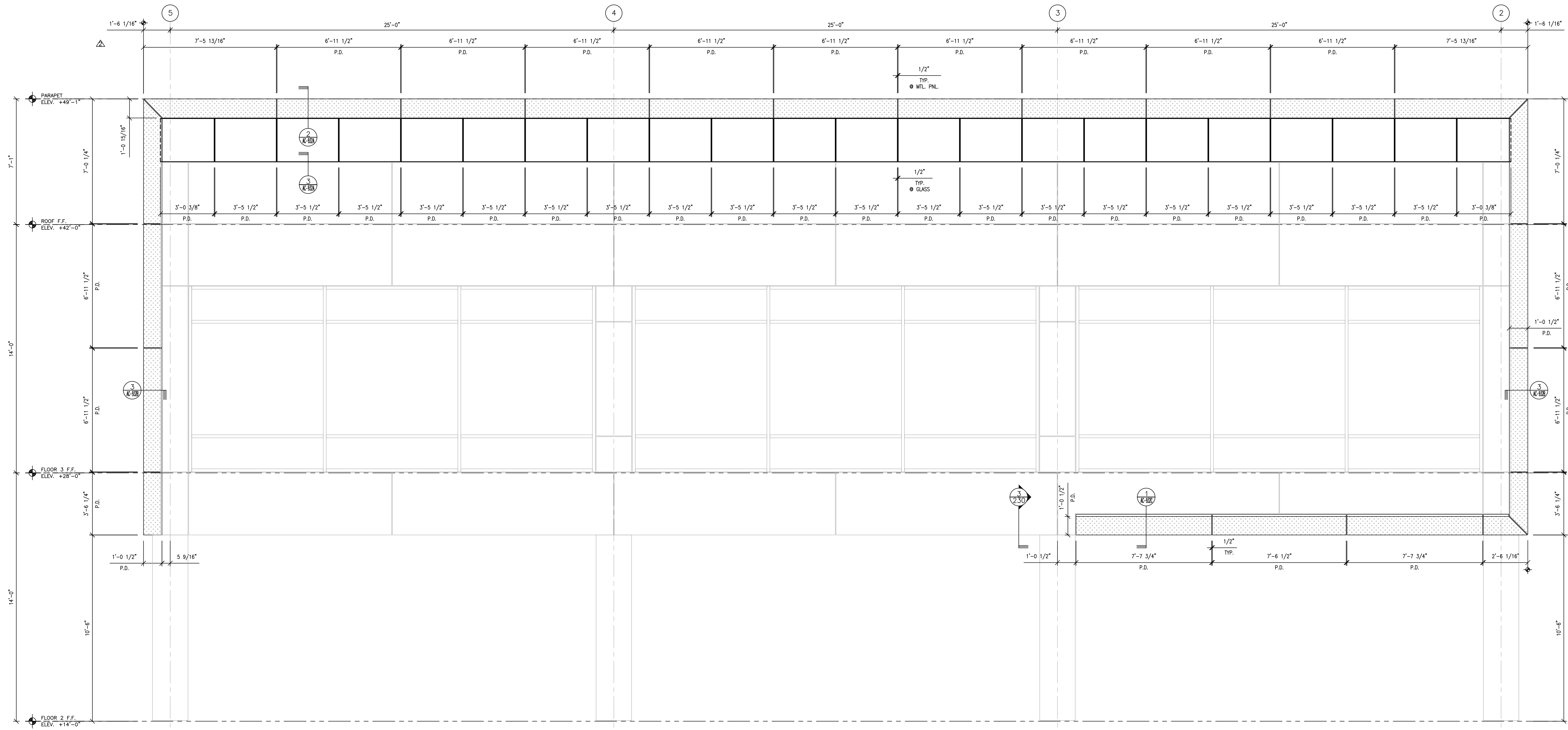
3 NORTHEAST PARTIAL PLAN @ FLR. 3  
SCALE: 3/8"=1'-0"  
ARCH. REF.: 2/A3.13

4 FLY-BY SILL PLAN  
SCALE: 3/8"=1'-0"

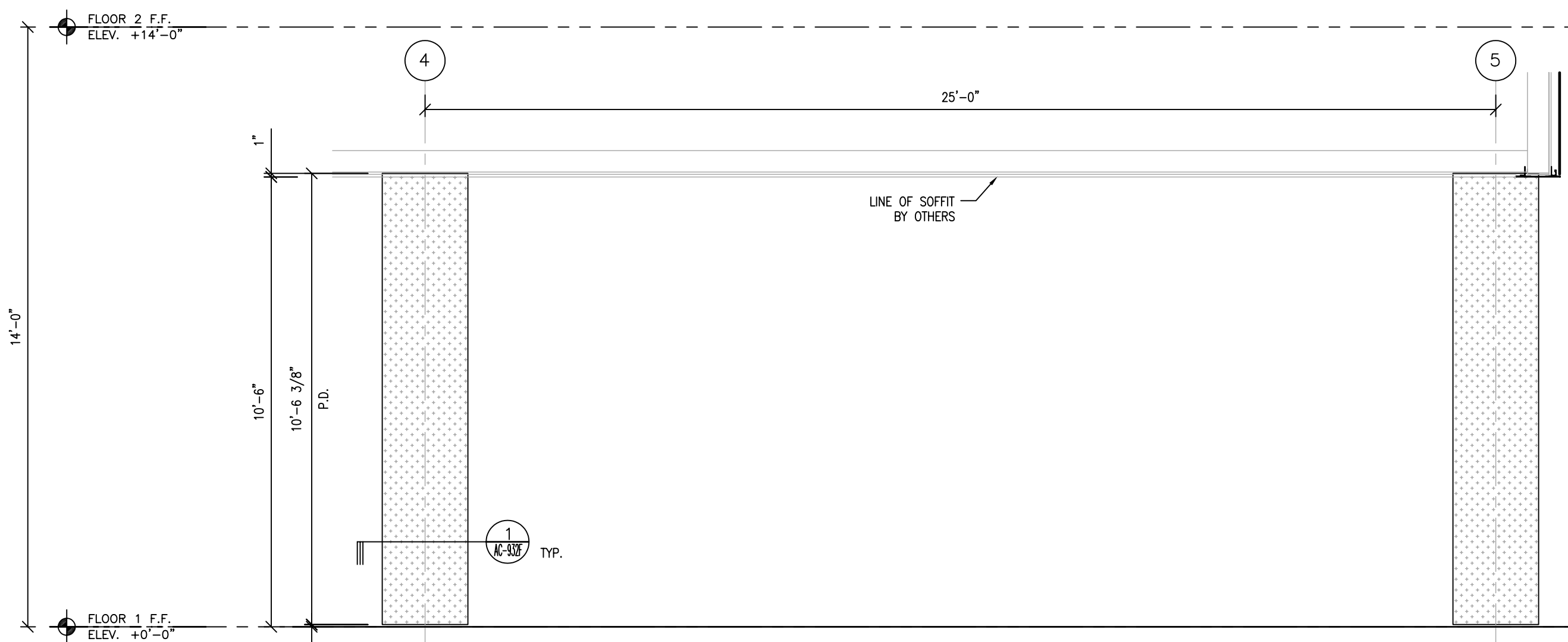
LEGEND

[Symbol]	GLASS TRANSPARENT	(2,3)
[Symbol]	GLASS TRANSLUCENT	(2,3)
[Symbol]	GLASS SPANDREL	(2,3)
[Symbol]	ALUMINUM PANELS	(2,3)
[Symbol]	PERFORATED PANELS	(2,3)
[Symbol]	ENGINEERING REQUIRED	

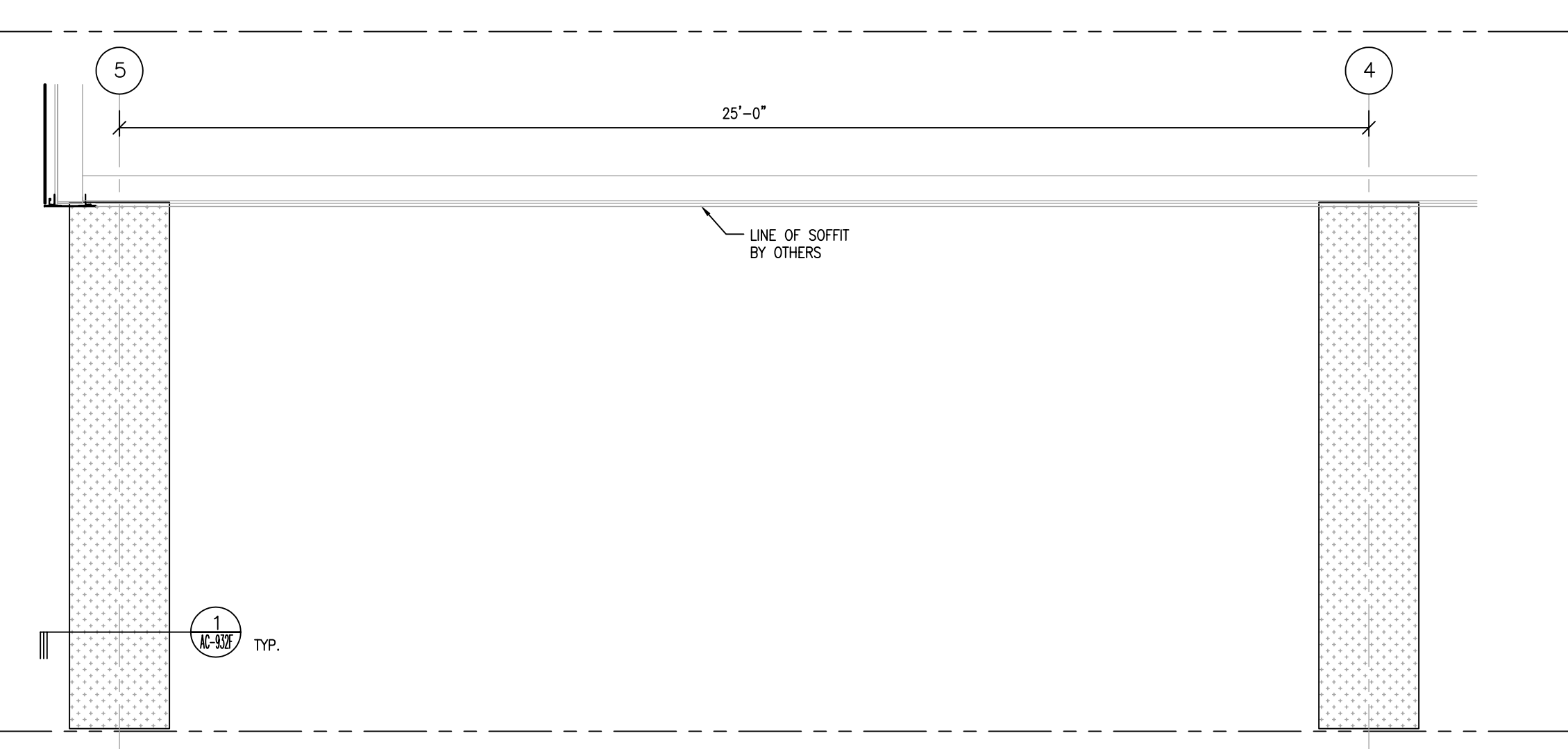




1 FLY-BY CAP ELEVATION  
SCALE: 3/8"=1'-0" ARCH. REF.: 2/A3.13



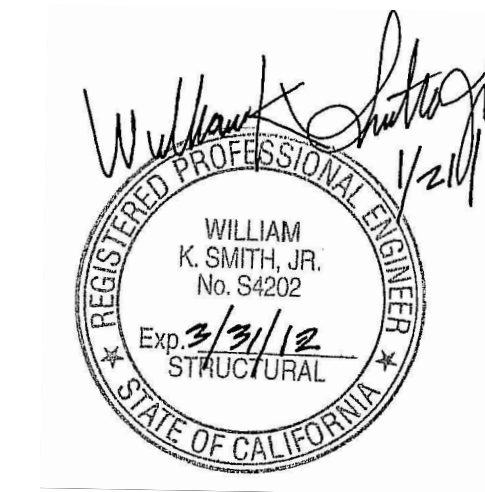
2 NORTHWEST PARTIAL ELEVATION  
SCALE: 3/8"=1'-0" ARCH. REF.:



3 NORTHWEST PARTIAL ELEVATION  
SCALE: 3/8"=1'-0" ARCH. REF.:

LEGEND

[Symbol]	GLASS TRANSPARENT	(GL.2A) (GL.2B)
[Symbol]	GLASS TRANSLUCENT	(GL.2C)
[Symbol]	GLASS SPANDREL	(GL.2D)
[Symbol]	ALUMINUM PANELS	
[Symbol]	CORRUGATED PANELS	
[Symbol]	REINFORCING REQUIRED	



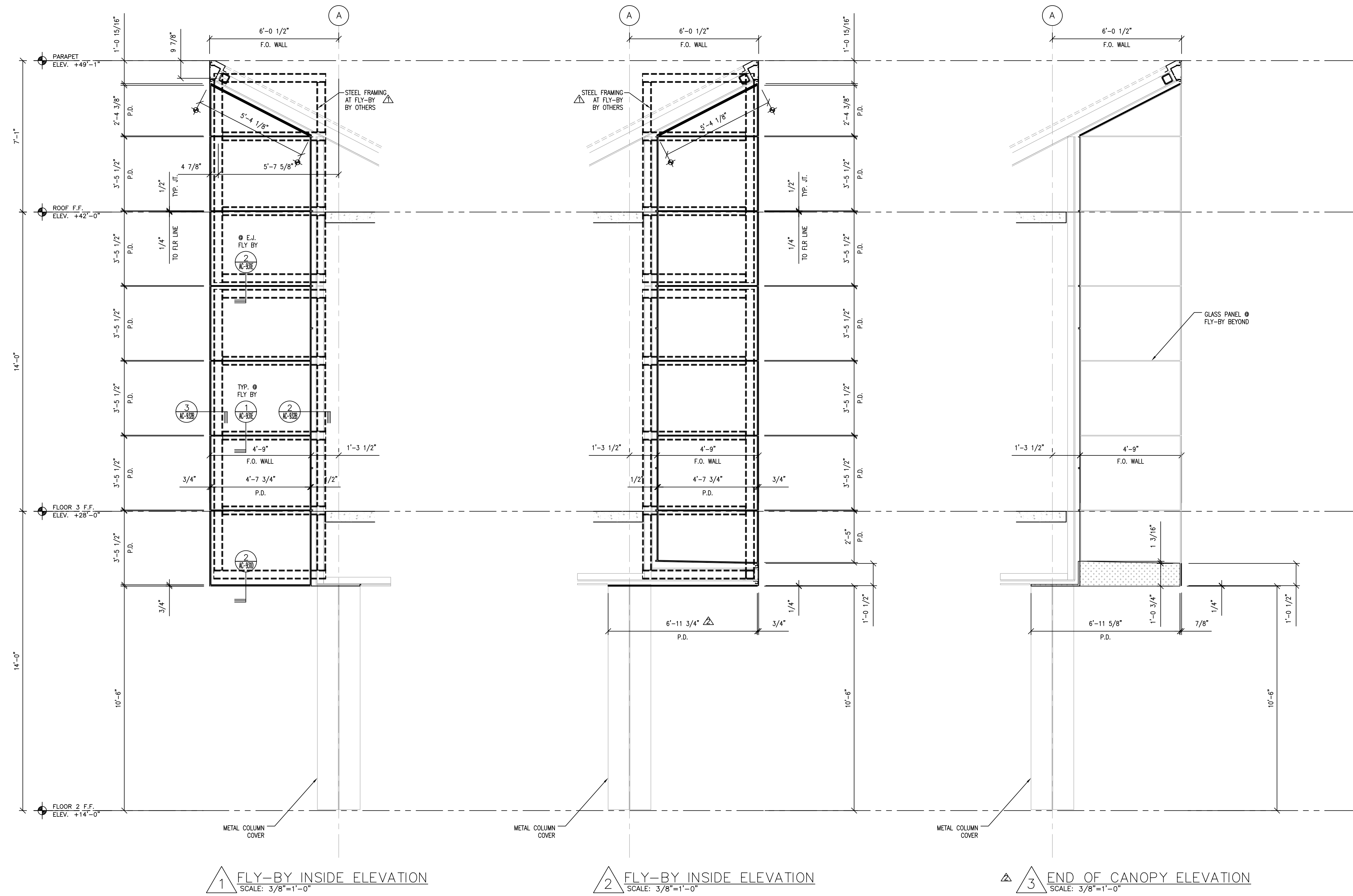
NO.	DATE	REVISION DESCRIPTION
4	10/15/10	AS BUILT
3	03-26-10	FOR RECORD
2	03-18-09	SGH, ARCH., C/S REV.
-	-	-

COLLEGE OF SAN MATEO  
BUILDING 5N  
1700 WEST HILLSDALE BOULEVARD  
SAN MATEO, CA. 94402

C/S Erectors Inc. INSTALLER OF ARCHITECTURAL PANEL SYSTEMS  
License No. 076066  
2500 OLD CROFT CANYON RD., SUITE. 320  
SAN MATEO, CA 94403  
TEL: (650) 830-8113 FAX: (650) 820-6987

DATE: 05/30/08  
SCALE: 3/8" = 1'-0"  
DRAWN BY: CDC  
JOB # D01065  
SHEET # 229  
OF -- SHEETS

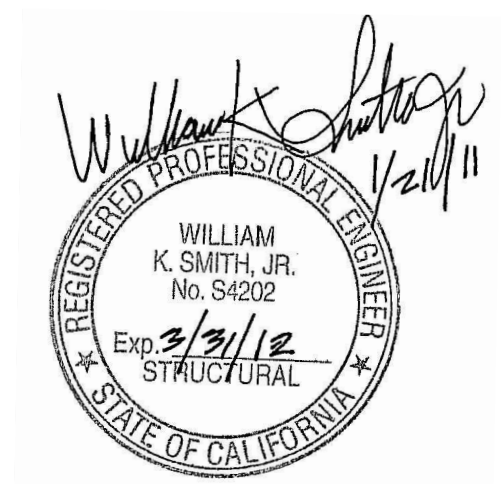




1 FLY-BY INSIDE ELEVATION  
SCALE: 3/8"=1'-0"

2 FLY-BY INSIDE ELEVATION  
SCALE: 3/8"=1'-0"

3 END OF CANOPY ELEVATION  
SCALE: 3/8"=1'-0"



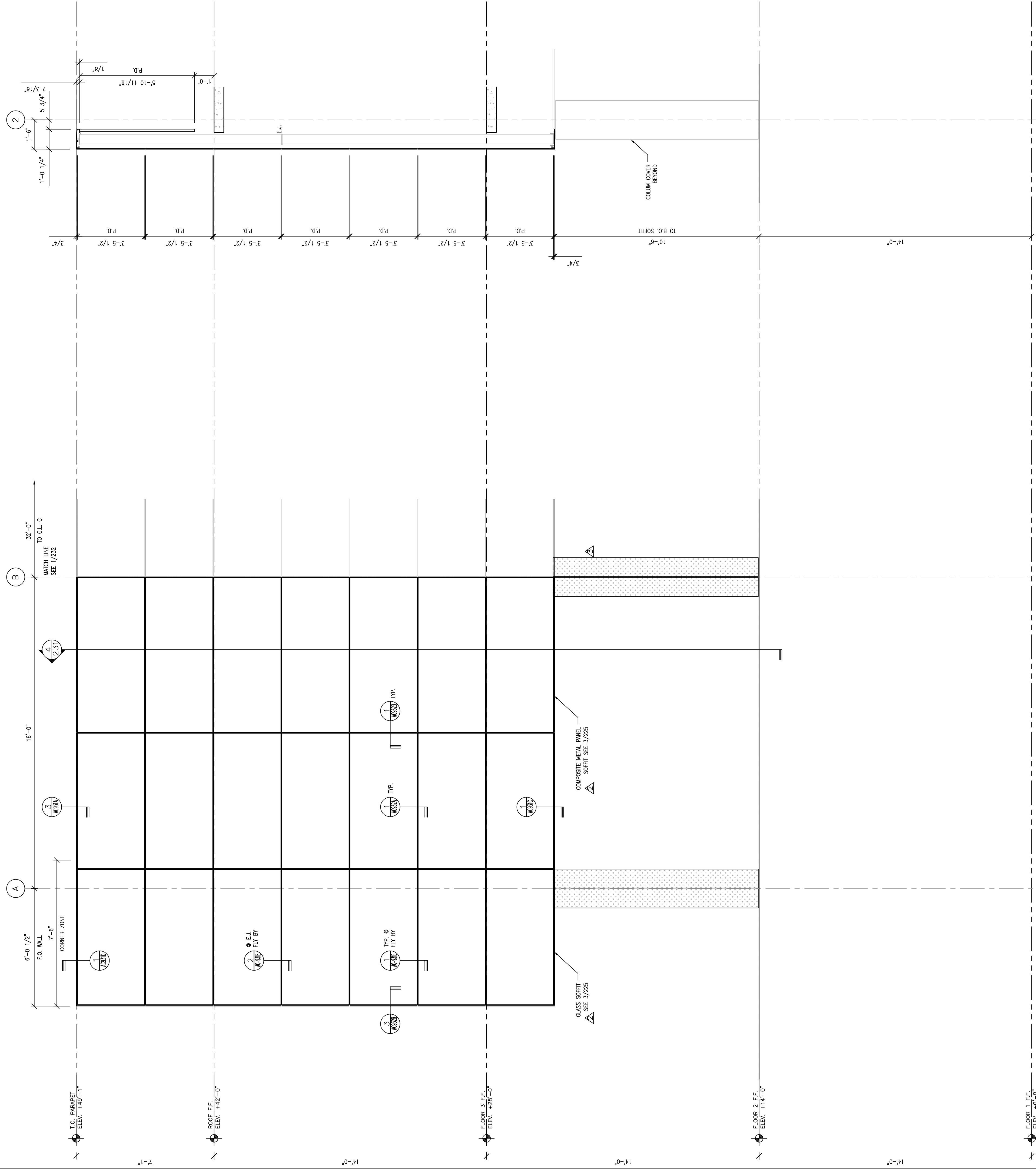
LEGEND	
[Symbol]	GLASS TRANSPARENT (GL2) (GL2B)
[Symbol]	GLASS TRANSLUCENT (GL2C)
[Symbol]	GLASS SPANDREL (GL2D)
[Symbol]	ALUMINUM PANELS
[Symbol]	CORRUGATED PANELS
[Symbol]	REINFORCING REQUIRED

NO.	DATE	REVISION DESCRIPTION
4	10/15/10	AS BUILT
3	03-26-10	FOR RECORD
2	03-18-09	SGH, ARCH, C/S REV.
1	10-09-08	PER DSA COMMENTS

COLLEGE OF SAN MATEO  
BUILDING 5N  
1700 WEST HILLSDALE BOULEVARD  
SAN MATEO, CA. 94402

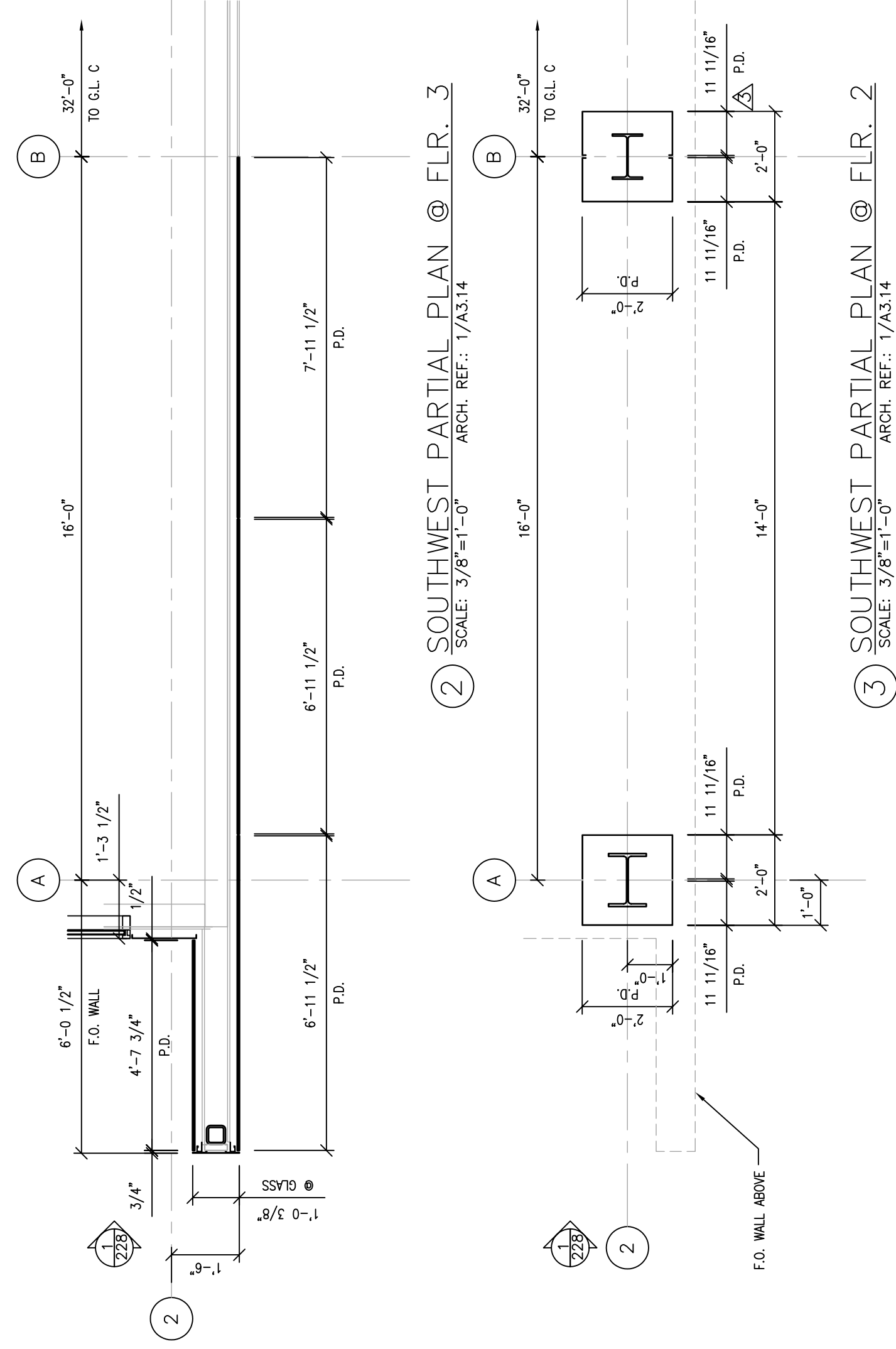
C/S ERECTORS INC. INSTALLER OF ARCHITECTURAL PANEL SYSTEMS  
License No. 076060  
2500 OLD CROFT CANYON RD. SUITE. 320  
SAN MATEO, CA 94403  
TEL: (650) 820-6113 FAX: (650) 820-6987

DATE: 05/30/08  
SCALE: 3/8" = 1'-0"  
DRAWN BY: CDC  
JOB # D01065  
SHEET # 230  
OF -- SHEETS



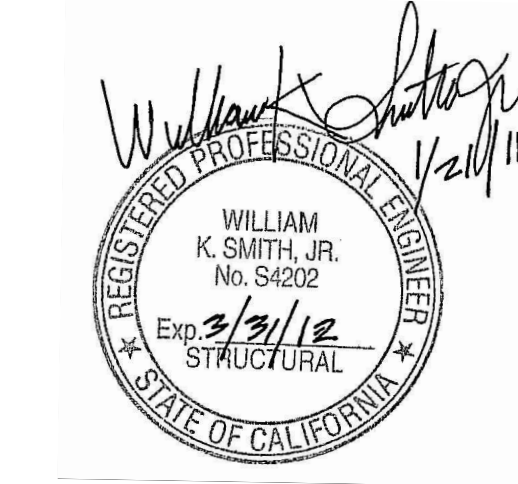
1) SOUTHWEST PARTIAL ELEVATION  
SCALE: 3/8"=1'-0" ARCH. REF.: 1/A3.14

4) SECTION  
SCALE: 3/8"=1'-0"



2) SOUTHWEST PARTIAL PLAN @ FLR. 3  
SCALE: 3/8"=1'-0" ARCH. REF.: 1/A3.14

3) SOUTHWEST PARTIAL PLAN @ FLR. 2  
SCALE: 3/8"=1'-0" ARCH. REF.: 1/A3.14



LEGEND

[Symbol]	GLASS TRANSPARENT
[Symbol]	GLASS TRANSLUCENT
[Symbol]	GLASS SPANDREL
[Symbol]	ALUMINUM PANELS
[Symbol]	CORUGATED PANELS
[Symbol]	REFERENCING REQUIRED

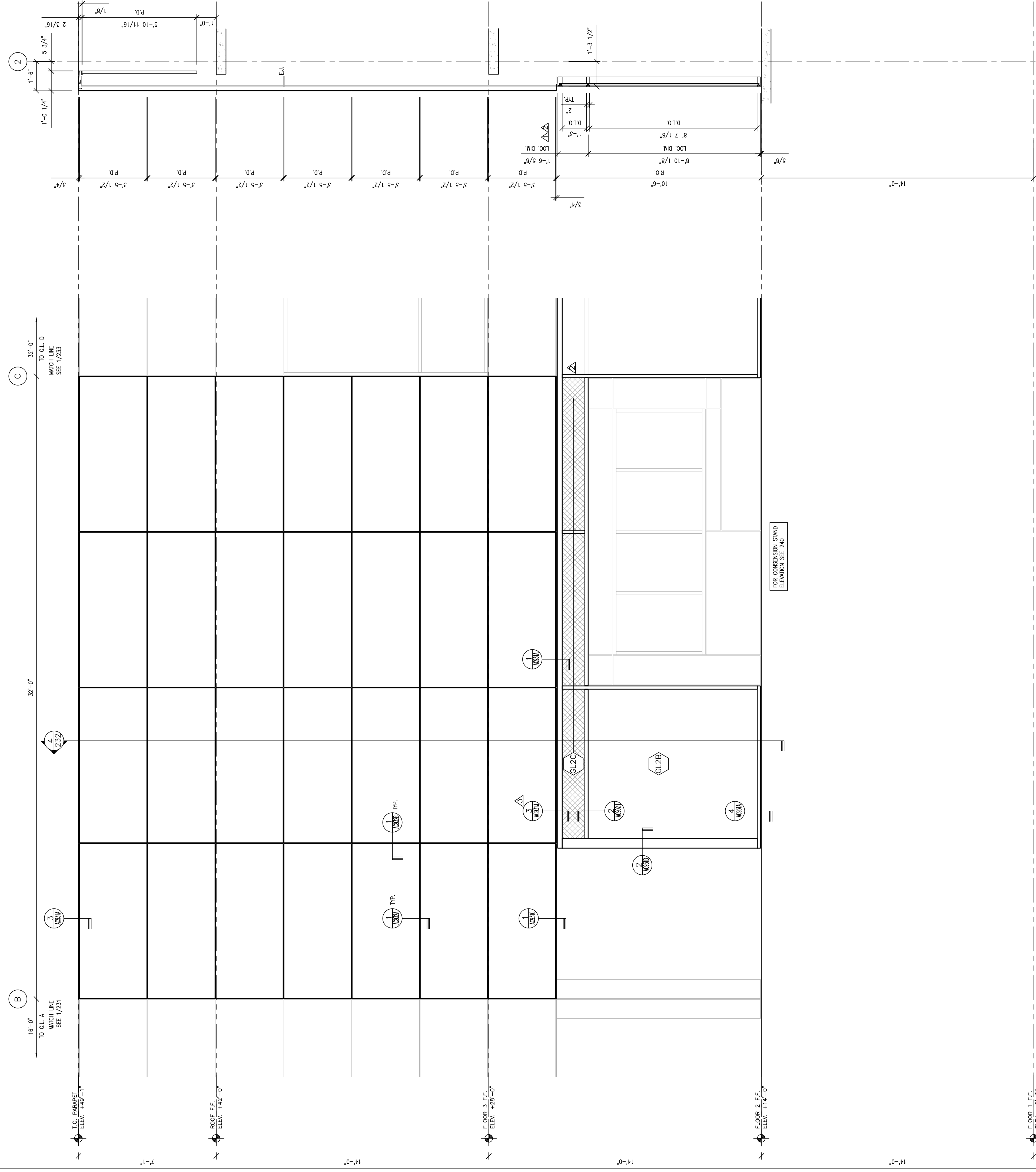
C/S Erectors Inc. DIVISOR OF ARCHITECTURAL FRAME SYSTEMS  
License No. 076006

2500 OLD CROFT CANYON RD. SUITE. 320  
SAN MATEO, CA 94403  
TEL: (925) 820-8113 FAX: (925) 820-8987

DATE: 05/30/08  
SCALE: 3/8" = 1'-0"  
DRAWN BY: CDC  
JOB # D01034  
SHEET # 231  
OF 1 SHEETS

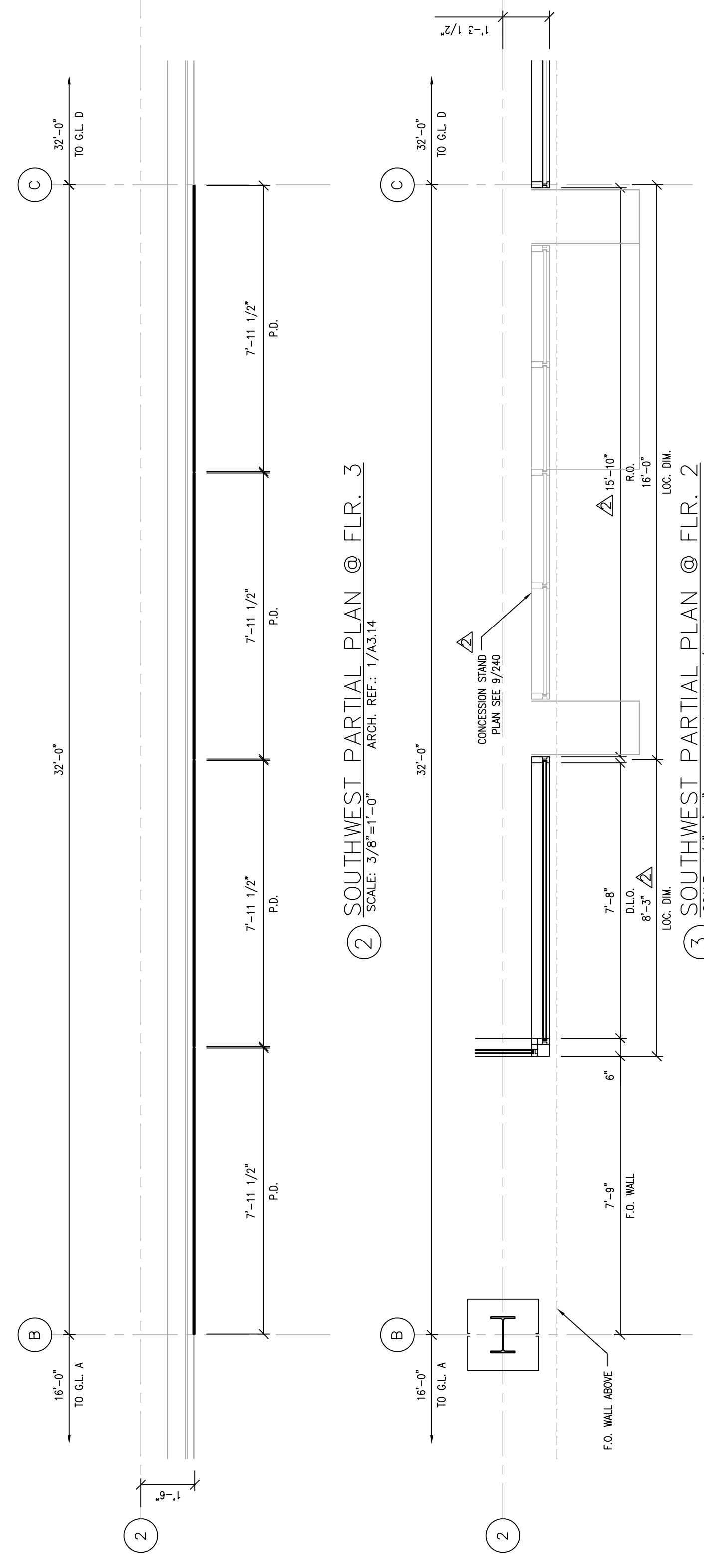
COLLEGE OF SAN MATEO  
BUILDING 5N  
1700 WEST HILLSDALE BOULEVARD  
SAN MATEO, CA. 94402

NO.	DATE	REVISION DESCRIPTION
4	03-26-10	FOR RECORD
3	05-18-09	FOR CONSTRUCTION
2	03-18-09	SGH, ARCH. C/S REV.
-	-	-



1 **SOUTHWEST PARTIAL ELEVATION**  
SCALE: 3/8"=1'-0"  
ARCH. REF.: 1/A314

4 **SECTION**  
SCALE: 3/8"=1'-0"



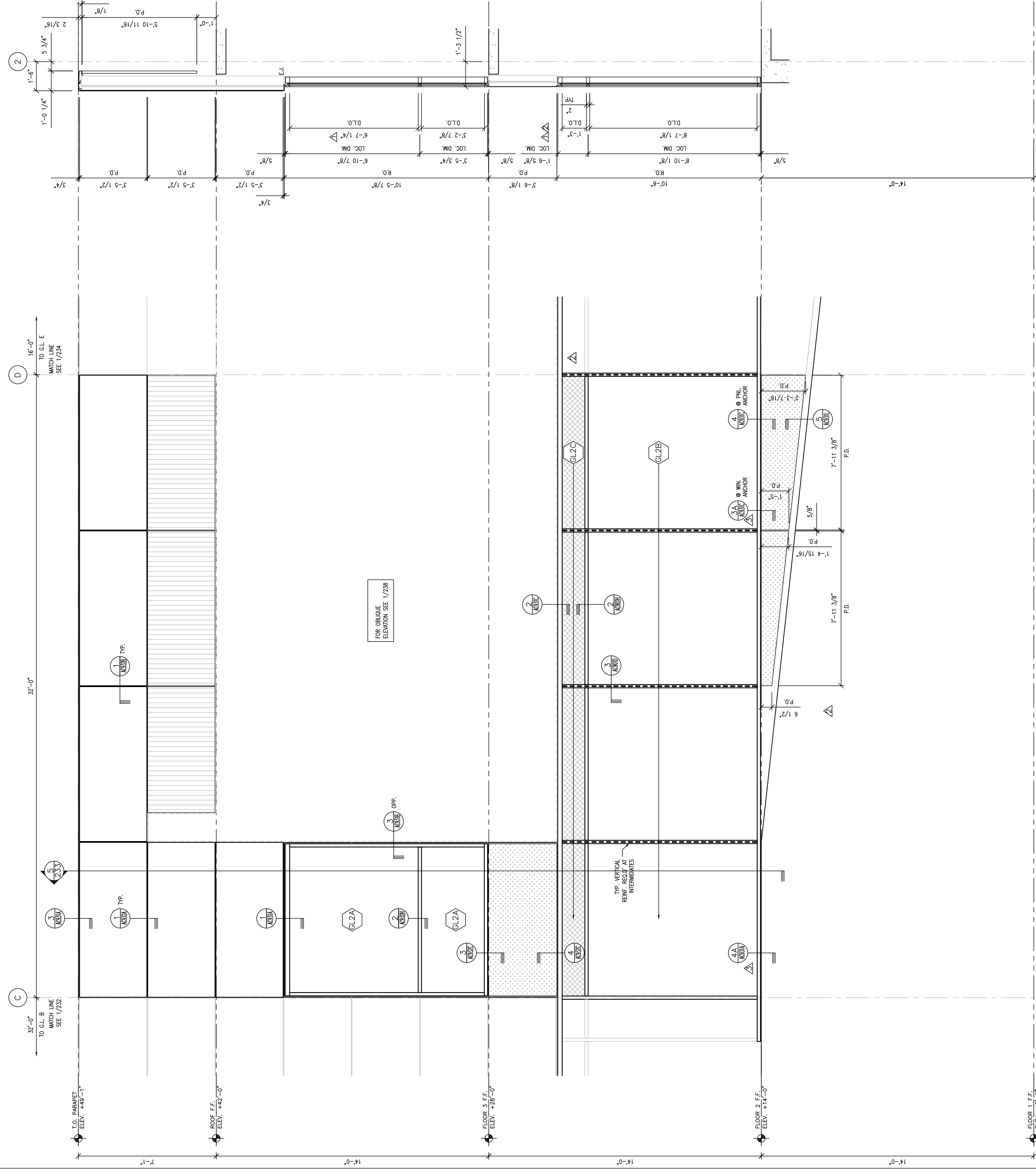
2 **SOUTHWEST PARTIAL PLAN @ FLR. 3**  
SCALE: 3/8"=1'-0"  
ARCH. REF.: 1/A314

3 **SOUTHWEST PARTIAL PLAN @ FLR. 2**  
SCALE: 3/8"=1'-0"  
ARCH. REF.: 1/A314

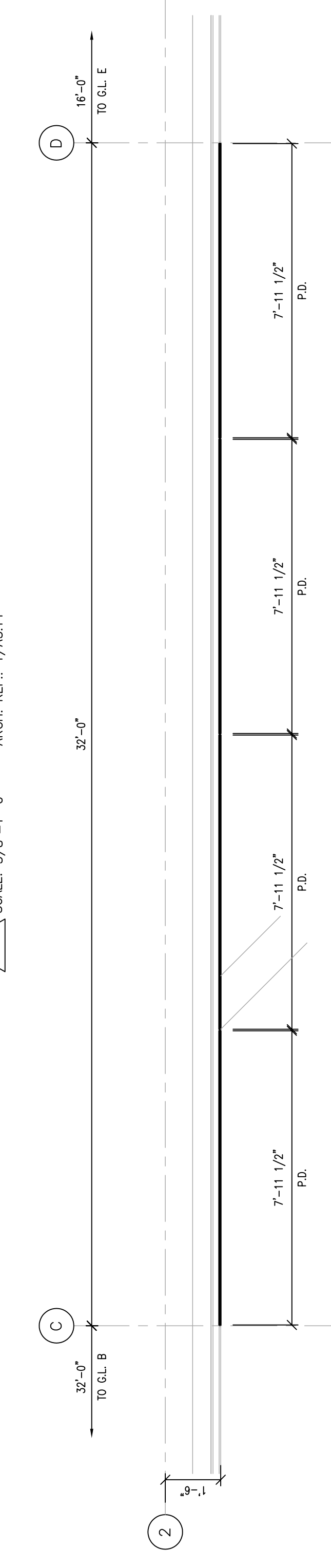
LEGEND

[Symbol]	GLASS TRANSPARENT	(6.2)	(6.2)
[Symbol]	GLASS TRANSLUCENT	(6.2)	(6.2)
[Symbol]	GLASS SPANDREL	(6.2)	(6.2)
[Symbol]	ALUMINUM PANELS	(6.2)	(6.2)
[Symbol]	CORUGATED PANELS	(6.2)	(6.2)
[Symbol]	ENGINEERING REQUIRED		

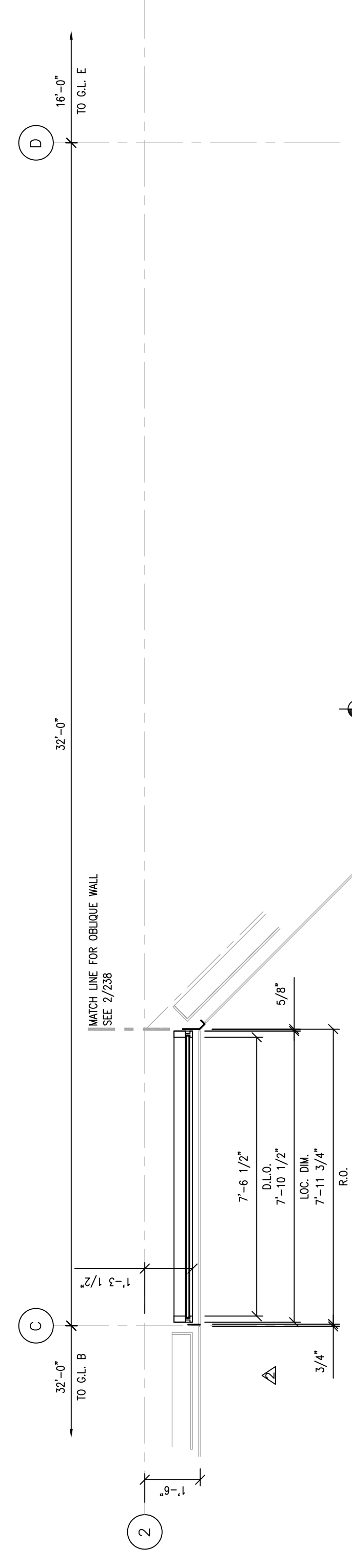
*William K. Smith, Jr.*  
WILLIAM K. SMITH, JR.  
No. S4202  
Exp. 3/31/12  
REGISTERED PROFESSIONAL ENGINEER  
STATE OF CALIFORNIA



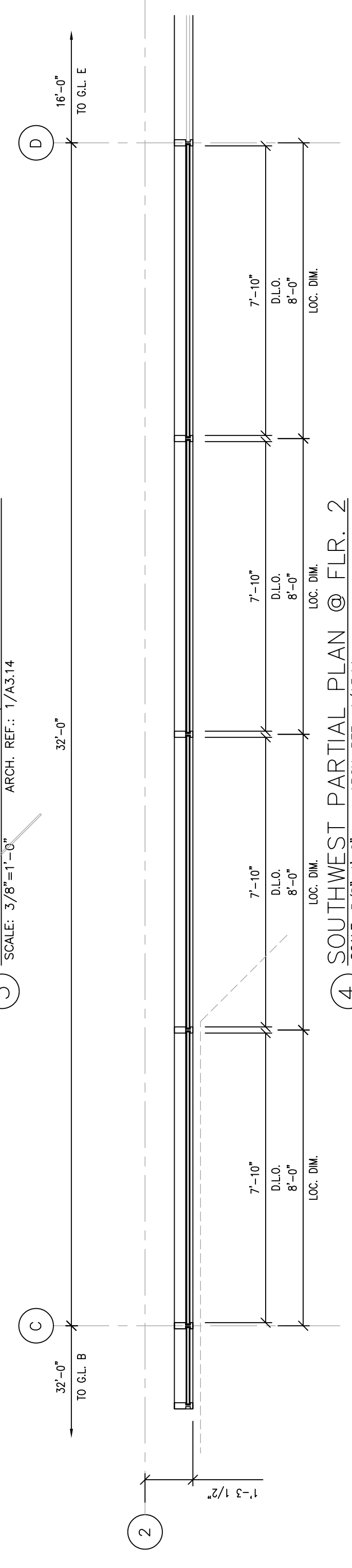
1 **SOUTHWEST PARTIAL ELEVATION**  
SCALE: 3/8"=1'-0"  
ARCH. REF.: 1/A314



2 **SOUTHWEST PARTIAL PLAN @ ROOF**  
SCALE: 3/8"=1'-0"  
ARCH. REF.: 1/A314



3 **SOUTHWEST PARTIAL PLAN @ FLR. 3**  
SCALE: 3/8"=1'-0"  
ARCH. REF.: 1/A314

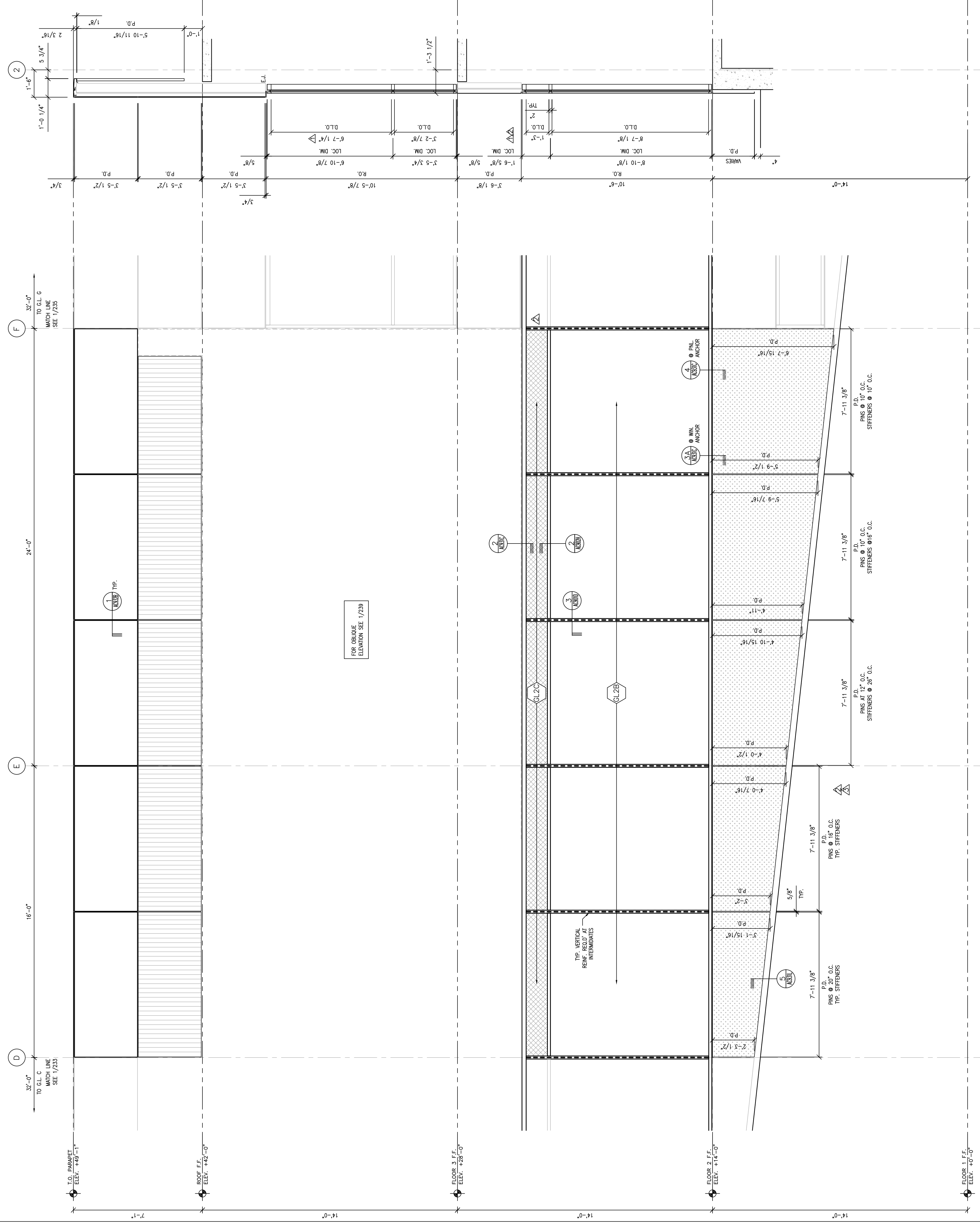


4 **SOUTHWEST PARTIAL PLAN @ FLR. 2**  
SCALE: 3/8"=1'-0"  
ARCH. REF.: 1/A314

*William K. Smith*  
REGISTERED PROFESSIONAL ENGINEER  
STATE OF CALIFORNIA  
No. 54202  
Exp. 3/31/12  
STRUCTURAL

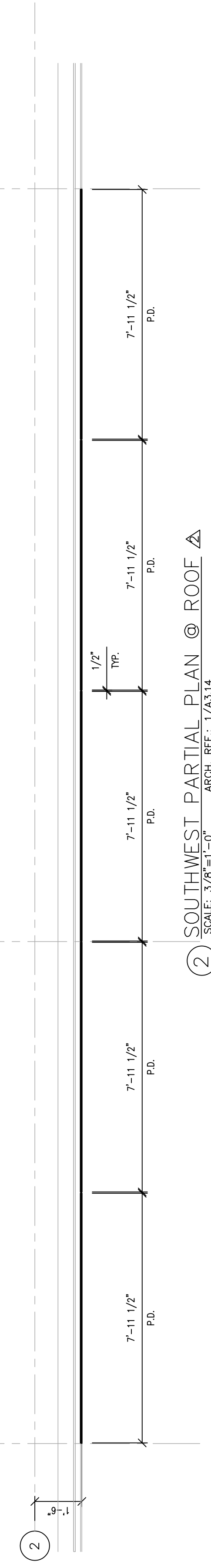
LEGEND

	GLASS TRANSPARENT
	GLASS TRANSLUCENT
	GLASS SPANDELT
	ALUMINUM PANELS
	CORRUGATED PANELS
	ENGINEERING REQUIRED

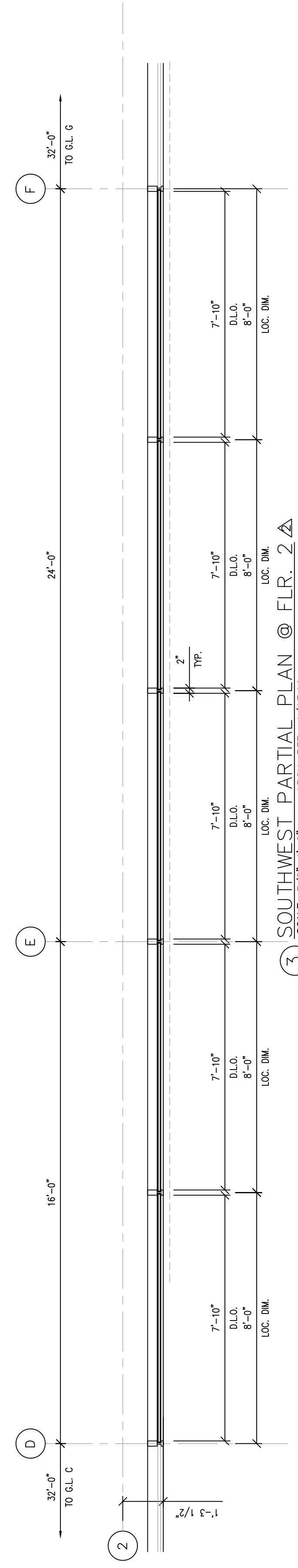


5 SECTION  
SCALE: 3/8"=1'-0"

1 SOUTHWEST PARTIAL ELEVATION  
SCALE: 3/8"=1'-0" ARCH. REF.: 1/A3.14



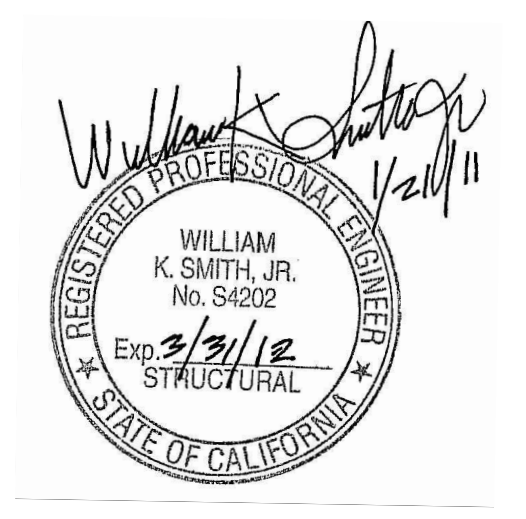
2 SOUTHWEST PARTIAL PLAN @ FLOOR 2  
SCALE: 3/8"=1'-0" ARCH. REF.: 1/A3.14

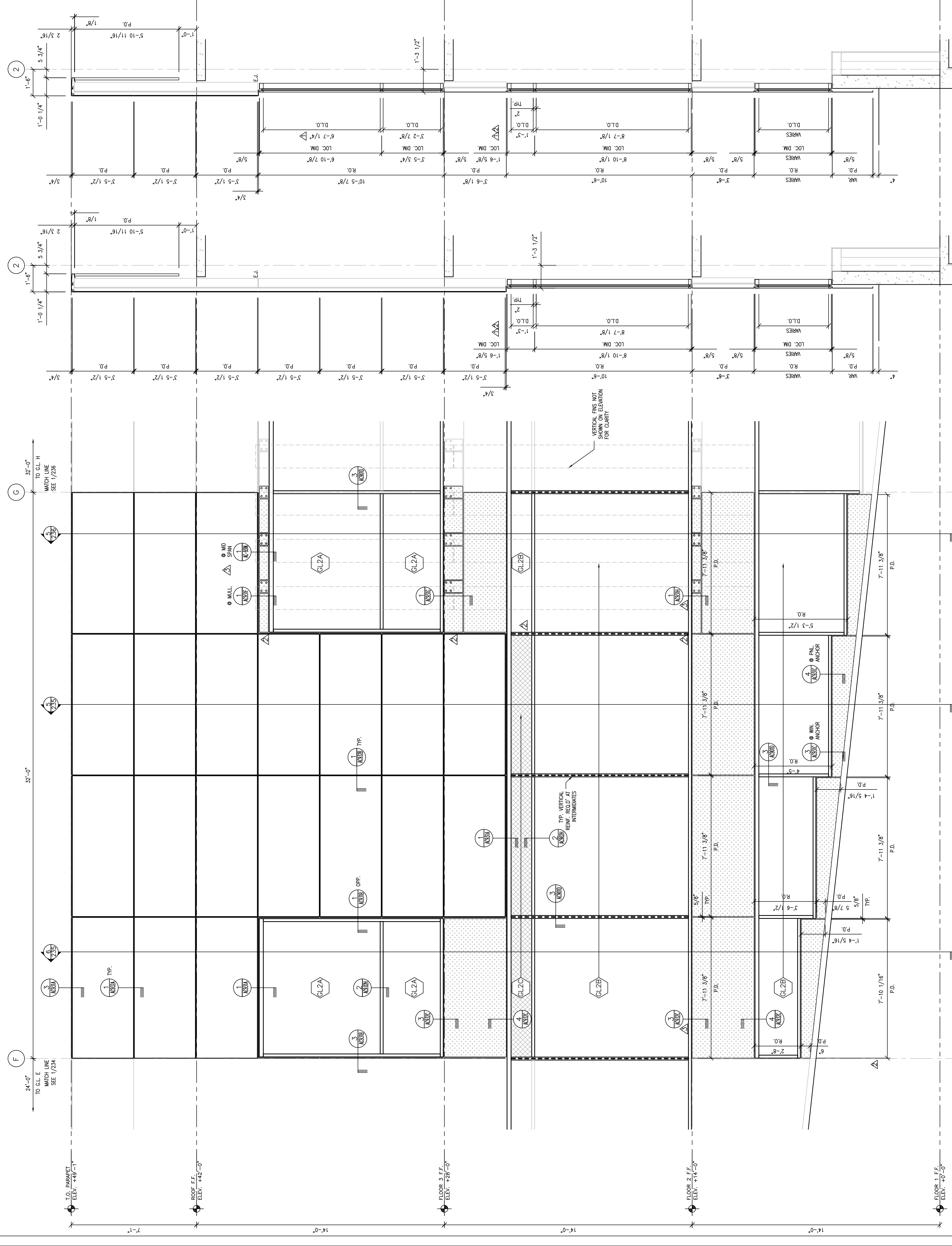


3 SOUTHWEST PARTIAL PLAN @ FLOOR 2  
SCALE: 3/8"=1'-0" ARCH. REF.: 1/A3.14

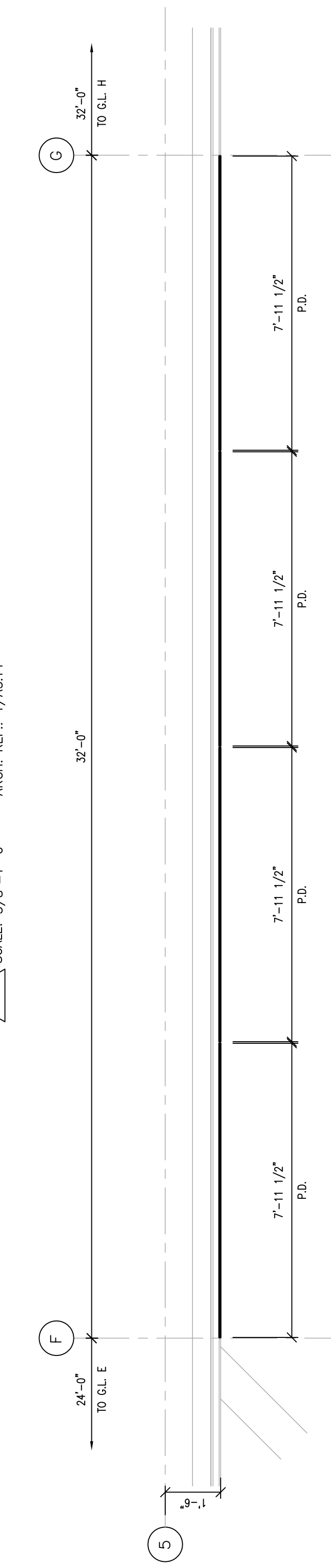
LEGEND

[Symbol]	GLASS TRANSPARENT	(2.2) (2.29)
[Symbol]	GLASS TRANSLUCENT	(2.2)
[Symbol]	GLASS SPANDREL	(2.2)
[Symbol]	ALUMINUM PANELS	(2.2)
[Symbol]	CORUGATED PANELS	
[Symbol]	REFERENCING REQUIRED	

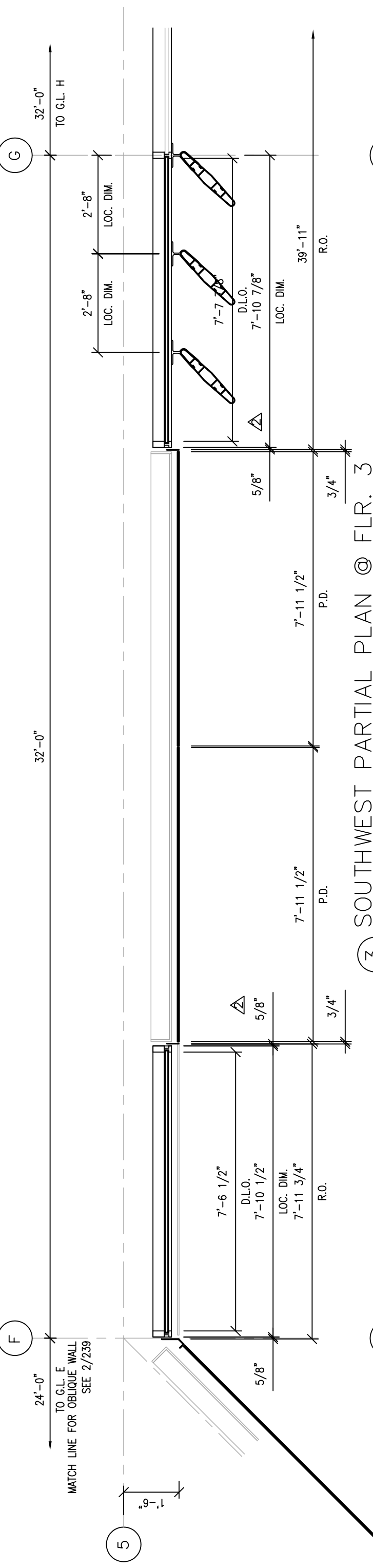




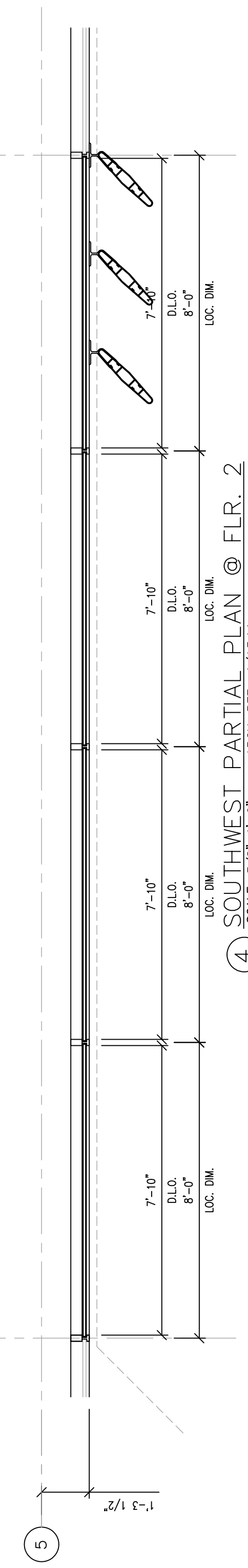
1. SOUTHWEST PARTIAL ELEVATION  
SCALE: 3/8"=1'-0"  
ARCH. REF.: 1/A3114



2. SOUTHWEST PARTIAL PLAN @ ROOF  
SCALE: 3/8"=1'-0"  
ARCH. REF.: 1/A3114



3. SOUTHWEST PARTIAL PLAN @ FLR. 3  
SCALE: 3/8"=1'-0"  
ARCH. REF.: 1/A3114



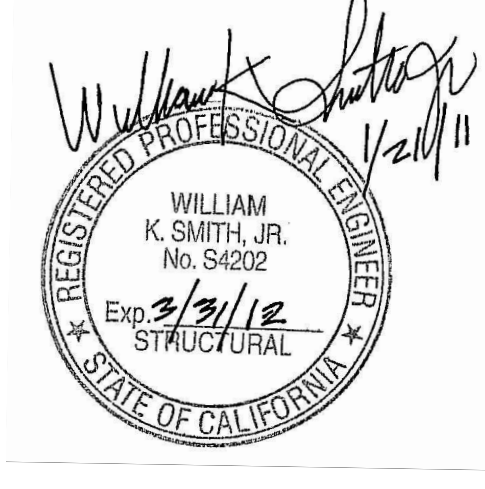
4. SOUTHWEST PARTIAL PLAN @ FLR. 2  
SCALE: 3/8"=1'-0"  
ARCH. REF.: 1/A3114

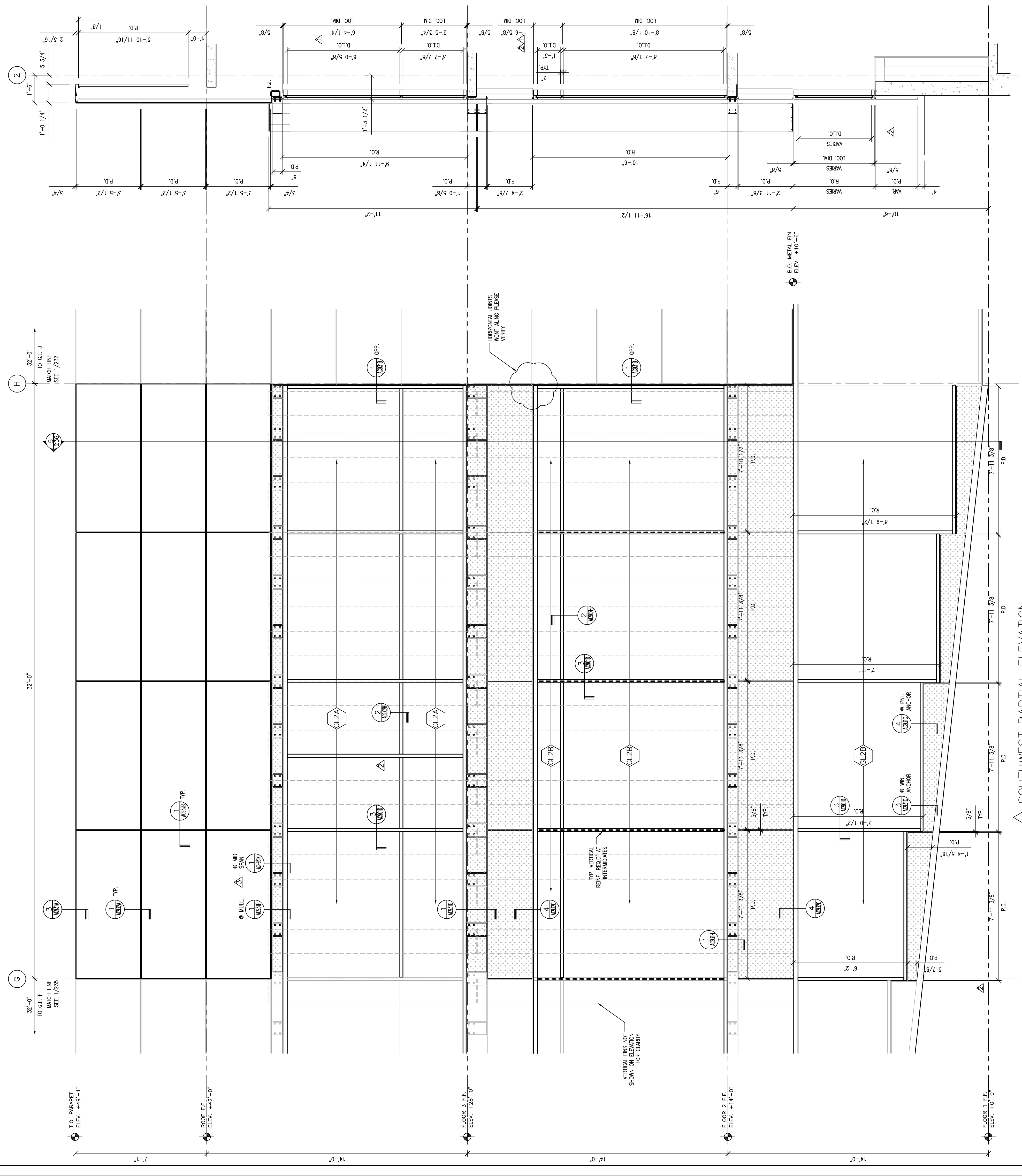
5. SECTION  
SCALE: 3/8"=1'-0"

6. SECTION  
SCALE: 3/8"=1'-0"

LEGEND

[Symbol]	GLASS TRANSPARENT
[Symbol]	GLASS TRANSLUCENT
[Symbol]	GLASS SPANDREL
[Symbol]	ALUMINUM PANELS
[Symbol]	CORUGATED PANELS
[Symbol]	FINISHING REQUIRED





1. SOUTHWEST PARTIAL ELEVATION  
SCALE: 3/8"=1'-0"  
ARCH. REF.: 1/A3.14

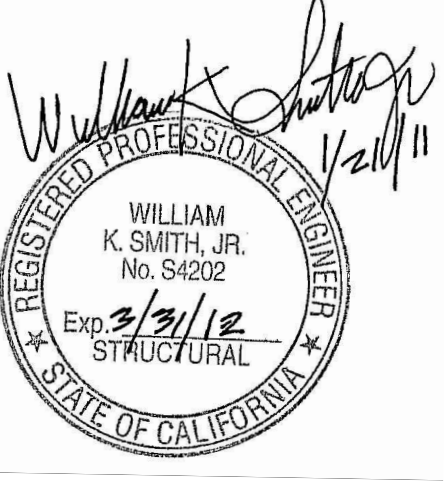
2. SOUTHWEST PARTIAL PLAN @ ROOF  
SCALE: 3/8"=1'-0"  
ARCH. REF.: 1/A3.14

3. SOUTHWEST PARTIAL PLAN @ FLR. 3  
SCALE: 3/8"=1'-0"  
ARCH. REF.: 1/A3.14

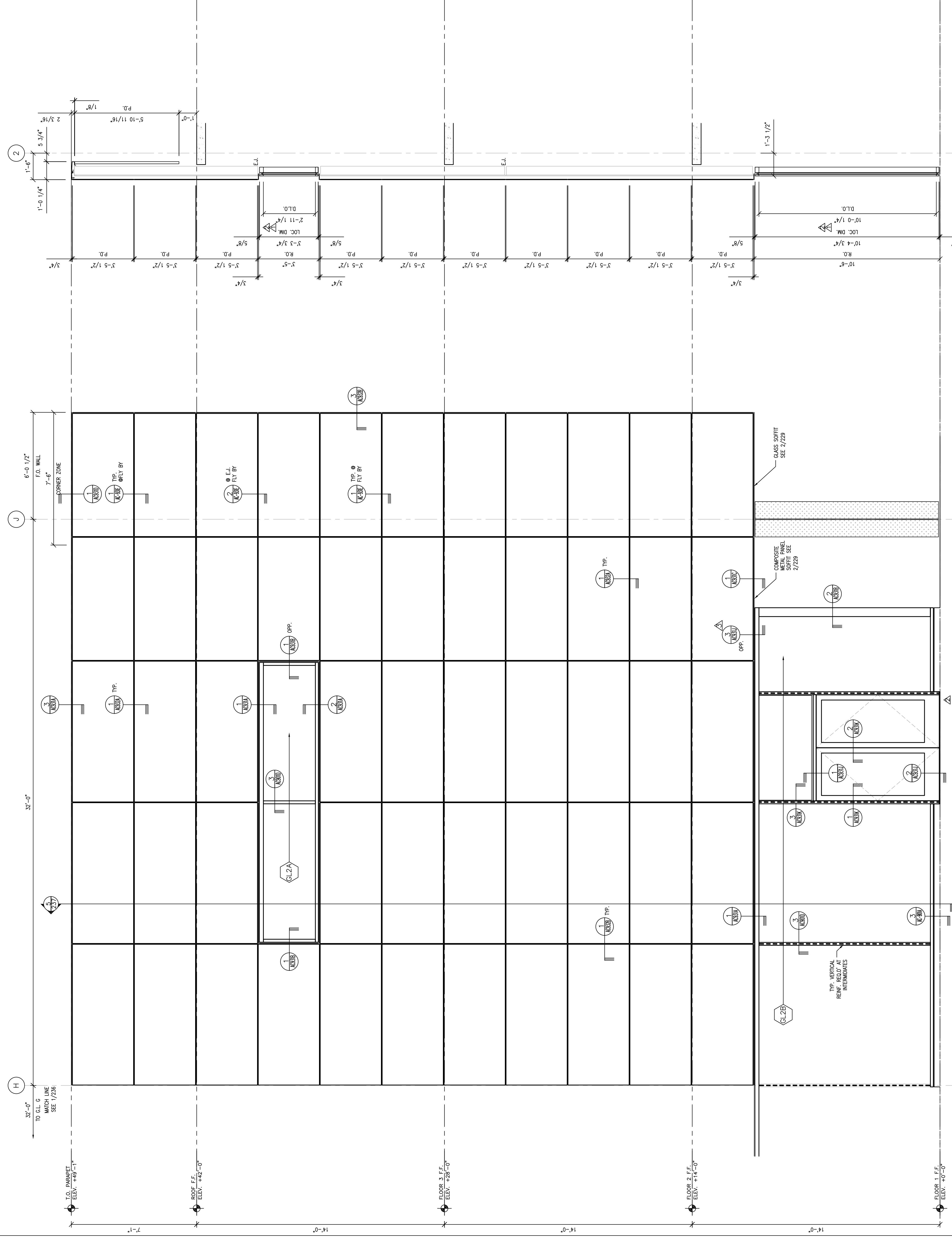
4. SOUTHWEST PARTIAL PLAN @ FLR. 2  
SCALE: 3/8"=1'-0"  
ARCH. REF.: 1/A3.14

LEGEND

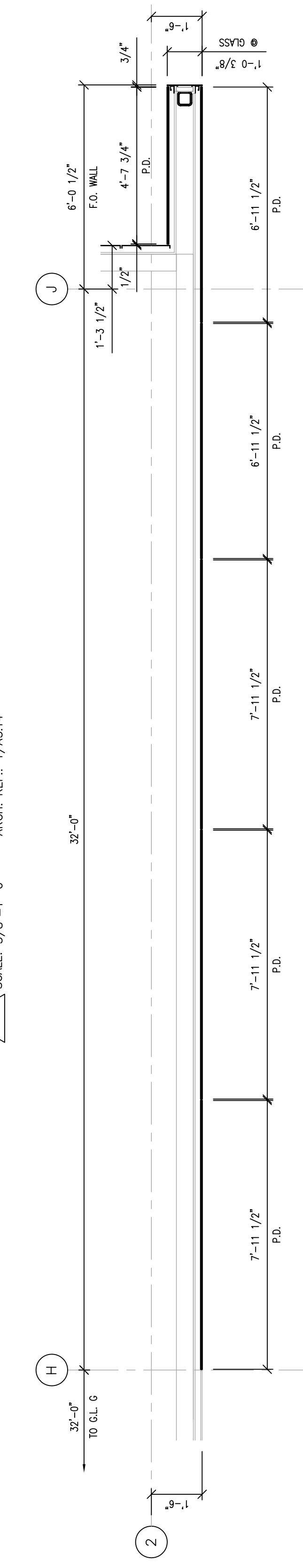
[Symbol]	GLASS TRANSPARENT	(2.2) (2.29)
[Symbol]	GLASS TRANSLUCENT	(2.2)
[Symbol]	GLASS SPANDREL	(2.2)
[Symbol]	ALUMINUM PANELS	(2.2)
[Symbol]	CORUGATED PANELS	
[Symbol]	REFERENCING REQUIRED	



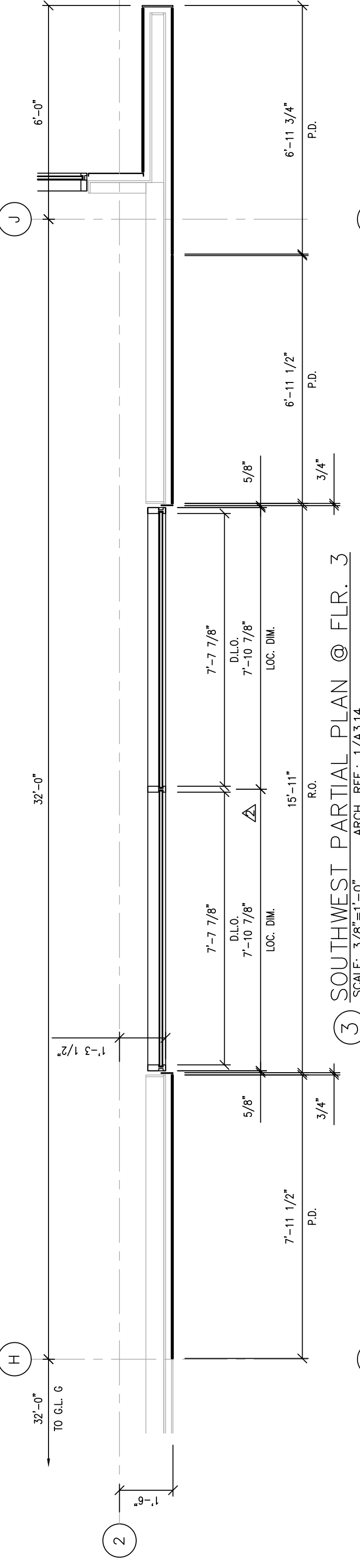
NO.	DATE	REVISION DESCRIPTION
5	10/15/10	AS BUILT
4	03-26-10	FOR RECORD
3	05-18-09	FOR CONSTRUCTION
2	03-18-09	SGH, ARCH, C/S REV.
1	10-09-08	PER DSA COMMENTS



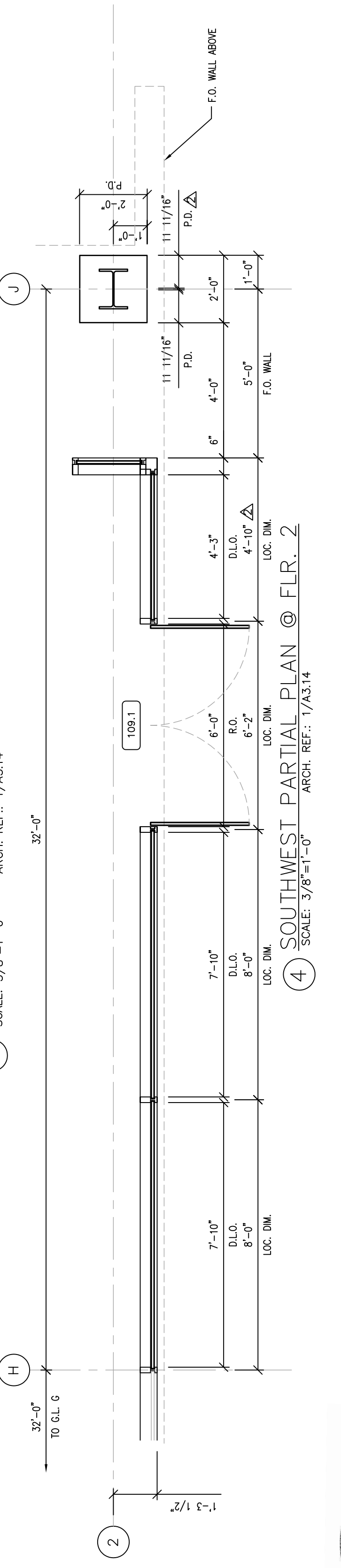
1 SOUTHWEST PARTIAL ELEVATION  
SCALE: 3/8"=1'-0" ARCH. REF.: 1/A3.14



2 SOUTHWEST PARTIAL PLAN @ ROOF  
SCALE: 3/8"=1'-0" ARCH. REF.: 1/A3.14



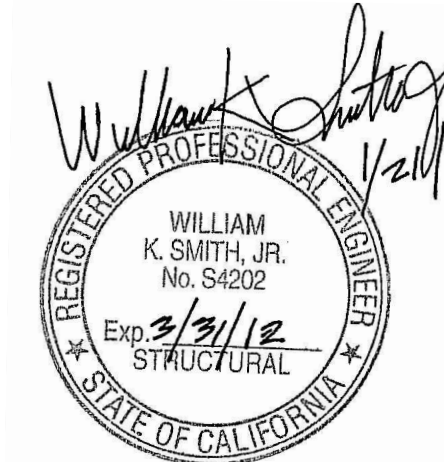
3 SOUTHWEST PARTIAL PLAN @ FLR. 3  
SCALE: 3/8"=1'-0" ARCH. REF.: 1/A3.14



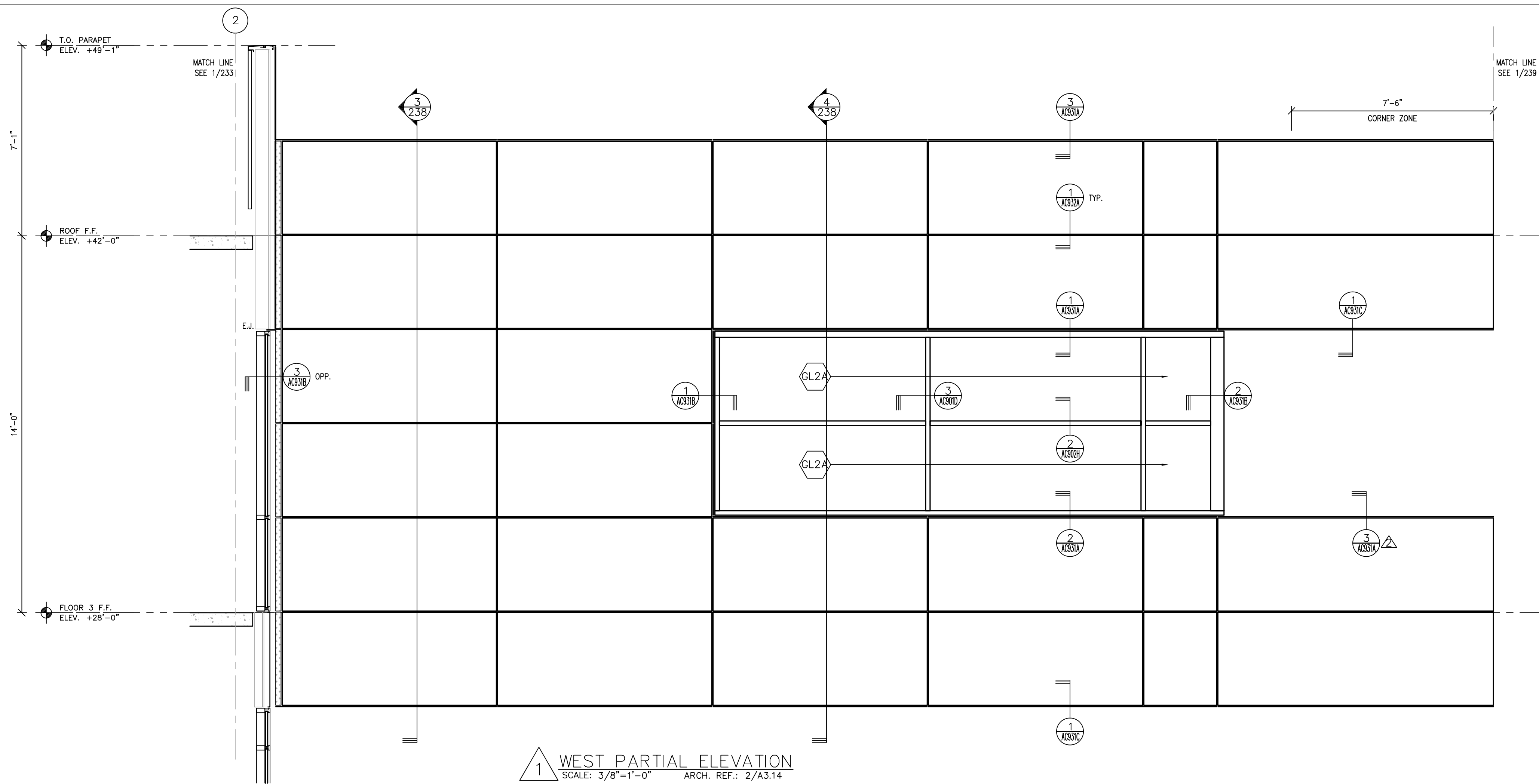
4 SOUTHWEST PARTIAL PLAN @ FLR. 2  
SCALE: 3/8"=1'-0" ARCH. REF.: 1/A3.14

LEGEND

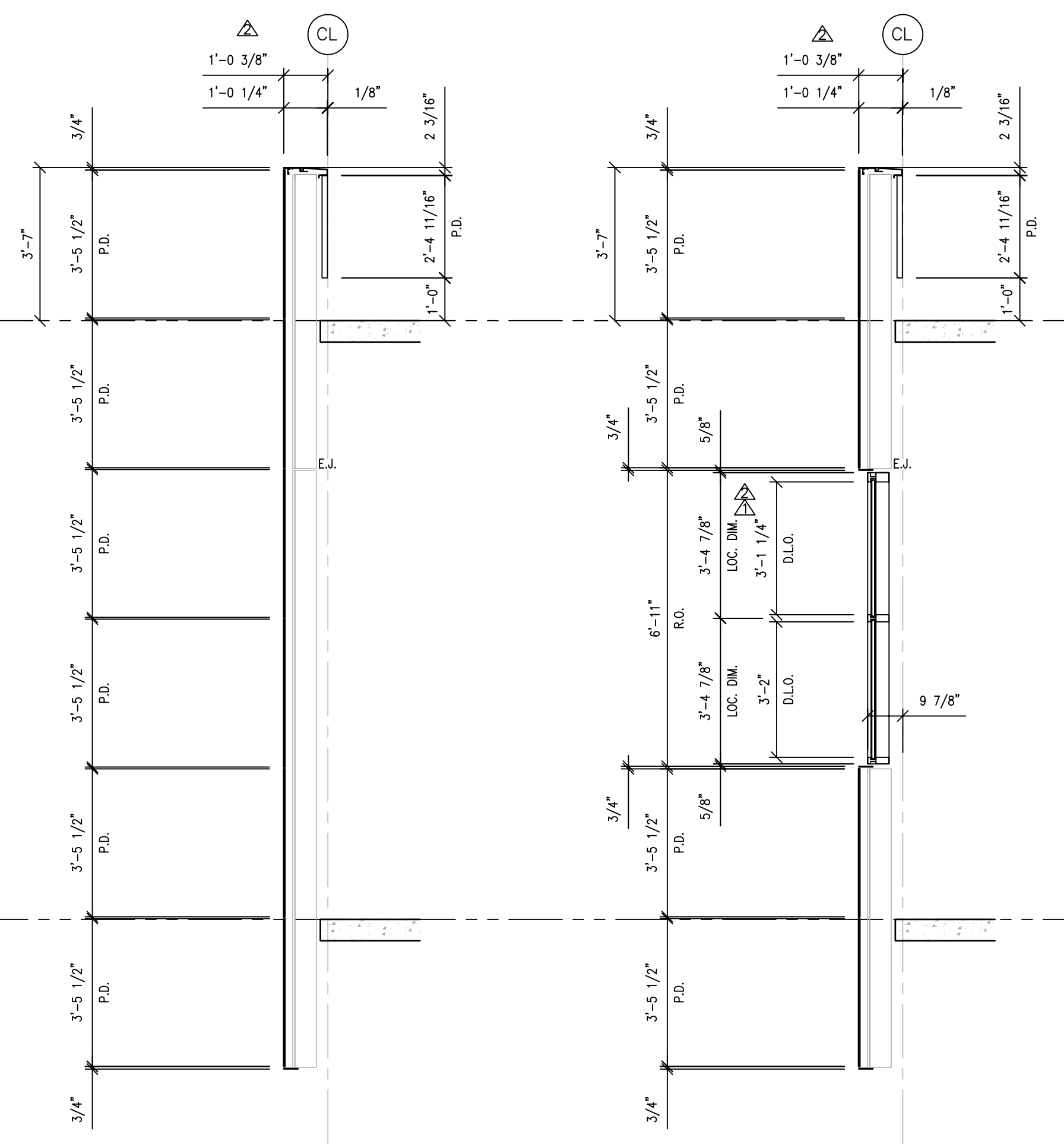
	GLASS TRANSPARENT
	GLASS TRANSLUCENT
	GLASS SPANDELT
	ALUMINUM PANELS
	CORRUGATED PANELS
	FINISHING REQUIRED





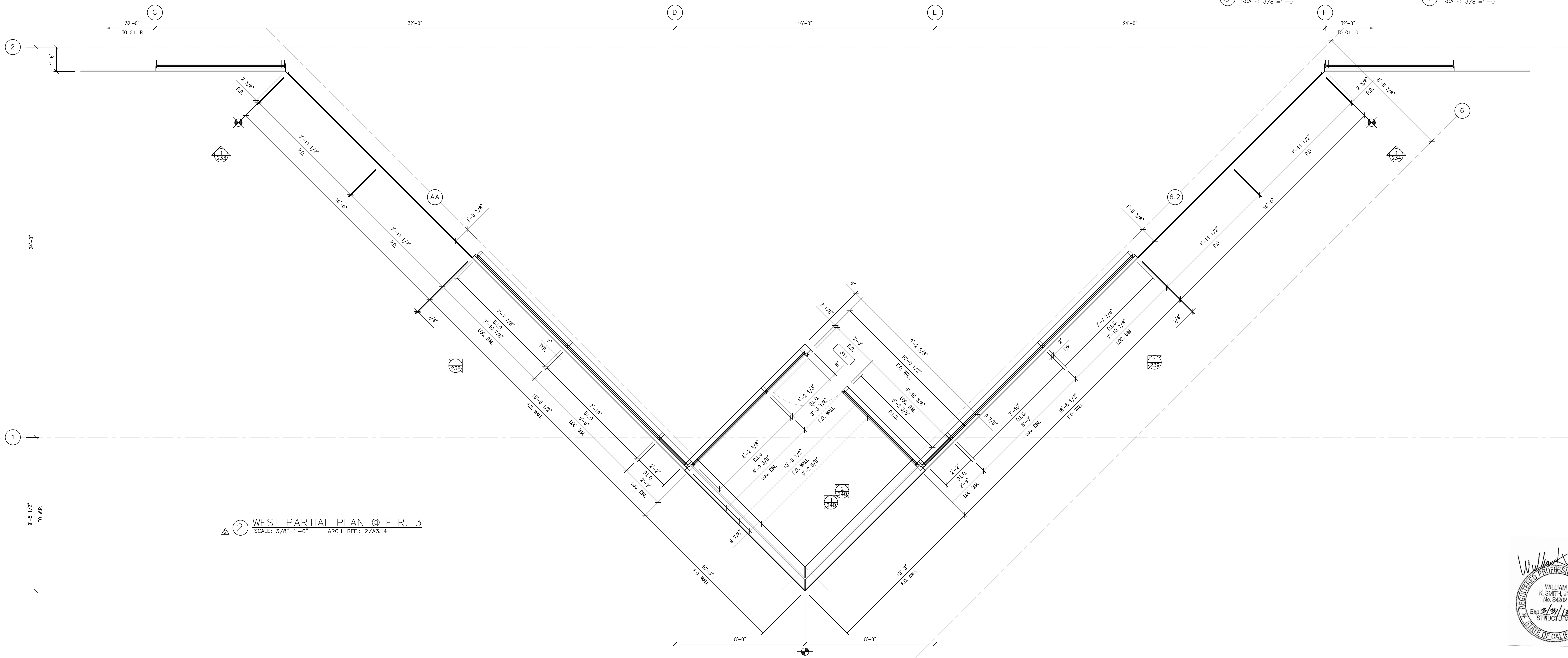


1 WEST PARTIAL ELEVATION  
SCALE: 3/8"=1'-0" ARCH. REF.: 2/A3.14

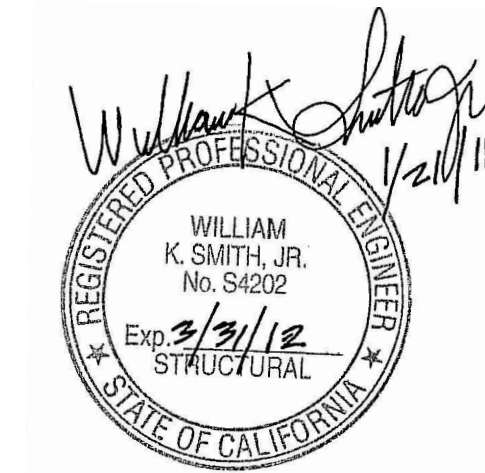


3 SECTION  
SCALE: 3/8"=1'-0"

4 SECTION  
SCALE: 3/8"=1'-0"



2 WEST PARTIAL PLAN @ FLR. 3  
SCALE: 3/8"=1'-0" ARCH. REF.: 2/A3.14

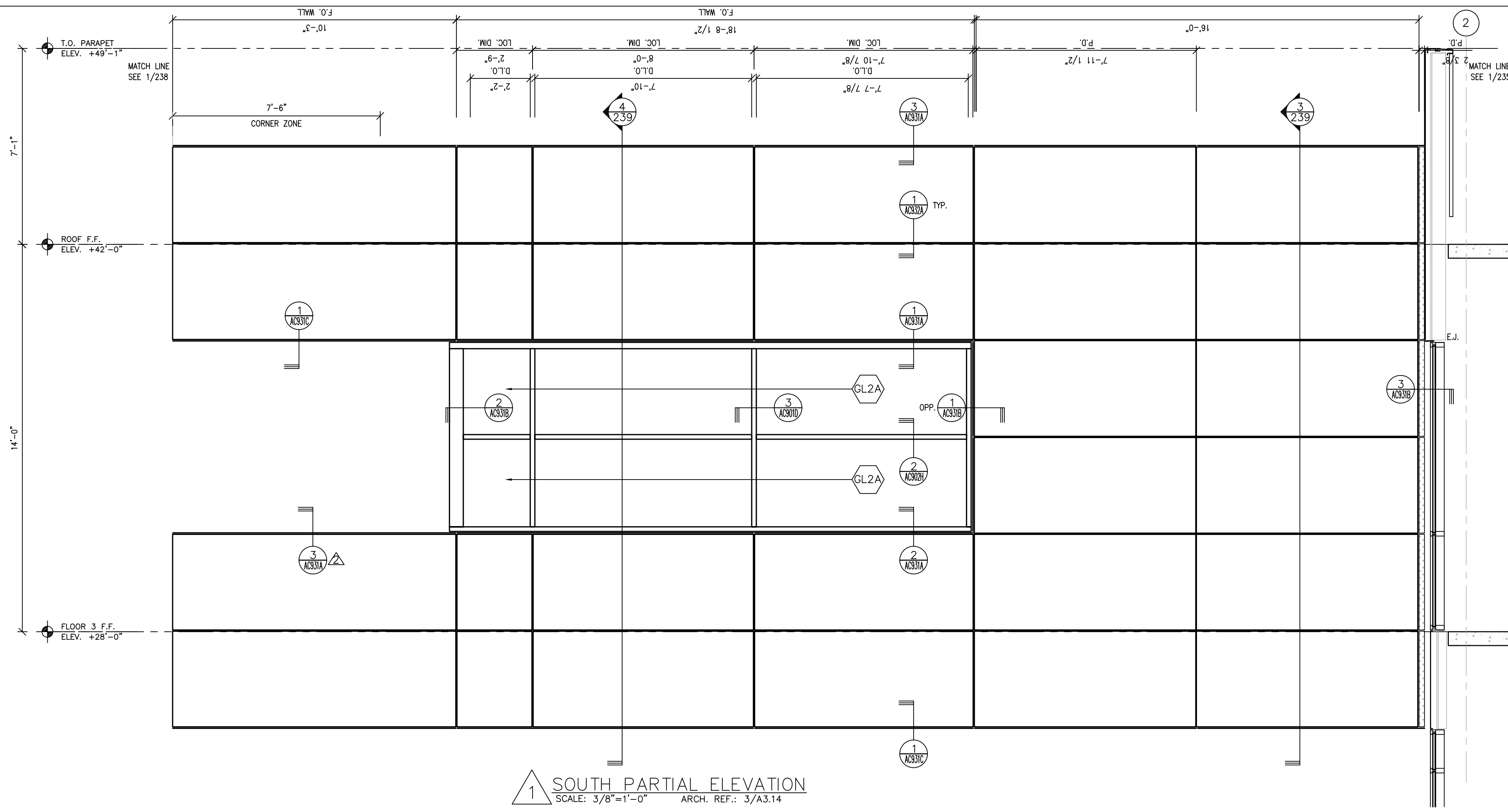


NO.	DATE	REVISION DESCRIPTION
4	10/15/10	AS BUILT
3	03-26-10	FOR RECORD
2	03-18-09	SGH ARCH. C/S REV.
1	10-09-08	PER DSA COMMENTS

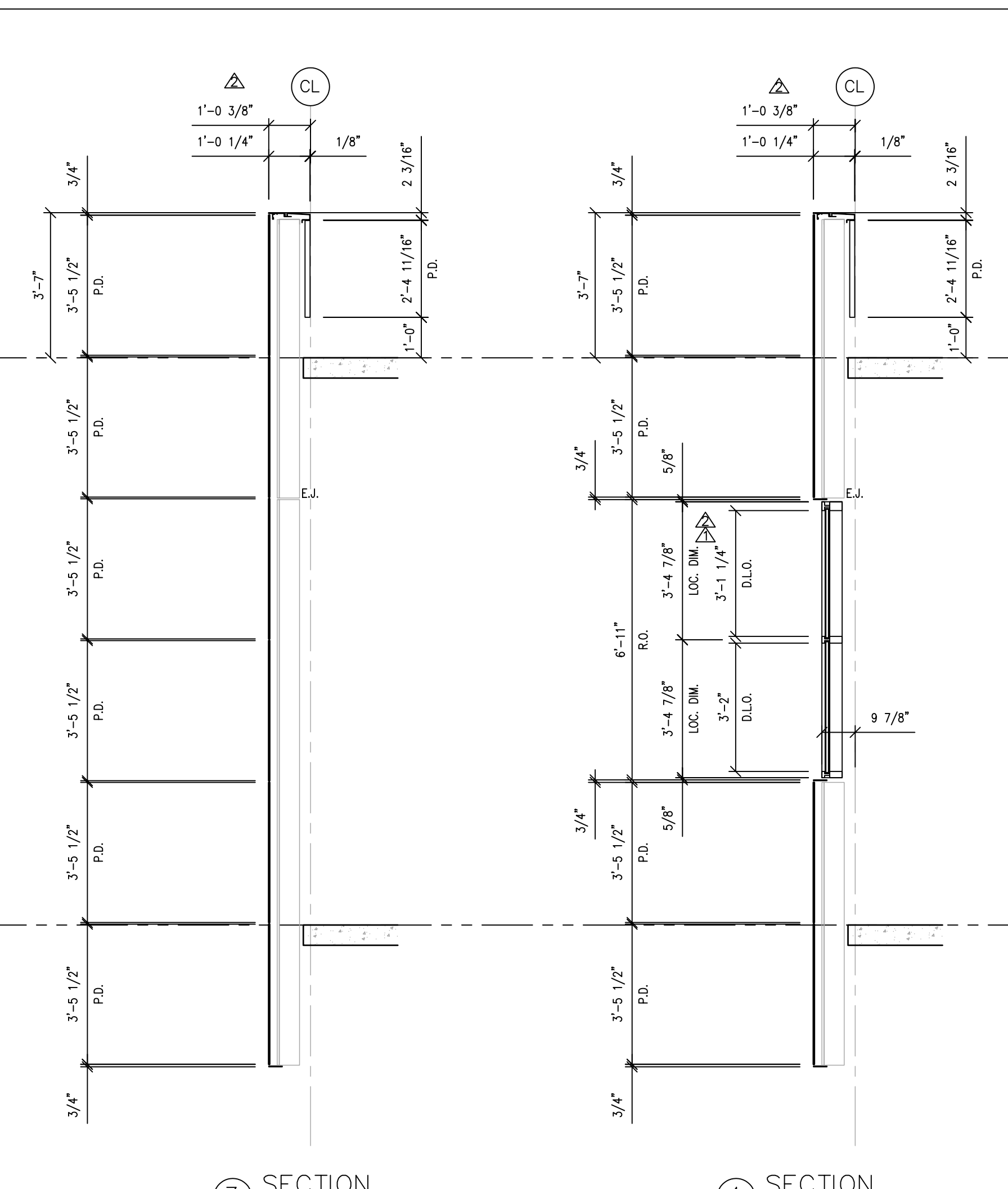
**COLLEGE OF SAN MATEO**  
**BUILDING 5N**  
 1700 WEST HILLSDALE BOULEVARD  
 SAN MATEO, CA. 94402

**C/S Erectors Inc.** REGISTERED ARCHITECTURAL FIRM, SYSTEMS  
 License No. 076606  
 2500 OLD CROFT CANYON RD., SUITE. 320  
 FOLSOM, CA 95630  
 TEL: (925) 820-6113 FAX: (925) 820-6987

DATE: 05/30/08  
 SCALE: 3/8" = 1'-0"  
 DRAWN BY: CDC  
 JOB #: D01065  
 SHEET # **238**  
 OF -- SHEETS

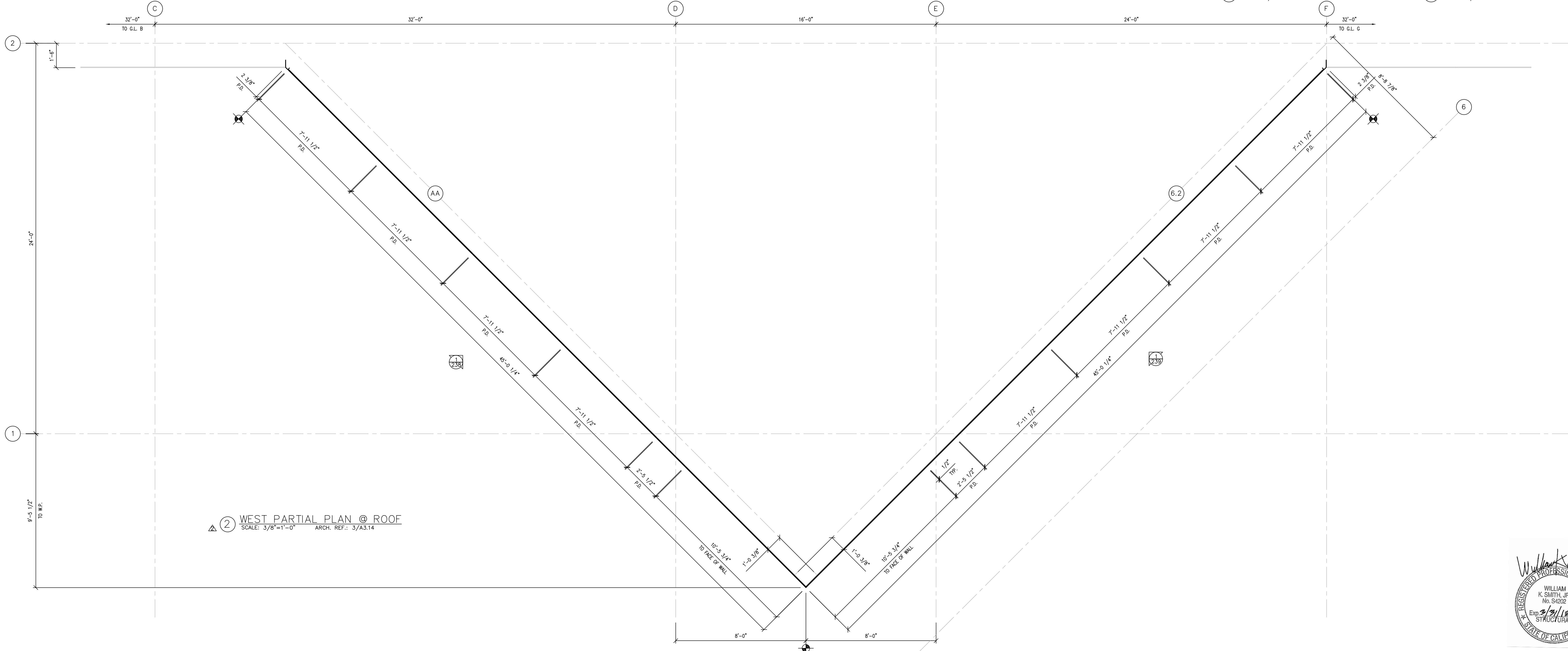


1 SOUTH PARTIAL ELEVATION  
SCALE: 3/8"=1'-0" ARCH. REF.: 3/A3.14

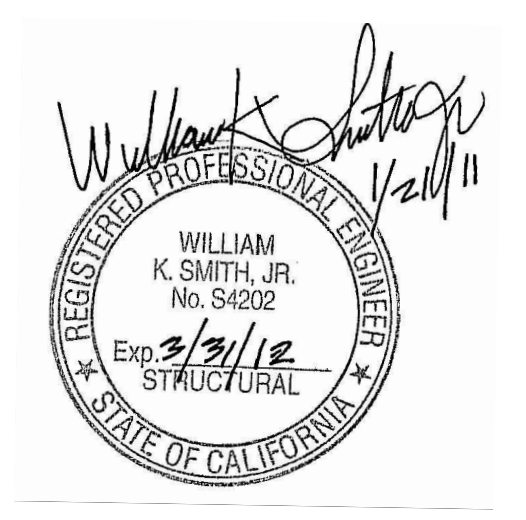


3 SECTION  
SCALE: 3/8"=1'-0"

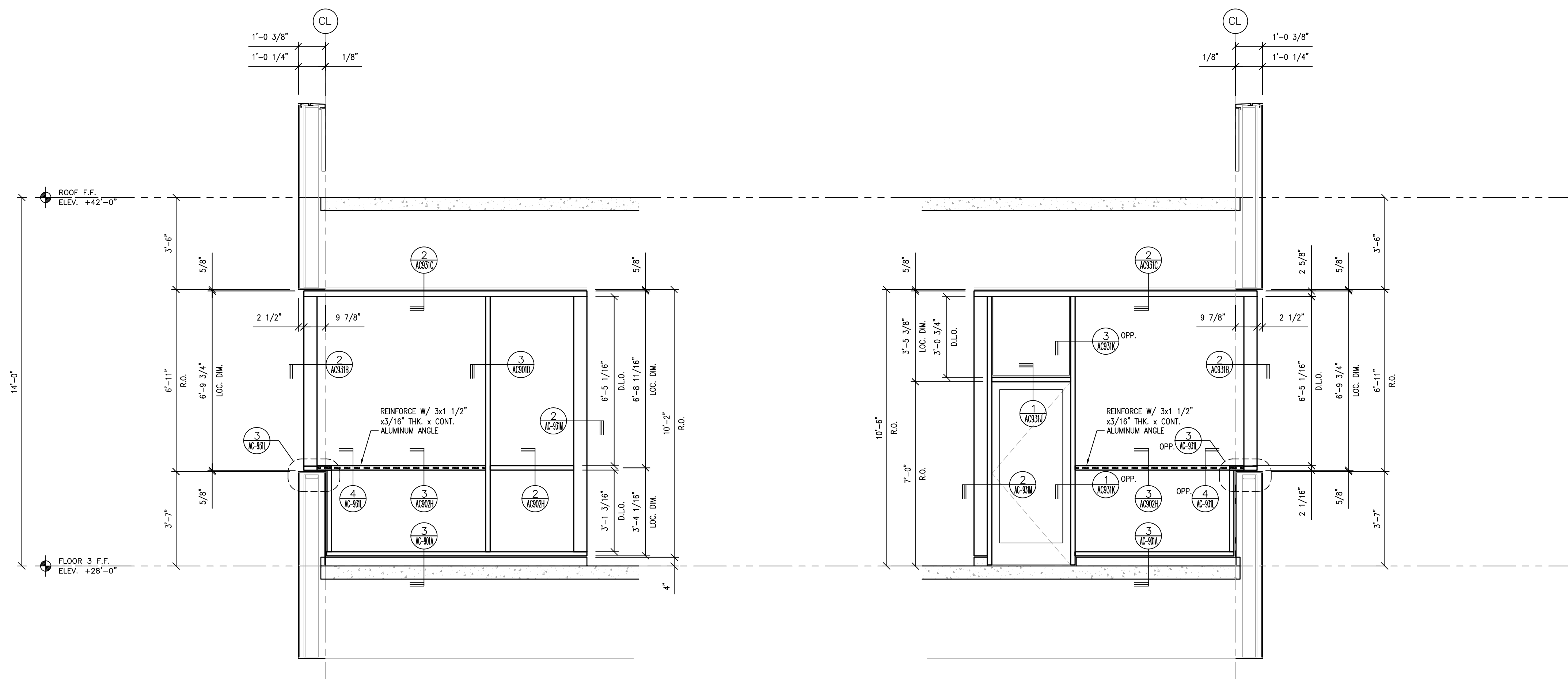
4 SECTION  
SCALE: 3/8"=1'-0"



2 WEST PARTIAL PLAN @ ROOF  
SCALE: 3/8"=1'-0" ARCH. REF.: 3/A3.14

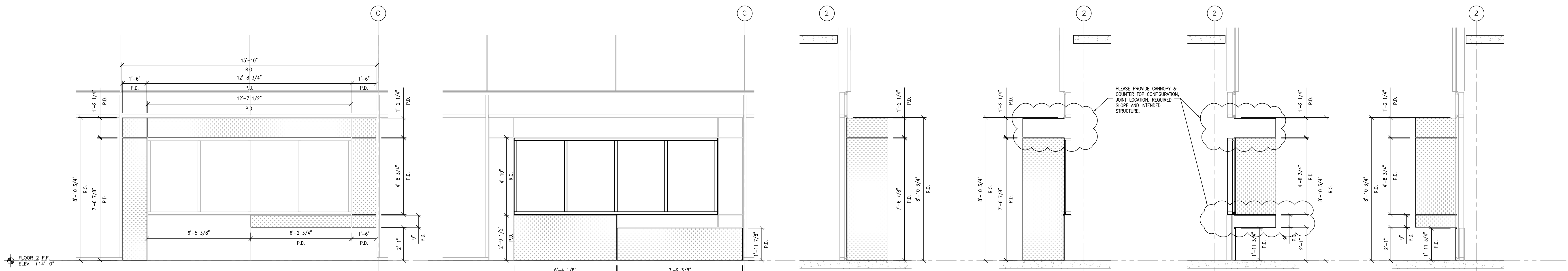


<b>COLLEGE OF SAN MATEO</b>		<b>DETAILS OF ARCHITECTURAL FRAME SYSTEM</b>	
<b>BUILDING 5N</b>		License No. 076066	
1700 WEST HILLSDALE BOULEVARD		2500 OLD CROFT CANYON RD., SUITE. 320	
SAN MATEO, CA. 94402		TEL: (925) 820-6113 FAX: (925) 820-6987	
NO.	DATE	REVISION DESCRIPTION	
4	10/15/10	AS BUILT	
3	03-26-10	FOR RECORD	
2	03-18-09	SGH, ARCH, C/S REV.	
1	10-09-08	PER DSA COMMENTS	
DATE: 05/30/08		SCALE: 3/8" = 1'-0"	
DRAWN BY: CDC		JOB #: D01065	
SHEET #		SHEET #	
239		239	
OF SHEETS		OF SHEETS	



1 SOUTH PARTIAL ELEVATION AT OUTDOOR DECK  
SCALE: 3/8"=1'-0" ARCH. REF.:

2 SOUTH PARTIAL ELEVATION AT OUTDOOR DECK  
SCALE: 3/8"=1'-0" ARCH. REF.:



3 CONCESSION STAND ELEVATION  
SCALE: 3/8"=1'-0" ARCH. REF.: 1/A3.14

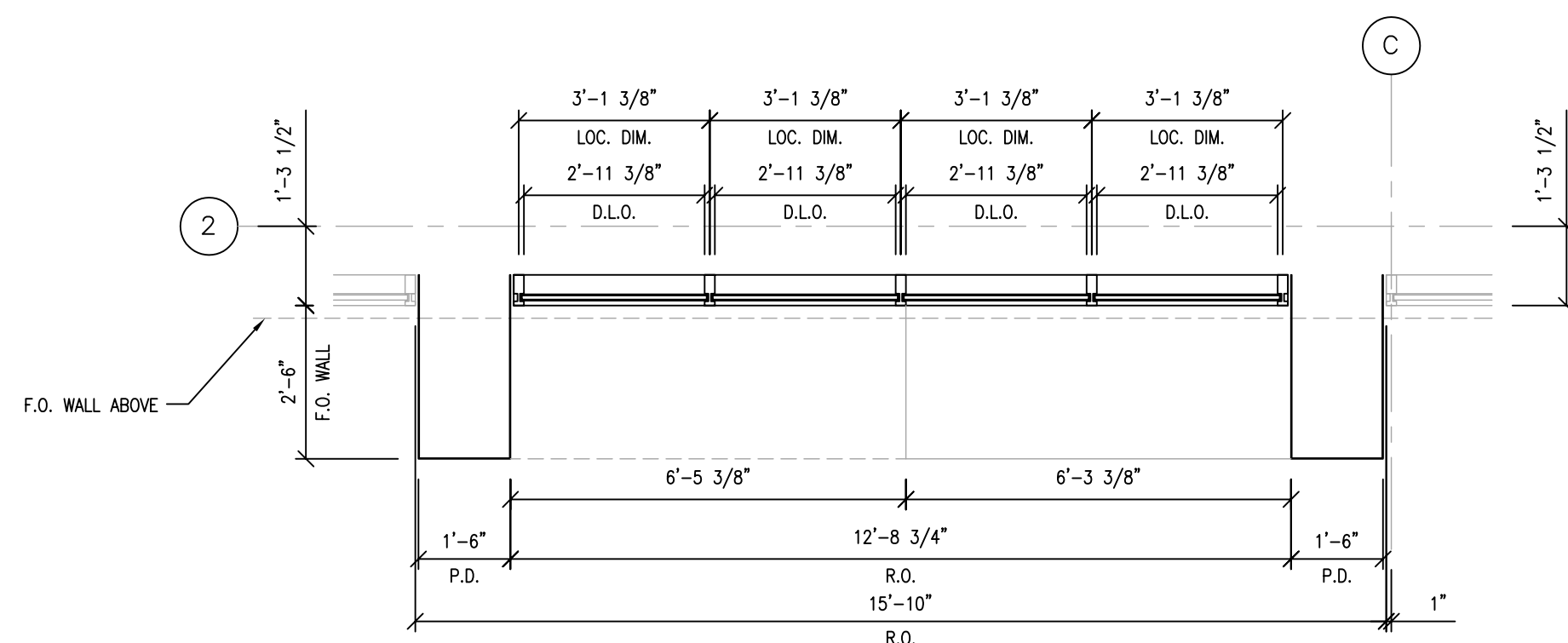
4 CONCESSION STAND ELEVATION  
SCALE: 3/8"=1'-0" ARCH. REF.: 1/A3.14

5 CONCESSION STAND ELEVATION  
SCALE: 3/8"=1'-0" ARCH. REF.:

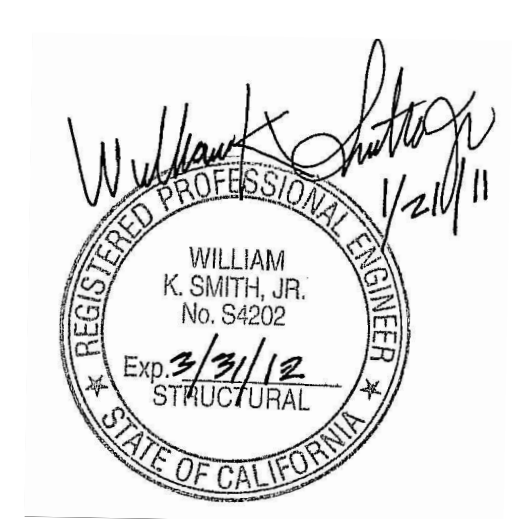
6 CONCESSION STAND ELEVATION  
SCALE: 3/8"=1'-0" ARCH. REF.:

7 CONCESSION STAND ELEVATION  
SCALE: 3/8"=1'-0" ARCH. REF.:

8 CONCESSION STAND ELEVATION  
SCALE: 3/8"=1'-0" ARCH. REF.:



9 CONCESSION STAND PLAN  
SCALE: 3/8"=1'-0" ARCH. REF.: 1/A3.14

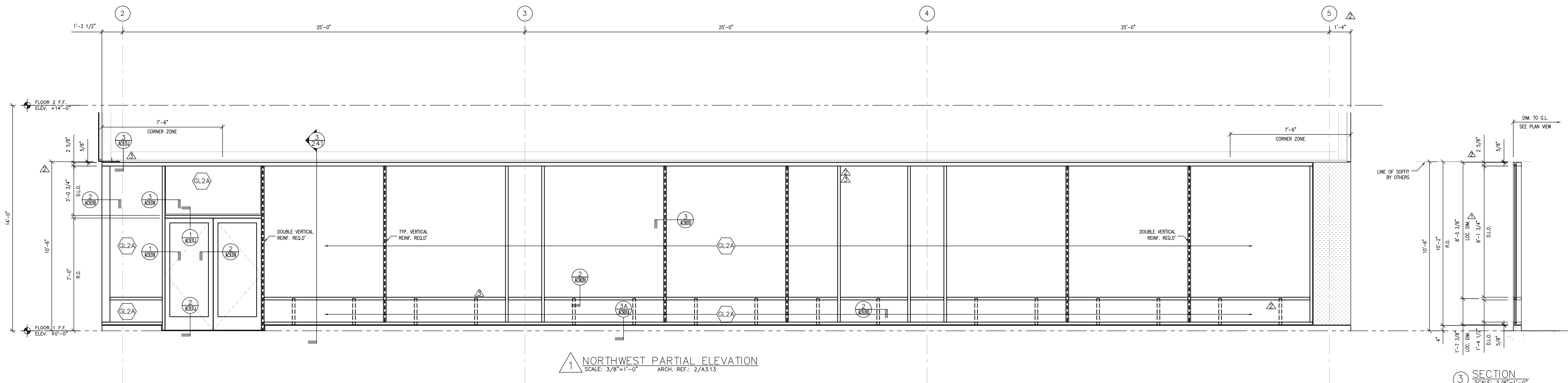


NO.	DATE	REVISION DESCRIPTION
3	03-26-10	FOR RECORD
2	03-18-09	SGH, ARCH., C/S REV.
-	-	-

**COLLEGE OF SAN MATEO**  
BUILDING 5N  
1700 WEST HILLSDALE BOULEVARD  
SAN MATEO, CA. 94402

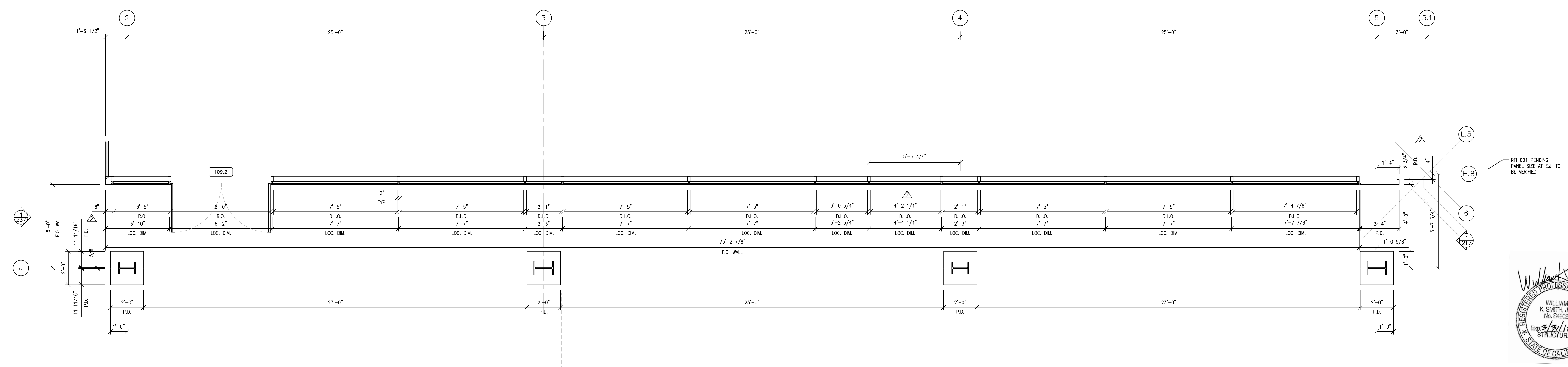
**C/S ERECTORS INC.**  
License No. 076006  
2500 OLD CROFT CANYON RD., SUITE. 320  
REDWOOD CITY, CA 94061  
TEL: (650) 820-6113 FAX: (650) 820-6987

DATE: 05/30/08  
SCALE: 3/8" = 1'-0"  
DRAWN BY: CDC  
JOB # D01065  
SHEET # 240  
OF SHEETS



1 NORTHWEST PARTIAL ELEVATION  
SCALE: 3/8"=1'-0" ARCH. REF.: 2/A3.13

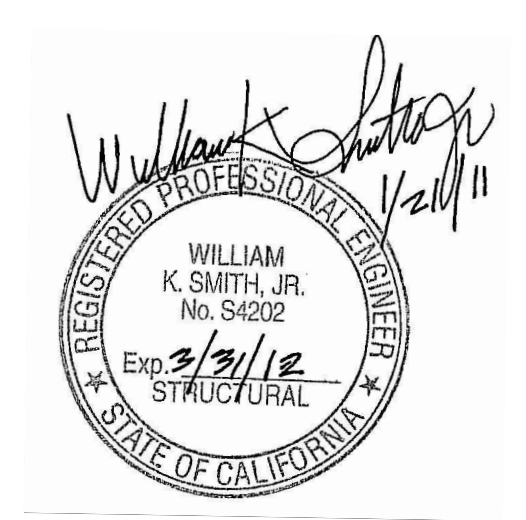
3 SECTION  
SCALE: 3/8"=1'-0"



3 NORTHEAST PARTIAL PLAN @ FLR. 1  
SCALE: 3/8"=1'-0" ARCH. REF.: 2/A3.13

**LEGEND**

- GLASS TRANSPARENT (GL2A, GL2B)
- GLASS TRANSLUCENT (GL2C)
- GLASS SPANDREL (GL2D)
- ALUMINUM PANELS
- CORRUGATED PANELS
- REINFORCING REQUIRED

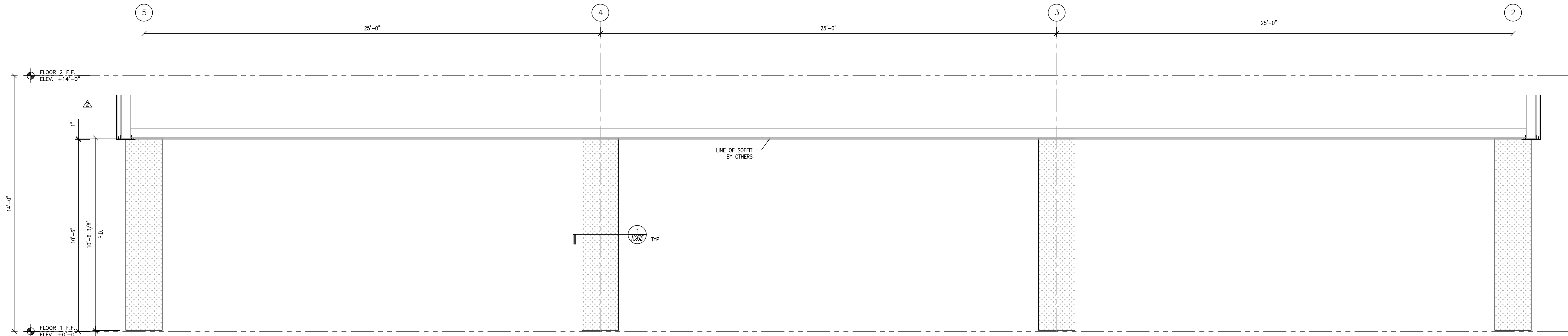
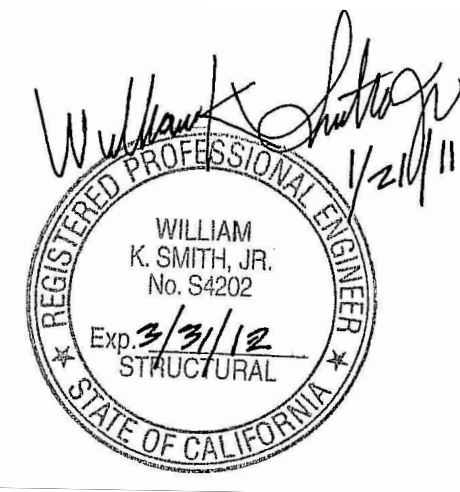


**COLLEGE OF SAN MATEO**  
BUILDING 5N  
1700 WEST HILLSDALE BOULEVARD  
SAN MATEO, CA. 94402

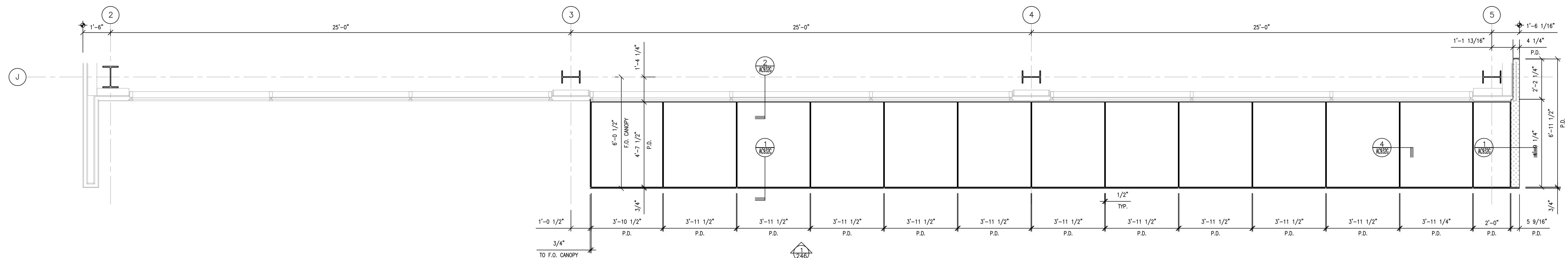
NO.	DATE	REVISION DESCRIPTION
5	10/15/10	AS BUILT
4	03-26-10	FOR RECORD
3	05-18-09	FOR CONSTRUCTION
2	03-18-09	SGH, ARCH, C/S REV.
1	10-08-08	PER DSA COMMENTS

DATE: 05/30/08  
SCALE: 3/8" = 1'-0"  
DRAWN BY: CDC  
JOB #: D01065  
SHEET # **241**  
OF -- SHEETS

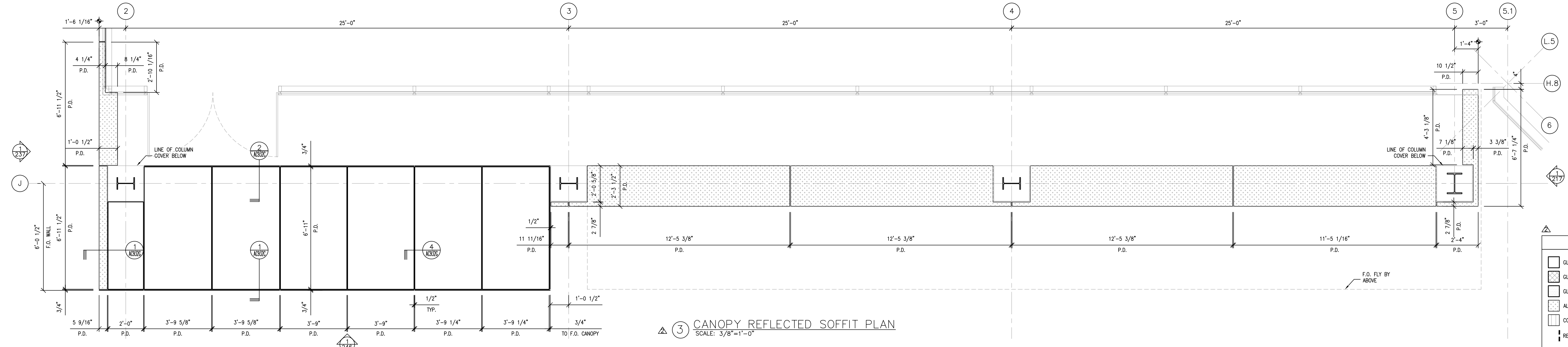
**C/S Erectors Inc.**  
 License No. 076060  
 2500 OLD CROFT CANYON RD. SUITE. 320  
 SAN MATEO, CA 94403  
 TEL: (925) 820-8113 FAX: (925) 820-0987



1 NORTHWEST PARTIAL ELEVATION  
SCALE: 3/8"=1'-0" ARCH. REF.: 2/A3.13



2 CANOPY REFLECTED SOFFIT PLAN  
SCALE: 3/8"=1'-0"



3 CANOPY REFLECTED SOFFIT PLAN  
SCALE: 3/8"=1'-0"

LEGEND

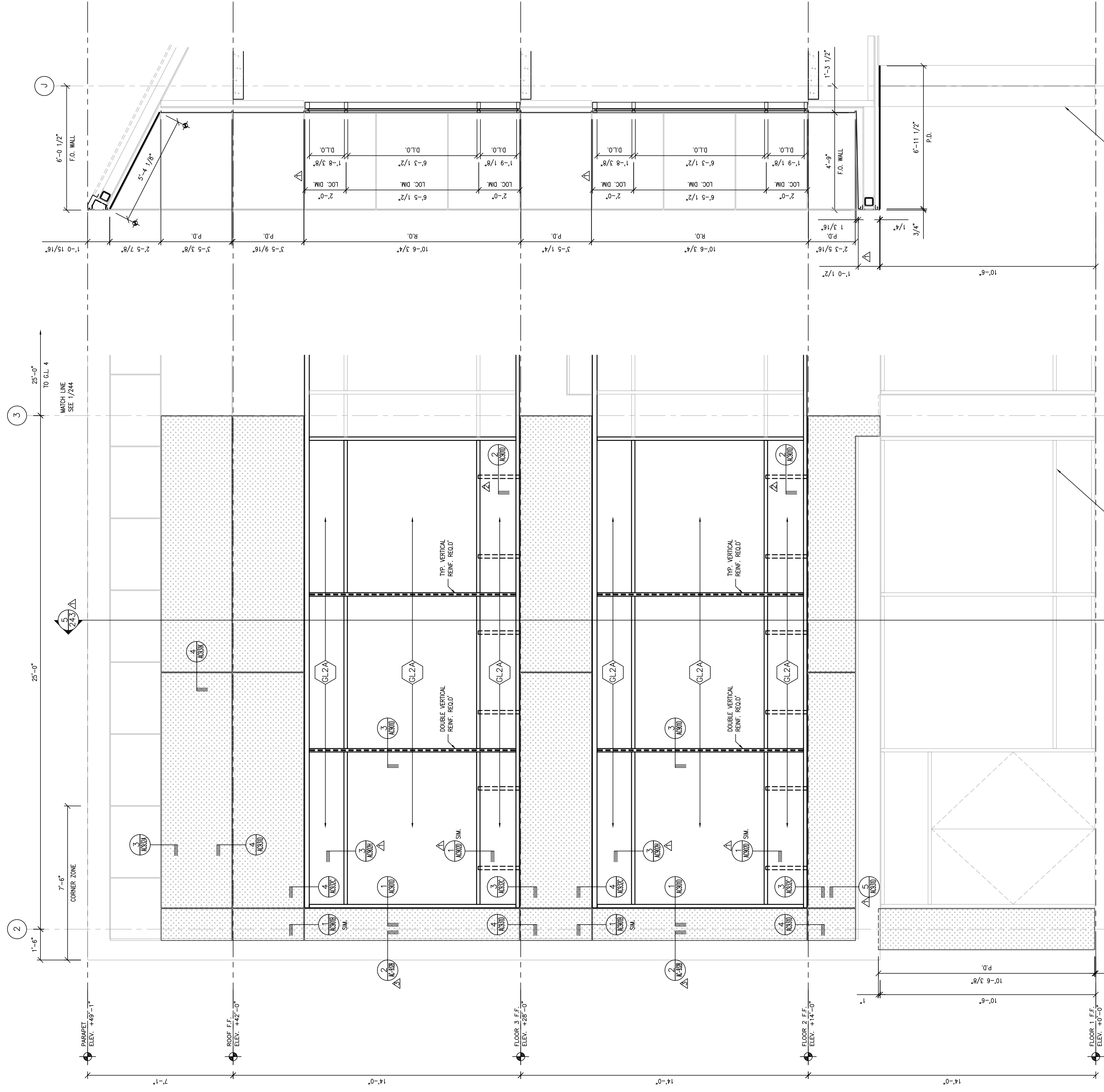
[Symbol]	GLASS TRANSPARENT	(L2) (L20)
[Symbol]	GLASS TRANSLUCENT	(L2C)
[Symbol]	GLASS SPANDREL	(L2S)
[Symbol]	ALUMINUM PANELS	
[Symbol]	CORRUGATED PANELS	
[Symbol]	REINFORCING REQUIRED	

NO.	DATE	REVISION DESCRIPTION
4	10/15/10	AS BUILT
3	03-26-10	FOR RECORD
2	03-18-09	SGH, ARCH., C/S REV.
-	-	-

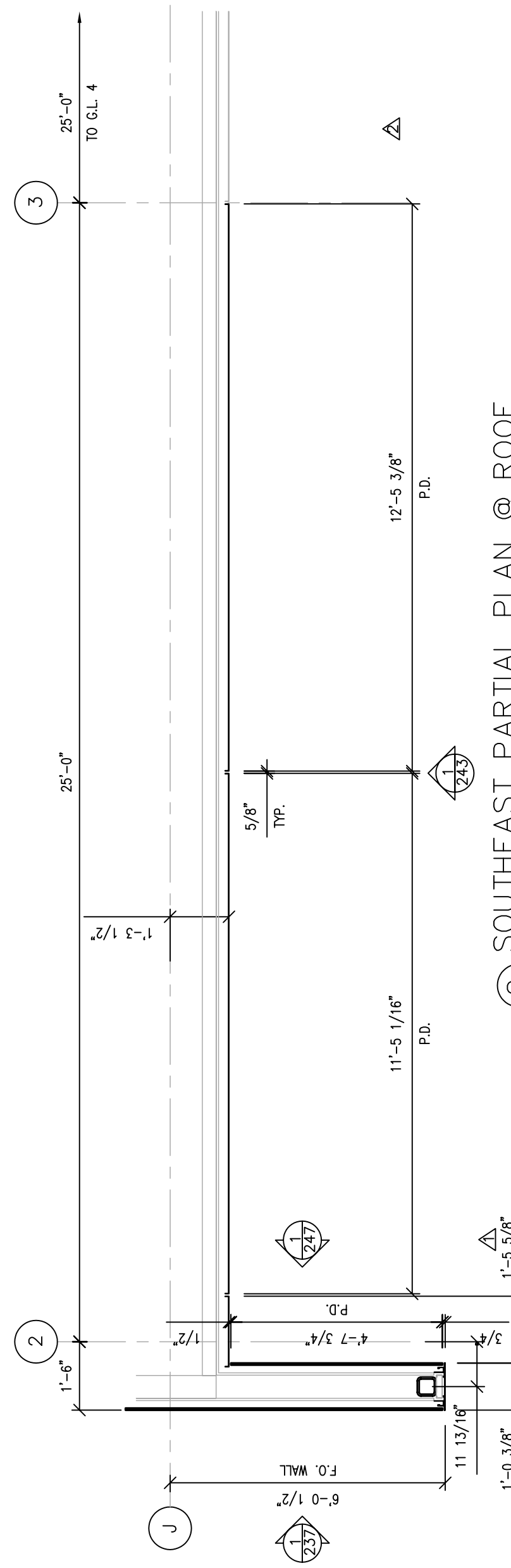
COLLEGE OF SAN MATEO  
BUILDING 5N  
1700 WEST HILLSDALE BOULEVARD  
SAN MATEO, CA. 94402

C/S Erectors Inc. DIVISION OF ARCHITECTURAL PANEL SYSTEMS  
License No. 076060  
2500 OLD CROFT CANYON RD. SUITE. 320  
SAN MATEO, CA 94403  
TEL: (650) 820-6113 FAX: (650) 820-6987

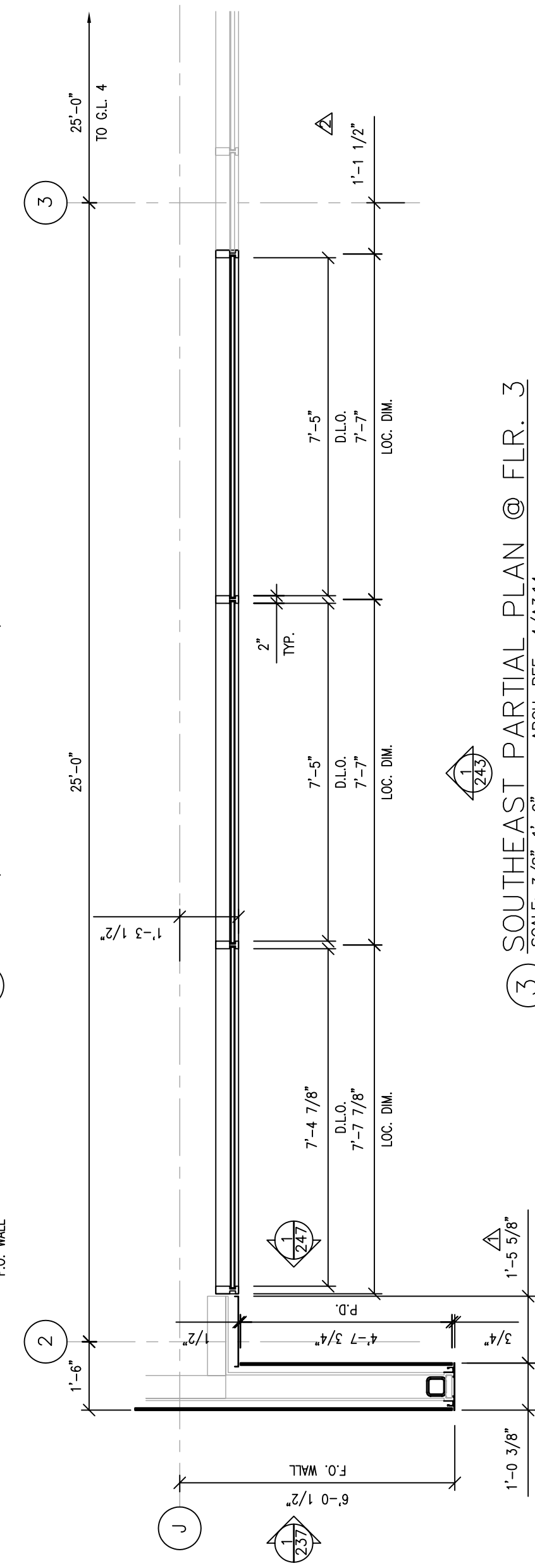
DATE: 05/30/08  
SCALE: 3/8" = 1'-0"  
DRAWN BY: CDC  
JOB # D01065  
SHEET # 242  
OF SHEETS



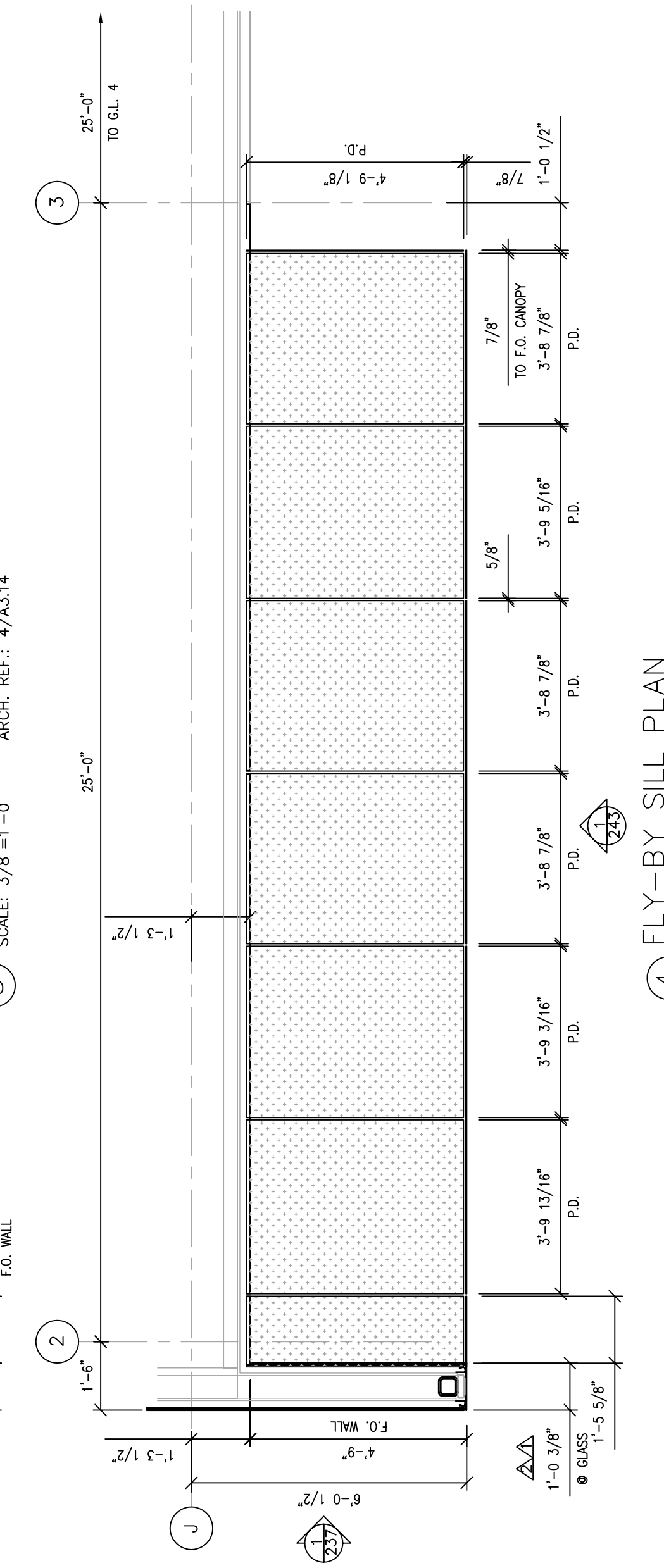
11 SOUTH EAST PARTIAL ELEVATION  
SCALE: 3/8" = 1'-0"  
ARCH. REF.: 4/A3.14



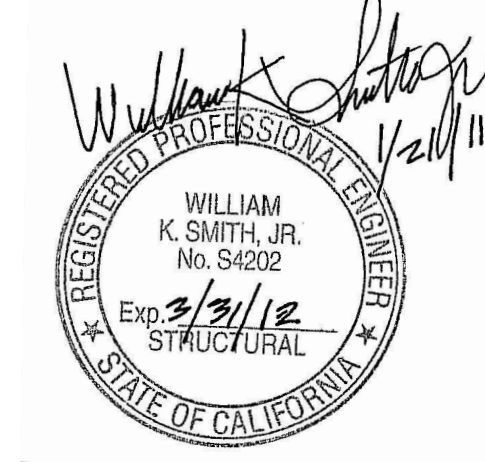
12 SOUTH EAST PARTIAL PLAN @ ROOF  
SCALE: 3/8" = 1'-0"  
ARCH. REF.: 4/A3.14



13 SOUTH EAST PARTIAL PLAN @ FLR. 3  
SCALE: 3/8" = 1'-0"  
ARCH. REF.: 4/A3.14

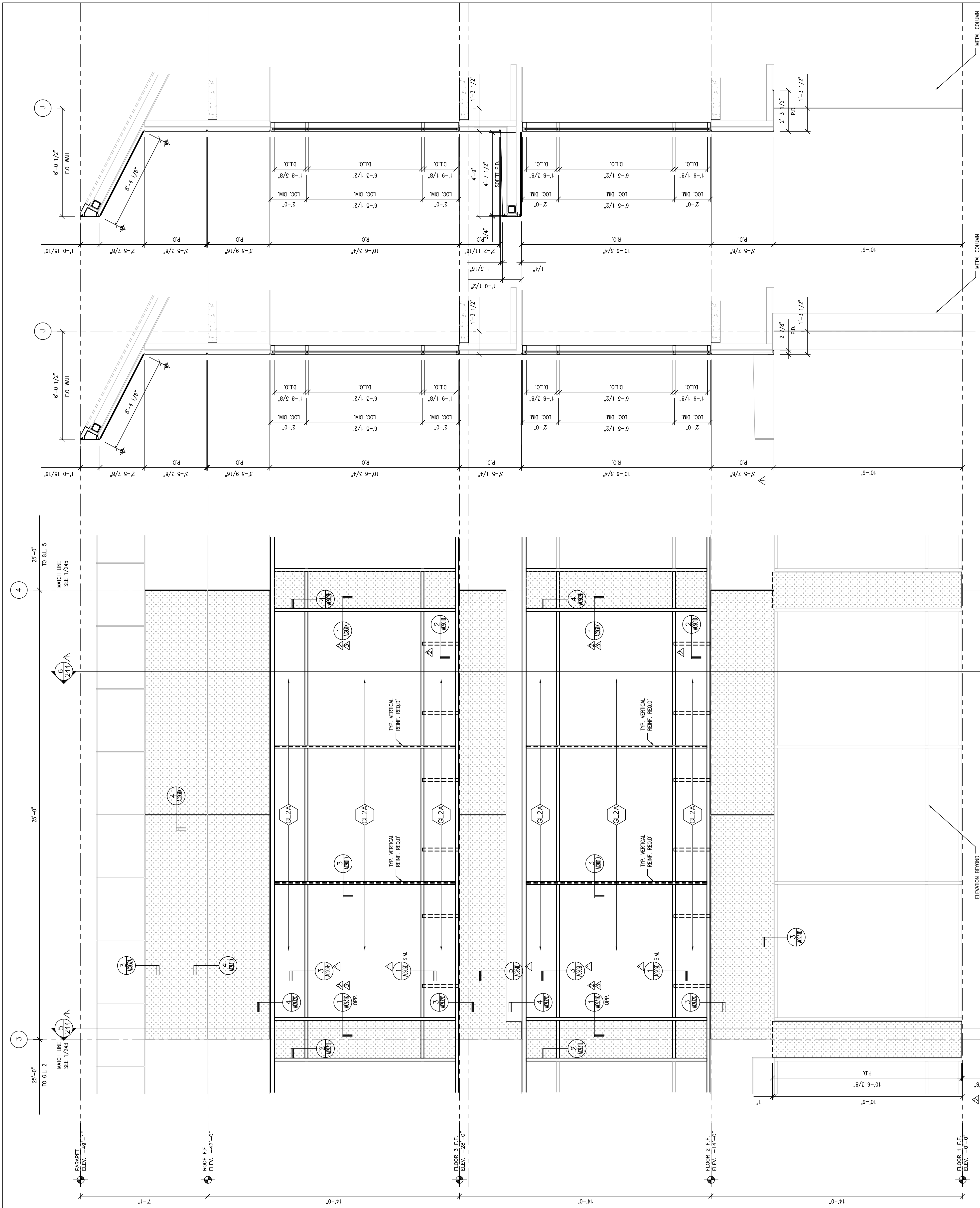


14 FLY-BY-SILL PLAN  
SCALE: 3/8" = 1'-0"



LEGEND

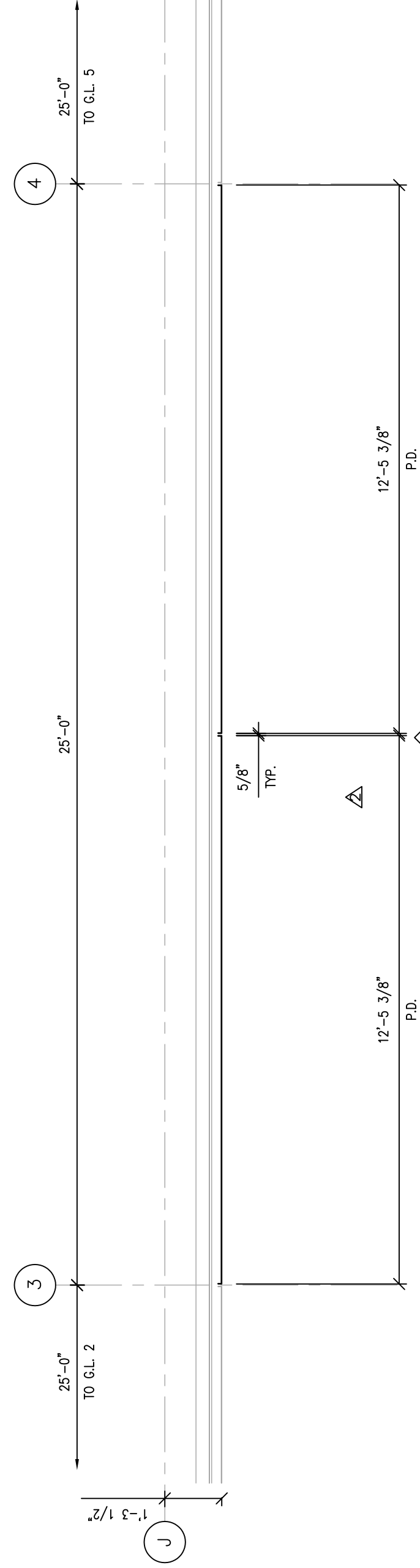
[Symbol]	GLASS TRANSPARENT
[Symbol]	GLASS TRANSLUCENT
[Symbol]	GLASS SPANDREL
[Symbol]	ALUMINUM PANELS
[Symbol]	CORUGATED PANELS
[Symbol]	REINFORCING REQUIRED



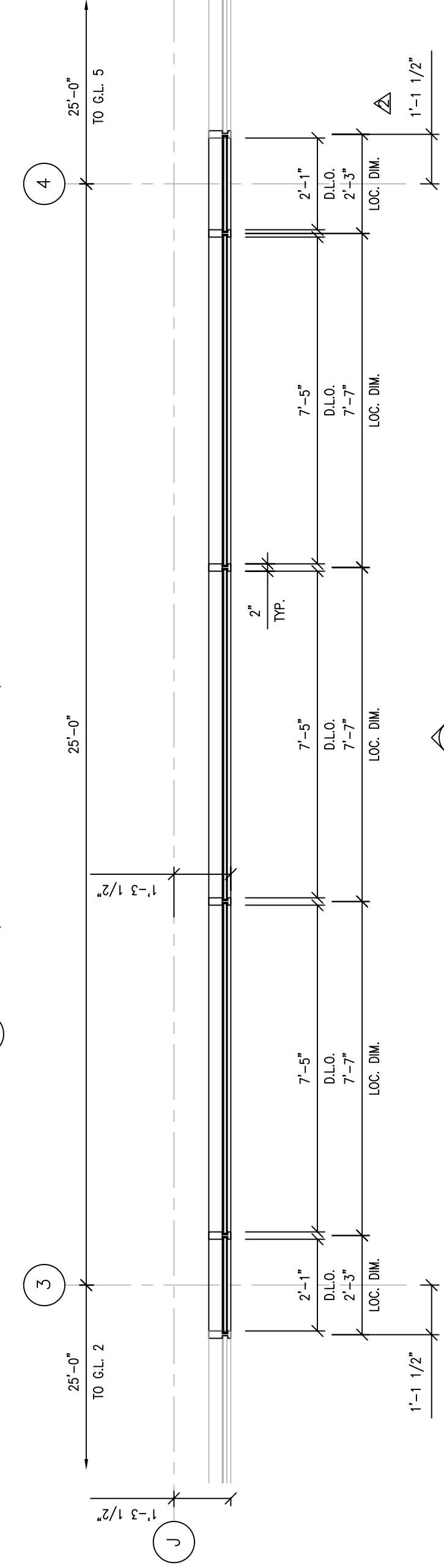
1 SOUTHEAST PARTIAL ELEVATION  
SCALE: 3/8"=1'-0" ARCH. REF.: 4/A3.14

5 SECTION  
SCALE: 3/8"=1'-0"

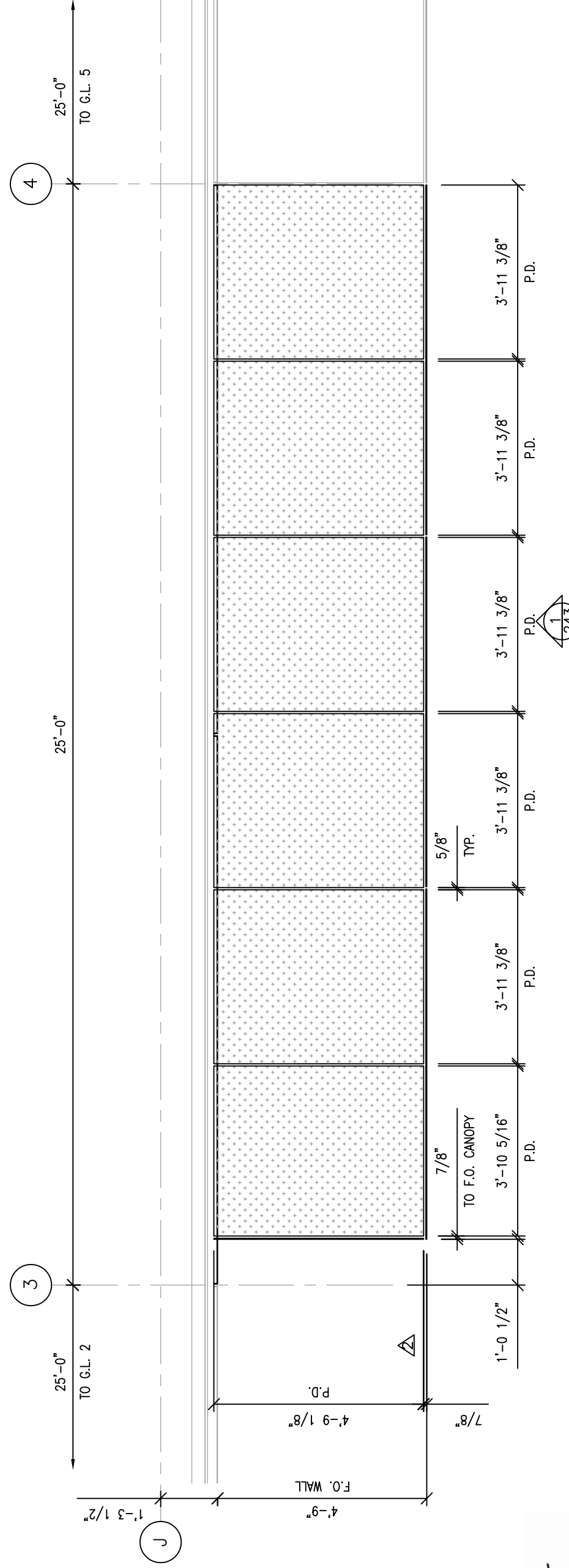
6 SECTION  
SCALE: 3/8"=1'-0"



2 SOUTHEAST PARTIAL PLAN @ ROOF  
SCALE: 3/8"=1'-0" ARCH. REF.: 4/A3.14



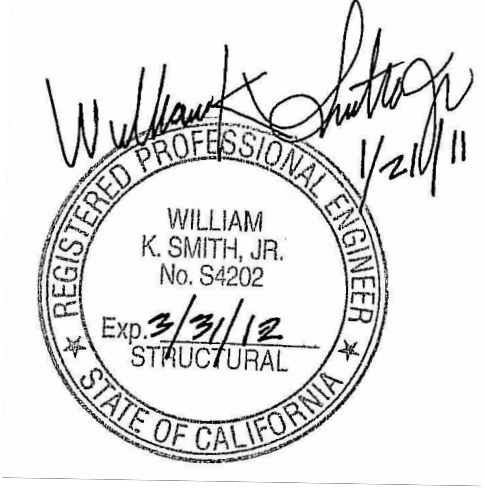
3 SOUTHEAST PARTIAL PLAN @ FLR. 3  
SCALE: 3/8"=1'-0" ARCH. REF.: 4/A3.14

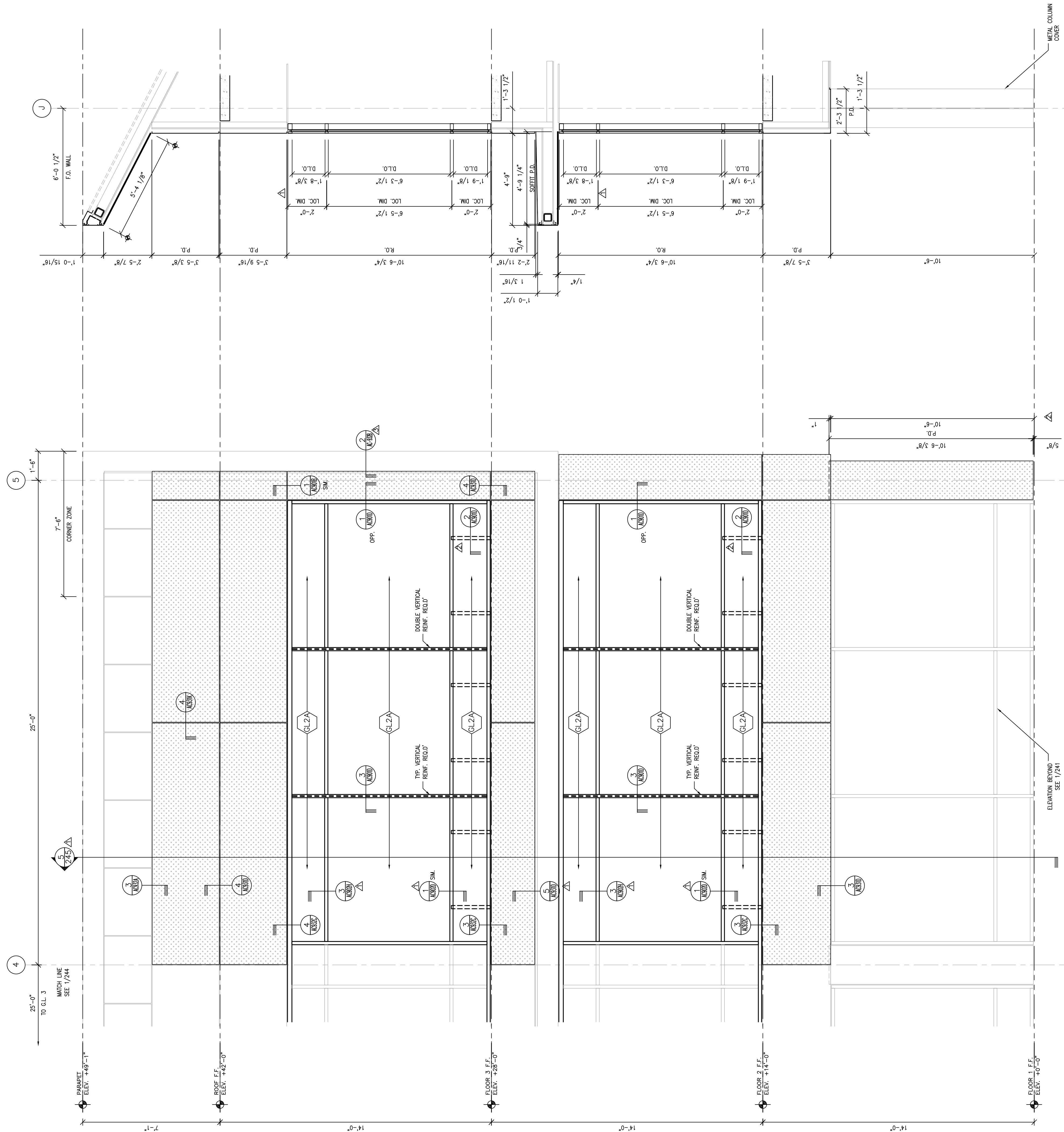


4 FLY-BY SILL PLAN  
SCALE: 3/8"=1'-0"

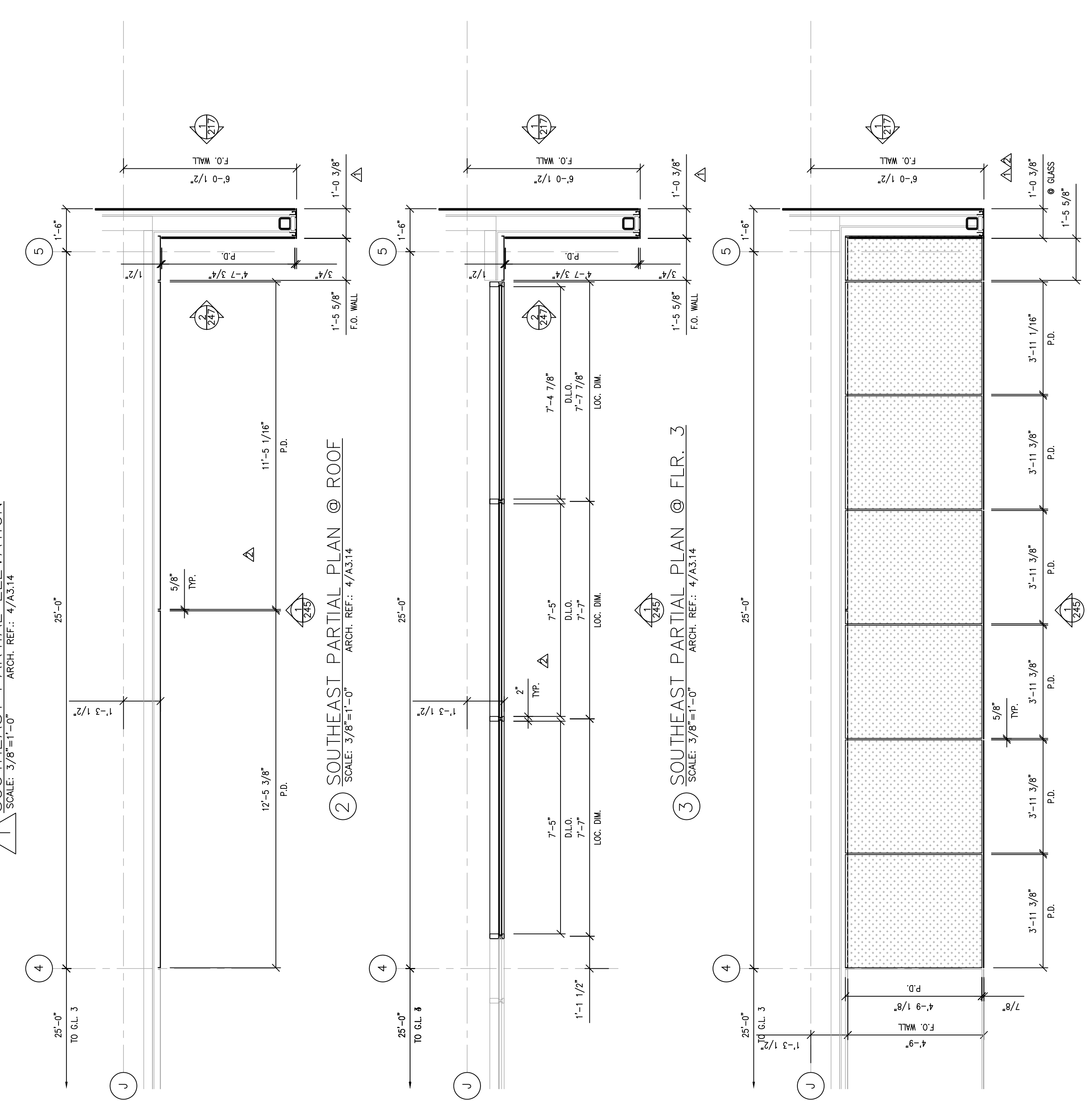
LEGEND

[Symbol]	GLASS TRANSPARENT
[Symbol]	GLASS TRANSLUCENT
[Symbol]	GLASS SPANDREL
[Symbol]	ALUMINUM PANELS
[Symbol]	CORUGATED PANELS
[Symbol]	PERFORMING REQUIRED





1 SOUTHEAST PARTIAL ELEVATION  
SCALE: 3/8"=1'-0"  
ARCH. REF.: 4/A3.14



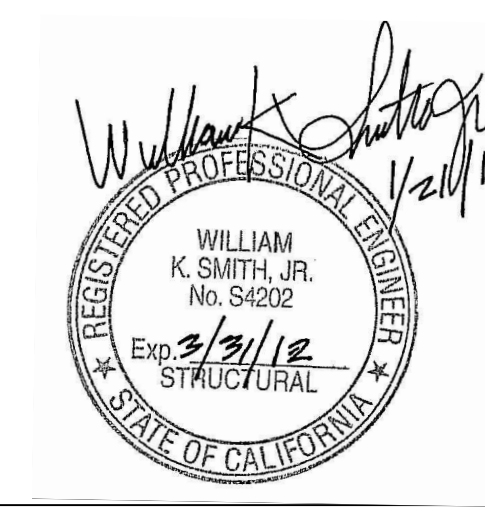
2 SOUTHEAST PARTIAL PLAN @ ROOF  
SCALE: 3/8"=1'-0"  
ARCH. REF.: 4/A3.14

3 SOUTHEAST PARTIAL PLAN @ FLR. 3  
SCALE: 3/8"=1'-0"  
ARCH. REF.: 4/A3.14

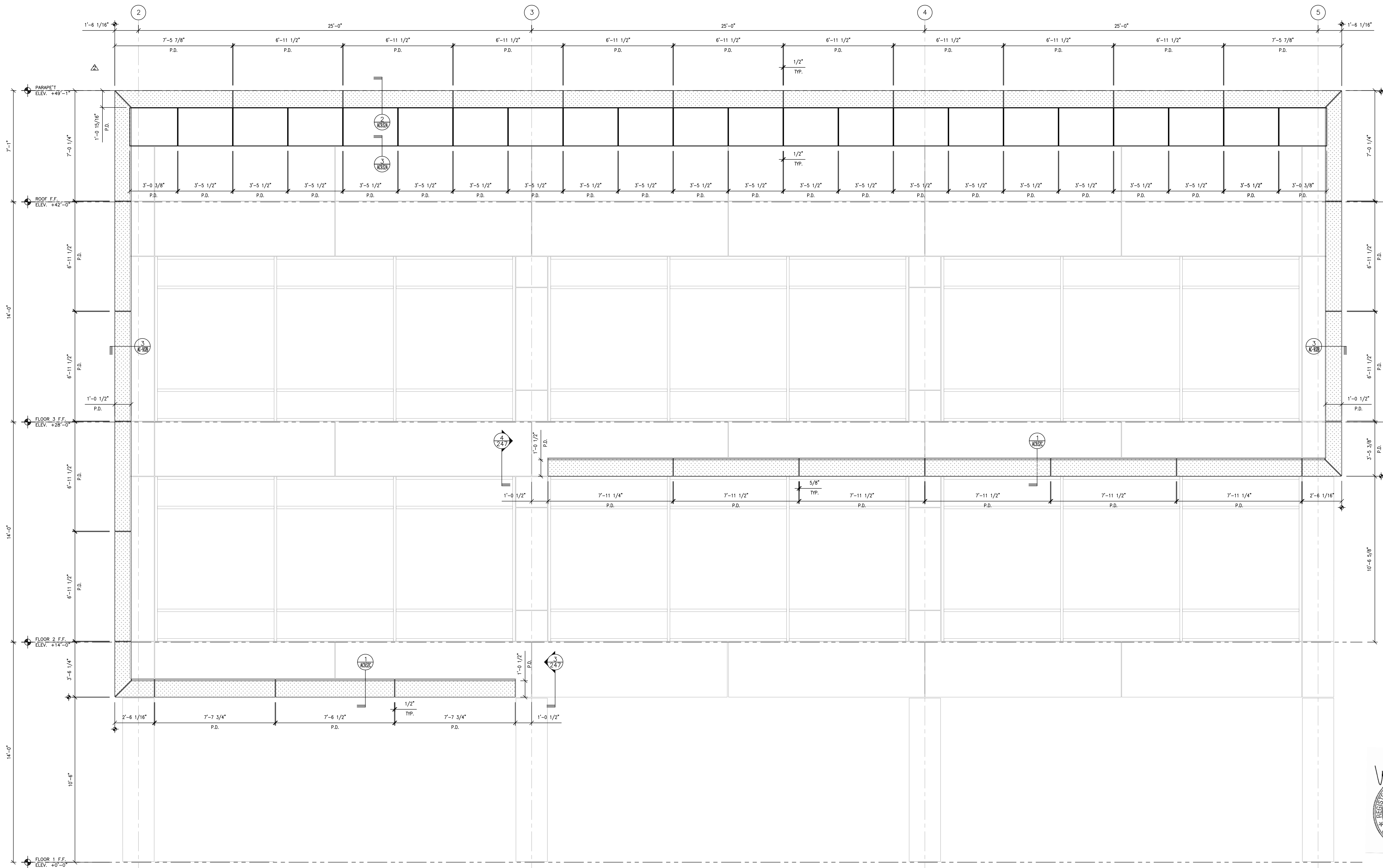
4 FLY-BY SILL PLAN  
SCALE: 3/8"=1'-0"

LEGEND

	GLASS TRANSPARENT
	GLASS TRANSLUCENT
	GLASS SPANDELT
	ALUMINUM PANELS
	CORRUGATED PANELS
	REINFORCING REQUIRED







WILLIAM K. SMITH, JR.  
 No. S4202  
 Exp. 3/31/12  
 STATE OF CALIFORNIA  
 REGISTERED PROFESSIONAL ENGINEER  
 STRUCTURAL

LEGEND

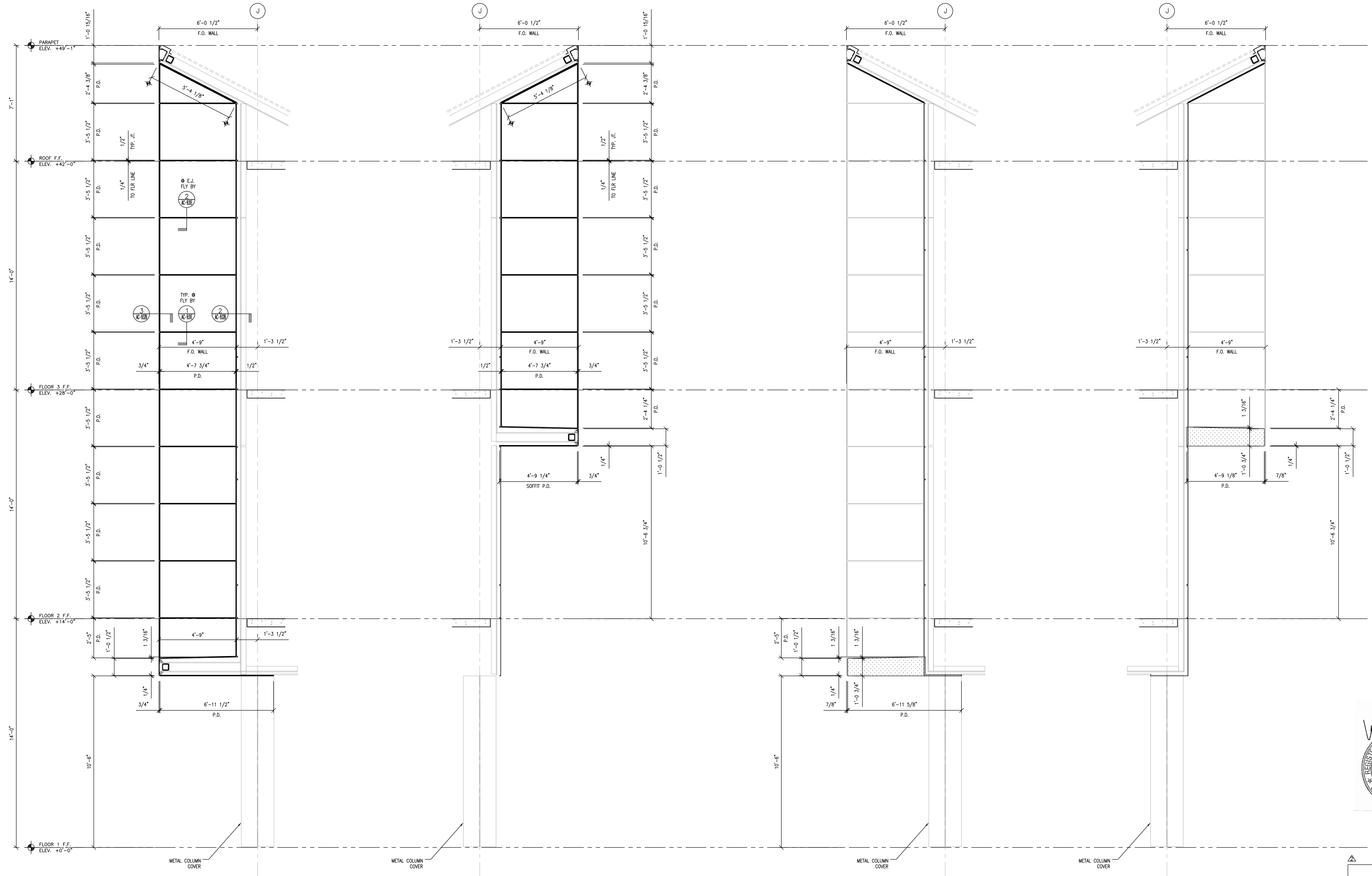
	GL2A	GL2B
	GL2C	
	GL2D	

**C/S ERECTORS INC.** REGISTERED ARCHITECTURAL PAINT SYSTEMS  
 License No. 070000  
 2500 OLD CROFT CANYON RD. SUITE. 320  
 FOLSOM, CA 95630 TEL: (925) 820-8113 FAX: (925) 820-8987

**COLLEGE OF SAN MATEO**  
**BUILDING 5N**  
 1700 WEST HILLSDALE BOULEVARD  
 SAN MATEO, CA. 94402

NO.	DATE	REVISION DESCRIPTION
4	10/15/10	AS BUILT
3	03-26-10	FOR RECORD
2	03-18-09	SGH, ARCH., C/S REV.
-	-	-

DATE: 05/30/08  
 SCALE: 3/8" = 1'-0"  
 DRAWN BY: CDC  
 JOB #: D01065  
 SHEET # **246**  
 OF -- SHEETS



1 FLY-BY INSIDE ELEVATION  
SCALE: 3/8"=1'-0"

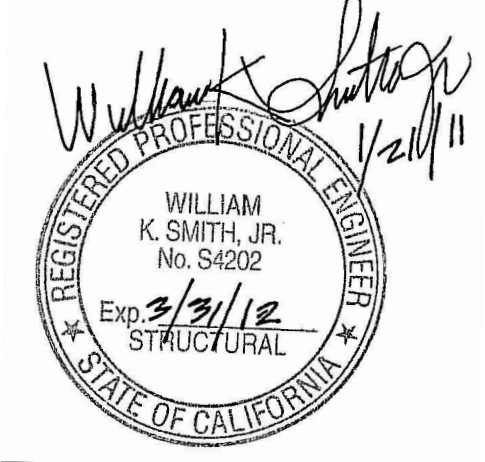
2 FLY-BY INSIDE ELEVATION  
SCALE: 3/8"=1'-0"

1 FLY-BY INSIDE ELEVATION  
SCALE: 3/8"=1'-0"

2 FLY-BY INSIDE ELEVATION  
SCALE: 3/8"=1'-0"

LEGEND

[Symbol]	GLASS TRANSPARENT	(GL2A) (GL2B)
[Symbol]	GLASS TRANSLUCENT	(GL2C)
[Symbol]	GLASS SPANDREL	(GL2D)
[Symbol]	ALUMINUM PANELS	
[Symbol]	CORRUGATED PANELS	
[Symbol]	REINFORCING REQUIRED	

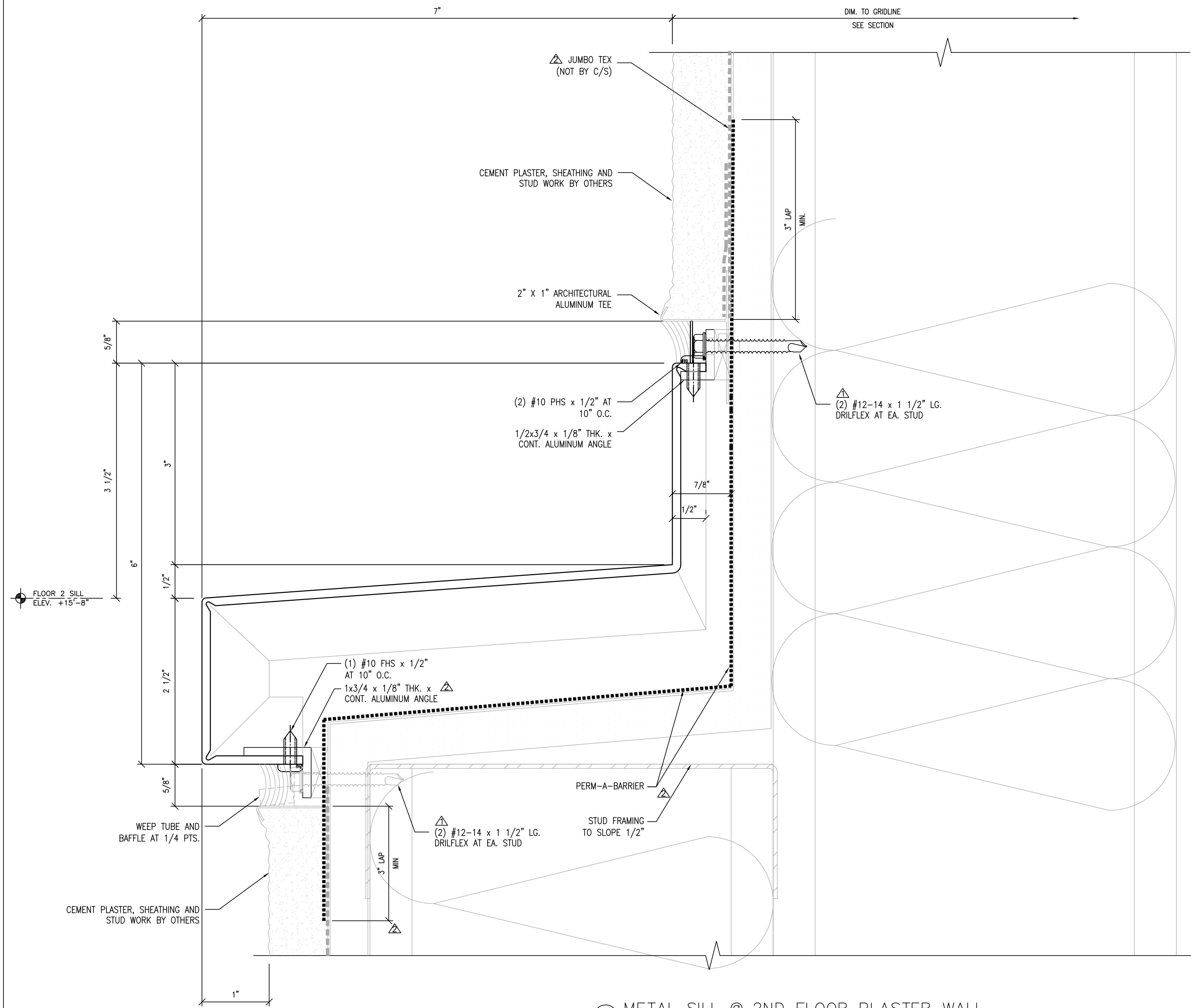
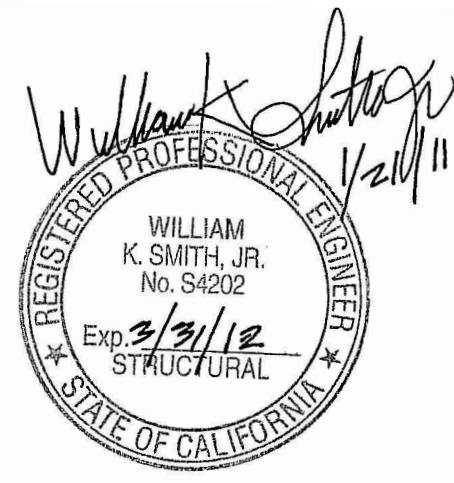


**C/S ERECTORS INC.** INSTALLER OF ARCHITECTURAL FRAME SYSTEMS  
 License No. 076060  
 2500 OLD CROFT CANYON RD., SUITE. 320  
 SAN MATEO, CA 94403  
 TEL: (650) 820-6113 FAX: (650) 820-6987

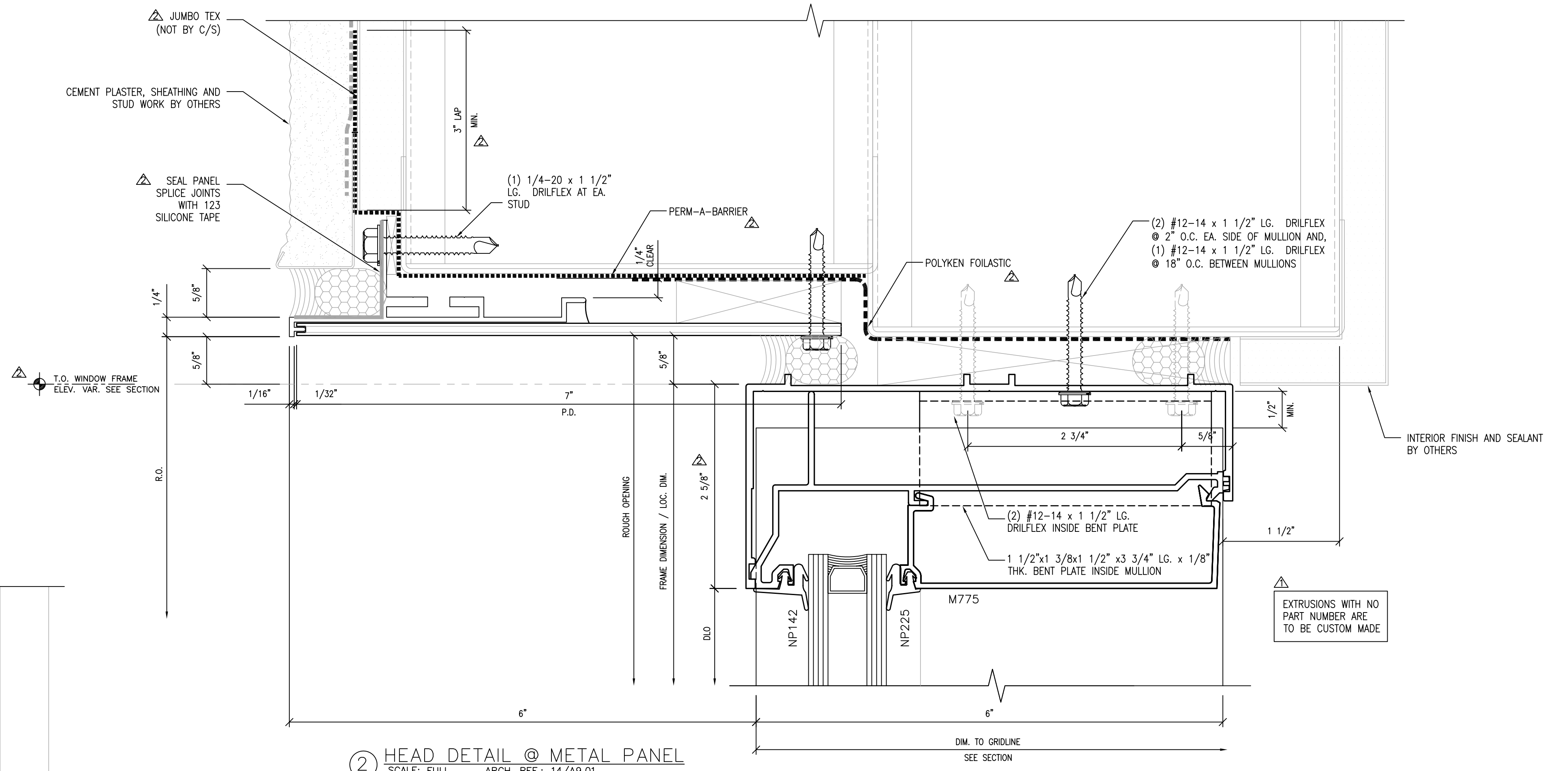
**COLLEGE OF SAN MATEO**  
**BUILDING 5N**  
 1700 WEST HILLSDALE BOULEVARD  
 SAN MATEO, CA. 94402

NO.	DATE	REVISION DESCRIPTION
4	10/15/10	AS BUILT
3	03-26-10	FOR RECORD
2	03-18-09	SGH, ARCH., C/S REV.
-	-	-

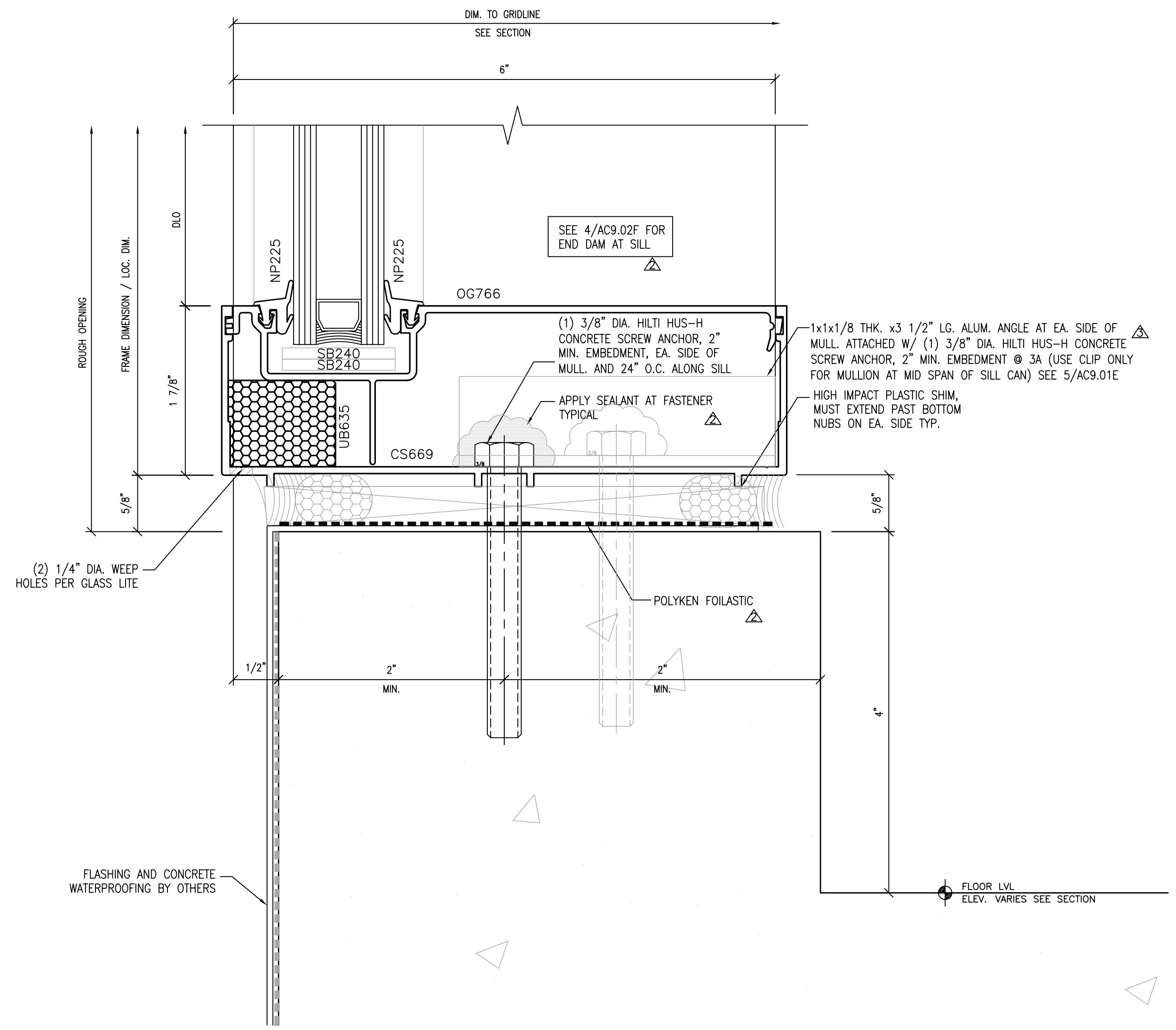
DATE: 05/30/08  
 SCALE: 3/8" = 1'-0"  
 DRAWN BY: CDC  
 JOB #: D01065  
 SHEET # **247**  
 OF -- SHEETS



1 METAL SILL @ 2ND FLOOR PLASTER WALL  
SCALE: FULL ARCH. REF.: 7/A9.01



2 HEAD DETAIL @ METAL PANEL  
SCALE: FULL ARCH. REF.: 14/A9.01



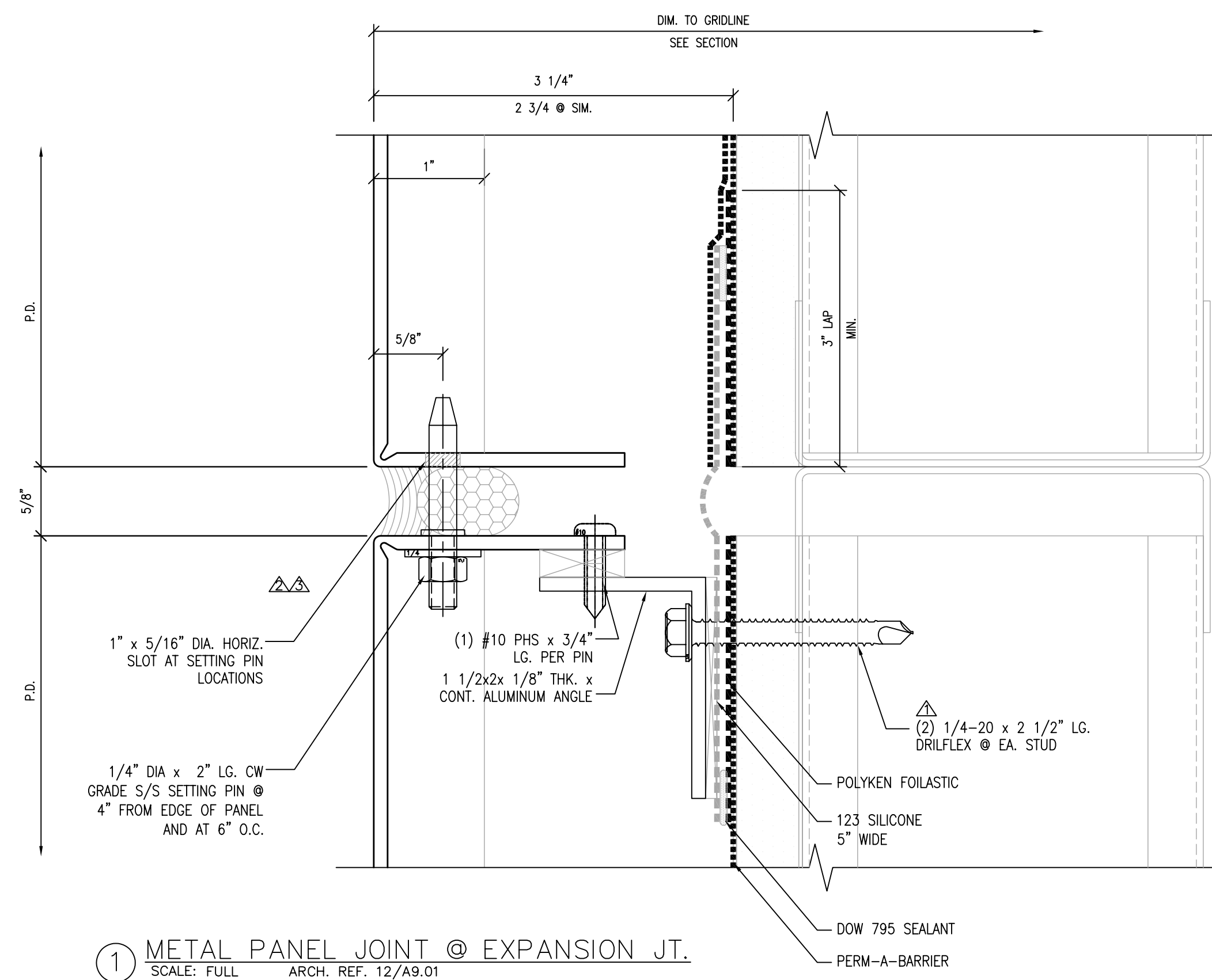
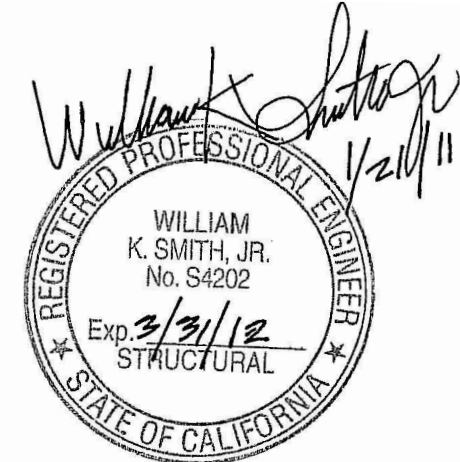
3 WINDOW SILL @ CONCRETE CURB  
SCALE: FULL ARCH. REF.: 1/A9.01  
3A WINDOW SILL @ CONCRETE CURB W/MULL CLIP  
SCALE: FULL ARCH. REF.: 1/A9.01

NO.	DATE	REVISION DESCRIPTION
5	10/15/10	AS BUILT
4	03-26-10	FOR RECORD
3	05-18-09	FOR CONSTRUCTION
2	03-18-09	SGH, ARCH, C/S REV.
1	10-09-08	PER DSA COMMENTS

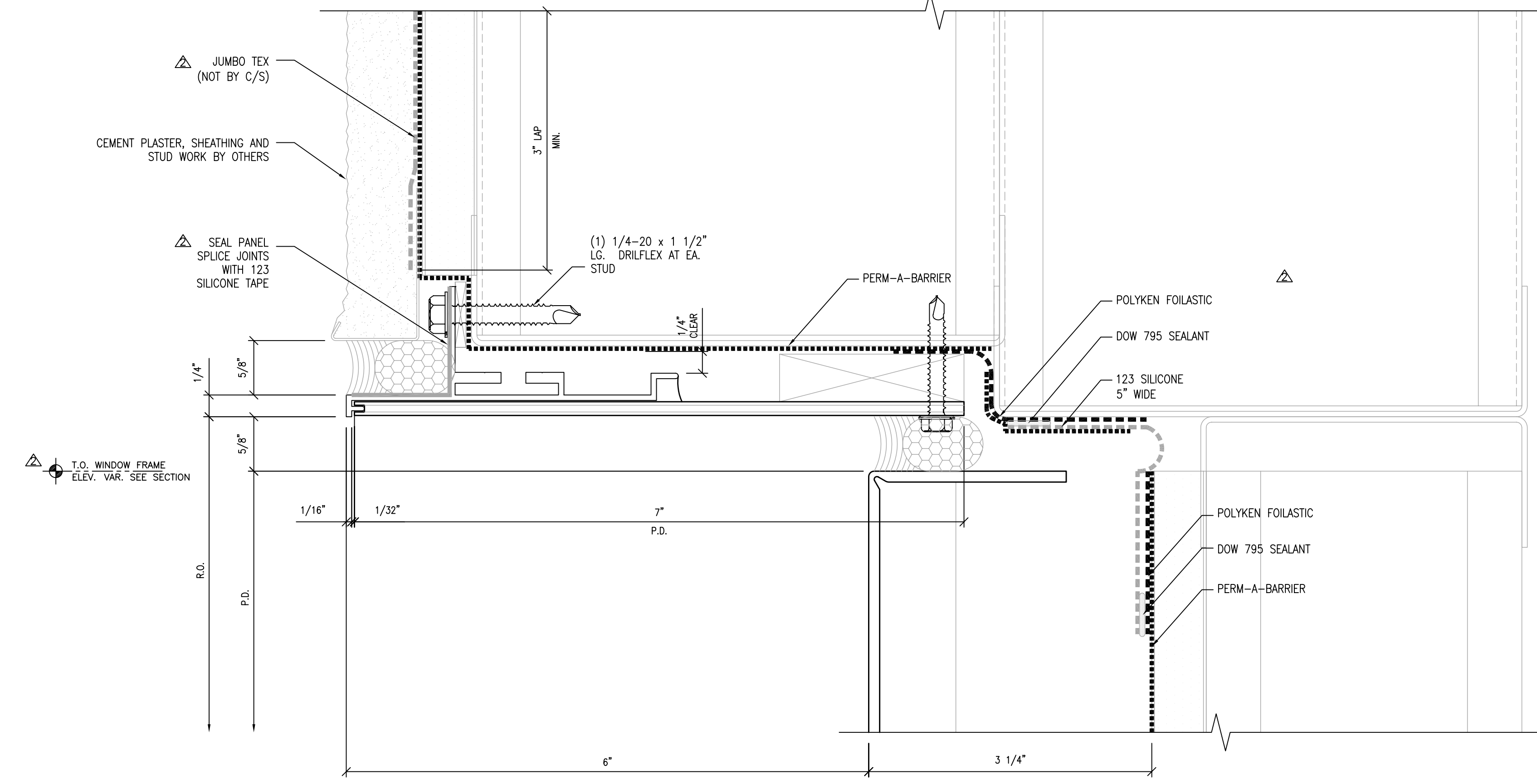
**COLLEGE OF SAN MATEO**  
**BUILDING 5N**  
 1700 WEST HILLSDALE BOULEVARD  
 SAN MATEO, CA. 94402

**C/S ERECTORS INC.**  
 License No. 076060  
 2500 OLD CROFT CANYON RD. SUITE. 320  
 FOLSOM, CA 95630  
 TEL: (925) 830-8113 FAX: (925) 820-6987

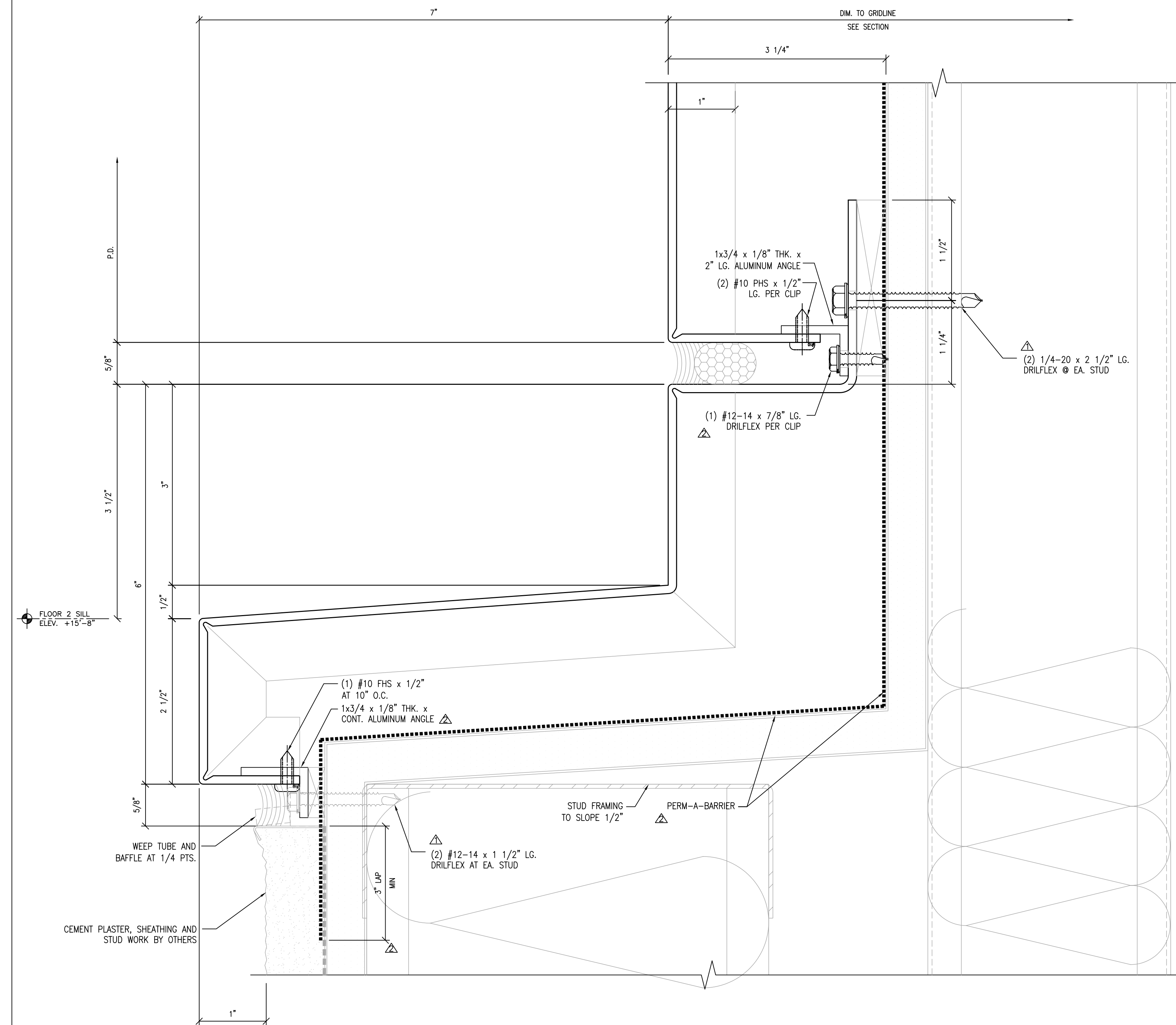
DATE: 05/30/08  
 SCALE: FULL  
 DRAWN BY: CDC  
 JOB #: D01065  
 SHEET #  
**ACH9.01A**  
 OF -- SHEETS



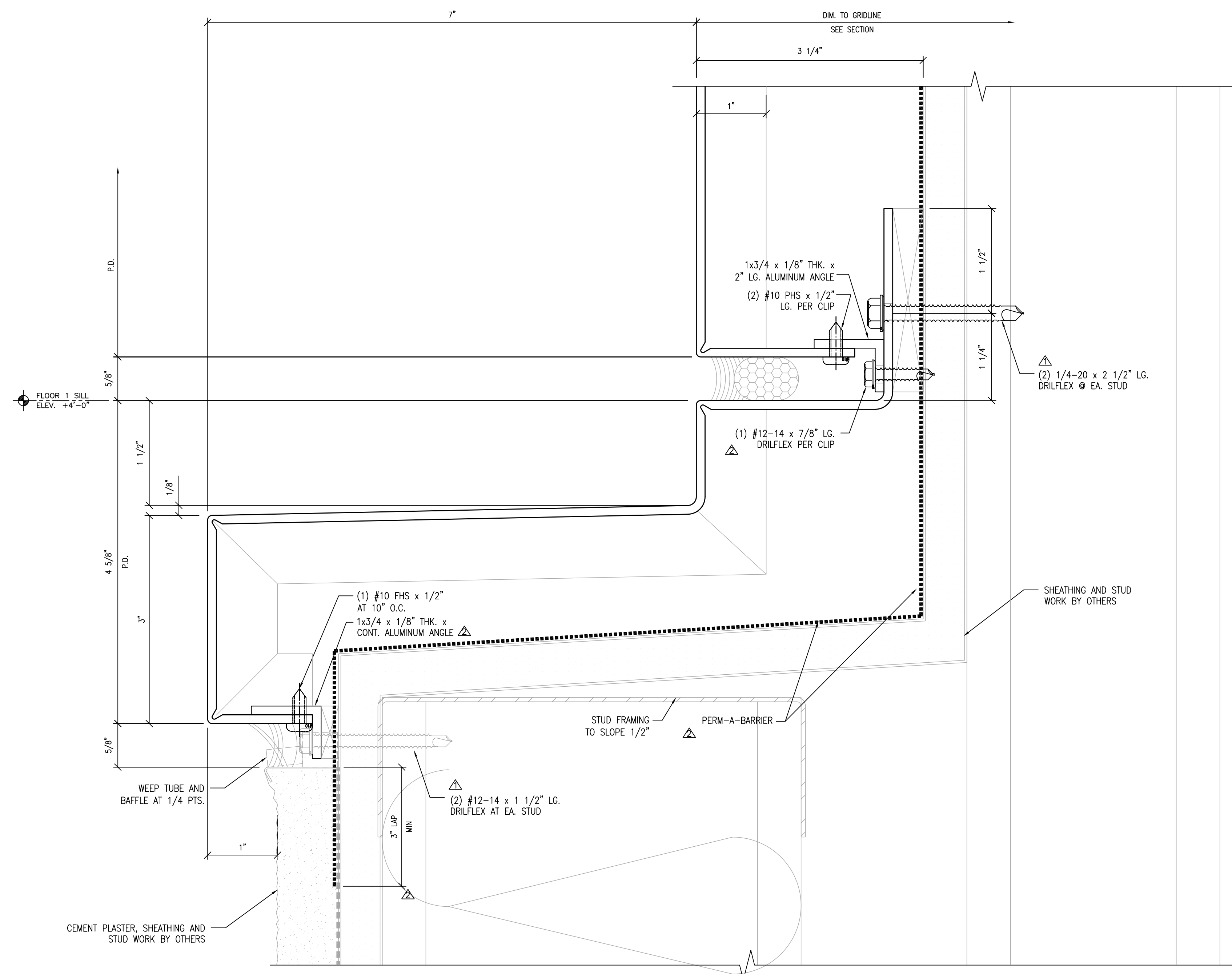
1 METAL PANEL JOINT @ EXPANSION JT.  
SCALE: FULL ARCH. REF. 12/A9.01



3 METAL EDGING AT RECESSED METAL PANEL  
SCALE: FULL ARCH. REF. 10/A9.01



2 METAL SILL @ 2ND FLOOR PLASTER WALL  
SCALE: FULL ARCH. REF. 11/A9.01



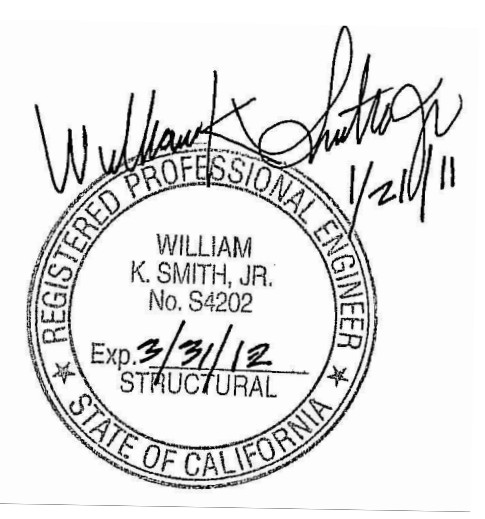
4 METAL SILL @ 1ST FLOOR WINDOW  
SCALE: FULL ARCH. REF. 9/A9.01

NO.	DATE	REVISION DESCRIPTION
5	10/15/10	AS BUILT
4	03-26-10	FOR RECORD
3	05-18-09	FOR FABRICATION
2	03-18-09	SGH ARCH. C/S REV.
1	10-09-08	PER DSA COMMENTS

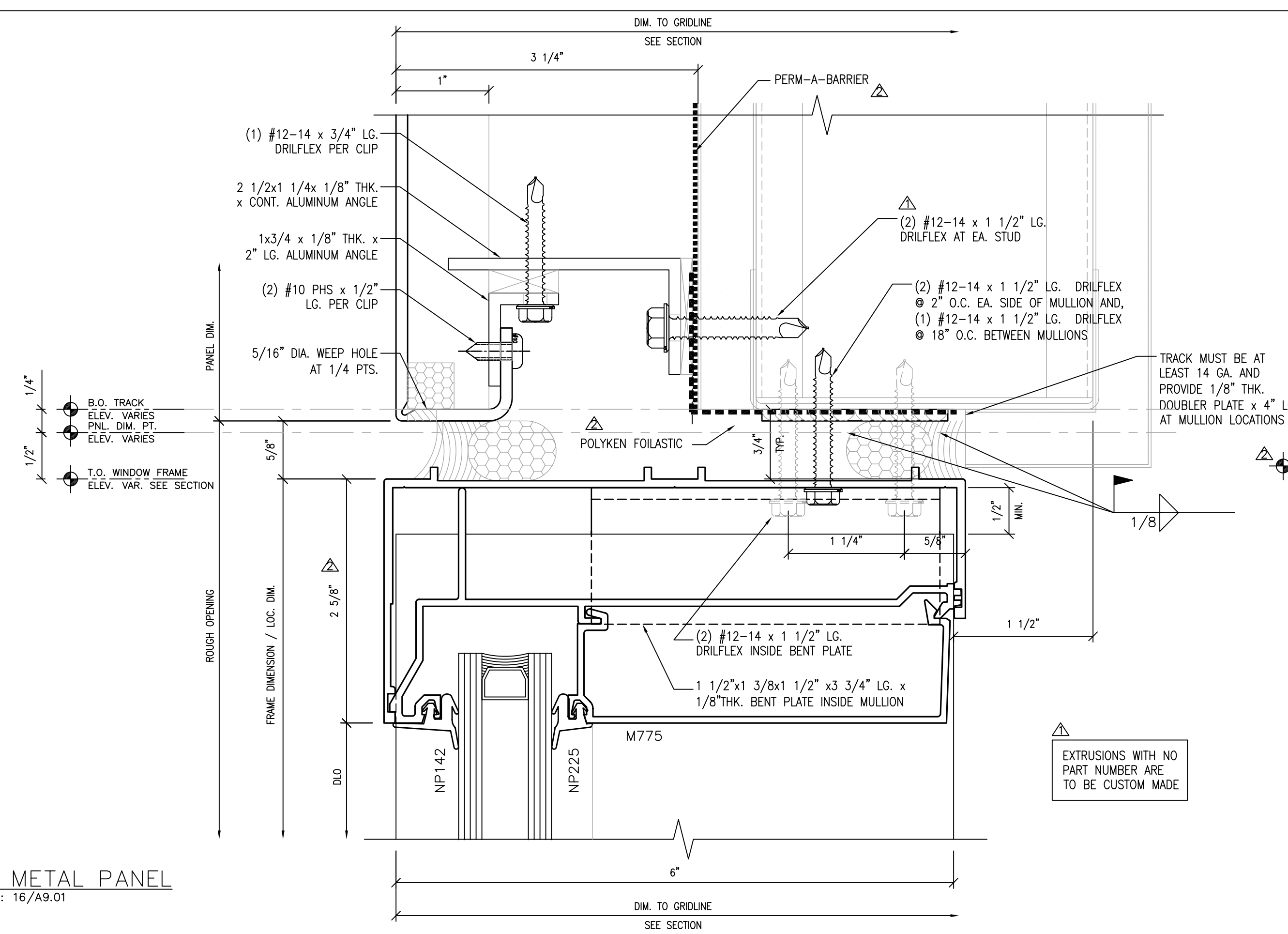
**COLLEGE OF SAN MATEO**  
**BUILDING 5N**  
 1700 WEST HILLSDALE BOULEVARD  
 SAN MATEO, CA. 94402

**C/S Erectors Inc.** INSTALLER OF ARCHITECTURAL PANEL SYSTEMS  
 License No. 076606  
 2500 OLD CROFT CANYON RD. SUITE. 320  
 SAN MATEO, CA 94403  
 TEL: (925) 820-6113 FAX: (925) 820-6987

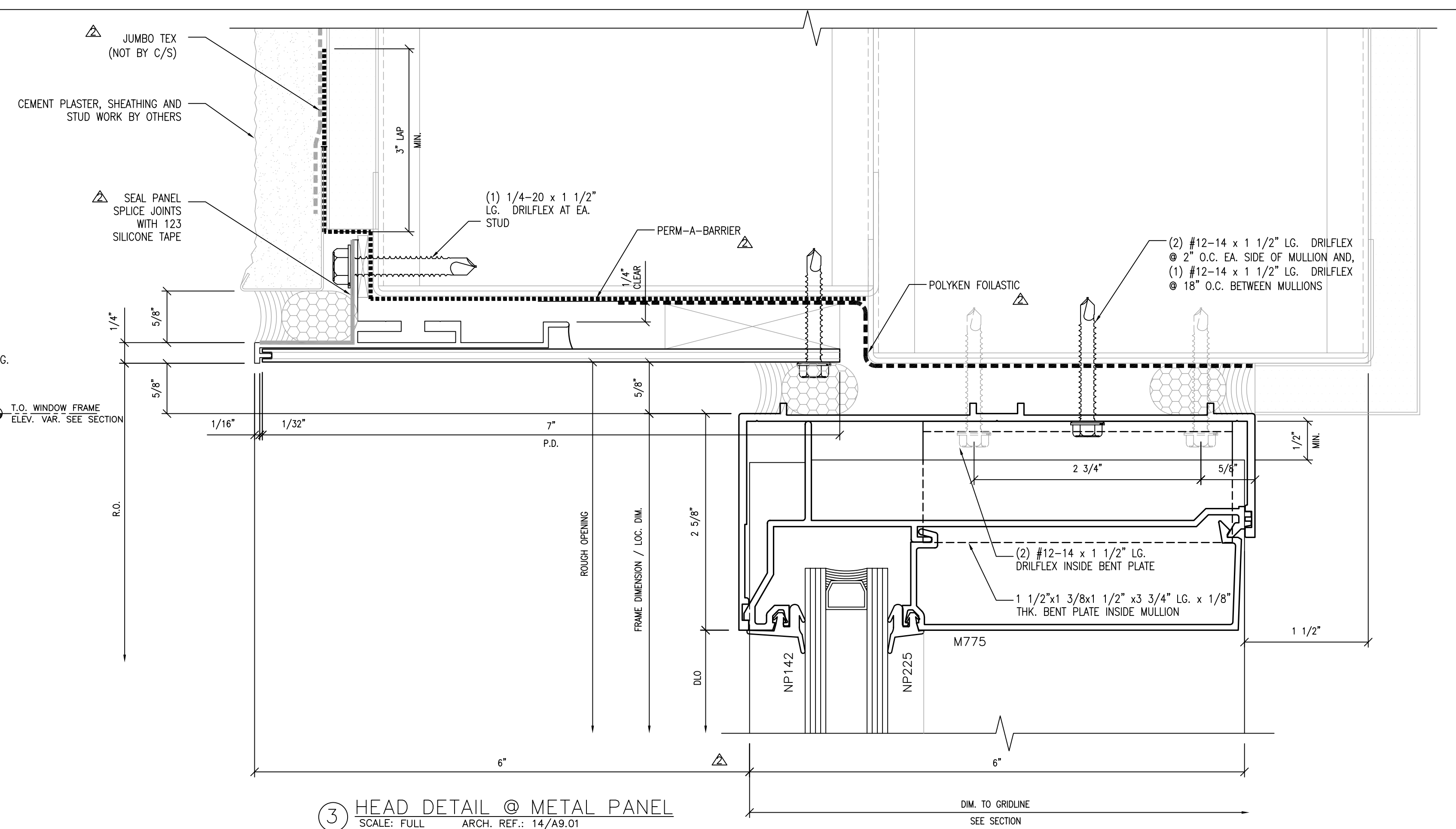
DATE: 05/30/08  
 SCALE: FULL  
 DRAWN BY: CDC  
 JOB # D01065  
 SHEET # **ACH9.01B**  
 OF -- SHEETS



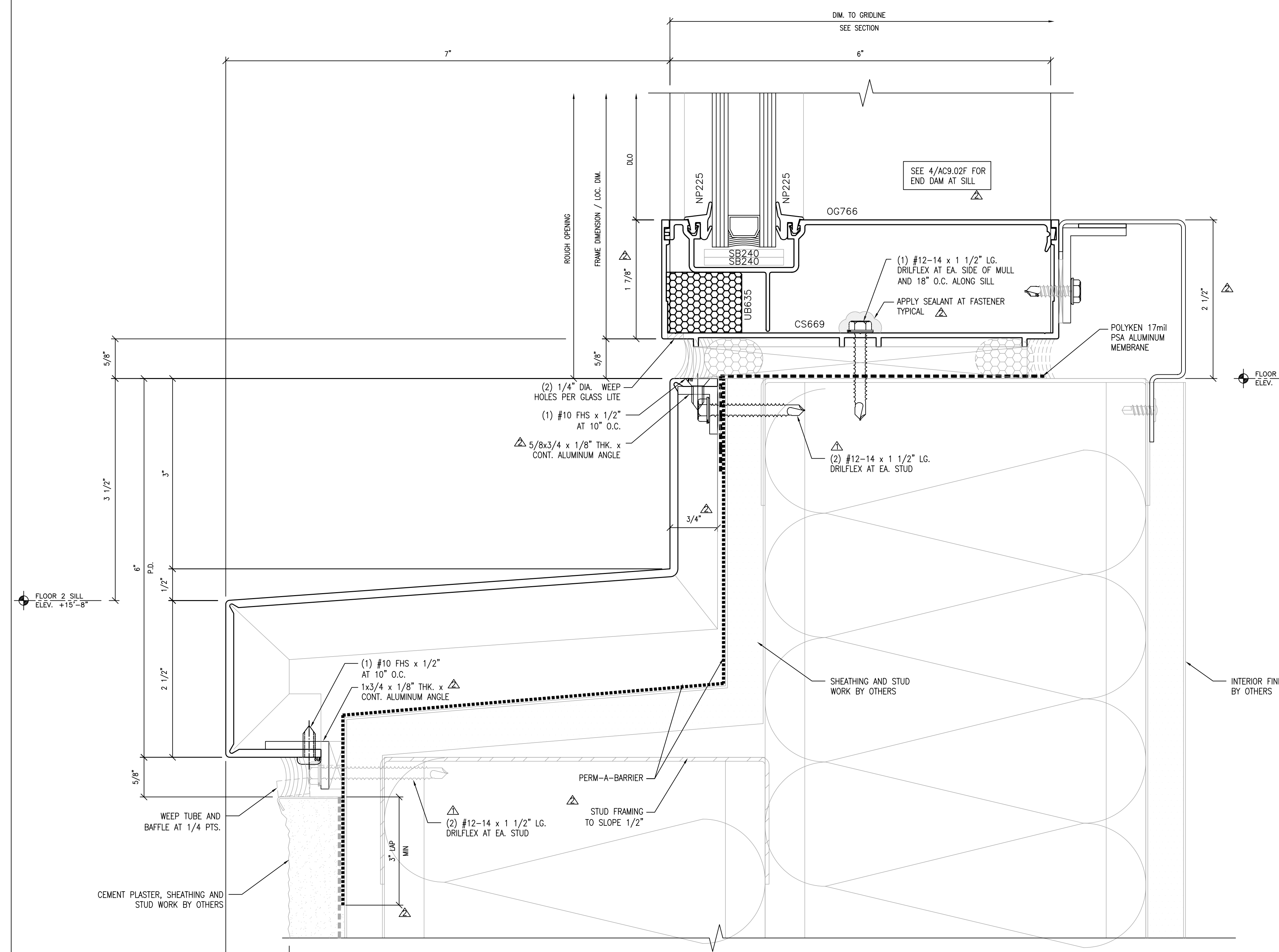
1 HEAD DETAIL @ METAL PANEL  
SCALE: FULL ARCH. REF.: 16/A9.01



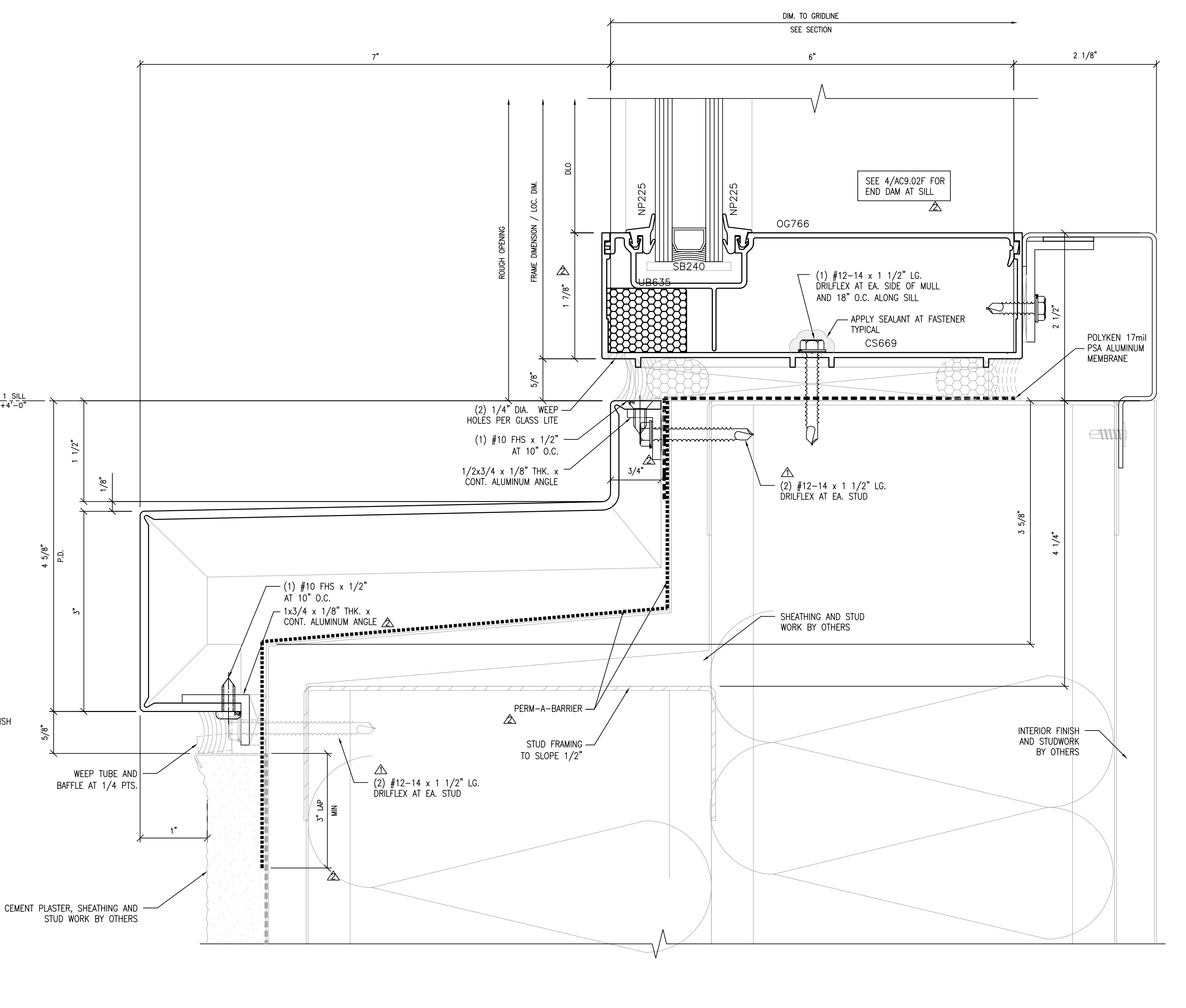
3 HEAD DETAIL @ METAL PANEL  
SCALE: FULL ARCH. REF.: 14/A9.01



2 METAL SILL @ 2ND FLOOR WINDOW  
SCALE: FULL ARCH. REF.: 15/A9.01



4 METAL SILL @ 1ST FLOOR WINDOW  
SCALE: FULL ARCH. REF.: 13/A9.01

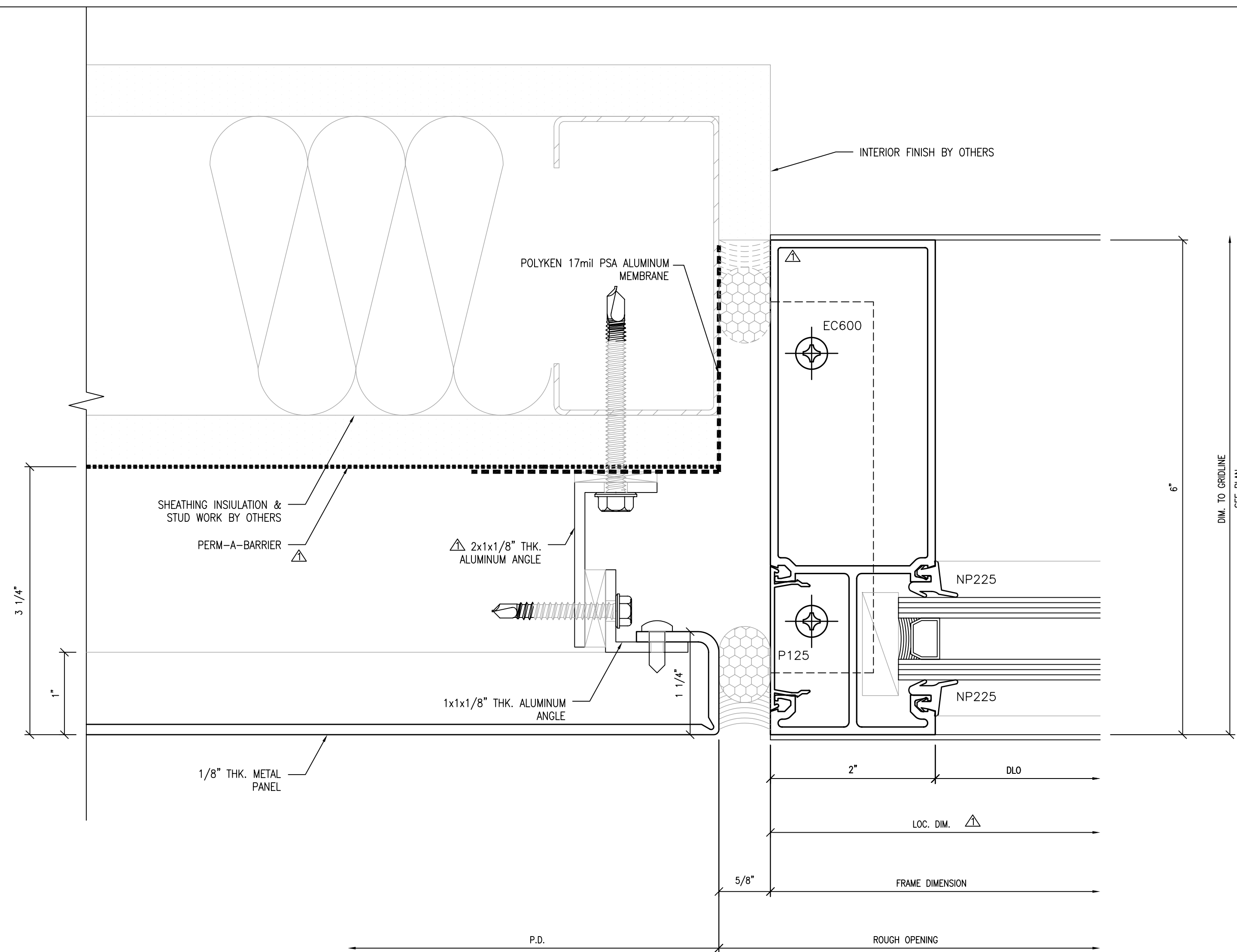


NO.	DATE	REVISION DESCRIPTION
4	10/15/10	AS BUILT
3	03-26-10	FOR RECORD
2	03-18-09	SGH ARCH. C/S REV.
1	10-09-08	PER DSA COMMENTS

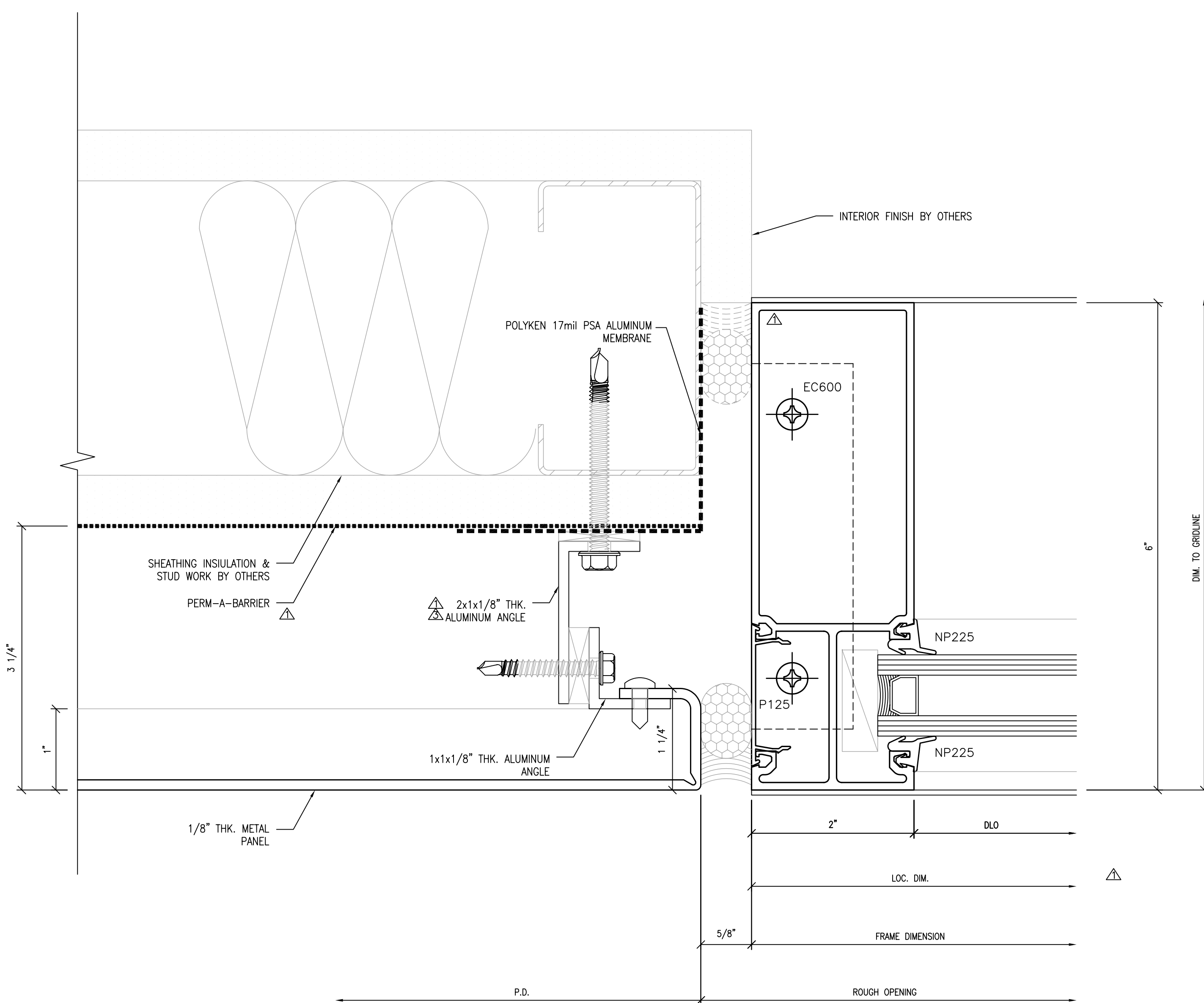
COLLEGE OF SAN MATEO  
BUILDING 5N  
1700 WEST HILLSDALE BOULEVARD  
SAN MATEO, CA. 94402

C/S ERECTORS INC. INSTALLER OF ARCHITECTURAL PANEL SYSTEMS  
License No. 076060  
2500 OLD CROFT CANYON RD. SUITE. 320  
SAN MATEO, CA 94403  
TEL: (925) 830-8113 FAX: (925) 820-8987

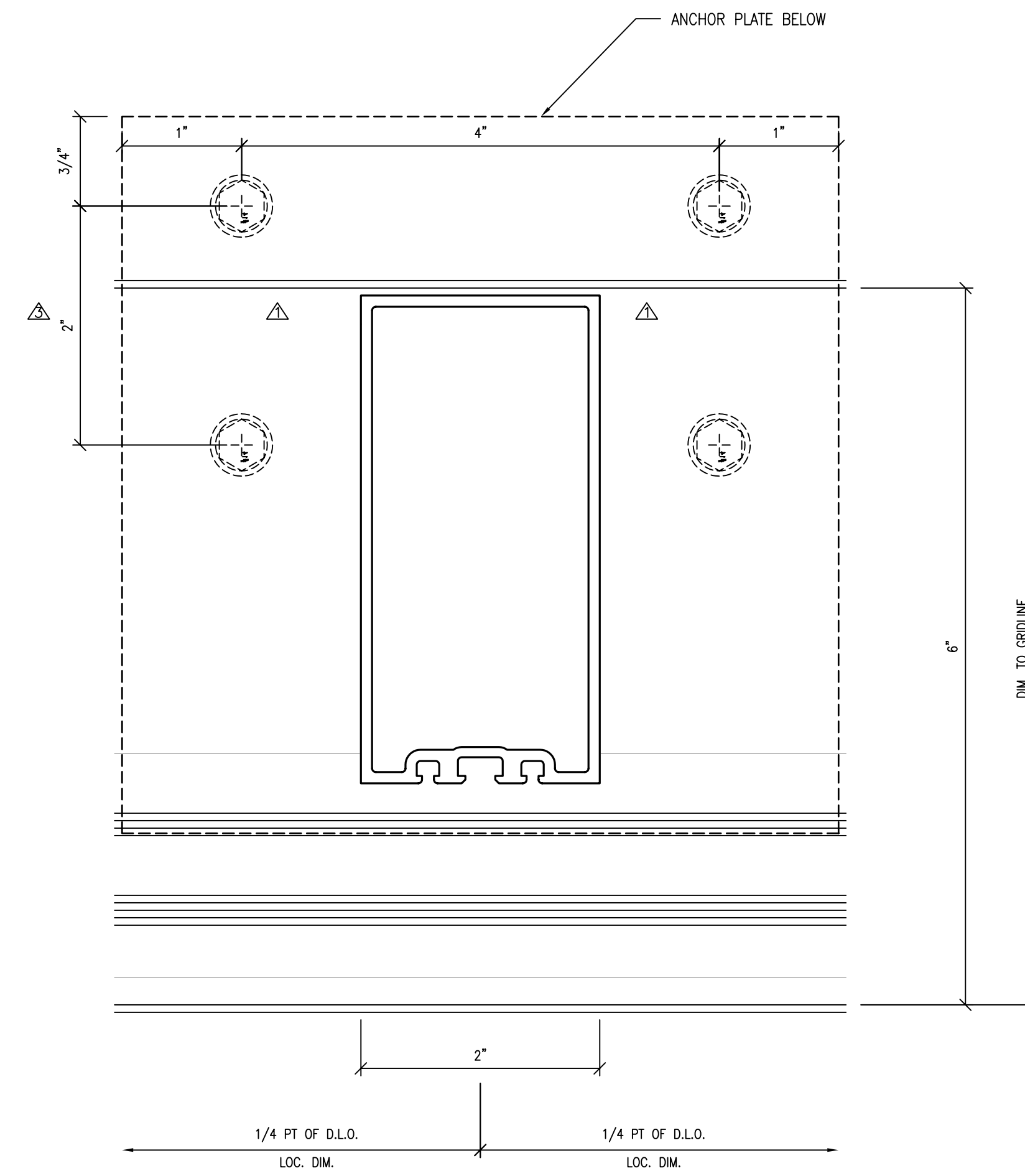
DATE: 05/30/08  
SCALE: FULL  
DRAWN BY: CDC  
JOB #: D01065  
SHEET #  
AC9.01C  
OF -- SHEETS



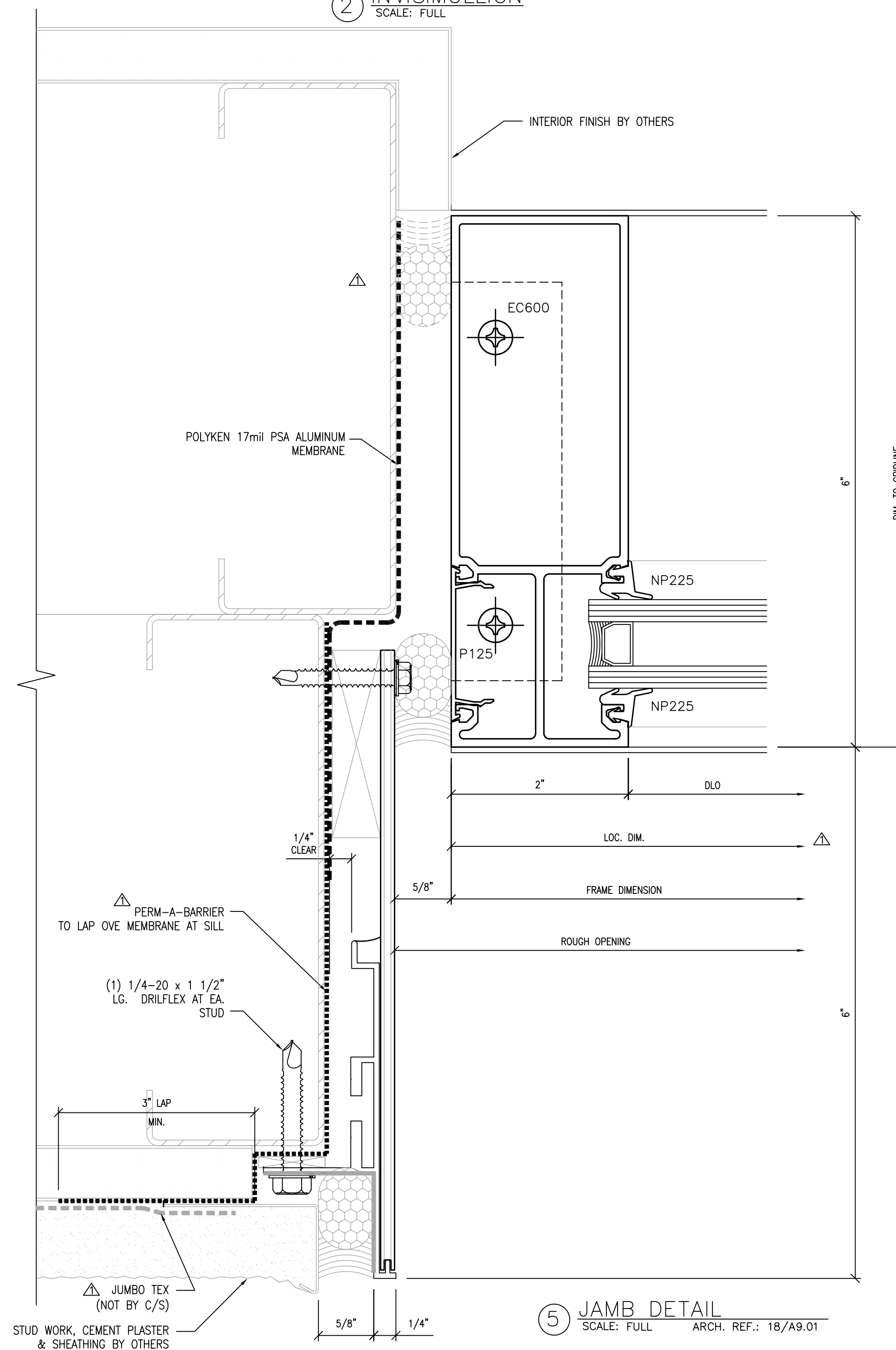
1 JAMB DETAIL @ METAL PANEL  
SCALE: FULL



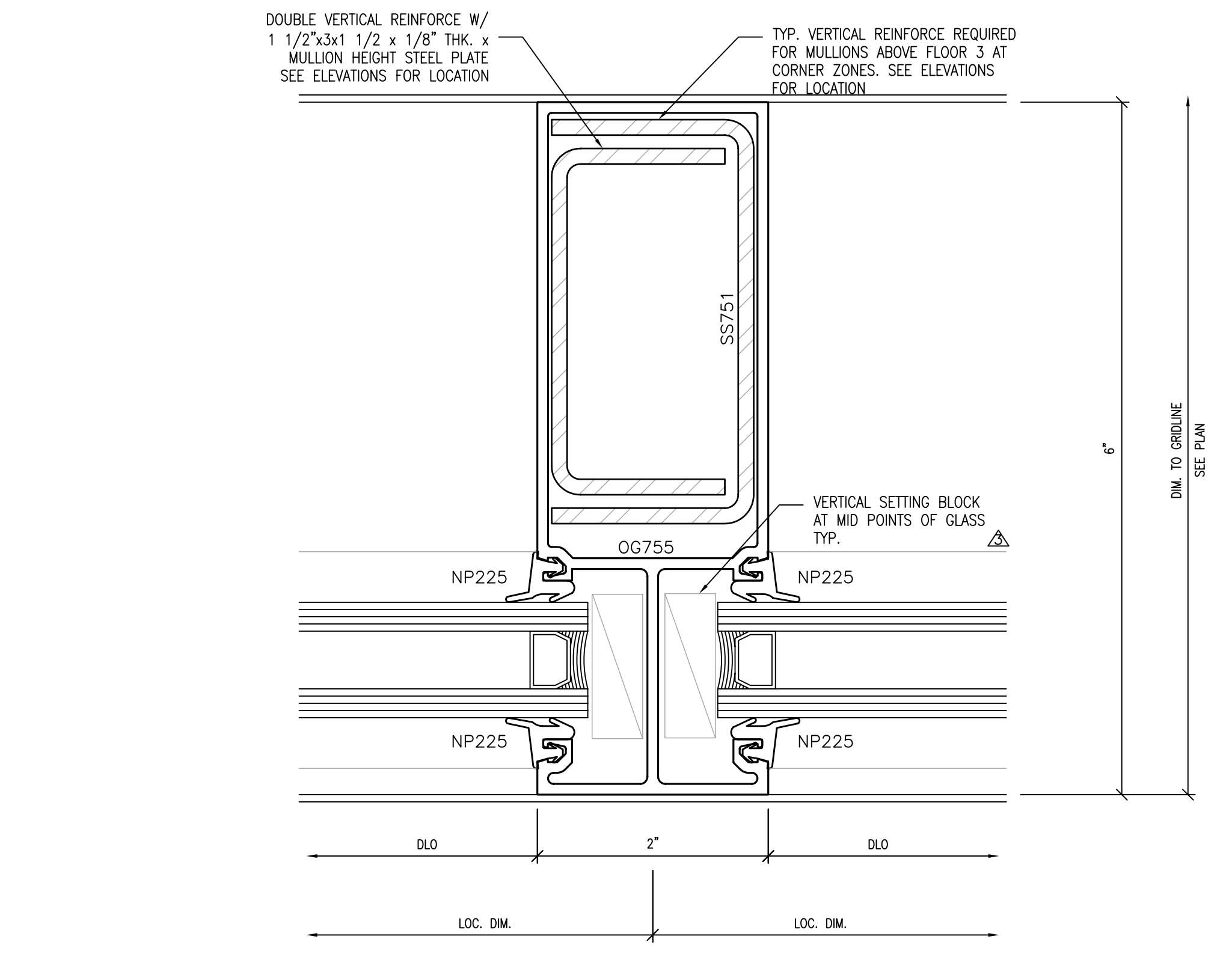
4 JAMB DETAIL @ METAL PANEL  
SCALE: FULL ARCH. REF.: 20/A9.01



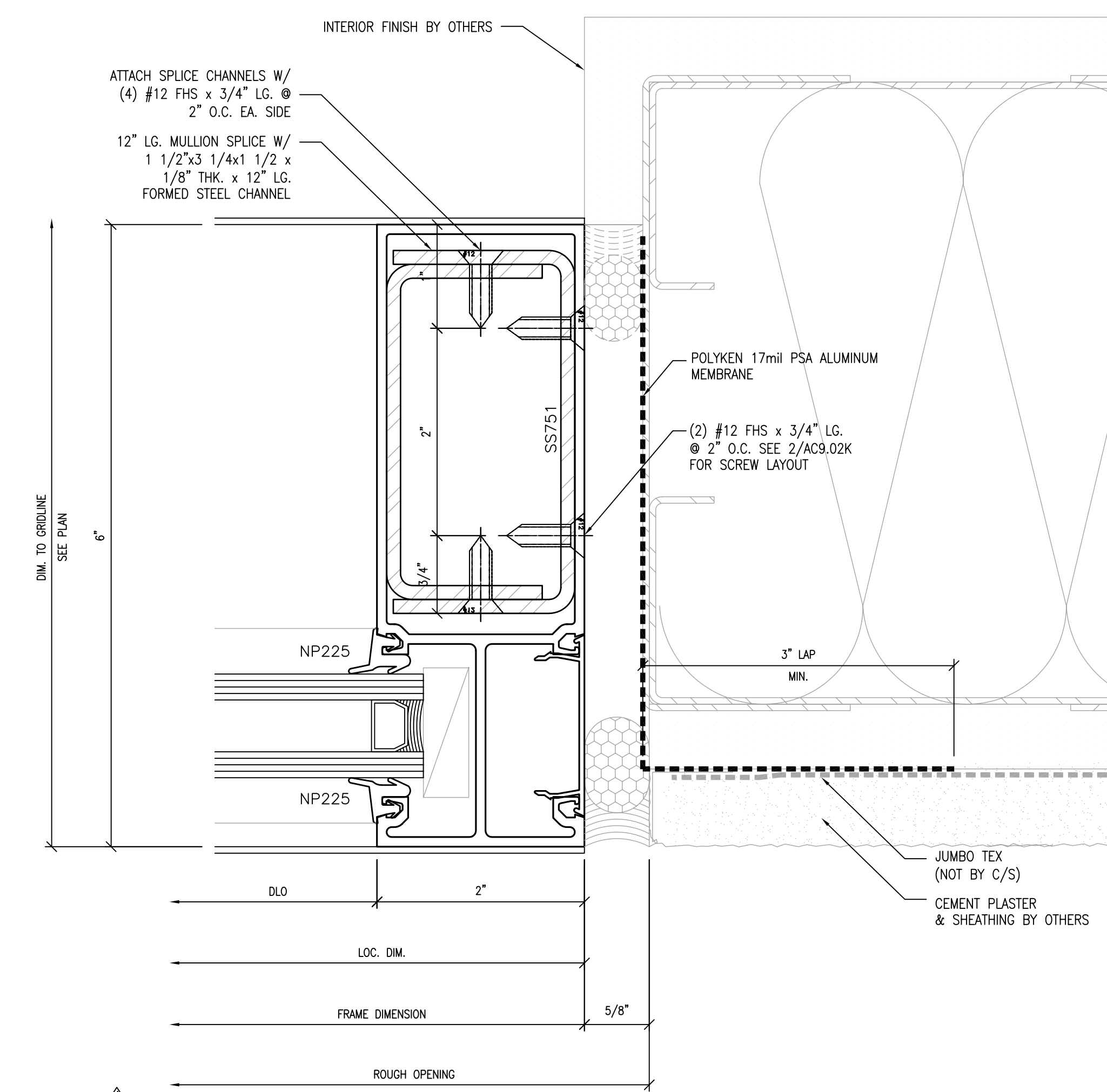
2 INVISIMULLION  
SCALE: FULL



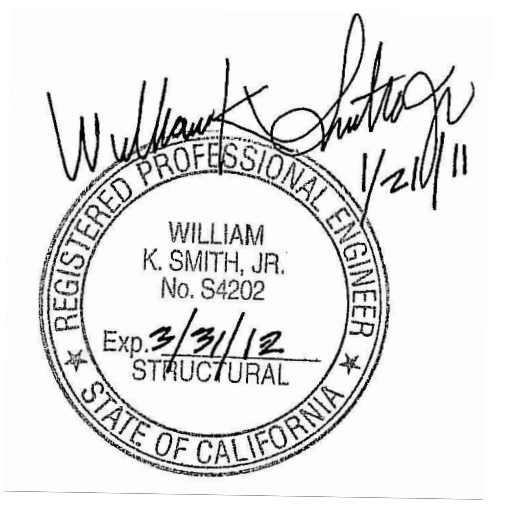
5 JAMB DETAIL  
SCALE: FULL ARCH. REF.: 18/A9.01



3 VERTICAL INTERMEDIATE  
SCALE: FULL



6 MULLION SPLICE  
SCALE: FULL ARCH. REF.:



NO.	DATE	REVISION DESCRIPTION
6	10/15/10	AS BUILT
5	03-26-10	FOR RECORD
4	10-07-09	TALL WINDOW REVISION
3	05-18-09	FOR CONSTRUCTION
2	03-18-09	SGH, ARCH., C/S REV.
1		

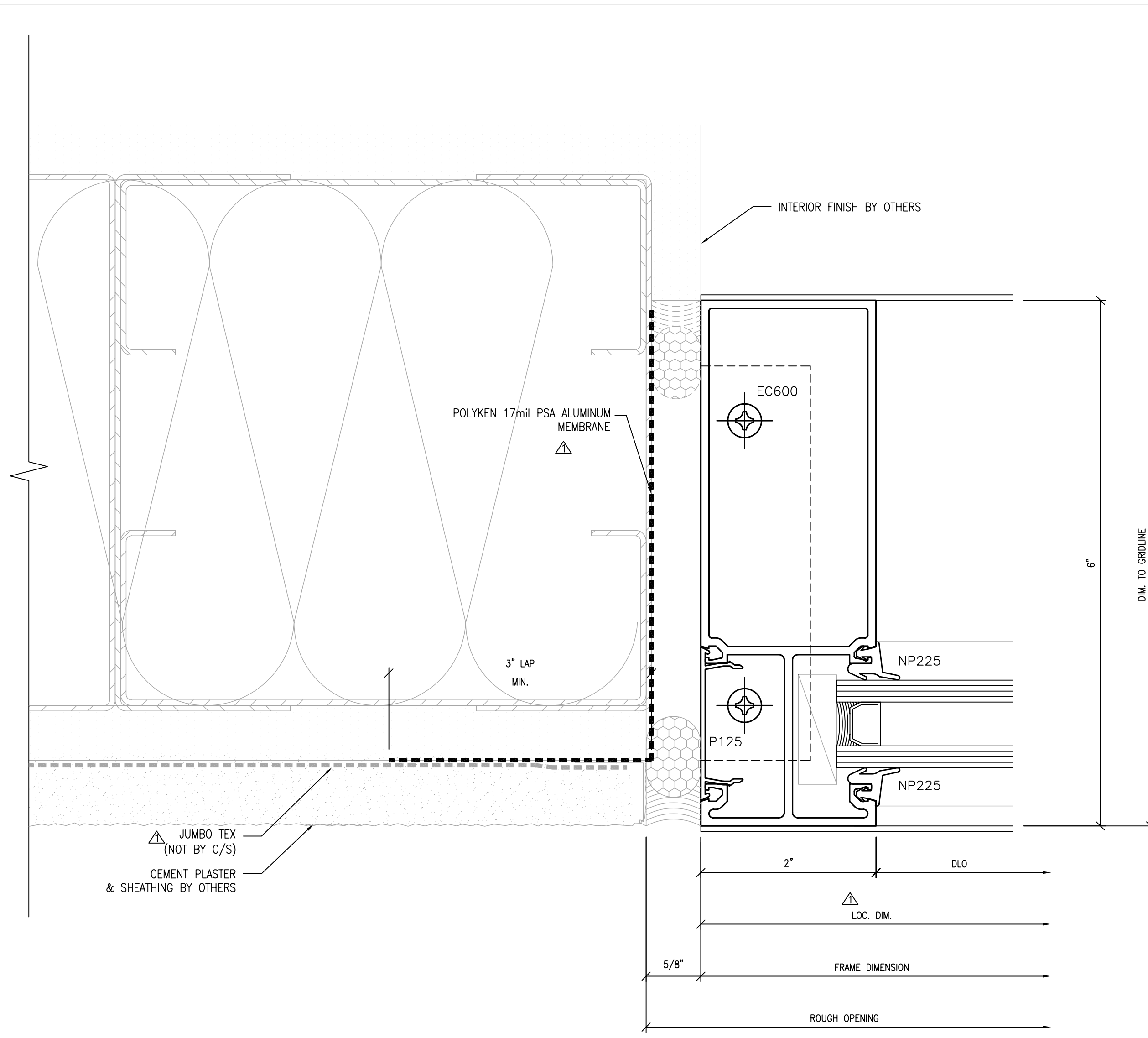
**COLLEGE OF SAN MATEO**  
**BUILDING 5N**  
 1700 WEST HILLSDALE BOULEVARD  
 SAN MATEO, CA. 94402

C/S ERECTORS INC. DIVISION OF ARCHITECTURAL PANEL SYSTEMS  
 License No. 070606

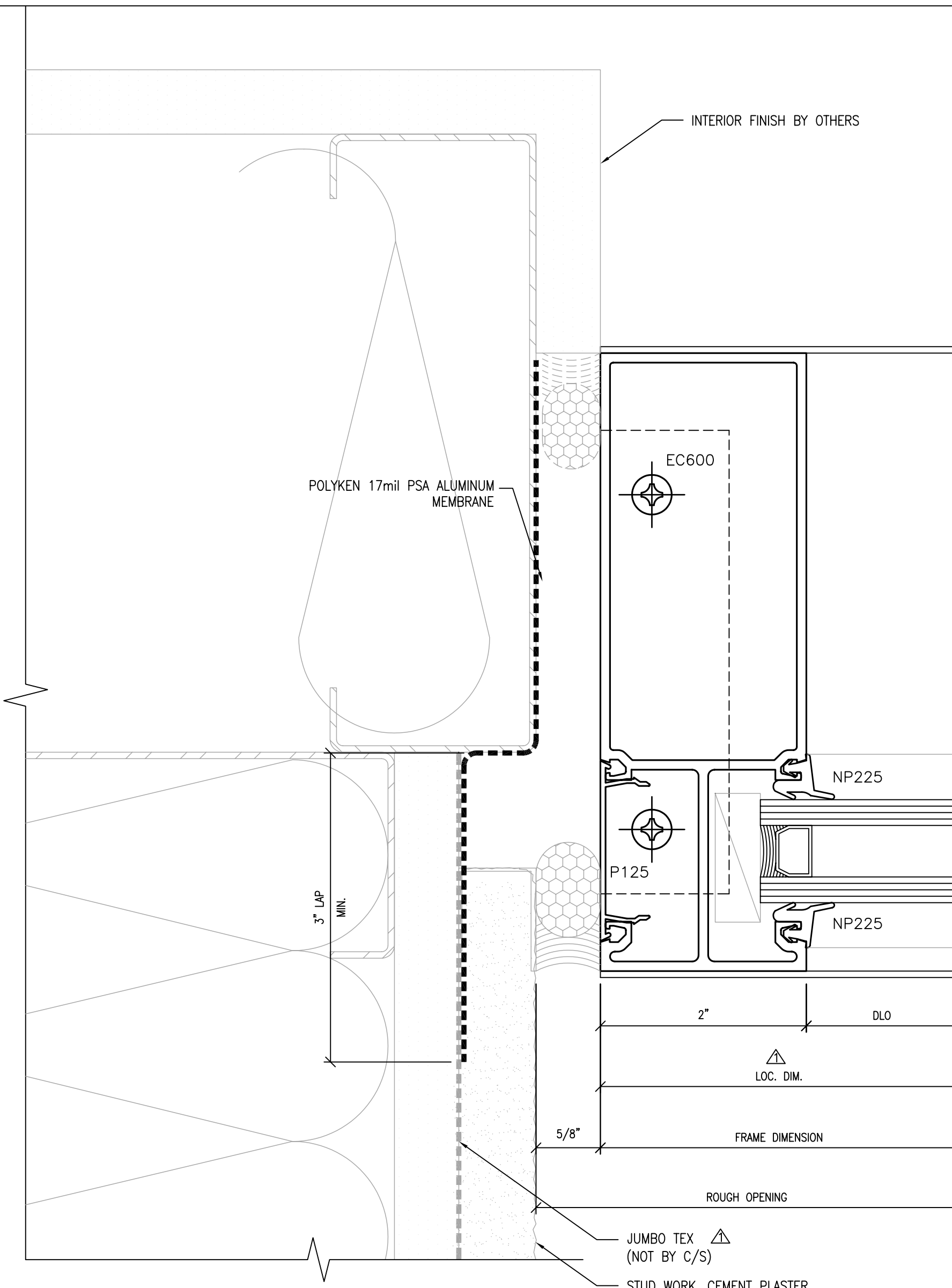
2500 OLD CROFT CANYON RD., SUITE. 320  
 SAN MATEO, CA 94403  
 TEL: (925) 830-8113 FAX: (925) 820-6987

DATE: 05/30/08  
 SCALE: FULL  
 DRAWN BY: CDC  
 JOB #: D01065

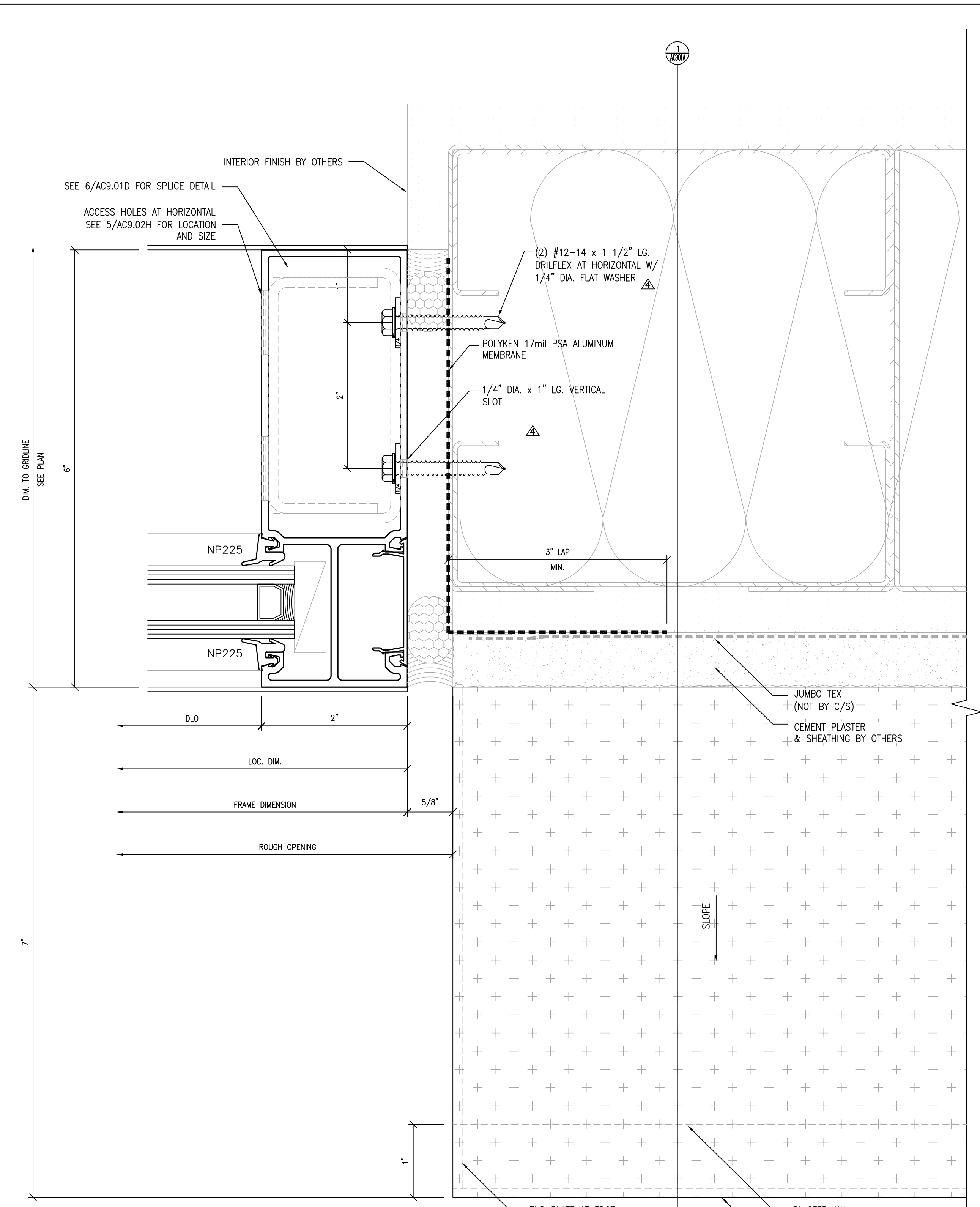
SHEET #  
**ACH.01D**  
 OF -- SHEETS



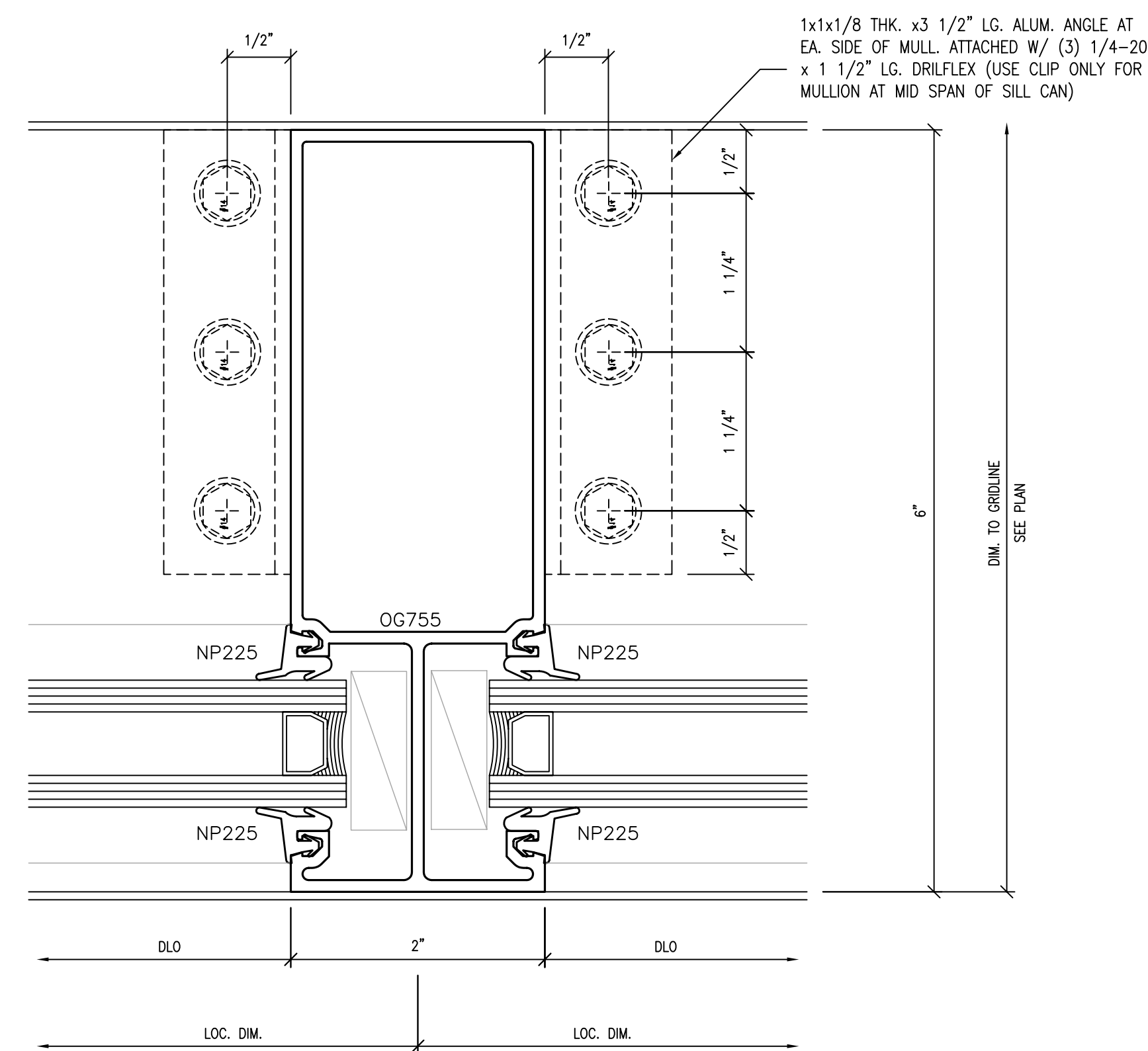
① JAMB DETAIL  
SCALE: FULL



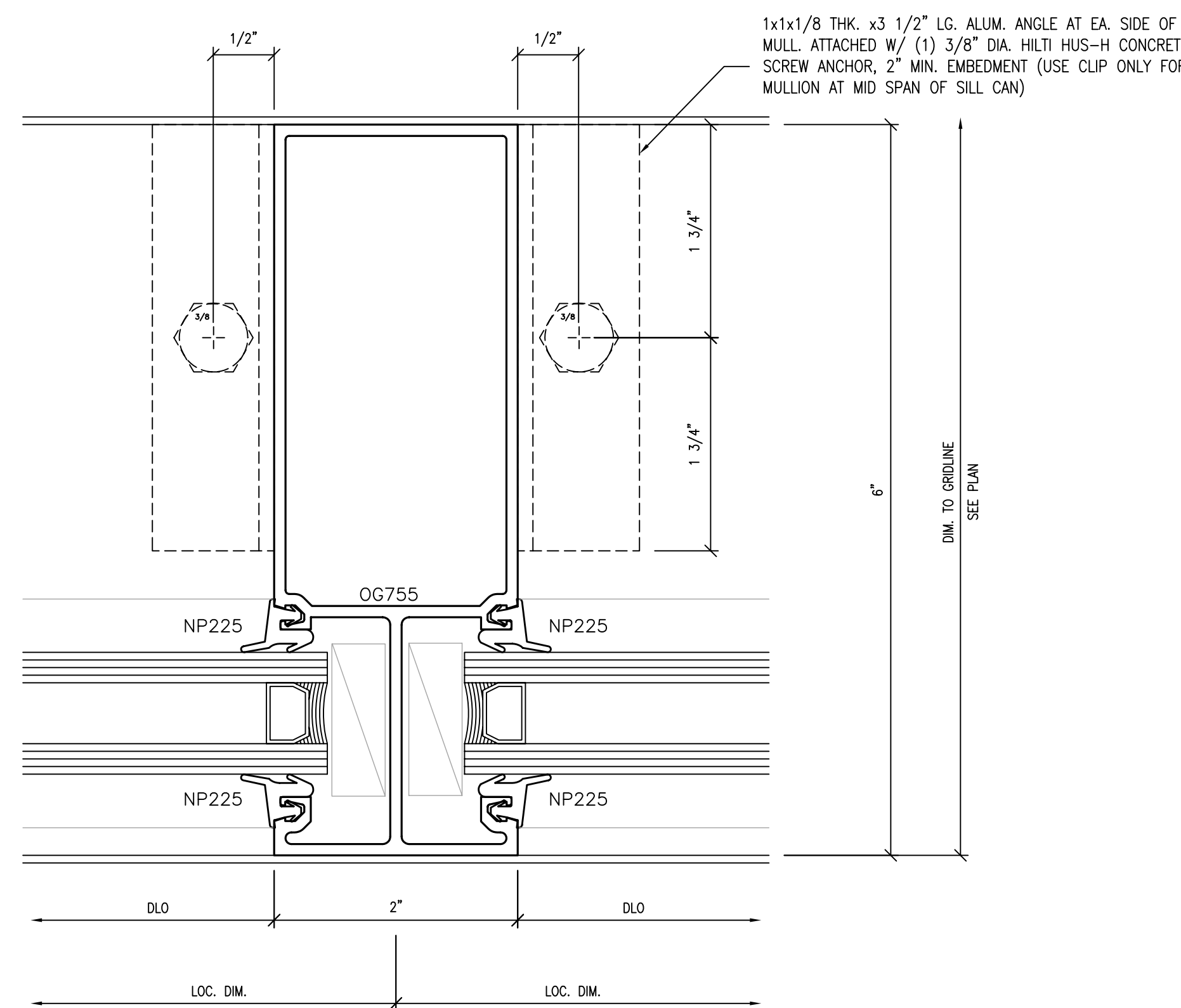
② JAMB DETAIL @ PLASTER WALL  
SCALE: FULL



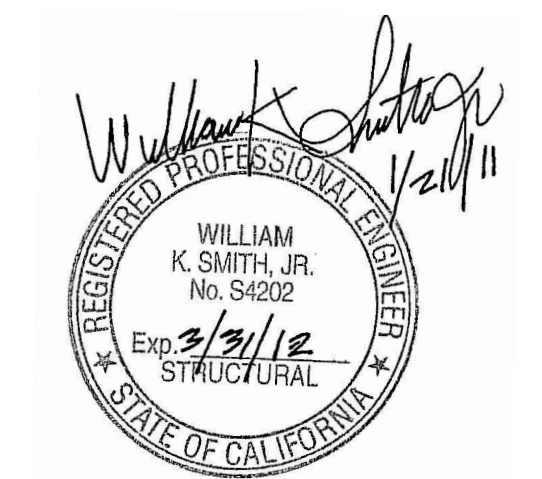
③ JAMB AT METAL SILL  
SCALE: FULL



④ FIXED MULLION AT STUDS  
SCALE: FULL



⑤ FIXED MULLION AT CONCRETE  
SCALE: FULL

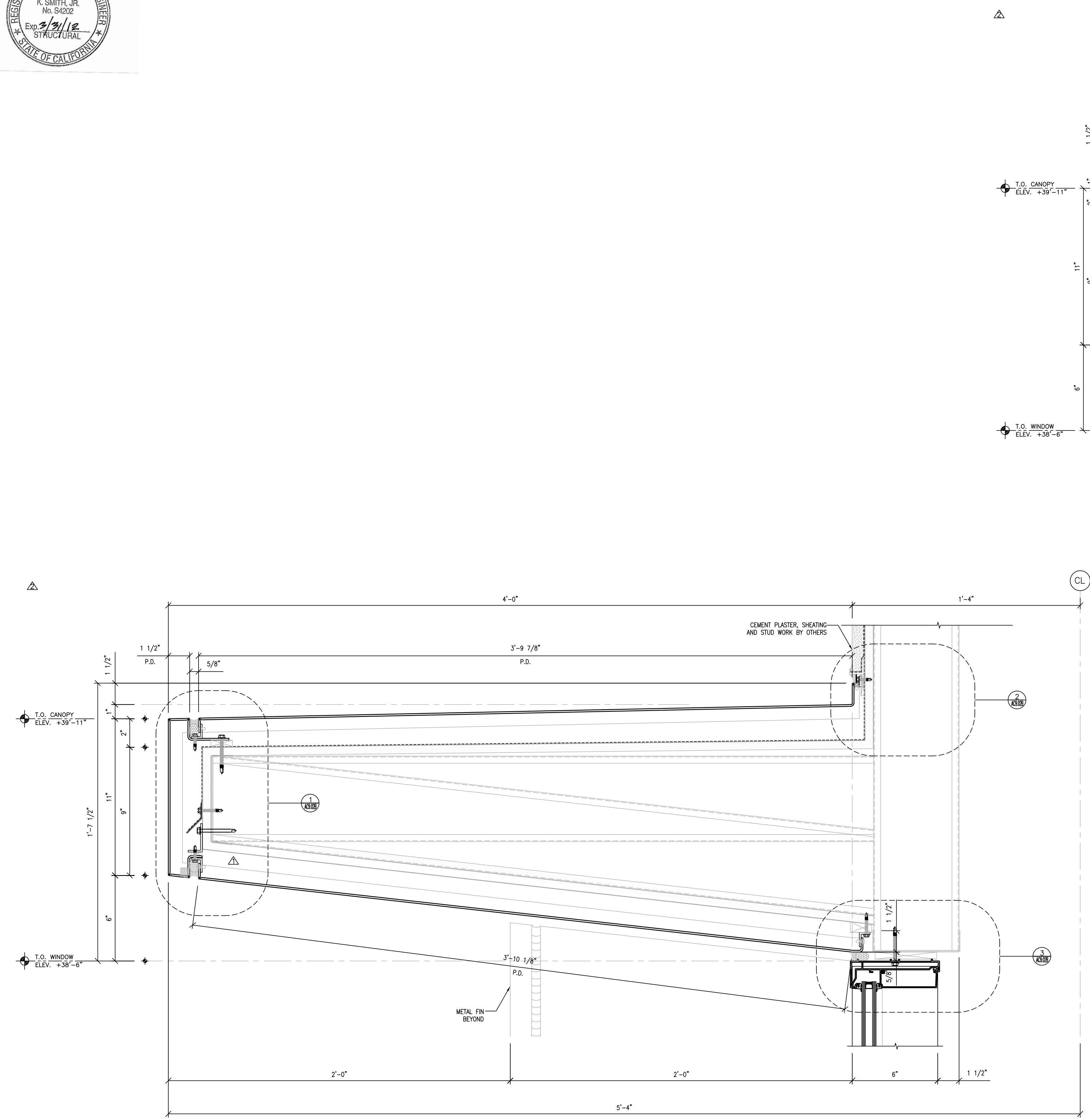
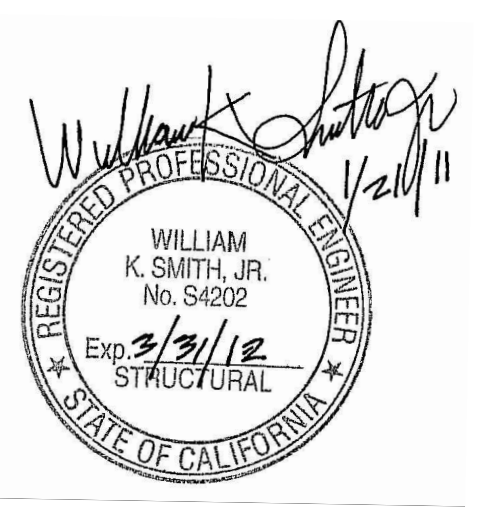


NO.	DATE	REVISION DESCRIPTION
6	10/15/10	AS BUILT
5	03-26-10	FOR RECORD
4	10-07-09	TALL WINDOW REVISION
3	05-18-09	FOR CONSTRUCTION
2	03-18-09	SGH, ARCH., C/S REV.
-	-	-

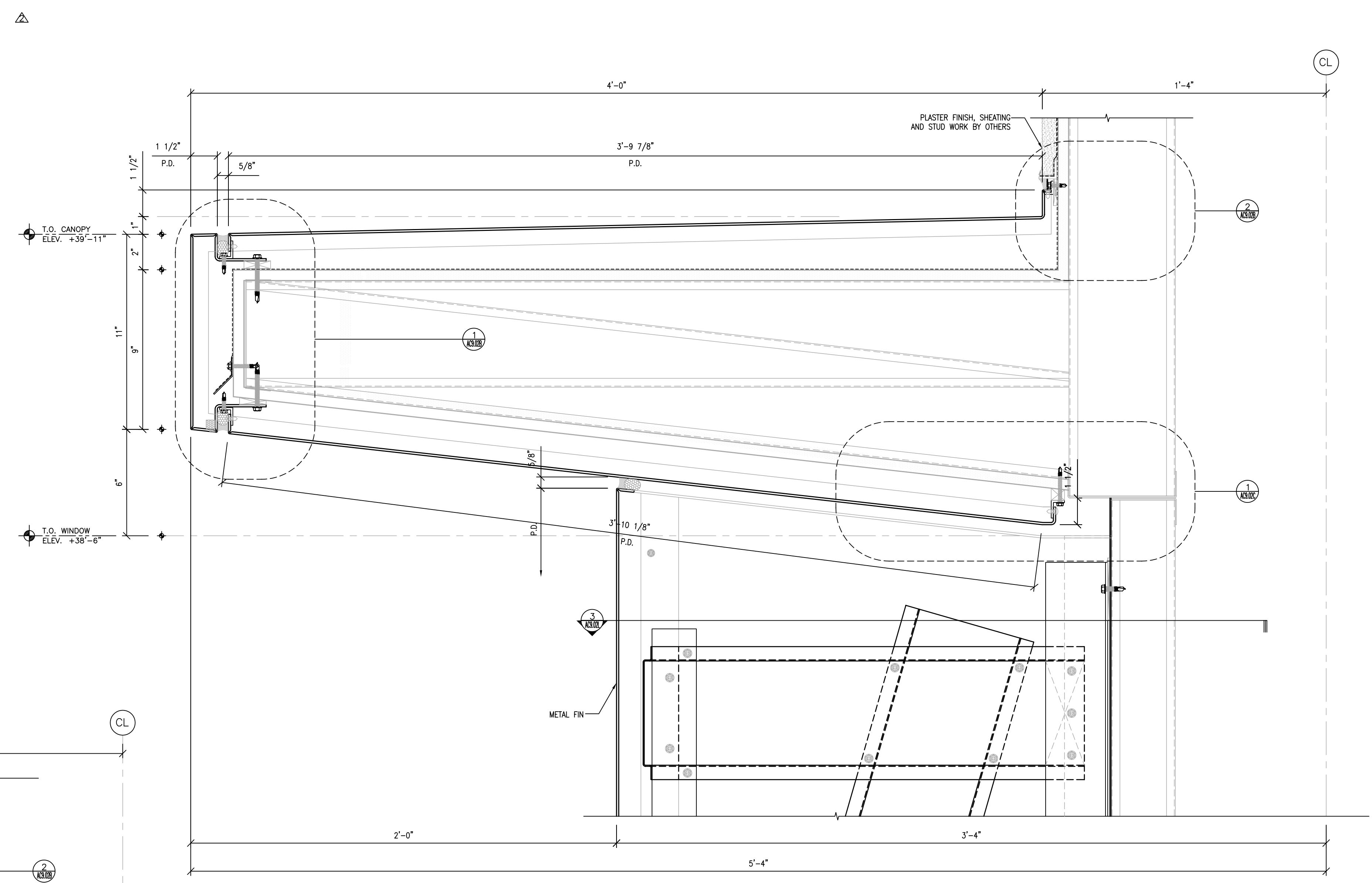
**COLLEGE OF SAN MATEO**  
**BUILDING 5N**  
 1700 WEST HILLSDALE BOULEVARD  
 SAN MATEO, CA. 94402

**C/S ERECTORS INC.** DIVISION OF ARCHITECTURAL FRAME SYSTEMS  
 License No. 070000  
 2500 OLD CROFT CANYON RD., SUITE. 320  
 TEL: (925) 820-8113 FAX: (925) 820-6987

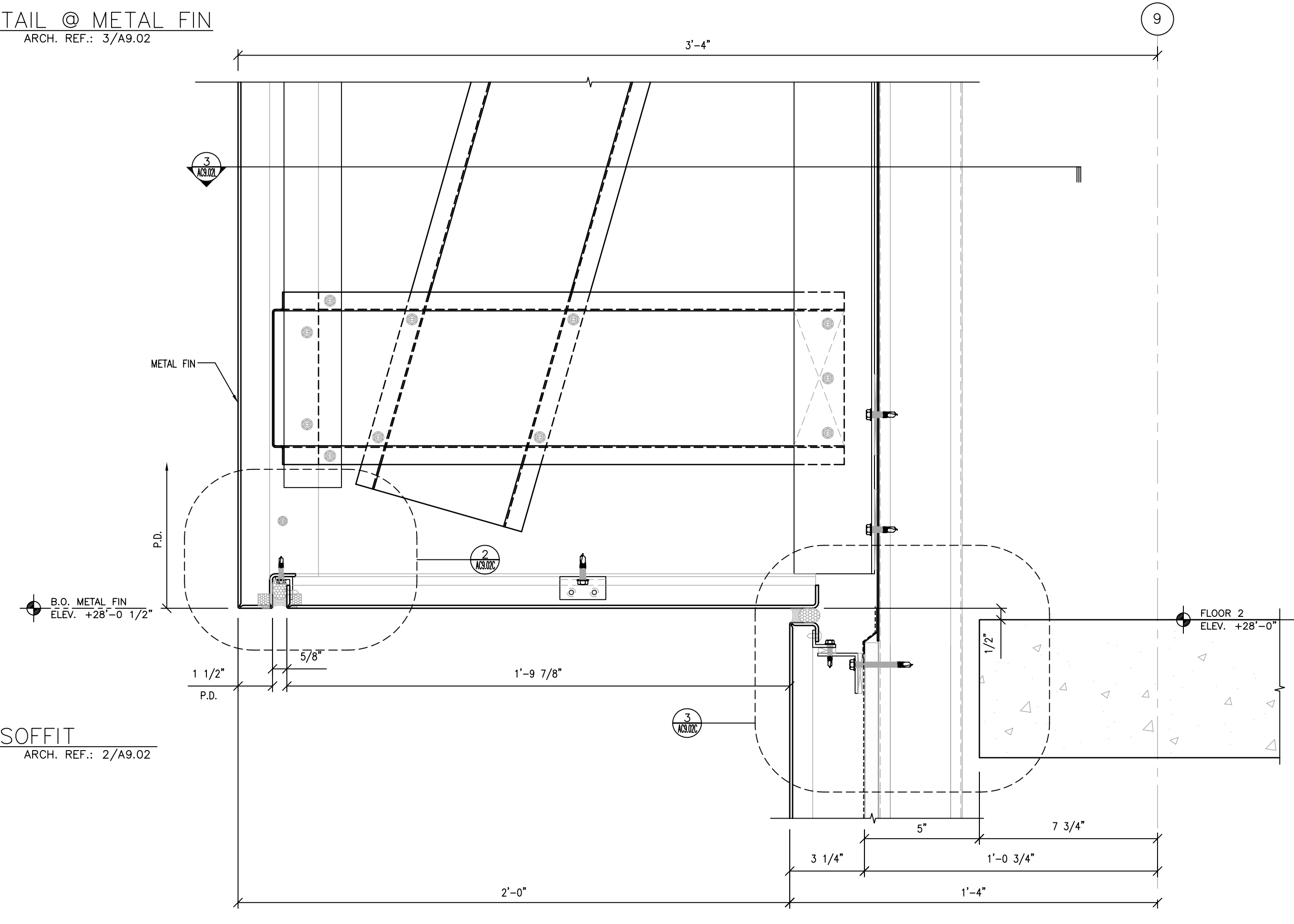
DATE: 05/30/08  
 SCALE: FULL  
 DRAWN BY: CDC  
 JOB #: D01065  
 SHEET # **ACH9.01E**  
 OF -- SHEETS



1 CANOPY DETAIL @ WINDOW  
SCALE: 3" = 1'-0" ARCH. REF.: 3/A9.02



2 CANOPY DETAIL @ METAL FIN  
SCALE: 3" = 1'-0" ARCH. REF.: 3/A9.02



3 METAL FIN SOFFIT  
SCALE: 3" = 1'-0" ARCH. REF.: 2/A9.02

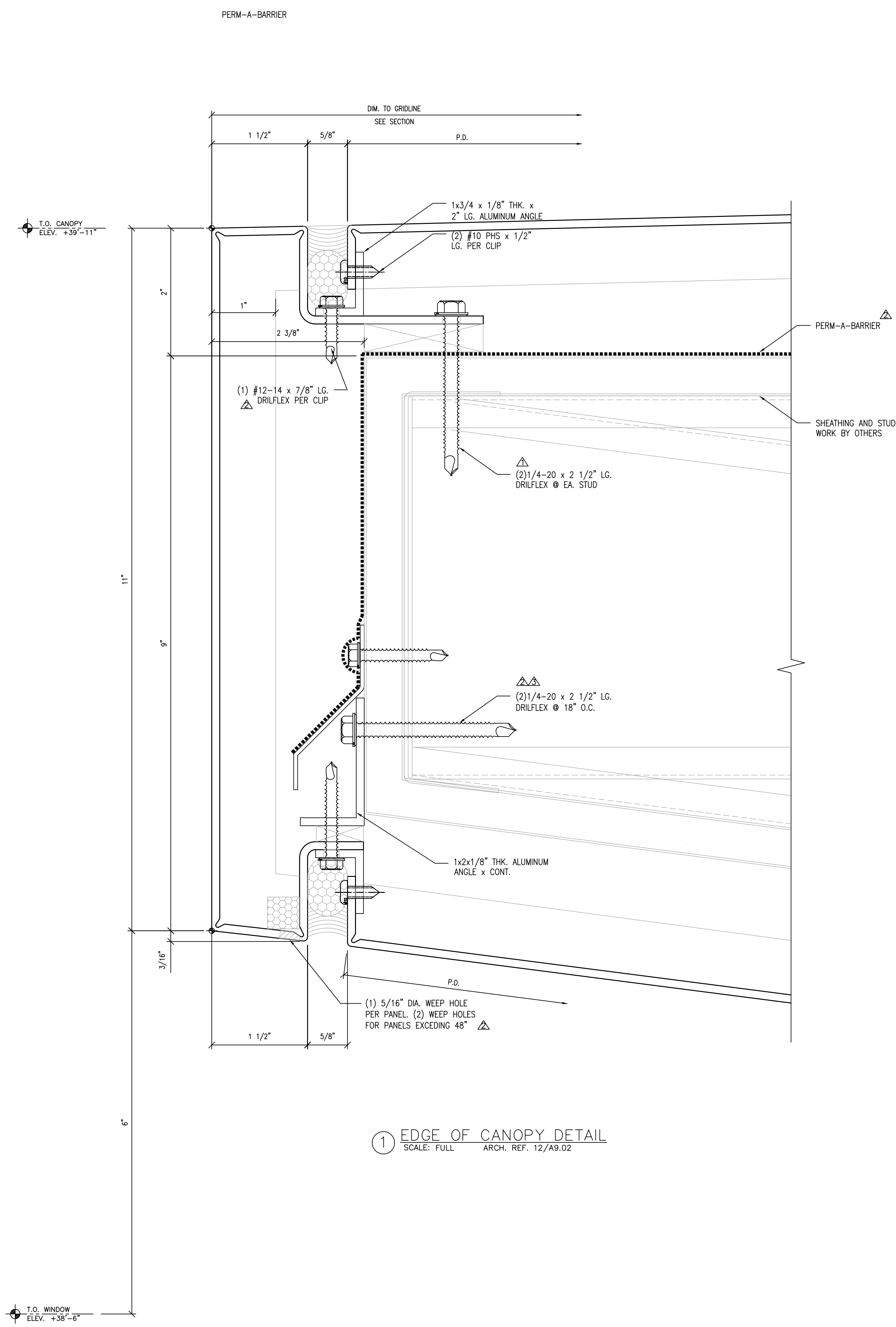
NO.	DATE	REVISION DESCRIPTION
4	10/15/10	AS BUILT
3	03-26-10	FOR RECORD
2	03-18-09	SGH, ARCH., C/S REV.
-	-	-

**COLLEGE OF SAN MATEO**  
**BUILDING 5N**  
 1700 WEST HILLSDALE BOULEVARD  
 SAN MATEO, CA. 94402

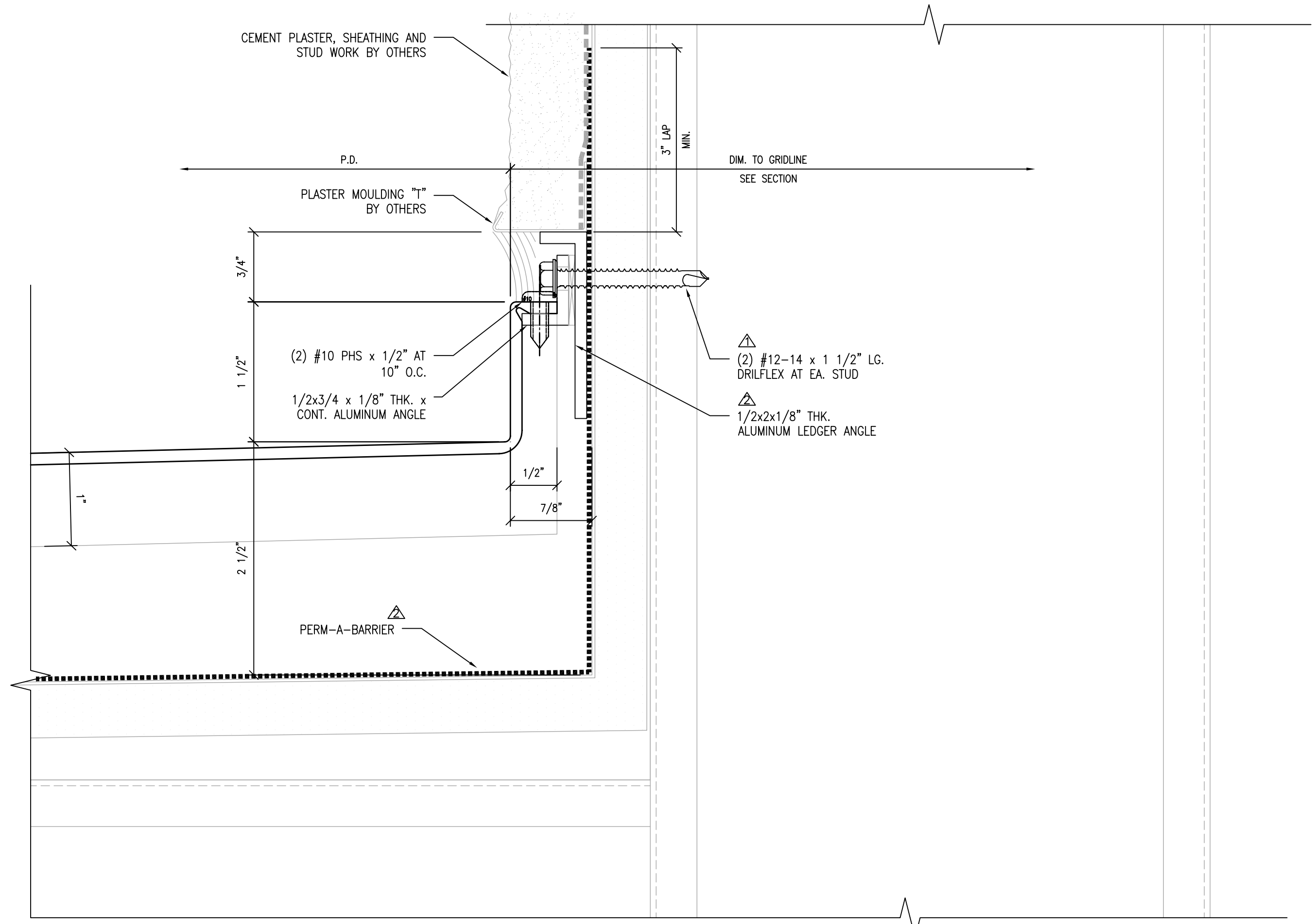
**C/S Erectors Inc.**  
 License No. 076060  
 2500 OLD CROFT CANYON RD. SUITE. 320  
 SAN MATEO, CA 94403  
 TEL: (925) 820-8113 FAX: (925) 820-8987

DATE: 05/30/08  
 SCALE: FULL  
 DRAWN BY: CDC  
 JOB #: D01065  
 SHEET #  
**AC9.02A**  
 OF -- SHEETS

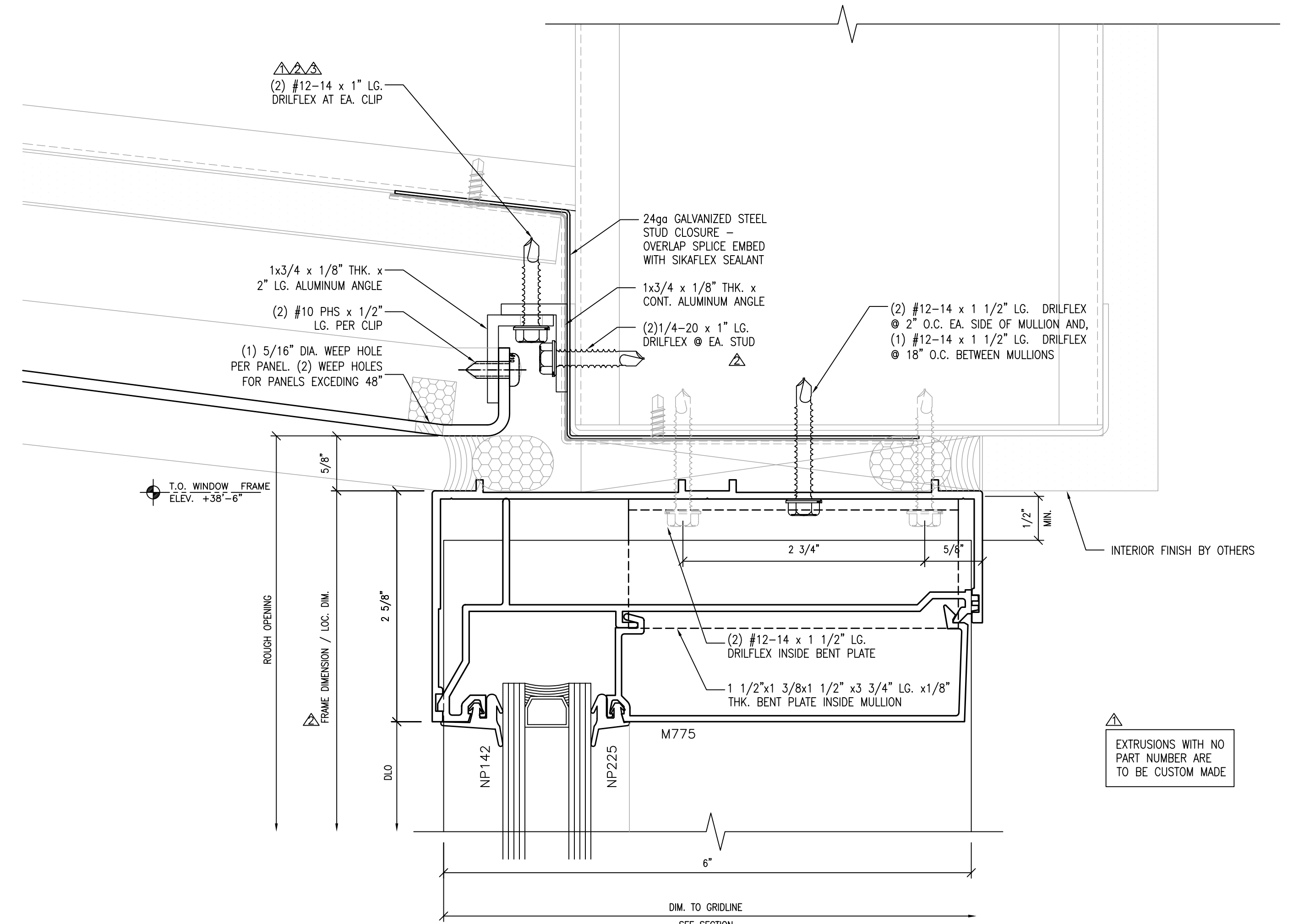




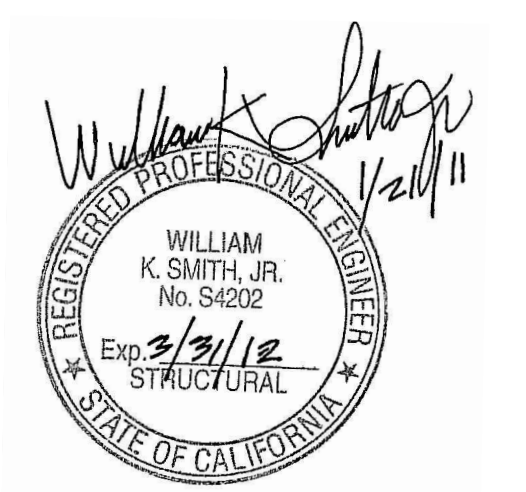
1 EDGE OF CANOPY DETAIL  
SCALE: FULL ARCH. REF: 12/A9.02



2 CANOPY AT PLASTER  
SCALE: FULL ARCH. REF: 12/A9.02



3 HEAD DETAIL @ METAL PANEL  
SCALE: FULL

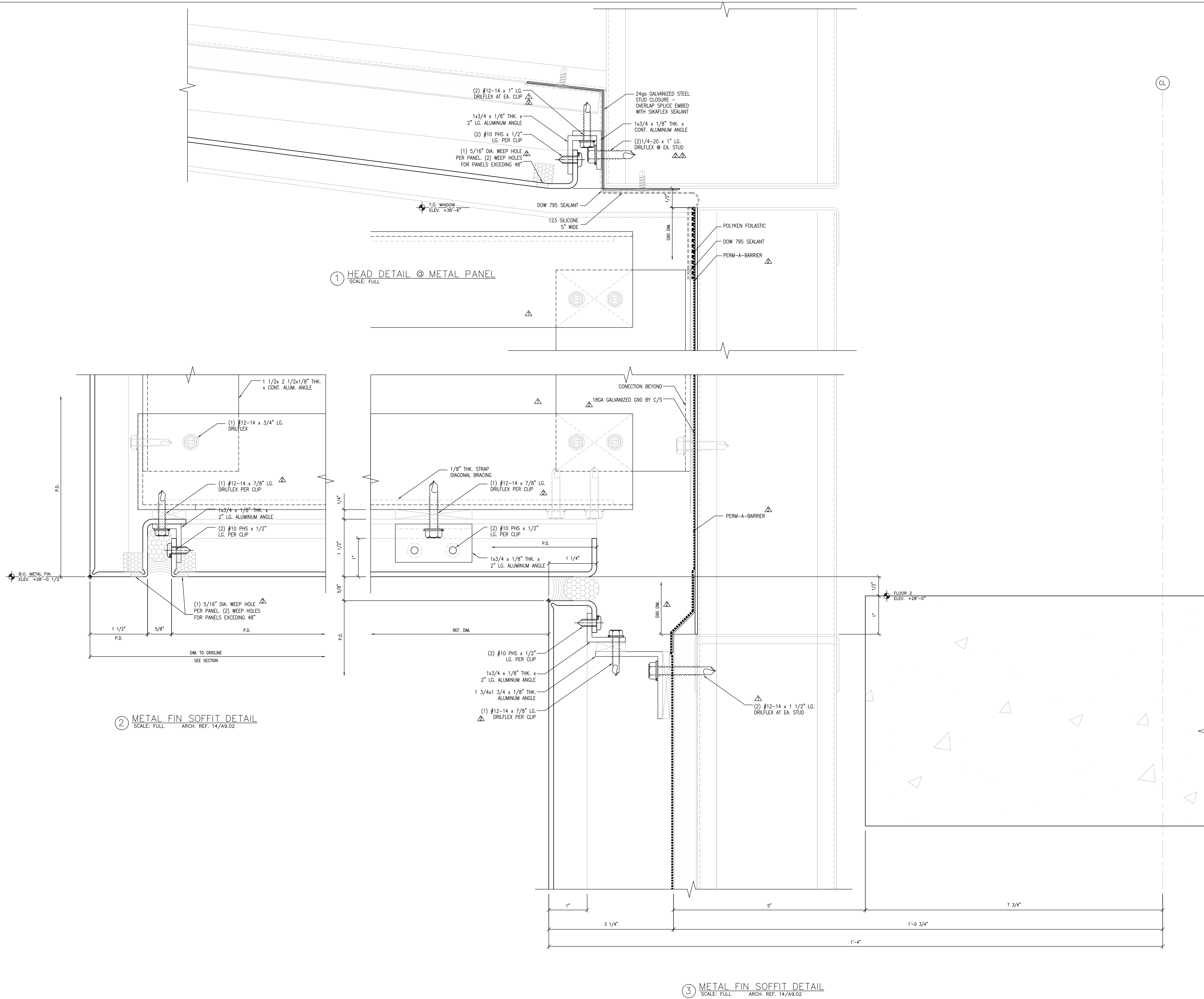


NO.	DATE	REVISION DESCRIPTION
5	10/15/10	AS BUILT
4	03-26-10	FOR RECORD
3	05-18-09	FOR CONSTRUCTION
2	03-18-09	SGH, ARCH, C/S REV.
1	10-09-08	PER DSA COMMENTS

COLLEGE OF SAN MATEO  
BUILDING 5N  
1700 WEST HILLSDALE BOULEVARD  
SAN MATEO, CA. 94402

C/S ERECTORS INC. DETAILER OF ARCHITECTURAL PANEL SYSTEMS  
License No. 07000  
2500 OLD CROFT CANYON RD. SUITE. 320  
SAN MATEO, CA 94403  
TEL: (925) 820-8113 FAX: (925) 820-8987

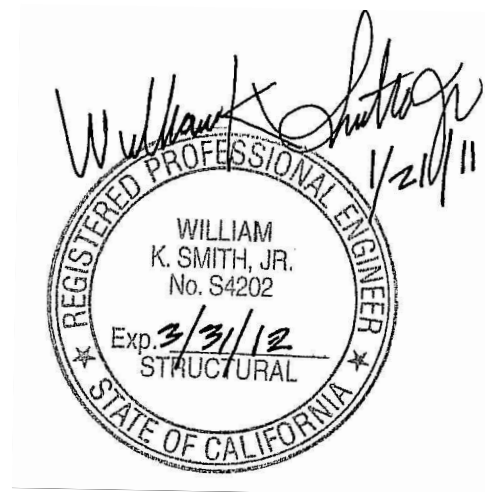
DATE: 05/30/08  
SCALE: FULL  
DRAWN BY: CDC  
JOB #: D01065  
SHEET #  
AC9.02B  
OF -- SHEETS



1 HEAD DETAIL @ METAL PANEL  
SCALE: FULL

2 METAL FIN SOFFIT DETAIL  
SCALE: FULL ARCH. REF. 14/A9.02

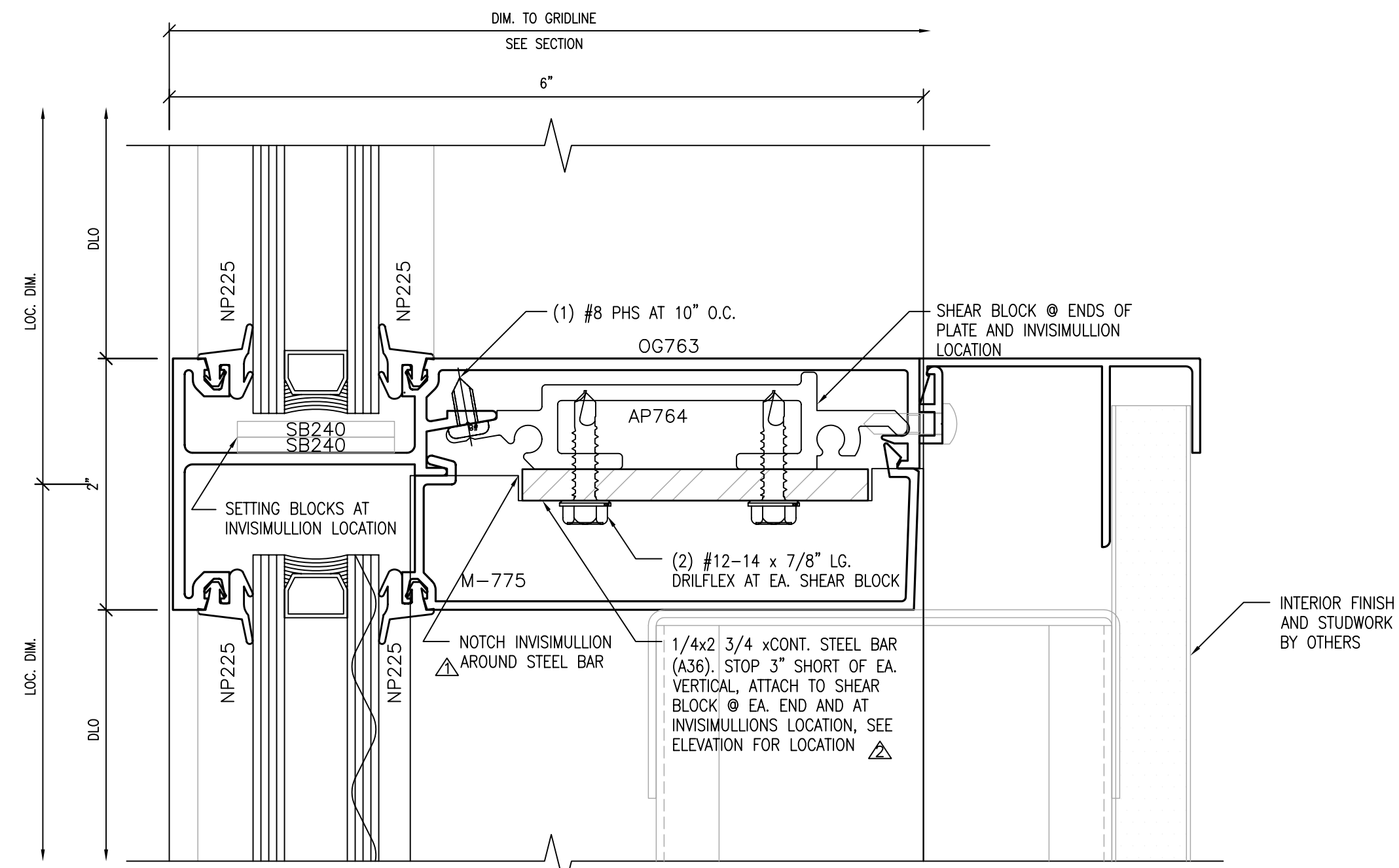
3 METAL FIN SOFFIT DETAIL  
SCALE: FULL ARCH. REF. 14/A9.02



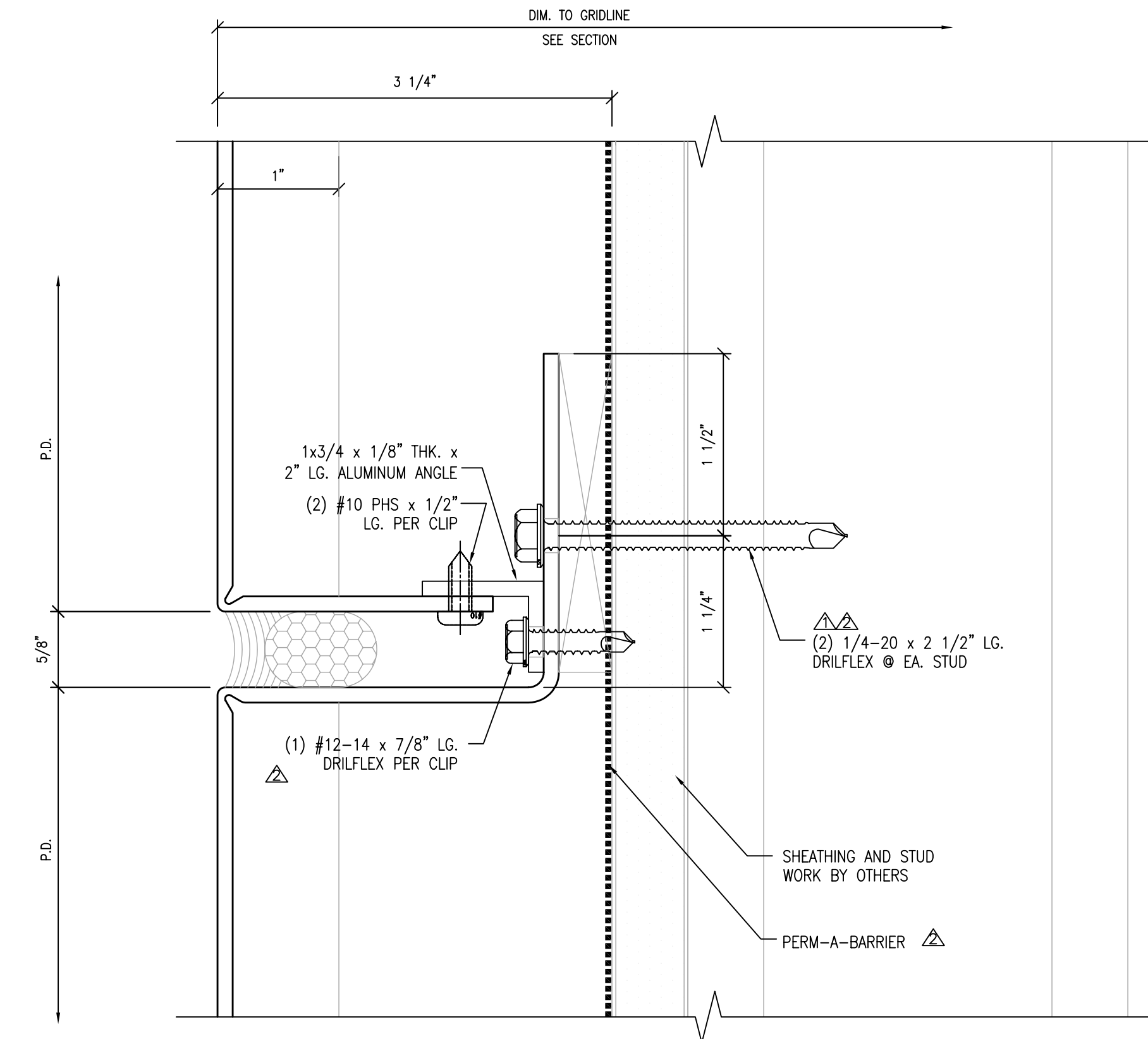
C/S ERECTORS INC. INSTALLER OF ARCHITECTURAL PANEL SYSTEMS	
License No. 076060	2500 OLD CROFT CANYON RD. SUITE. 320
	TEL: (925) 820-8113 FAX: (925) 820-6987
DATE: 05/30/08	SCALE: FULL
DRAWN BY: CDC	JOB # D01065
SHEET # AC9.02C	OF -- SHEETS

COLLEGE OF SAN MATEO  
BUILDING 5N  
1700 WEST HILLSDALE BOULEVARD  
SAN MATEO, CA. 94402

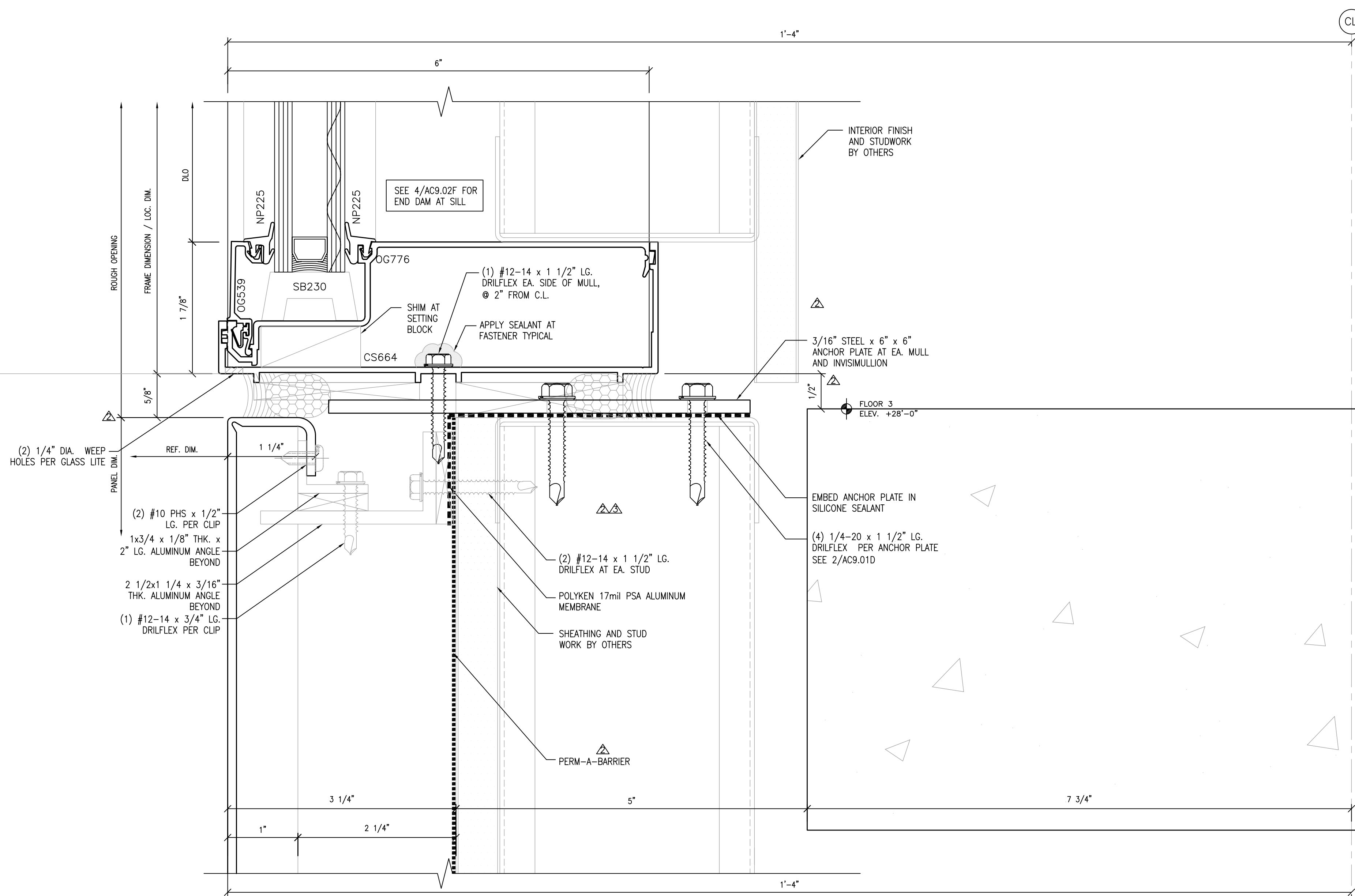
NO.	DATE	REVISION DESCRIPTION
5	10/15/10	AS BUILT
4	03-26-10	FOR RECORD
3	05-18-09	FOR CONSTRUCTION
2	03-18-09	SGH, ARCH, C/S REV.
1	10-09-08	PER DSA COMMENTS



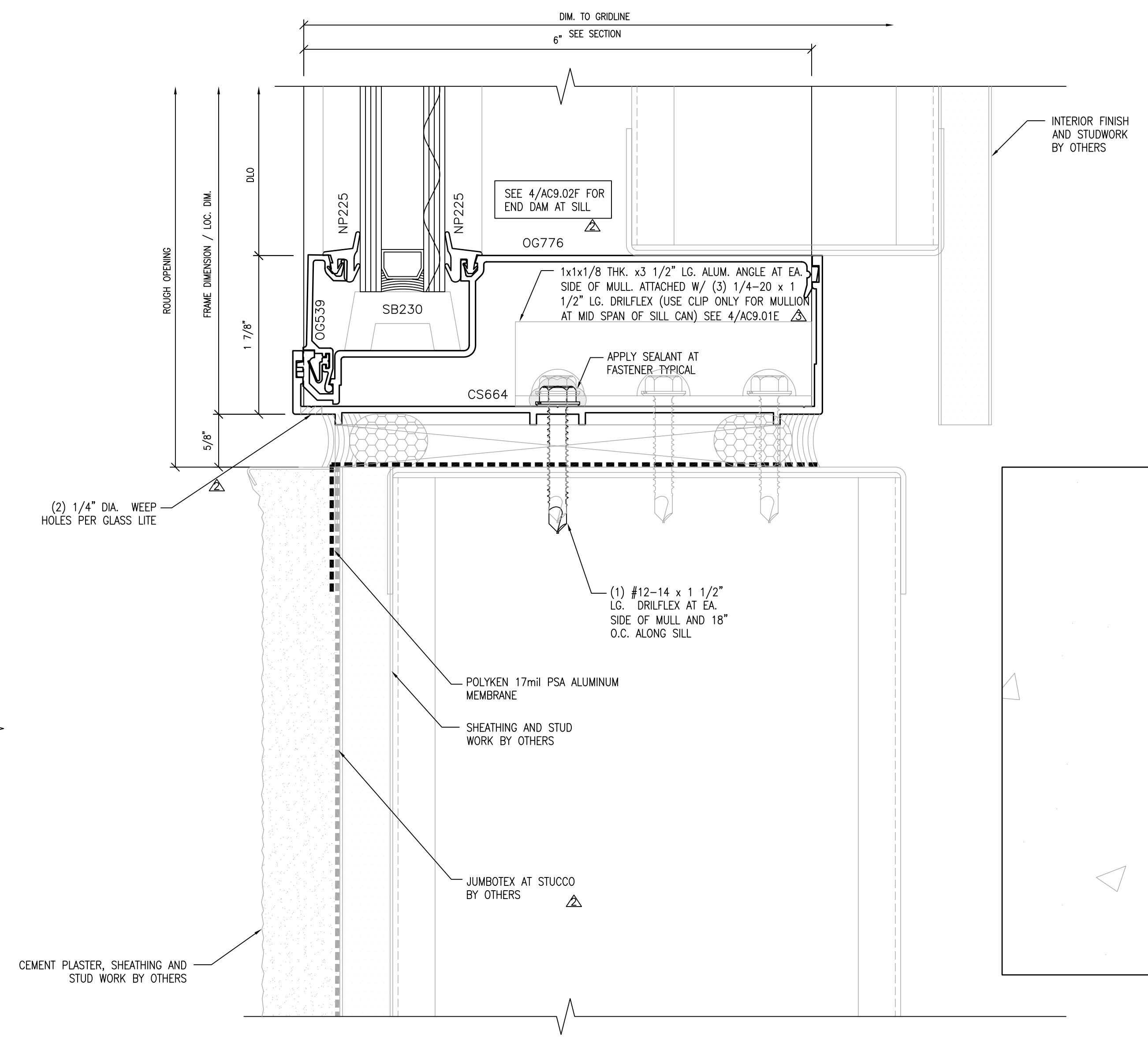
1 HORIZONTAL INTERMEDIATE AT SPANDEL  
SCALE: FULL ARCH. REF.: 2&10/A9.02



3 TYP. METAL PANEL JT.  
SCALE: FULL ARCH. REF.:



2 WINDOW SILL AT METAL PANEL  
SCALE: FULL ARCH. REF.: 2/A9.02



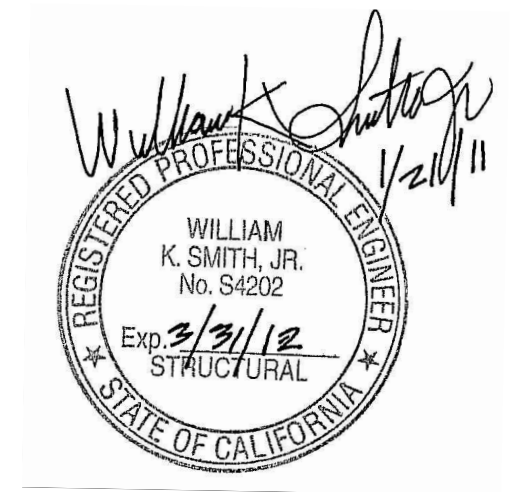
4 WINDOW SILL AT PLASTER  
SCALE: FULL ARCH. REF.:

NO.	DATE	REVISION DESCRIPTION
5	10/15/10	AS BUILT
4	03-26-10	FOR RECORD
3	05-18-09	FOR CONSTRUCTION
2	03-18-09	SGH, ARCH., C/S REV.
1	10-09-08	PER DSA COMMENTS

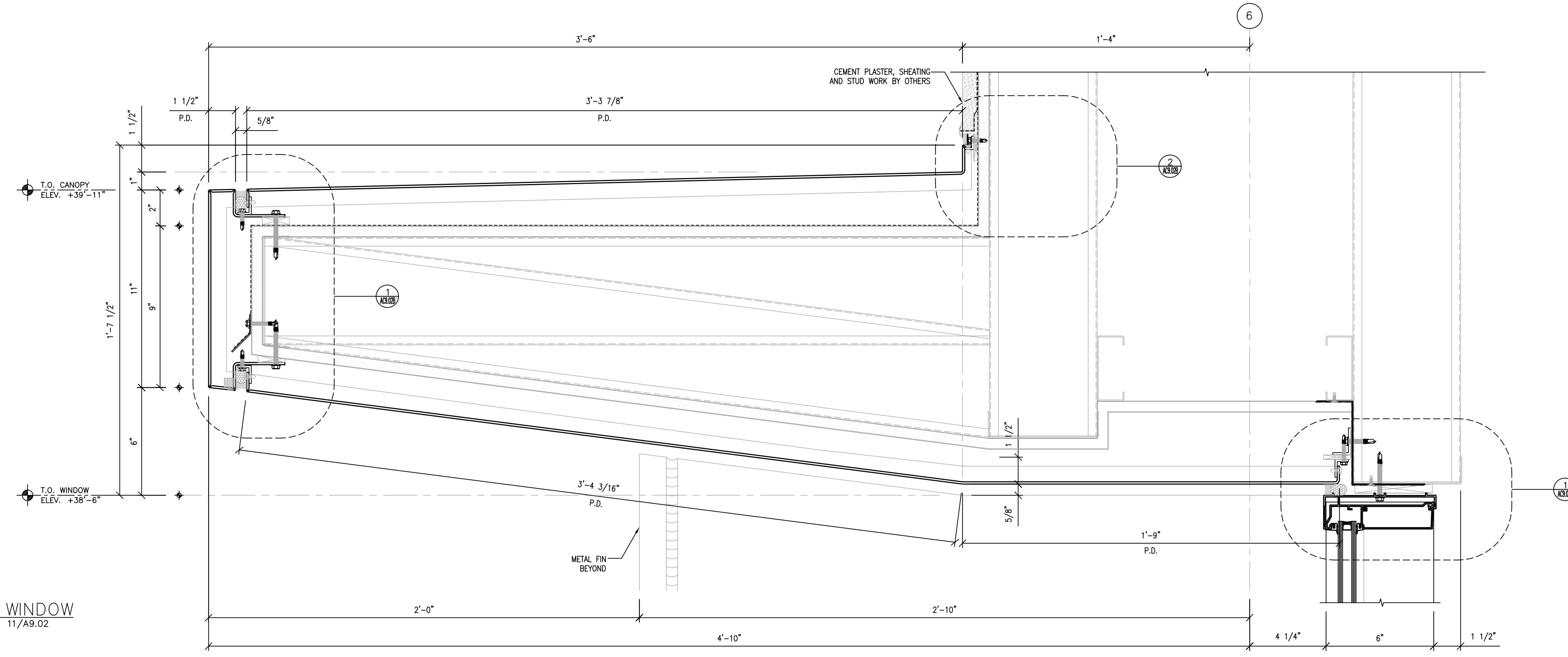
COLLEGE OF SAN MATEO  
BUILDING 5N  
1700 WEST HILLSDALE BOULEVARD  
SAN MATEO, CA. 94402

C/S ERECTORS INC. DIVISION OF ARCHITECTURAL PANEL SYSTEMS  
License No. 076060  
2500 OLD CROFT CANYON RD. SUITE. 320  
SAN MATEO, CA 94403  
TEL: (925) 830-8113 FAX: (925) 820-6987

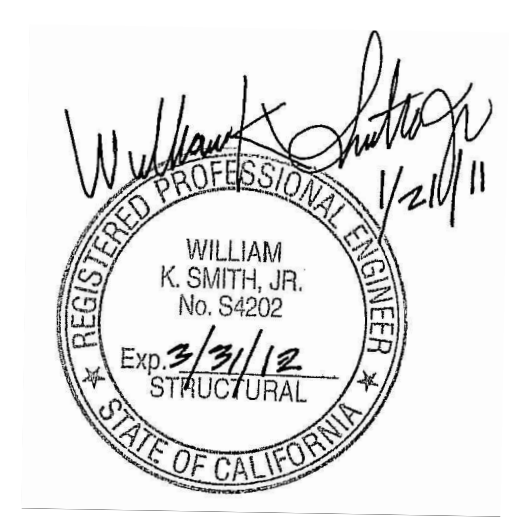
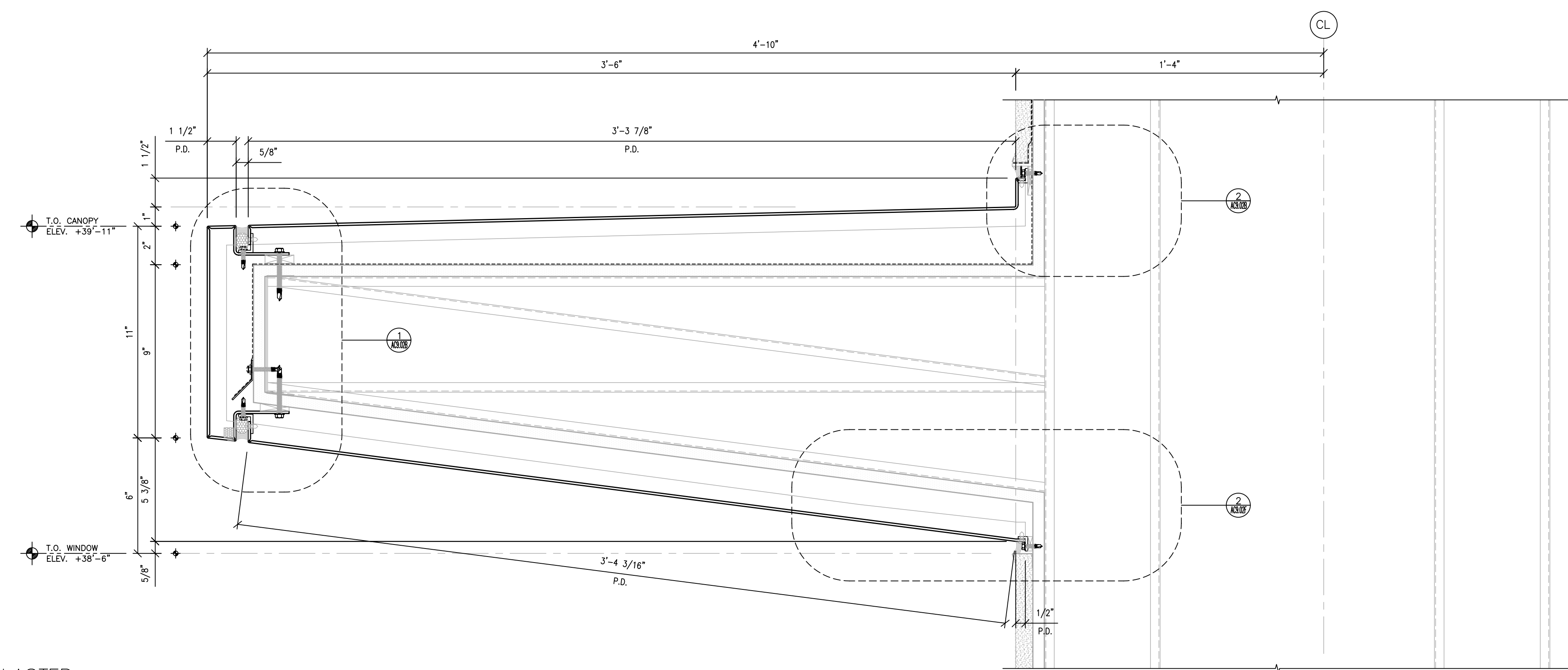
DATE: 05/30/08  
SCALE: FULL  
DRAWN BY: CDC  
JOB #: D01065  
SHEET #  
ACH9.02D  
OF -- SHEETS



① CANOPY DETAIL @ WINDOW  
 SCALE: 3" = 1'-0" ARCH. REF.: 11/A9.02



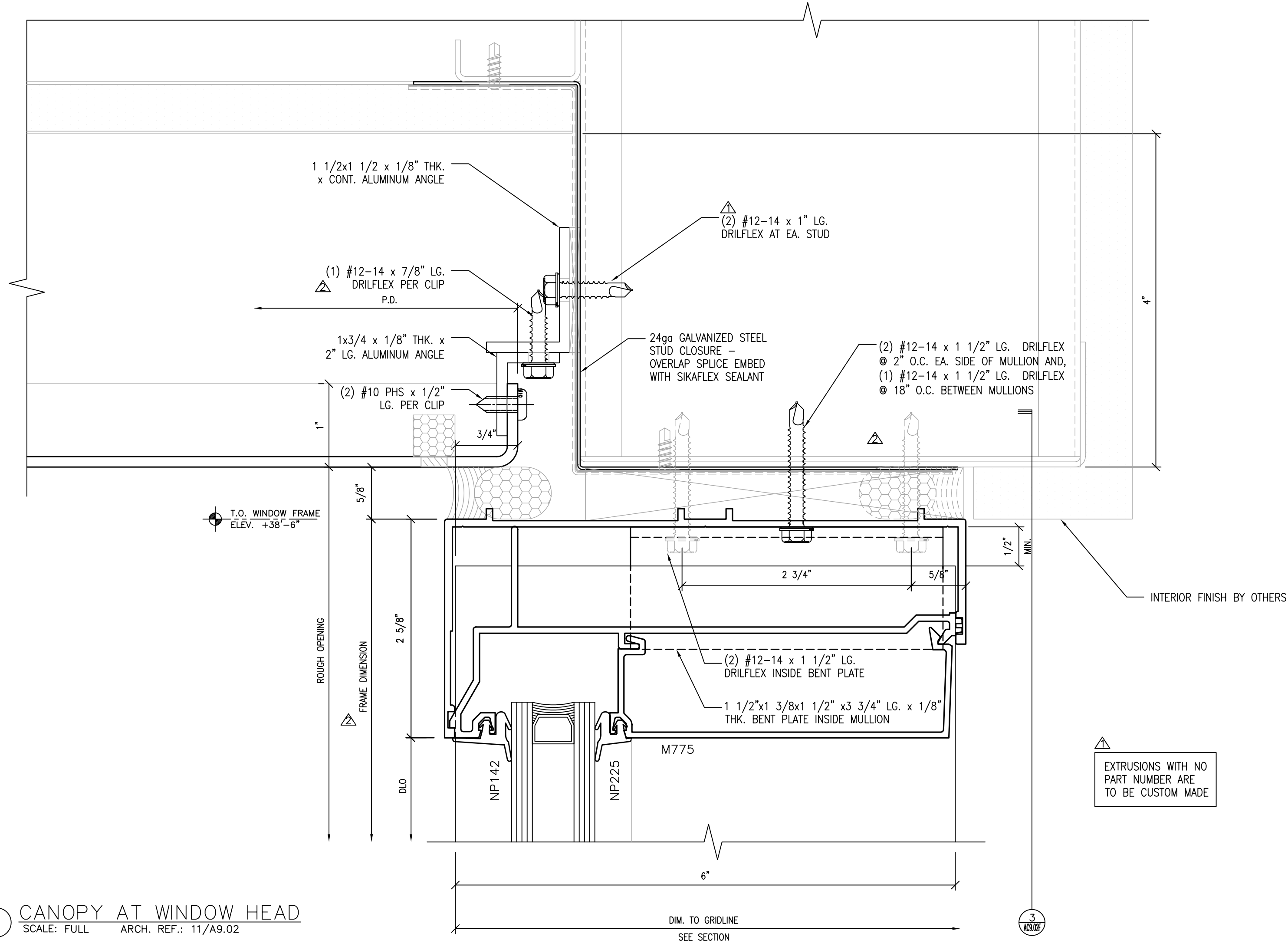
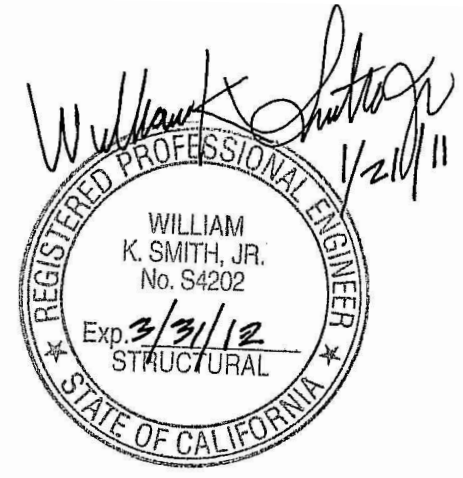
② CANOPY DETAIL @ PLASTER  
 SCALE: 3" = 1'-0" ARCH. REF.: 12/A9.02



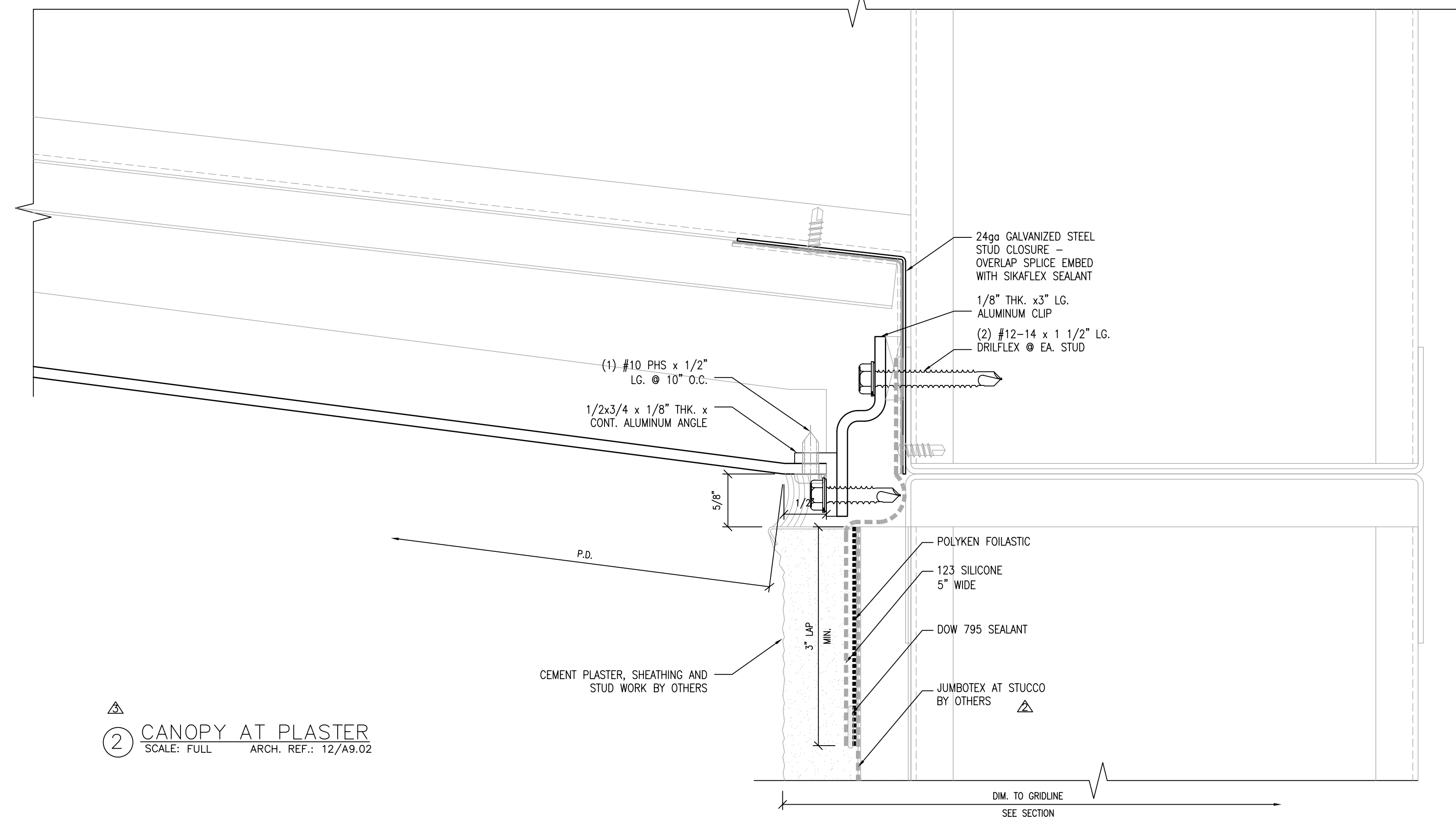
C/S ERECTORS INC. INSTALLER OF ARCHITECTURAL FRAME SYSTEMS <small>License No. 070006</small>	
2500 OLD CROFT CANYON RD. SUITE. 320 <small>TEL: (925) 820-8113 FAX: (925) 820-8987</small>	
DATE:	05/30/08
SCALE:	FULL
DRAWN BY:	CDC
JOB #	D01065
SHEET #	AC9.02E
OF	-- SHEETS

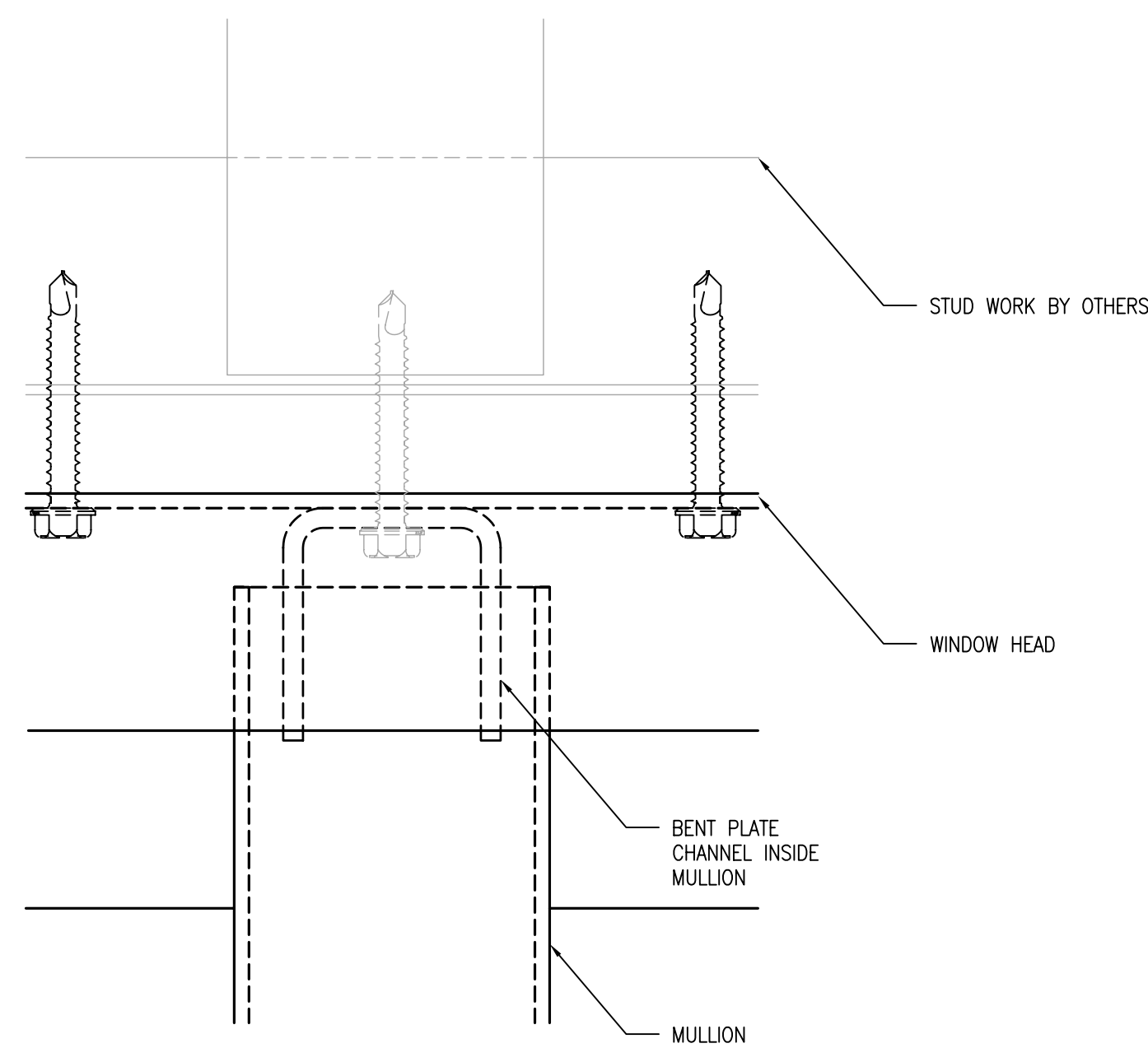
COLLEGE OF SAN MATEO BUILDING 5N 1700 WEST HILLSDALE BOULEVARD SAN MATEO, CA. 94402		
NO.	DATE	REVISION DESCRIPTION
2	10/15/10	AS BUILT
1	03-26-10	FOR RECORD



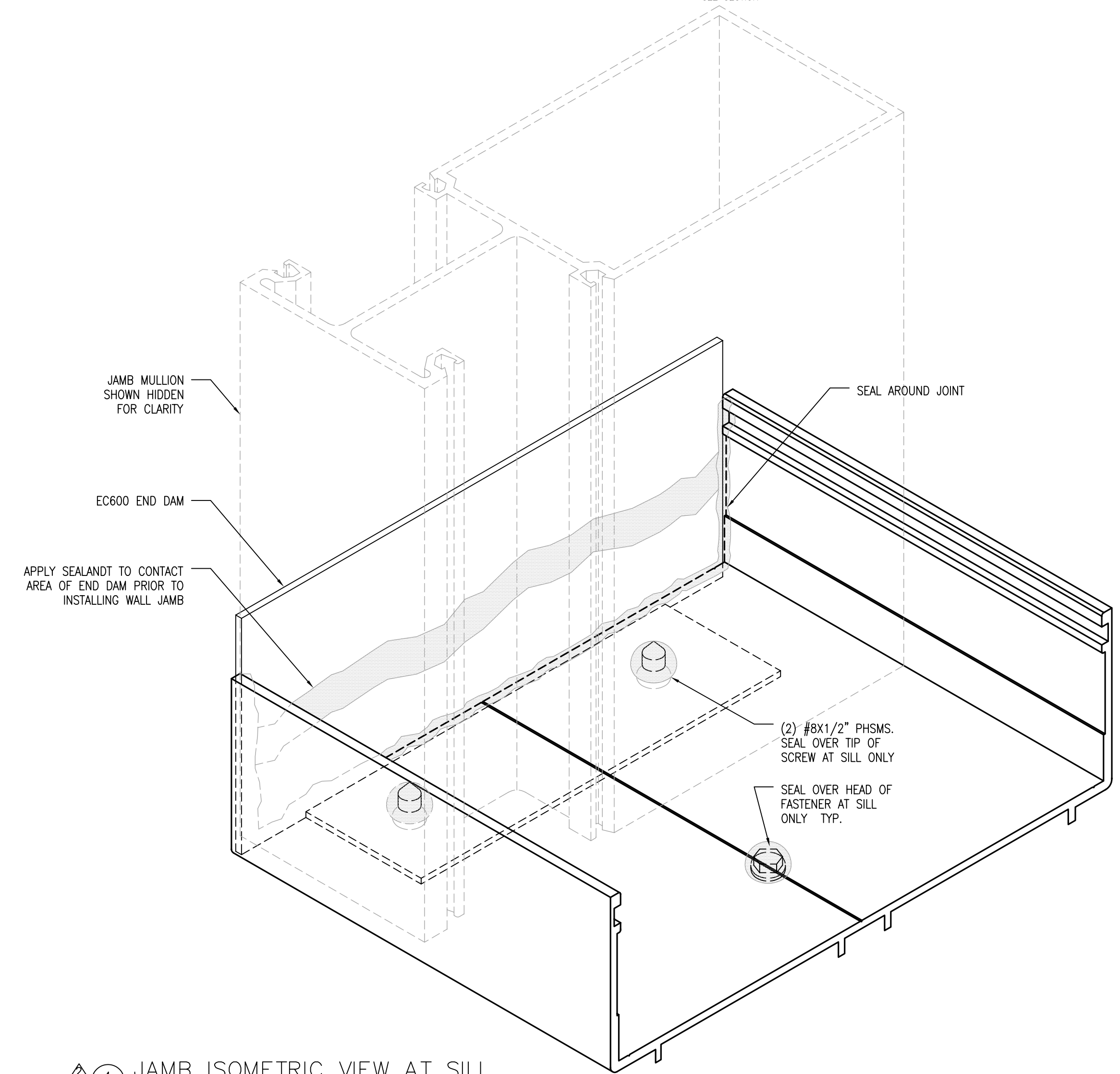
1 CANOPY AT WINDOW HEAD  
SCALE: FULL ARCH. REF.: 11/7/09.02



2 CANOPY AT PLASTER  
SCALE: FULL ARCH. REF.: 12/7/09.02



3 BACK SIDE OF WINDOW HEAD  
SCALE: FULL ARCH. REF.:



4 JAMB ISOMETRIC VIEW AT SILL  
SCALE: FULL ARCH. REF.:

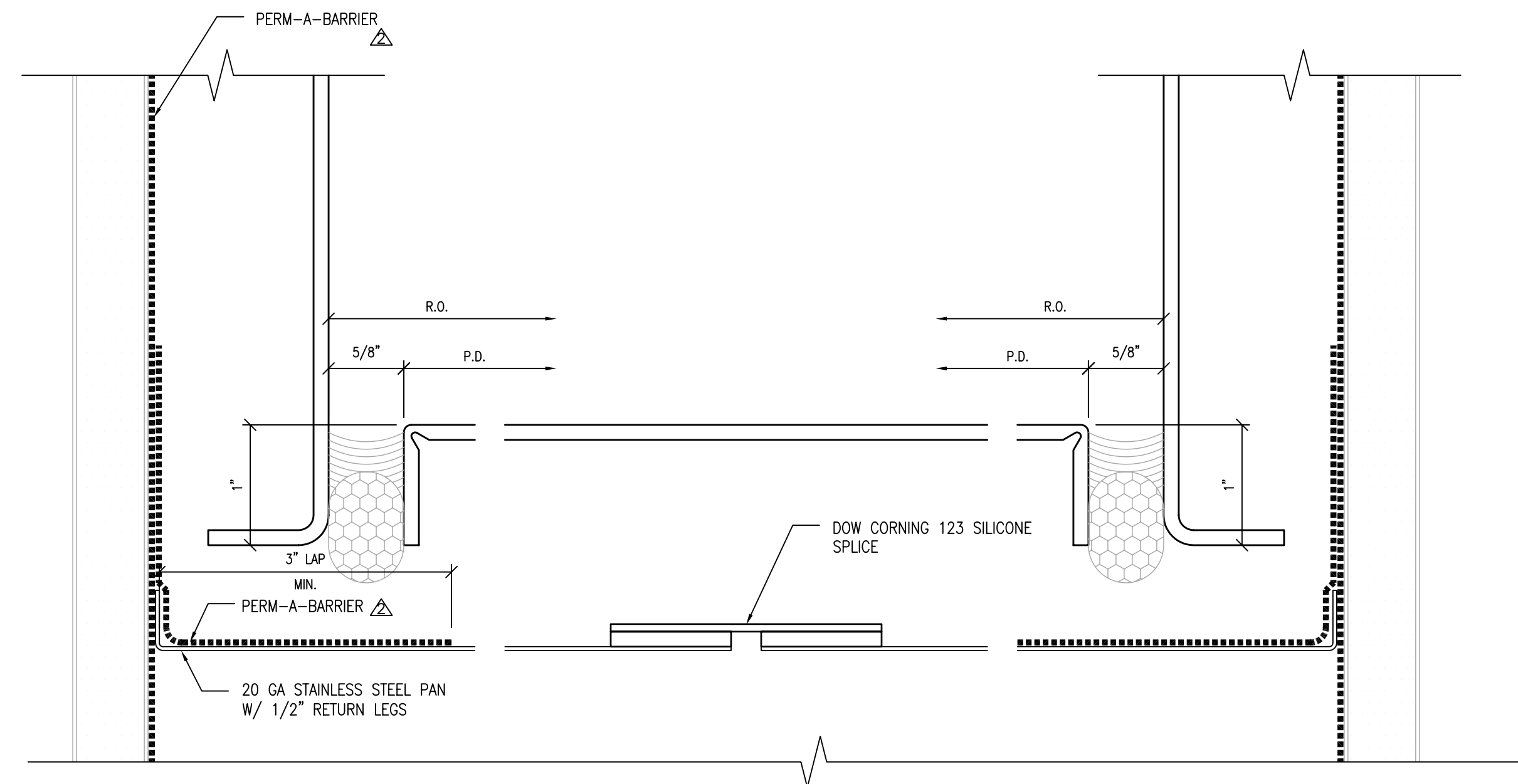
NO.	DATE	REVISION DESCRIPTION
5	10/15/10	AS BUILT
4	03-26-10	FOR RECORD
3	05-18-09	FOR CONSTRUCTION
2	03-18-09	SGH, ARCH, C/S REV.
1	10-09-08	PER DSA COMMENTS

**COLLEGE OF SAN MATEO**  
**BUILDING 5N**  
 1700 WEST HILLSDALE BOULEVARD  
 SAN MATEO, CA. 94402

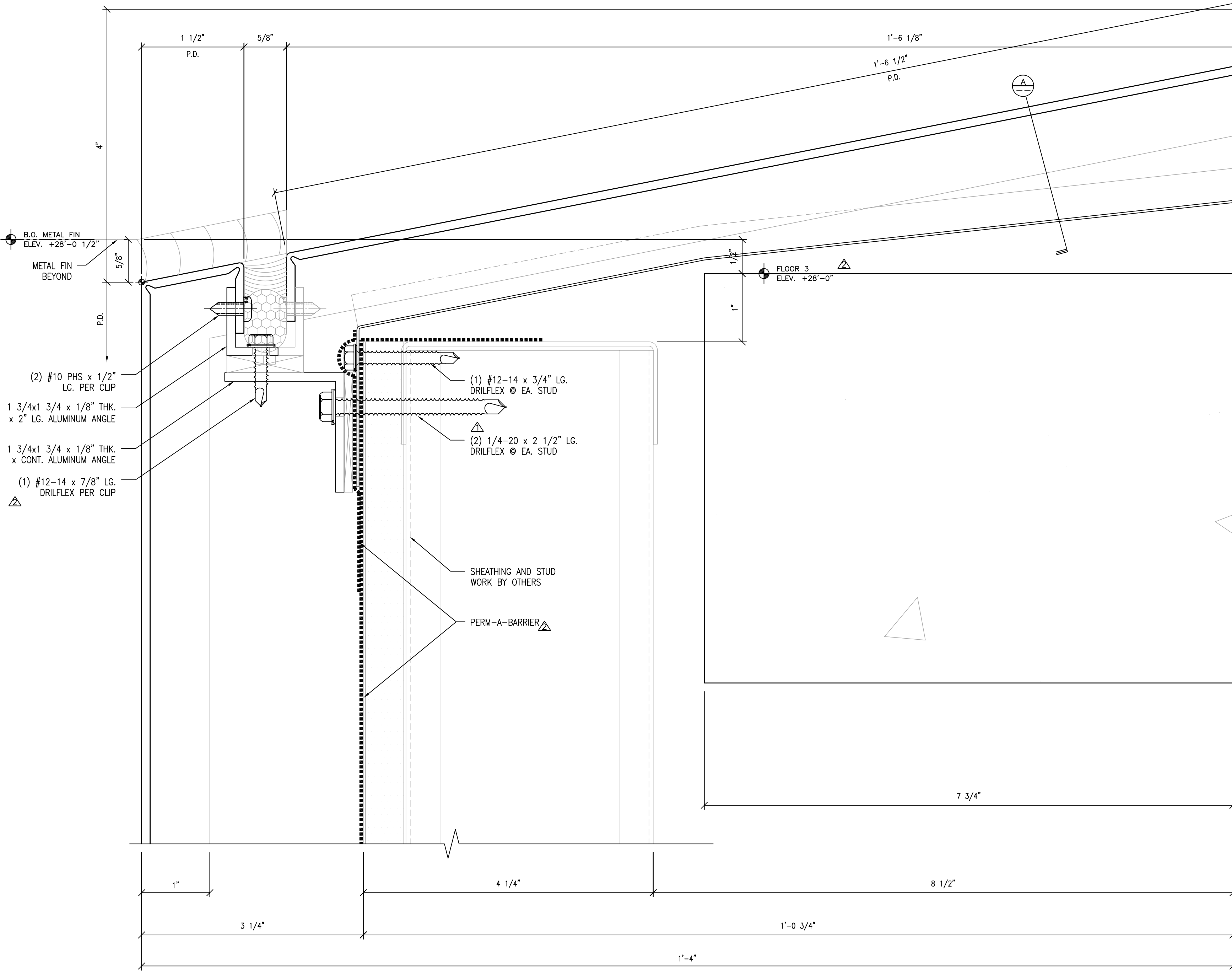
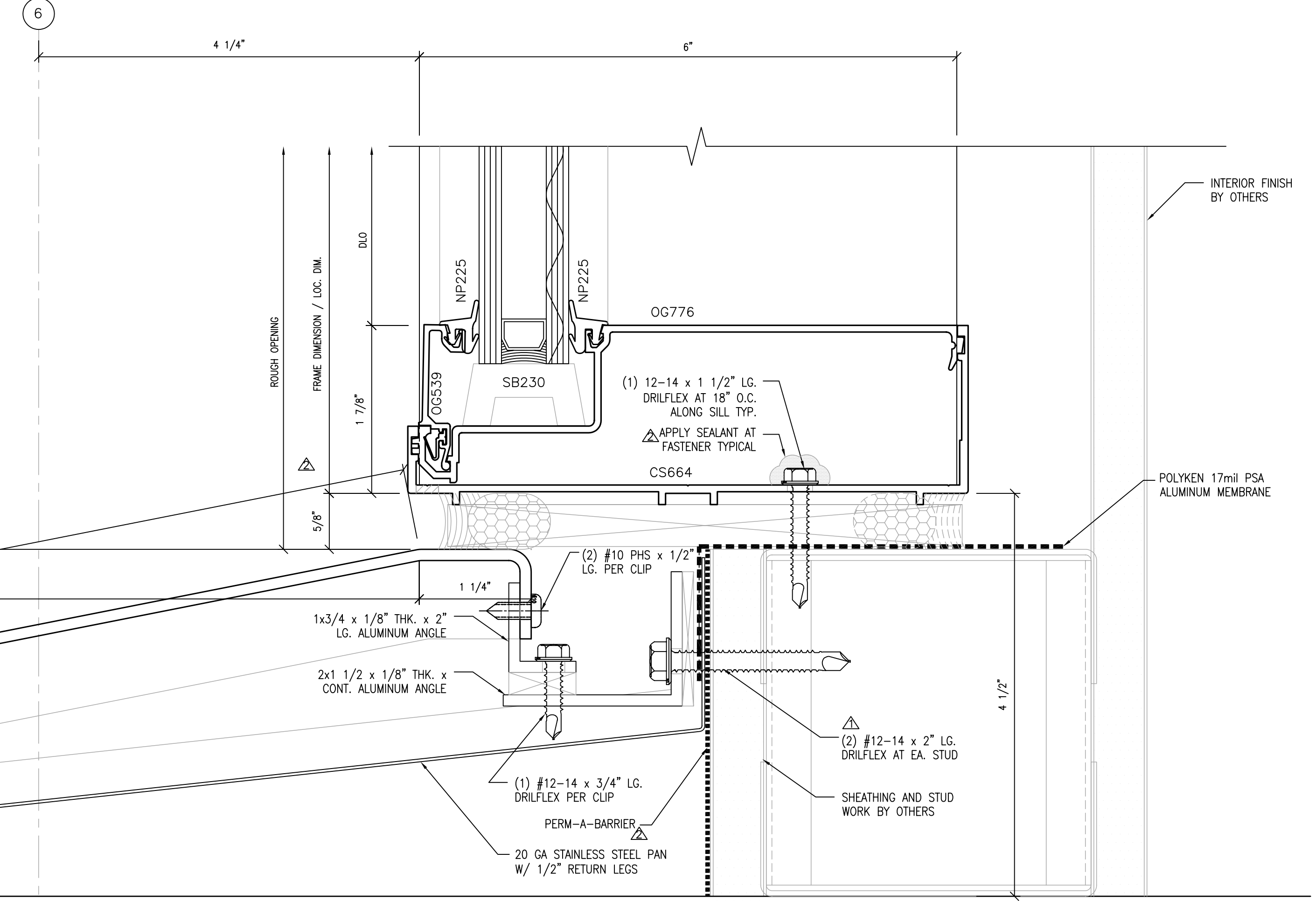
**C/S ERECTORS INC.** INSTALLER OF ARCHITECTURAL FRAME SYSTEMS  
 License No. 076006  
 2500 OLD CANYON RD., SUITE. 320  
 SAN MATEO, CA 94403  
 TEL: (925) 820-8113 FAX: (925) 820-6987

DATE: 05/30/08  
 SCALE: FULL  
 DRAWN BY: CDC  
 JOB #: D01065

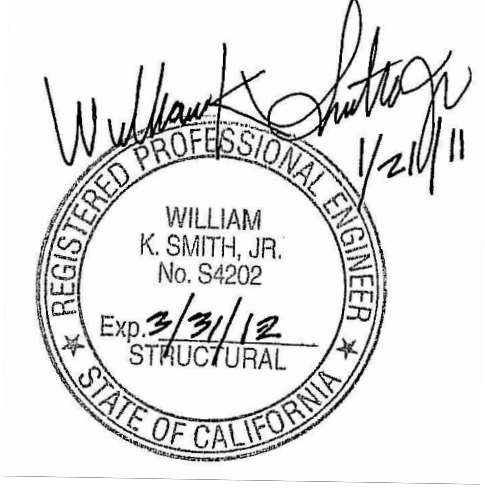
SHEET #  
**AC9.02F**  
 OF -- SHEETS



(A) SILL DETAIL  
SCALE: FULL ARCH. REF.:



(1) SILL @ 3RD. FLOOR RECESSED WIN.  
SCALE: FULL ARCH. REF.: 10/A9.02

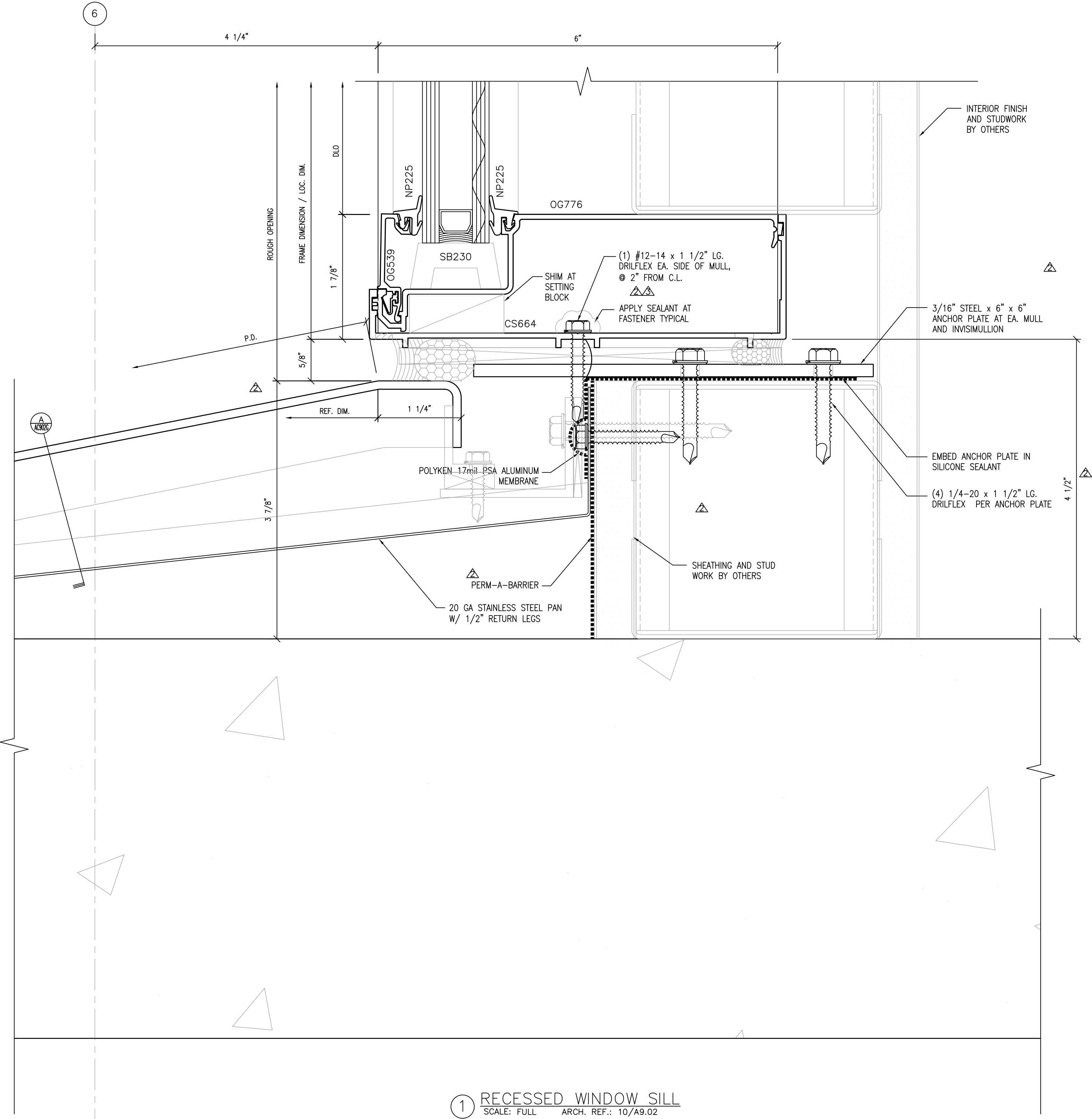


NO.	DATE	REVISION DESCRIPTION
4	10/15/10	AS BUILT
3	03-26-10	FOR RECORD
2	03-18-09	SGH, ARCH, C/S REV.
1	10-09-08	PER DSA COMMENTS

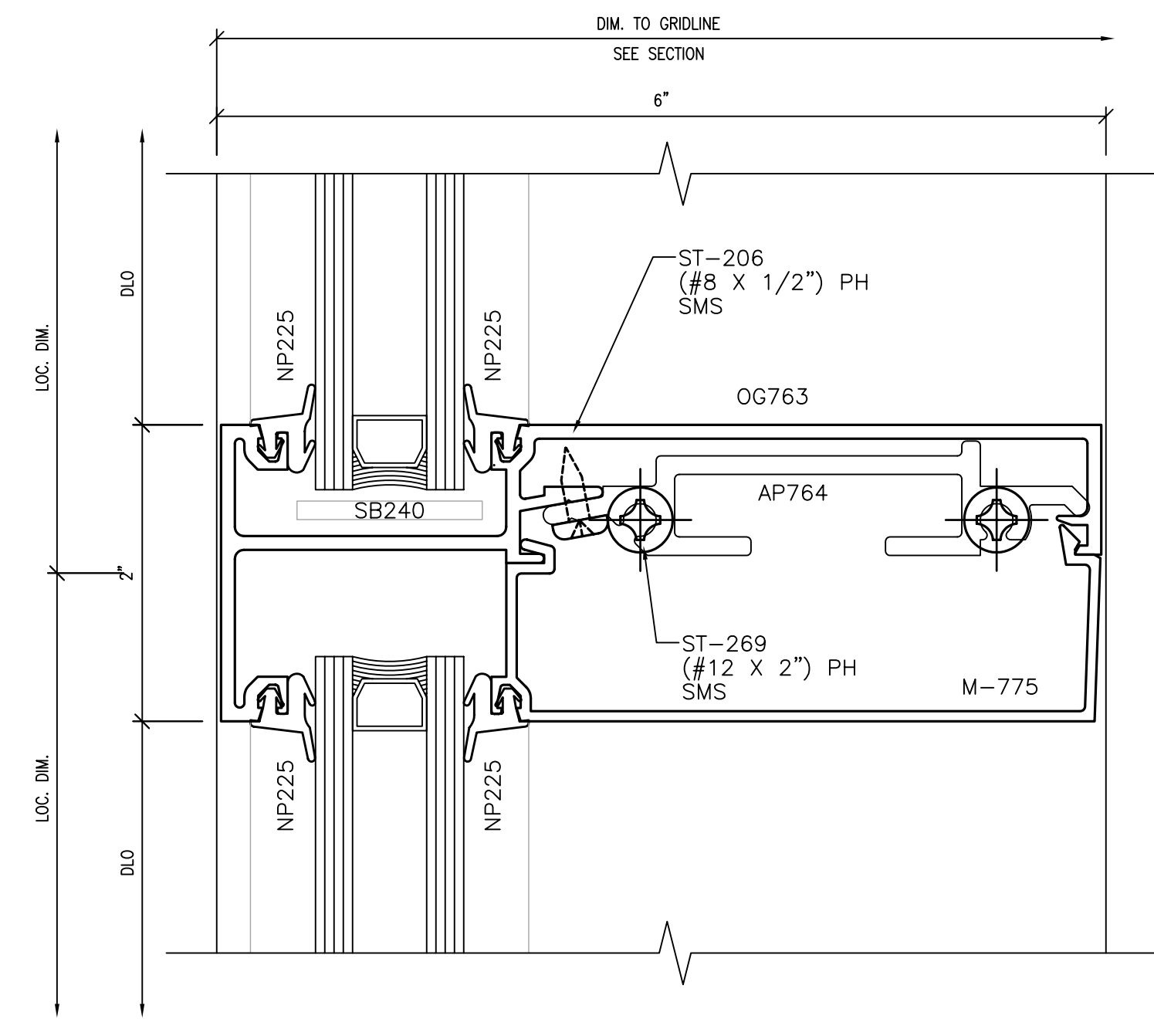
COLLEGE OF SAN MATEO  
BUILDING 5N  
1700 WEST HILLSDALE BOULEVARD  
SAN MATEO, CA. 94402

C/S ERECTORS INC. DIVISION OF ARCHITECTURAL FRAME SYSTEMS  
License No. 076060  
2500 OLD CROFT CANYON RD. SUITE. 320  
SAN MATEO, CA 94403  
TEL: (925) 830-6113 FAX: (925) 820-6987

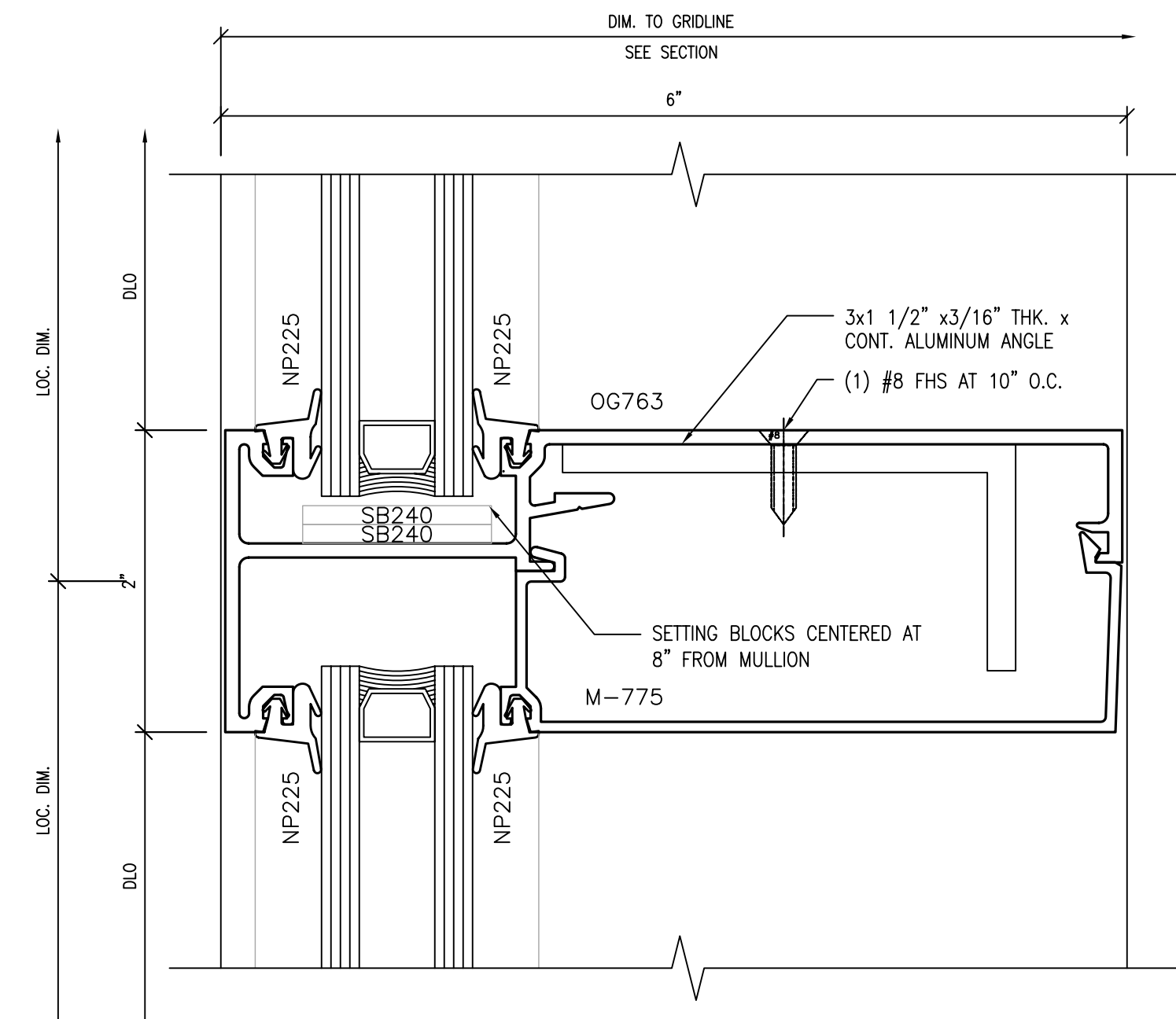
DATE: 05/30/08  
SCALE: FULL  
DRAWN BY: CDC  
JOB #: D01065  
SHEET #  
ACH9.02G  
OF -- SHEETS



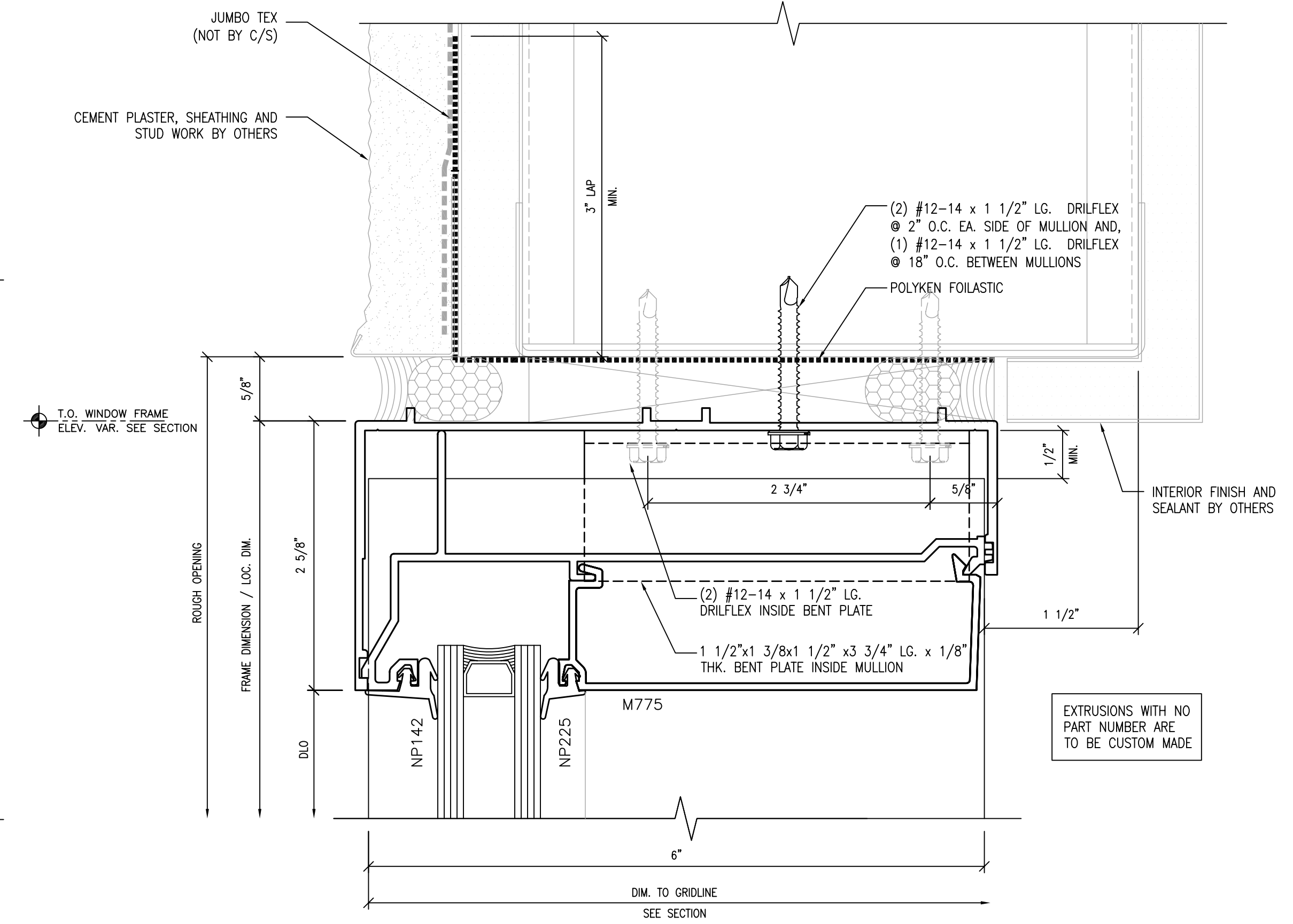
1 RECESSED WINDOW SILL  
SCALE: FULL ARCH. REF.: 10/A9.02



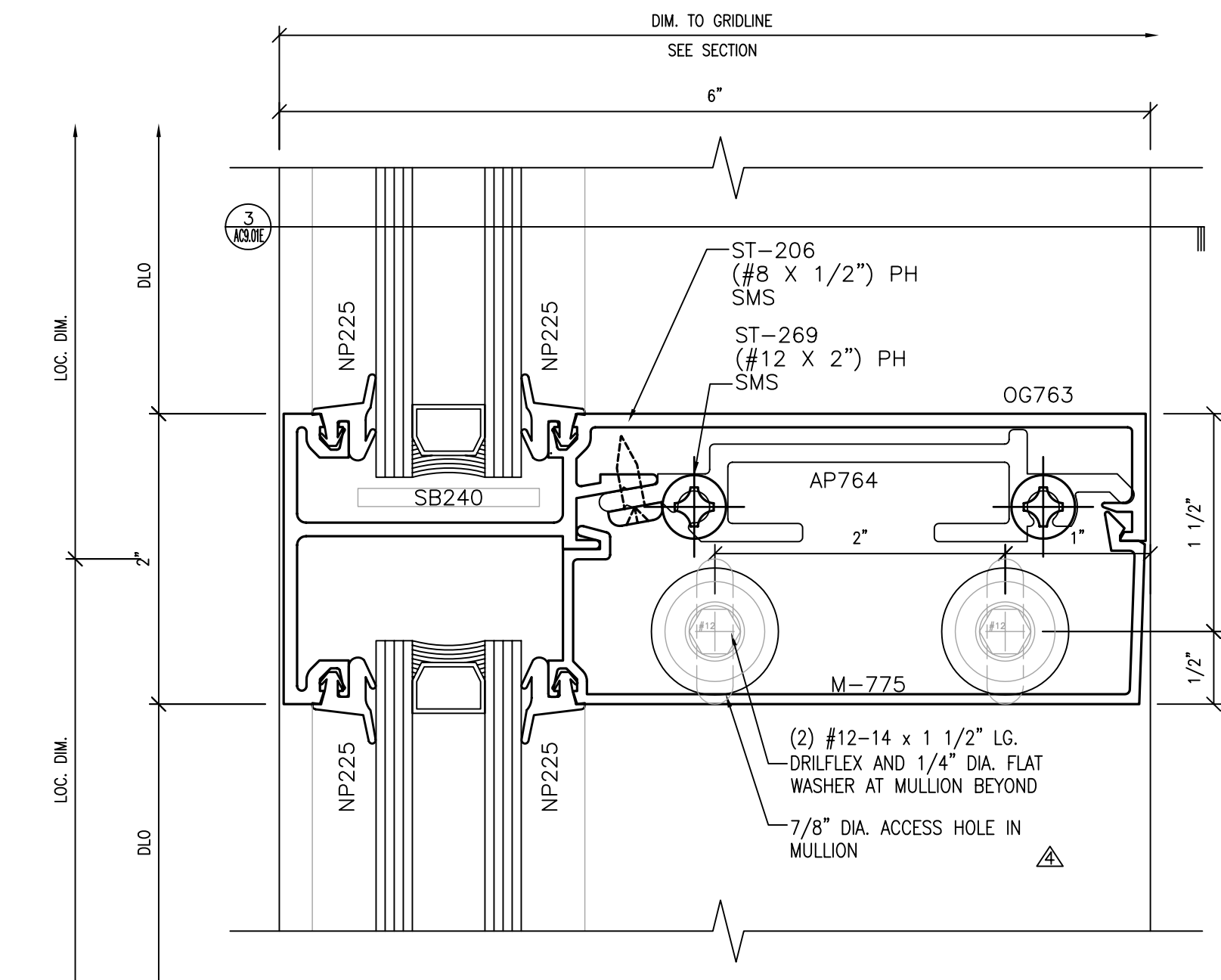
2 TYP. HORIZONTAL INTERMEDIATE  
SCALE: FULL ARCH. REF.: 2/A9.02



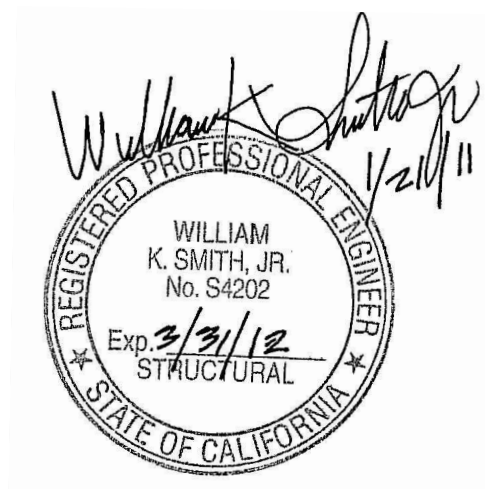
3 HORIZONTAL BELOW ROOF LEVEL  
SCALE: FULL ARCH. REF.: 2/A9.02



4 HEAD DETAIL @ PLASTER  
SCALE: FULL ARCH. REF.: 2/A9.02



5 TYP. HORIZONTAL INTERMEDIATE AT JAMB CONNECTION  
SCALE: FULL ARCH. REF.: 2/A9.02



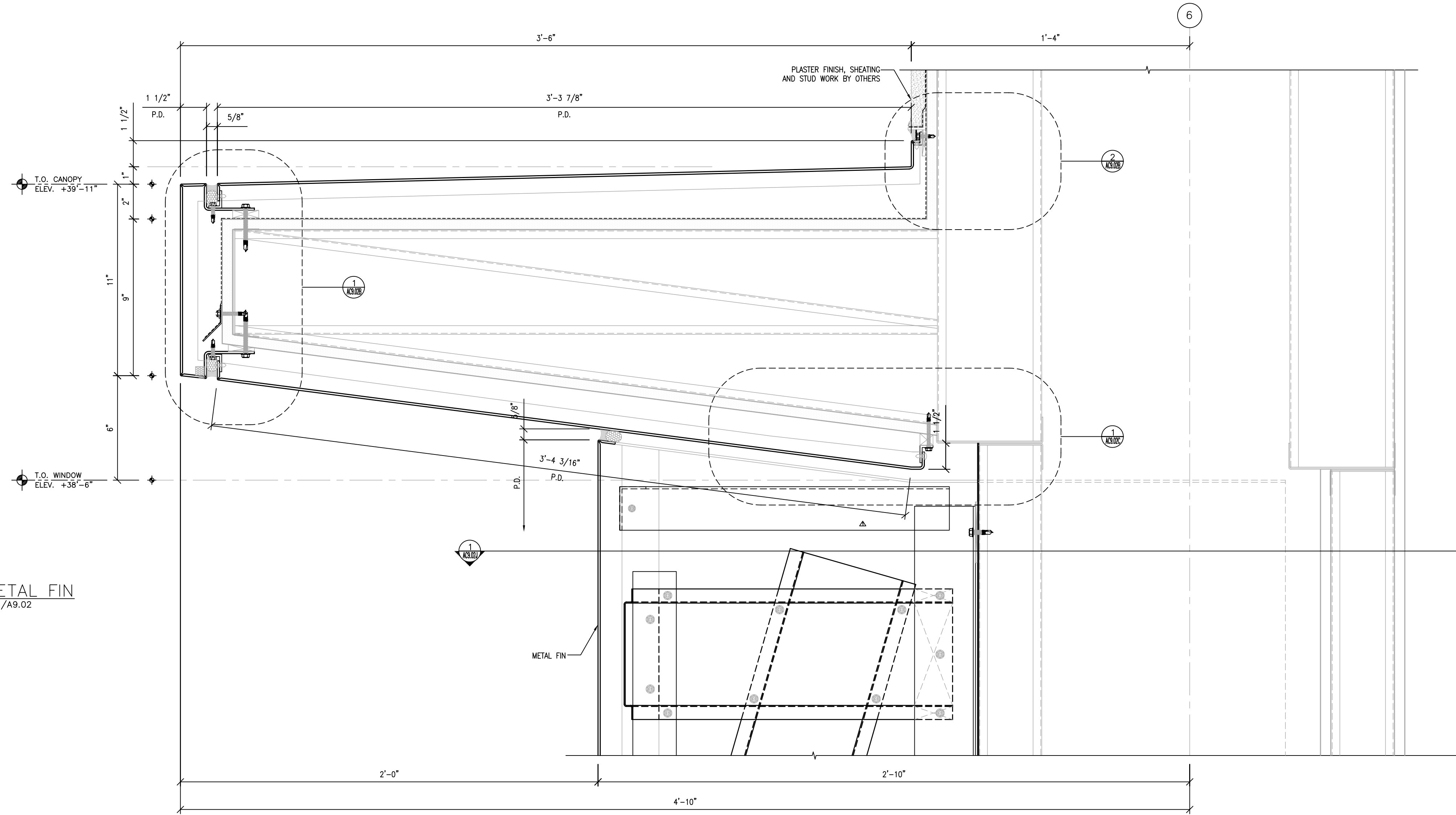
NO.	DATE	REVISION DESCRIPTION
6	10/15/10	AS BUILT
5	03-26-10	FOR RECORD
4	10-07-09	TALL WINDOW REVISION
3	05-18-09	FOR CONSTRUCTION
2	03-18-09	SGH, ARCH., C/S REV.
-	-	-

**COLLEGE OF SAN MATEO**  
**BUILDING 5N**  
 1700 WEST HILLSDALE BOULEVARD  
 SAN MATEO, CA. 94402

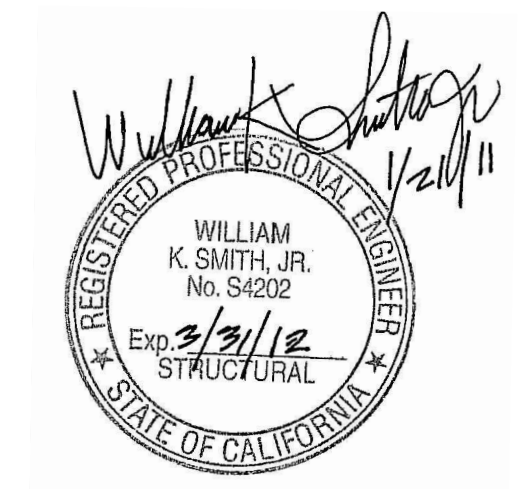
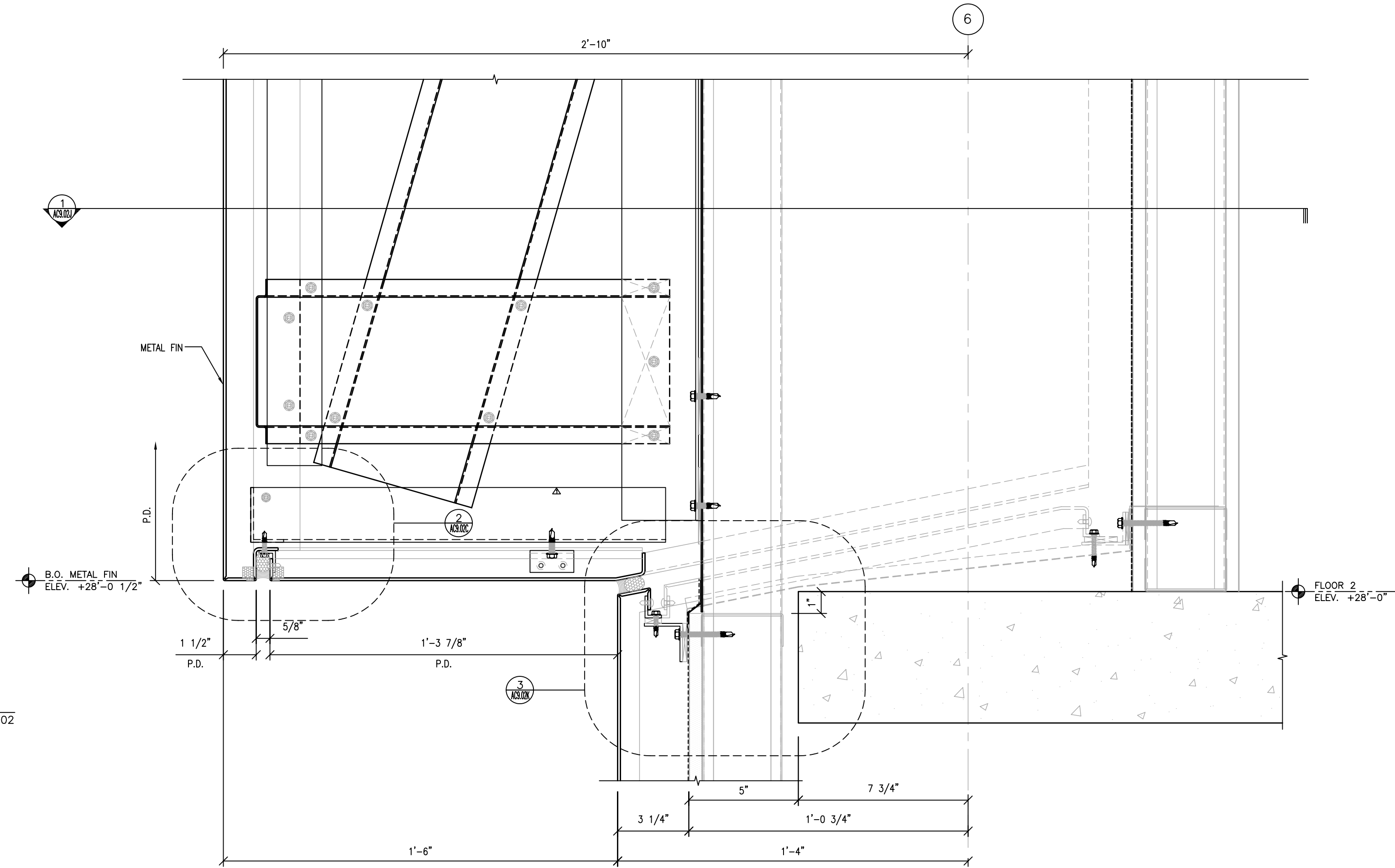
**C/S ERECTORS INC.** DIVISION OF ARCHITECTURAL FRAME SYSTEMS  
 License No. 076000  
 2500 OLD CROFT CANYON RD., SUITE. 320  
 SAN MATEO, CA 94403  
 TEL: (925) 830-8113 FAX: (925) 820-6987

DATE: 05/30/08  
 SCALE: FULL  
 DRAWN BY: CDC  
 JOB #: D01034  
 SHEET #  
**AC9.02H**  
 OF -- SHEETS

1 CANOPY DETAIL @ METAL FIN  
 SCALE: 3" = 1'-0" ARCH. REF.: 15/A9.02

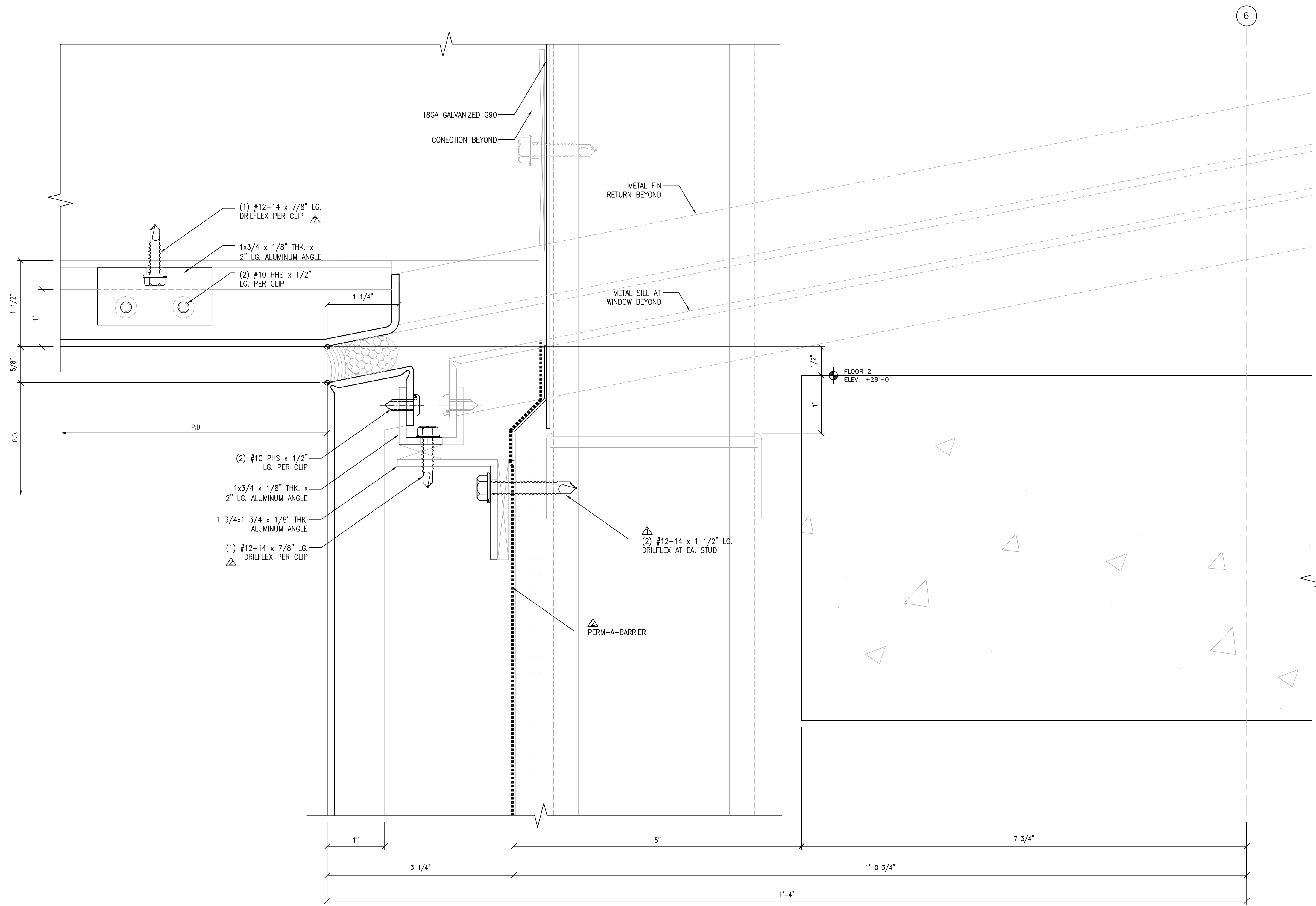


2 METAL FIN SOFFIT  
 SCALE: 3" = 1'-0" ARCH. REF.: 14/A9.02

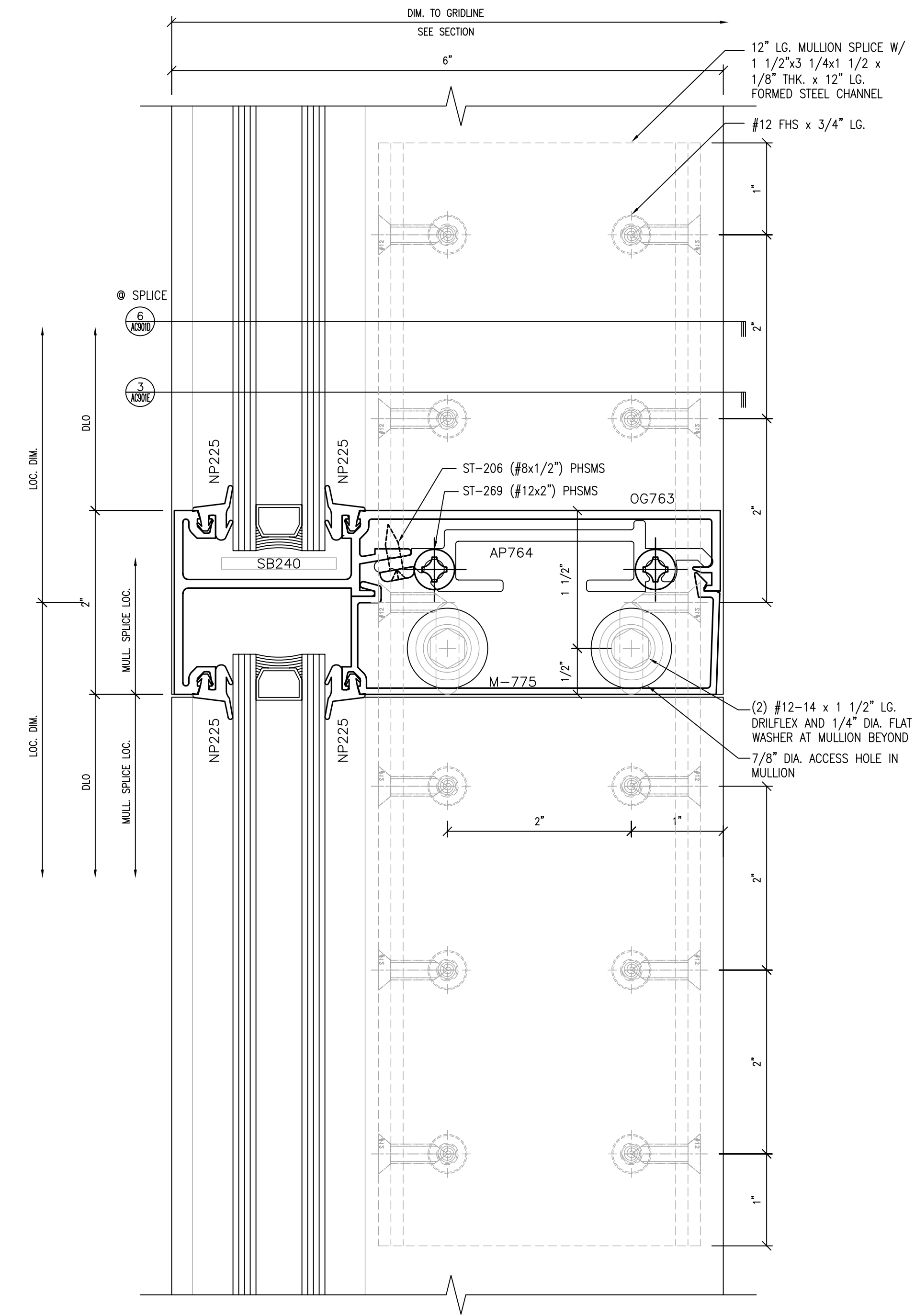


C/S ERECTORS INC. INSTALLER OF ARCHITECTURAL FRAME SYSTEMS	
License No. 076066	DATE: 05/30/08
2500 OLD CROY CANYON RD. SUITE. 320 DUBLIN, CA 94568 TEL: (925) 830-8113 FAX: (925) 820-6987	SCALE: FULL
COLLEGE OF SAN MATEO BUILDING 5N 1700 WEST HILLSDALE BOULEVARD SAN MATEO, CA. 94402	DRAWN BY: CDC
4 10/15/10 AS BUILT	JOB # D01065
3 03-26-10 FOR RECORD	SHEET #
2 03-18-09 SGH, ARCH, C/S REV.	ACH9.02J
1 10-09-08 PER DSA COMMENTS	OF -- SHEETS
NO. DATE	REVISION DESCRIPTION

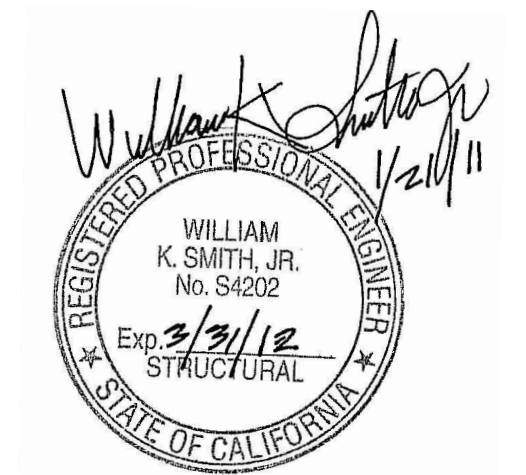




① METAL FIN SOFFIT DETAIL  
SCALE: FULL ARCH. REF. 14/A9.02



② TYP. JAMB CONNECTION AT SPLICE  
SCALE: FULL ARCH. REF.:



NO.	DATE	REVISION DESCRIPTION
5	10/15/10	AS BUILT
4	03-26-10	FOR RECORD
3	10-07-09	TALL WINDOW REVISION
2	03-18-09	SGH, ARCH, C/S REV.
1	10-09-08	PER DSA COMMENTS

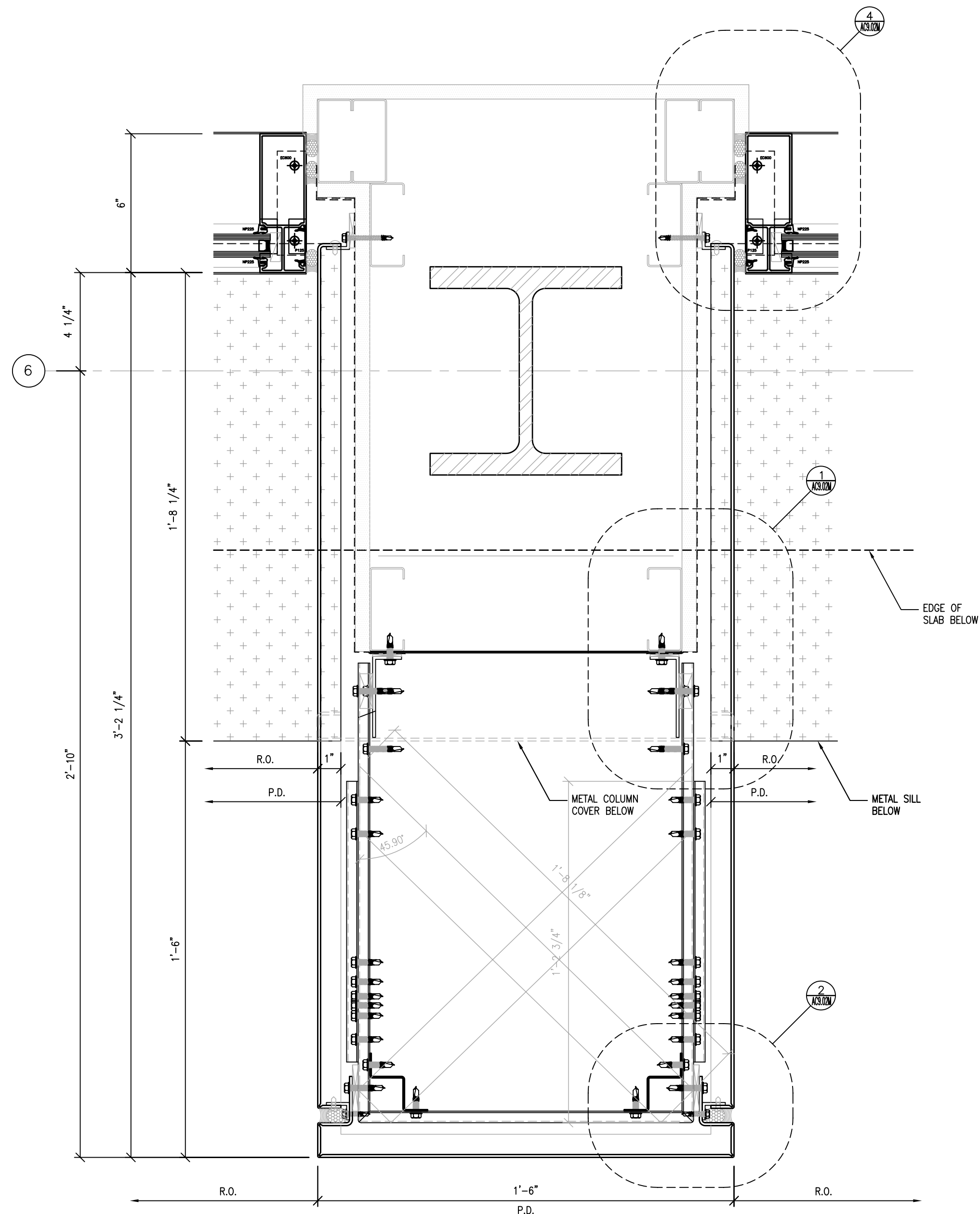
COLLEGE OF SAN MATEO  
BUILDING 5N  
1700 WEST HILLSDALE BOULEVARD  
SAN MATEO, CA. 94402

C/S Erectors Inc. DIVISOR OF ARCHITECTURAL FRAME SYSTEMS  
License No. 076060

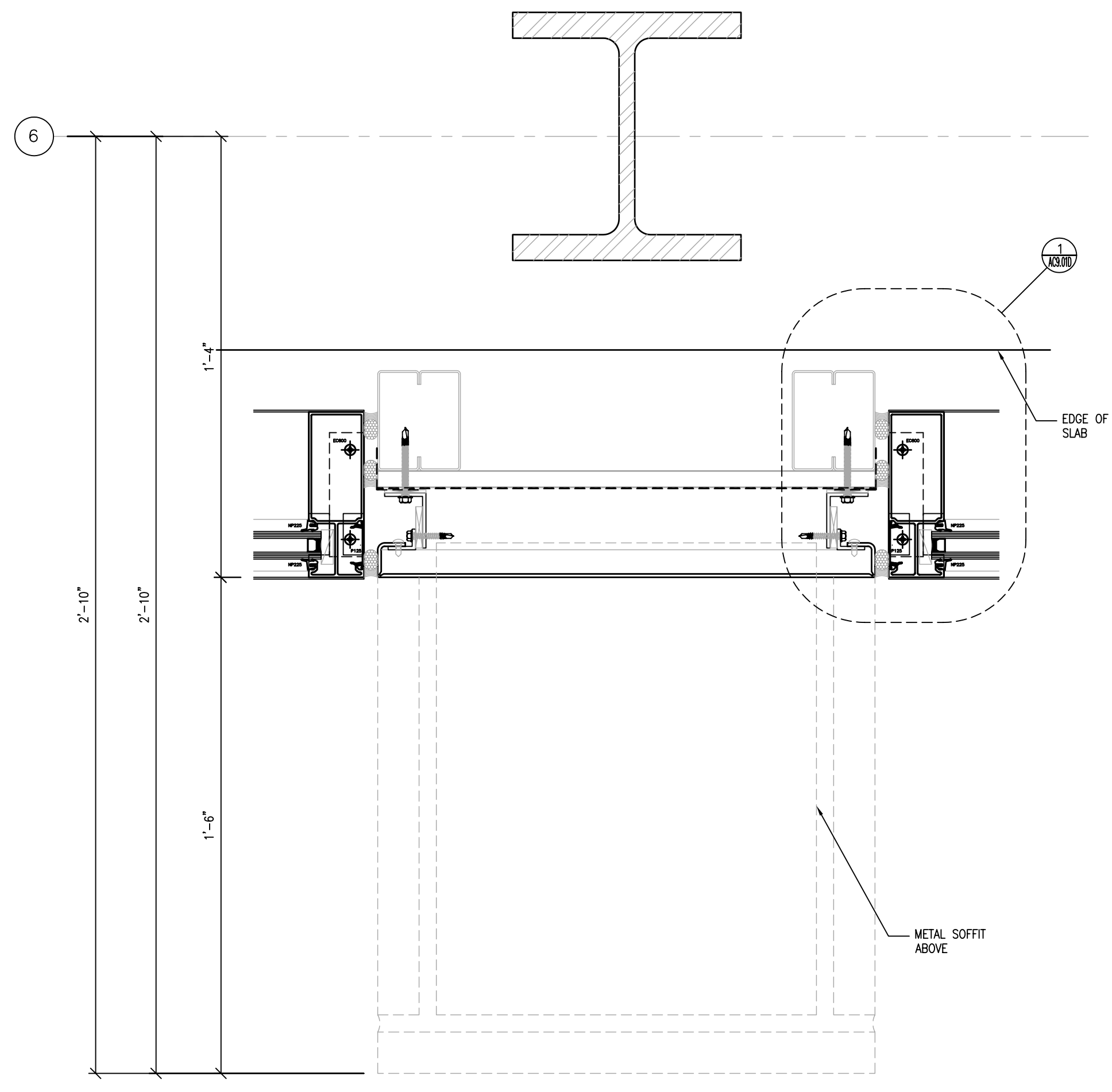
2500 OLD CROFT CANYON RD. SUITE. 320  
SAN MATEO, CA 94403  
TEL: (925) 830-8113 FAX: (925) 820-8987

DATE: 05/30/08  
SCALE: FULL  
DRAWN BY: CDC  
JOB #: D01065

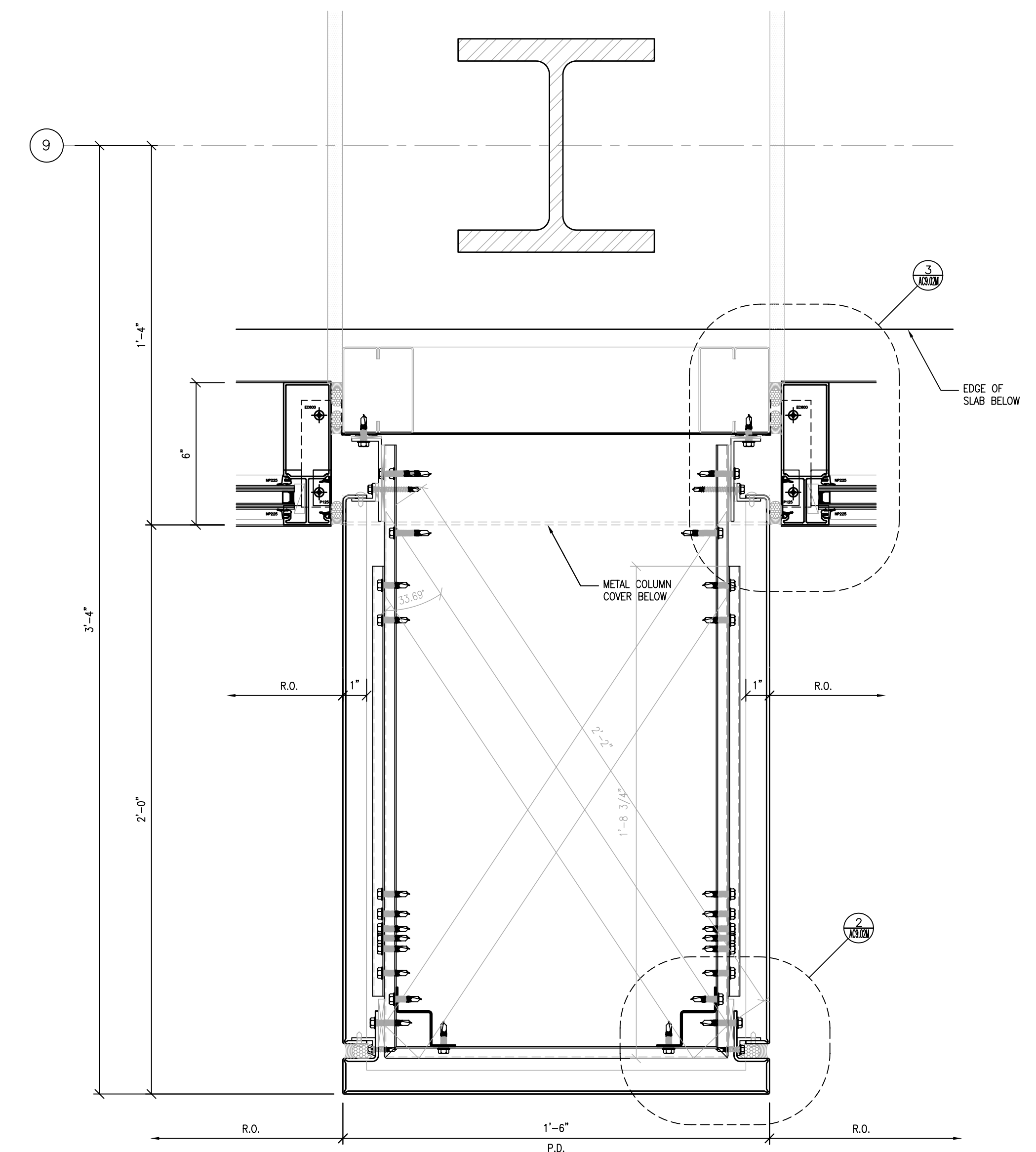
SHEET #  
AC9.02K  
OF -- SHEETS



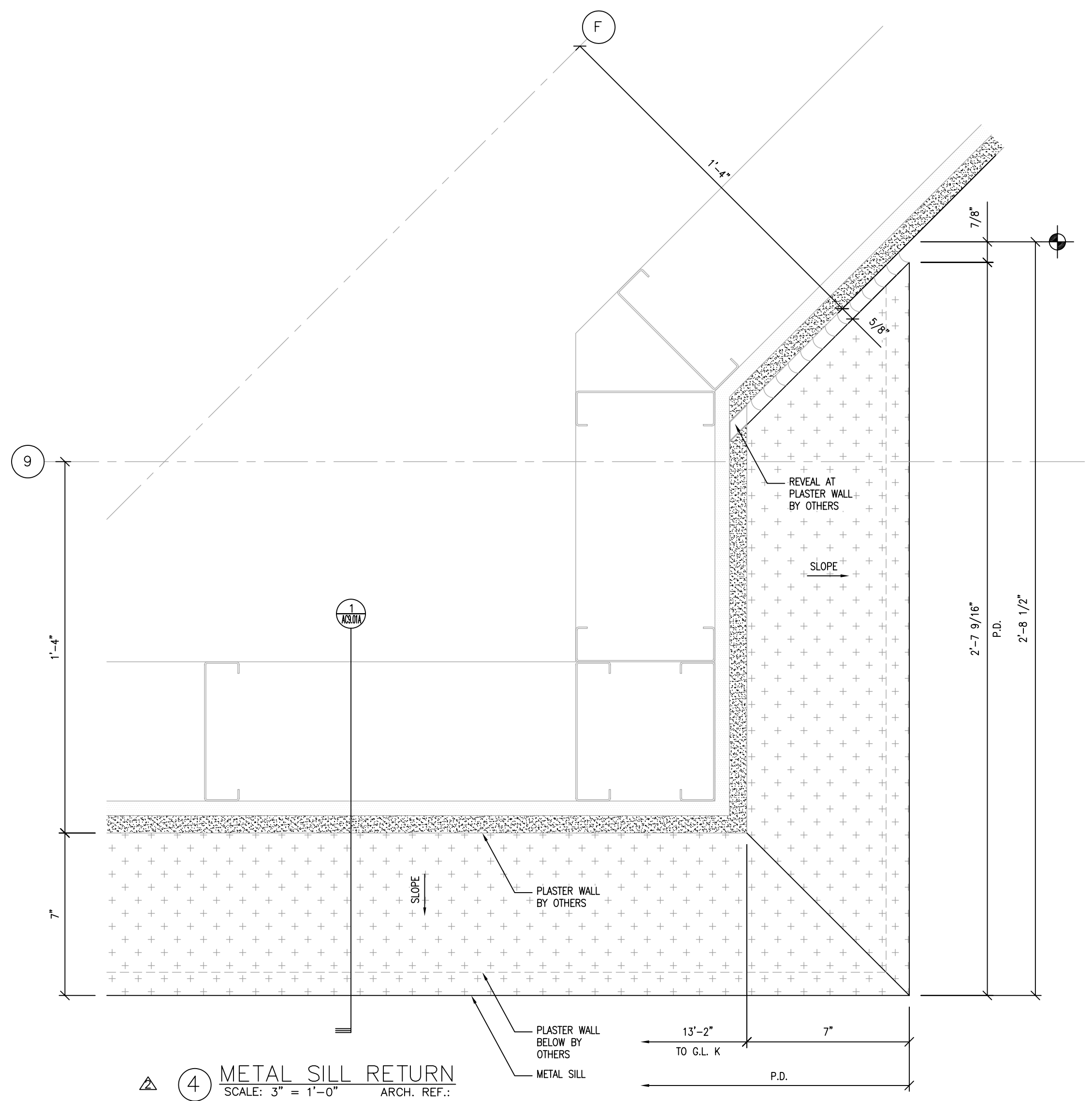
1 METAL FIN DETAIL AT RECESSED WINDOW  
SCALE: 3" = 1'-0" ARCH. REF.: 13/A9.02



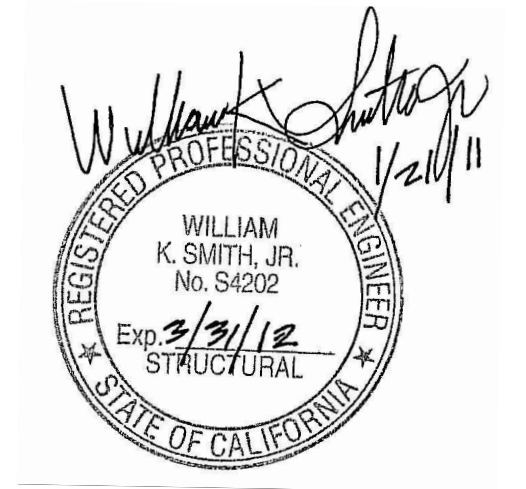
2 METAL COLUMN COVER  
SCALE: 3" = 1'-0"



3 METAL COLUMN COVER  
SCALE: 3" = 1'-0"



4 METAL SILL RETURN  
SCALE: 3" = 1'-0" ARCH. REF.:

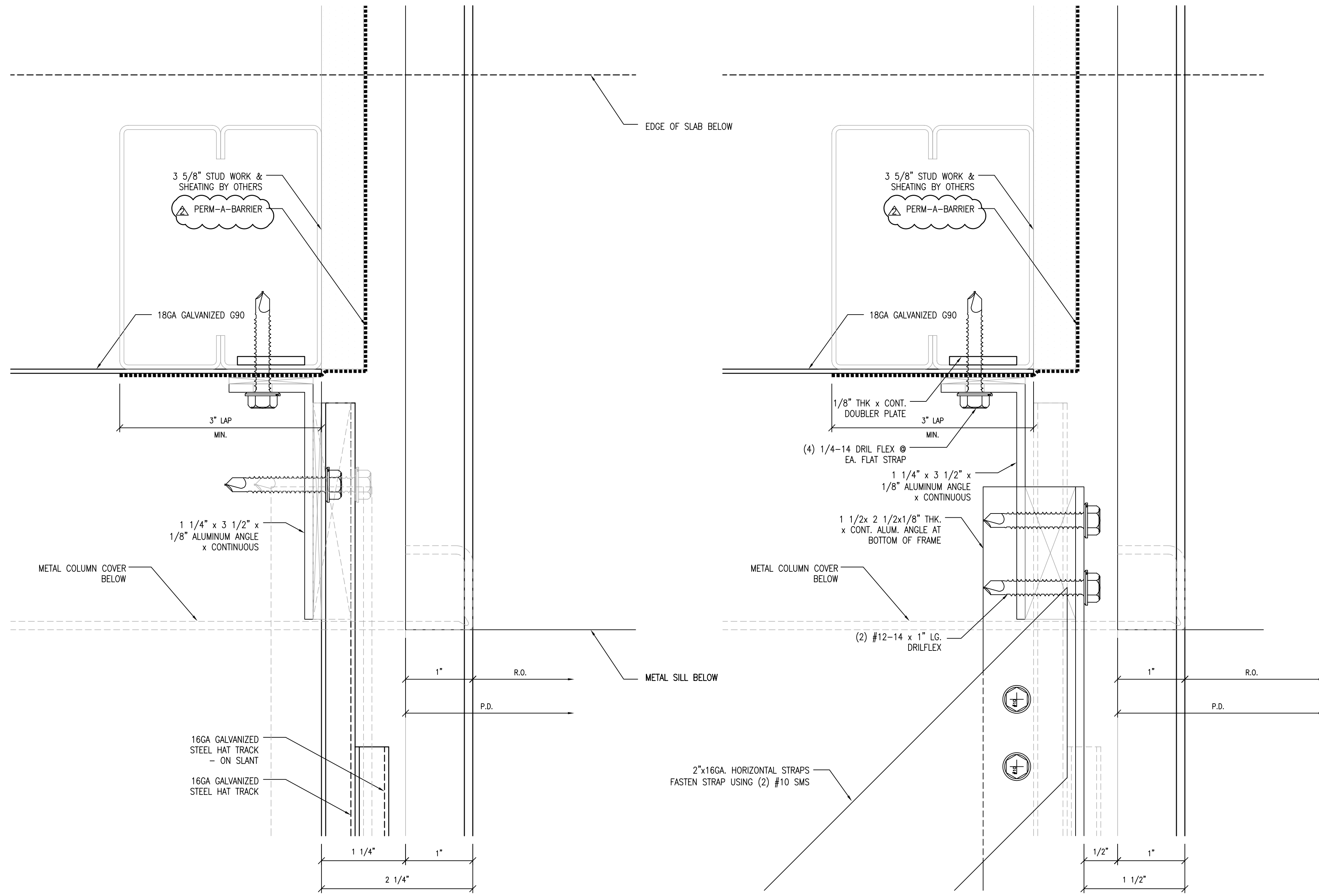


NO.	DATE	REVISION DESCRIPTION
4	10/15/10	AS BUILT
3	03-26-10	FOR RECORD
2	03-18-09	SGH, ARCH, C/S REV.
-	-	-

**COLLEGE OF SAN MATEO**  
**BUILDING 5N**  
 1700 WEST HILLSDALE BOULEVARD  
 SAN MATEO, CA. 94402

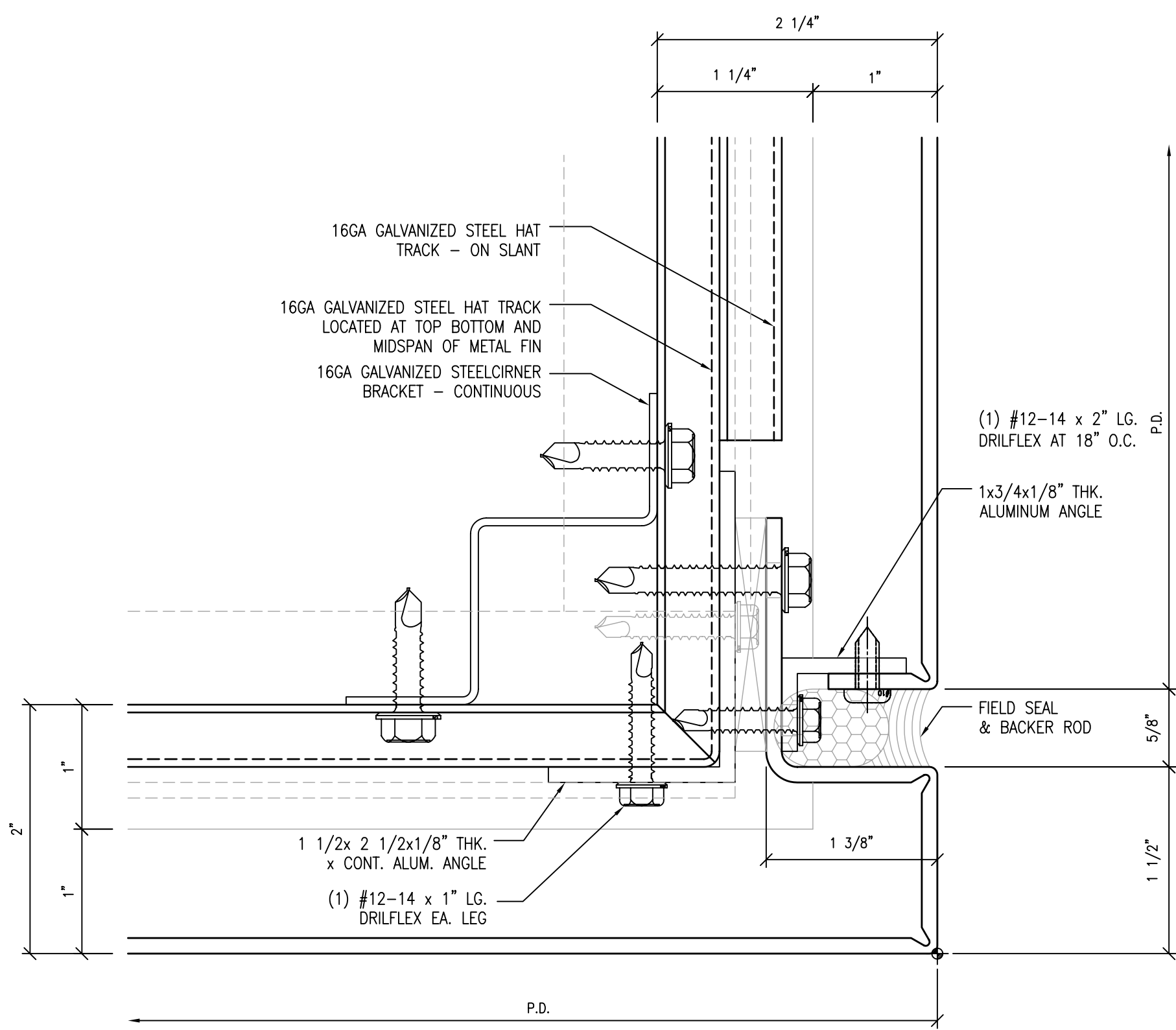
**C/S ERECTORS, INC.** INSTALLER OF ARCHITECTURAL PAINT SYSTEMS  
 License No. 076006  
 2500 OLD CROY CANYON RD. SUITE. 320  
 SAN MATEO, CA 94403  
 TEL: (925) 830-8113 FAX: (925) 820-6987

DATE: 05/30/08  
 SCALE: FULL  
 DRAWN BY: CDC  
 JOB #: D01065  
 SHEET # **ACH9.02L**  
 OF -- SHEETS

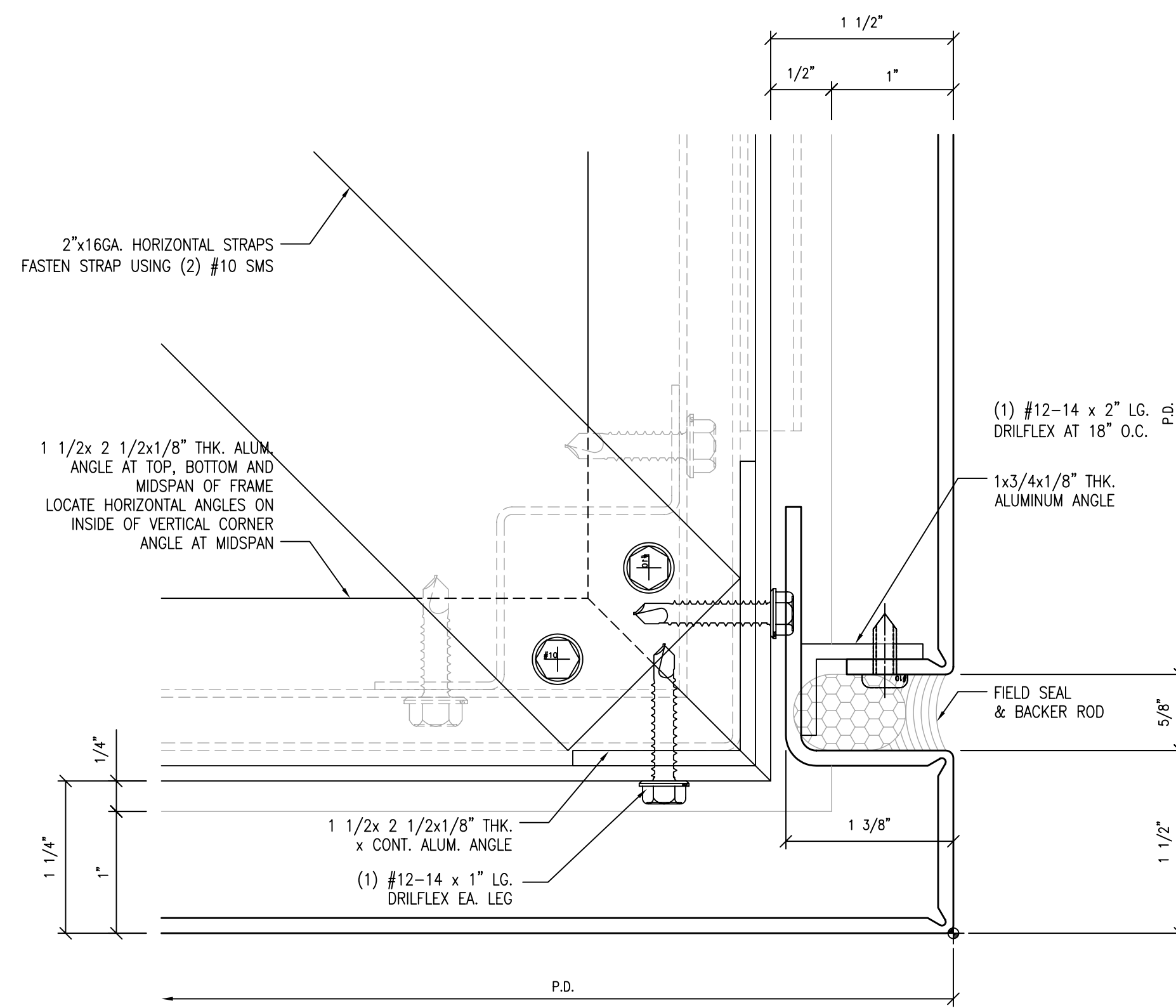


1 METAL FIN CONNECTION DETAIL  
SCALE: FULL

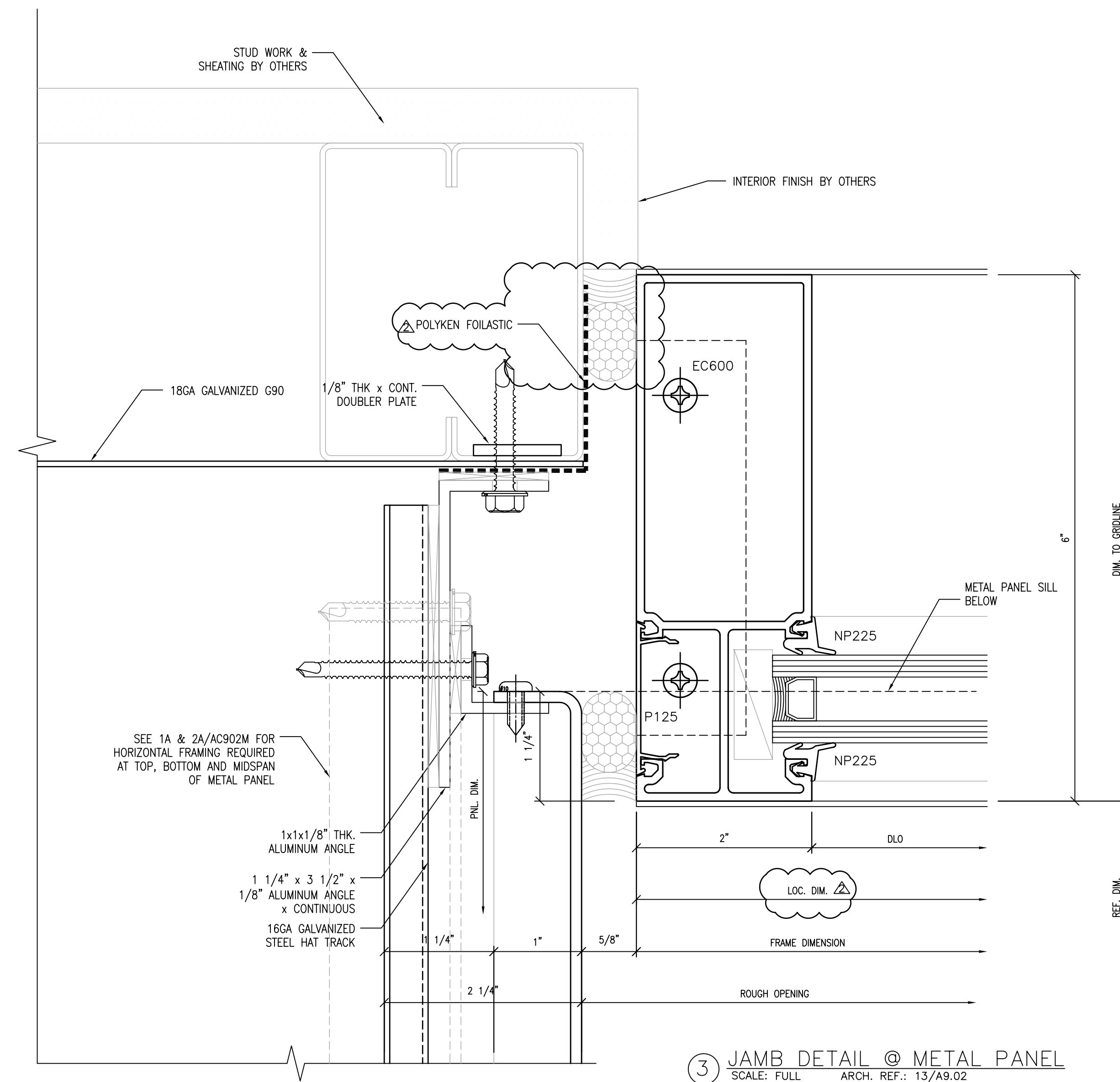
1A METAL FIN CONNECTION DETAIL  
SCALE: FULL



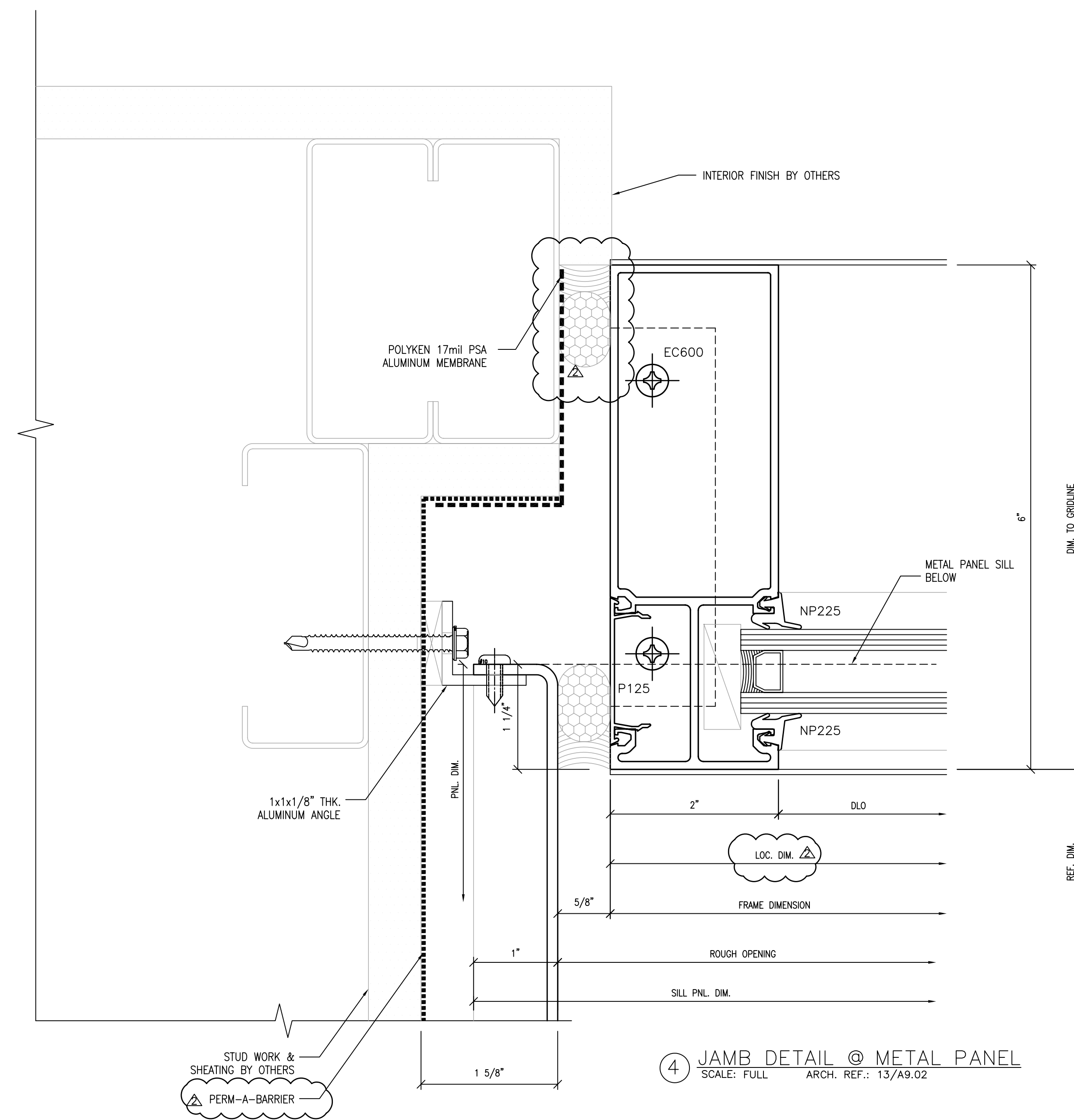
2 METAL FIN CORNER DETAIL  
SCALE: FULL



2A METAL FIN CORNER DETAIL  
SCALE: FULL



3 JAMB DETAIL @ METAL PANEL  
SCALE: FULL ARCH. REF.: 13/A9.02



4 JAMB DETAIL @ METAL PANEL  
SCALE: FULL ARCH. REF.: 13/A9.02

*William K. Smith, Jr.*  
 REGISTERED PROFESSIONAL ENGINEER  
 WILLIAM K. SMITH, JR.  
 No. 54202  
 Exp. 3/31/12  
 STATE OF CALIFORNIA  
 CIVIL ENGINEER

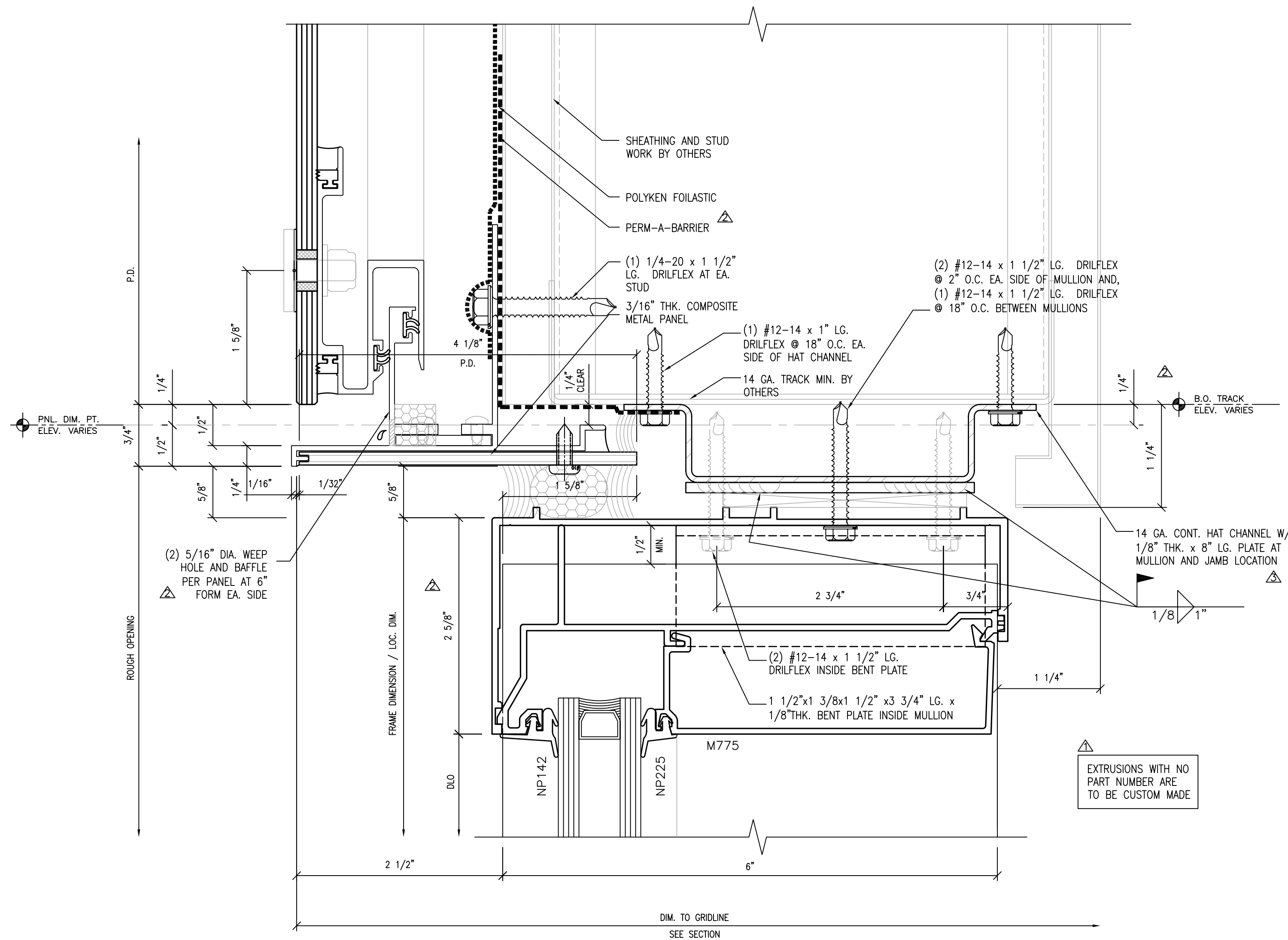
NO.	DATE	REVISION DESCRIPTION
3	10/15/10	AS BUILT
2	03-18-09	SGH, ARCH., C/S REV.
1	10-09-08	PER DSA COMMENTS

COLLEGE OF SAN MATEO  
 BUILDING 5N  
 1700 WEST HILLSDALE BOULEVARD  
 SAN MATEO, CA. 94402

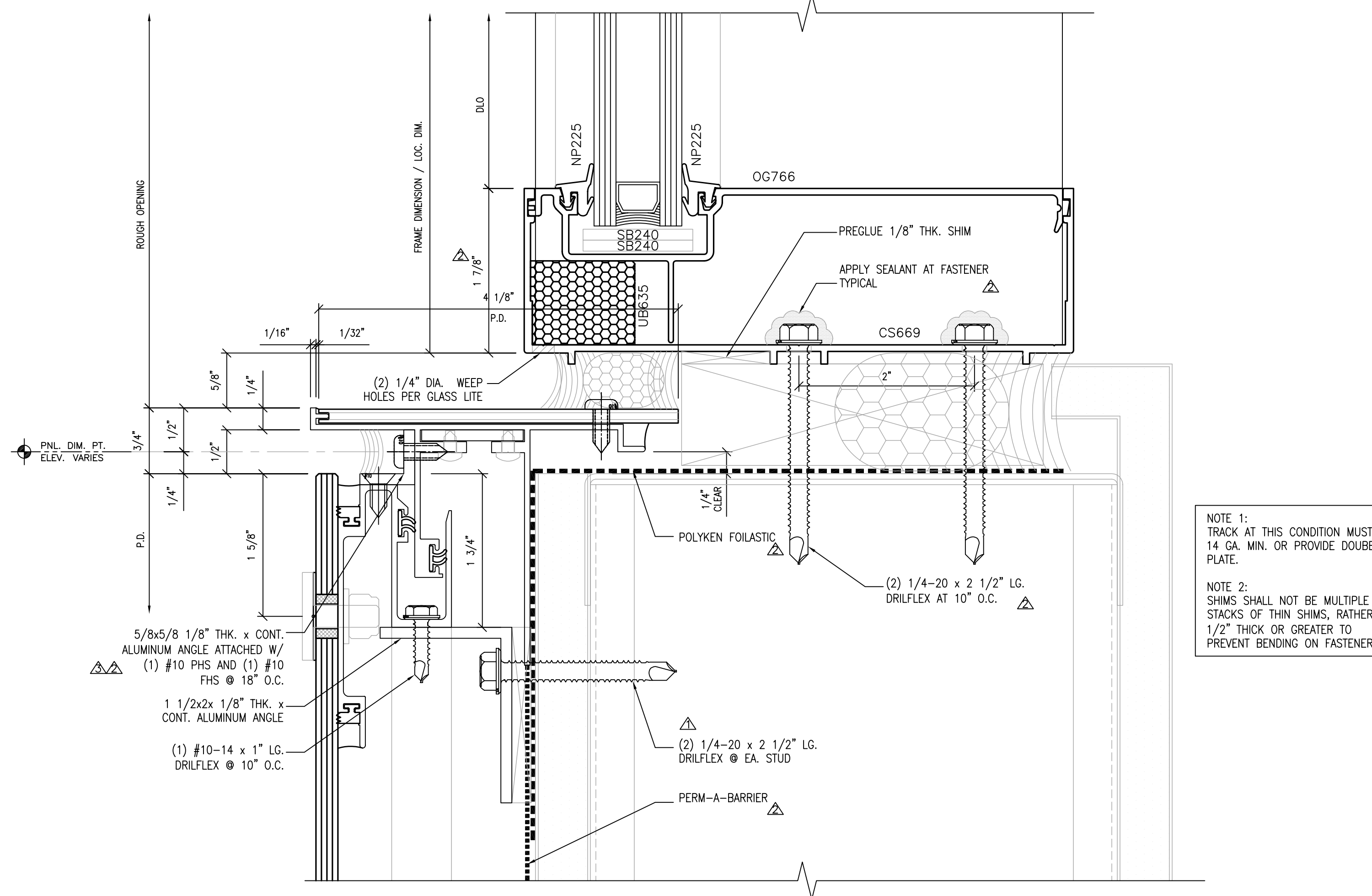
C/S Erectors Inc. INSTALLER OF ARCHITECTURAL PANEL SYSTEMS  
 License No. 076060  
 2500 OLD CROFT CANYON RD., SUITE. 320  
 SAN MATEO, CA 94403  
 TEL: (925) 830-8113 FAX: (925) 820-0987

DATE: 05/30/08  
 SCALE: FULL  
 DRAWN BY: CDC  
 JOB #: D01065

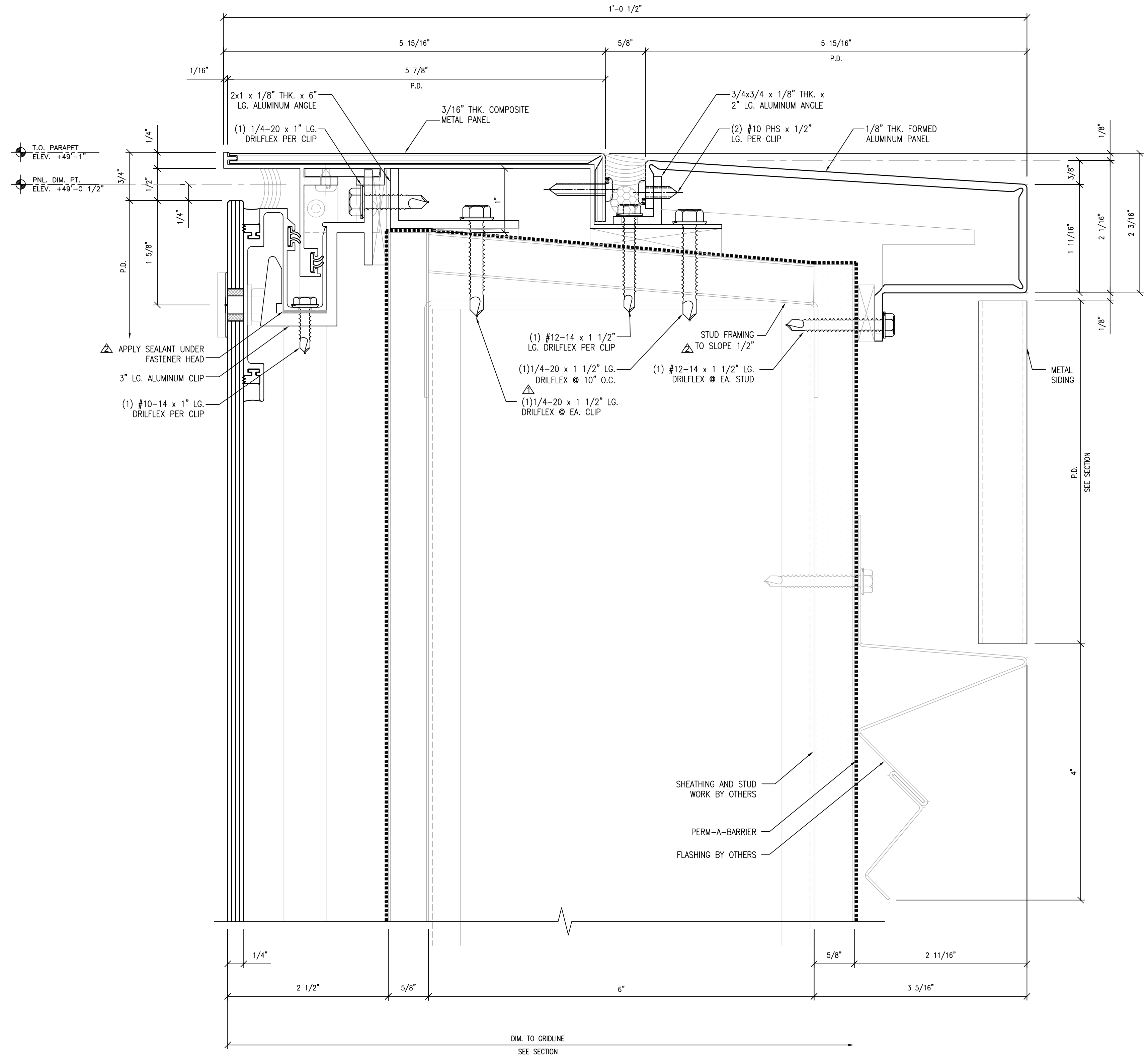
ACH#  
 AC9.02M  
 OF -- SHEETS



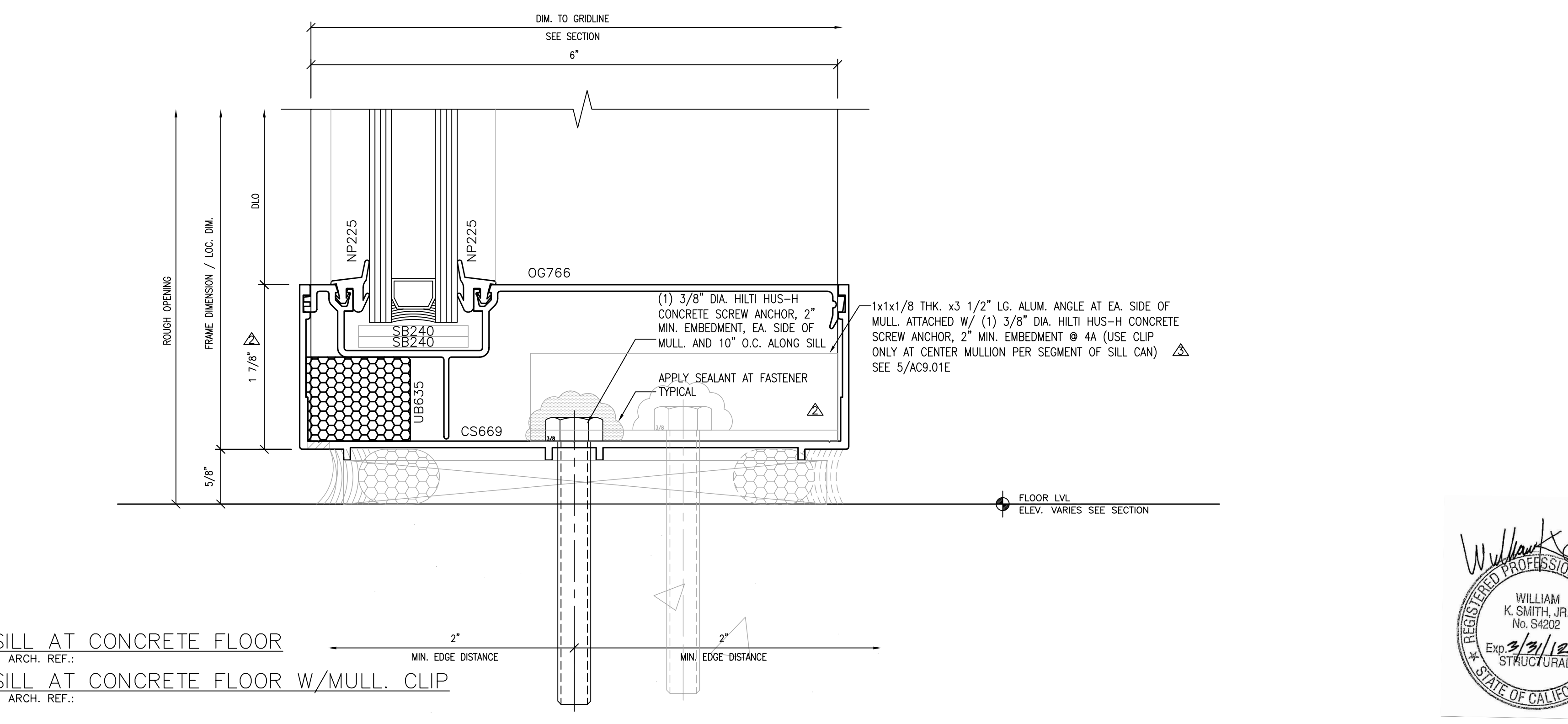
1 HEAD DETAIL @ GLASS PANEL  
SCALE: FULL ARCH. REF.: 2/A9.31



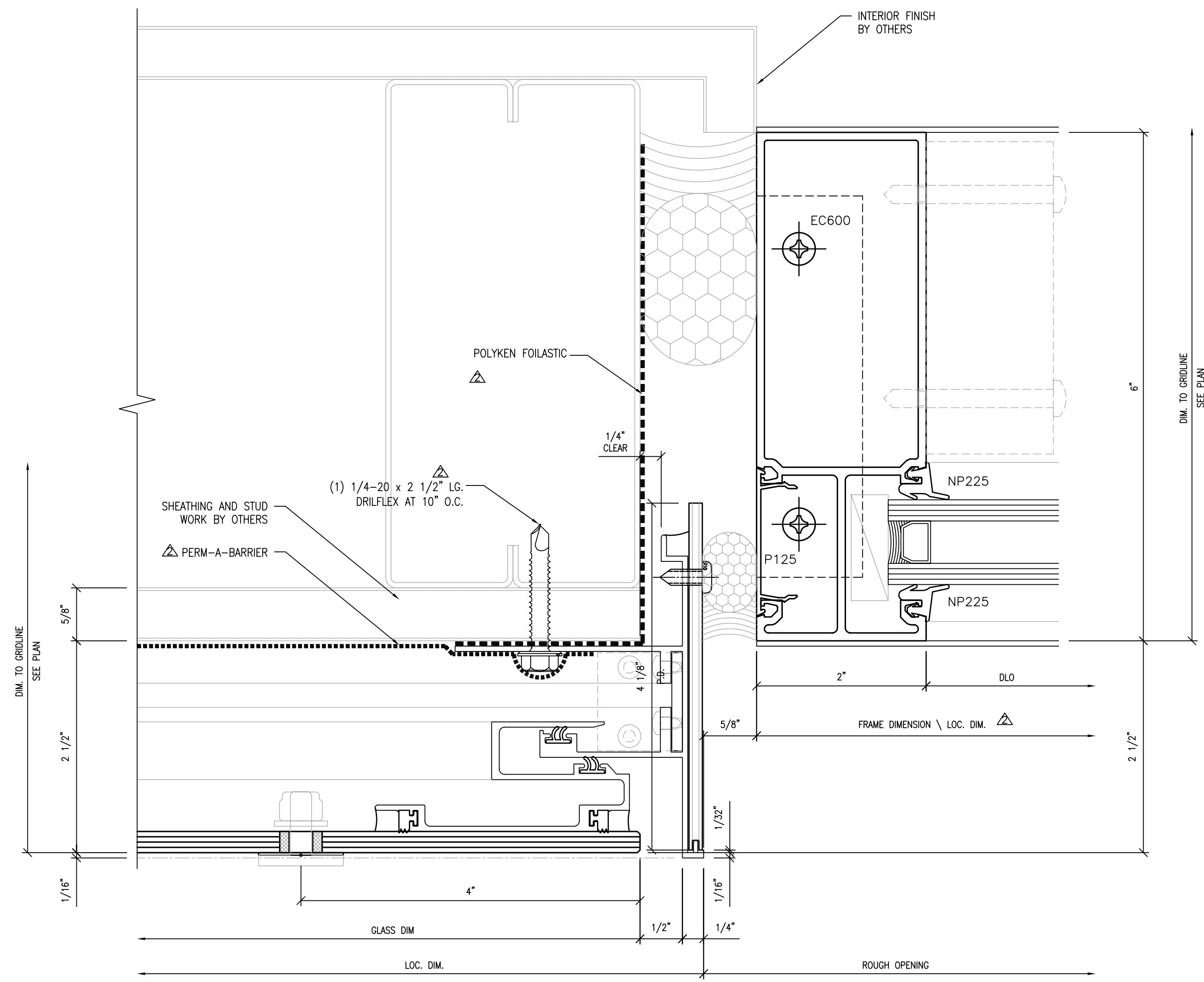
2 SILL DETAIL @ GLASS PANEL  
SCALE: FULL ARCH. REF.: 1/A9.31



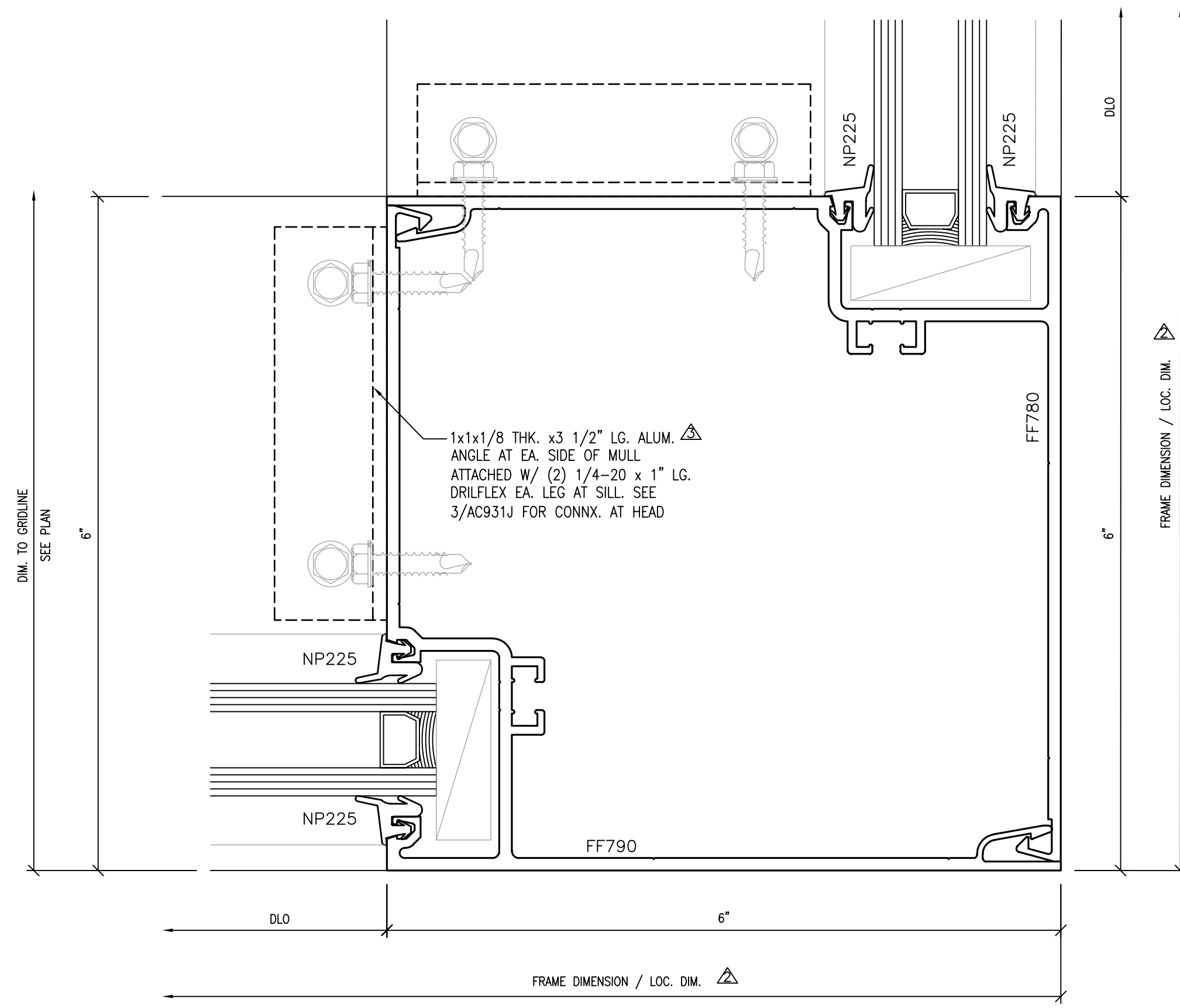
3 GLASS PANEL AT PARAPET  
SCALE: FULL ARCH. REF.: 3A4/A9.31



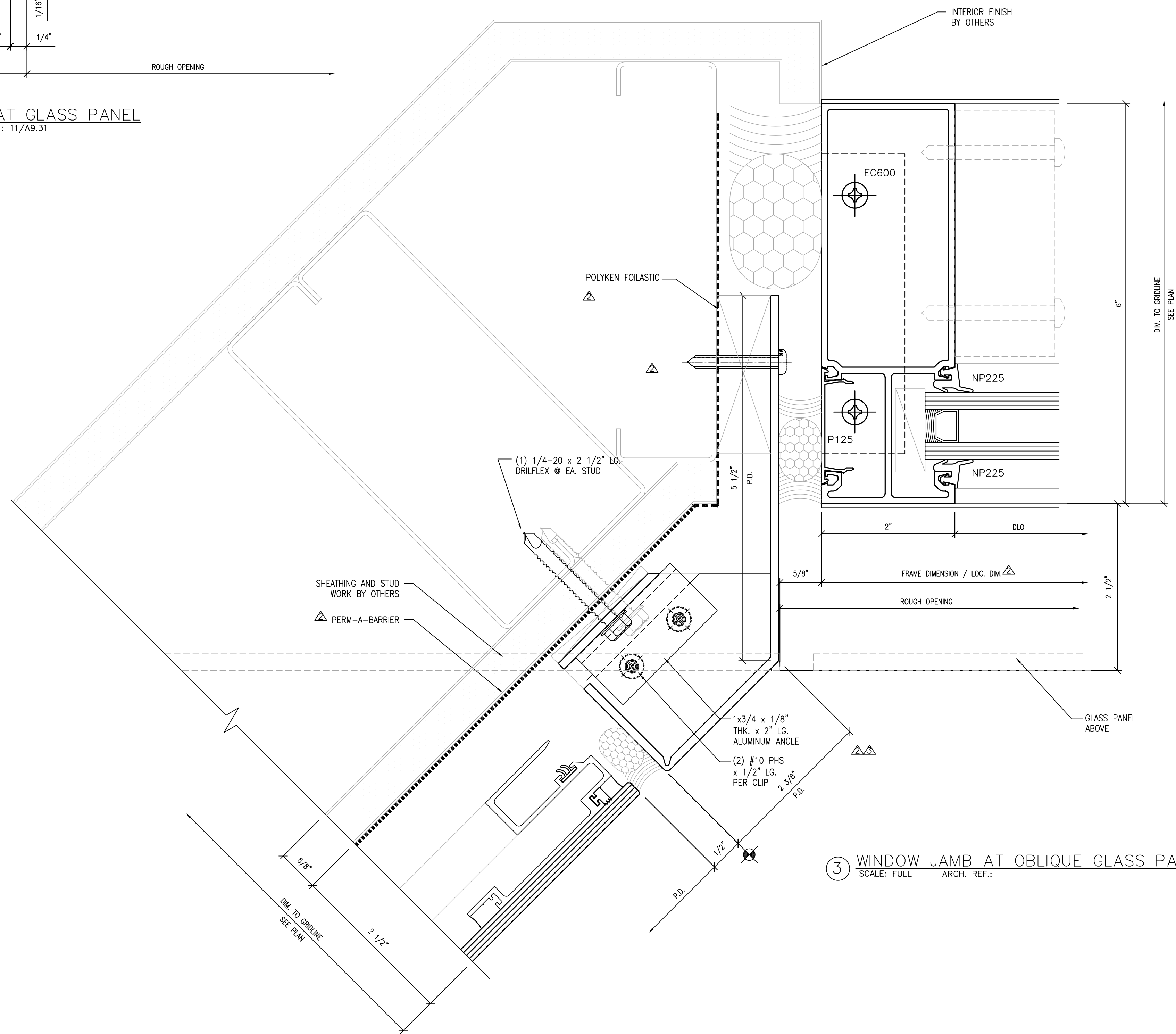
4 WINDOW SILL AT CONCRETE FLOOR  
SCALE: FULL ARCH. REF.:  
4A WINDOW SILL AT CONCRETE FLOOR W/MULL. CLIP  
SCALE: FULL ARCH. REF.:



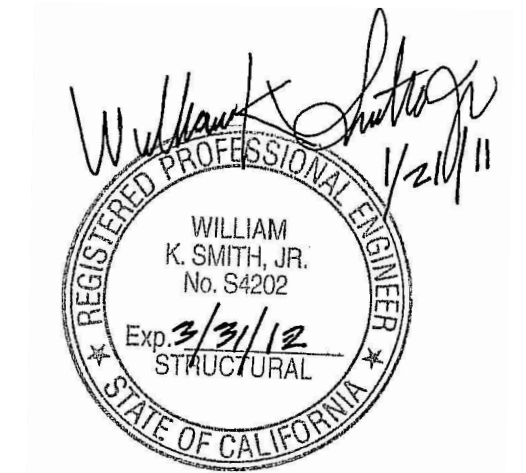
① WINDOW JAMB AT GLASS PANEL  
SCALE: FULL ARCH. REF.: 11/AS.31



② WINDOW O.S. CORNER  
SCALE: FULL ARCH. REF.:



③ WINDOW JAMB AT OBLIQUE GLASS PANEL  
SCALE: FULL ARCH. REF.:

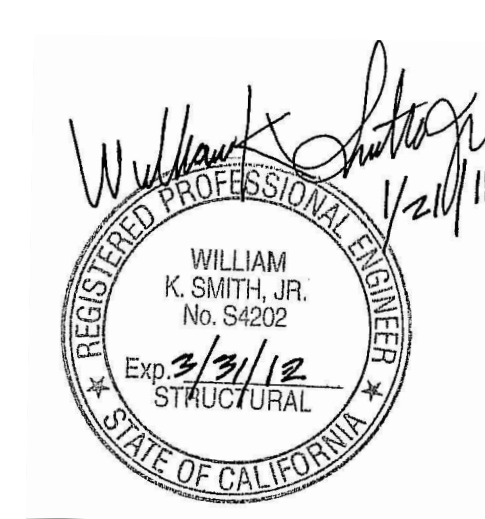
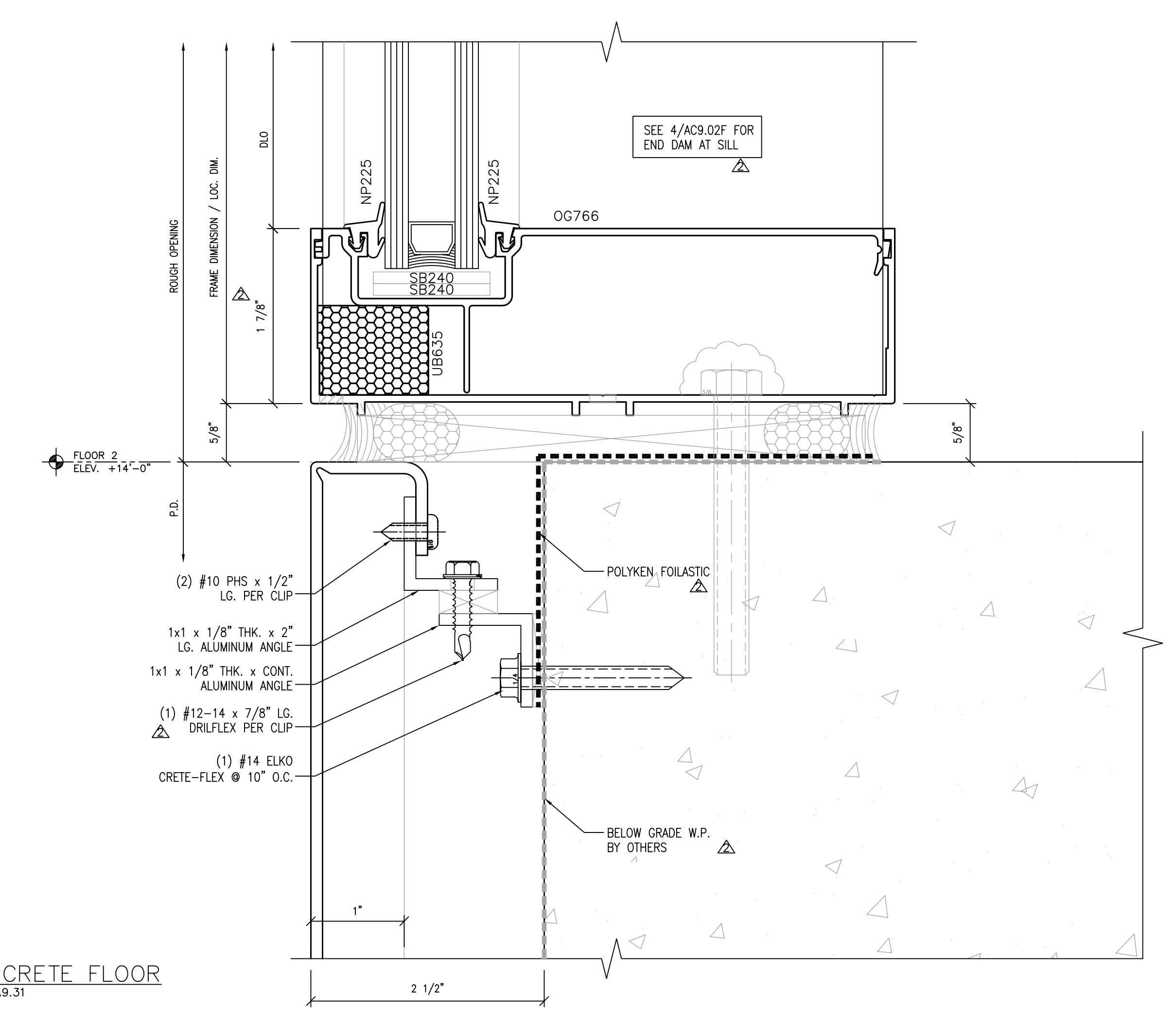
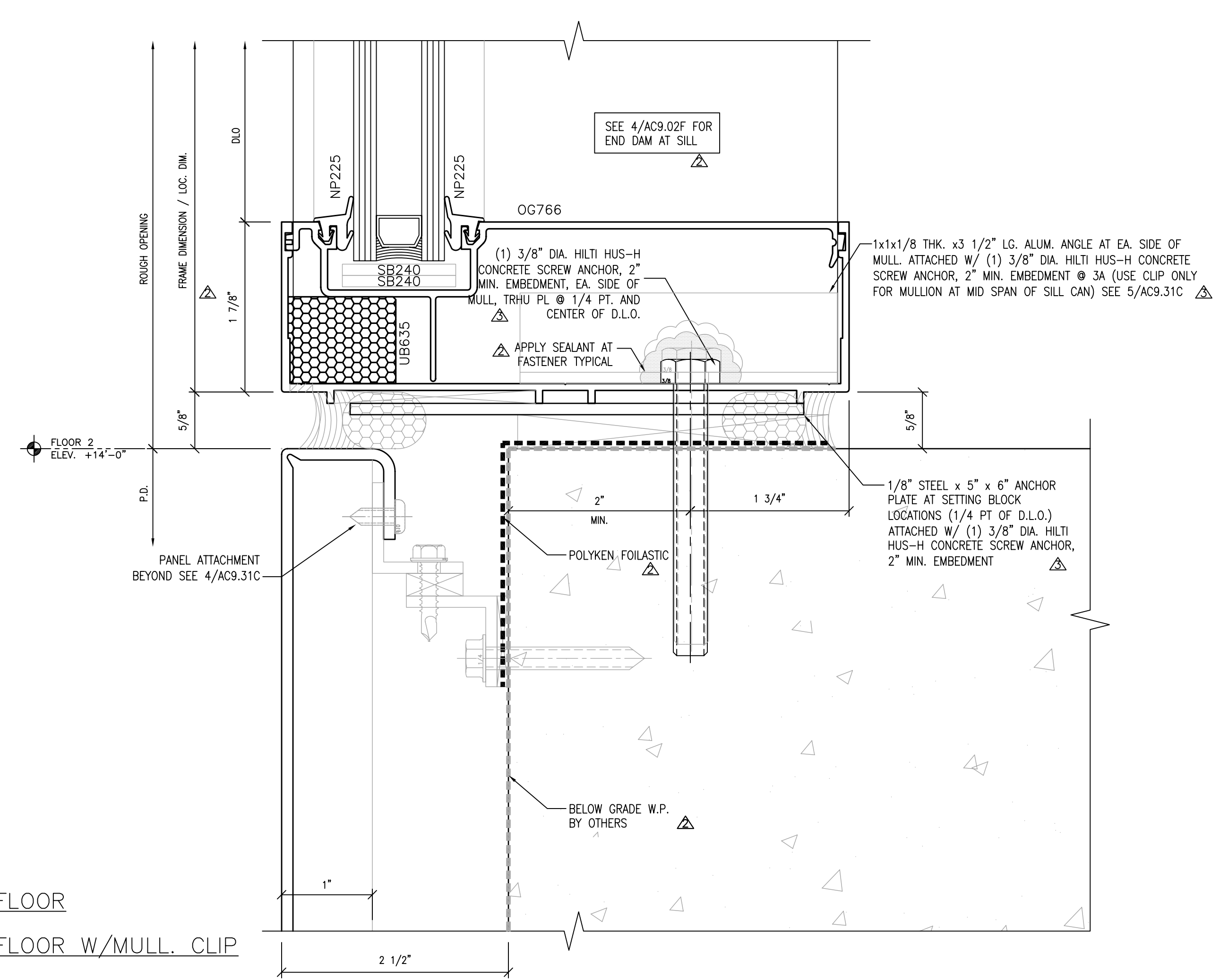
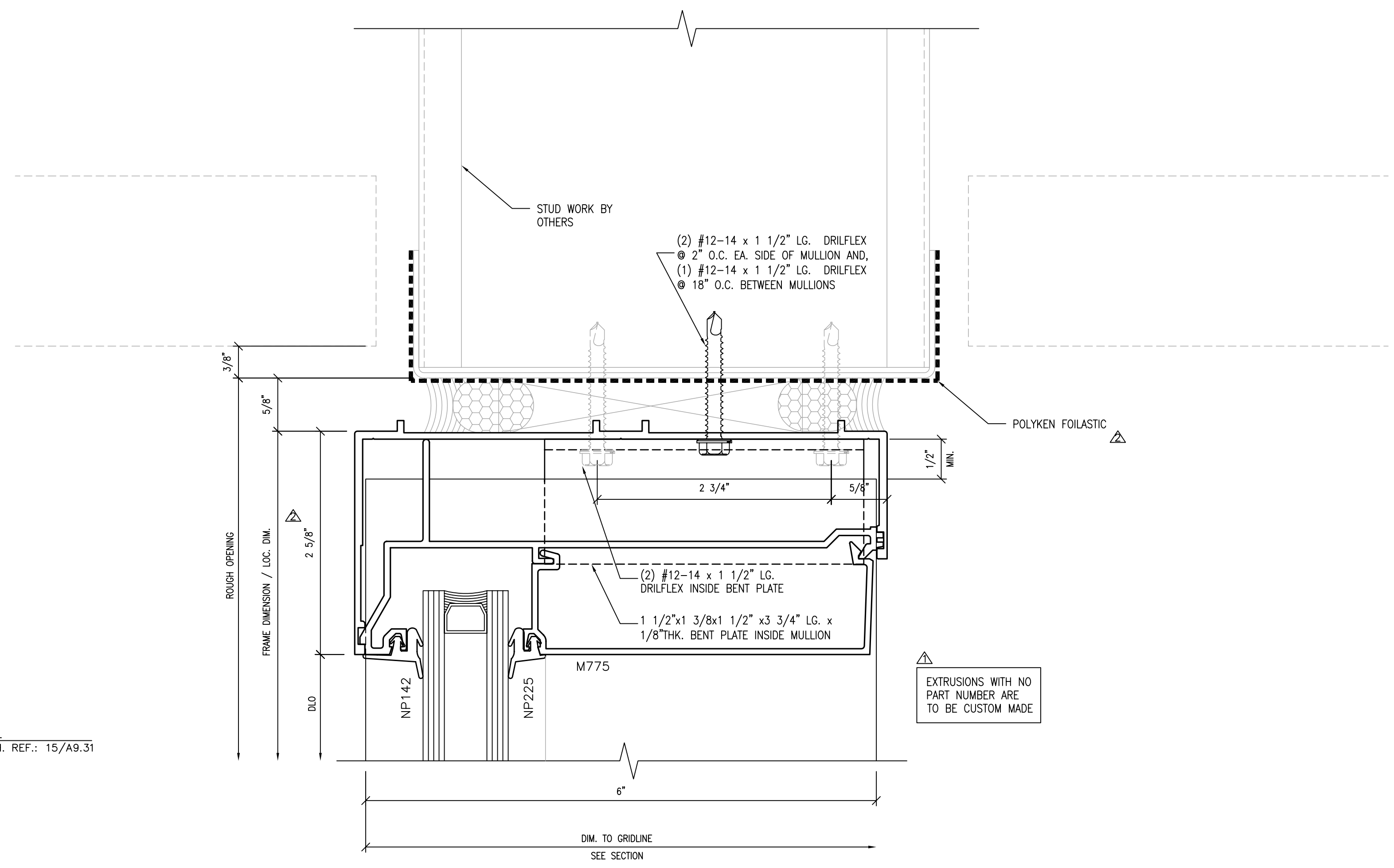
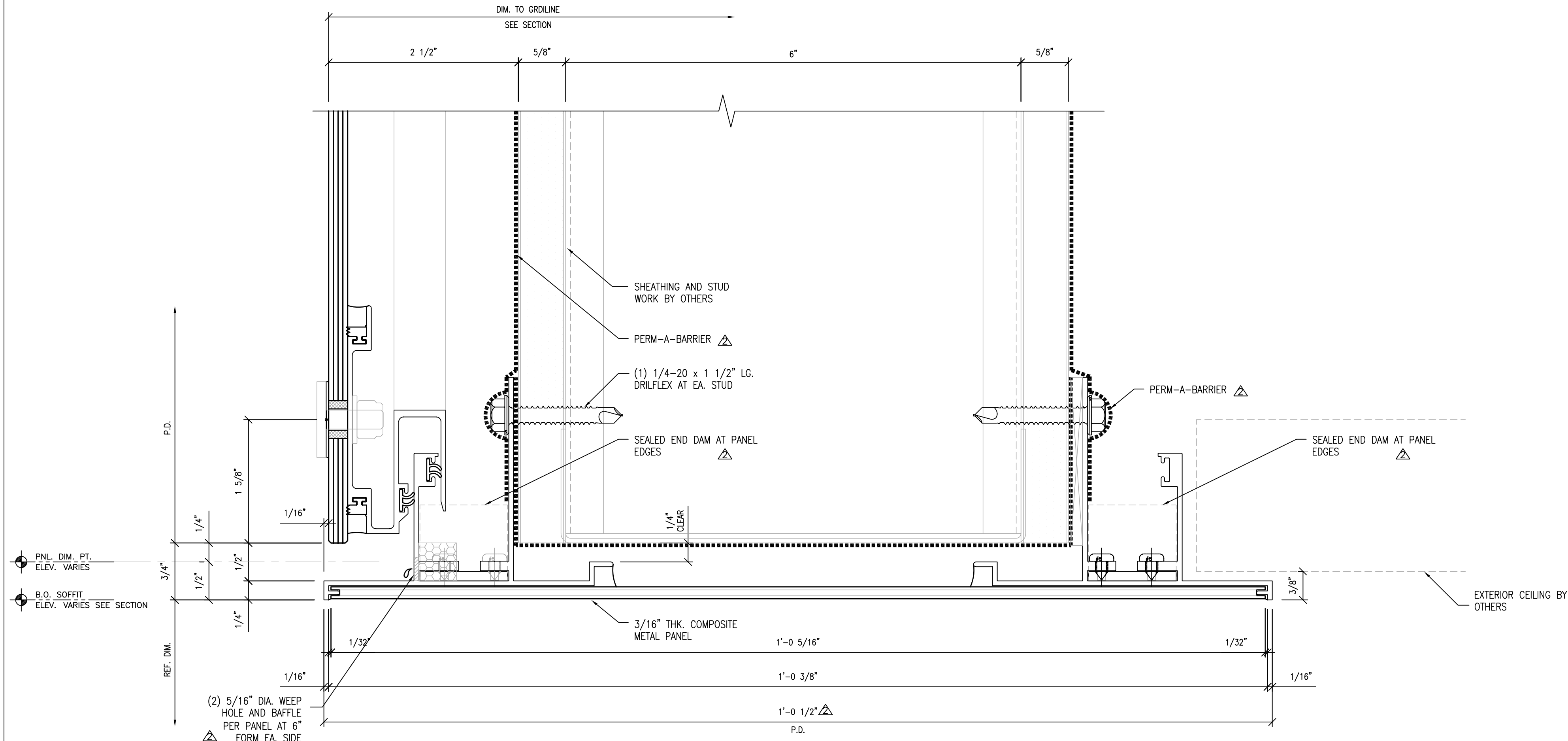


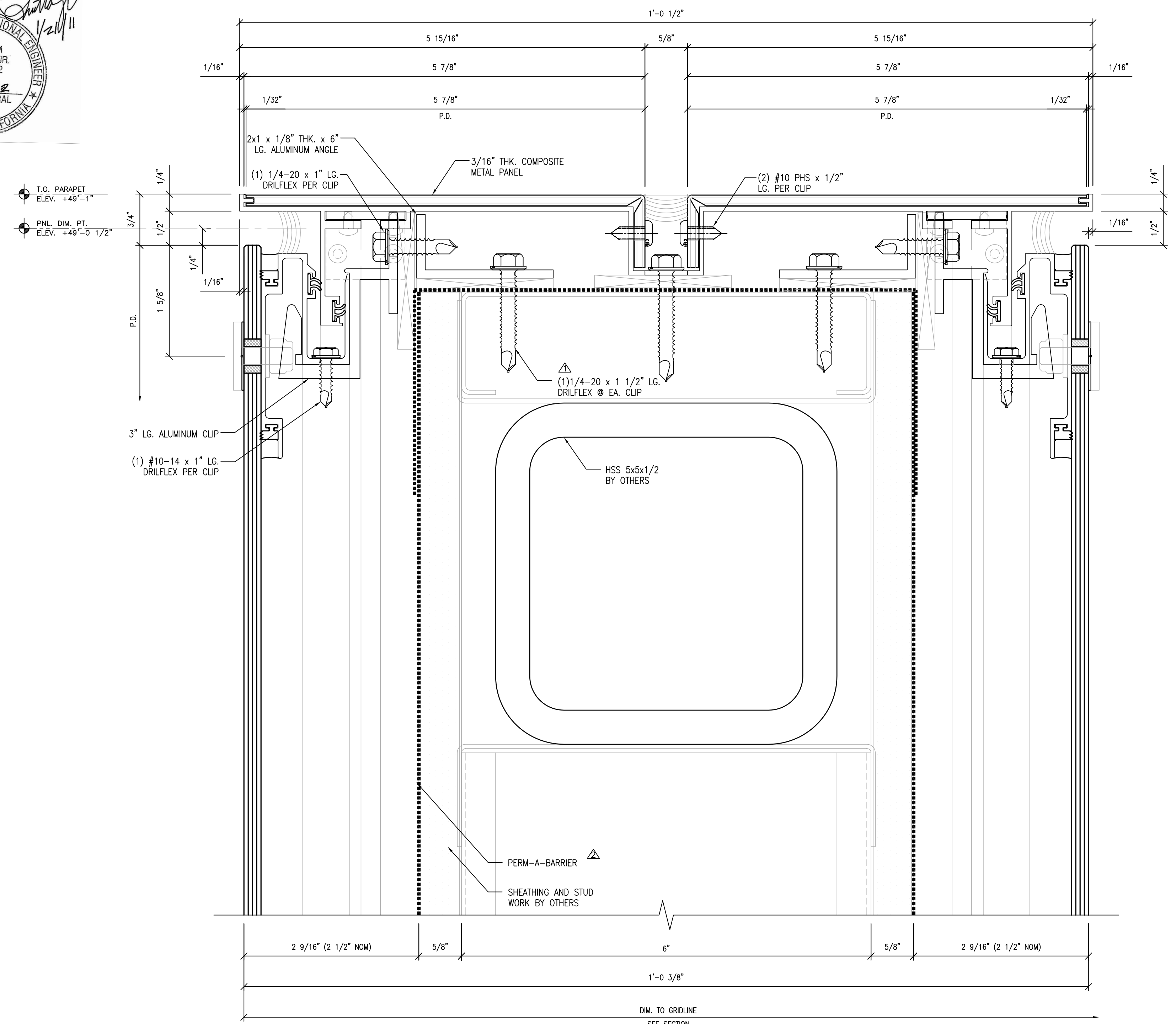
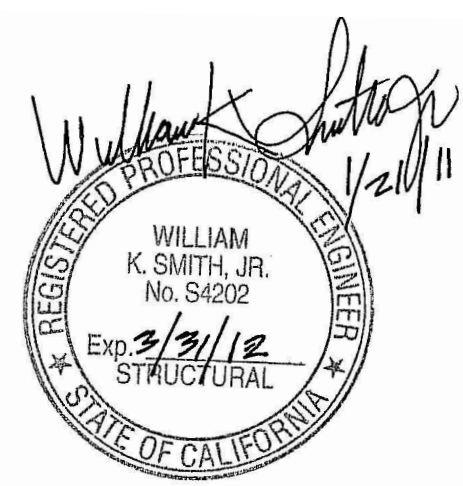
NO.	DATE	REVISION DESCRIPTION
5	10/15/10	AS BUILT
4	03-26-10	FOR RECORD
3	05-18-09	FOR CONSTRUCTION
2	03-18-09	SGH, ARCH., C/S REV.
1	10-09-08	PER DSA COMMENTS

**COLLEGE OF SAN MATEO**  
**BUILDING 5N**  
 1700 WEST HILLSDALE BOULEVARD  
 SAN MATEO, CA. 94402

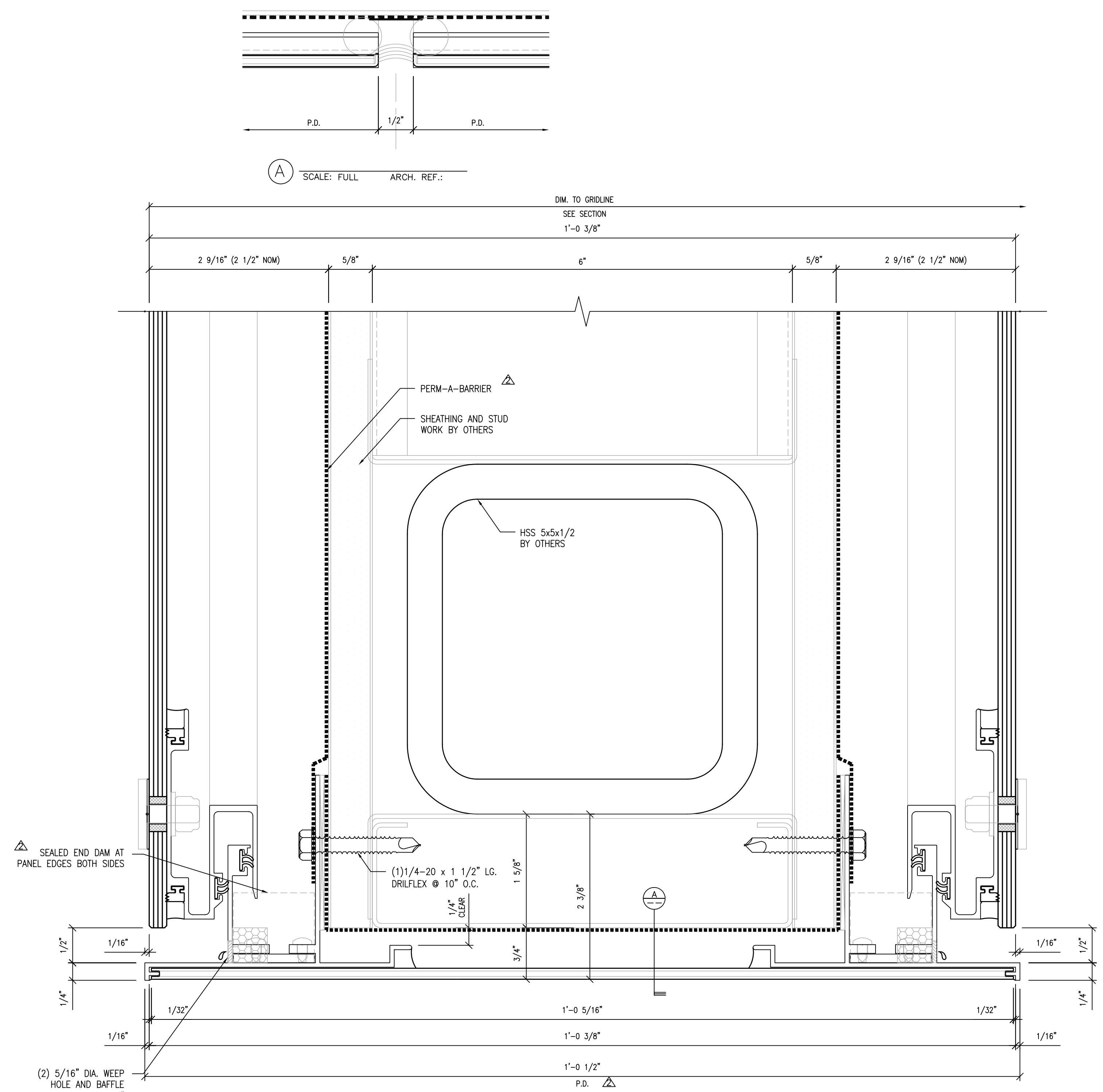
**C/S ERECTORS INC.** INSTALLER OF ARCHITECTURAL FRAME SYSTEMS  
 License No. 070000  
 2500 OLD CROFT CANYON RD., SUITE. 320  
 SAN MATEO, CA 94403  
 TEL: (925) 830-8113 FAX: (925) 820-6987

DATE: 05/30/08  
 SCALE: FULL  
 DRAWN BY: CDC  
 JOB #: D01065  
 SHEET #  
**AC9.31B**  
 OF -- SHEETS

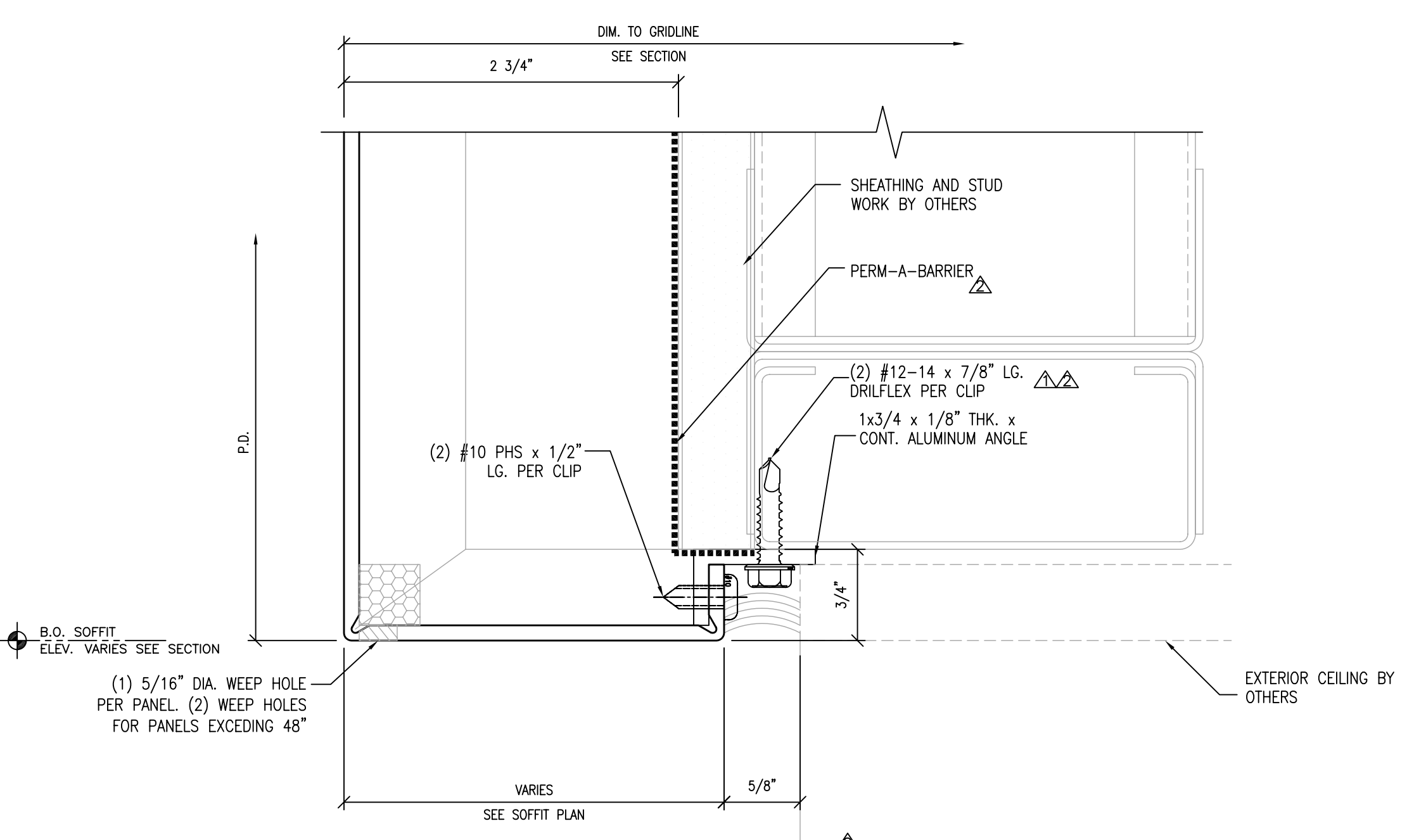




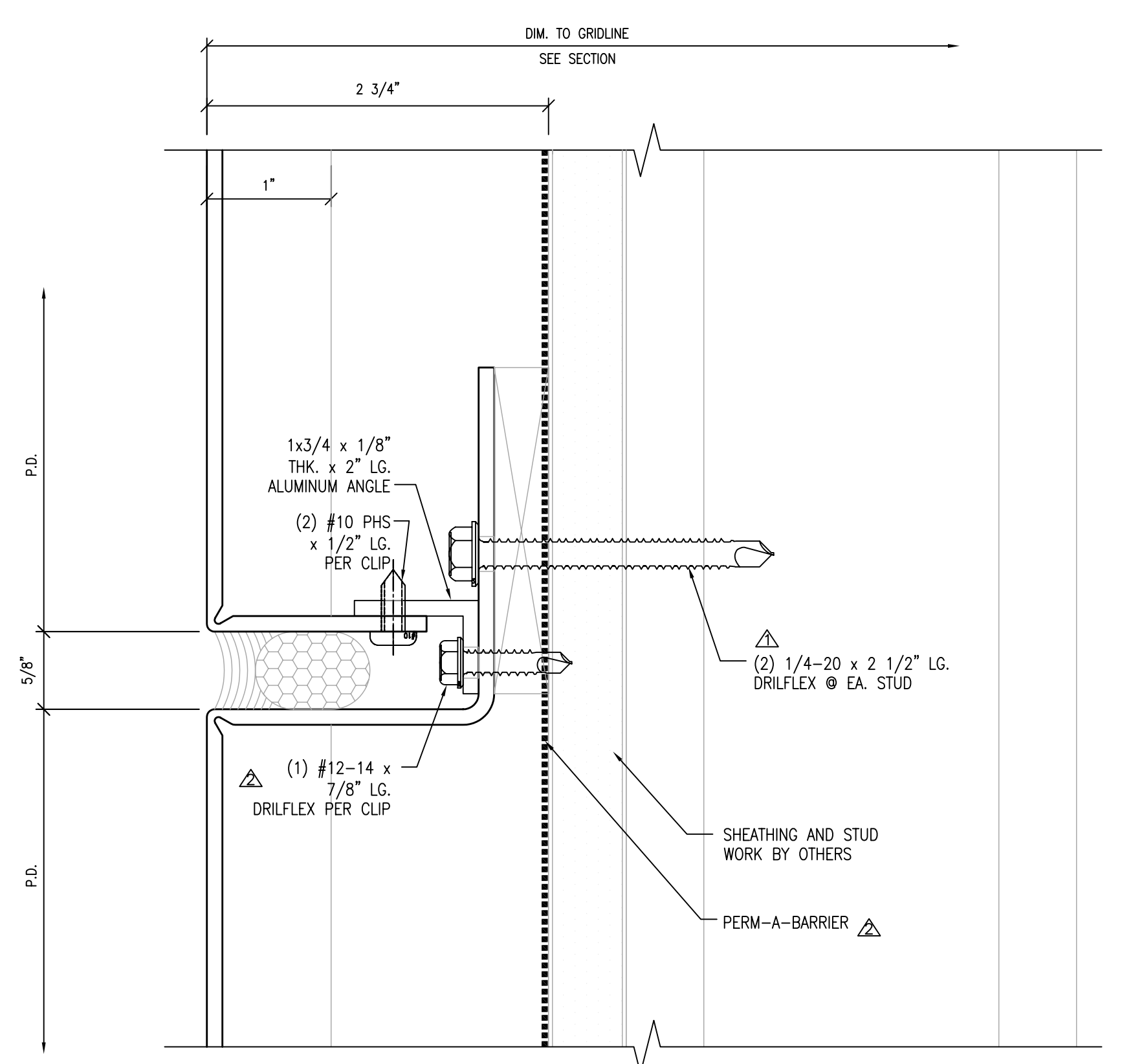
1 PARAPET AT FLY BY  
SCALE: FULL ARCH. REF.:



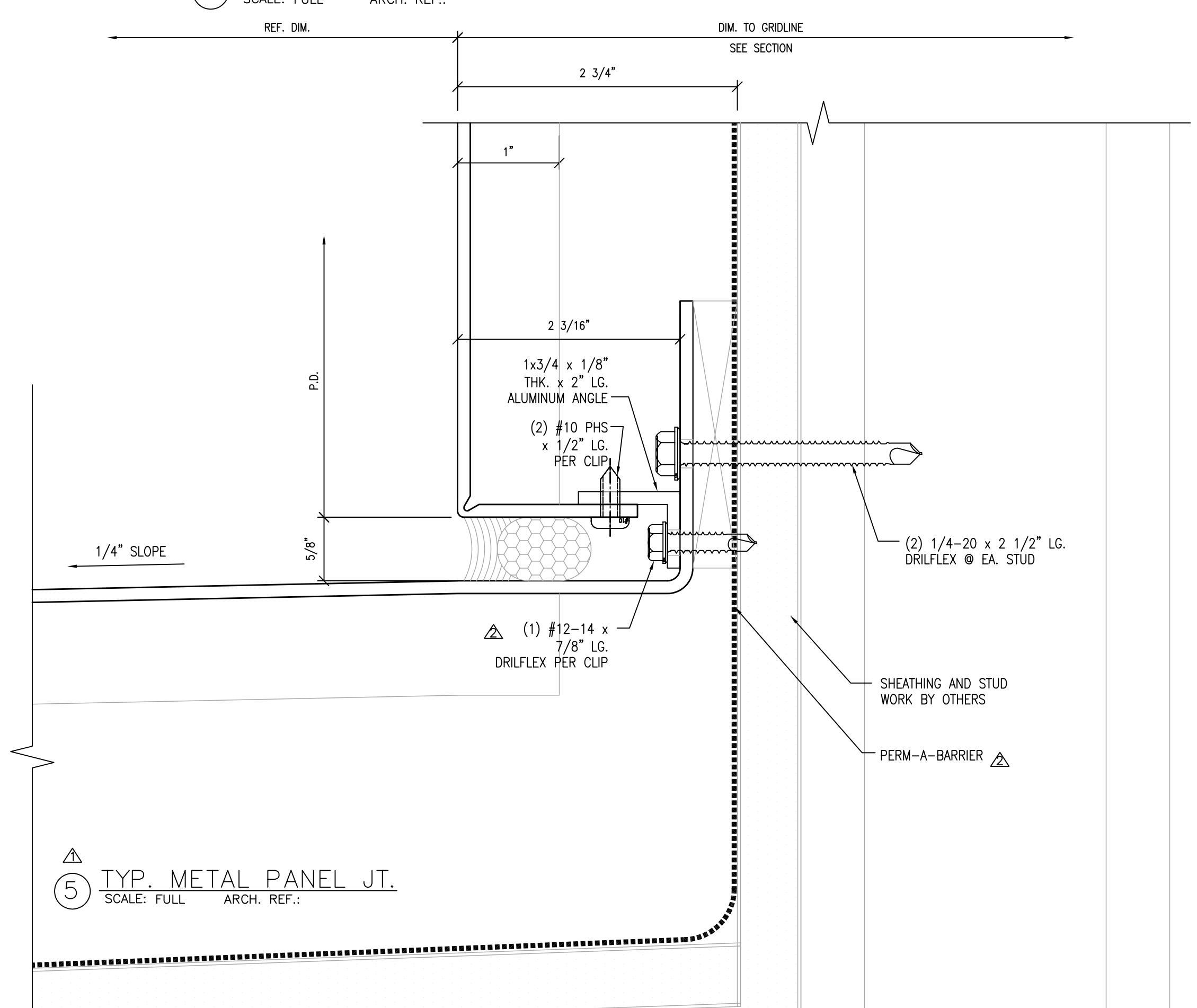
2 SOFFIT AT FLY BY  
SCALE: FULL ARCH. REF.:



3 METAL PANEL RETURN AT SOFFIT  
SCALE: FULL ARCH. REF.:



4 TYP. METAL PANEL JT.  
SCALE: FULL ARCH. REF.:



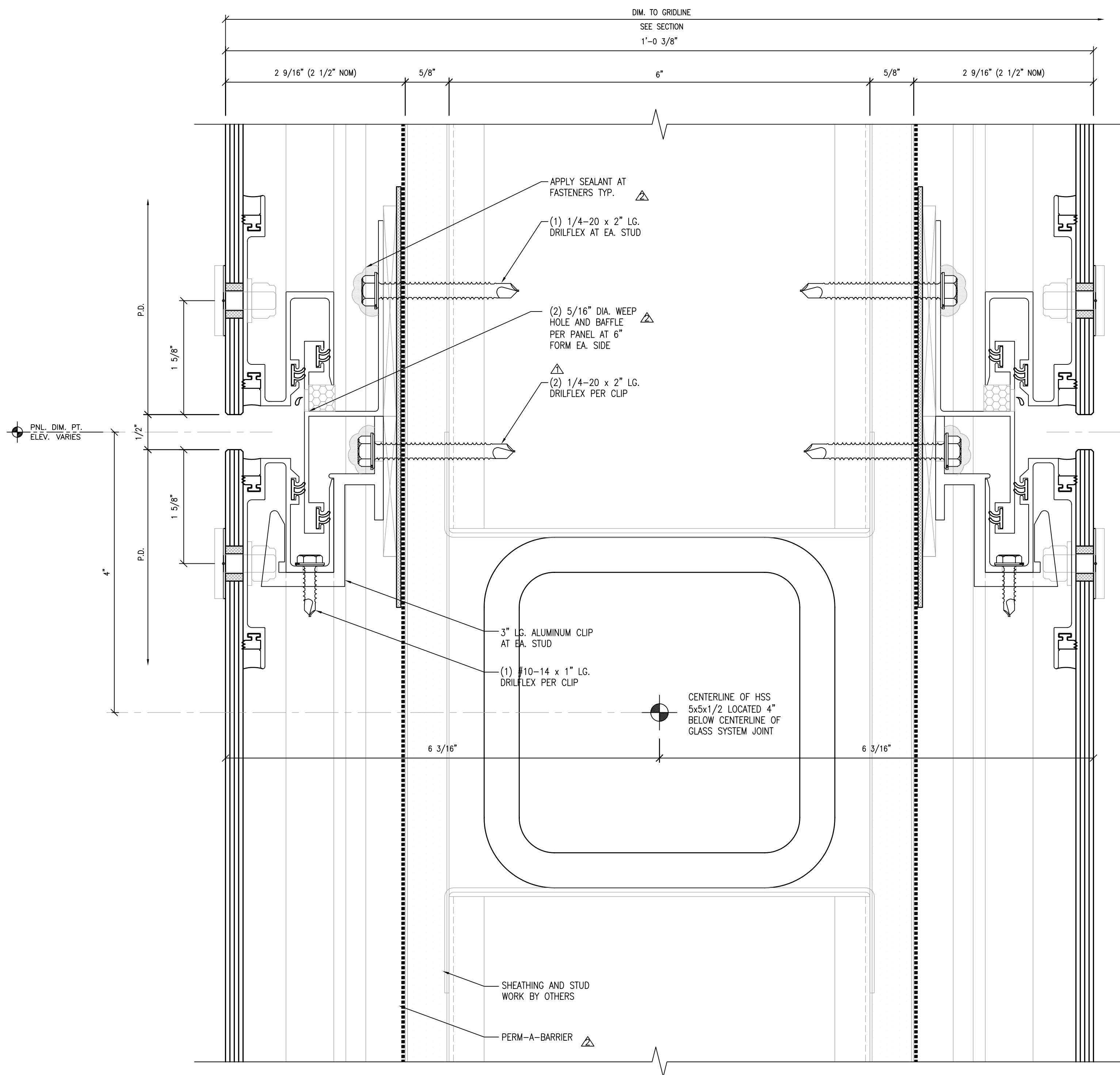
5 TYP. METAL PANEL JT.  
SCALE: FULL ARCH. REF.:

NO.	DATE	REVISION DESCRIPTION
4	10/15/10	AS BUILT
3	03-26-10	FOR RECORD
2	03-18-09	SGH, ARCH, C/S REV.
1	10-09-08	PER DSA COMMENTS

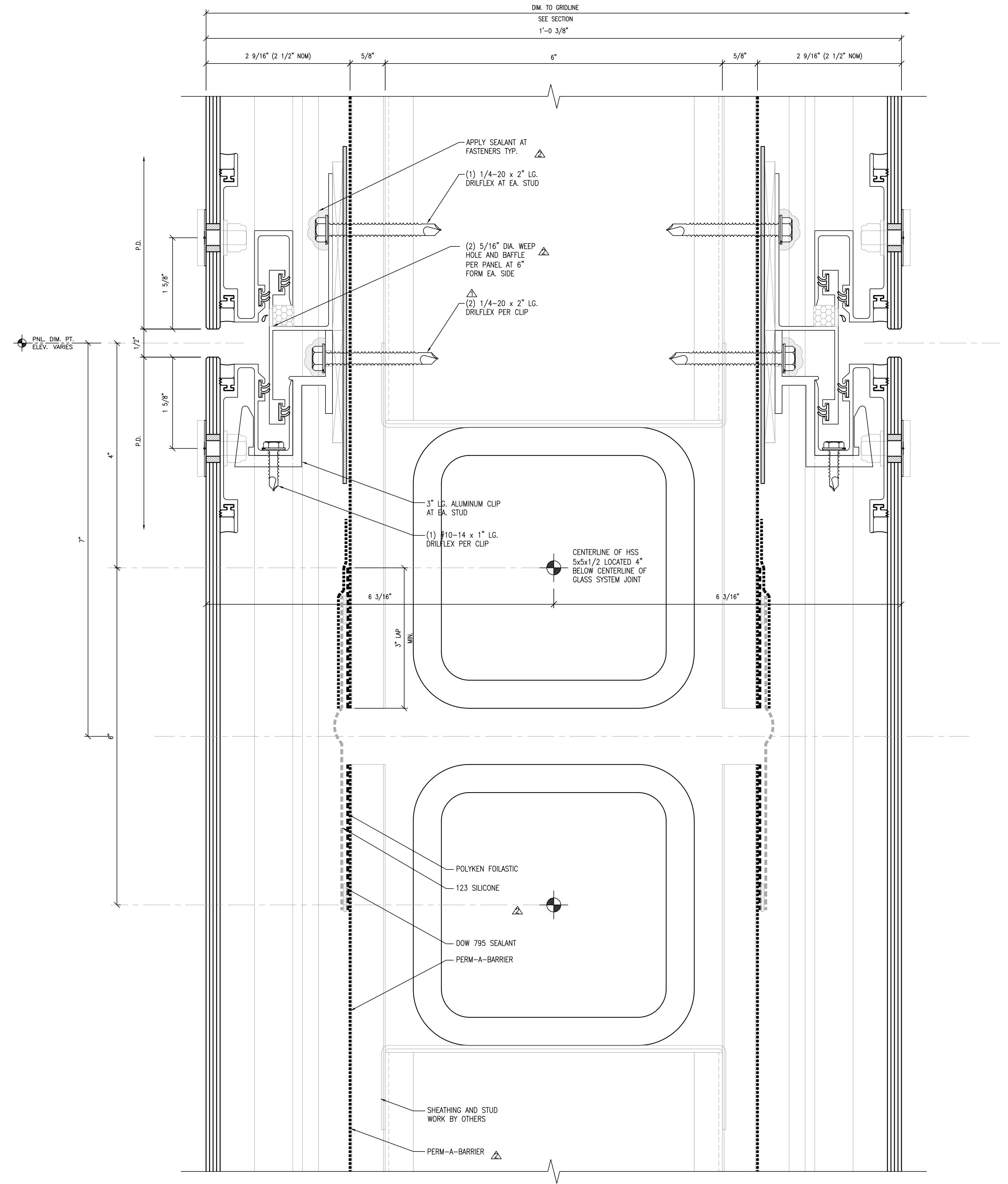
**COLLEGE OF SAN MATEO**  
**BUILDING 5N**  
 1700 WEST HILLSDALE BOULEVARD  
 SAN MATEO, CA. 94402

**C/S ERECTORS INC.** INSTALLER OF ARCHITECTURAL PANEL SYSTEMS  
 License No. 076606  
 2500 OLD CROFT CANYON RD. SUITE. 320  
 SAN MATEO, CA 94403  
 TEL: (925) 820-8113 FAX: (925) 820-8987

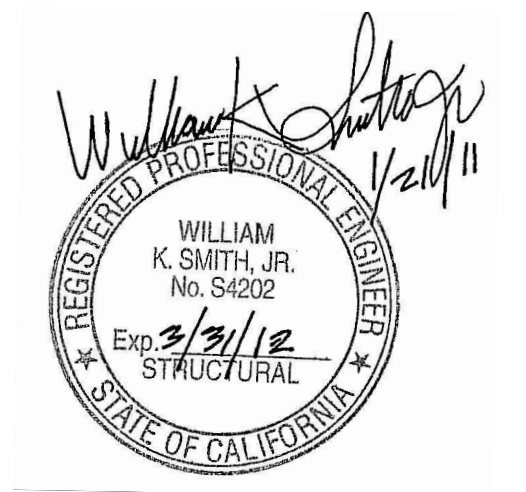
DATE: 05/30/08  
 SCALE: FULL  
 DRAWN BY: CDC  
 JOB #: D01065  
 SHEET # **ACH9.31D**  
 OF -- SHEETS



① TYP. GLASS PANEL JOINT AT FLY BY  
SCALE: FULL ARCH. REF.:



② GLASS PANEL JOINT AT FLY BY  
SCALE: FULL ARCH. REF.:



NO.	DATE	REVISION DESCRIPTION
4	10/15/10	AS BUILT
3	03-26-10	FOR RECORD
2	03-18-09	SGH, ARCH, C/S REV.
1	10-09-08	PER DSA COMMENTS

**COLLEGE OF SAN MATEO**  
**BUILDING 5N**  
 1700 WEST HILLSDALE BOULEVARD  
 SAN MATEO, CA. 94402

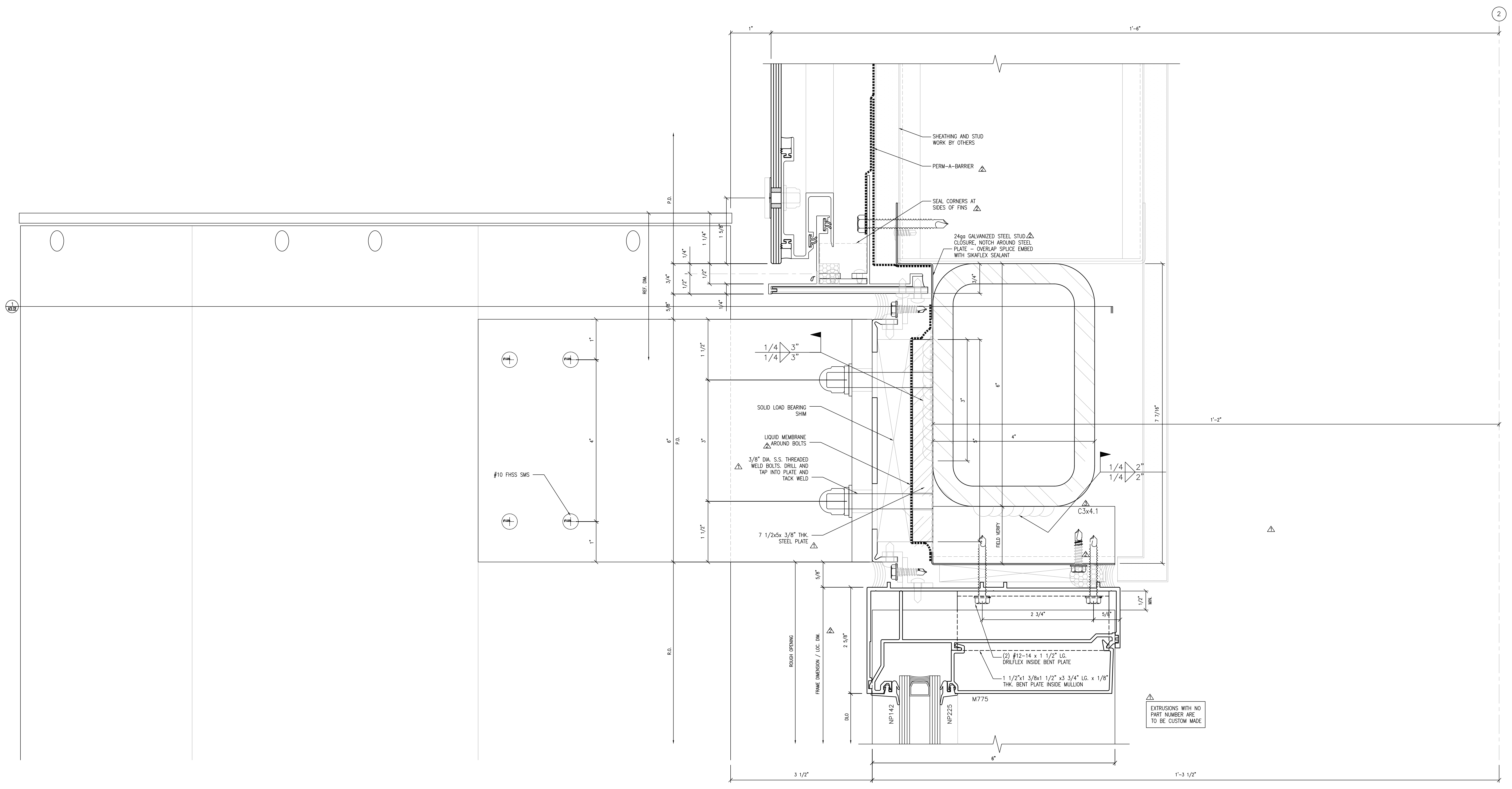
**C/S ERECTORS INC.** DETAILER OF ARCHITECTURAL PANEL SYSTEMS  
 License No. 076060

2500 OLD CROY CANYON RD., SUITE. 320  
 FOLSOM, CA 95630  
 TEL: (925) 820-8113 FAX: (925) 820-8987

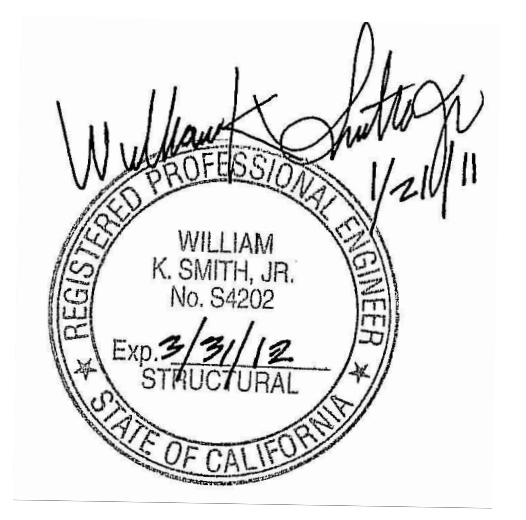
DATE: 05/30/08  
 SCALE: FULL  
 DRAWN BY: CDC  
 JOB #: D01065

SHEET #  
**ACH.31E**  
 OF -- SHEETS





1 METAL FIN CONNECTION AT STEEL TUBE  
 SCALE: FULL ARCH. REF.: 8/A9.31

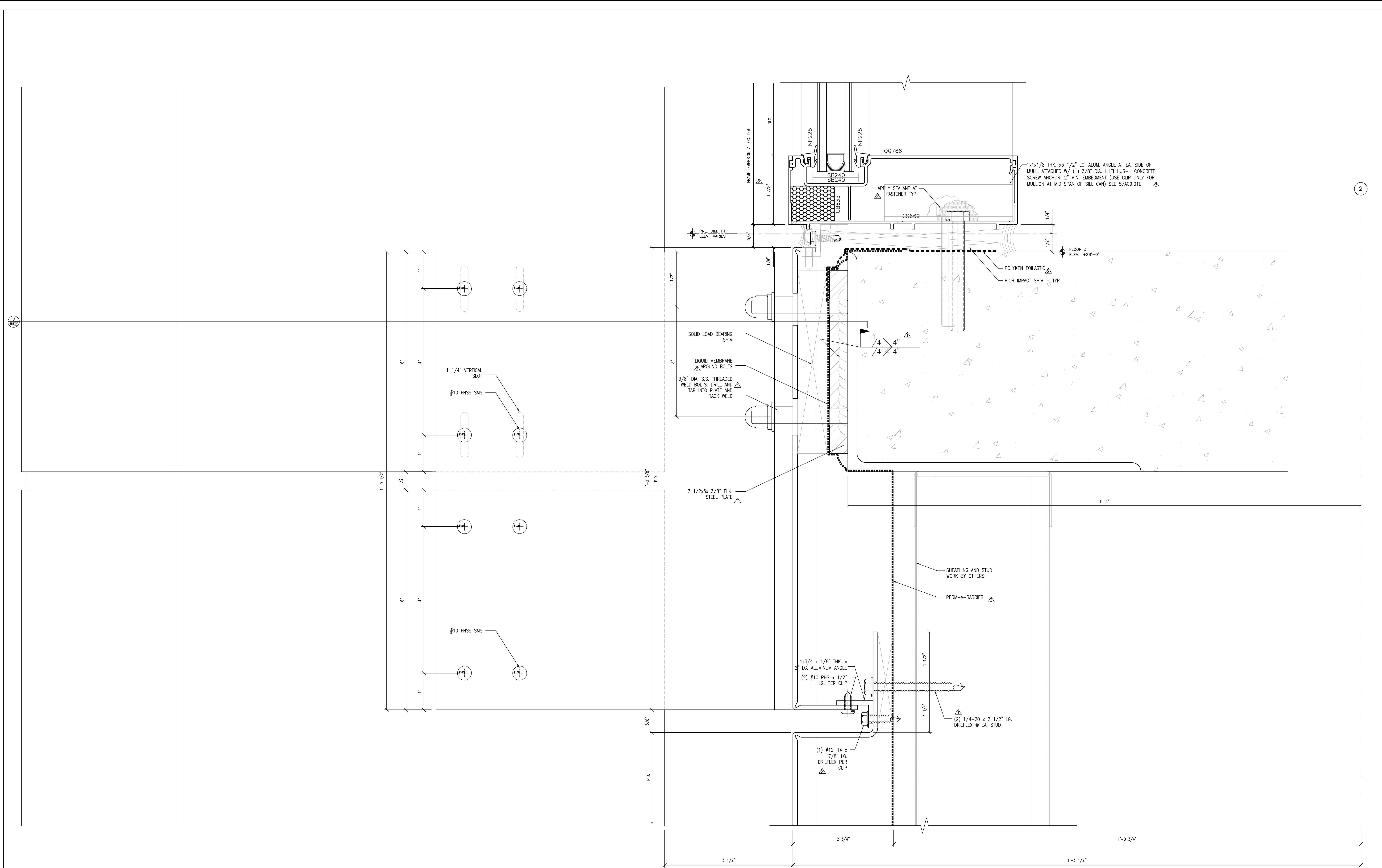


NO.	DATE	REVISION DESCRIPTION
5	10/15/10	AS BUILT
4	03-26-10	FOR RECORD
3	05-18-09	FOR CONSTRUCTION
2	03-18-09	SGH, ARCH, C/S REV.
1	10-09-08	PER DSA COMMENTS

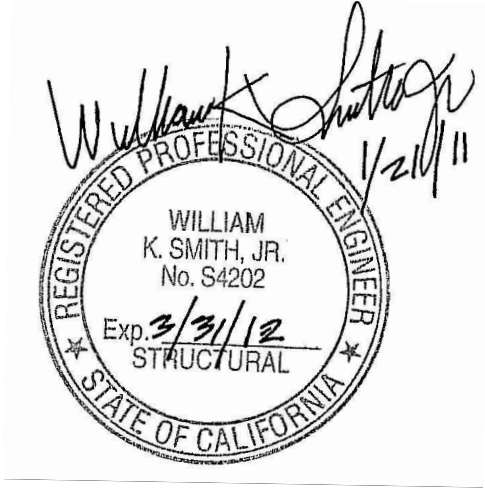
**COLLEGE OF SAN MATEO**  
**BUILDING 5N**  
 1700 WEST HILLSDALE BOULEVARD  
 SAN MATEO, CA. 94402

**C/S ERECTORS INC.** INSTALLER OF ARCHITECTURAL FRAME SYSTEMS  
 License No. 076066  
 2500 OLD CROY CANYON RD. SUITE. 320  
 SAN MATEO, CA 94403  
 TEL: (925) 830-8113 FAX: (925) 820-8987

DATE: 05/30/08  
 SCALE: FULL  
 DRAWN BY: CDC  
 JOB # D01065  
 SHEET # **AC9.31F**  
 OF -- SHEETS



1 METAL FIN CONNECTION AT FLOOR SLAB  
 SCALE: FULL ARCH. REF.: 7/A9.31

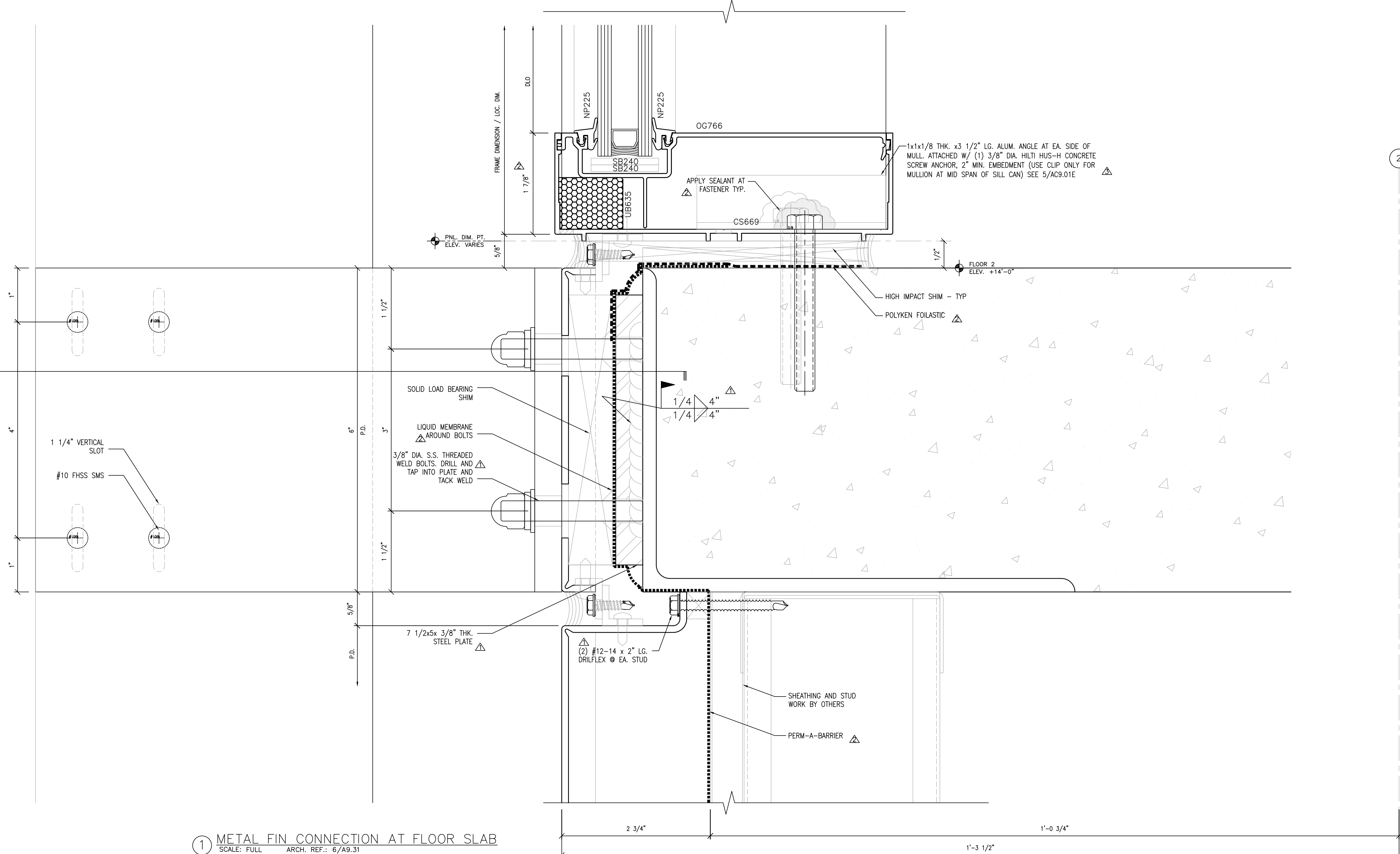
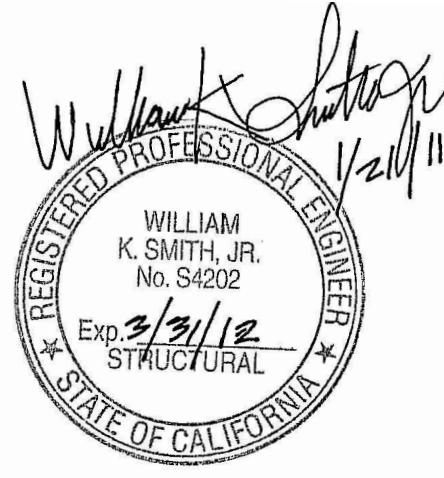


5	10/15/10	AS BUILT
4	03-26-10	FOR RECORD
3	05-18-09	FOR FABRICATION
2	03-18-09	SGH, ARCH, C/S REV.
1	10-09-08	PER DSA COMMENTS
NO.	DATE	REVISION DESCRIPTION

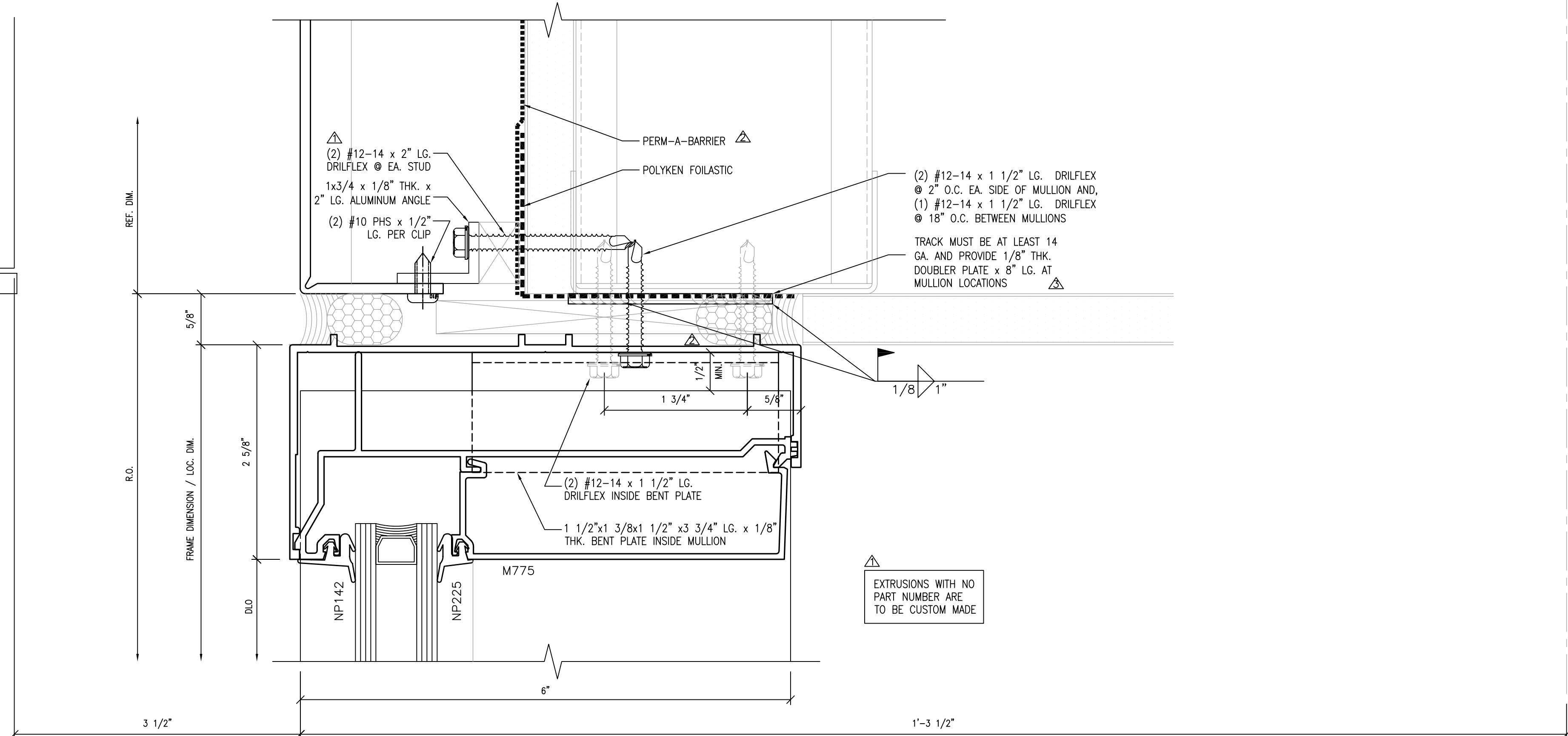
COLLEGE OF SAN MATEO  
 BUILDING 5N  
 1700 WEST HILLSDALE BOULEVARD  
 SAN MATEO, CA. 94402

C/S ERECTORS INC. DIVISION OF ARCHITECTURAL FRAME SYSTEMS  
 License No. 070606  
 2500 OLD CROY CANYON RD. SUITE. 320  
 FOLSOM, CA 95630  
 TEL: (925) 830-6113 FAX: (925) 820-6987

DATE: 05/30/08  
 SCALE: FULL  
 DRAWN BY: CDC  
 JOB #: D01065  
 SHEET # AC9.31G  
 OF -- SHEETS



1 METAL FIN CONNECTION AT FLOOR SLAB  
SCALE: FULL ARCH. REF.: 6/A9.31



2 BOTTOM OF METAL FIN  
SCALE: FULL ARCH. REF.: 5/A9.31

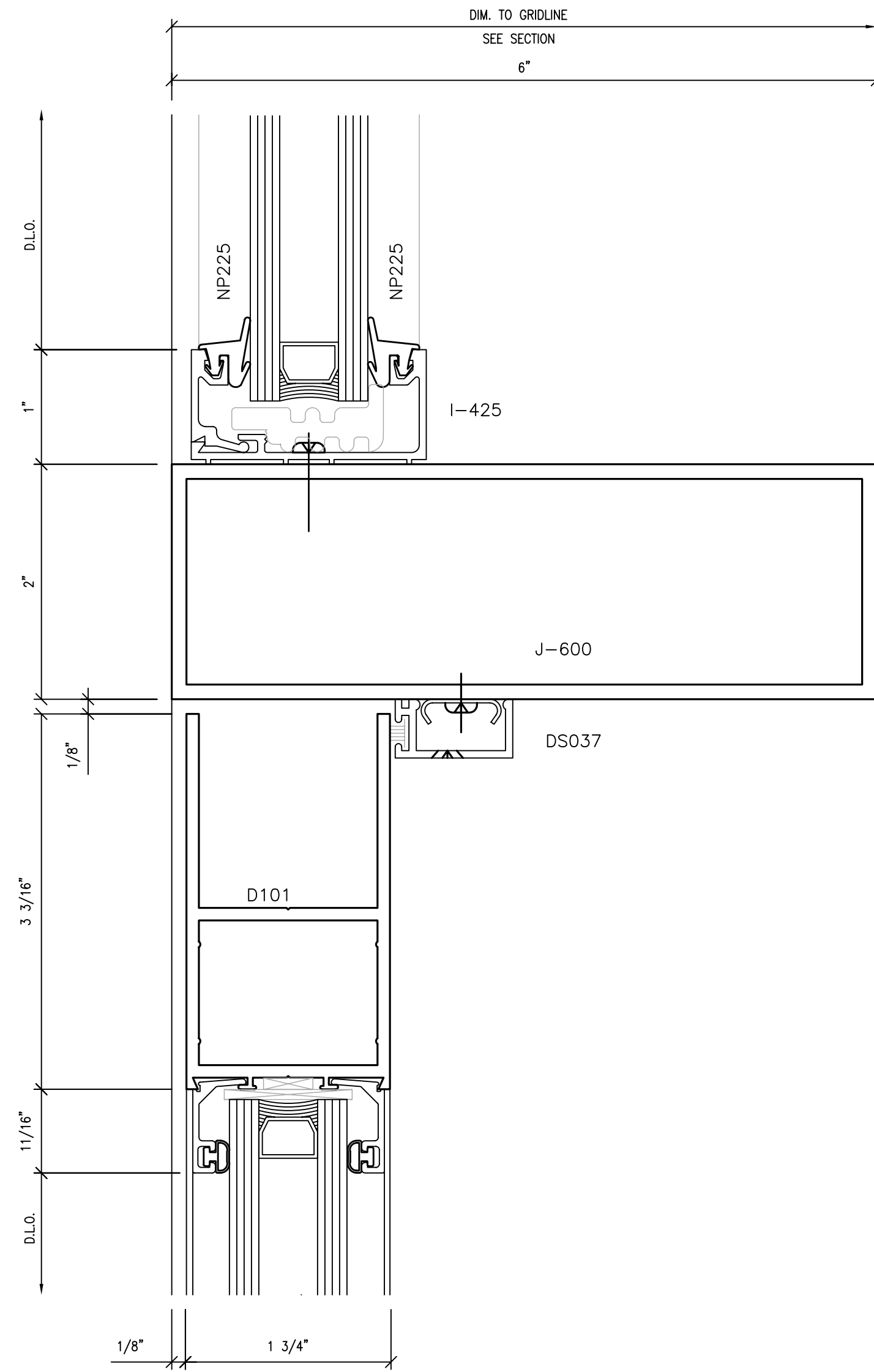
NO.	DATE	REVISION DESCRIPTION
5	10/15/10	AS BUILT
4	03-26-10	FOR RECORD
3	05-18-09	FOR CONSTRUCTION
2	03-18-09	SGH, ARCH, C/S REV.
1	10-09-08	PER DSA COMMENTS

**COLLEGE OF SAN MATEO**  
**BUILDING 5N**  
 1700 WEST HILLSDALE BOULEVARD  
 SAN MATEO, CA. 94402

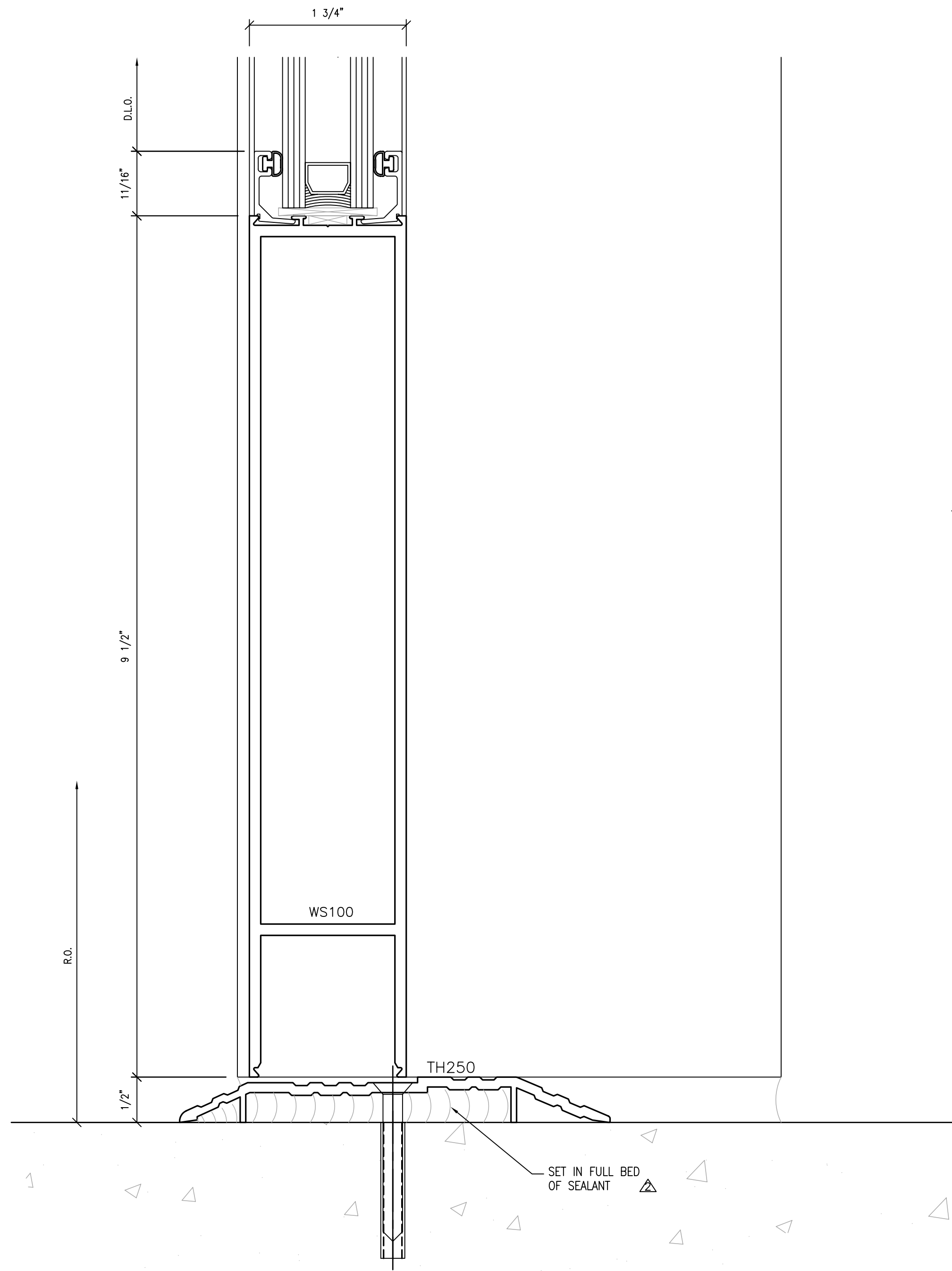
**C/S Erectors Inc.** INSTALLER OF ARCHITECTURAL FINISH SYSTEMS  
 License No. 070606  
 2500 OLD CROFT CANYON RD., SUITE. 320  
 SAN MATEO, CA 94403  
 TEL: (925) 830-8113 FAX: (925) 820-8987

DATE: 05/30/08  
 SCALE: FULL  
 DRAWN BY: CDC  
 JOB #: D01065

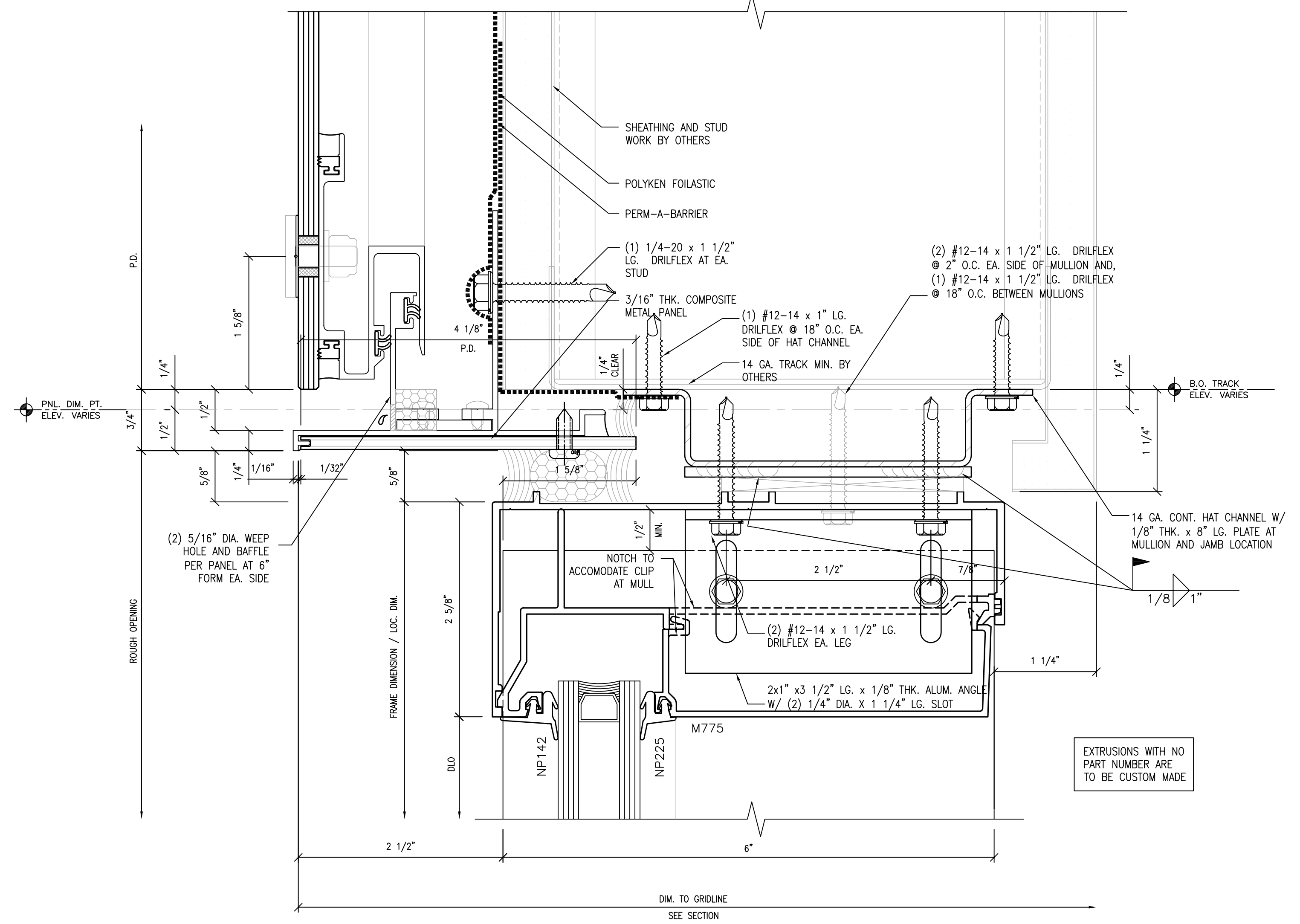
SHEET #  
**AC9.31H**  
 OF -- SHEETS



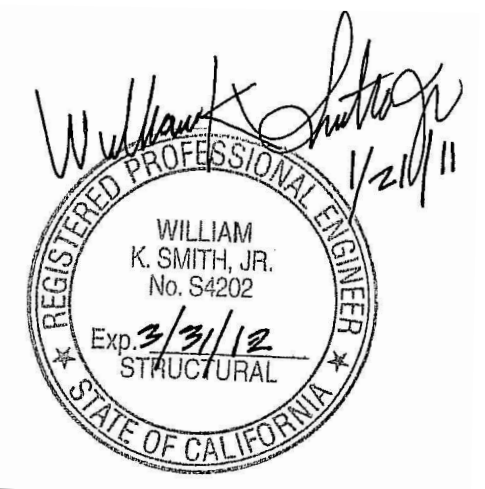
1 DOOR HEAD DETAIL  
SCALE: FULL ARCH. REF.:



2 DOOR SILL DETAIL  
SCALE: FULL ARCH. REF.:



3 HEAD DETAIL @ GLASS PANEL  
SCALE: FULL ARCH. REF.:



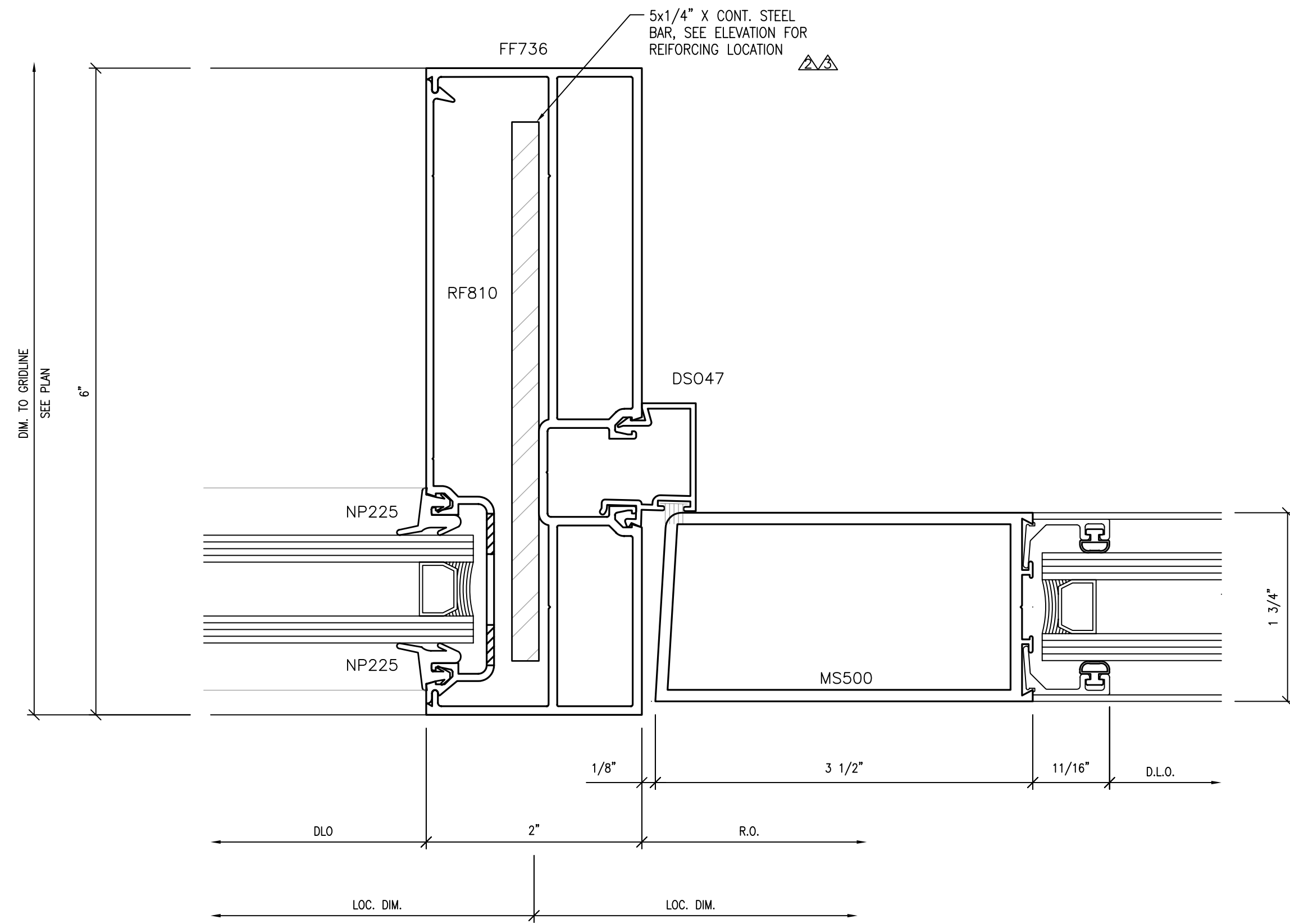
NO.	DATE	REVISION DESCRIPTION
5	10/15/10	AS BUILT
4	03-26-10	FOR RECORD
3	05-18-09	FOR CONSTRUCTION
2	03-18-09	SGH, ARCH., C/S REV.
-	-	-

COLLEGE OF SAN MATEO  
BUILDING 5N  
1700 WEST HILLSDALE BOULEVARD  
SAN MATEO, CA. 94402

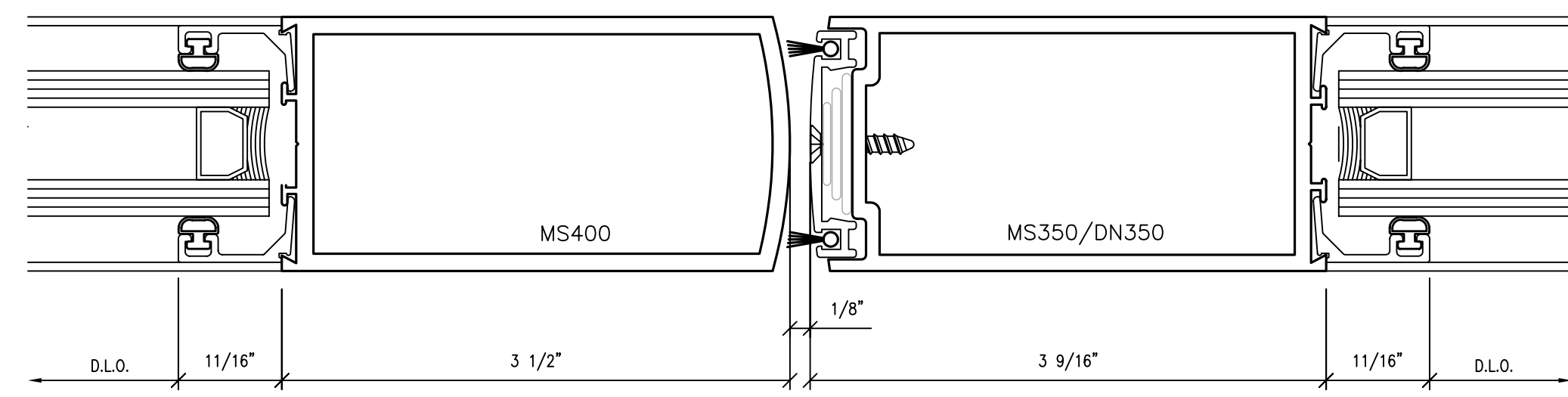
C/S Erectors Inc. DIVISION OF ARCHITECTURAL FRAME SYSTEMS  
License No. 070000  
2500 OLD CROFT CANYON RD. SUITE. 320  
SAN MATEO, CA 94403  
TEL: (925) 830-8113 FAX: (925) 820-8987

DATE: 05/30/08  
SCALE: FULL  
DRAWN BY: CDC  
JOB #: D01065

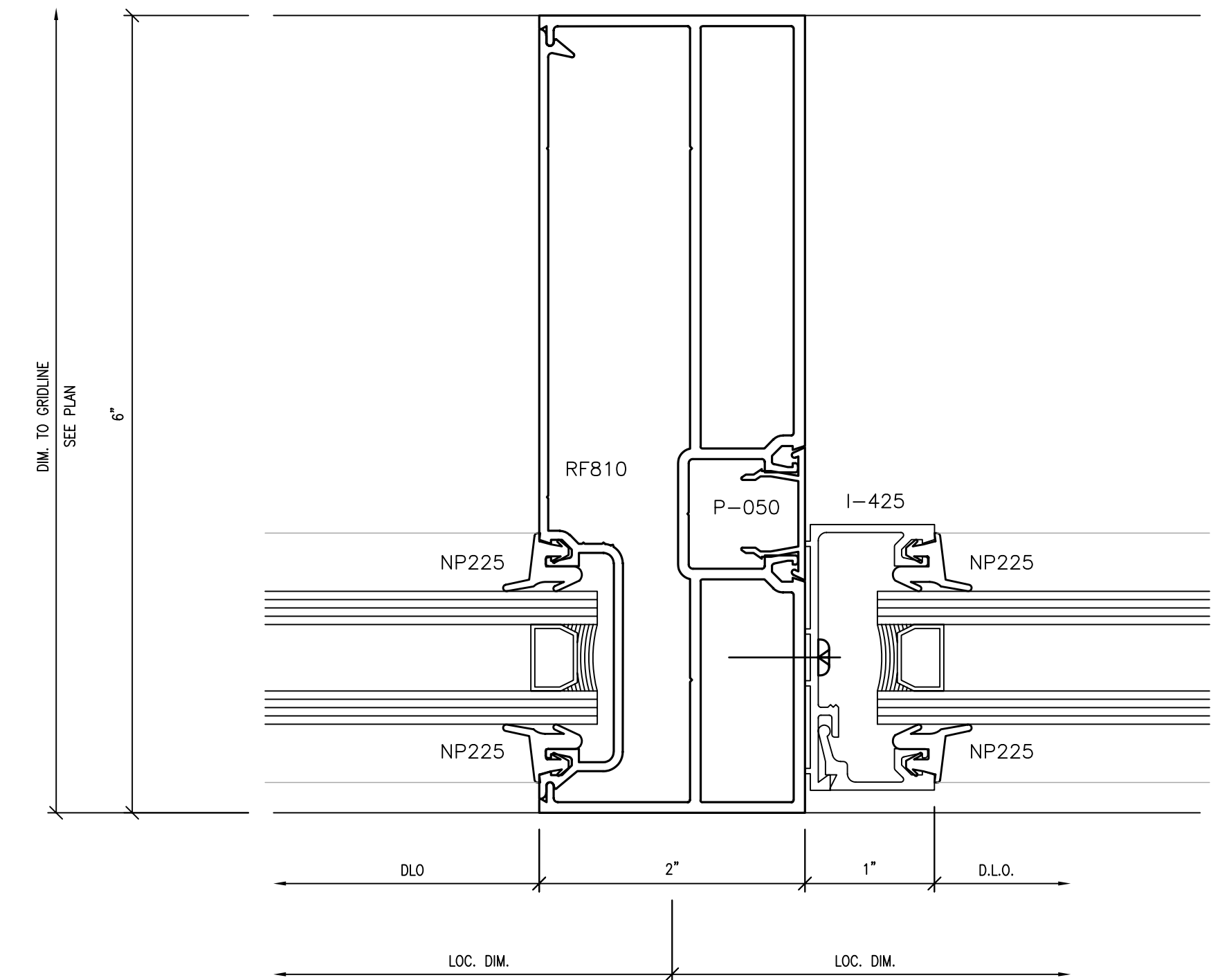
SHEET #  
ACH.31J  
OF -- SHEETS



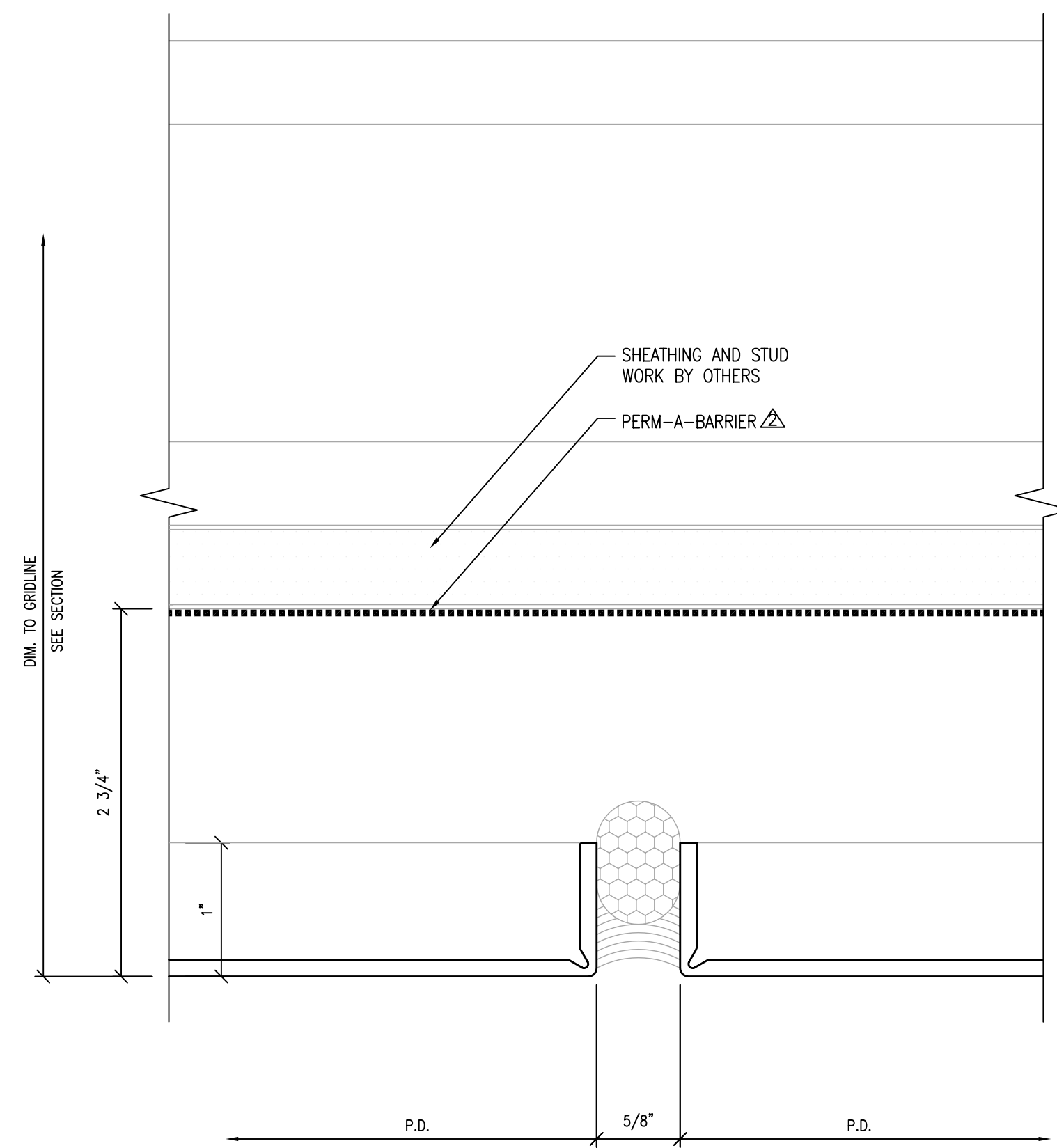
1 DOOR JAMB  
SCALE: FULL



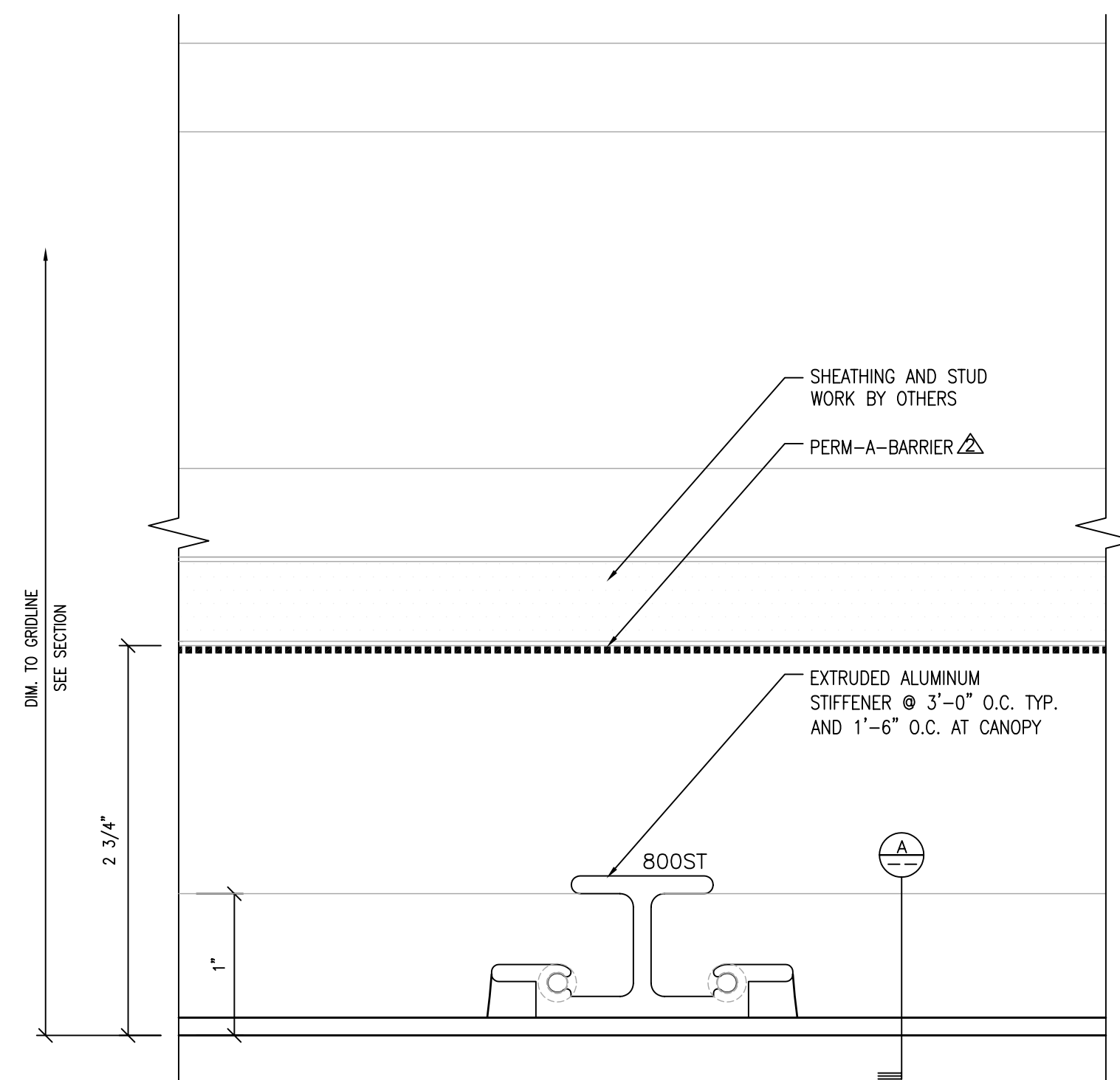
2 MEETING STILE DETAIL  
SCALE: FULL



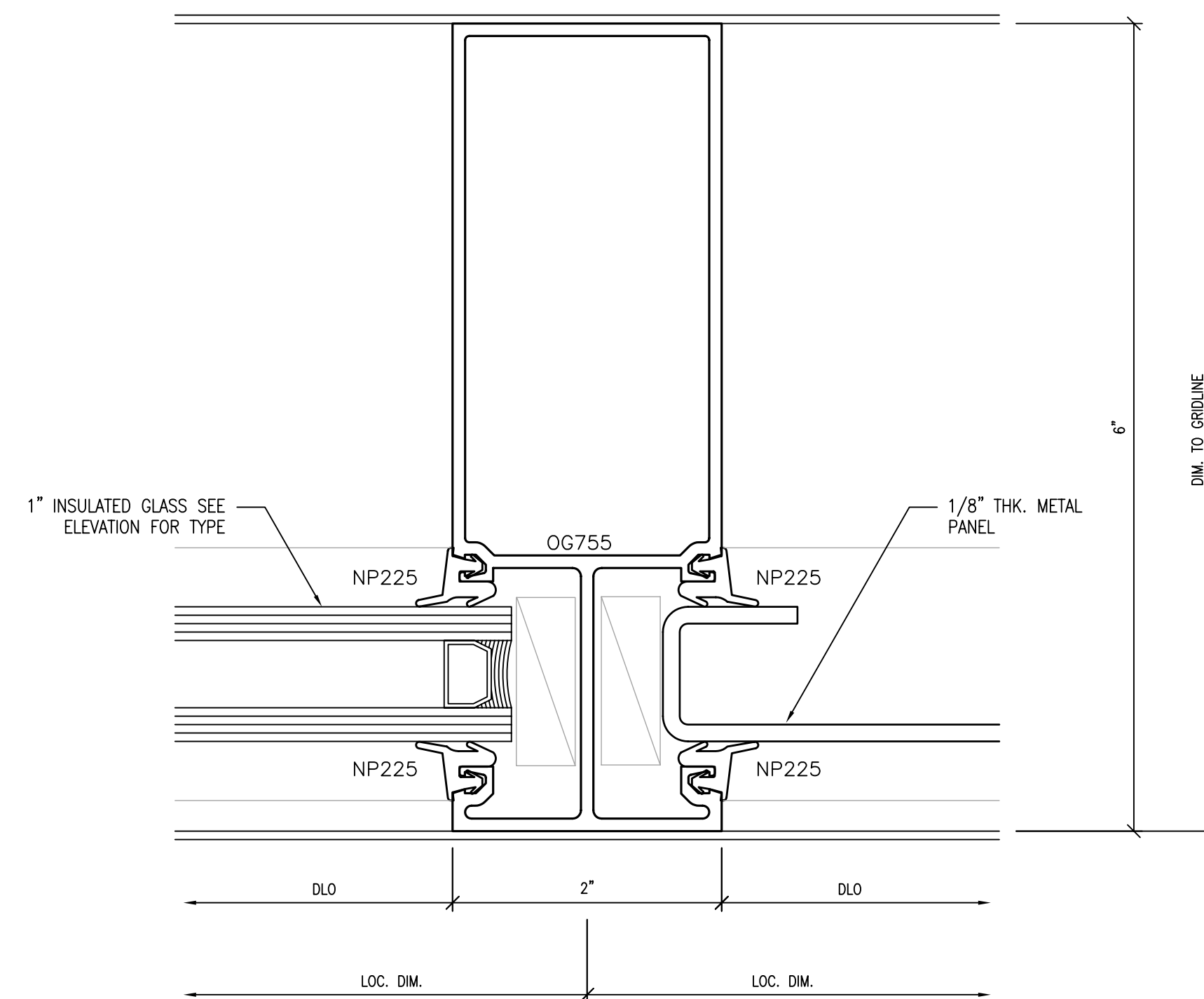
3 VERTICAL INTERMEDIATE  
SCALE: FULL



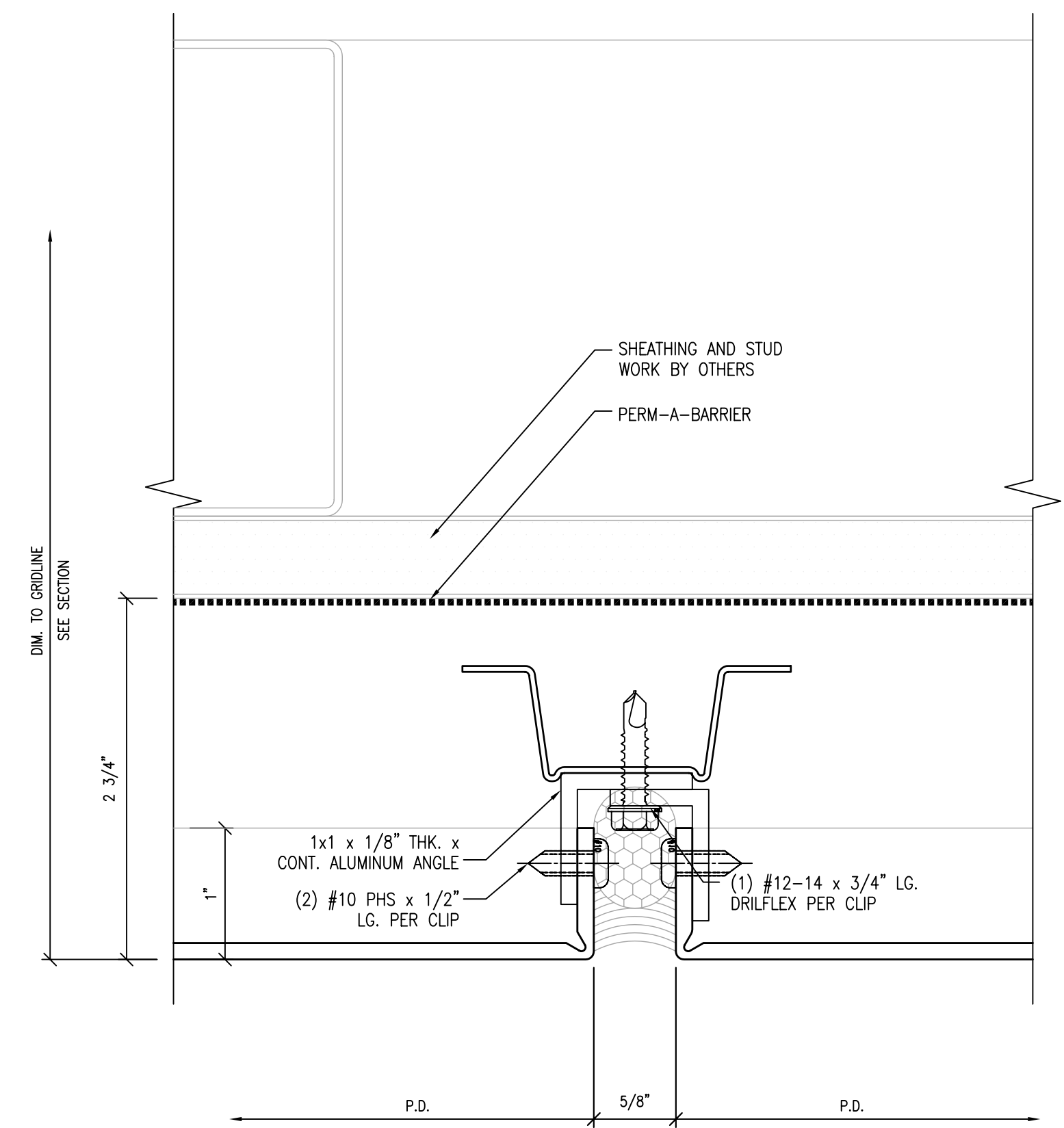
4 TYP. METAL PANEL JT.  
SCALE: FULL ARCH. REF.:



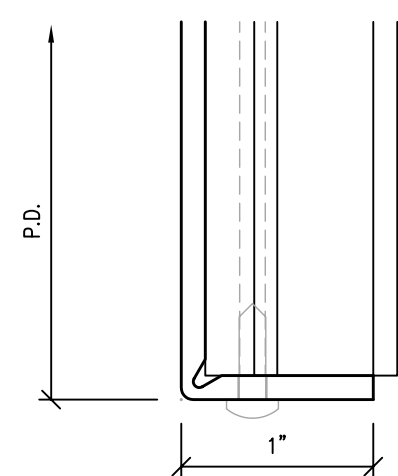
5 METAL PANEL STIFFENER  
SCALE: FULL ARCH. REF.:



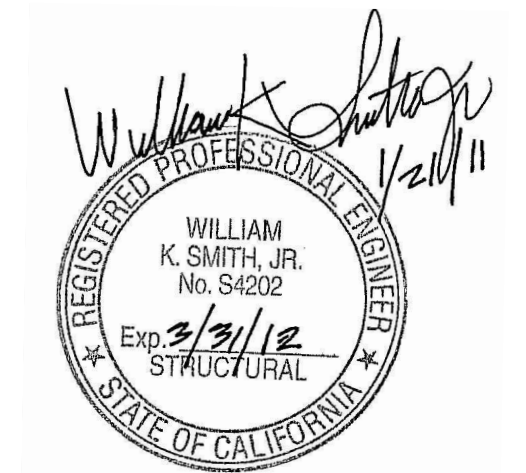
6 VERTICAL INTERMEDIATE  
SCALE: FULL



7 TYP. METAL PANEL JT.  
SCALE: FULL ARCH. REF.:



A STIFFENER ATTACHMENT  
SCALE: FULL ARCH. REF.:

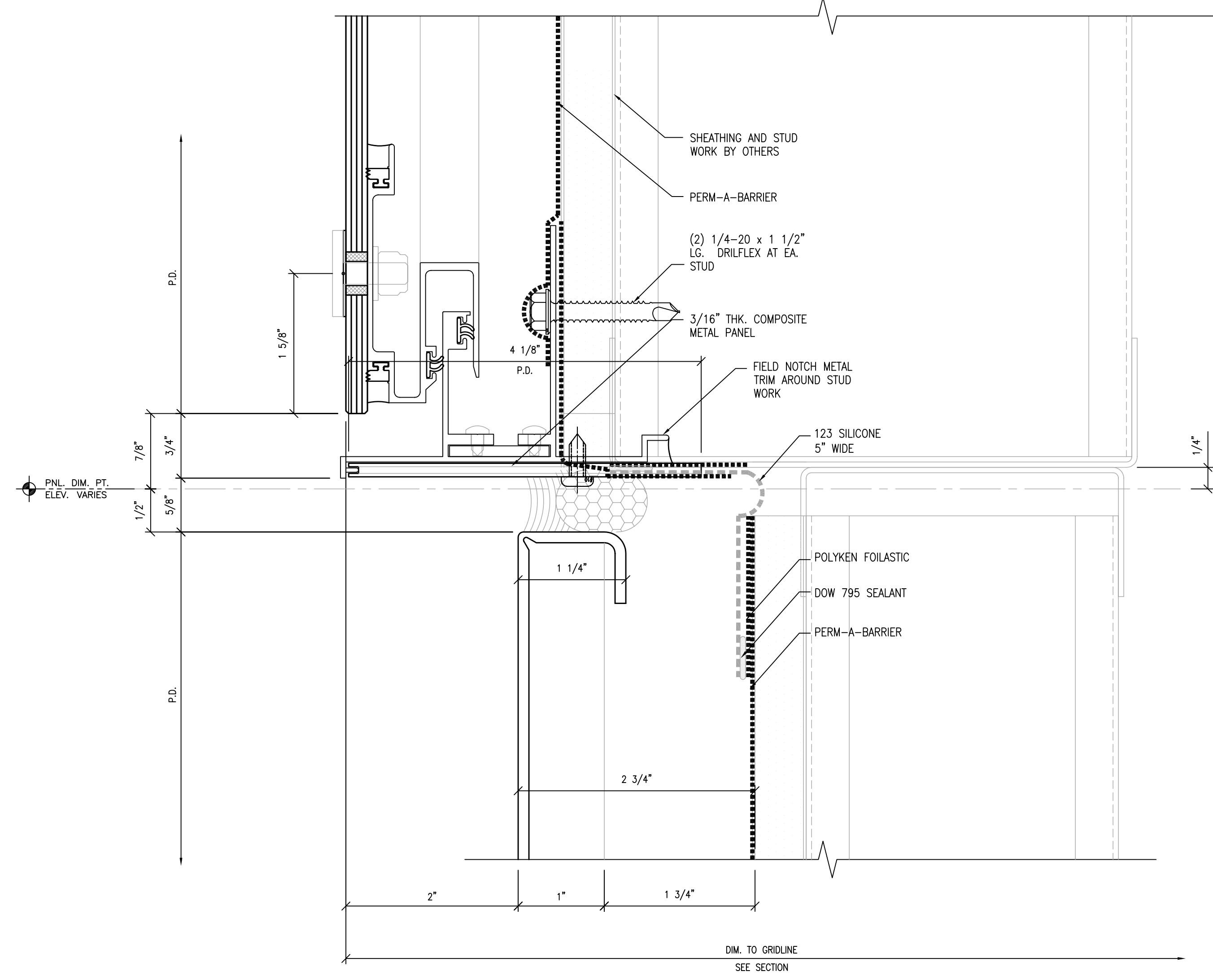


NO.	DATE	REVISION DESCRIPTION
5	10/15/10	AS BUILT
4	03-26-10	FOR RECORD
3	05-18-09	FOR CONSTRUCTION
2	03-18-09	SGH, ARCH., C/S REV.
-	-	-

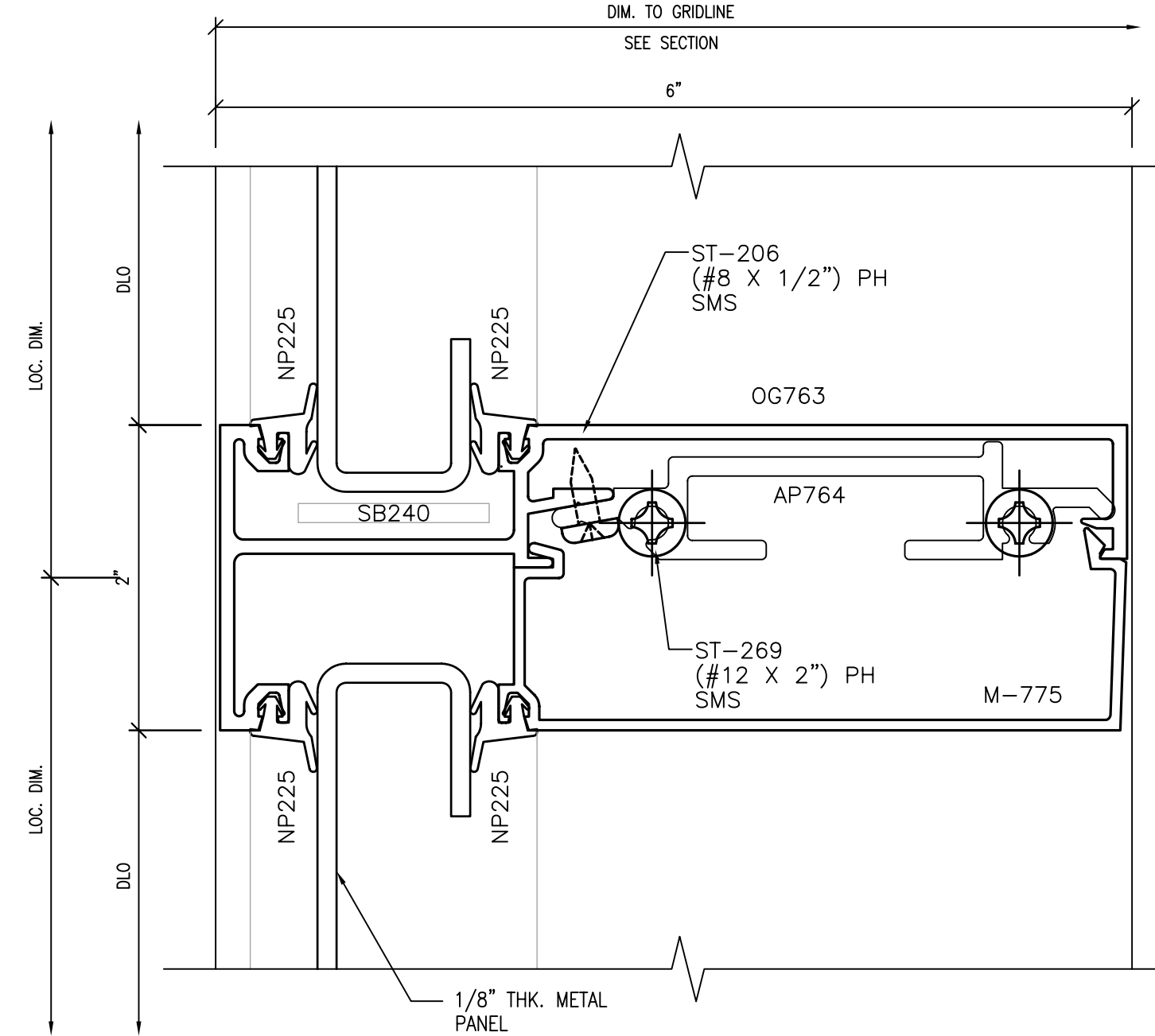
COLLEGE OF SAN MATEO  
BUILDING 5N  
1700 WEST HILLSDALE BOULEVARD  
SAN MATEO, CA. 94402

C/S ERECTORS INC. INSTALLERS OF ARCHITECTURAL FRAME SYSTEMS  
License No. 076060  
2500 OLD CANYON RD., SUITE. 320  
SAN MATEO, CA 94403  
TEL: (925) 820-8113 FAX: (925) 820-6987

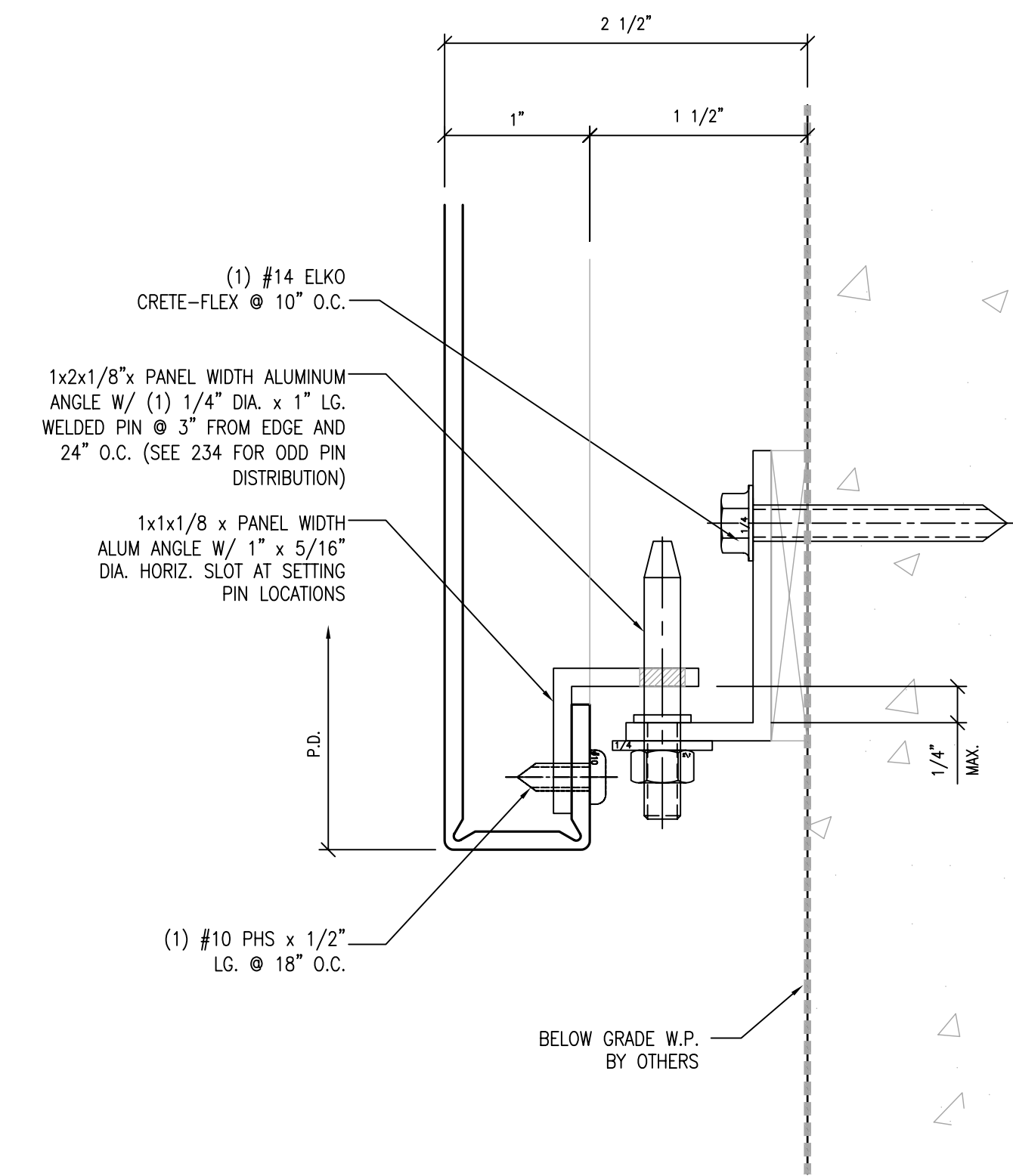
DATE: 05/30/08  
SCALE: FULL  
DRAWN BY: CDC  
JOB #: D01065  
SHEET #  
AC9.31K  
OF -- SHEETS



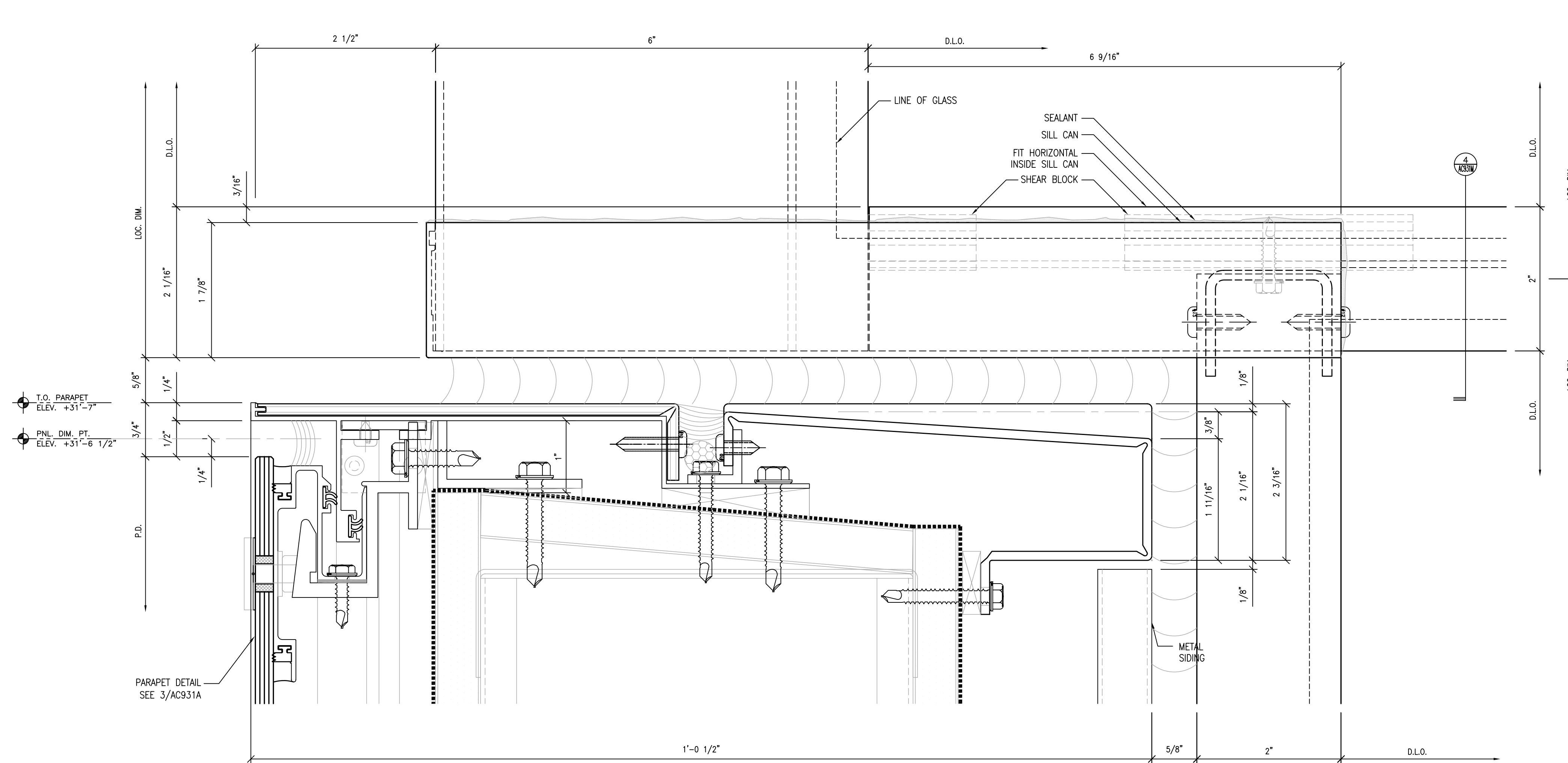
① GLASS PANEL / METAL PANEL JT.  
SCALE: FULL ARCH. REF.:



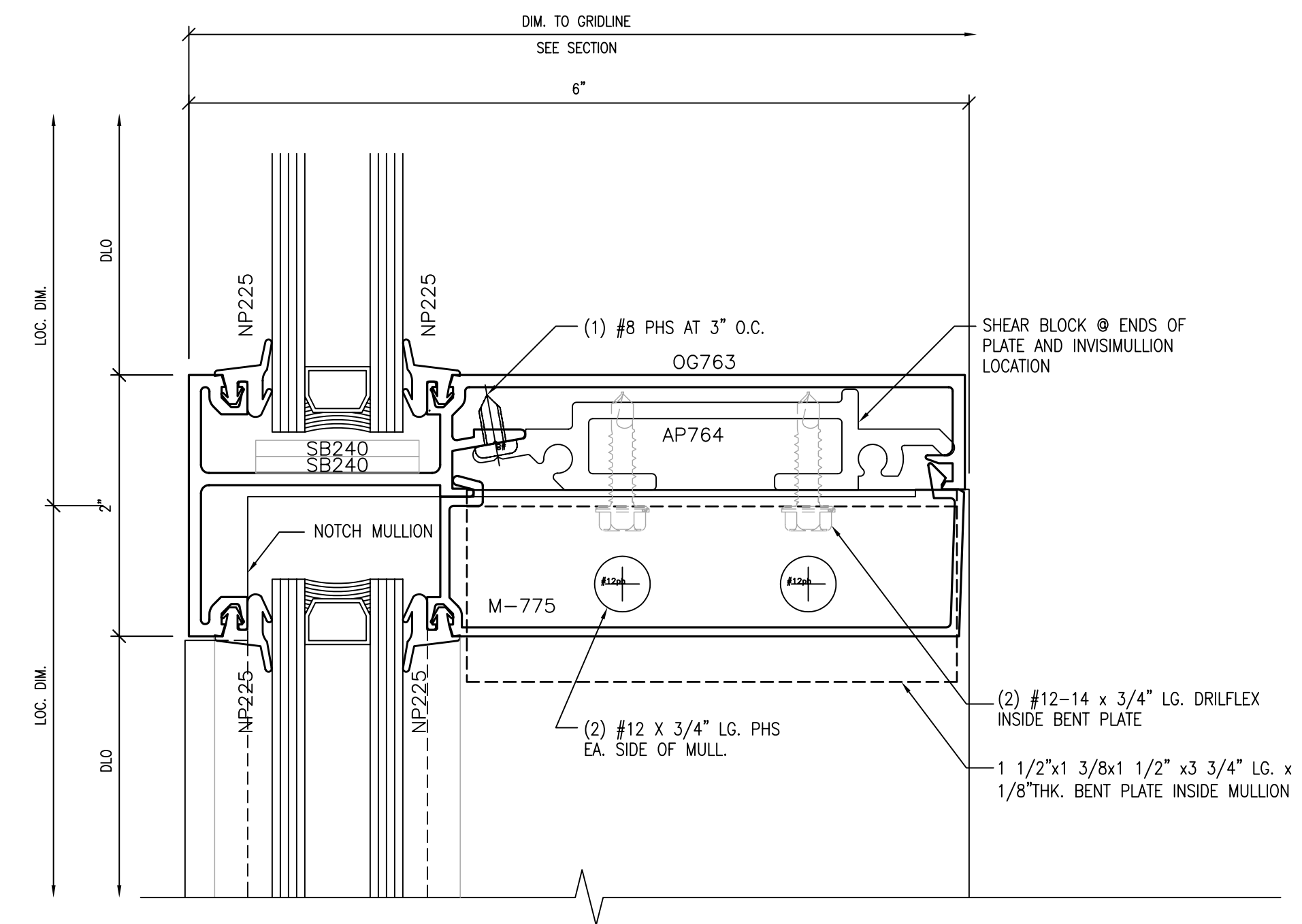
② TYP. HORIZONTAL INTERMEDIATE  
SCALE: FULL ARCH. REF.: 2/A9.02



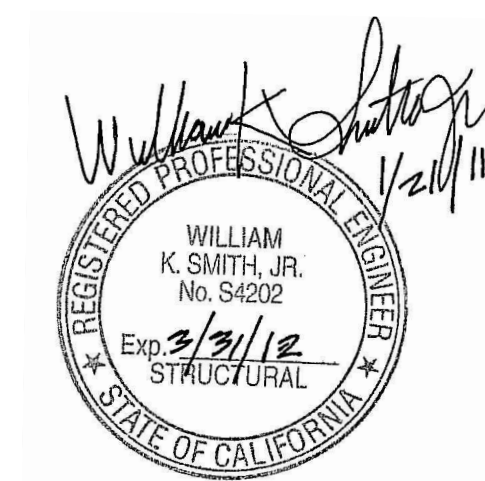
⑤ METAL PANEL CONNECTION  
SCALE: FULL ARCH. REF.:



③ CORNER AT TERRACE  
SCALE: FULL ARCH. REF.:



④ HORIZONTAL AT TERRACE  
SCALE: FULL ARCH. REF.:



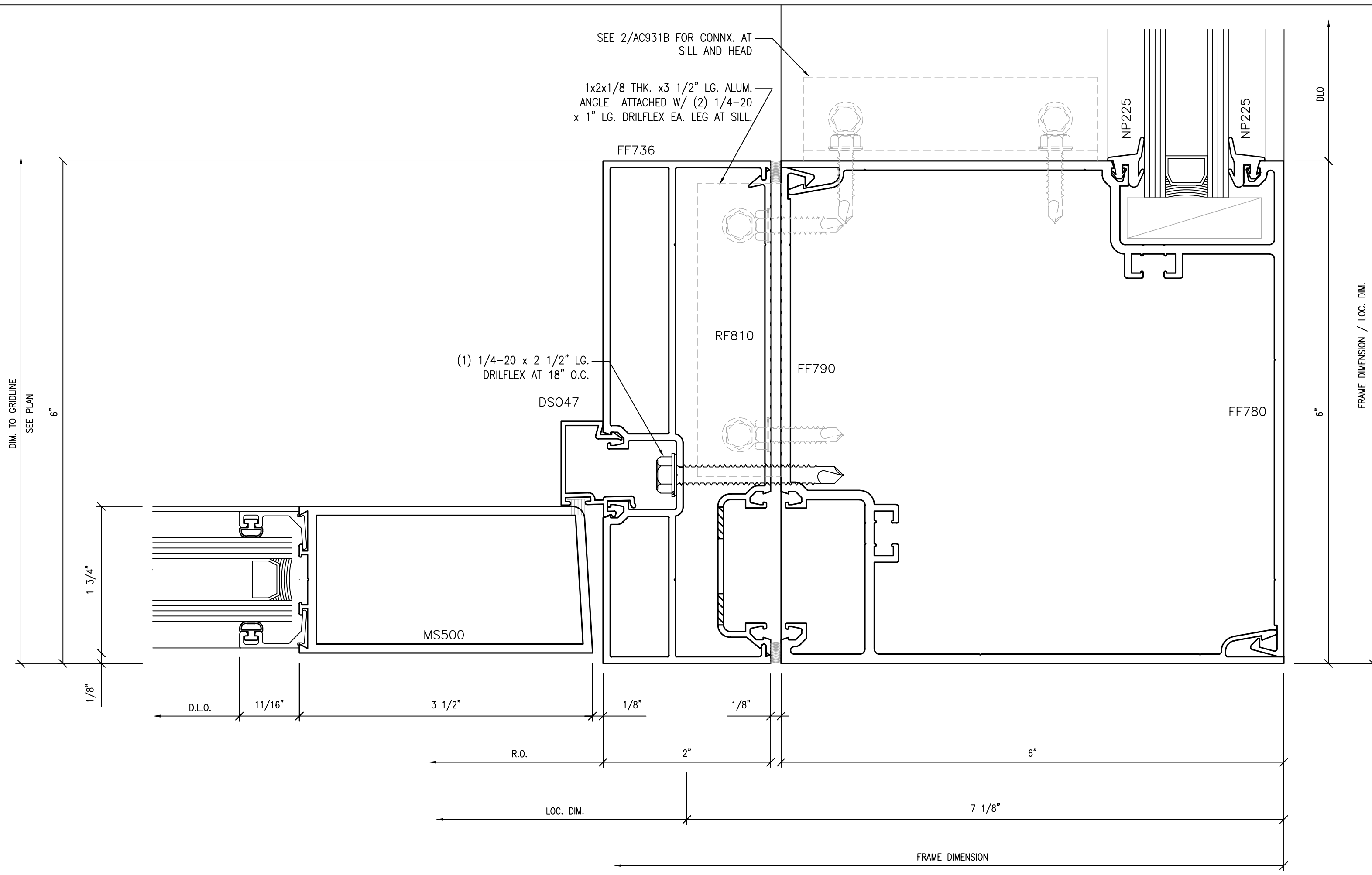
NO.	DATE	REVISION DESCRIPTION
3	10/15/10	AS BUILT
2	03-26-10	FOR RECORD
1	05-18-09	FOR CONSTRUCTION

COLLEGE OF SAN MATEO  
BUILDING 5N  
1700 WEST HILLSDALE BOULEVARD  
SAN MATEO, CA. 94402

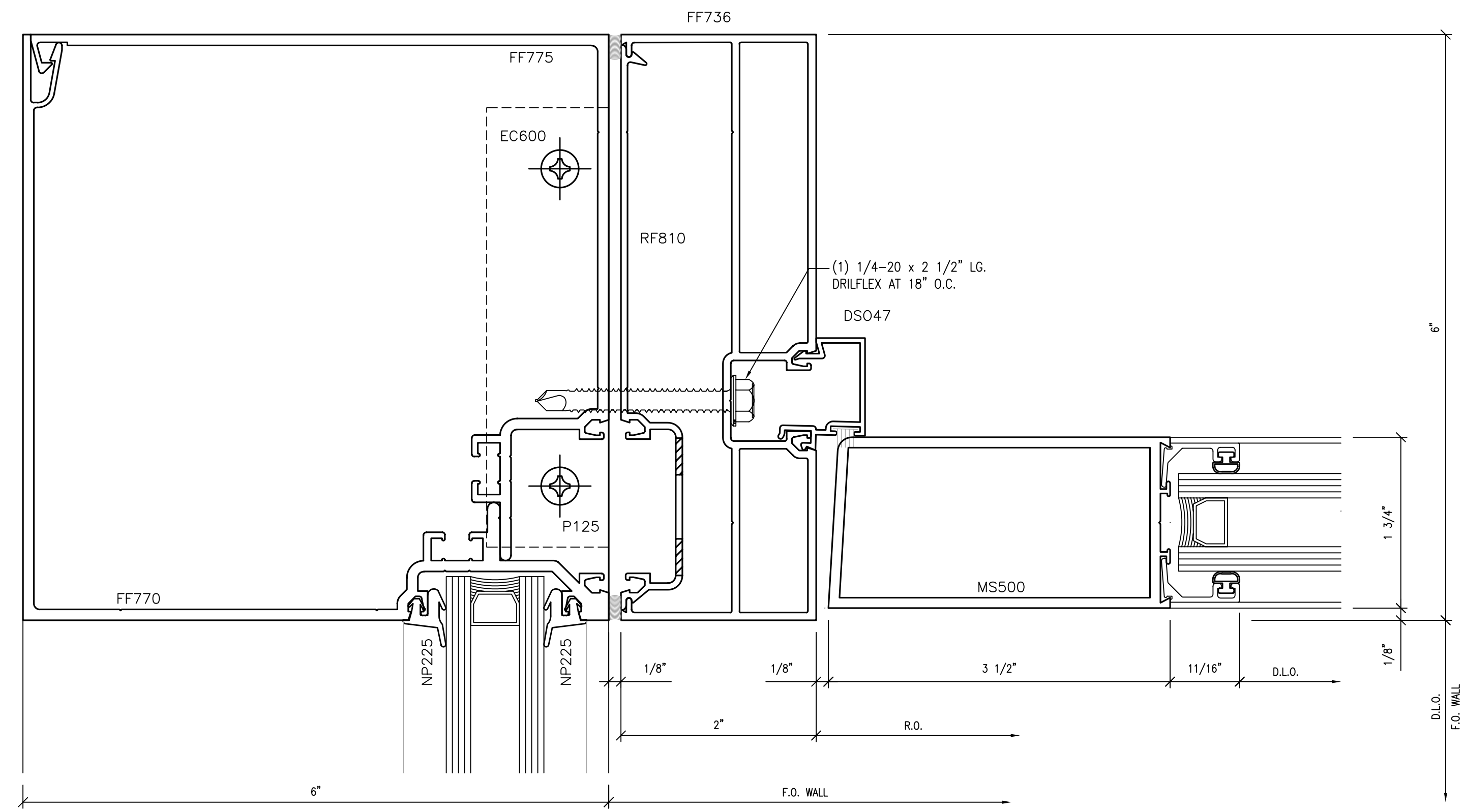
C/S Erectors Inc. INSTALLER OF ARCHITECTURAL FRAME SYSTEMS  
License No. 076060  
2500 OLD CROFT CANYON RD. SUITE. 320  
REDWOOD CITY, CA 94061  
TEL: (650) 820-8113 FAX: (650) 820-6987

DATE: 03/18/09  
SCALE: FULL  
DRAWN BY: CDC  
JOB #: D01065

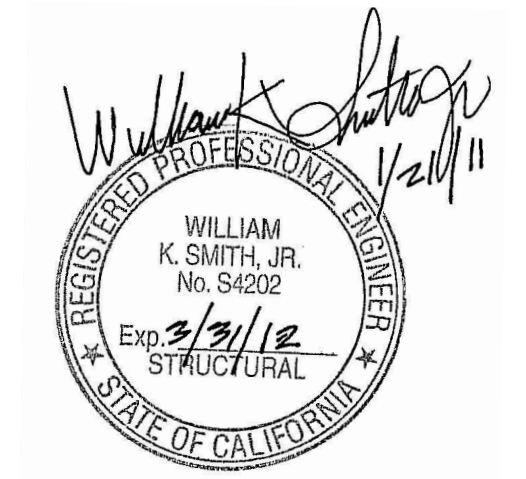
SHEET #  
AC9.31L  
OF -- SHEETS



① DOOR JAMB AT OUTSIDE CORNER  
SCALE: FULL ARCH. REF.:



② DOOR JAMB AT INSIDE CORNER  
SCALE: FULL ARCH. REF.:



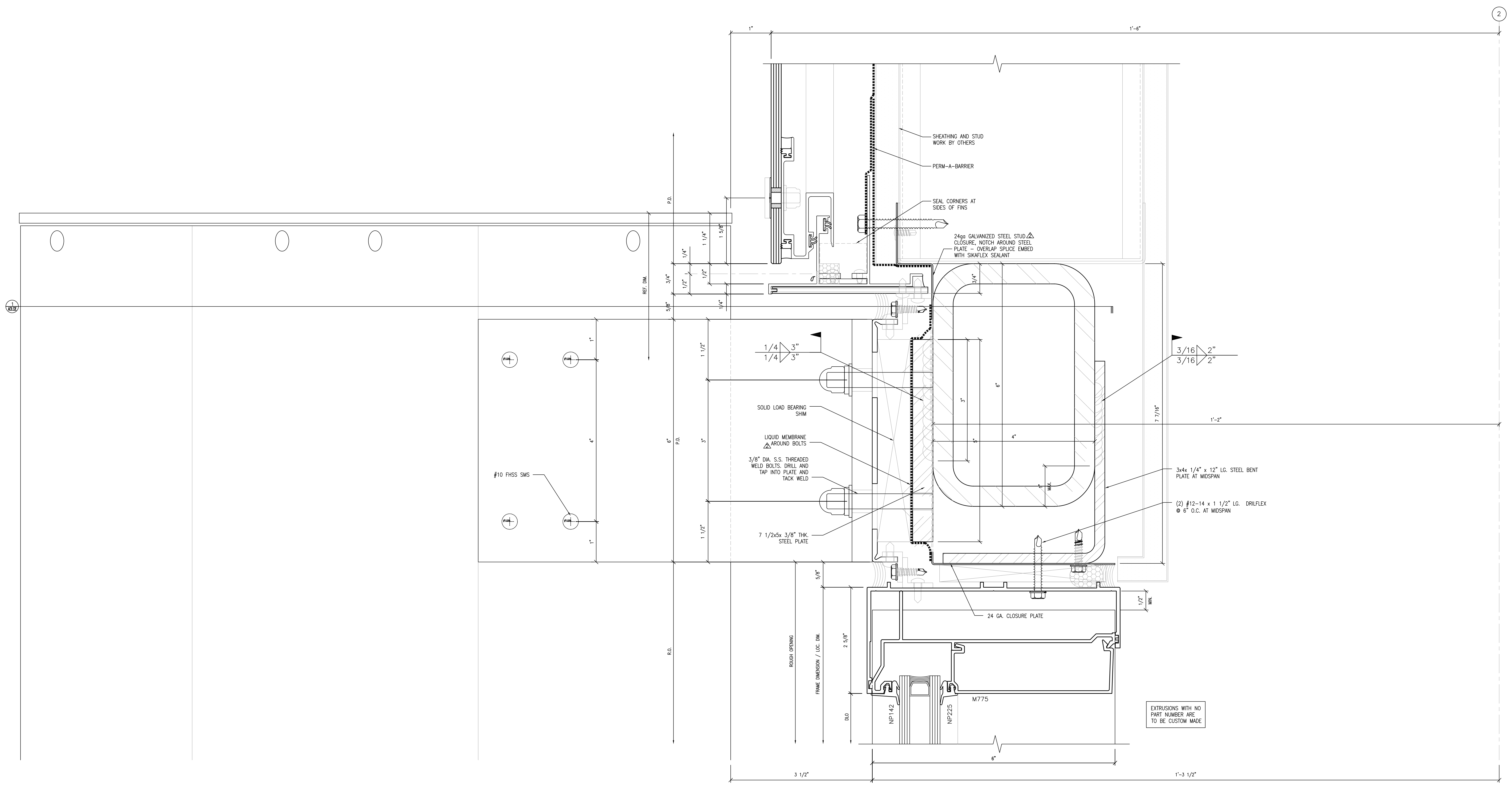
NO.	DATE	REVISION DESCRIPTION
3	10/15/10	AS BUILT
2	03-26-10	FOR RECORD
1	05-18-09	FOR CONSTRUCTION

**COLLEGE OF SAN MATEO**  
**BUILDING 5N**  
 1700 WEST HILLSDALE BOULEVARD  
 SAN MATEO, CA. 94402

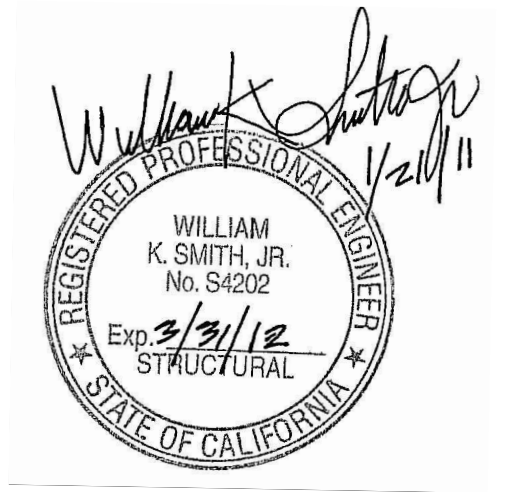
**C/S ERECTORS INC.** DIVISION OF ARCHITECTURAL FRAME SYSTEMS  
 License No. 07000  
 2500 OLD CROFT CANYON RD., SUITE. 320  
 SAN MATEO, CA 94403  
 TEL: (925) 820-8113 FAX: (925) 820-8987

DATE: 03/18/09  
 SCALE: FULL  
 DRAWN BY: CDC  
 JOB # D01065

SHEET #  
**AC9.31M**  
 OF -- SHEETS



1 METAL FIN CONNECTION AT STEEL TUBE  
 SCALE: FULL ARCH. REF.: 8/A9.31



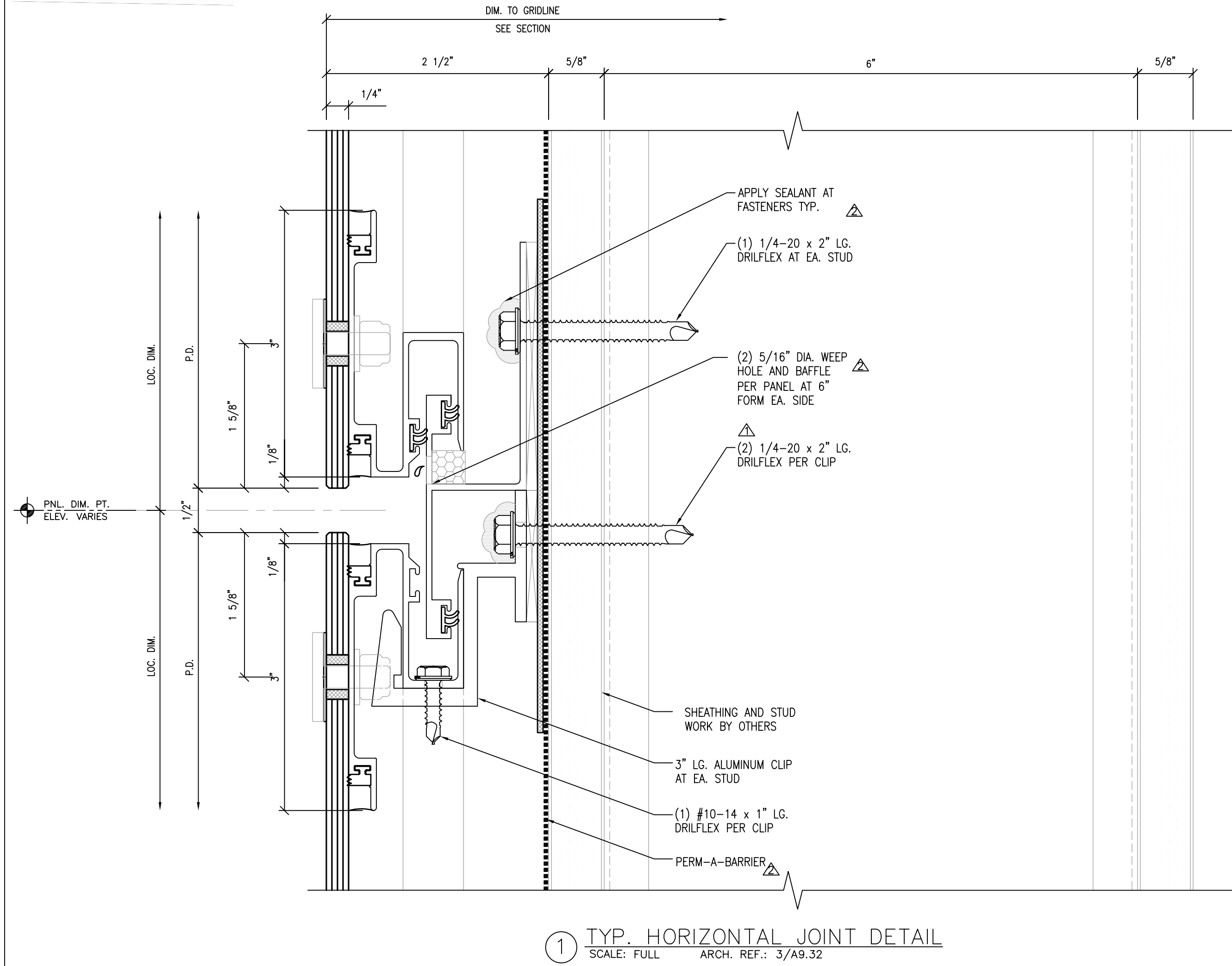
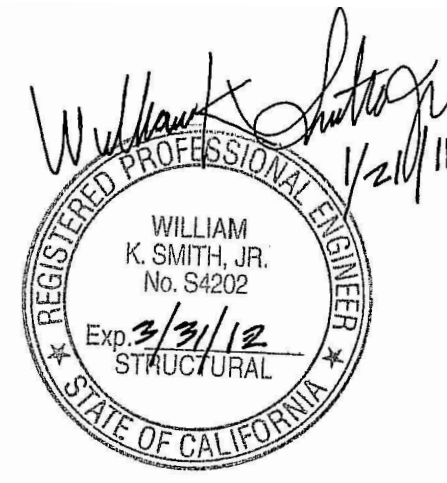
NO.	DATE	REVISION DESCRIPTION
2	10/15/10	AS BUILT
1	03-28-10	FOR RECORD

**COLLEGE OF SAN MATEO**  
**BUILDING 5N**  
 1700 WEST HILLSDALE BOULEVARD  
 SAN MATEO, CA. 94402

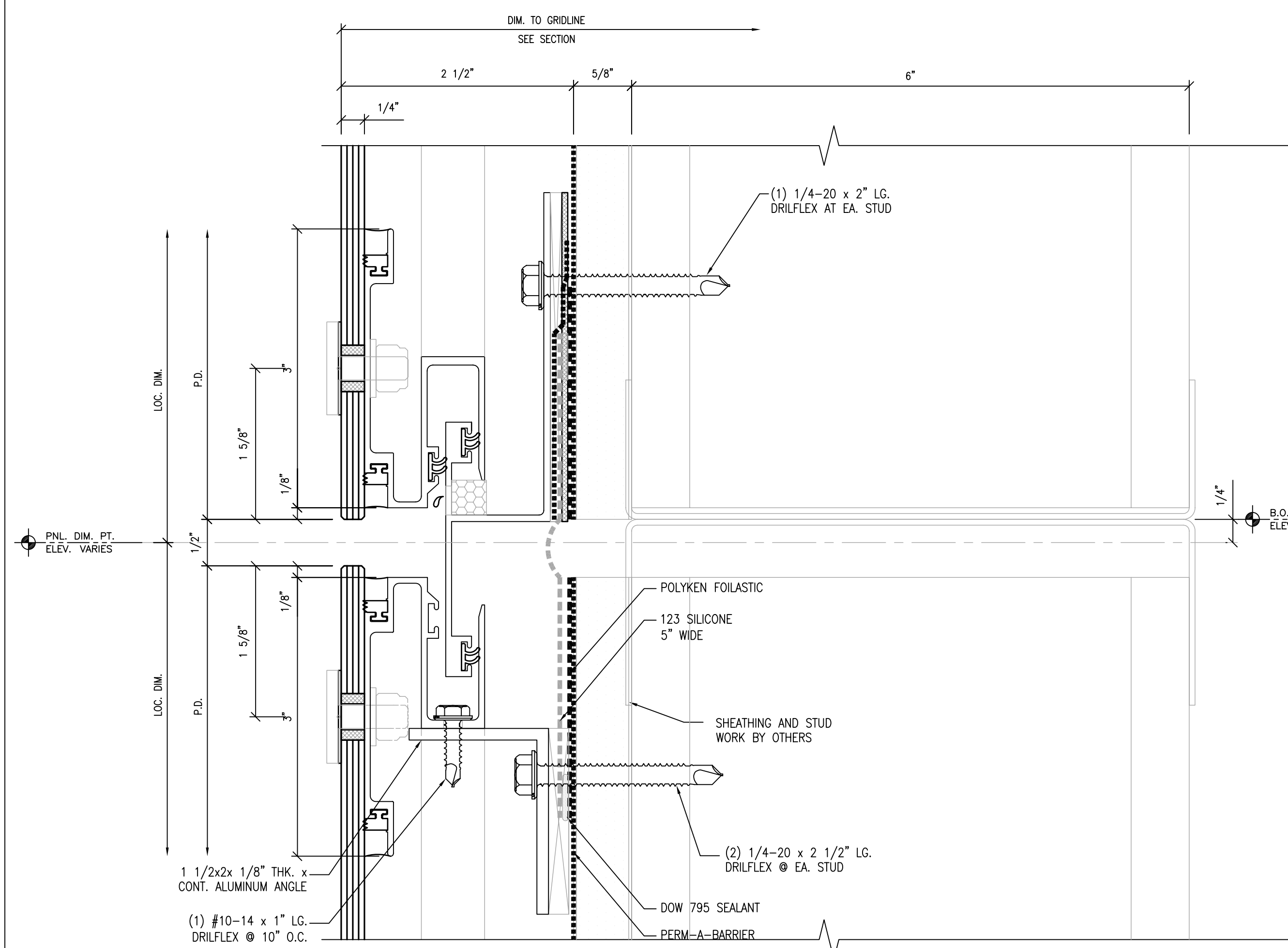
**C/S ERECTORS INC.** INSTALLER OF ARCHITECTURAL FRAME SYSTEMS  
 License No. 076066  
 2500 OLD CROFT CANYON RD., SUITE. 320  
 SAN MATEO, CA 94403  
 TEL: (925) 830-8113 FAX: (925) 820-8987

DATE: 05/18/08  
 SCALE: FULL  
 DRAWN BY: CDC  
 JOB # D01065  
 SHEET # **AC9.31N**  
 OF -- SHEETS

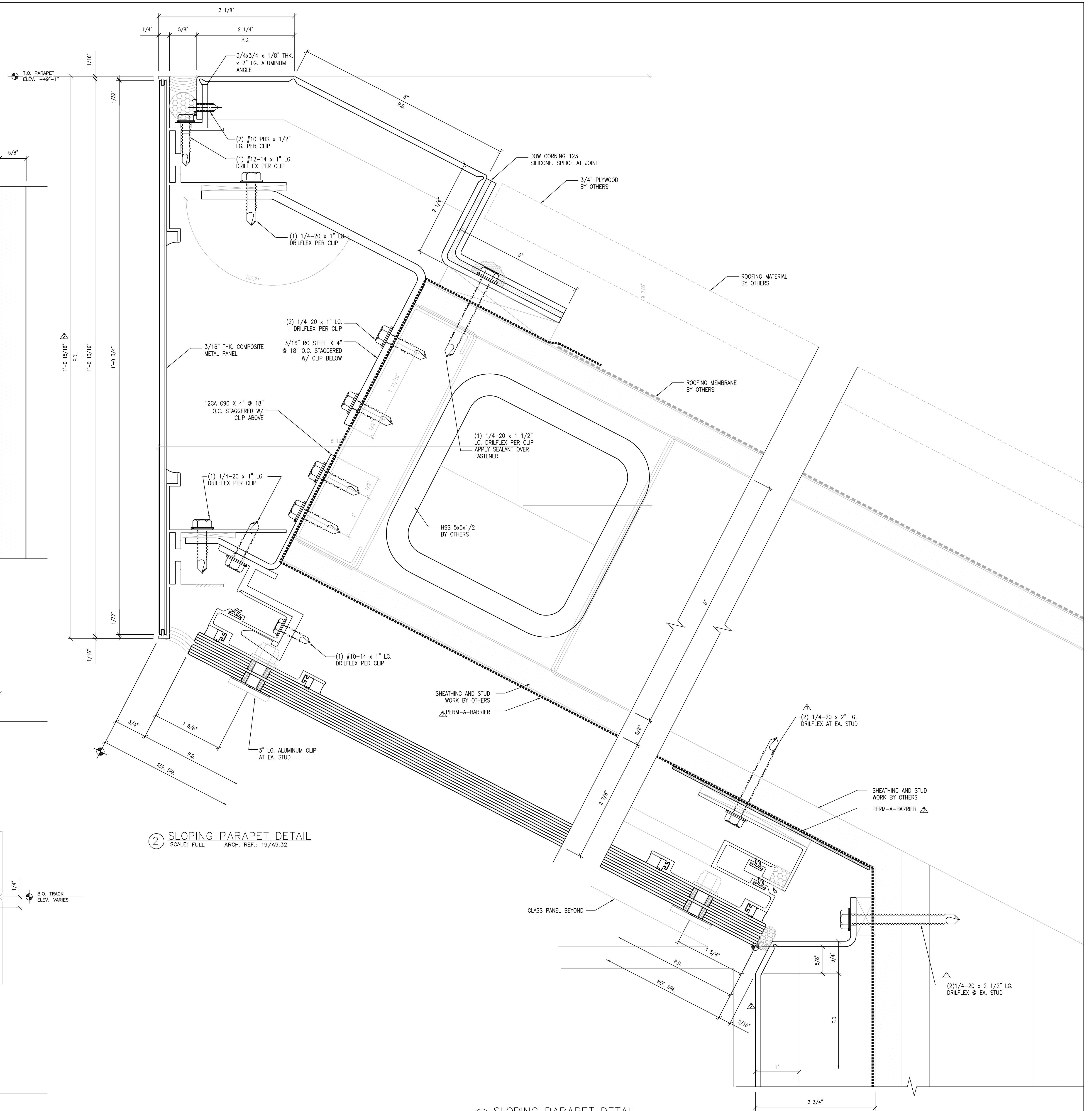




1 TYP. HORIZONTAL JOINT DETAIL  
SCALE: FULL ARCH. REF.: 3/A9.32



4 HORIZONTAL JOINT DETAIL AT E.J.  
SCALE: FULL ARCH. REF.:



2 SLOPING PARAPET DETAIL  
SCALE: FULL ARCH. REF.: 19/A9.32

3 SLOPING PARAPET DETAIL  
SCALE: FULL ARCH. REF.: 19/A9.32

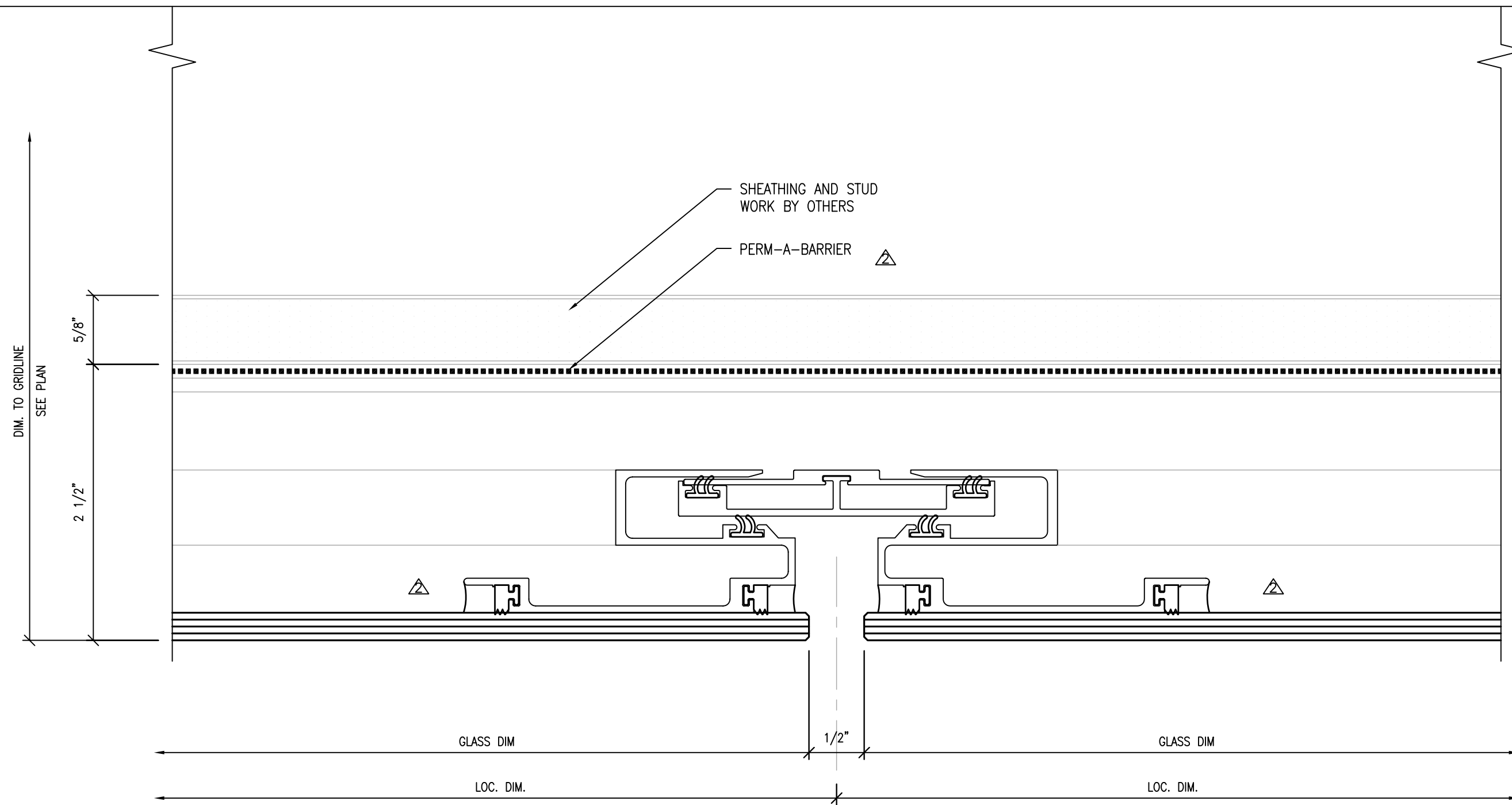
NO.	DATE	REVISION DESCRIPTION
5	10/15/10	AS BUILT
4	03-26-10	FOR RECORD
3	05-18-09	FOR CONSTRUCTION
2	03-18-09	SGH ARCH. C/S REV.
1	10-09-08	PER DSA COMMENTS

**COLLEGE OF SAN MATEO**  
**BUILDING 5N**  
 1700 WEST HILLSDALE BOULEVARD  
 SAN MATEO, CA. 94402

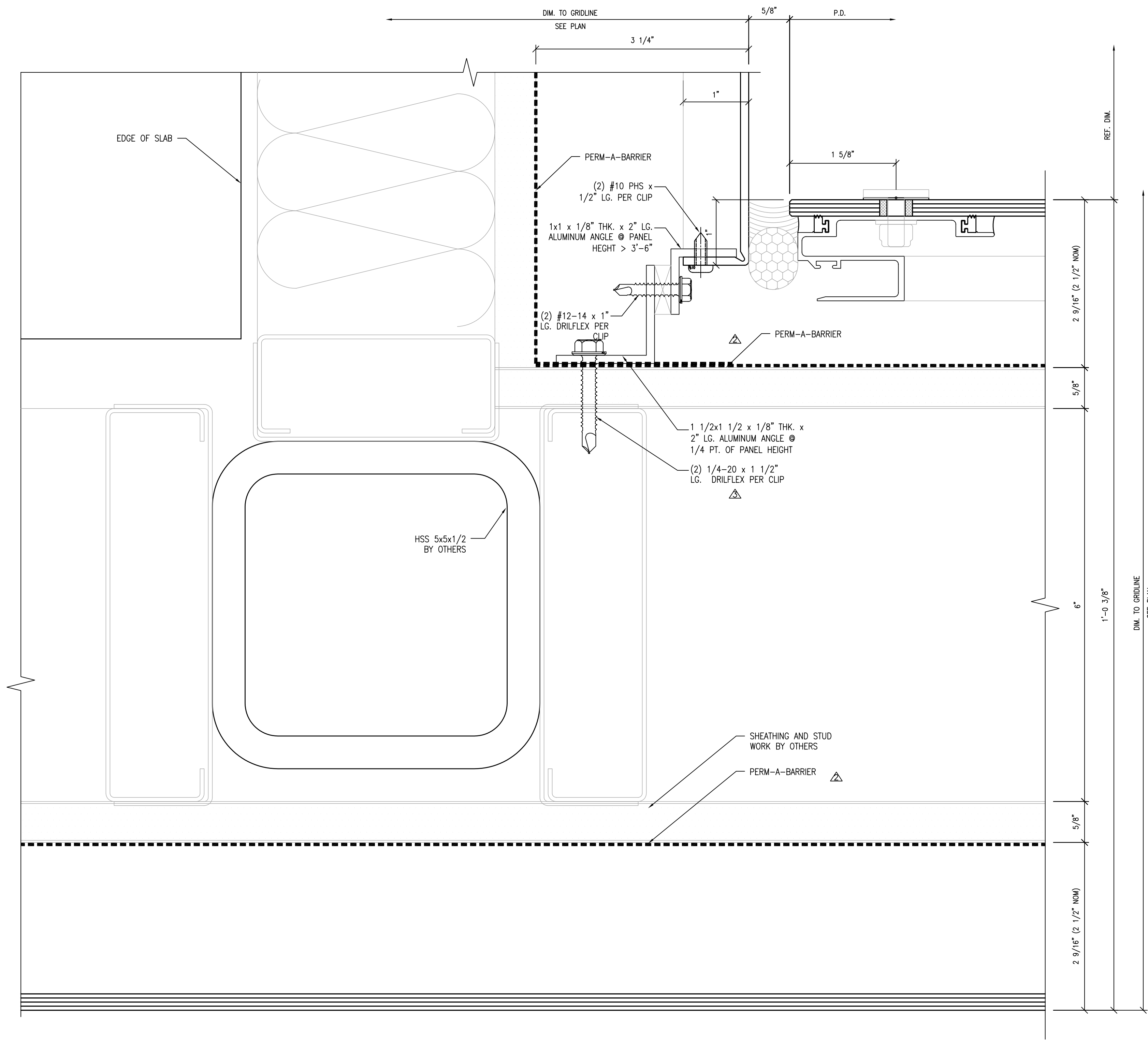
**C/S ERECTORS INC.** INSTALLER OF ARCHITECTURAL PANEL SYSTEMS  
 License No. 076060  
 2500 OLD CROY CANYON RD. SUITE. 320  
 SAN MATEO, CA 94403  
 TEL: (925) 830-8113 FAX: (925) 820-0987

DATE: 05/30/08  
 SCALE: FULL  
 DRAWN BY: CDC  
 JOB # D01065

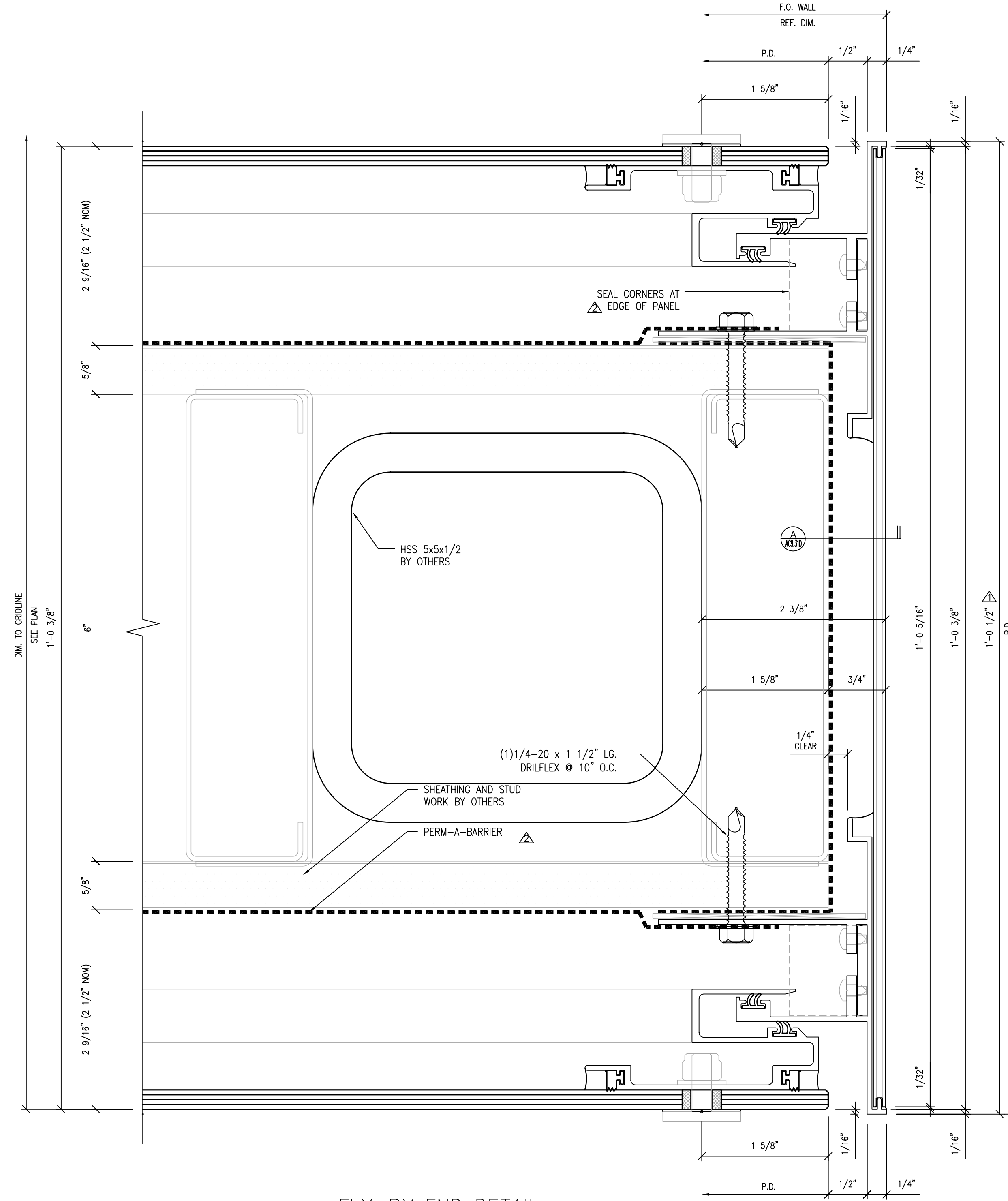
ACH#  
**AC9.32A**  
 OF -- SHEETS



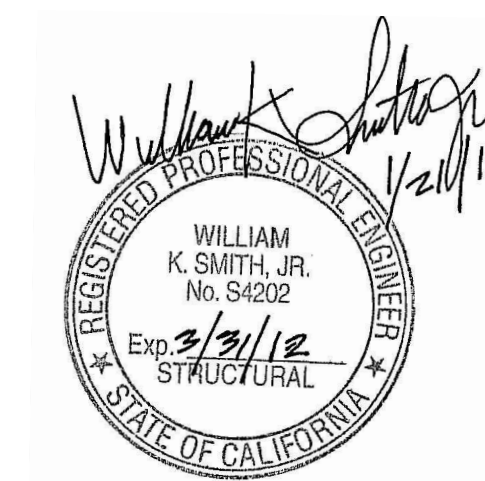
1 TYP. VERTICAL JOINT AT GLASS PANEL  
SCALE: FULL ARCH. REF.: 2/19.32



2 FLY-BY AT INSIDE CORNER  
SCALE: FULL ARCH. REF.: 1/19.32

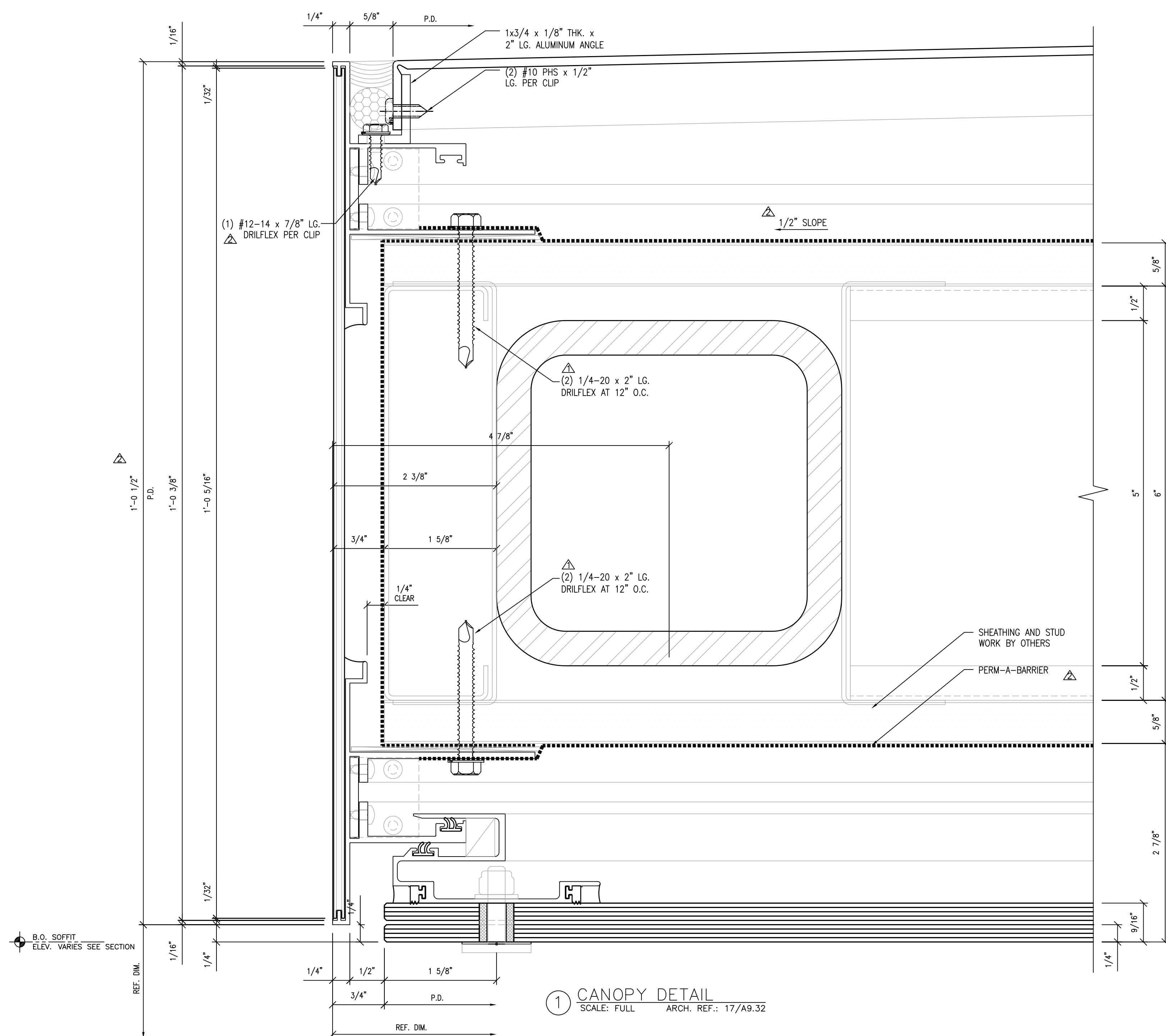


3 FLY-BY END DETAIL  
SCALE: FULL ARCH. REF.: 1/19.32

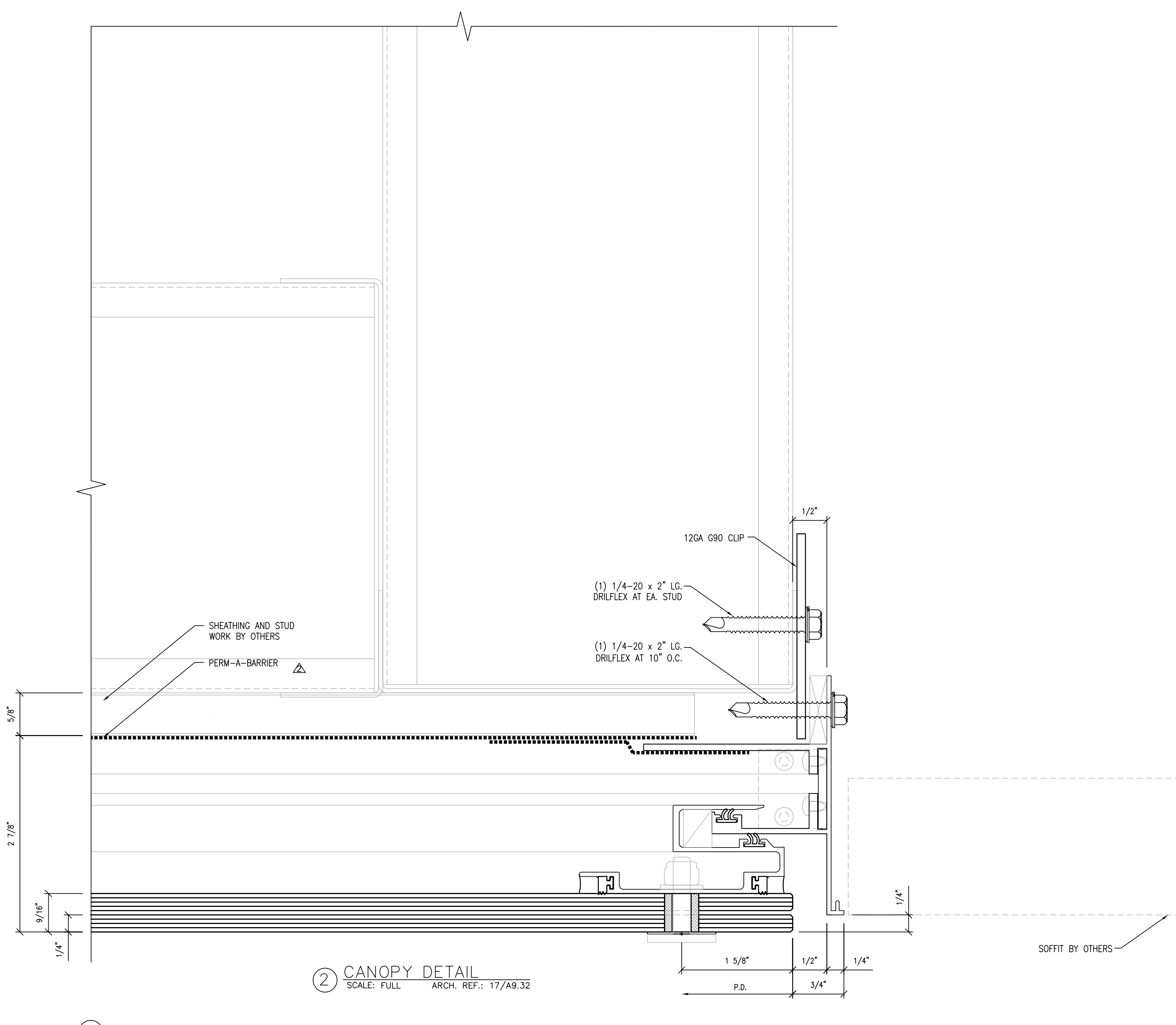


C/S ERECTORS INC. INSTALLER OF ARCHITECTURAL GLASS SYSTEMS	
License No. 07000	2500 OLD CROFT CANYON RD. SUITE. 320 SAN MATEO, CA 94403 TEL: (925) 820-8113 FAX: (925) 820-0887
DATE: 05/30/08	SCALE: FULL
DRAWN BY: CDC	JOB # D01065
SHEET # AC9.32B	
OF -- SHEETS	
5 10/15/10 AS BUILT	REVISION DESCRIPTION
4 03-26-10 FOR RECORD	
3 05-18-09 FOR CONSTRUCTION	
2 03-18-09 SGH, ARCH., C/S REV.	
NO.	DATE

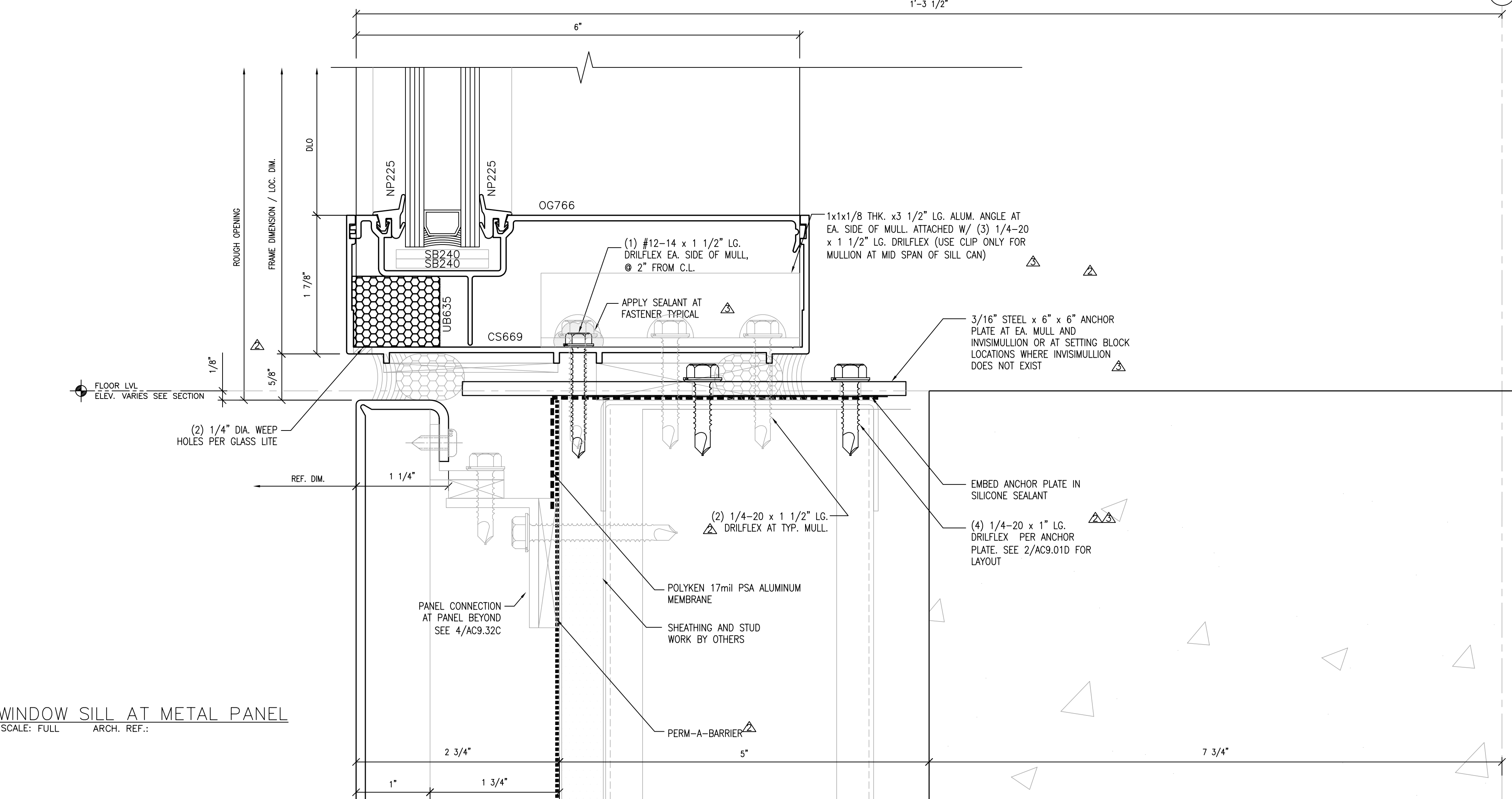
COLLEGE OF SAN MATEO  
BUILDING 5N  
1700 WEST HILLSDALE BOULEVARD  
SAN MATEO, CA. 94402



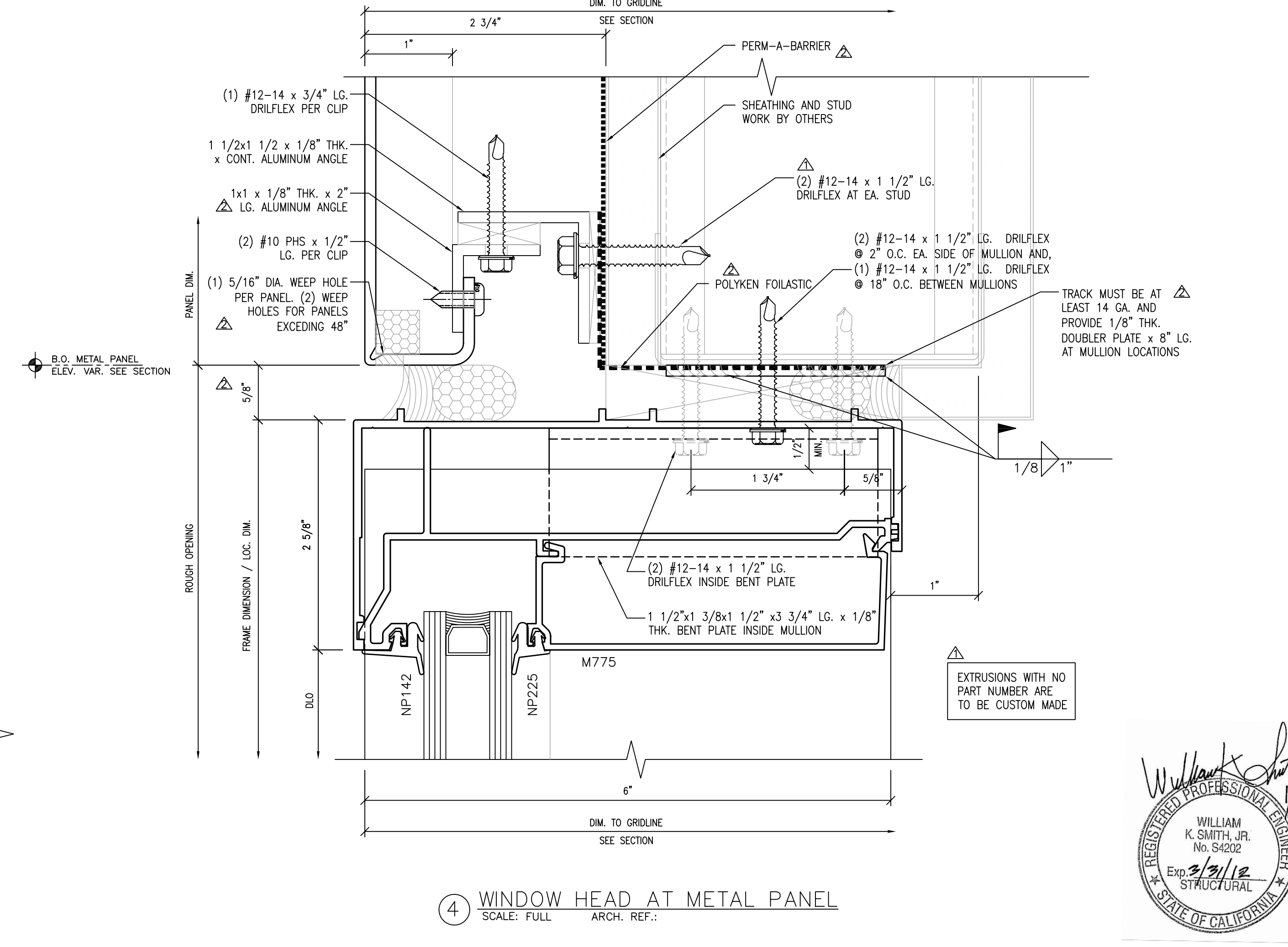
1 CANOPY DETAIL  
SCALE: FULL ARCH. REF.: 17/A9.32



2 CANOPY DETAIL  
SCALE: FULL ARCH. REF.: 17/A9.32



3 WINDOW SILL AT METAL PANEL  
SCALE: FULL ARCH. REF.:



4 WINDOW HEAD AT METAL PANEL  
SCALE: FULL ARCH. REF.:

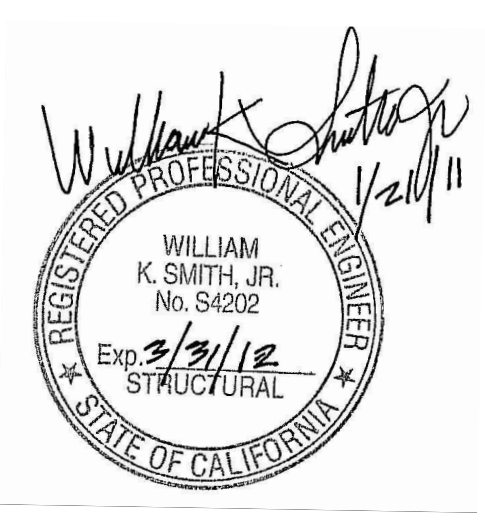
NO.	DATE	REVISION DESCRIPTION
5	10/15/10	AS BUILT
4	03-26-10	FOR RECORD
3	05-18-09	FOR CONSTRUCTION
2	03-18-09	SGH, ARCH., C/S REV.
1	10-09-08	PER DSA COMMENTS

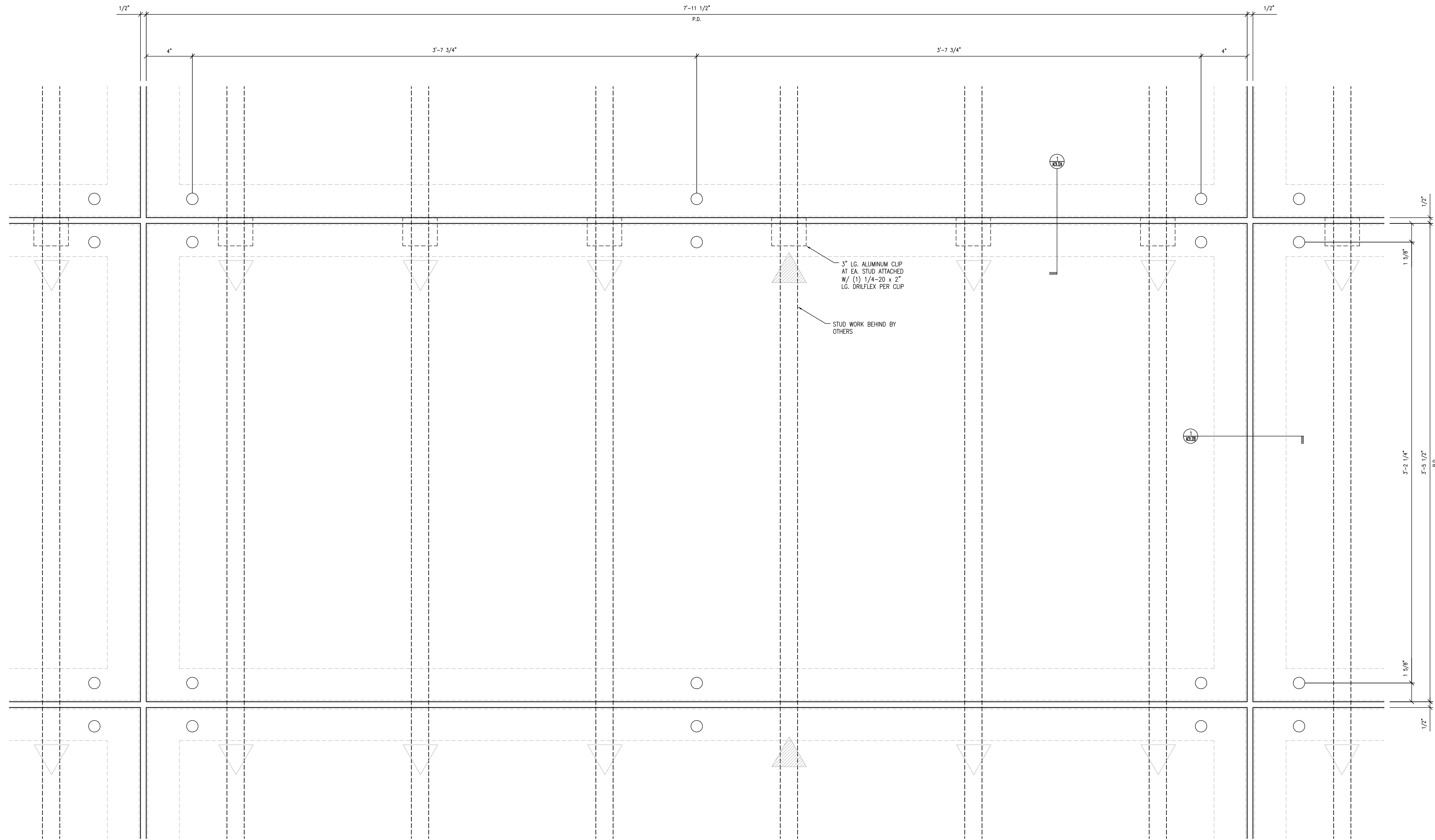
COLLEGE OF SAN MATEO  
BUILDING 5N  
1700 WEST HILLSDALE BOULEVARD  
SAN MATEO, CA. 94402

C/S Erectors Inc. DIVISION OF ARCHITECTURAL FRAME SYSTEMS  
License No. 076066  
2500 OLD CROFT CANYON RD., SUITE. 320  
REDWOOD CITY, CA 94061  
TEL: (925) 820-8113 FAX: (925) 820-6987

DATE: 05/30/08  
SCALE: FULL  
DRAWN BY: CDC  
JOB #: D01065

ARCH # AC9.32C  
OF -- SHEETS

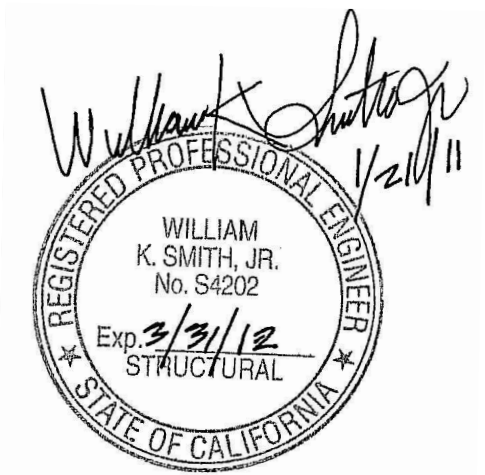




3" LG. ALUMINUM CLIP  
AT EA. STUD ATTACHED  
W/ (1) 1/4"-20 x 2"  
LG. DRIFLEX PER CLIP

STUD WORK BEHIND BY  
OTHERS

① TYP. GLASS PANEL ELEVATION  
SCALE: 3" = 1'-0" ARCH. REF: 4/A9.32

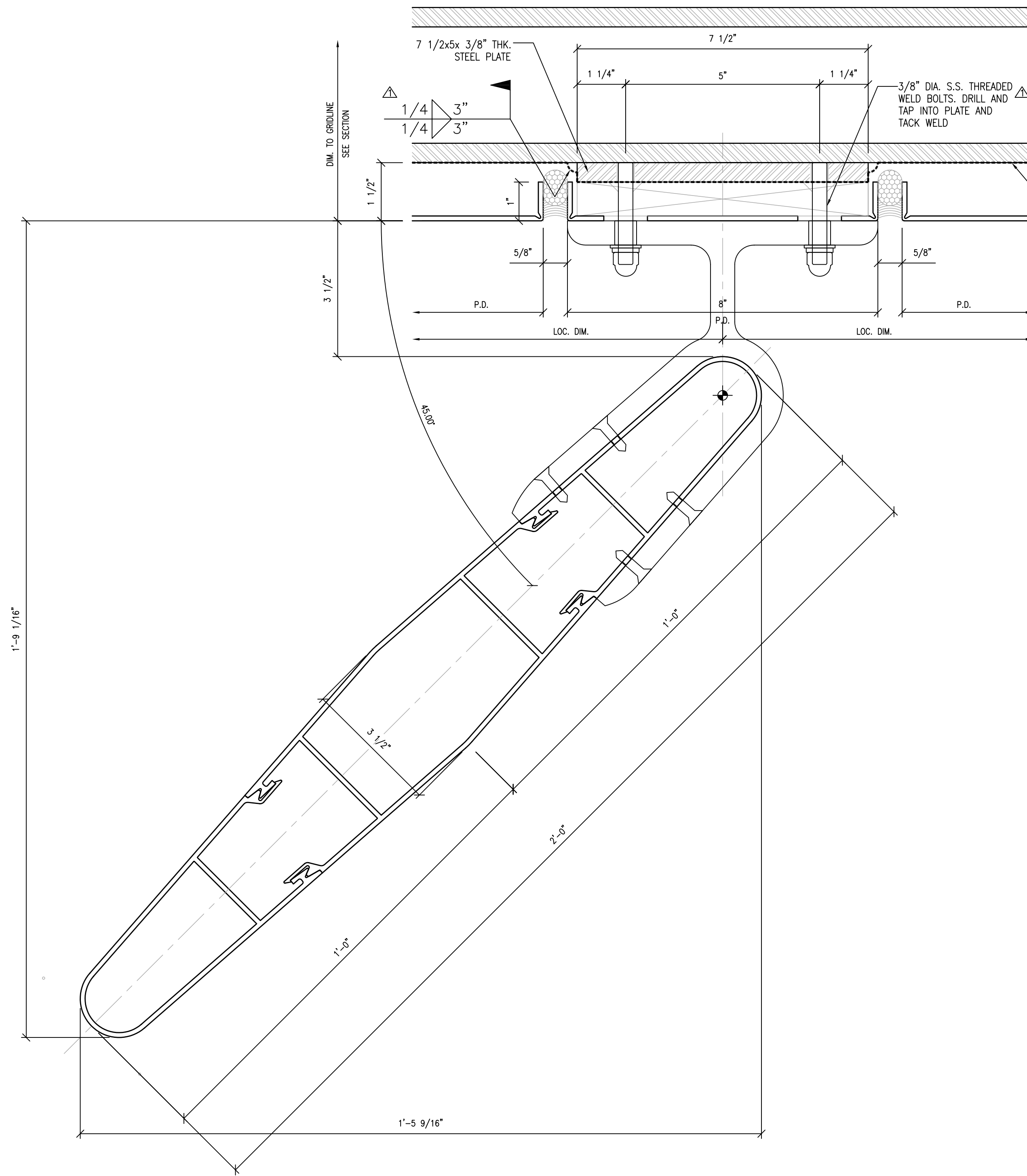


NO.	DATE	REVISION DESCRIPTION
2	10/15/10	AS BUILT
1	03-26-10	FOR RECORD

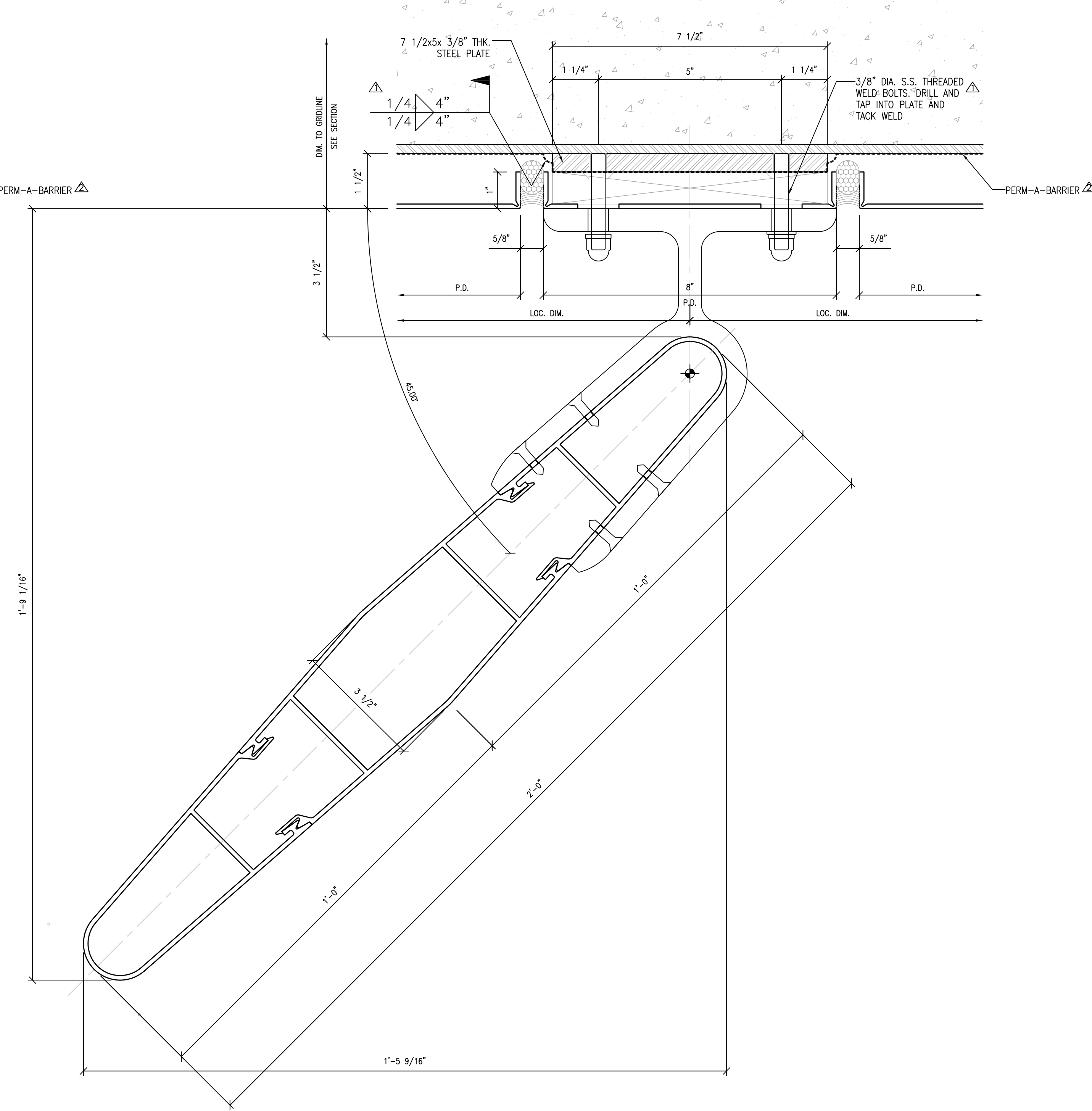
**COLLEGE OF SAN MATEO**  
BUILDING 5N  
1700 WEST HILLSDALE BOULEVARD  
SAN MATEO, CA. 94402

**C/S ERECTORS INC.** DIVISION OF ARCHITECTURAL FRAME SYSTEMS  
License No. 070006  
2500 OLD CROFT CANYON RD. SUITE. 320  
TAYLOR, CA 94588  
TEL: (925) 820-8113 FAX: (925) 820-6987

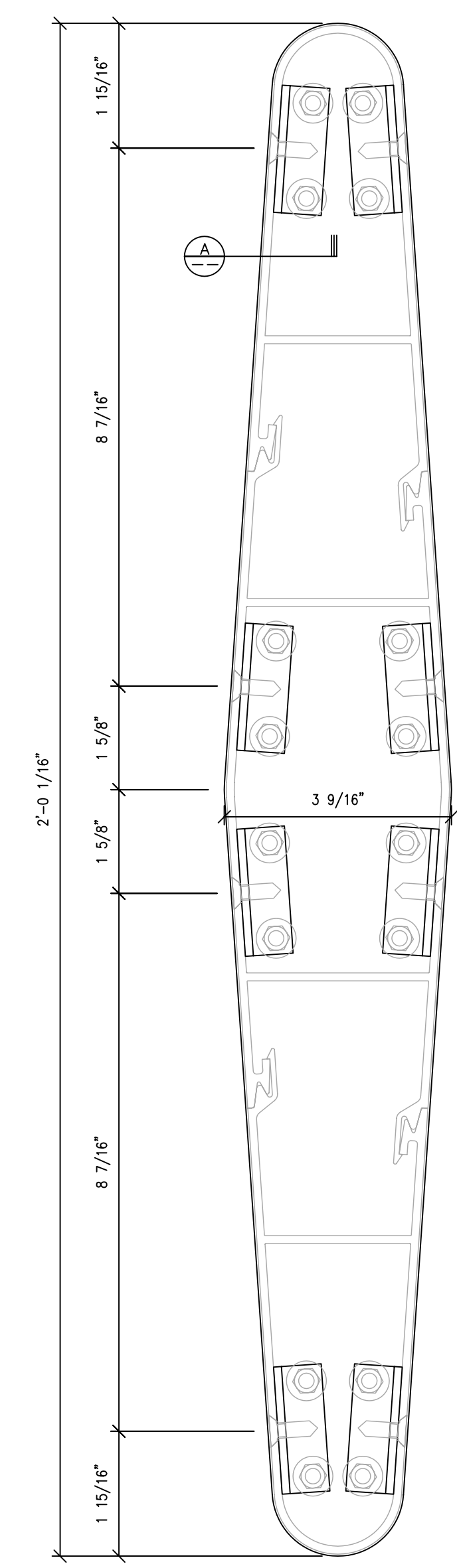
DATE: 05/30/08  
SCALE: FULL  
DRAWN BY: CDC  
JOB #: D01065  
SHEET #  
**AC9.32D**  
OF -- SHEETS



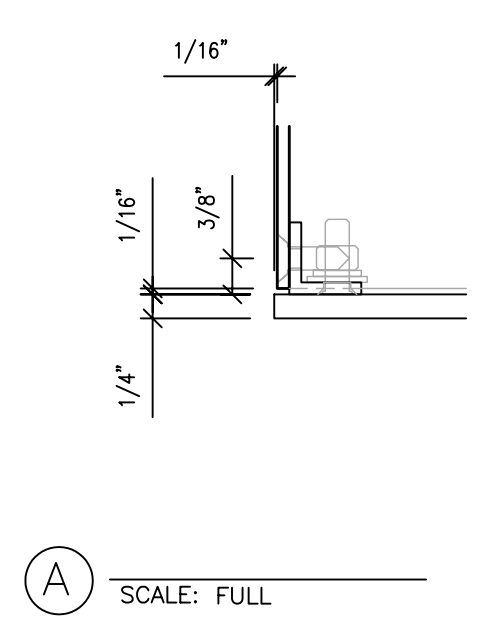
① EXTRUDED METAL VERTICAL FIN  
SCALE: FULL ARCH. REF.: 9/A9.32



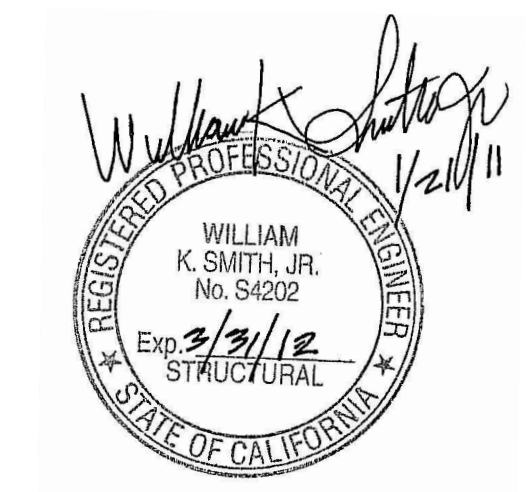
② EXTRUDED METAL VERTICAL FIN  
SCALE: FULL ARCH. REF.: 9/A9.32



③ METAL FIN END PLATE ATTACHMENT  
SCALE: FULL ARCH. REF.:



SCALE: FULL

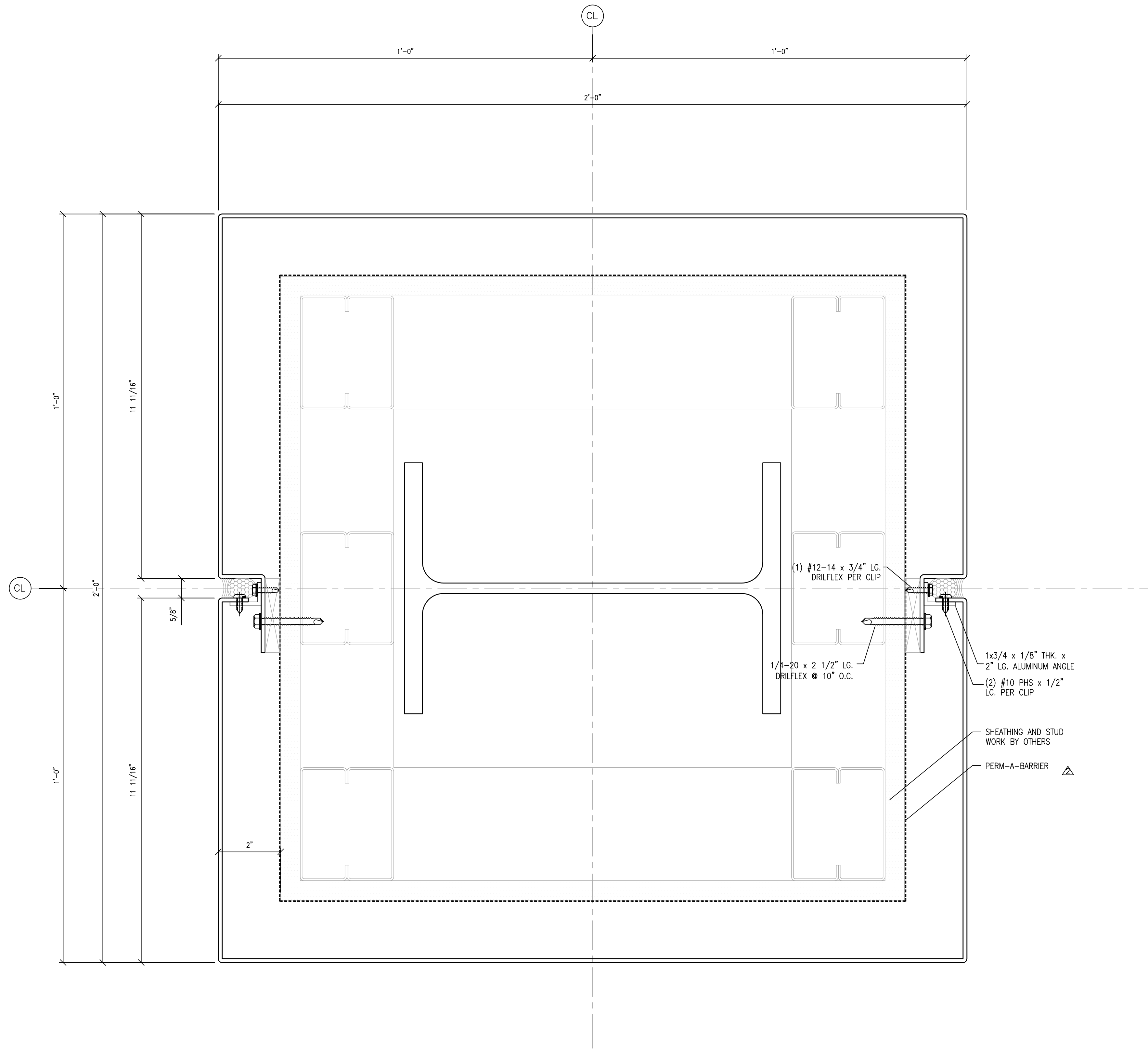


NO.	DATE	REVISION DESCRIPTION
4	10/15/10	AS BUILT
3	03-26-10	FOR RECORD
2	03-18-09	SGH, ARCH, C/S REV.
1	10-09-08	PER DSA COMMENTS

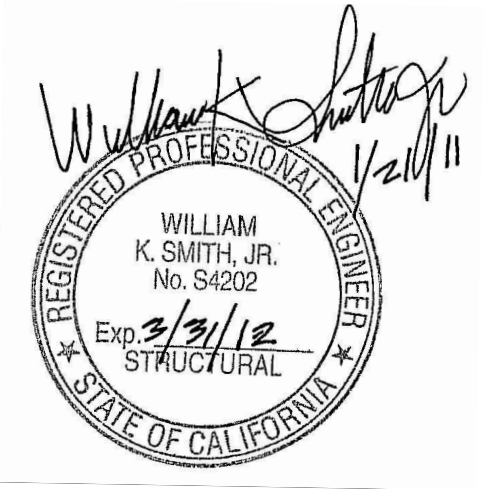
**COLLEGE OF SAN MATEO**  
**BUILDING 5N**  
 1700 WEST HILLSDALE BOULEVARD  
 SAN MATEO, CA. 94402

**C/S ERECTORS INC.** REGISTERED ARCHITECTURAL FINE SYSTEMS  
 License No. 070606  
 2500 OLD CROFT CANYON RD., SUITE. 320  
 SAN MATEO, CA 94403  
 TEL: (650) 830-6113 FAX: (650) 820-6987

DATE: 05/30/08  
 SCALE: FULL  
 DRAWN BY: CDC  
 JOB # D01065  
 SHEET # **AC9.32E**  
 OF -- SHEETS



① COLUMN COVER  
SCALE: FULL ARCH. REF.:



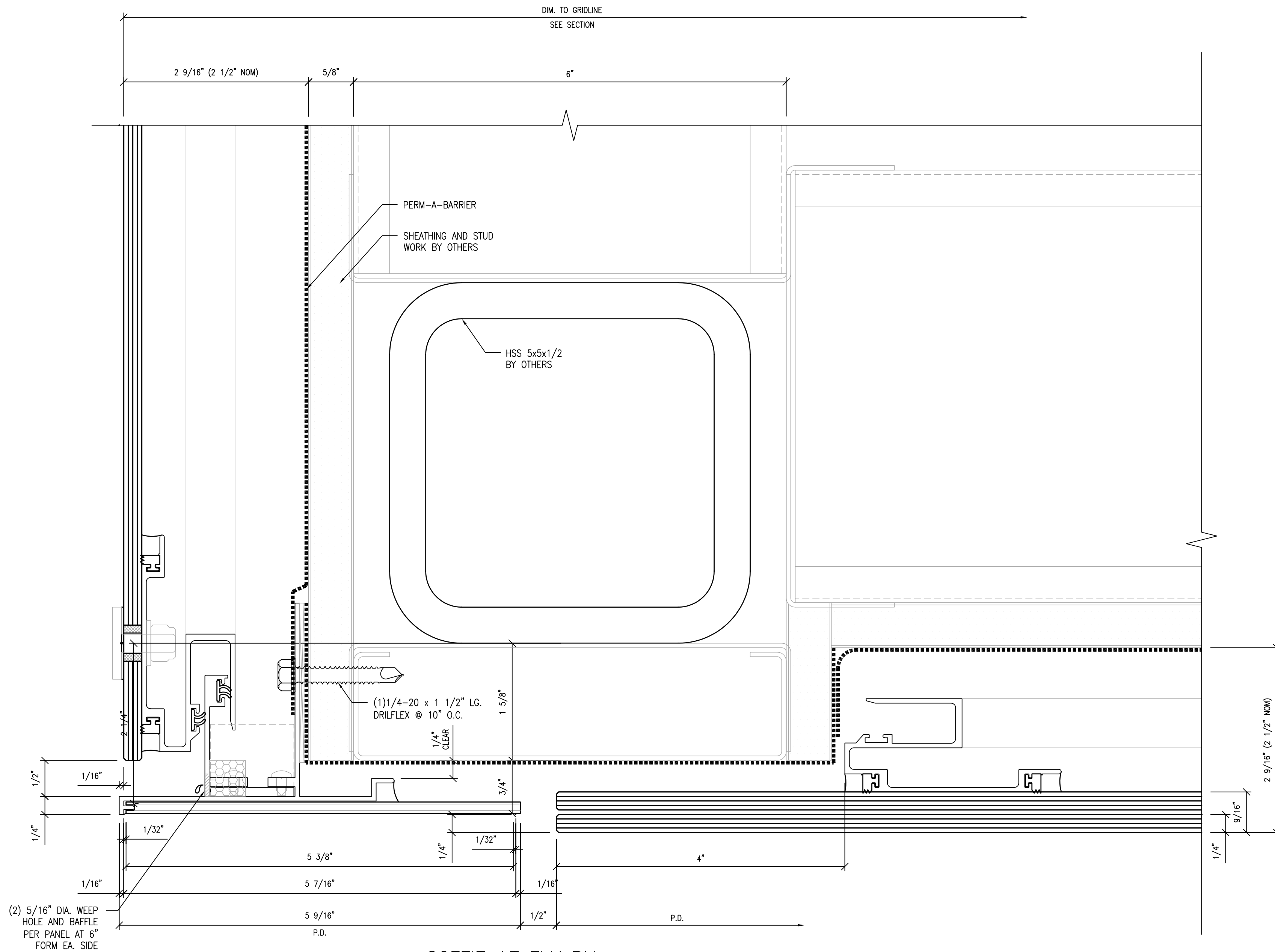
C/S ERECTORS INC. INSTALLERS OF INDUSTRIAL PAINT SYSTEMS  
 License No. 070606  
 2500 OLD CROW CANYON RD., SUITE. 320  
 HILLSDALE, CA 94020  
 TEL: (925) 830-8113 FAX: (925) 820-6987

DATE: 05/30/08  
 SCALE: FULL  
 DRAWN BY: CDC  
 JOB # D01065

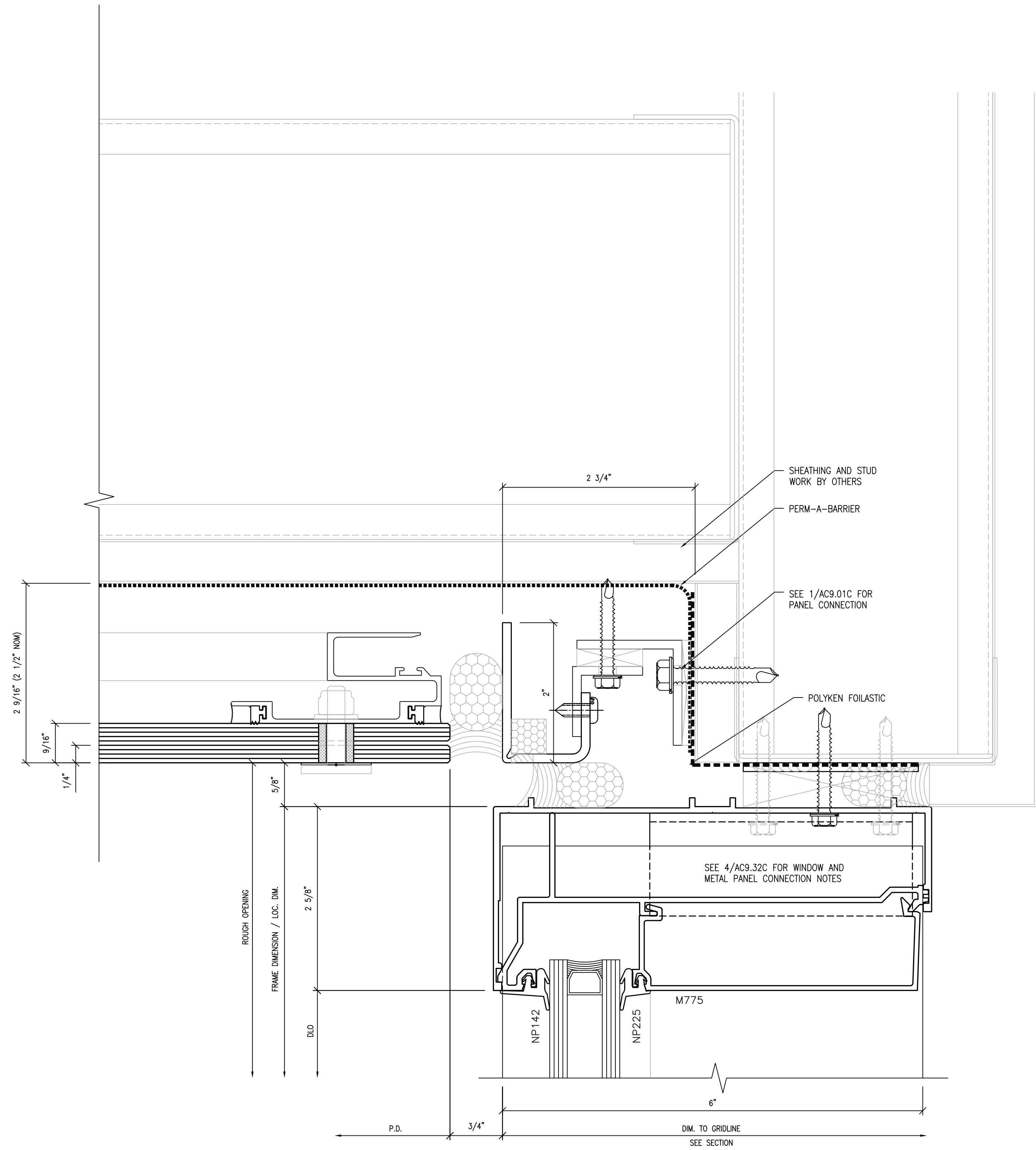
SHEET #  
**AC9.32F**  
 OF -- SHEETS

COLLEGE OF SAN MATEO  
 BUILDING 5N  
 1700 WEST HILLSDALE BOULEVARD  
 SAN MATEO, CA. 94402

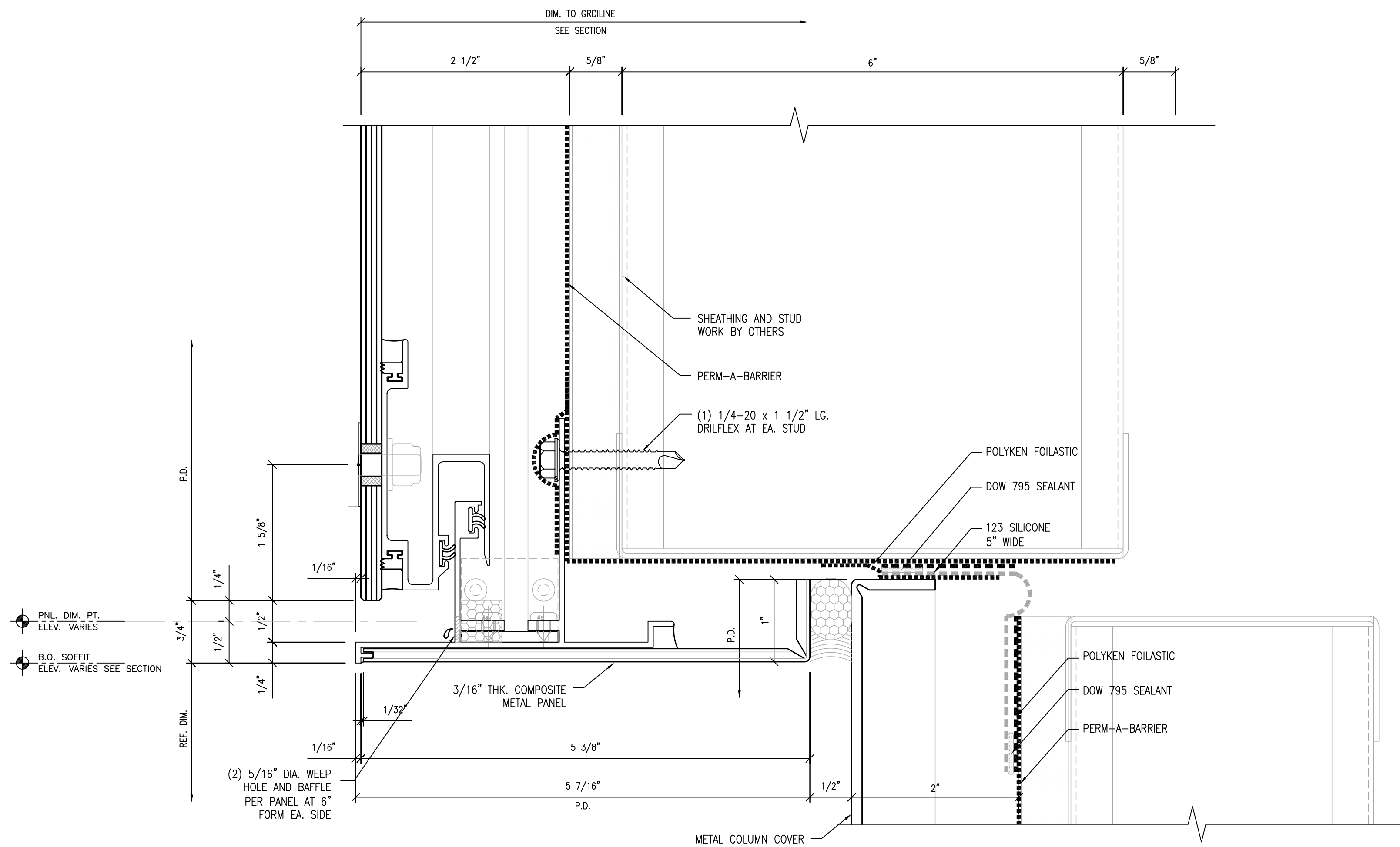
NO.	DATE	REVISION DESCRIPTION
5	10/15/10	AS BUILT
4	10/15/10	AS BUILT
3	03-26-10	FOR RECORD
2	03-18-09	SGH, ARCH, C/S REV.
-	-	-



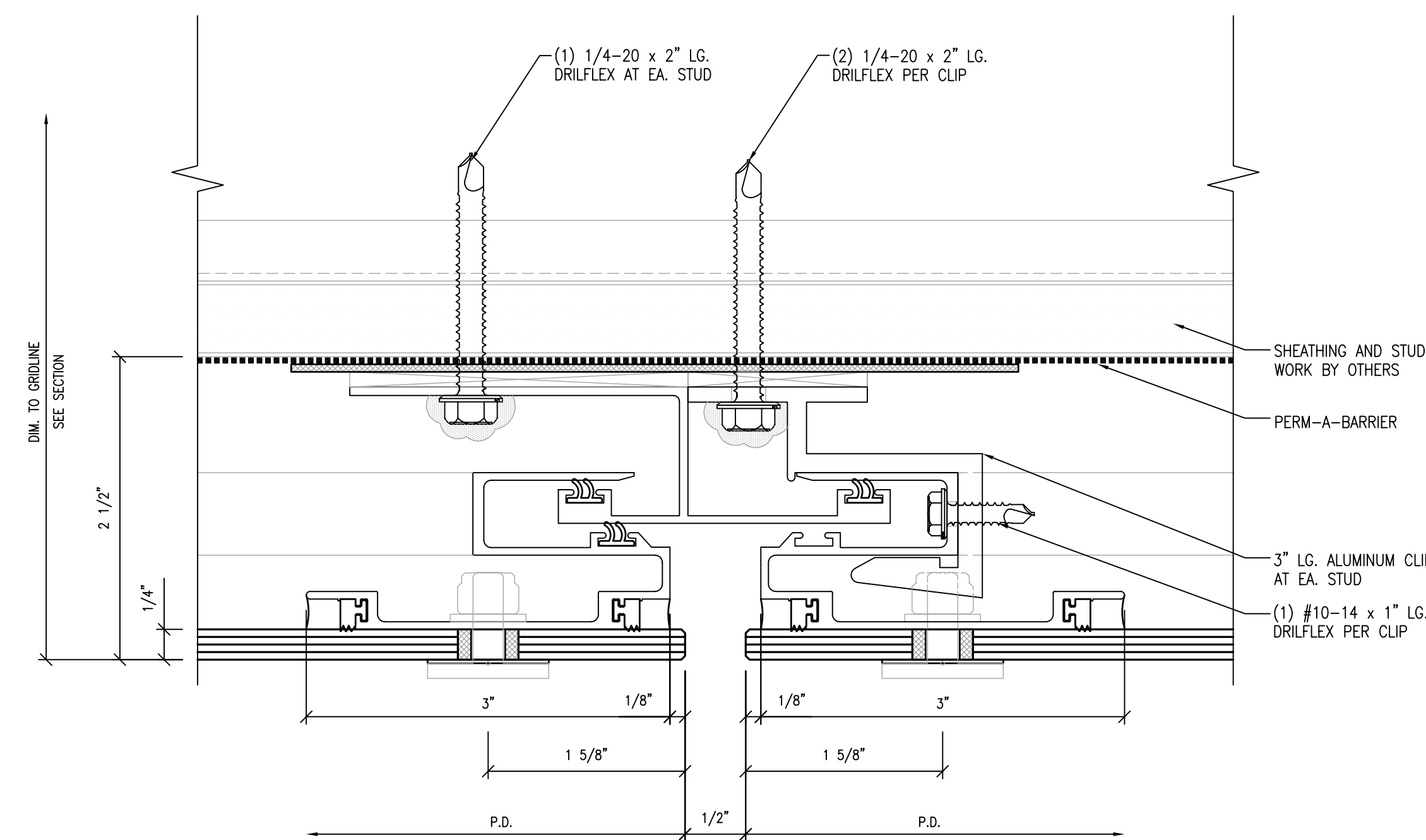
1 SOFFIT AT FLY BY  
SCALE: FULL ARCH. REF.:



2 SOFFIT DETAIL  
SCALE: FULL ARCH. REF.:



3 SOFFIT AT GLASS PANEL  
SCALE: FULL ARCH. REF.:



4 SOFFIT DETAIL  
SCALE: FULL ARCH. REF.:

