

EQUIPMENT SCHEDULE

MARK	SPECIFICATION
F1	<p>INDOOR FORCED AIR FURNACE LOCATION: MACH #1 SERVICE: ENGINE LAB, ENGINE TOOLS, OFFICE #1 MFR: REZNR MODEL: HCXE 175 CAPACITY: 2400 CFM AT 1.0" W.G. ESP, 150 MBH INPUT, 120 MBH OUTPUT, 46°F TEMP. RISE ELECTRICAL: 1 1/2 HP FAN MOTOR, 460V/3PH/60HZ, 2.90 FLA ACCESSORIES: 2 STAGE THERMOSTAT W/ AND LOCKING COVER, SUMMER/WINTER RELAY (CONN. TO FAN SWITCH @ T*STAT), SMOKE DETECTOR SUPPORT BASE W/ VIBRATION ISOLATION, FILTER RACK W/ 2" THROW-AWAY FILTER OPER. WT.: 350 LBS.</p>
F2	<p>INDOOR FORCED AIR FURNACE LOCATION: MACH #2 SERVICE: GENERAL AUTOLAB, ELECTRONIC LAB, GEN. TOOLS, ELECT. TOOLS, OFFICE #2 MFR: REZNR MODEL: HCXE 250 CAPACITY: 3800 CFM AT 1.0" W.G. ESP, 225 MBH INPUT, 180 MBH OUTPUT, 44°F TEMP. RISE ELECTRICAL: 2 HP FAN MOTOR, 460V/3PH/60HZ, 3.7 FLA ACCESSORIES: 2 STAGE THERMOSTAT W/ AND LOCKING COVER, SUMMER/WINTER RELAY (CONN. TO FAN SWITCH @ T*STAT), SMOKE DETECTOR SUPPORT BASE W/ VIBRATION ISOLATION, FILTER RACK W/ 2" THROW-AWAY FILTER OPER. WT.: 500 LBS.</p>

MARK	SPECIFICATION
EF1 (MEN)	<p>CEILING EXHAUST FAN LOCATION: CEILING SERVICE: TOILET IN (E) AUTO SHOP MFR: PENN MODEL: ZEPHYR Z-101 CAPACITY: 200 CFM AT 0.5 IN. ESP ELECTRICAL: 239 WATT INPUT, 120V/1PH/60HZ ACCESSORIES: BACK DRAFT DAMPER, INTERLOCK W/ LIGHT SWITCH, MFR. GRILLE, ROOF JACK W/ CAP OPER. WT.: 50 LBS.</p>
EF2 (WOMEN)	<p>CEILING EXHAUST FAN LOCATION: CEILING SERVICE: TOILET IN (E) AUTO SHOP MFR: PENN MODEL: ZEPHYR Z-101 CAPACITY: 200 CFM AT 0.5 IN. ESP ELECTRICAL: 239 WATT INPUT, 120V/1PH/60HZ ACCESSORIES: BACK DRAFT DAMPER, INTERLOCK W/ LIGHT SWITCH, MFR. GRILLE, ROOF JACK W/ CAP OPER. WT.: 50 LBS.</p>

LEGEND

SYMBOL	ABBR.	DESCRIPTION
		SUPPLY AIR DUCT UP
		EXHAUST AIR DUCT UP
		RETURN AIR DUCT UP
		RETURN/EXHAUST/SUPPLY DUCT
	MVD	MANUAL VOLUME DAMPER
	FD	FIRE DAMPER IN WALL
		CEILING DIFFUSER WITH FIRE DAMPER
	CD	CEILING SUPPLY DIFFUSER
	CER	CEILING EXHAUST REGISTER
	CRR	CEILING RETURN REGISTER
		ACOUSTICALLY INSULATED DUCT
	DL	FLEXIBLE DUCT
	UCD	DOOR LOUVER
		UNDERCUT DOOR
	T*STAT	THERMOSTAT + 4.3°
	SD	SMOKE DETECTOR
	NIMC	NOT IN MECHANICAL CONTRACT
	AD	ACCESS DOOR
	CLN'G	CEILING
	TG	TRANSFER GRILLE
		DRAIN CONNECTION
		GAS CONNECTION
		ELECTRICAL CONNECTION
		OUTSIDE INTAKE/ECONOMIZER
	POC	POINT OF CONNECTION
	HSWR	HIGH SIDE WALL REGISTER
	C.A.	COMBUSTION AIR
	O.A.	OUTSIDE AIR
	R.A.	RETURN AIR
	BPT	BYPASS TIMER SWITCH
	NTS	NOT TO SCALE
	G.I.	GALVANIZED IRON

USA STRUCTURAL SAFETY SECT
 Department of General Services
 Office of the State Architect
 53721 DEC 14 90
 APPLICATION FOR PERMIT
 NO. 19-06-883

- GENERAL NOTES**
- INSTALL ALL DUCTWORK AND PIPING TO BEST SUIT FIELD CONDITIONS AND COORDINATE WITH THE INSTALLATION WORK OF OTHER TRADES. THE DRAWINGS ARE DIAGRAM-MATIC AND SHALL NOT BE SCALED TO DETERMINE THE EXACT LOCATION OF SINGLE LINE DUCTS.
 - THIS CONTRACTOR SHALL REFER TO ELECTRICAL CONTRACT DOCUMENTS TO OBTAIN THE INFORMATION OF STARTERS, VOLTAGE, PHASE, INTERLOCKING CONTROLS & MISC. EQUIPMENT SUCH AS RELAYS IN STARTERS, ETC., SO THAT ALL ELECTRICAL EQUIPMENT SHALL FULLY COMPLY WITH ELECTRICAL AND CONTROL REQUIREMENTS.
 - THIS CONTRACTOR WILL PROVIDE THREE COPIES OF OPERATING AND MAINTENANCE INSTRUCTIONS TO THE OWNER (IN VINYL COVER).
 - DUCT SIZES WITH LINING SHOWN ARE NET CLEAR INSIDE DIM.
 - PROVIDE HVAC DUCT INSULATION IN ACCORDANCE WITH SECTION 1005 OF THE UNIFORM MECHANICAL CODE.
 - ALL SQUARE ELBOW TURNS IN DUCTWORK SHALL HAVE TURNING VANES.
 - ALL THERMOSTATS SHALL BE CAPABLE OF BEING SET TO MAINTAIN SPACE TEMPERATURE SET POINT FROM 55°F TO 86°F, TERMINATING ALL HEATING ABOVE 70°F
 - FURNISH AND INSTALL NOISE AND VIBRATION ISOLATION DEVICES ON DUCTWORK AND EQUIPMENT.
 - INSTALLED FLEXIBLE DUCT SHALL NOT BE INSTALLED IN NY DUCTWORK IN LENGTHS MORE THAN 6 FEET.
 - EACH SINGLE SYSTEM PROVIDING HEATING AIR IN EXCESS OF 2000 CUBIC FEET PER MINUTE SHALL BE EQUIPPED WITH SMOKE DETECTORS & AUTOMATIC SHUT-OFFS.
- All mechanical equipment shall be braced or anchored to resist a horizontal force acting in any direction using the following criteria:
 Fixed Equipment on Grade: 20 % of Operation Weight
 Fixed Equipment on Structure: 30 % of Operation Weight
 Emergency Power Equipment on Grade: 30 % of Operation Weight
 Emergency Power Equipment on Structure: 40 % of Operation Weight
- Simultaneous Vertical Force: Use 1/3 x Horizontal Force.
 For Flexibly Mounted Equipment See Title 24, Sect. 2312 (g) 2.
- Where anchorage details are not shown on the drawings, the field installation shall be subject to the approval of the Mechanical Engineer or the Architect and the field representative of the Office of the State Architect.

ENCON
 ENERGY CONSERVATION COMPANY
 540 EL CAMINO REAL, SUITE 203
 LOS ANGELES, CALIF. 90024
 TEL: (415) 944-3734
 FAX: (415) 944-3734
 TEL: (415) 961-8095

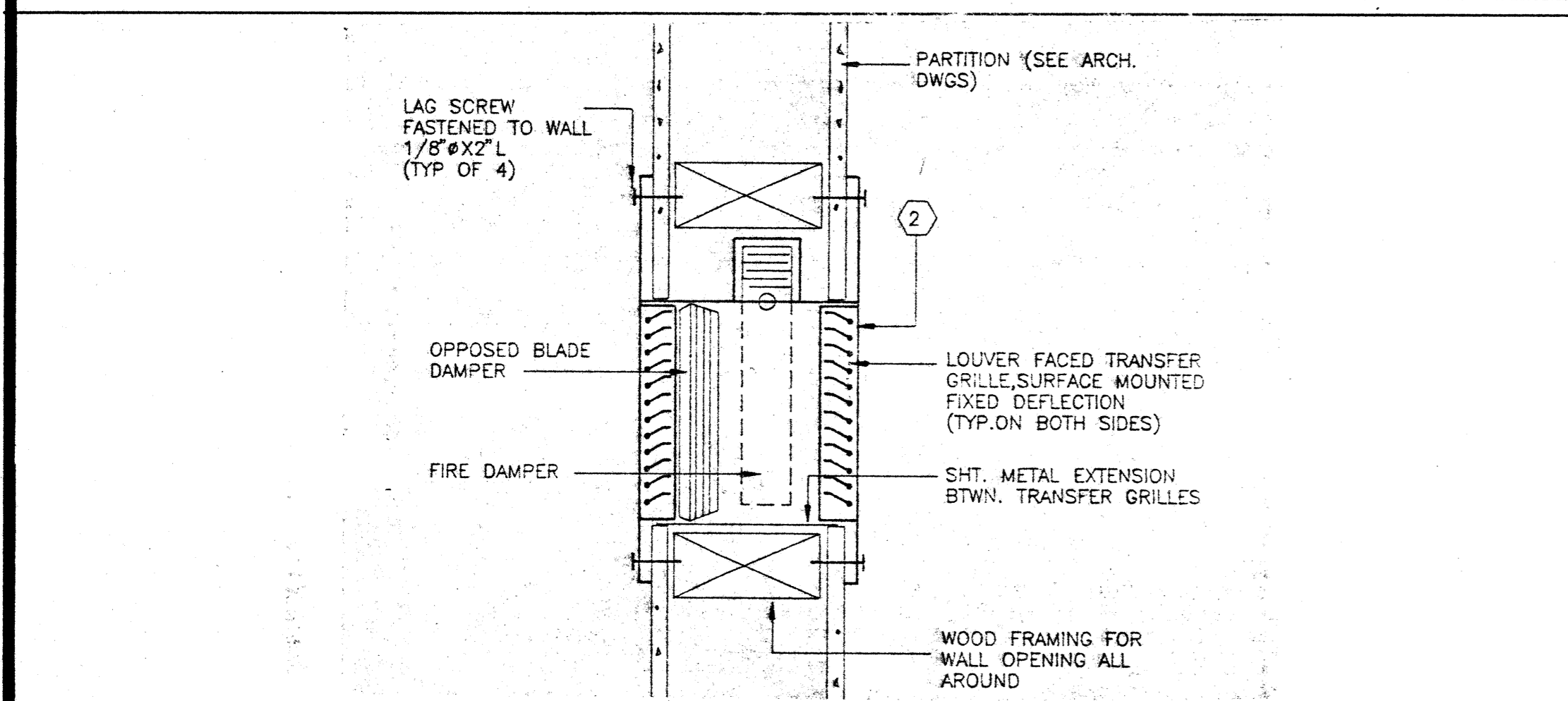
KELLER AND DASEKING-ARCHITECTS
 A.I.A.
 WALTER L. KELLER
 WILLIAM H. DASEKING
 625 OAK GROVE AVENUE
 MENLO PARK, CA 94025 415/325-5986

AIR DISTRIBUTION SCHEDULE

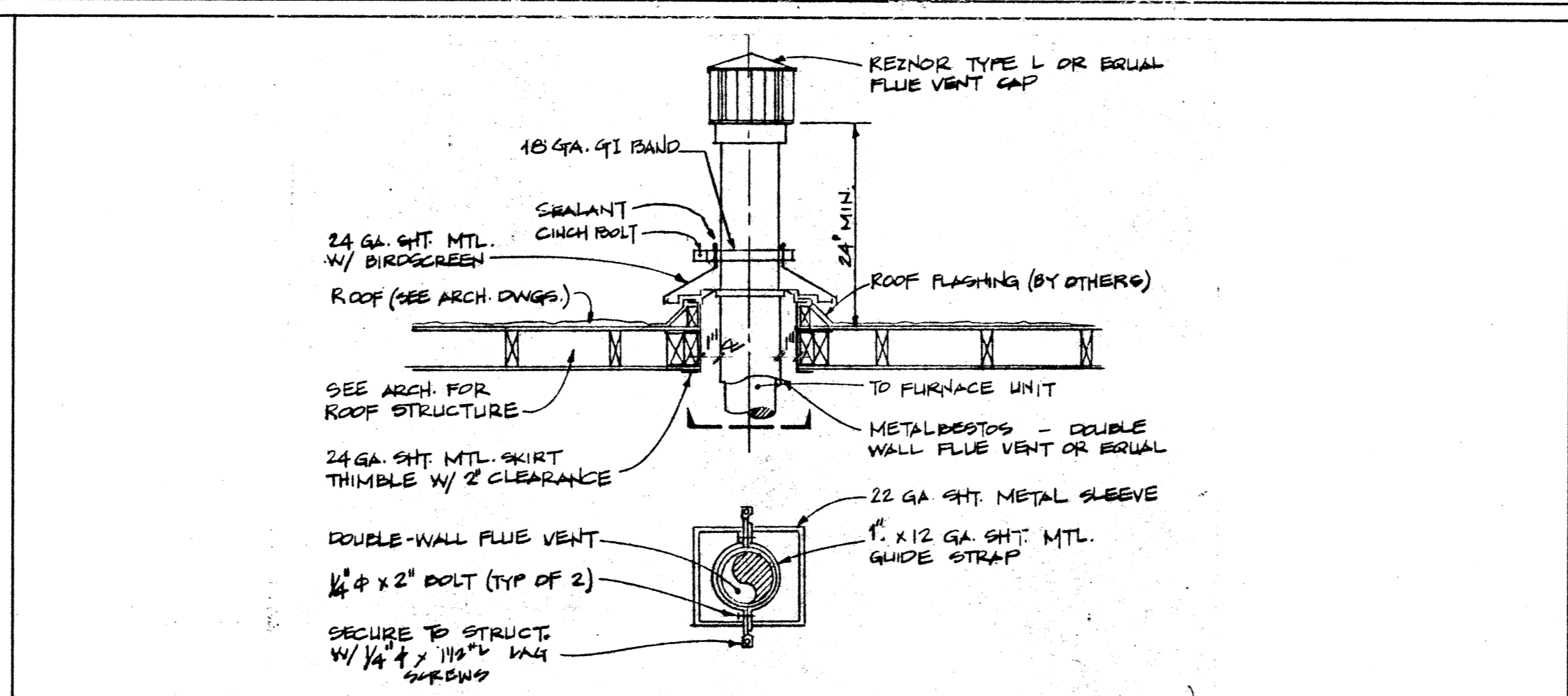
MARK	MODEL NO.	SPECIFICATION
1	300RL	SIDE WALL SUPPLY REGISTER, STEEL, 3/4" SPACING, DOUBLE DEFLECTION WITH OPPOSED BLADE DAMPER.
2	350RL	SIDE WALL RETURN TRANSFER GRILLE, STEEL, 3/4" SPACING, 35° FIXED DEFLECTION. PROVIDE ON BOTH SIDES OF WALL W/ FIELD SUPPLIED SHEET METAL CONNECTION.

DRAWING SCHEDULE

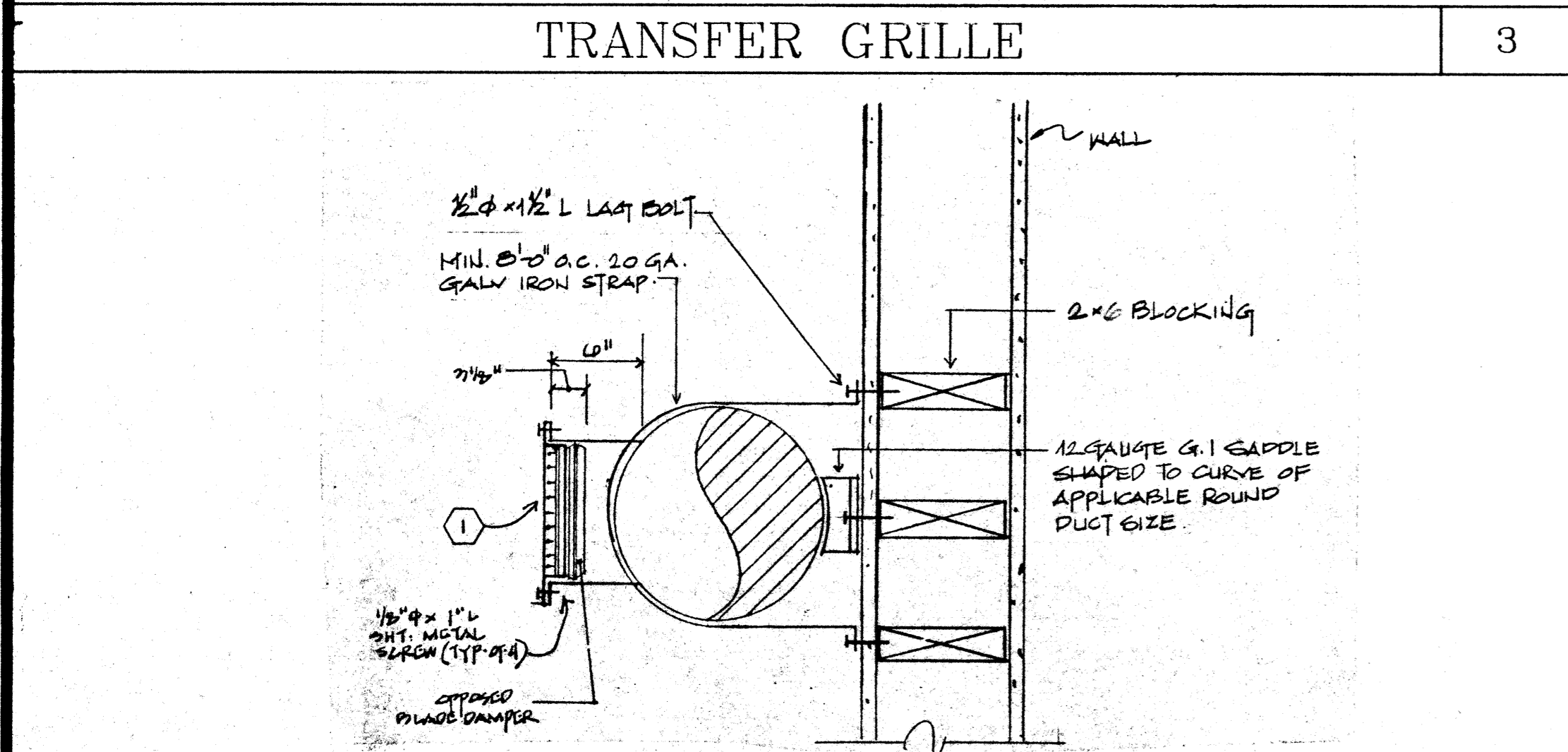
M-1	LEGEND, NOTES, SCHEDULES & DETAILS
M-2	FLOOR PLANS - (N) AUTOMOTIVE CLRM BLDG.
M-3	DETAILS, CONTROLS & SECTIONS - (E) AUTO SHOP



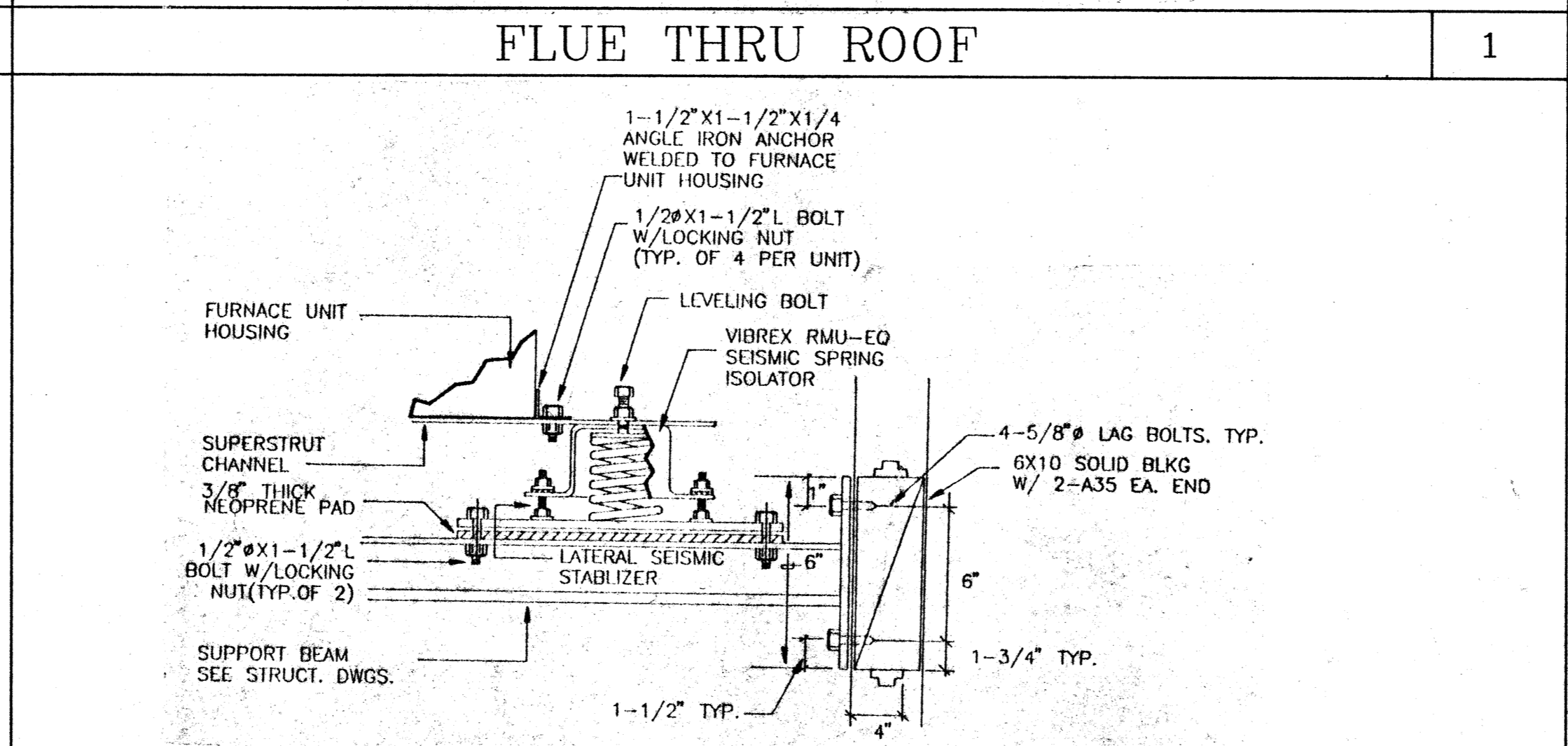
TRANSFER GRILLE



FLUE THRU ROOF



SIDEWALL DIFFUSER @ DUCT



SEISMIC ISOLATOR

- REMARKS:
- ALL AIR DISTRIBUTION DEVICES SHALL BE SELECTED FOR NOISE LEVELS OF 30 N.C. AND BELOW
 - ALL ITEMS ARE MFR. TITUS UNLESS OTHERWISE NOTED
 - REFER TO DRAWINGS FOR SIZES.
 - OFF-WHITE ENAMEL FINISH, UNLESS OTHERWISE NOTED

THE CURRENT CALIFORNIA ENERGY CONSERVATION STANDARDS FOR NON-RESIDENTIAL BUILDINGS HAVE BEEN REVIEWED. IN MY PROFESSIONAL ENGINEERING JUDGEMENT, THE DESIGN IN THIS SET OF PLANS AND SPECIFICATIONS CONFORMS WITH THE FOLLOWING DIVISIONS OF THESE REGULATIONS:
 DIVISION 5 AND 6, HEATING, VENTILATING, AND AIR CONDITIONING SYSTEMS AND EQUIPMENT.

AUTOMOTIVE CLASSROOM BUILDING
TOILET ROOM RENOVATIONS
SKYLINE COLLEGE
 SAN MATEO COUNTY COMMUNITY COLLEGE DISTRICT

REV. 8-22-90

8906
 11/2/90
 M-1
 31 & 41

19-06-883