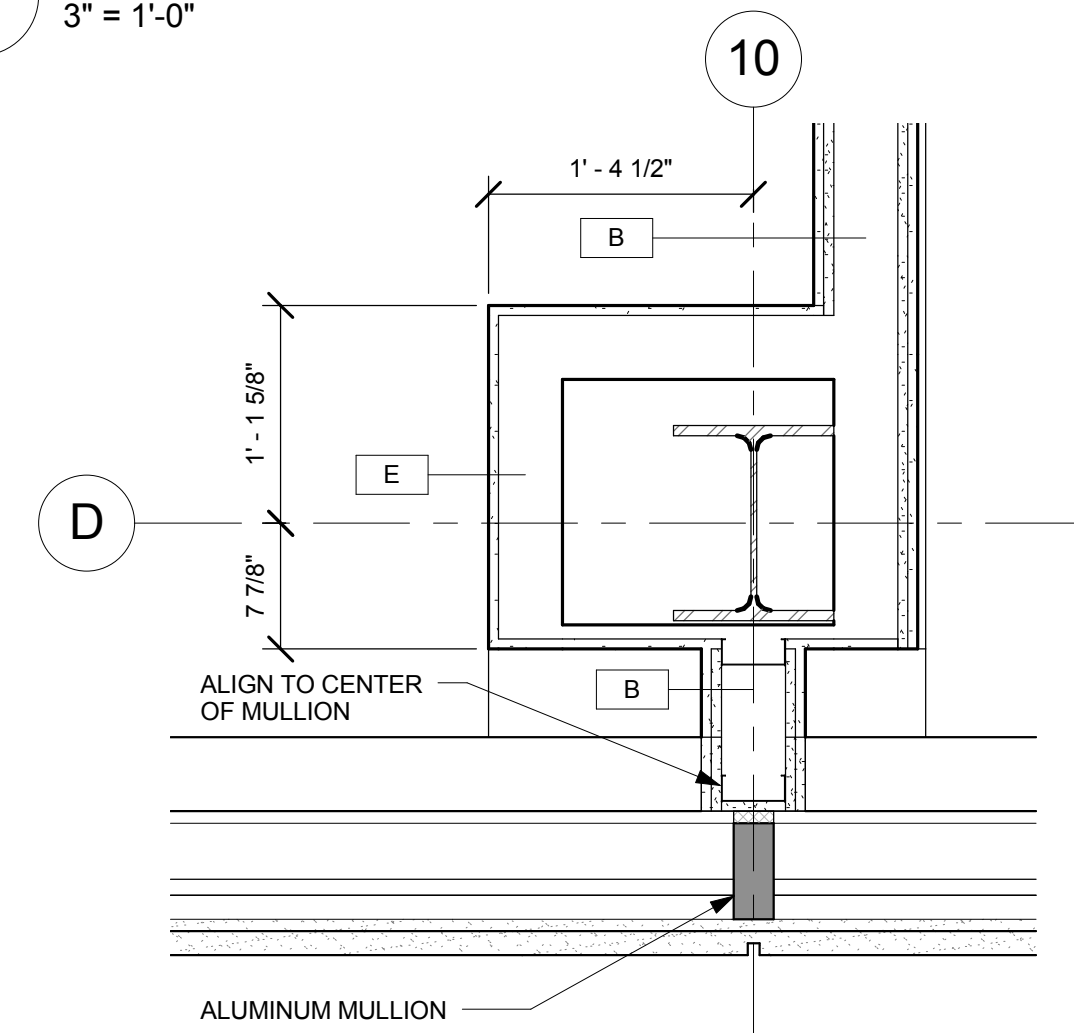
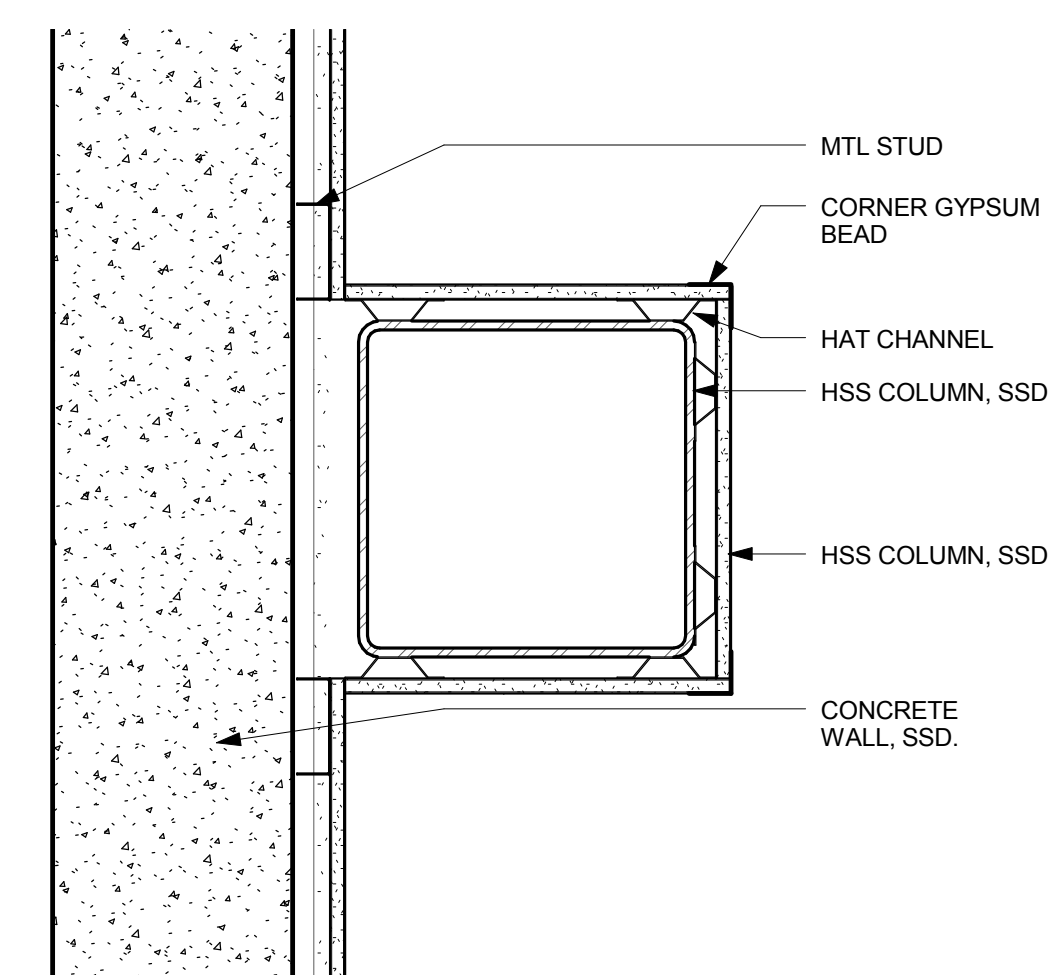


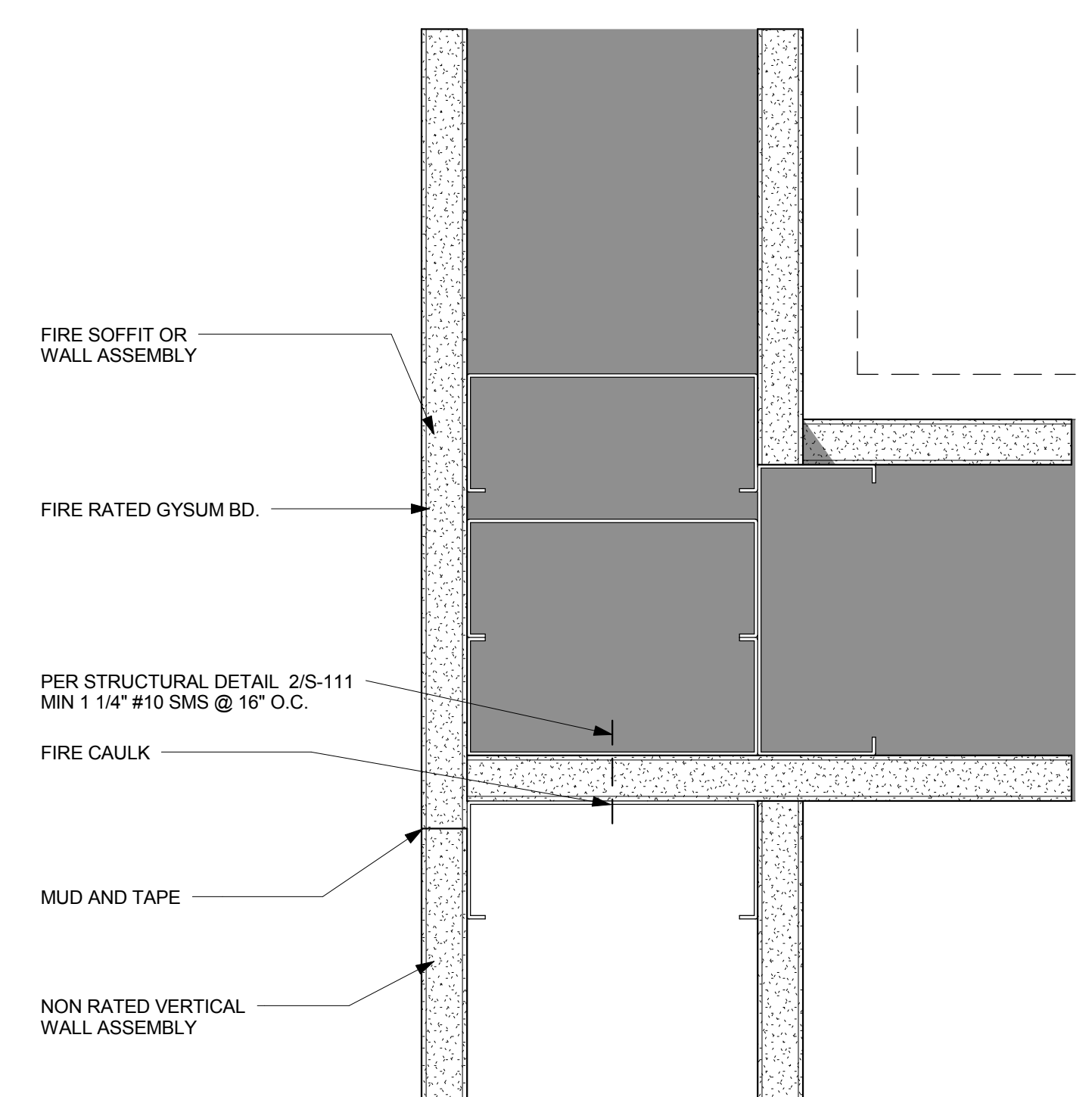
7 COLUMN DETAIL @ A/9
3\"/>



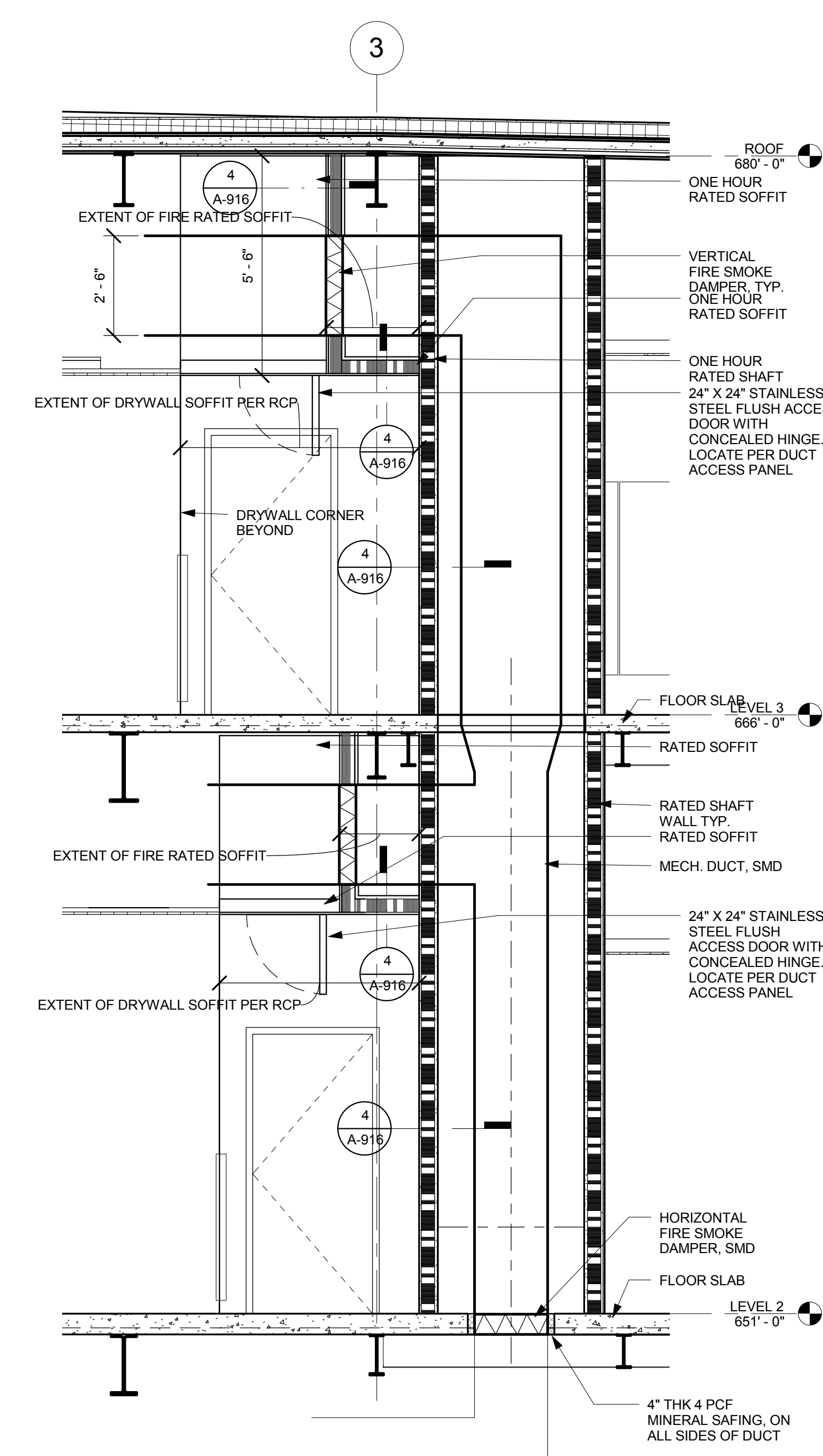
6 COLUMN DETAIL @ D/10
1\"/>



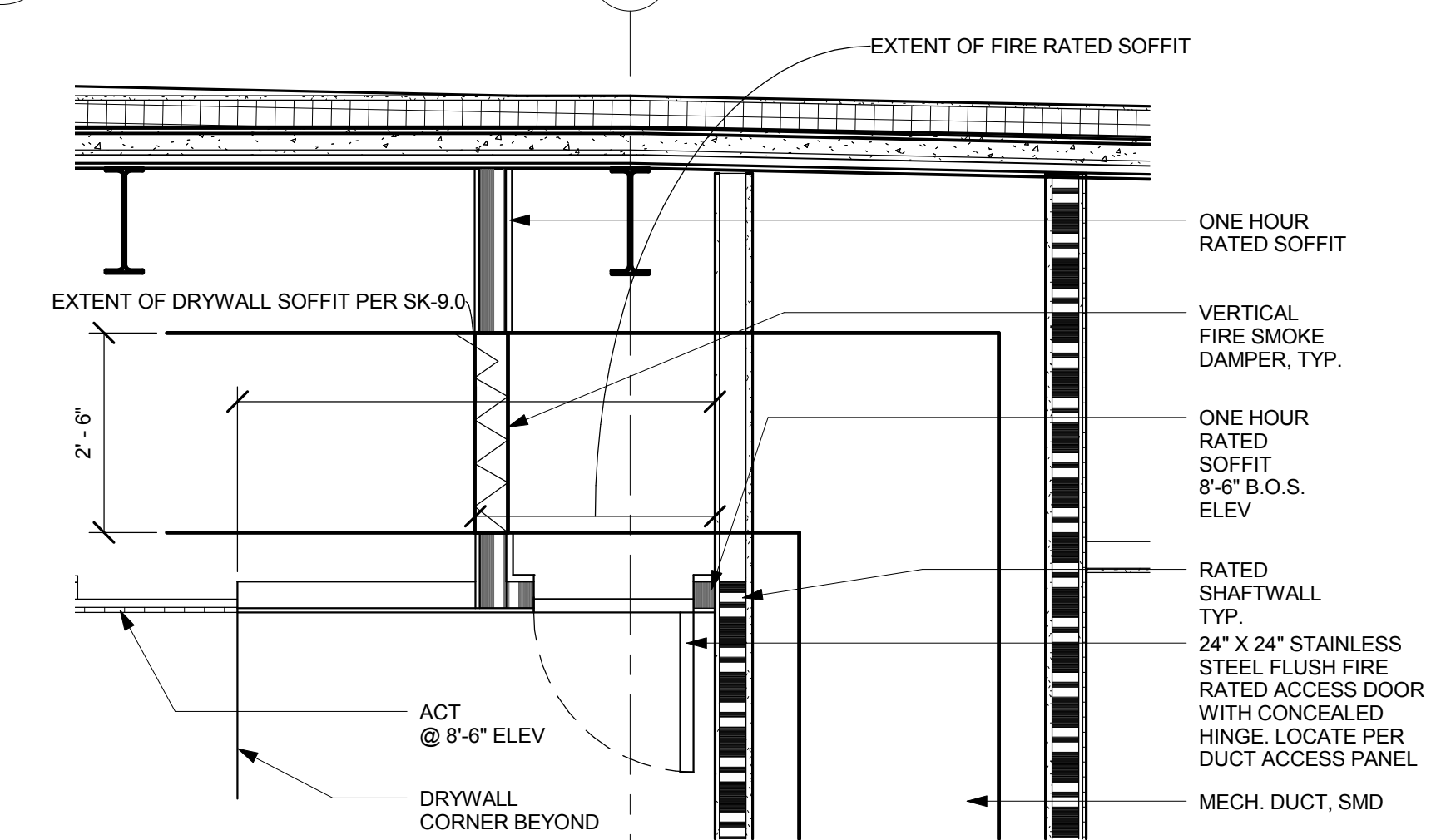
5 TYPICAL HSS COLUMN FURRING DETAIL
1 1/2\"/>



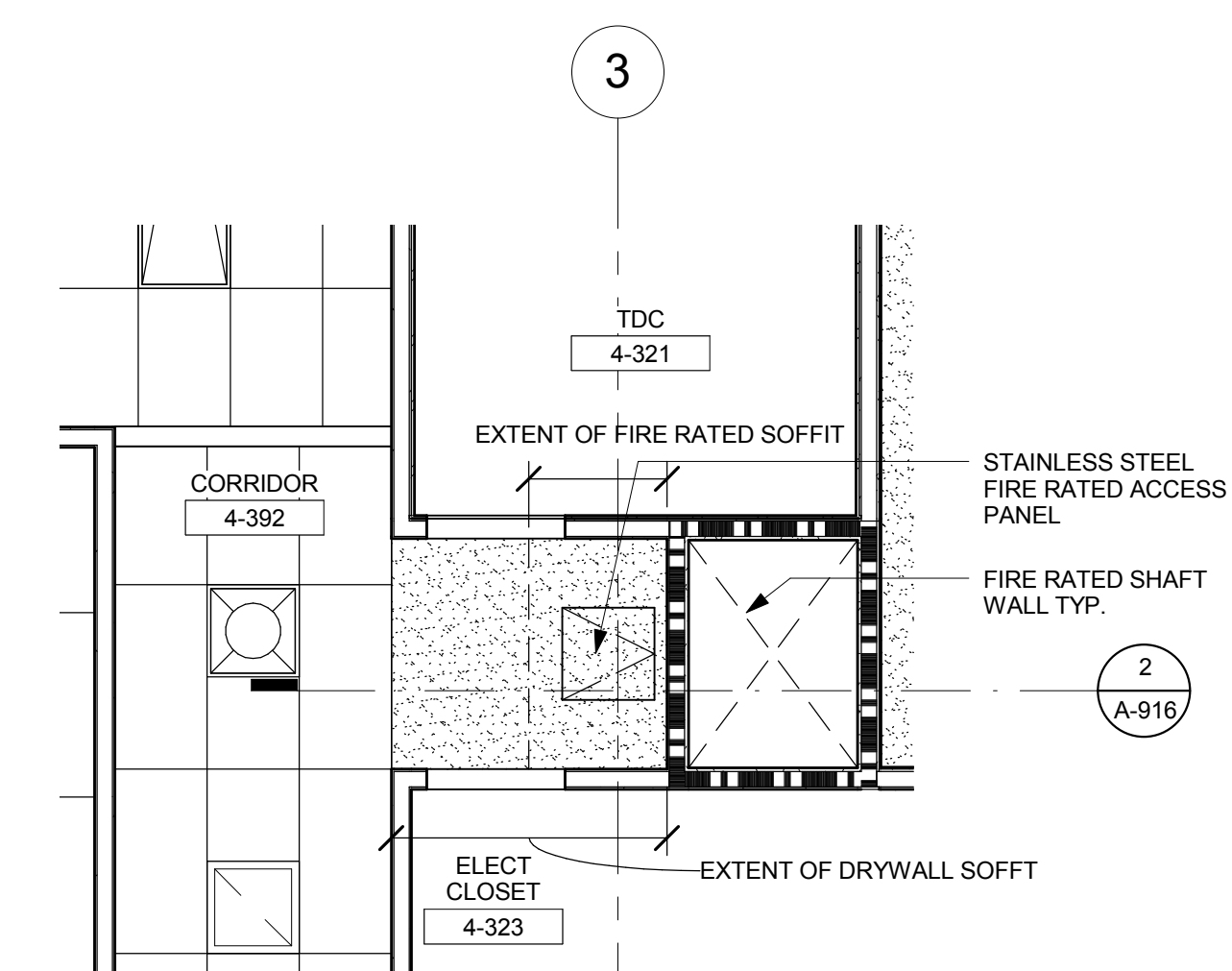
4 FIRE RATED SHAFT WALL AND SOFFIT
6\"/>



3 MECH SHAFT - HORT. FSD
3\"/>



2 SK-9.1-ACCESS SOFFIT
1/2\"/>



1 SK-9.0 ACCESS-PANEL
1/4\"/>