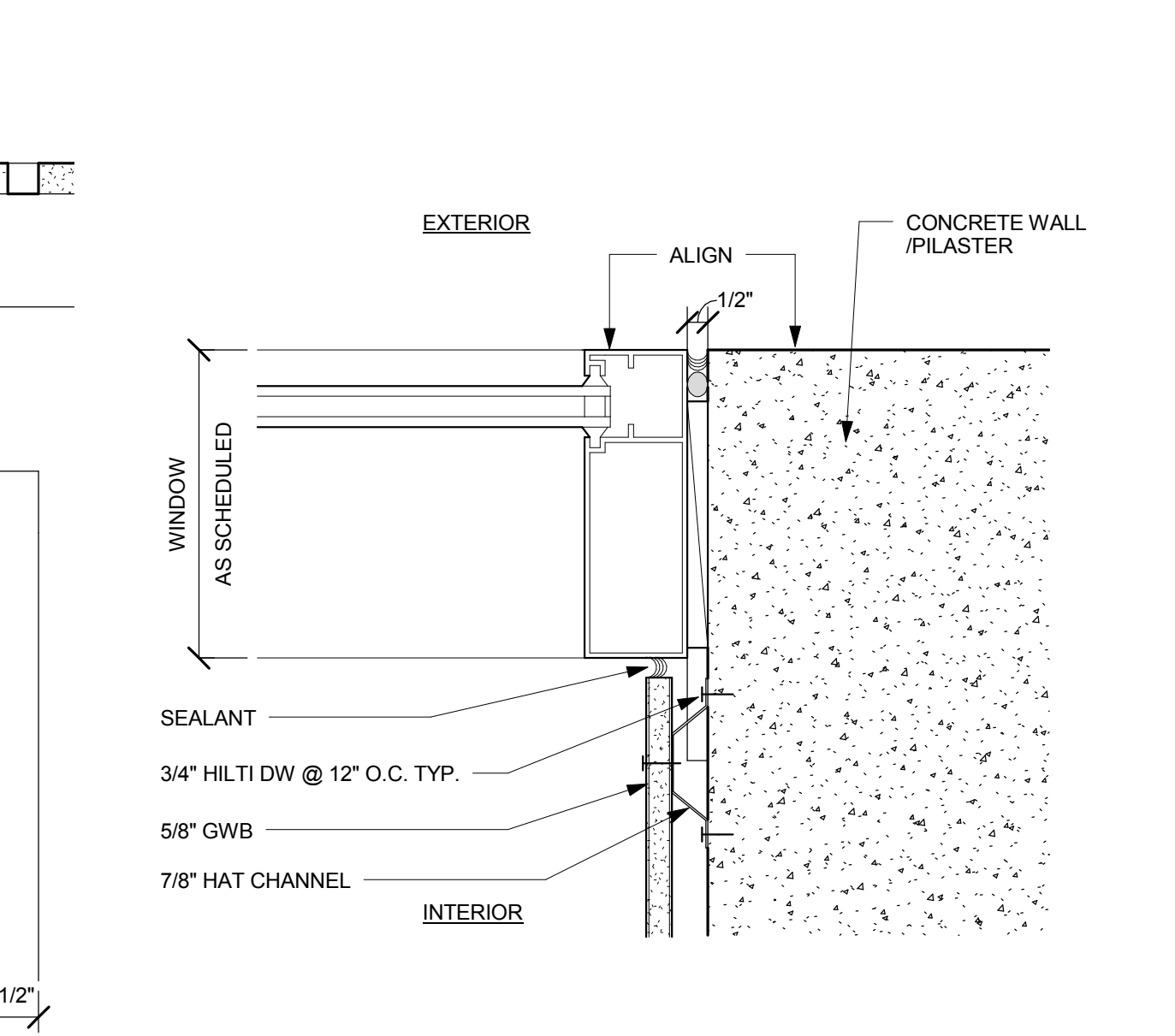
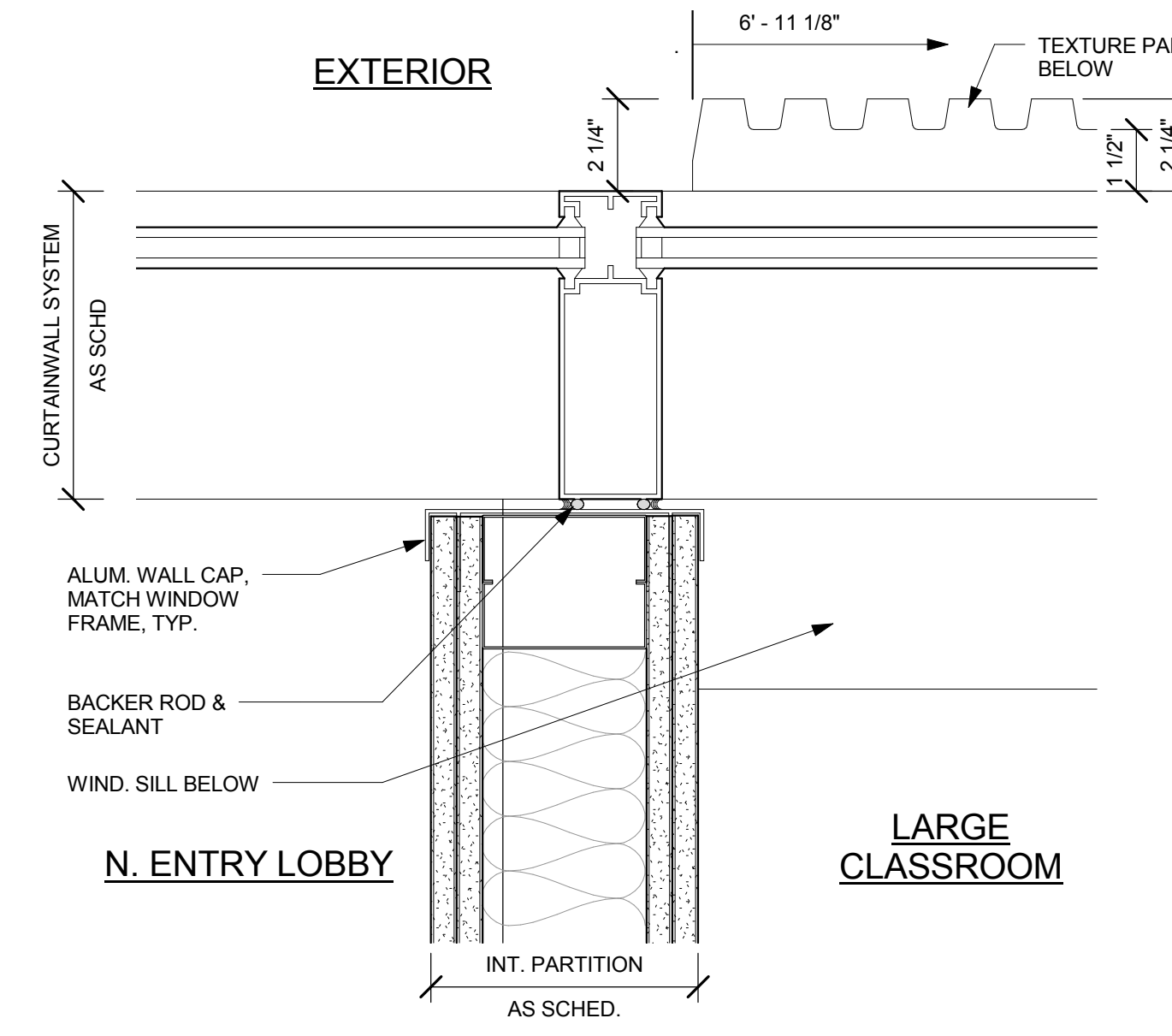


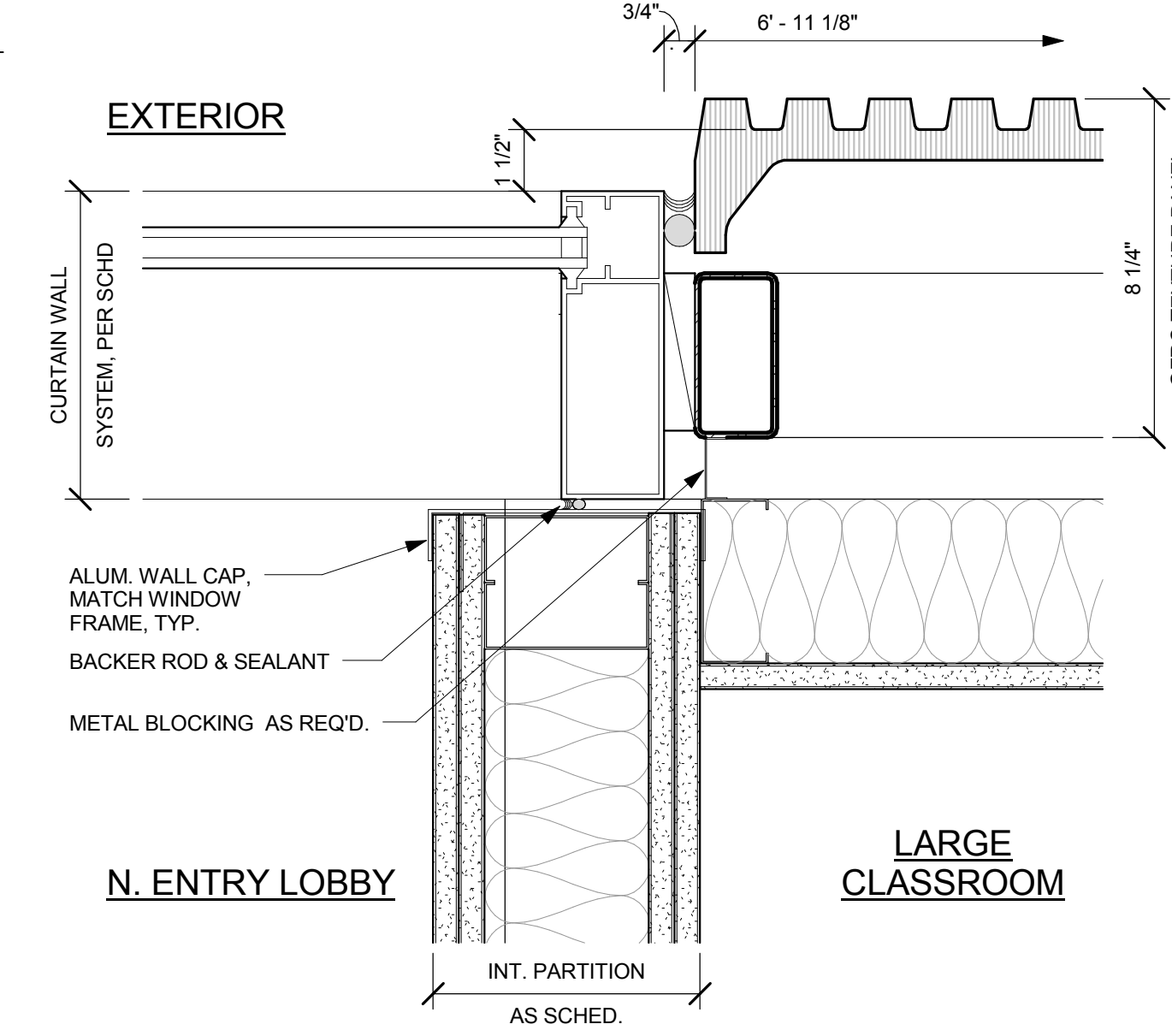
20 WINDOW WALL JAMB - AT ST06
3\"/>



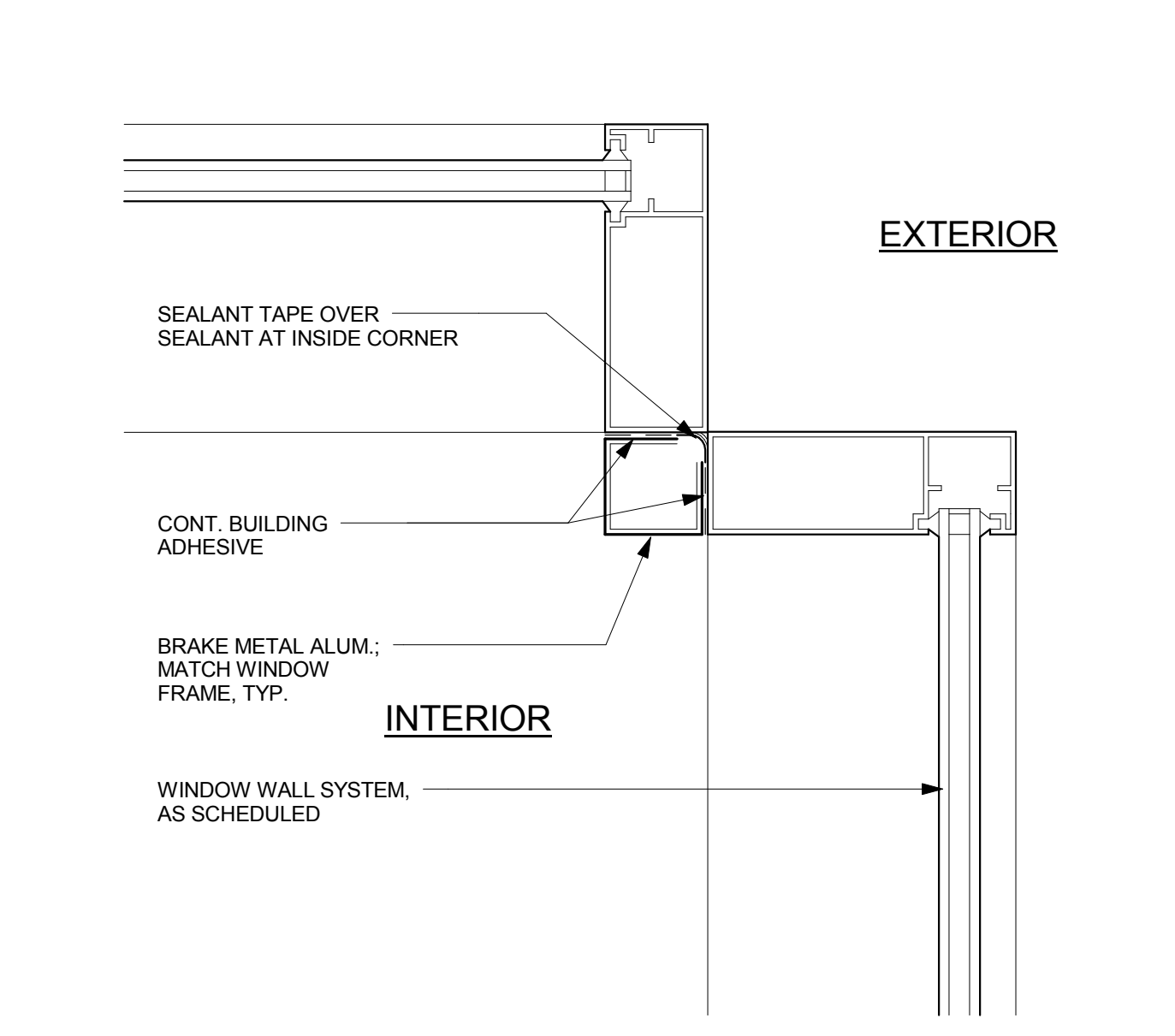
16 WINDOW WALL JAMB AT CONC. WALL
3\"/>



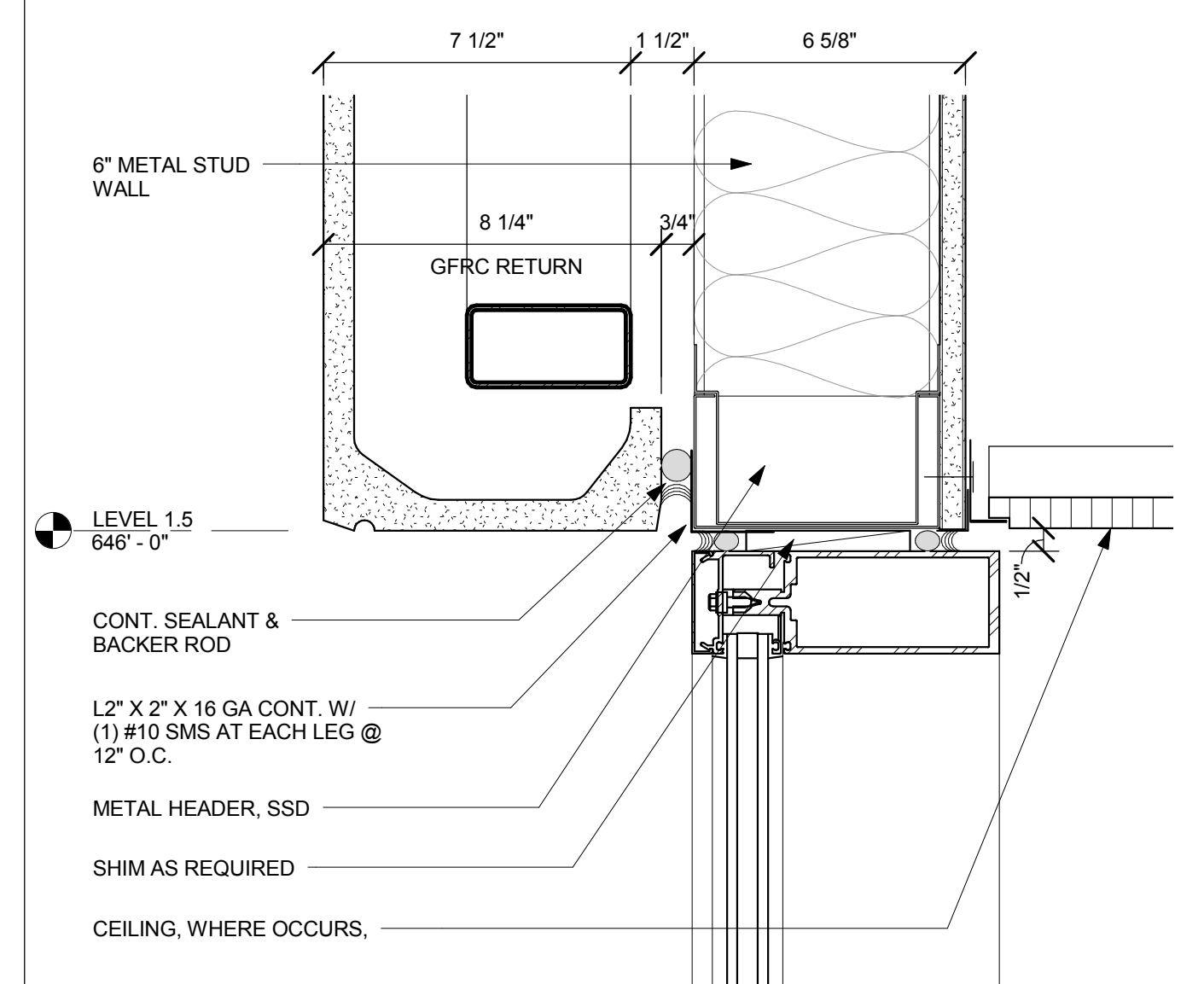
12 WIND. WALL JAMB AT N. ENTRY LOBBY
3\"/>



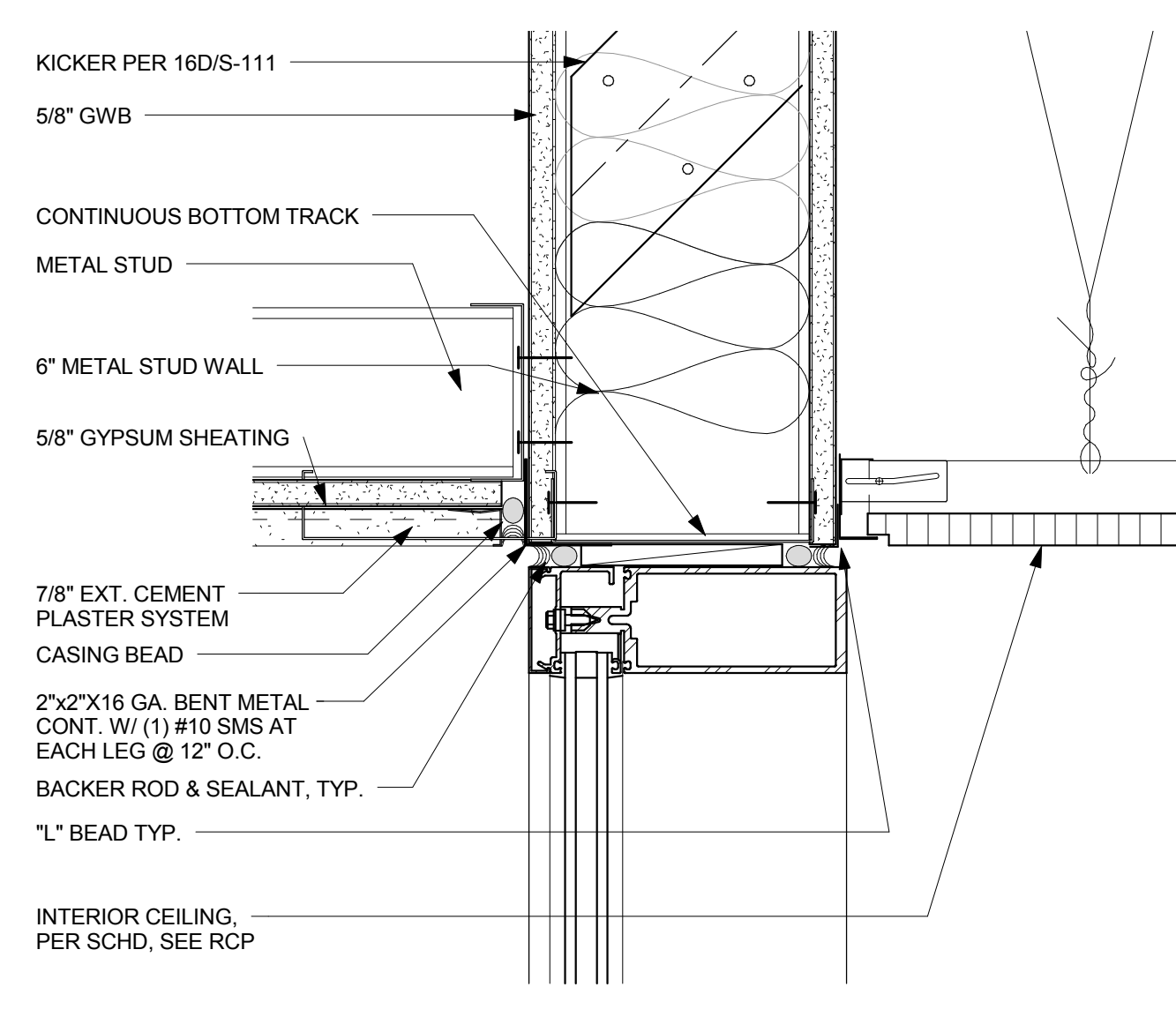
8 WIND. WALL JAMB - N. ENTRY LOBBY
3\"/>



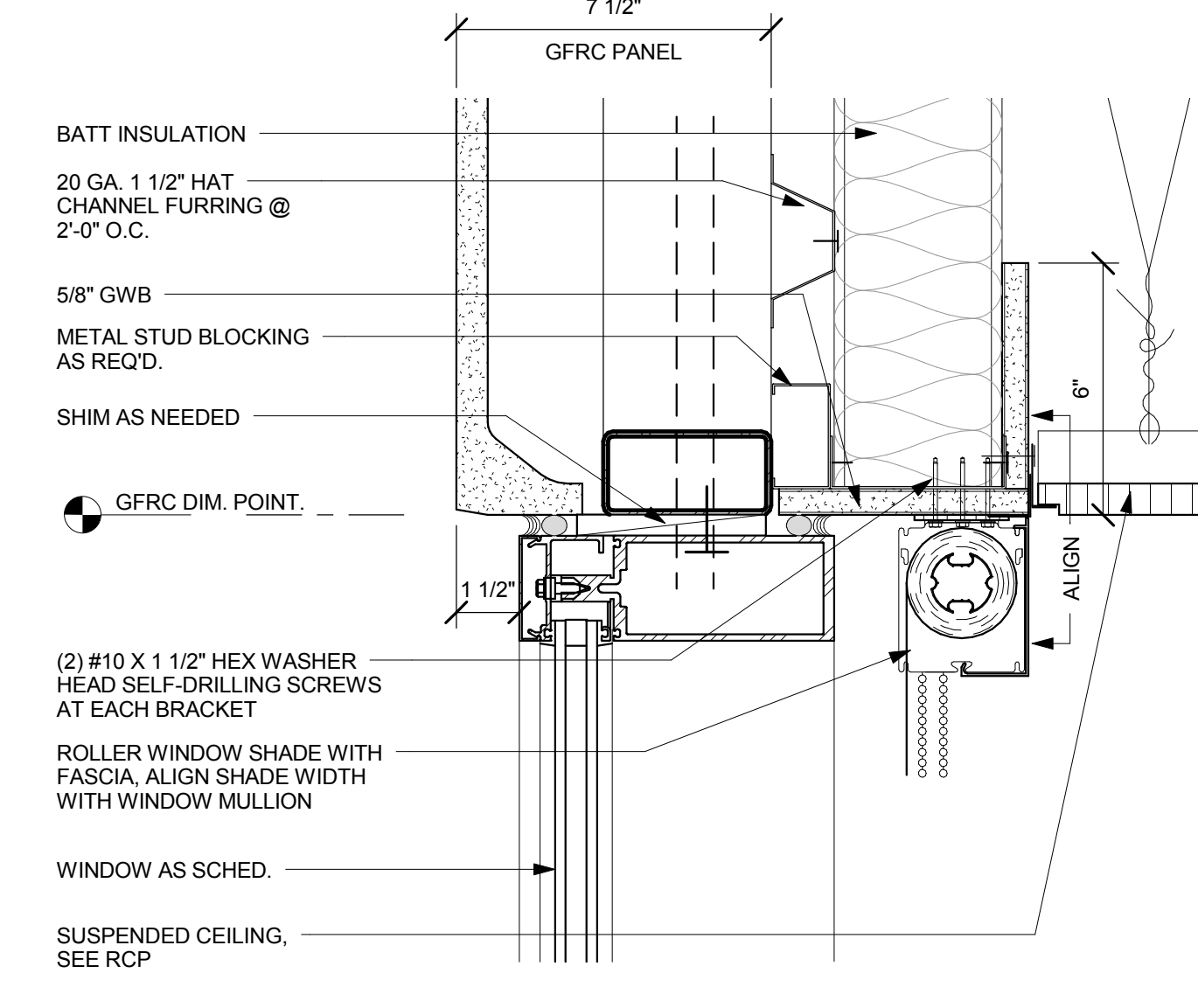
4 WINDOW WALL CORNER, TYP.
3\"/>



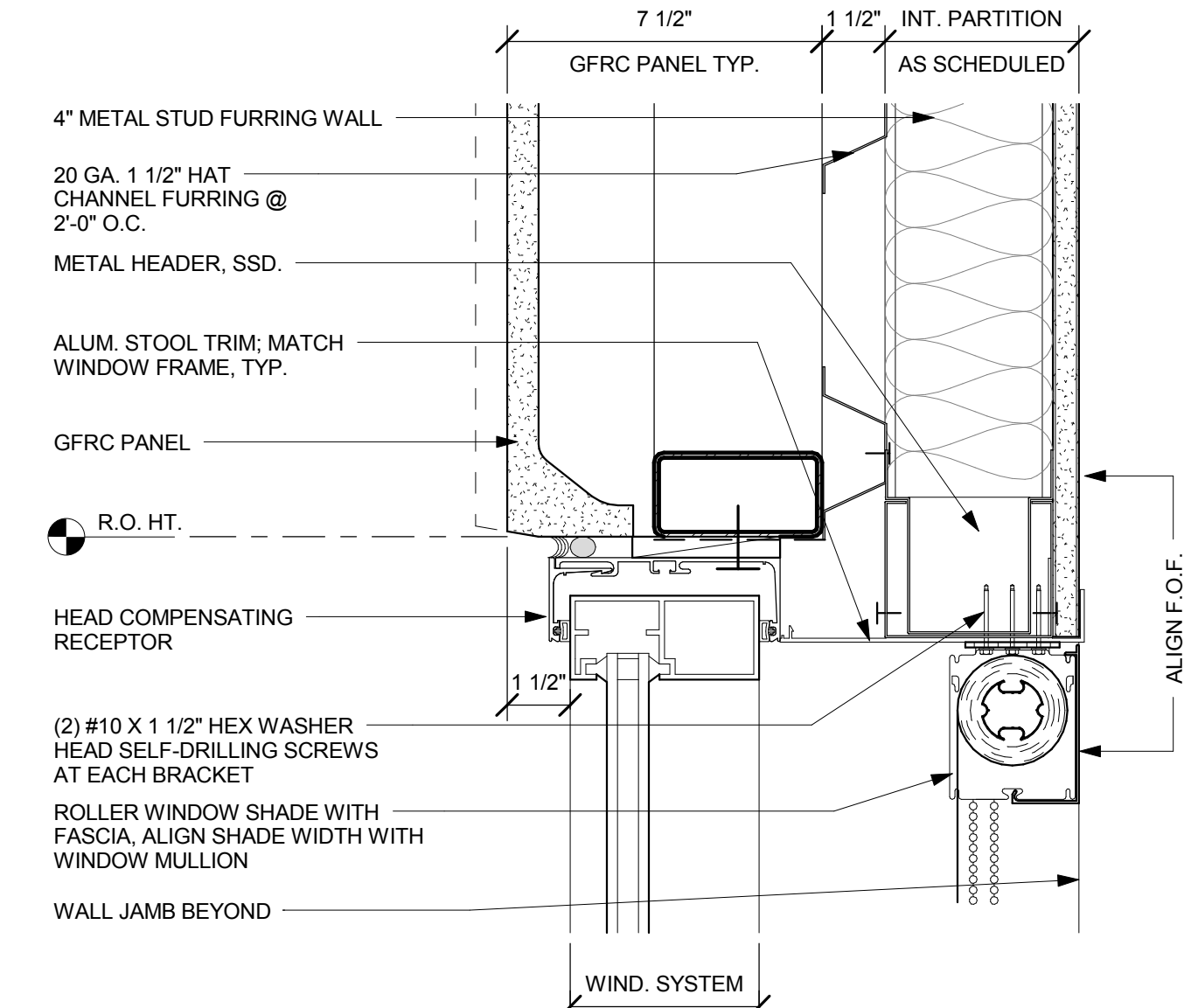
19 WINDOW WALL HEAD - LINE 4 - LEVEL 1
3\"/>



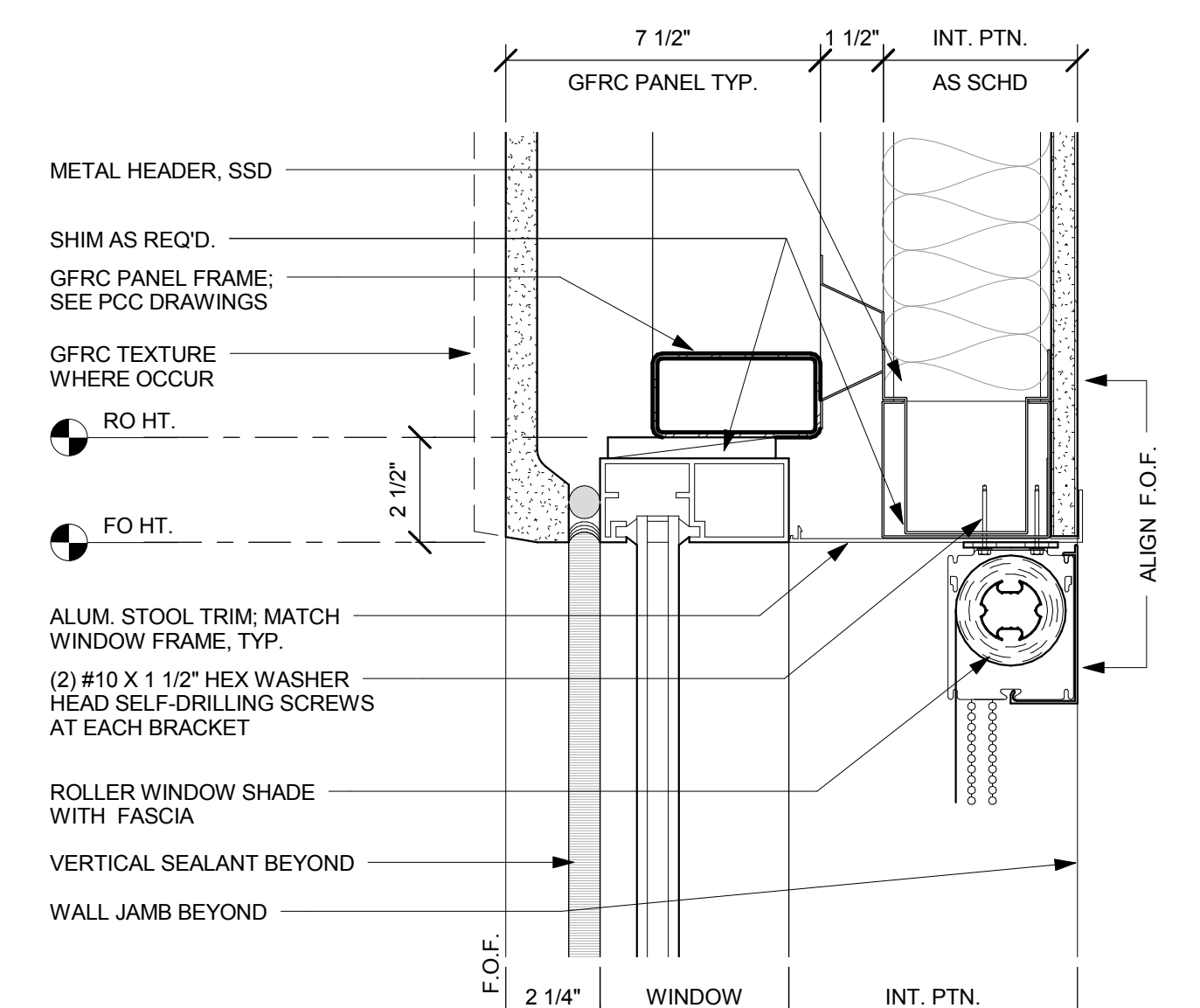
15 WINDOW WALL HEAD AT SOFFIT
3\"/>



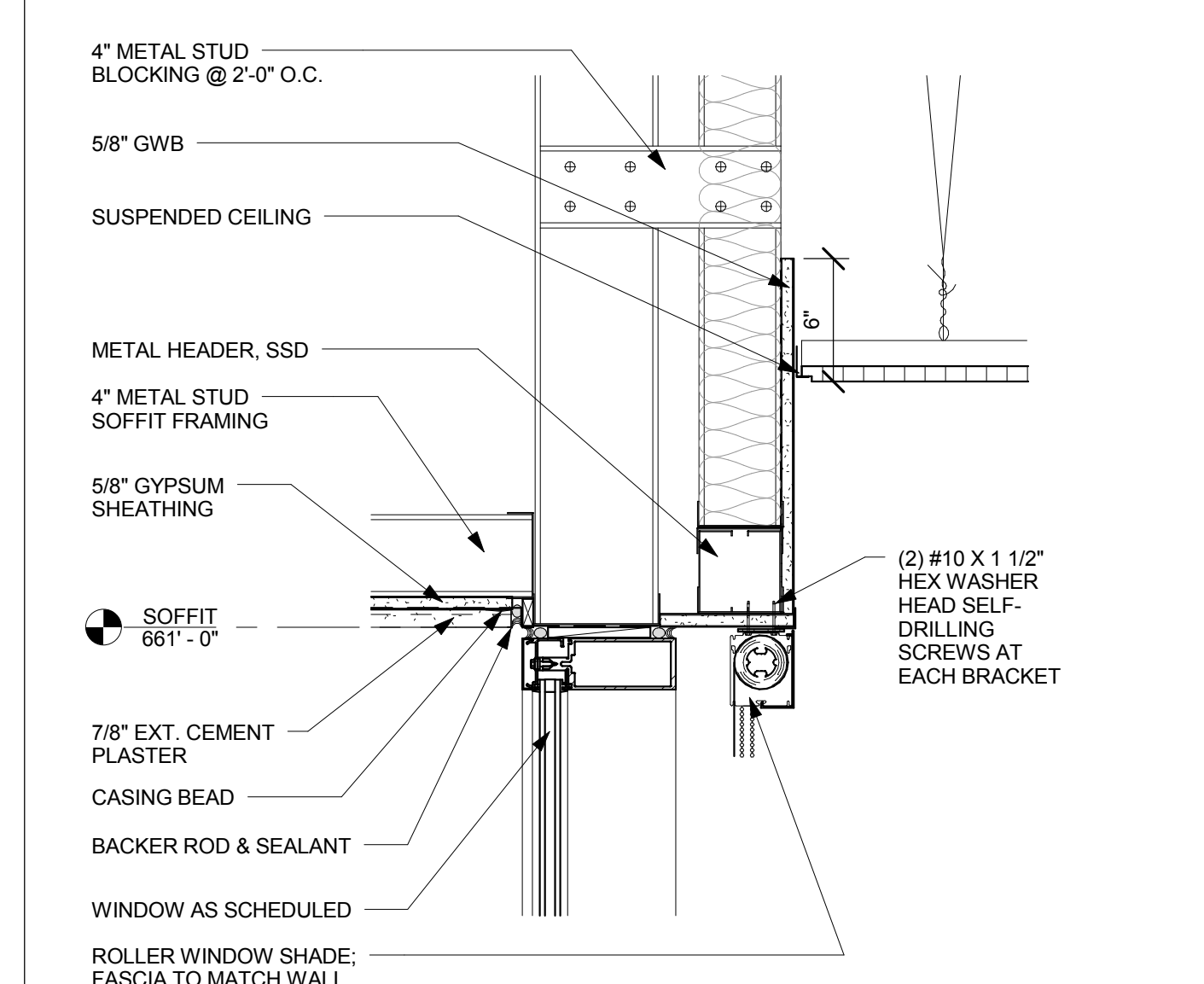
11 WINDOW WALL HEAD AT GFRF, TYP.
3\"/>



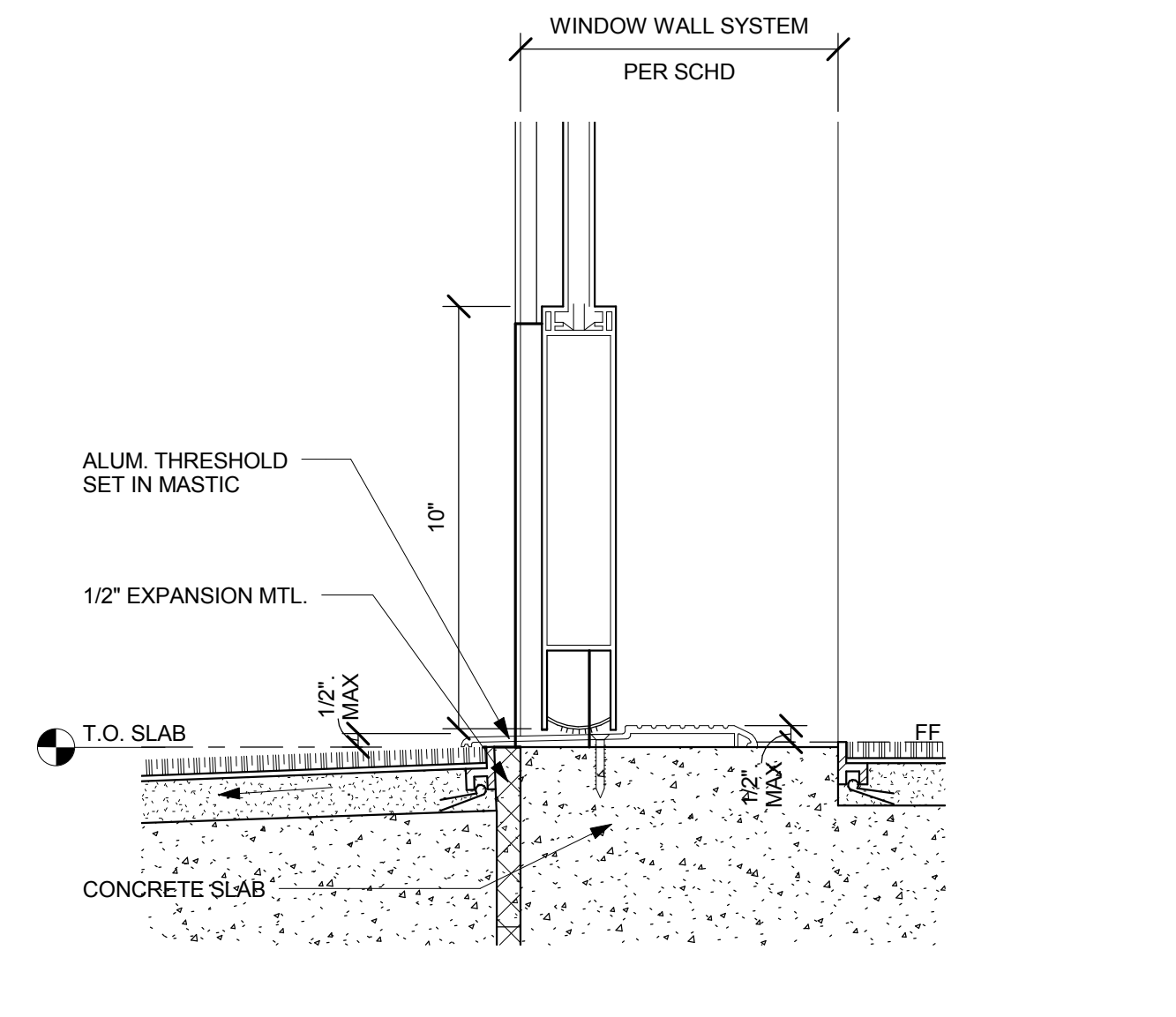
7 RIBBON WINDOW HEAD DETAIL
3\"/>



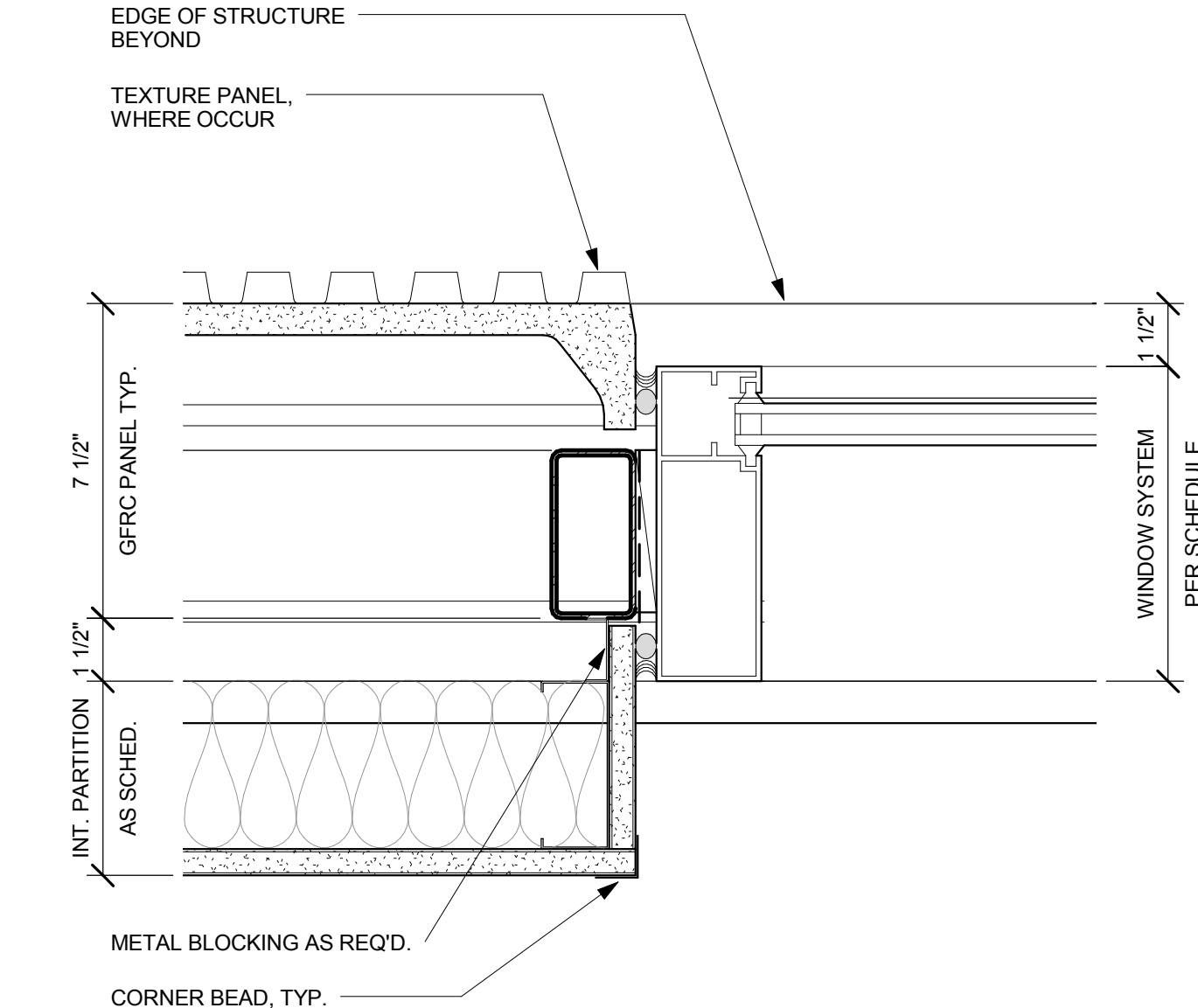
3 WINDOW HEAD, TYP.
3\"/>



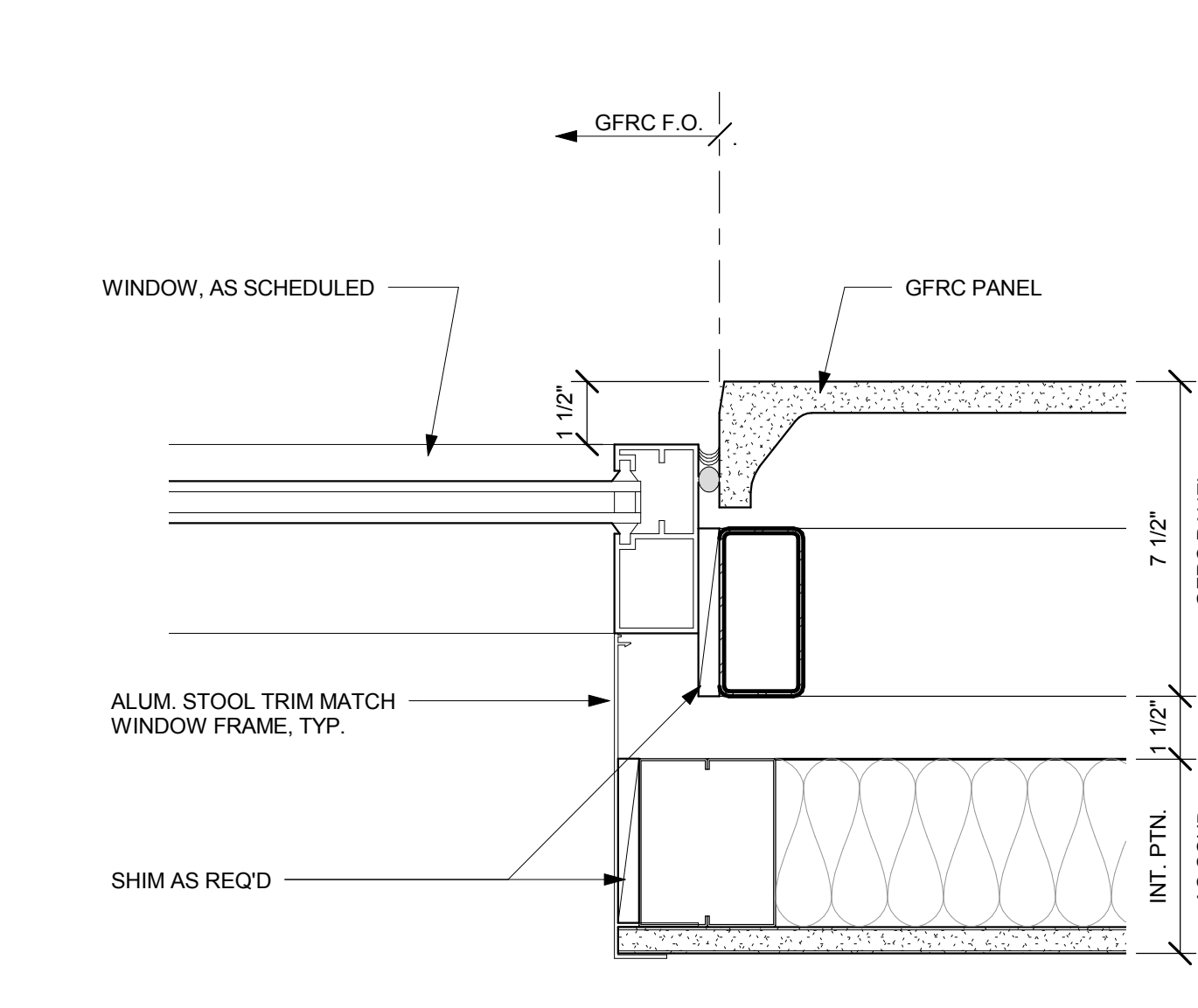
18 CLERESTORY HEAD - AT SOFFIT
1 1/2\"/>



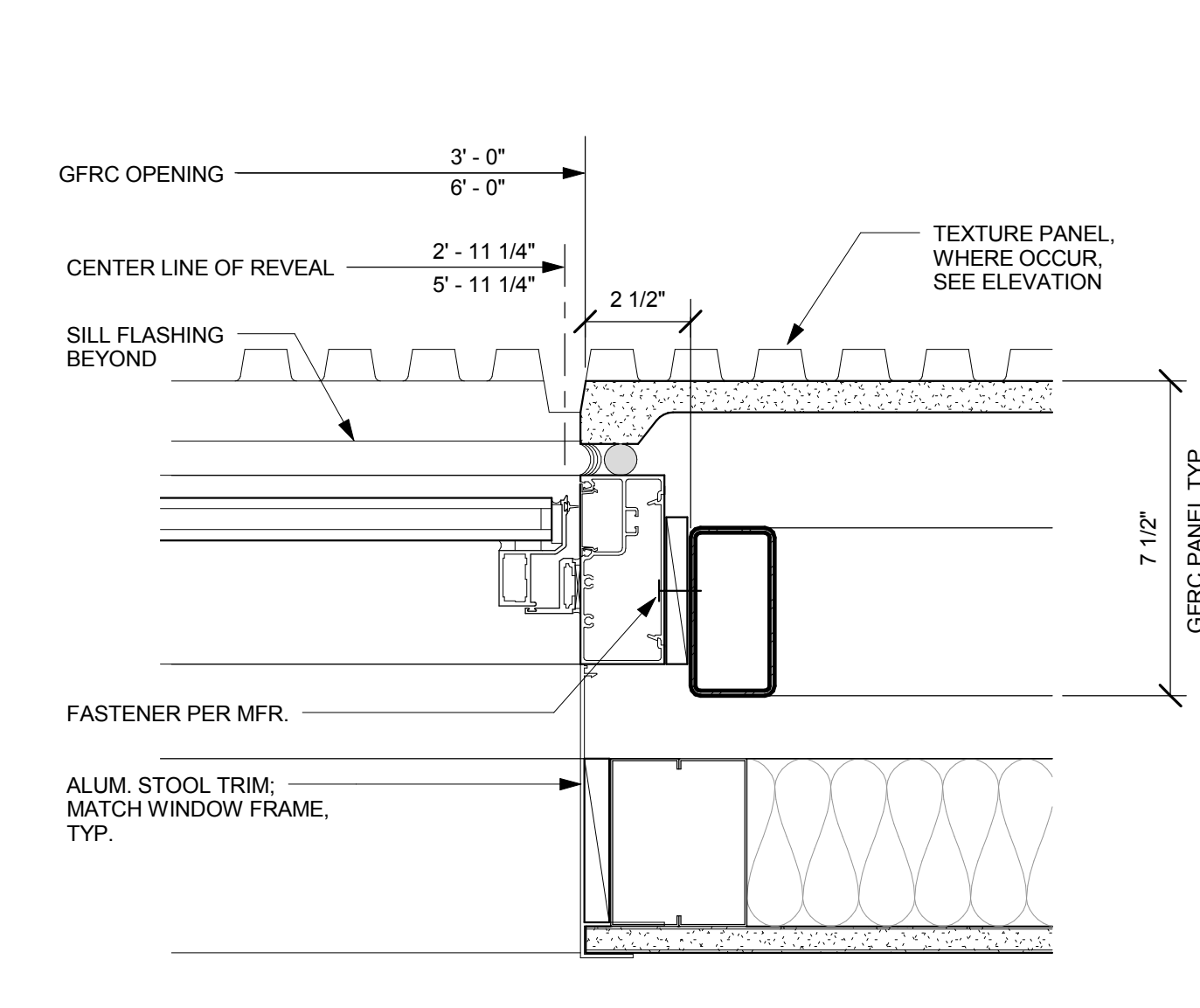
14 WINDOW WALL THRESHOLD, TYP.
3\"/>



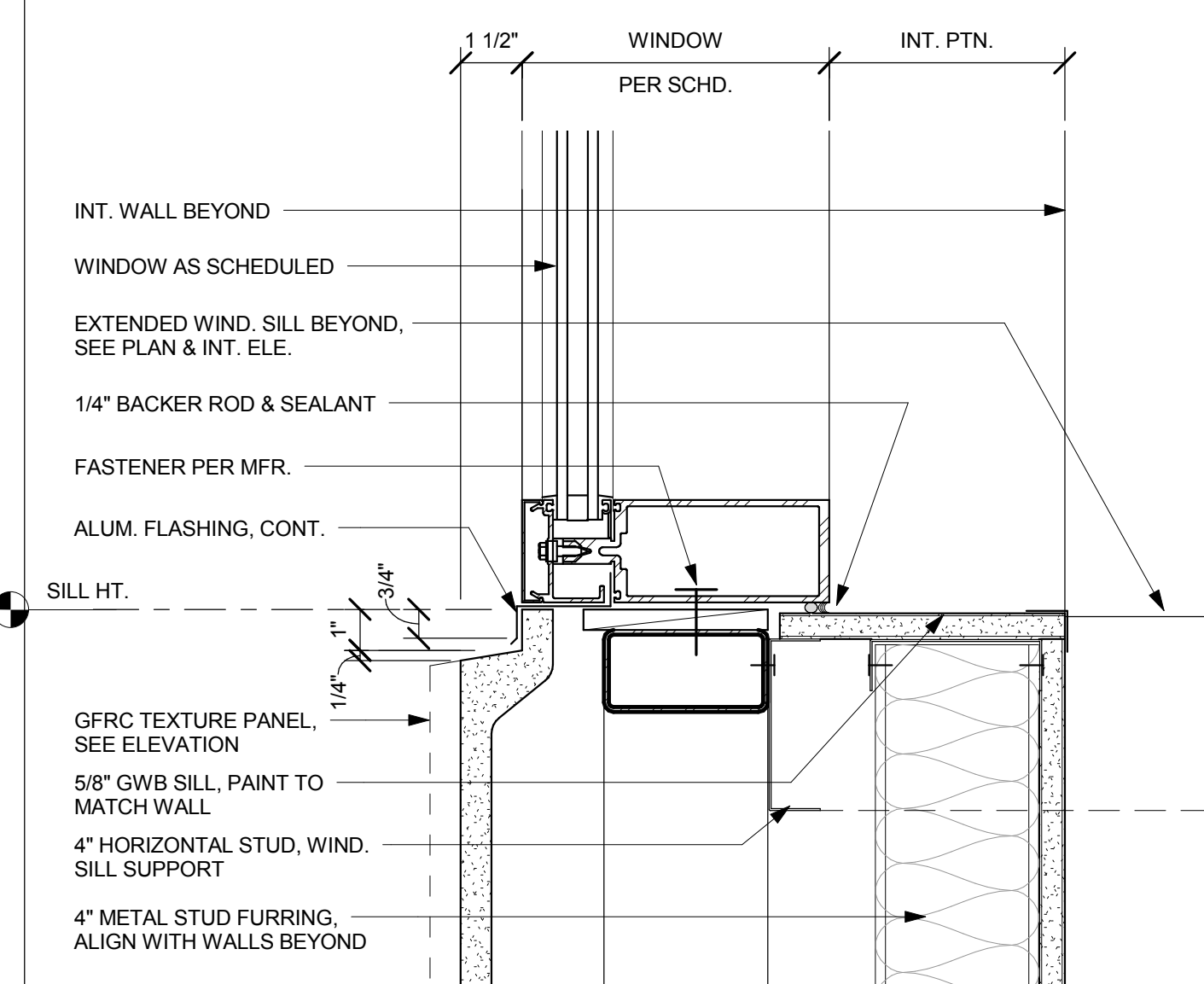
10 WINDOW WALL JAMB AT GFRF, TYP.
3\"/>



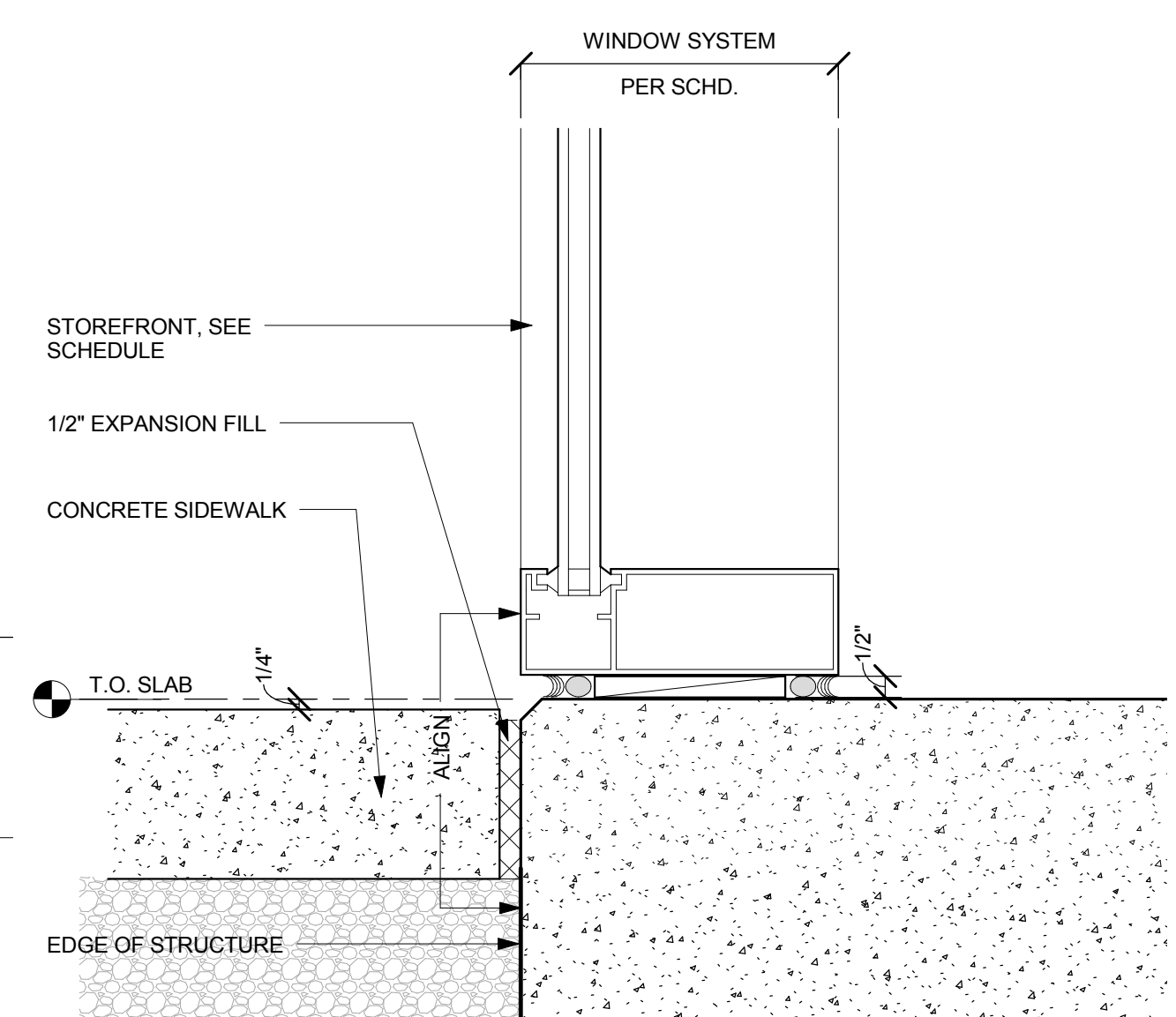
6 RIBBON WINDOW JAMB
3\"/>



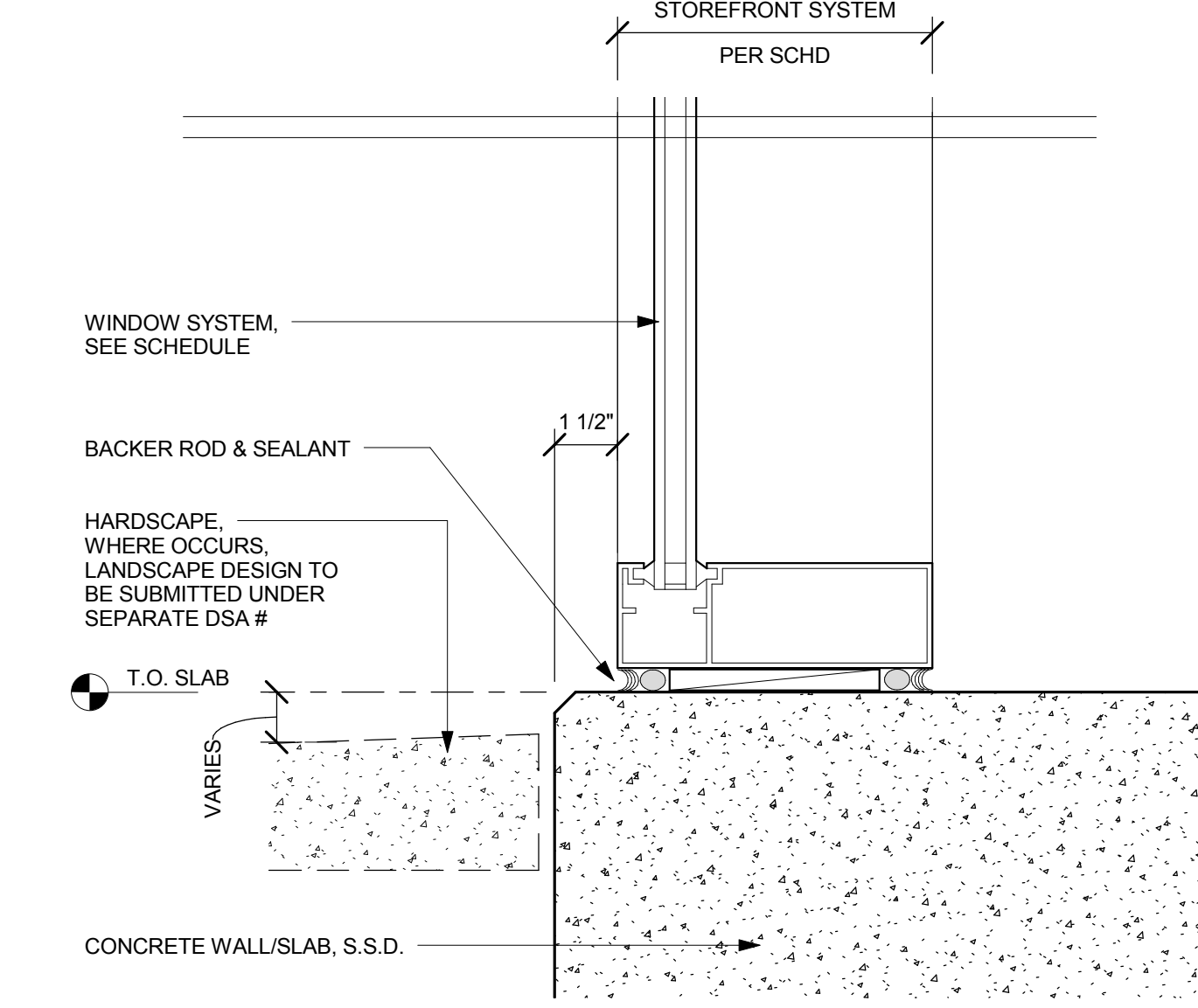
2 WINDOW JAMB, TYP.
3\"/>



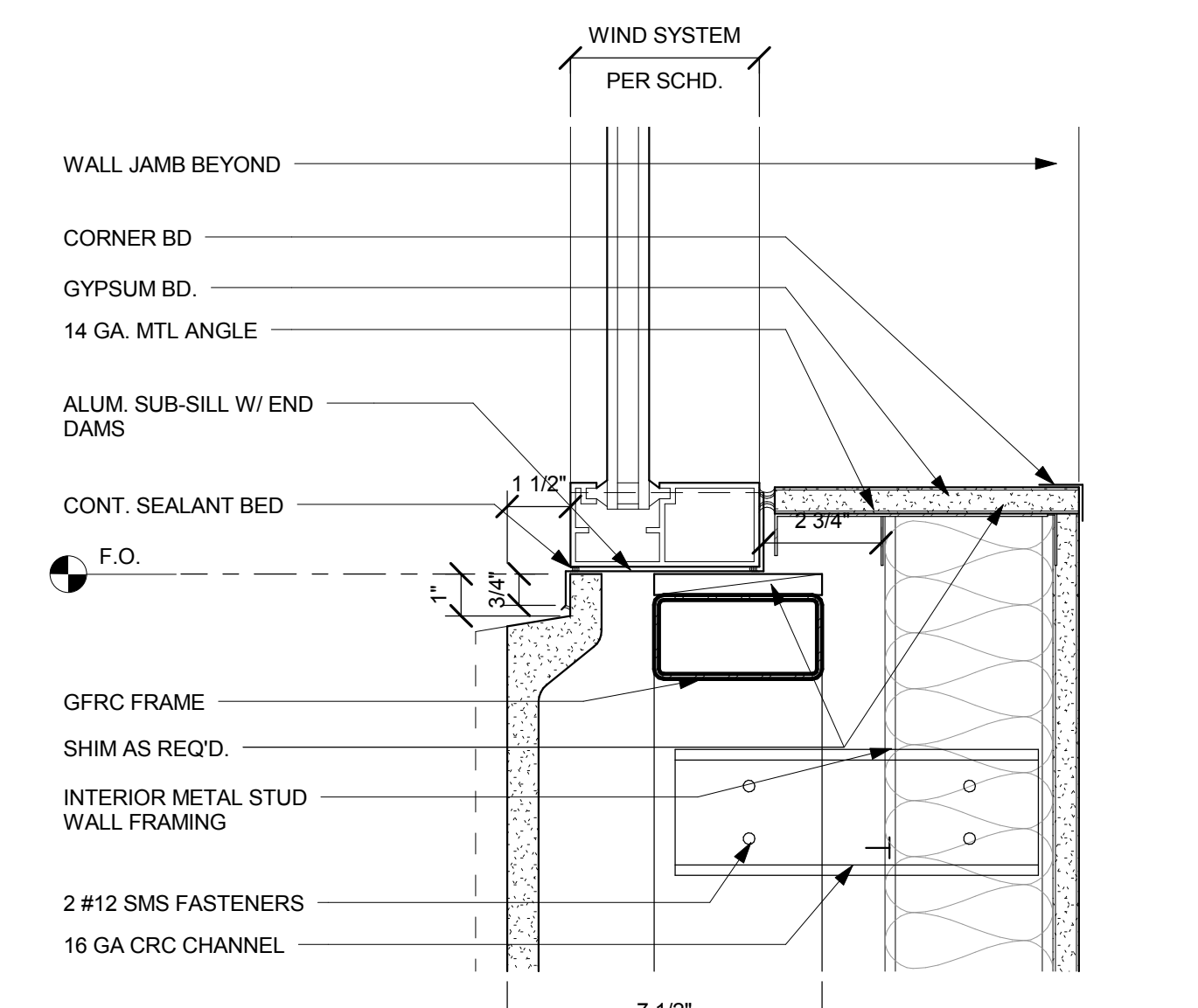
17 CLERESTORY SILL - AT GFRF
3\"/>



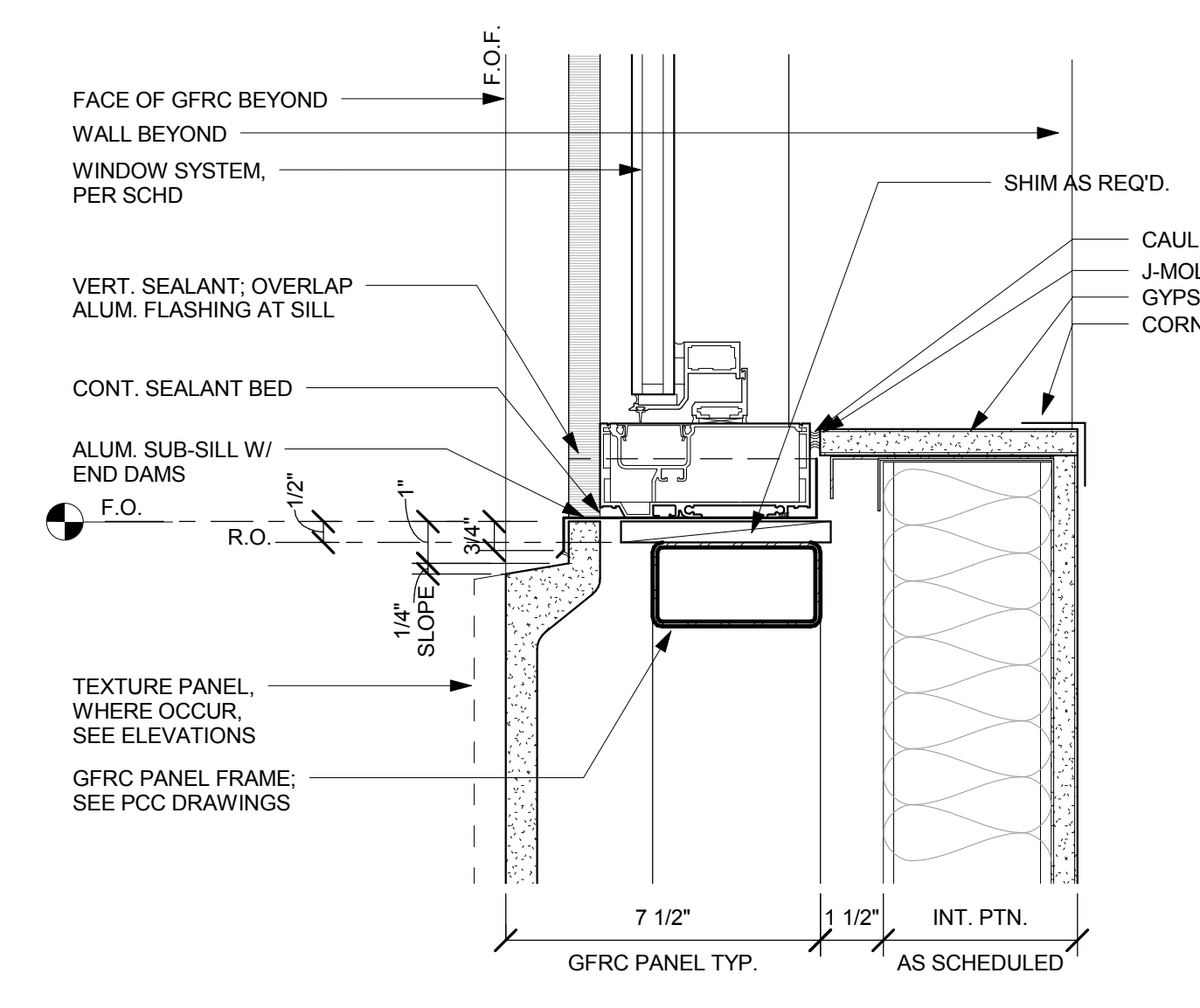
13 WINDOW WALL SILL - AT SOFFIT
3\"/>



9 WINDOW WALL SILL ON CIP WALL, TYP.
3\"/>



5 RIBBON WINDOW SILL DETAIL
3\"/>



1 WINDOW SILL, TYP.
3\"/>

NO. ISSUES/REVISIONS DATE

PROJECT RECORD SET

BUILDING 4
SKYLINE COLLEGE
SAN MATEO COUNTY
COMMUNITY COLLEGE
DISTRICT

CIP2 DESIGN-BUILD
PROJECT
BUILDING 4

PROJECT NO.: 07012.00
DATE: 07/23/08
SCALE: As indicated

SHEET TITLE:
WINDOW DETAILS
- EXTERIOR

SHEET NO. A-744

All drawings and written material appearing herein constitute original and unpublished work of the Architect/Engineer and may not be duplicated, used or disclosed without consent of Architect/Engineer.

If this drawing is not 30"x42", then the drawing has been revised from its original size. Note: scales must be adjusted. This line should be equal to one inch.