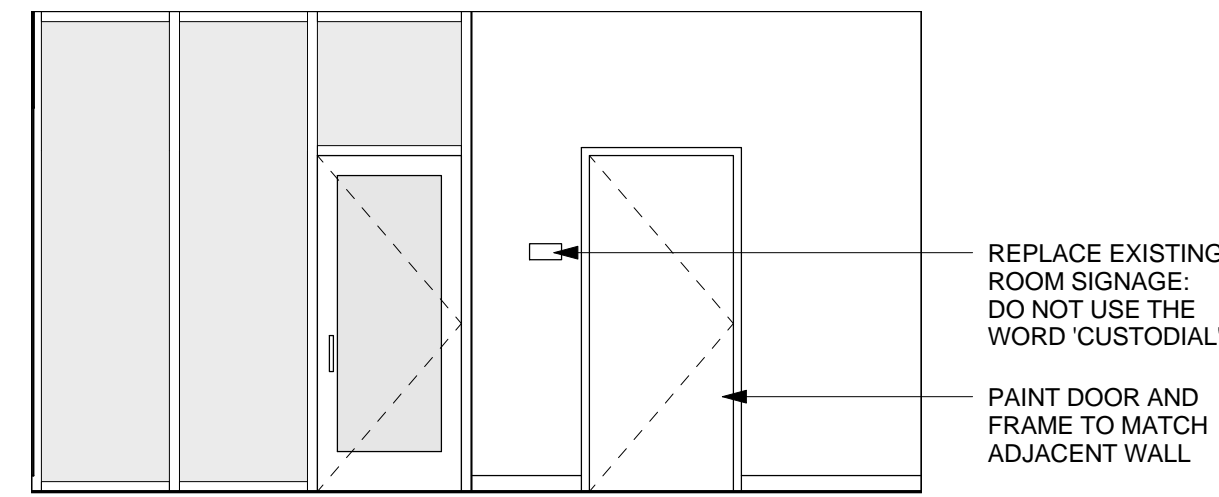


GENERAL NOTES

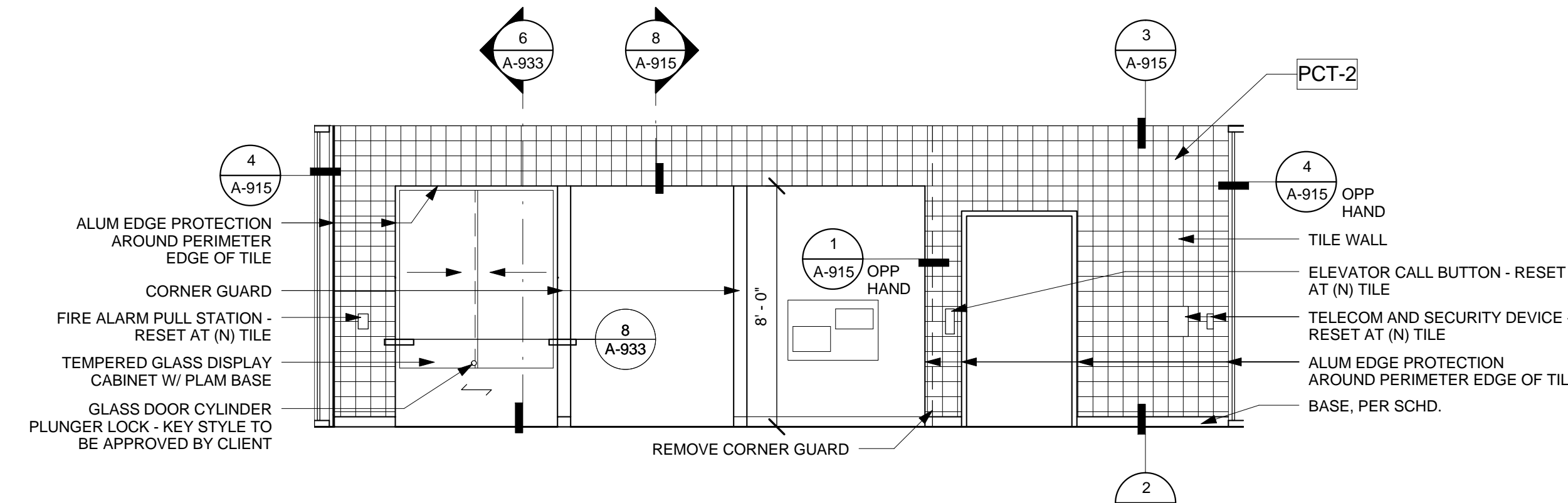
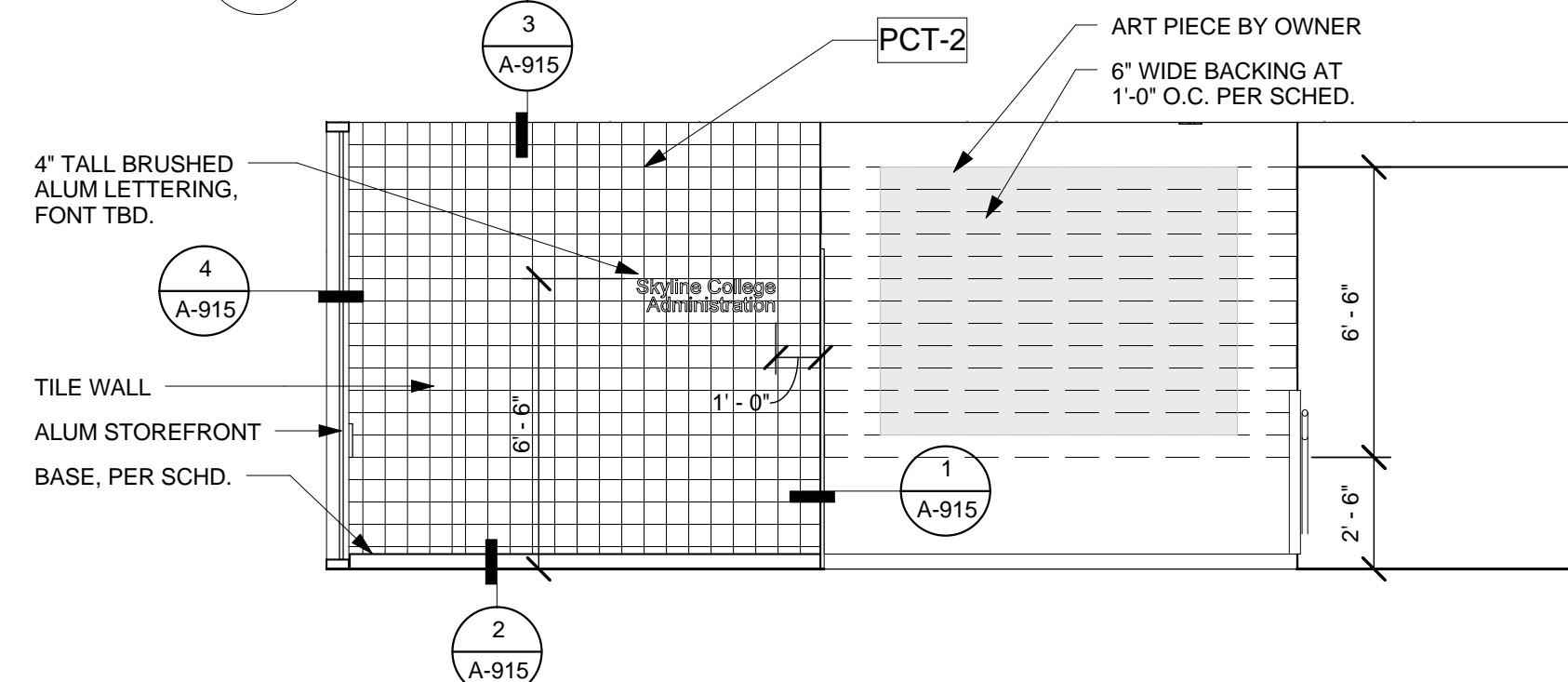
- SEE DETAILS 1 & 10/A-900 FOR ACCESSIBLE MOUNTING HEIGHTS AND CLEARANCE DIMENSIONS OF FIXTURES NOT SHOWN.
- FOR FINISHES, SEE FINISH SCHEDULE ON SHEET AI-101, 102&103
- SEE 9/A-502 FOR TYPICAL CERAMIC TILE PATTERN.
- CLOTHES HOOK AND BUMPER ON STALL DOORS AT 60" A.F.F. ON CENTER, AT 38"-40" A.F.F. FOR ADA WATER CLOSET.
- SEE INTERIOR FINISH SCHEDULE SECTION 090020 FOR FINISHES
- SEE 9/A-914 FOR TYP. TILE FLOOR - THINSET DETAIL.

KEY NOTES - RESTROOM

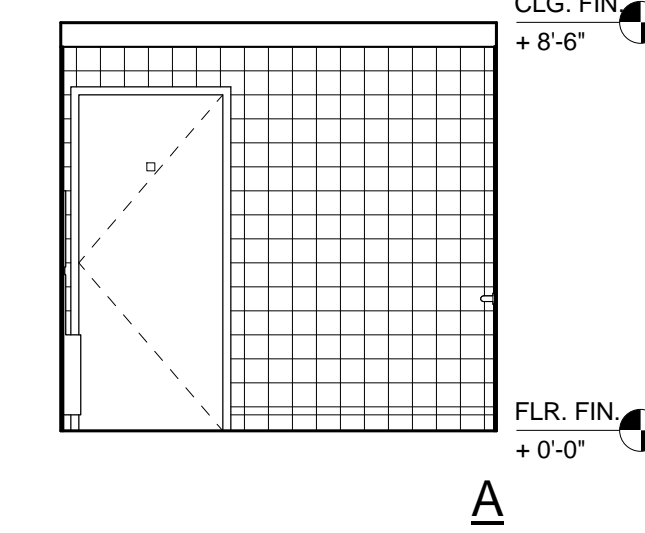
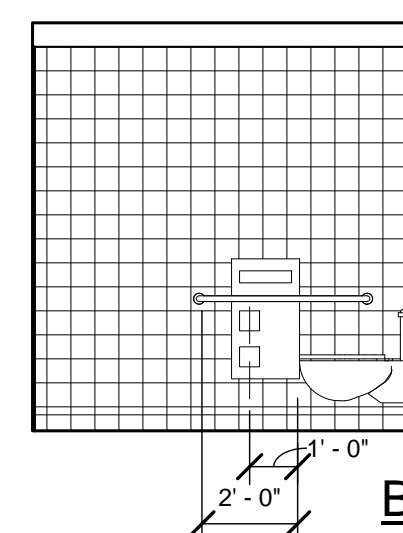
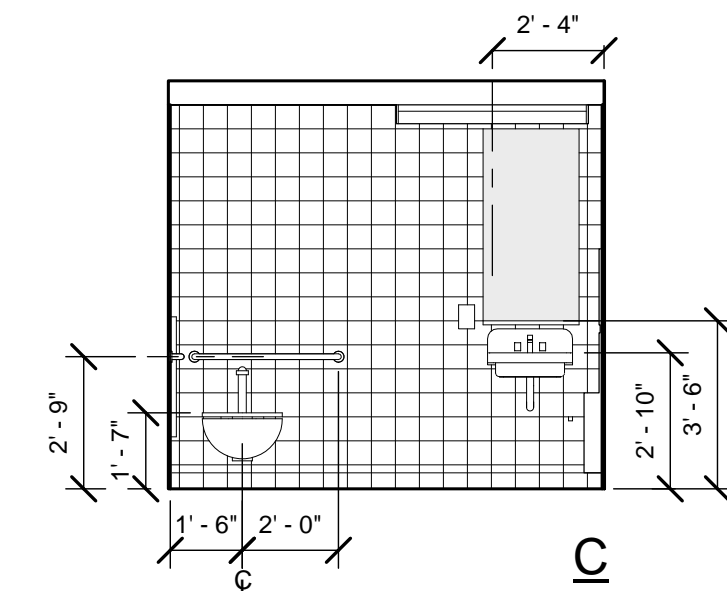
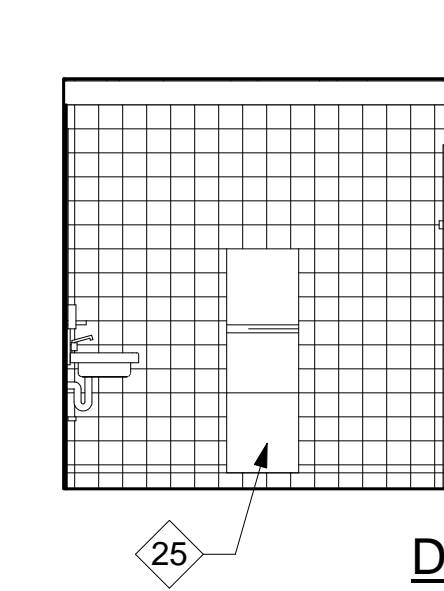
- PARTITION MOUNTED SEAT COVER & TOILET TISSUE DISPENSERS
- RECESSED SEAT COVER & TOILET TISSUE DISPENSERS
- SURFACE MOUNTED SEAT COVER & TOILET TISSUE DISPENSERS
- NOT USE
- WALL MOUNTED SOAP DISPENSER
- STAINLESS STEEL CHANNEL FRAME GLASS MIRROR/SHELF COMBINATION
- WALL HUNG URINAL SCREEN
- WALL/DOOR MOUNTED CONVENIENCE COAT HOOK
- SANITARY NAPKIN/TAMPON VENDOR
- ACCESS PANEL FOR WATER HAMMER ARRESTOR & AP PRIMER, S.P.D. FOR LOCATION
- OVERHEAD-BRACED TOILET PARTITION
- 36" MIN. 1-1/2" DIAMETER GRAB BAR. SEE 5/A-900 FOR ANCHORAGE DETAIL.
- 42" MIN. 1-1/2" DIAMETER GRAB BAR. SEE 5/A-900 FOR ANCHORAGE DETAIL.
- CERAMIC TILE, SEE DETAIL 9/A-502
- CERAMIC TILE COVERED BASE
- WALL MOUNTED TOILET, S.P.D.
- WALL MOUNTED URINAL, S.P.D.
- WALL-HUNG LAVATORY. SEE DETAIL 2/A-913 INSULATE DRAIN AND HOT WATER PIPE, S.P.D.
- DRINKING FOUNTAIN, SEE 11/A-900
- HOSE BIB
- SEMIGLOSS PAINTED, GYPSUM TYP., SEE FINISH SCHEDULE
- CONVENIENCE SHELF
- SEMI-RECESS PAPER TOWEL DISPENSER AND WASTE CONTAINER
- SAME AS 1
- SAME AS 2
- SAME AS 3
- CORNER GUARD
- WALL TO FLOOR GRAB BAR, SEE DETAIL 13/A-900



9 4-391 ELEVATOR LOBBY - WEST
1/4" = 1'-0"

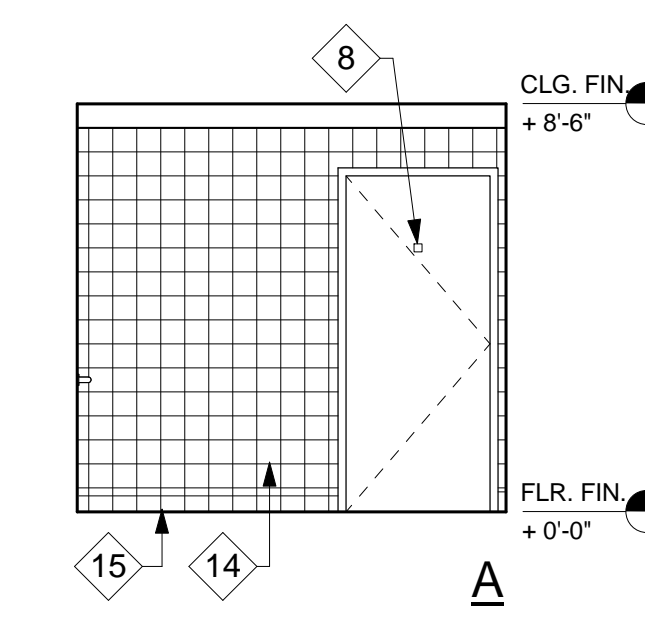
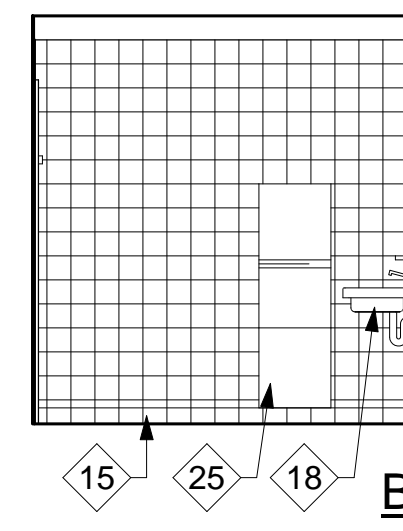
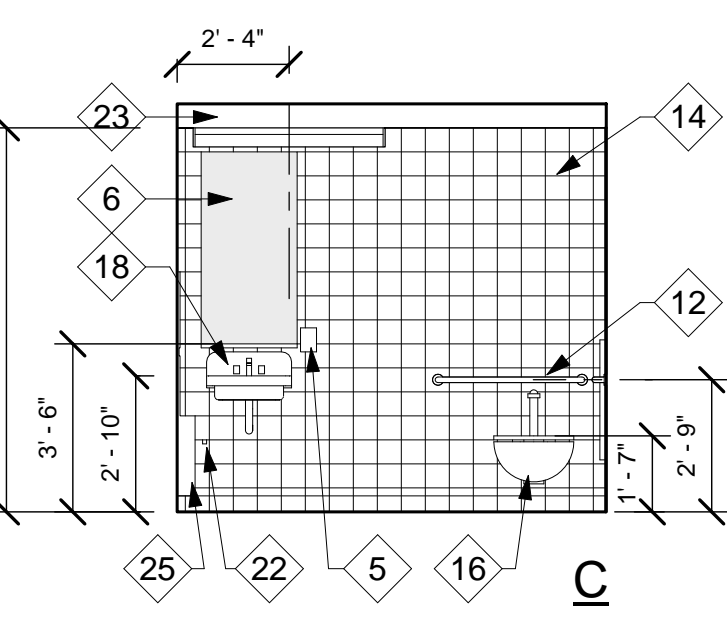
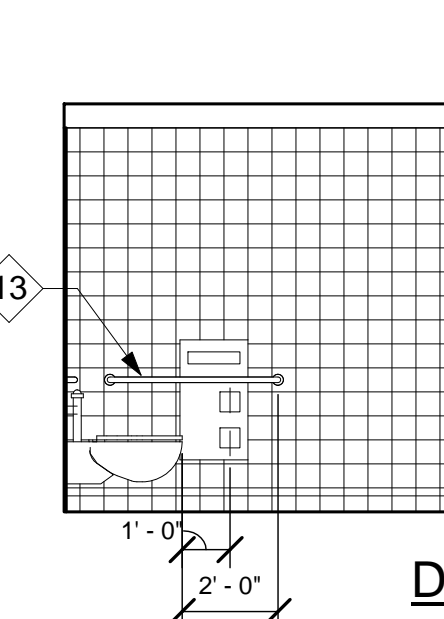


7 4-391 ELEVATOR LOBBY - NORTH
1/4" = 1'-0"

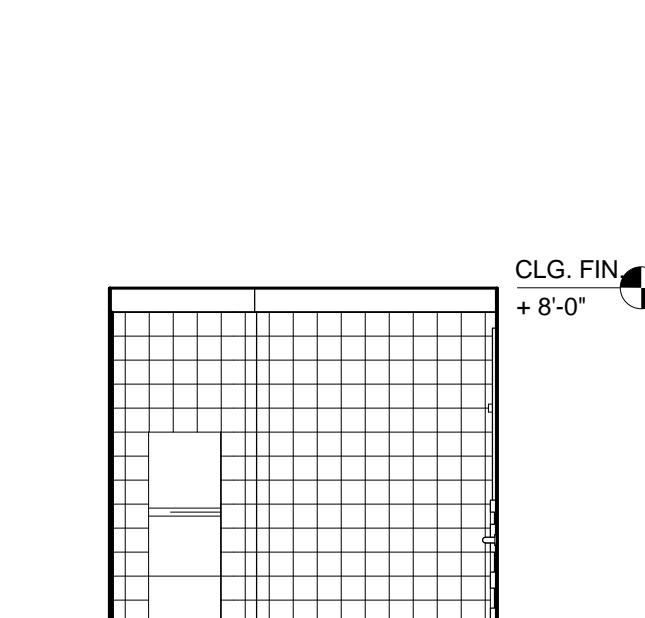
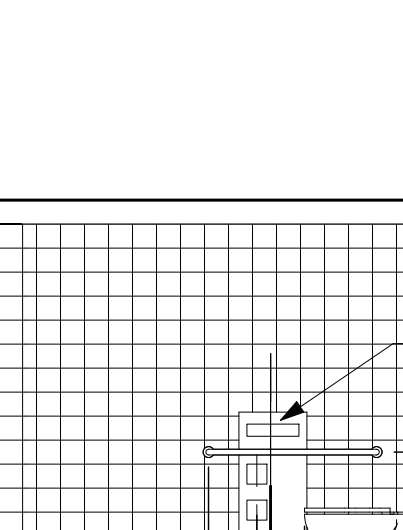
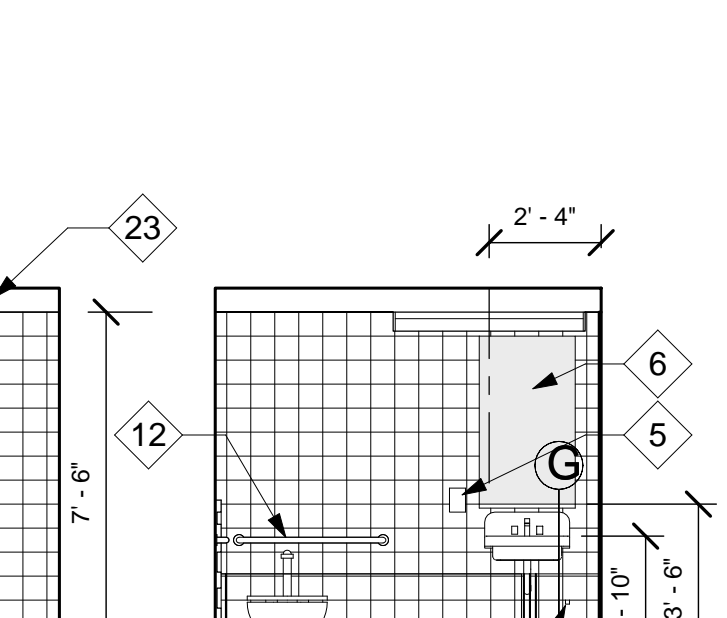
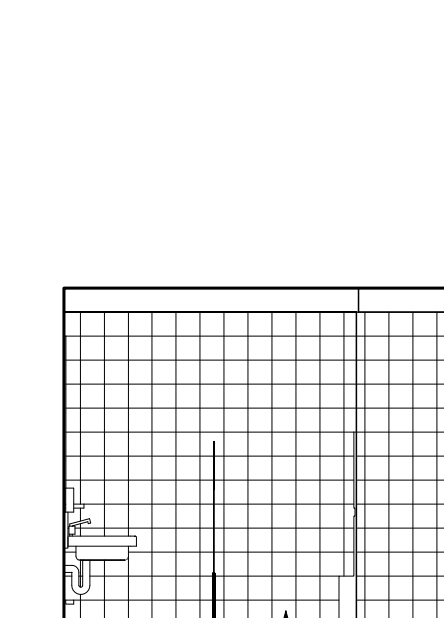


8 4-391 ELEVATOR LOBBY - SOUTH
1/4" = 1'-0"

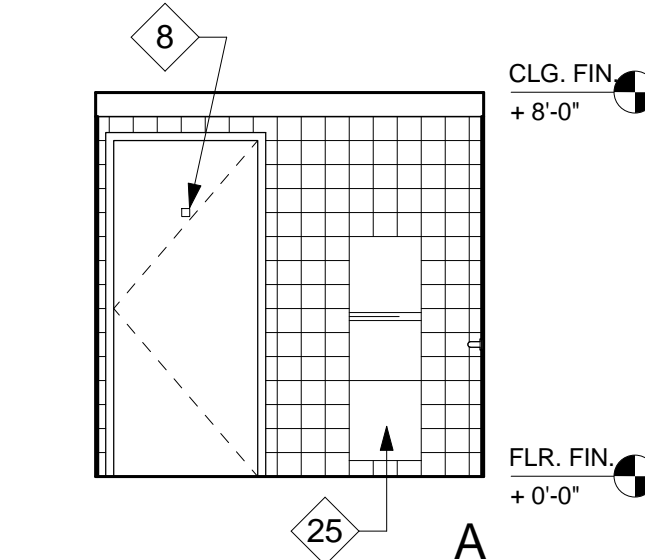
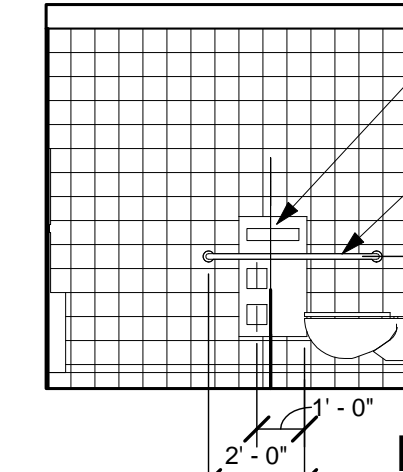
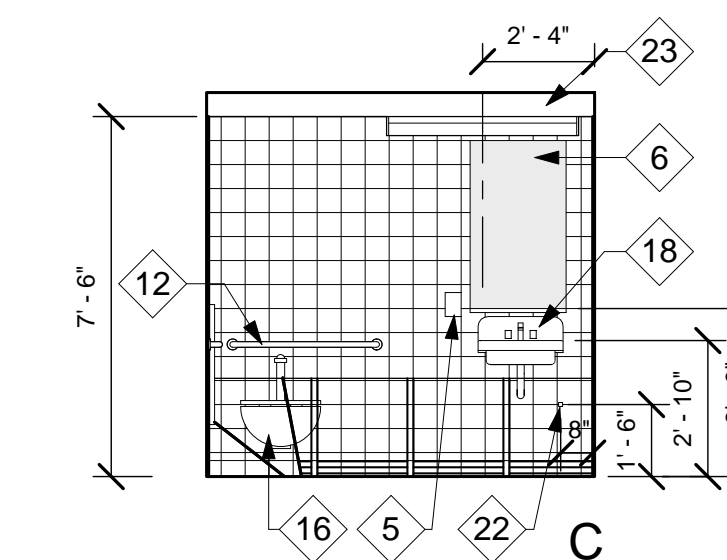
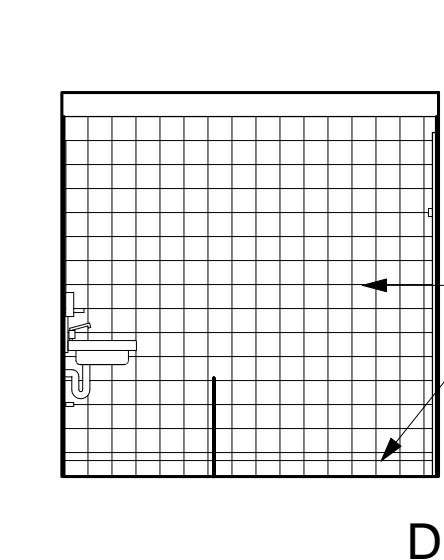
6 4-338 WOMEN RESTROOM ELEVATIONS
1/4" = 1'-0"



5 4-336 MEN RESTROOM ELEVATIONS
1/4" = 1'-0"

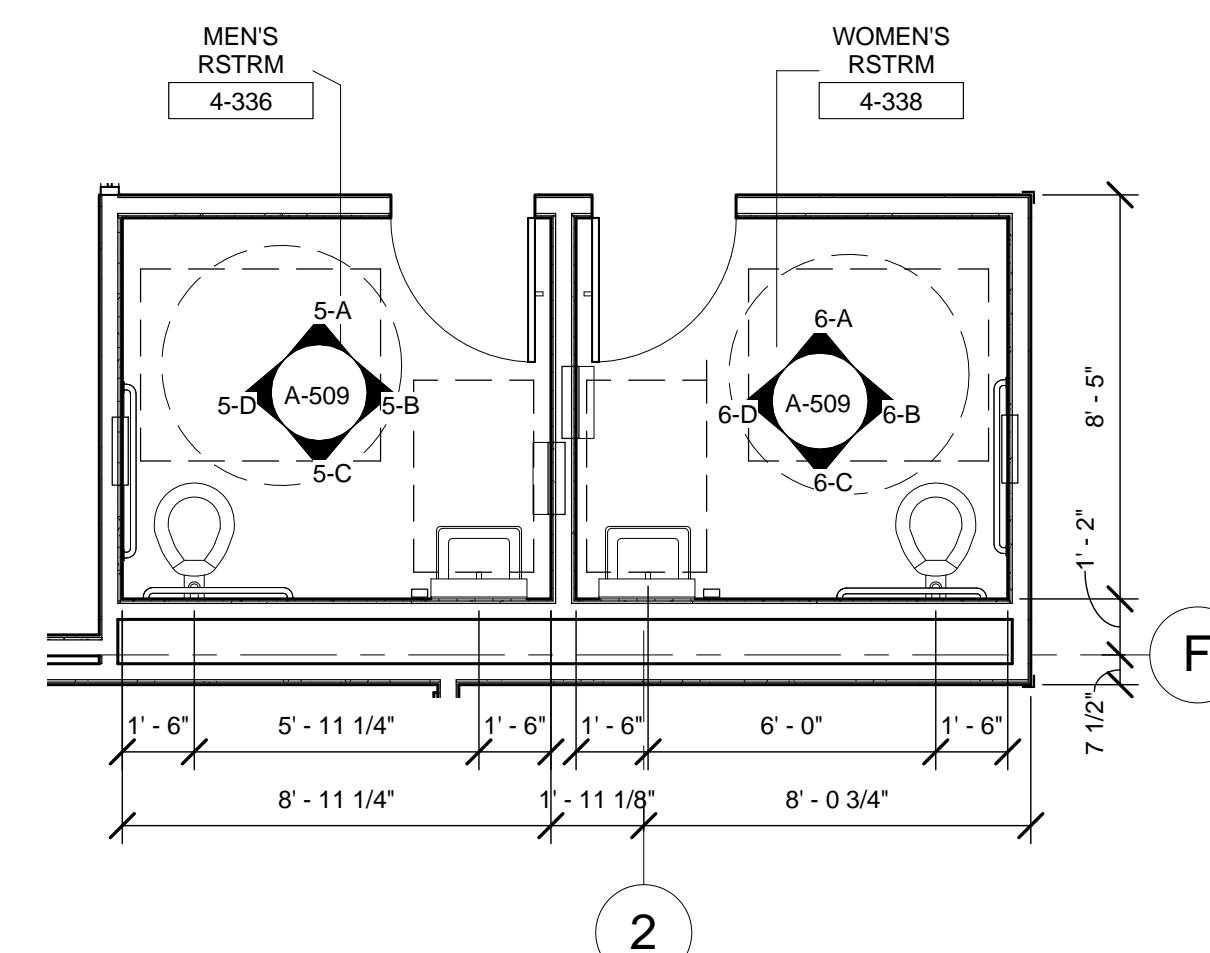


3 4-207 STAFF RESTROOM ELEVATIONS
1/4" = 1'-0"

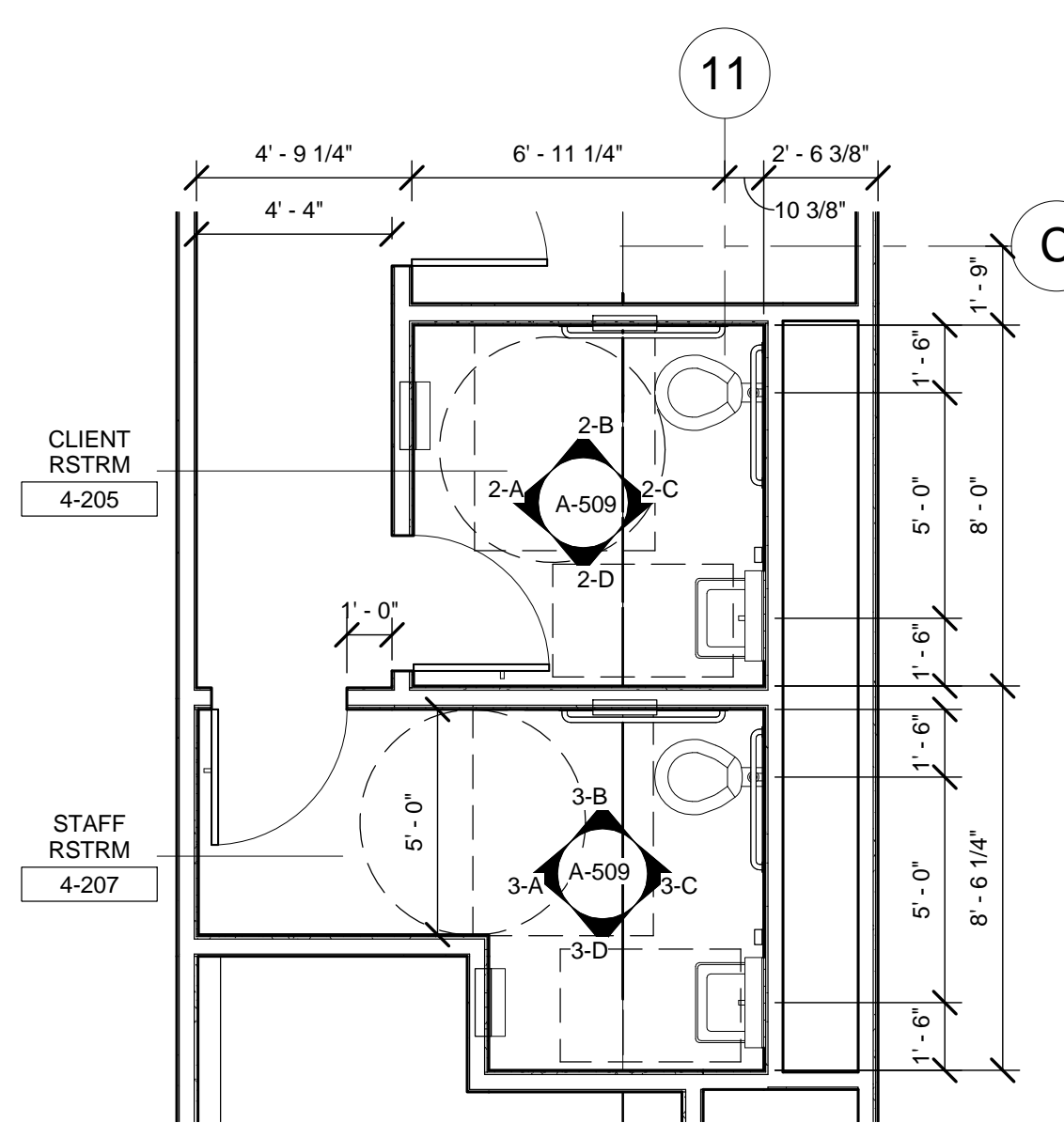


2 4-205 CLIENT RESTROOM ELEVATIONS
1/4" = 1'-0"

4 STAFF RESTROOM - ENLARGED PLAN
1/4" = 1'-0"



1 4-205 & 4-207 ENLARGED PLAN
1/4" = 1'-0"



| NO. | ISSUES/REVISIONS | DATE |
|-----|------------------|------|
| | | |

PROJECT RECORD SET

**BUILDING 4
SKYLINE COLLEGE**
SAN MATEO COUNTY
COMMUNITY COLLEGE
DISTRICT

**CIP2 DESIGN-BUILD
PROJECT
BUILDING 4**

PROJECT NO.: 07012.00 DRAWN BY: LT
DATE: 04/29/09 CHECKED BY: LG
SCALE: 1/4" = 1'-0"

SHEET TITLE:
**INTERIOR
ELEVATIONS**

All drawings and written material appearing herein constitute original and unpublished work of the Architect/Engineer and may not be duplicated, used or disclosed without consent of Architect/Engineer. If this drawing is not 30"x42", then the drawing has been revised from its original size. Noted scales must be adjusted. This line should be equal to one inch.