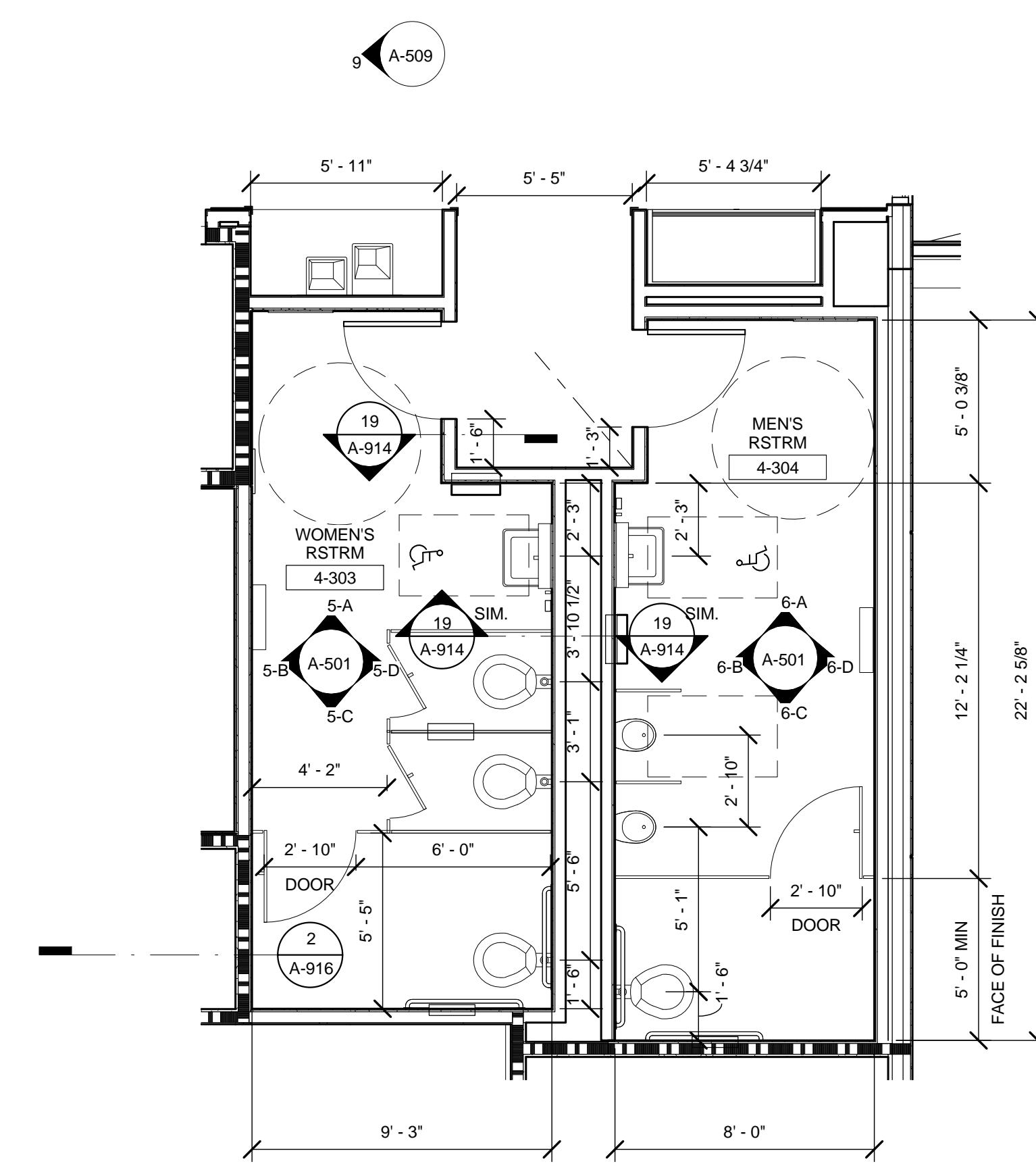


GENERAL NOTES

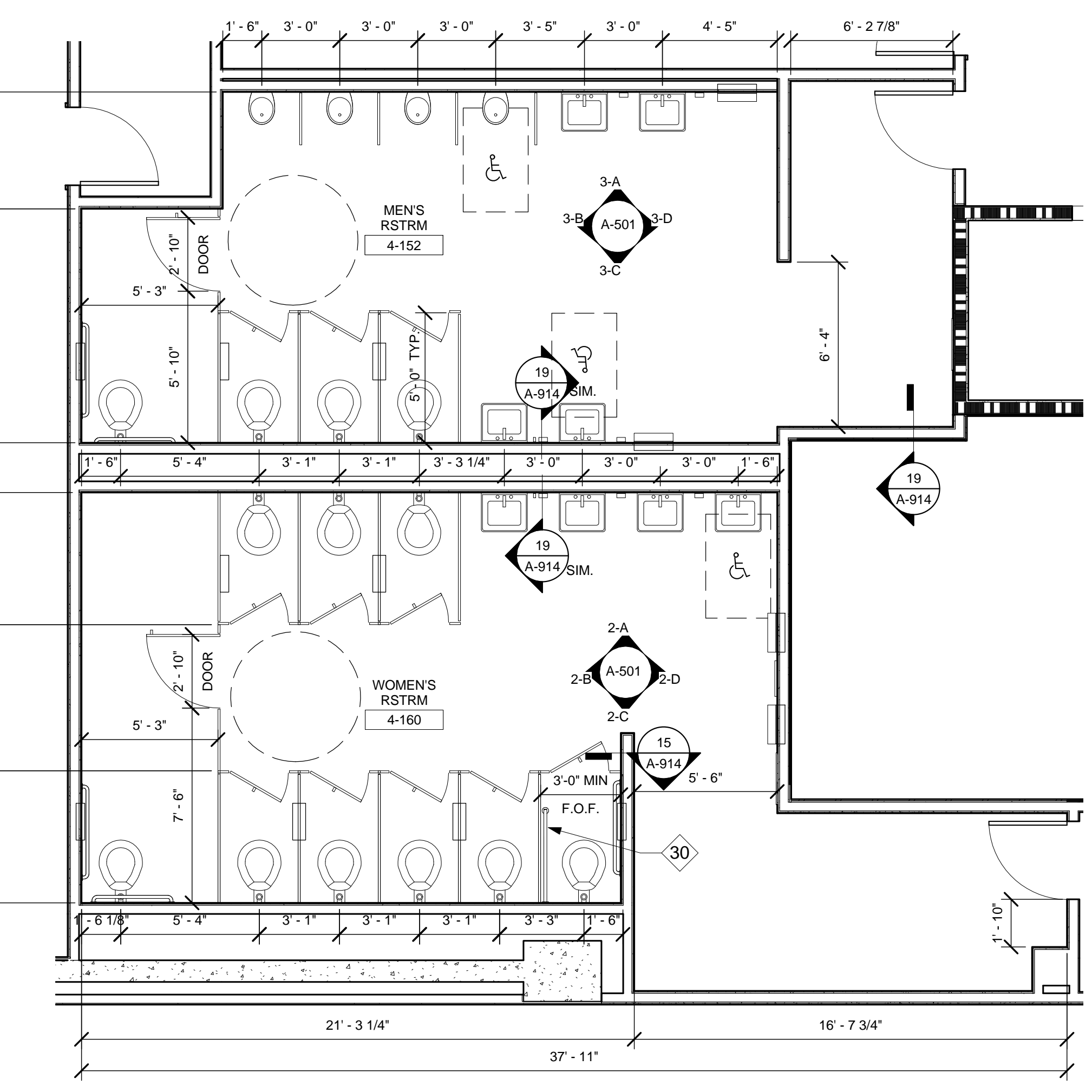
- SEE DETAILS 1 & 10/A-900 FOR ACCESSIBLE MOUNTING HEIGHTS AND CLEARANCE DIMENSIONS OF FIXTURES NOT SHOWN.
- FOR FINISHES, SEE FINISH SCHEDULE ON SHEET AI-101,102&103
- SEE 9/A-502 FOR TYPICAL CERAMIC TILE PATTERN.
- CLOTHES HOOK AND BUMPER ON STALL DOORS AT 60" A.F.F. ON CENTER, AT 38"-40" A.F.F. FOR ADA WATER CLOSET.
- SEE INTERIOR FINISH SCHEDULE SECTION 090020 FOR FINISHES
- SEE 9/A-914 FOR TYP. TILE FLOOR - THINSET DETAIL.

KEY NOTES - RESTROOM

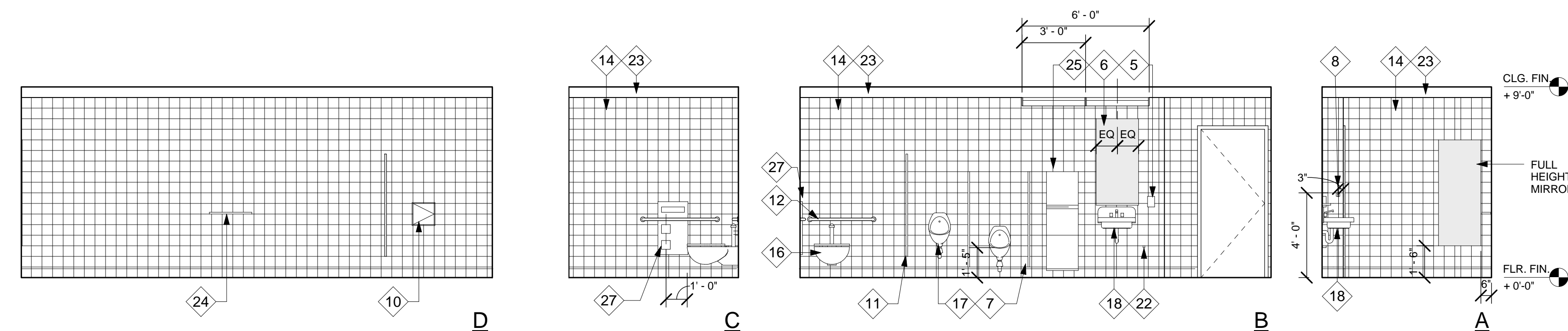
- PARTITION MOUNTED SEAT COVER & TOILET TISSUE DISPENSERS
- RECESSED SEAT COVER & TOILET TISSUE DISPENSERS
- SURFACE MOUNTED SEAT COVER & TOILET TISSUE DISPENSERS
- NOT USE
- WALL MOUNTED SOAP DISPENSER
- STAINLESS STEEL CHANNEL FRAME GLASS MIRROR/SHELF COMBINATION
- WALL HUNG URINAL SCREEN
- WALL/DOOR MOUNTED CONVENIENCE COAT HOOK
- SANITARY NAPKIN/TAMPON VENDOR
- ACCESS PANEL FOR WATER HAMMER ARRESTOR & AP PRIMER, S.P.D. FOR LOCATION
- OVERHEAD-BRACED TOILET PARTITION
- 36" MIN. 1-1/2" DIAMETER GRAB BAR, SEE 5/A-900 FOR ANCHORAGE DETAIL
- 42" MIN. 1-1/2" DIAMETER GRAB BAR, SEE 5/A-900 FOR ANCHORAGE DETAIL
- CERAMIC TILE, SEE DETAIL 9/A-502
- CERAMIC TILE COVED BASE
- WALL MOUNTED TOILET, S.P.D.
- WALL MOUNTED URINAL, S.P.D.
- WALL-HUNG LAVATORY, SEE DETAIL 2/A-913 INSULATE DRAIN AND HOT WATER PIPE, S.P.D.
- DRINKING FOUNTAIN, SEE 11/A-900
- HOSE BIB
- SEMIGLOSS PAINTED, GYPSUM TYP., SEE FINISH SCHEDULE
- CONVENIENCE SHELF
- SEMI-RECESS PAPER TOWEL DISPENSER AND WASTE CONTAINER
- SAME AS 1
- SAME AS 2
- SAME AS 3
- CORNER GUARD
- WALL TO FLOOR GRAB BAR, SEE DETAIL 13/A-900



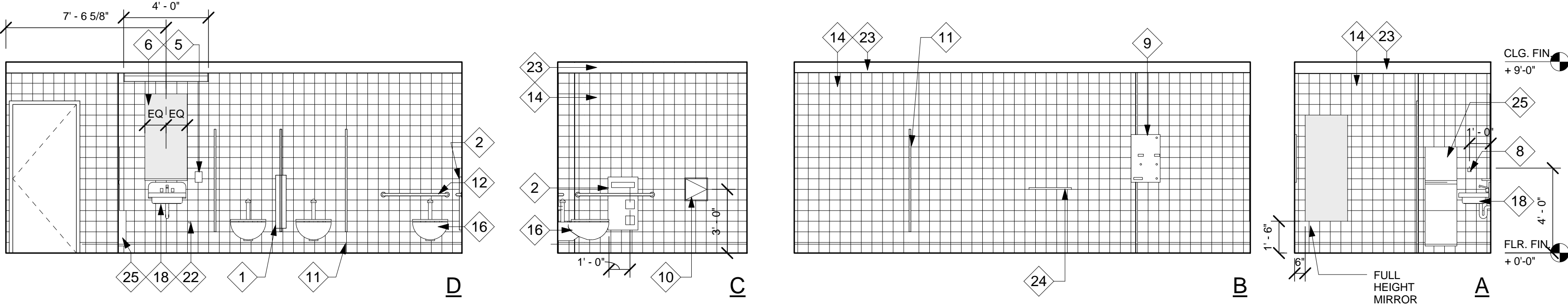
4-303/304 - RESTROOM PLAN
1/4" = 1'-0"



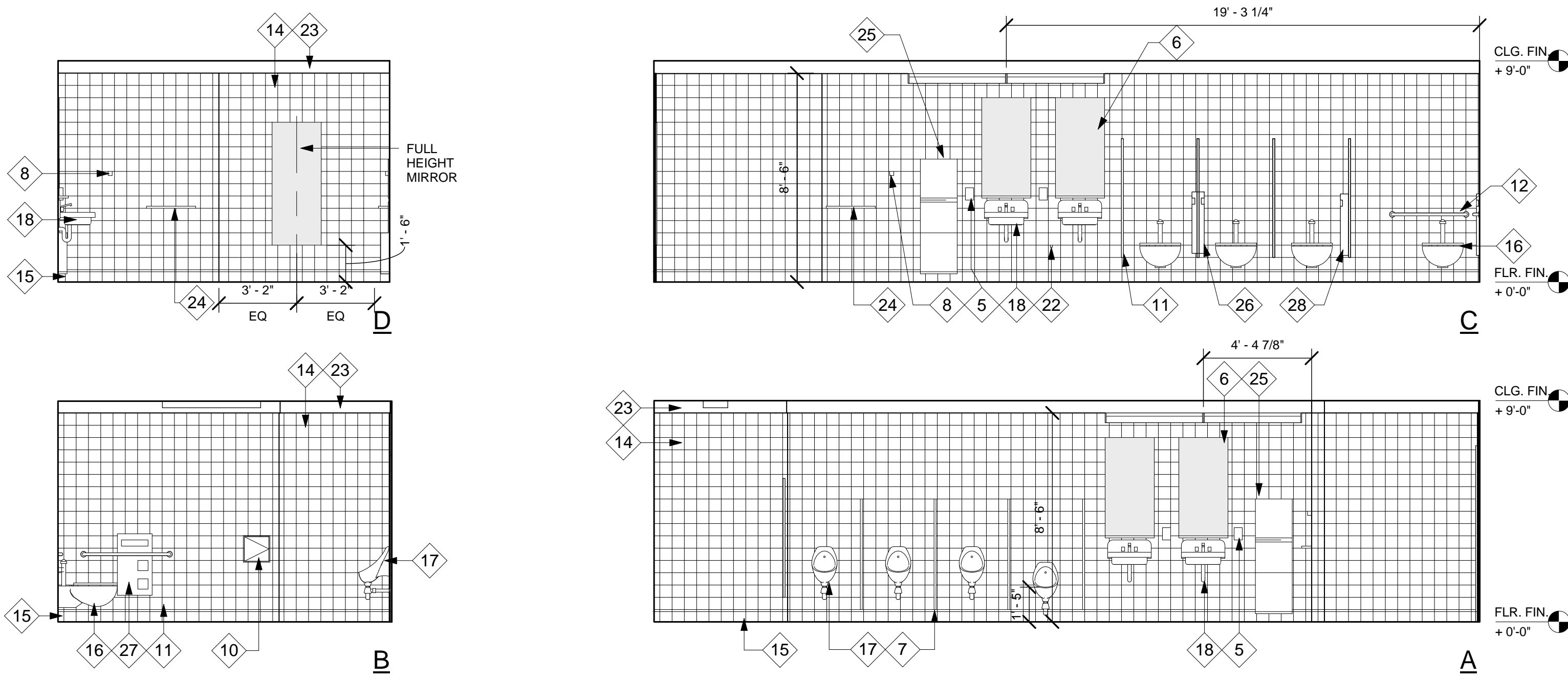
4-152/160 RESTROOM PLAN
1/4" = 1'-0"



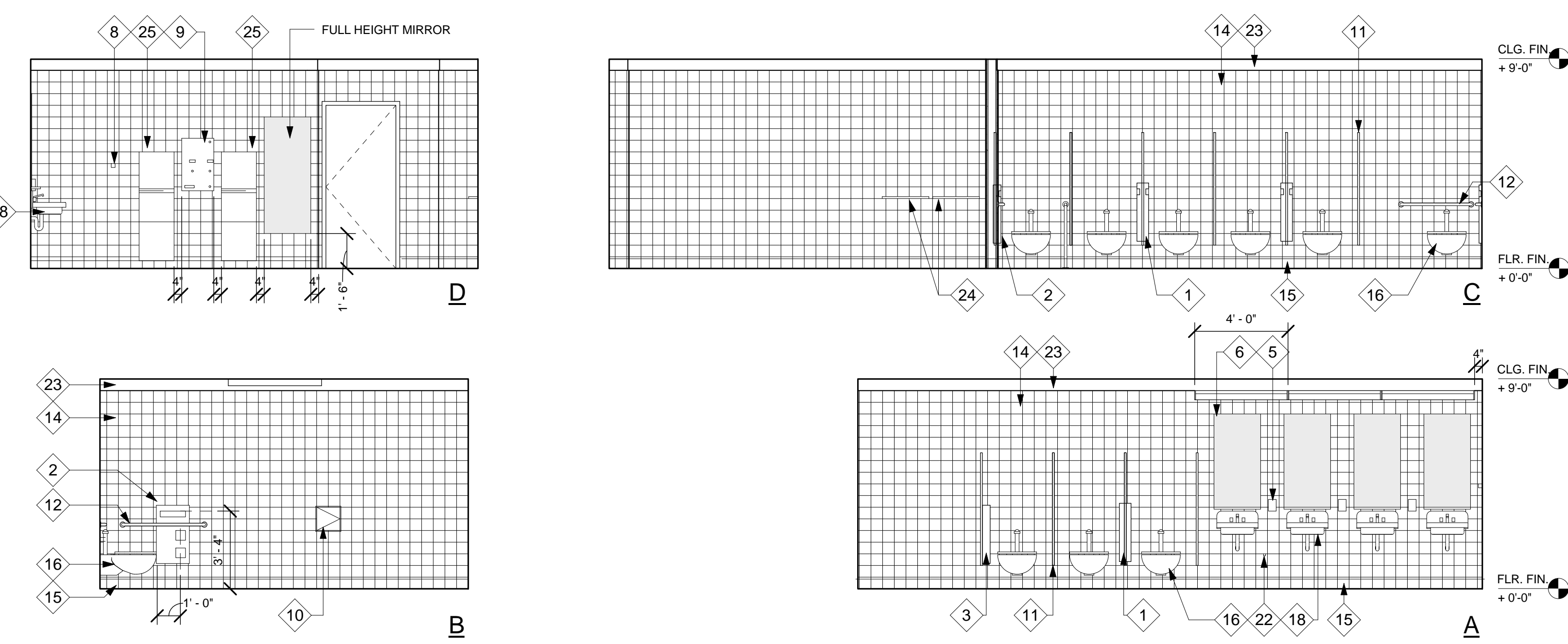
4-304 MEN'S RESTROOM ELEVATIONS
1/4" = 1'-0"



4-303 WOMEN'S RESTROOM ELEVATIONS
1/4" = 1'-0"



4-152 MEN'S RESTROOM ELEVATIONS
1/4" = 1'-0"



4-160 WOMEN'S RESTROOM ELEVATIONS
1/4" = 1'-0"