

SWIMMING POOL PIPING & FITTING LEGEND

- DECK & STORM DRAIN LINES
- MD MAIN DRAIN LINES
- GD SCUM GUTTER DRAIN LINES
- R RECIRCULATING LINES
- V VACUUM CLEANING LINES
- POOL INLET FITTINGS
- GUTTER DRAIN FITTINGS
- VACUUM FITTINGS
- FLOOR TYPE CLEANOUTS
- ⊕ MAIN DRAINS
- ⊙ DECK DRAINS

FOR PLUMBING LEGEND SEE SHEET P-1

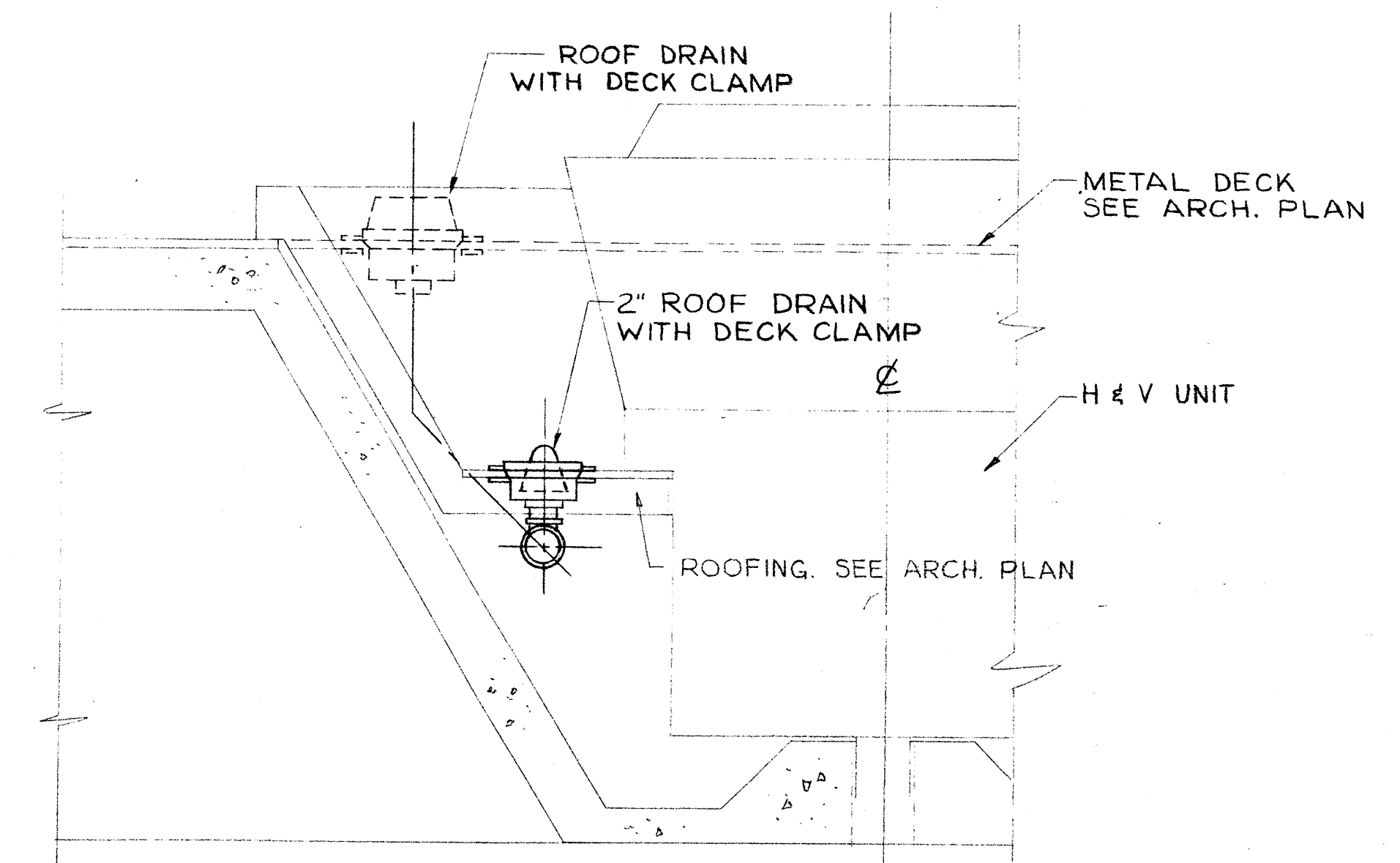
JOHN CARL WARNECKE & ASSOCIATES
ARCHITECTS AND PLANNING CONSULTANTS
61 NEW MONTGOMERY STREET SAN FRANCISCO

BUILDING D PHYSICAL EDUCATION
PLUMBING POOL & ROOF PLANS
COLLEGE OF SAN MATEO
SAN BRUNO CALIFORNIA

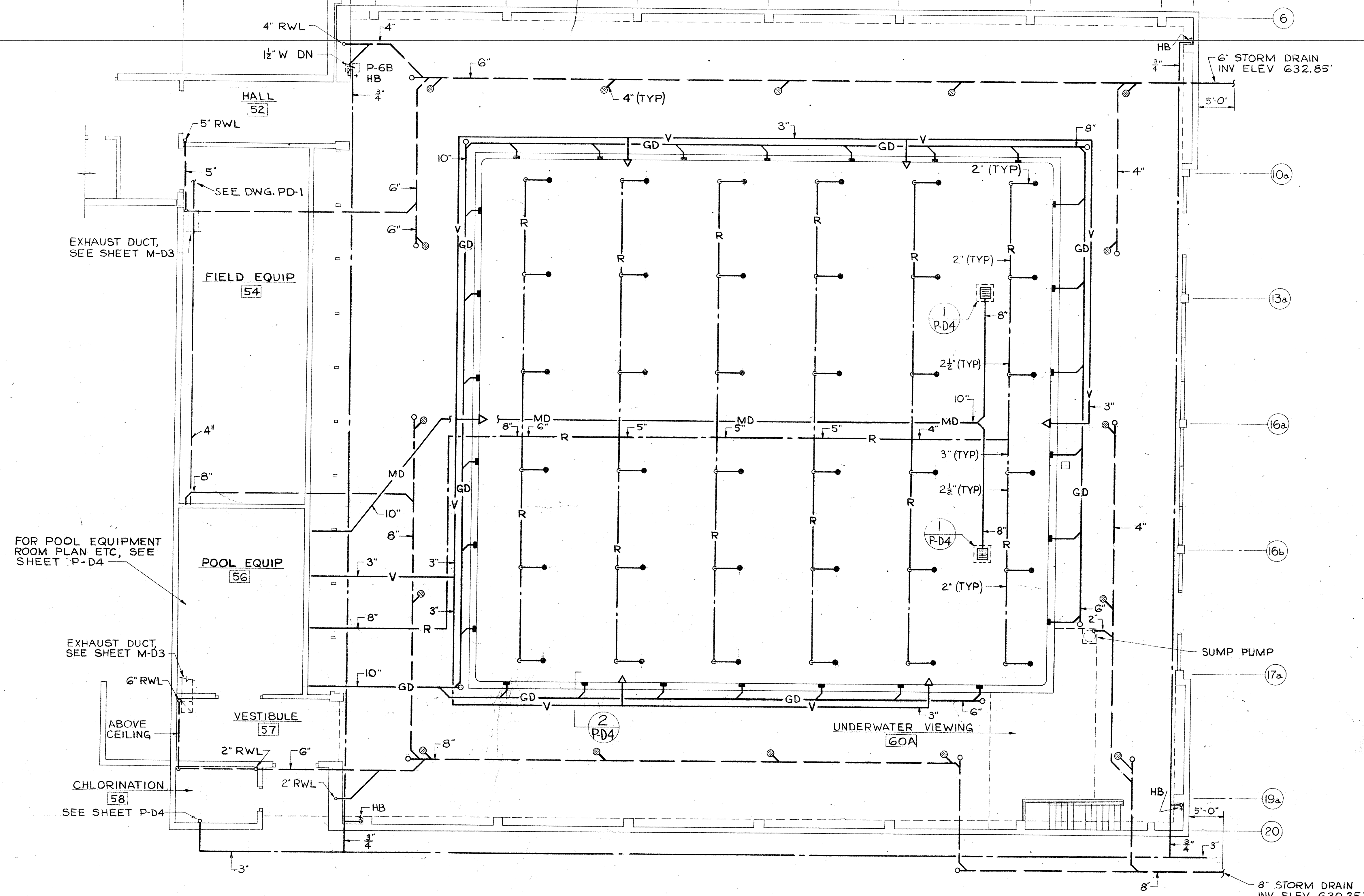
APPROVED
DATE FEB 13, 1967

SCALE	AS SHOWN	DATE	REVISION	DESCRIPTION	NO.	DATE	APPROVED
JOB NO.	64-13						
D.B.	C.D.						
CHECK BY	G.E.K.						
SHEET NUMBER							
OF 4 SHEETS							
REVISION NO.							

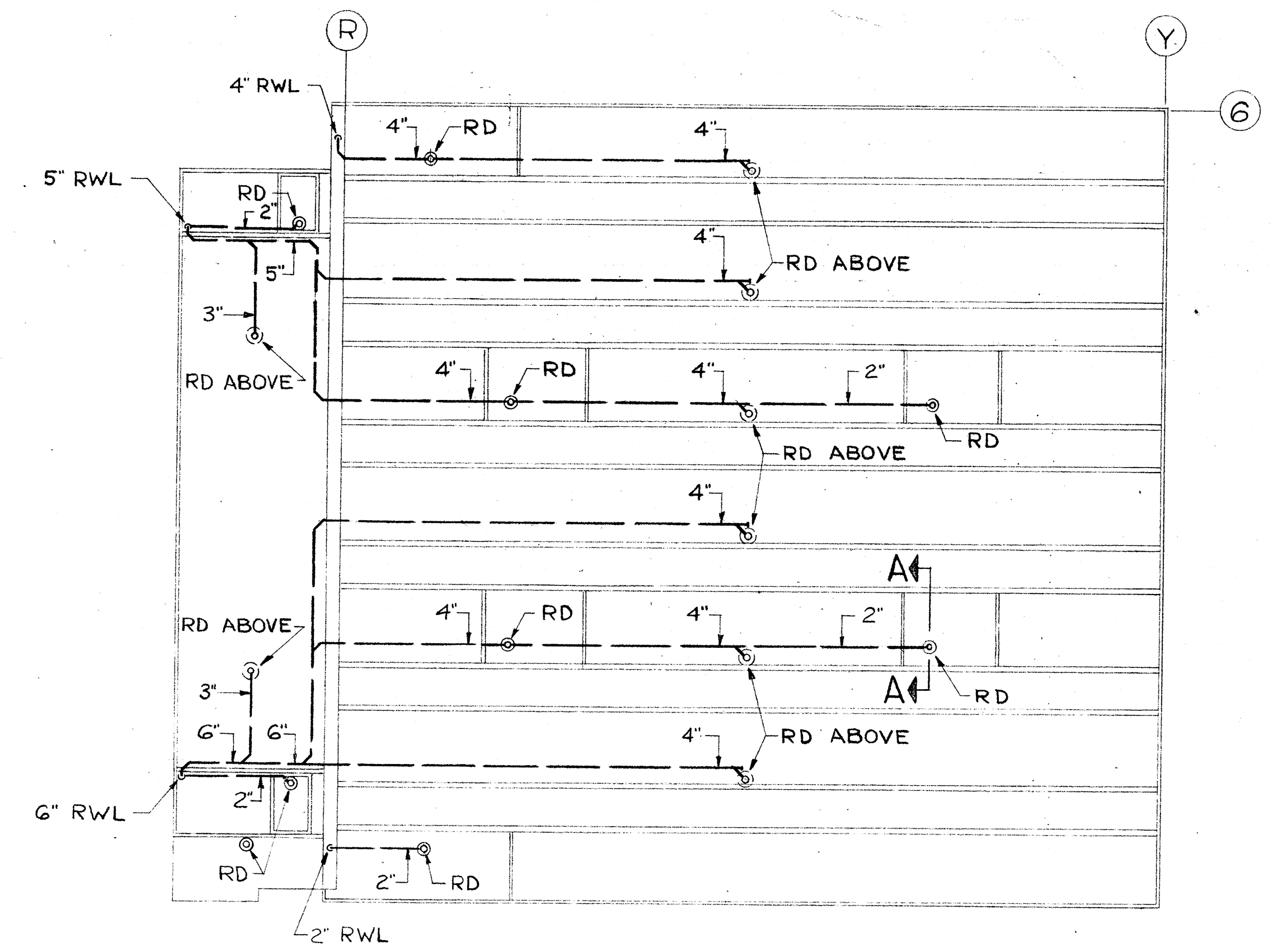
M P R R



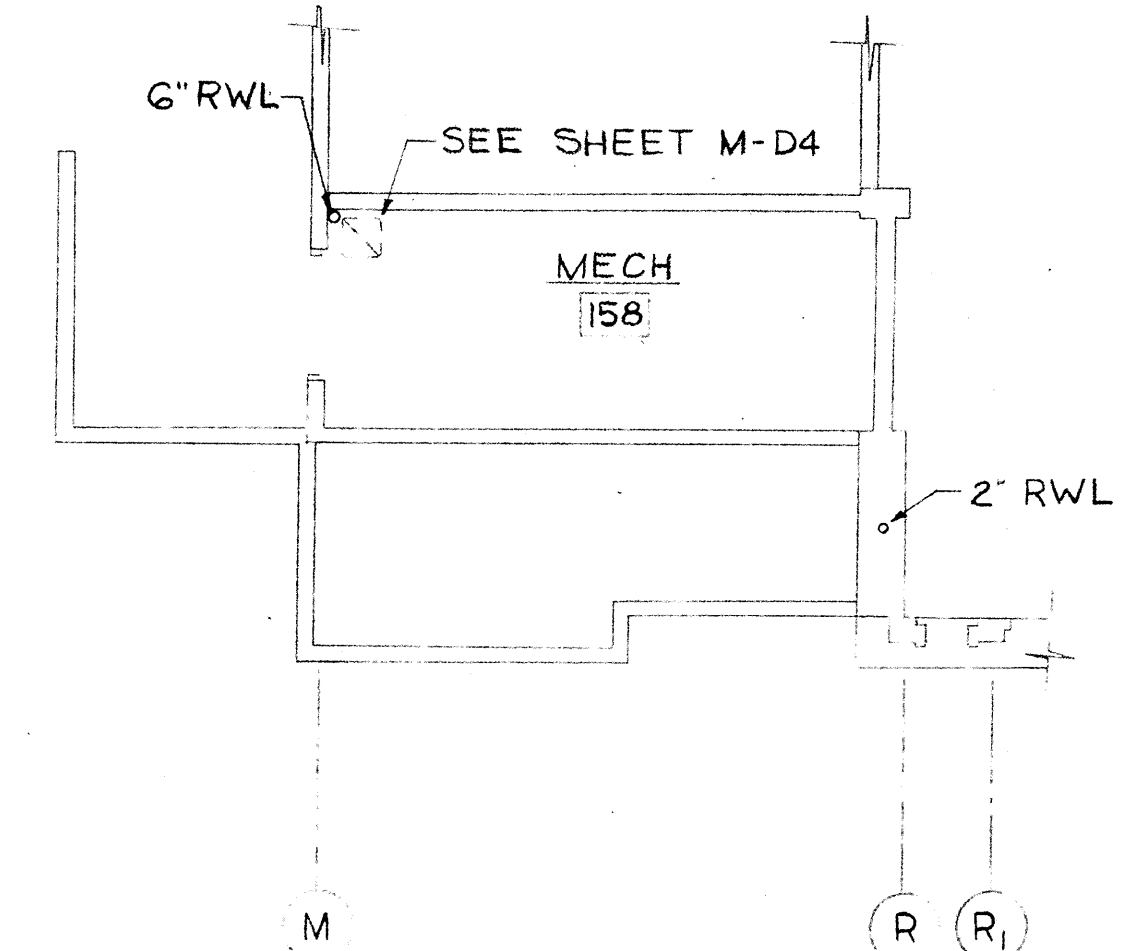
SECTION A-A
(TYPICAL FOR H & V WELLS)
SCALE: 3/4" = 1'-0"



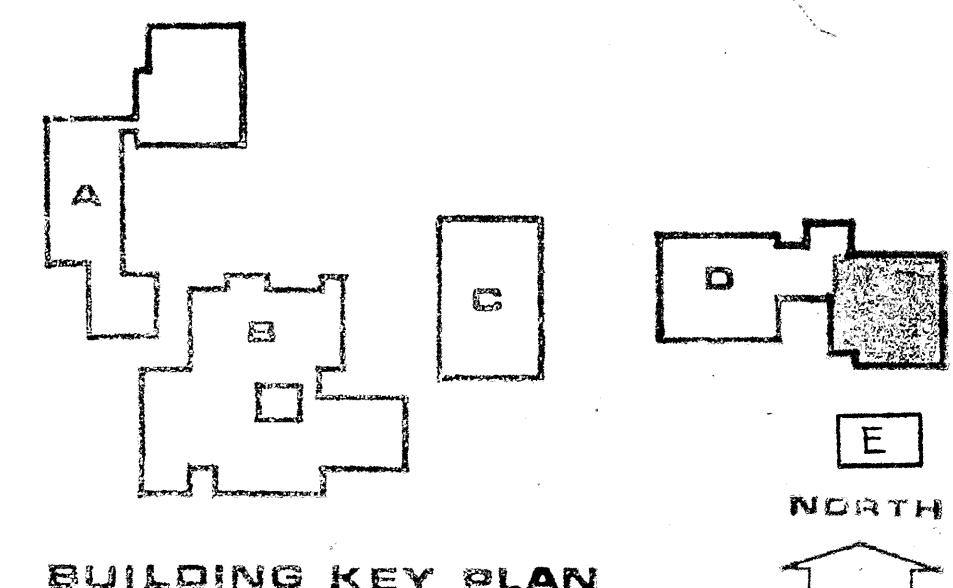
1ST LEVEL PLAN & SWIMMING POOL PIPING PLAN
SCALE: 1/8" = 1'-0"



2ND LEVEL PLAN
SCALE: 1/2" = 1'-0"



PART 2ND LEVEL FLOOR PLAN
SCALE: 1/8" = 1'-0"



BUILDING KEY PLAN