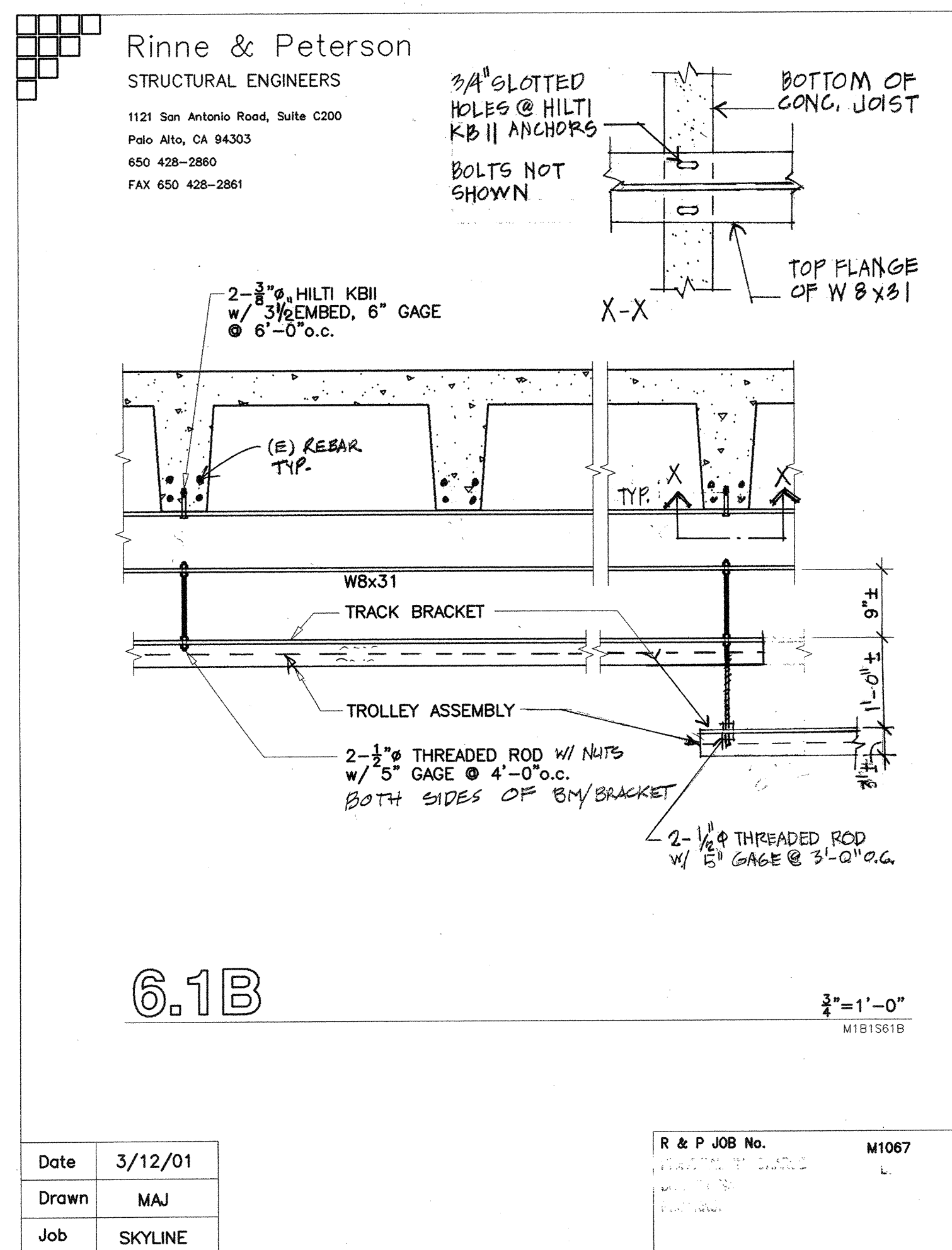


KRUGER BENSEN ZIEMER ARCHITECTS, INC.
 30 W. ARRELLAGA SANTA BARBARA, CA 93101
 805/963-1726

STEVE DOWTY, A.I.A.
 PRINCIPAL IN CHARGE

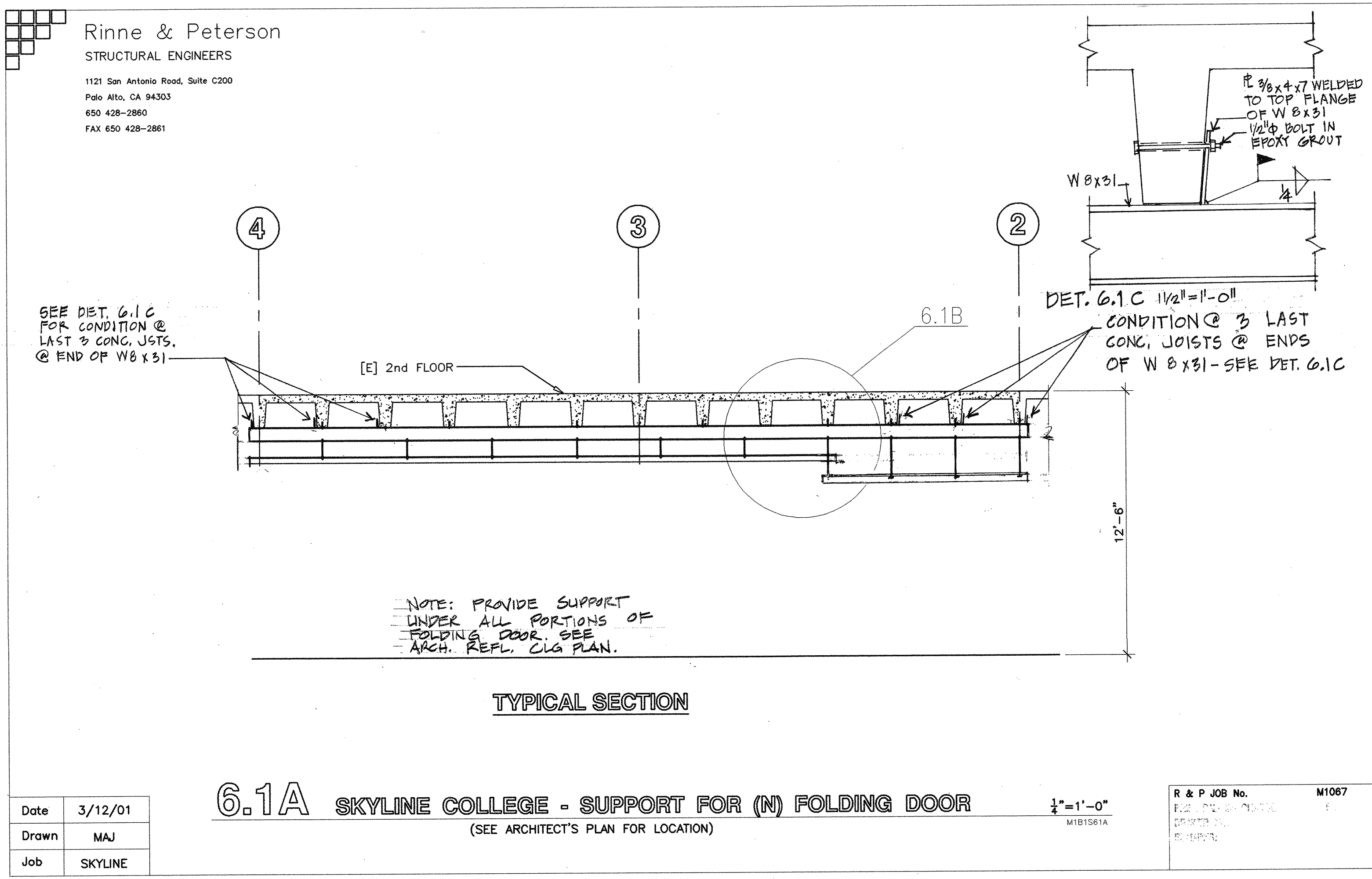
GERALD SHUSTA
 PROJECT ARCHITECT

All ideas, design arrangements and plans indicated or represented by the drawing are intended to be used for the purpose of design, construction, and construction. No liability shall be assumed for any errors, omissions, or inaccuracies. The contractor shall be responsible for any changes or modifications to the drawing without the written permission of Kruger-Bensen-Ziemer.



Date	3/12/01
Drawn	MAJ
Job	SKYLINE

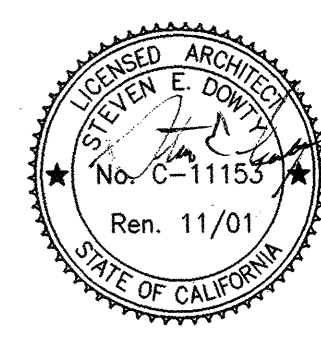
R & P JOB No.	M1067
---------------	-------



Date	3/12/01
Drawn	MAJ
Job	SKYLINE

6.1A SKYLINE COLLEGE - SUPPORT FOR (N) FOLDING DOOR
 (SEE ARCHITECT'S PLAN FOR LOCATION)

R & P JOB No.	M1067
---------------	-------



IDENTIFICATION STAMP
 DIV. OF THE STATE ARCHITECT
 OFFICE OF REGULATION SERVICES
 APPL 01-163735
 DATE 06/27/01

**CENTER FOR ADVANCED LEARNING TECHNOLOGY
 SKYLINE COLLEGE**
 SAN MATEO COUNTY COMMUNITY COLLEGE DISTRICT
 SAN BRUNO, CALIFORNIA 94066
 3300 COLLEGE DRIVE

NO.	DESCRIPTION	DATE	BY

DRAWN	
CHECKED	
DATE	3/21/01
JOB NO.	98-03
SHEET TITLE	OPERABLE WALL TRACK DETAILS
SHEET	S1.0