

KRUGER BENSON ZIEMER ARCHITECTS, INC. AIA
 30 W. ARRELLAGA SANTA BARBARA, CA 93101
 805/963.1726

STEVE DOWTY, A.I.A.
 PRINCIPAL IN CHARGE

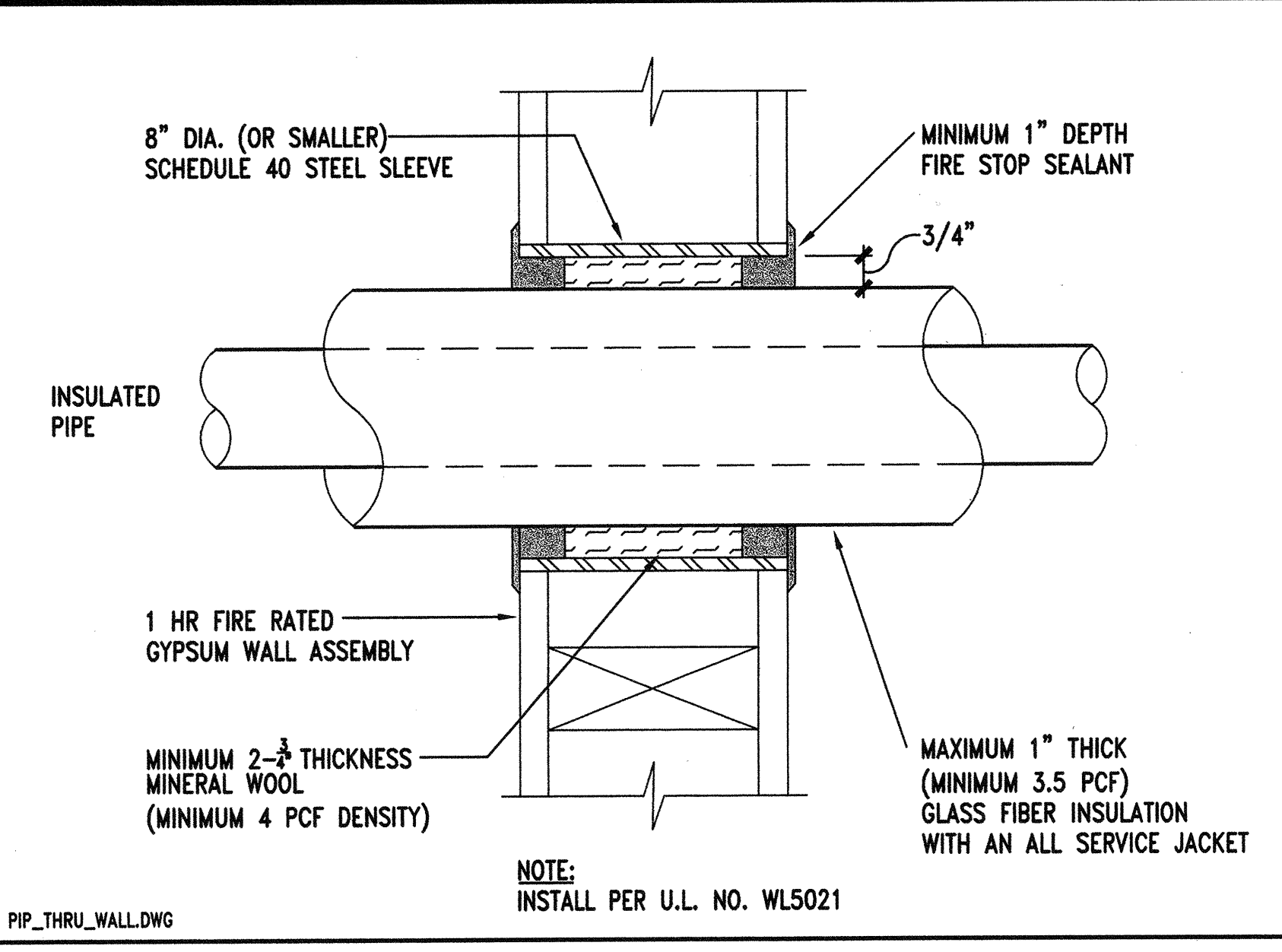
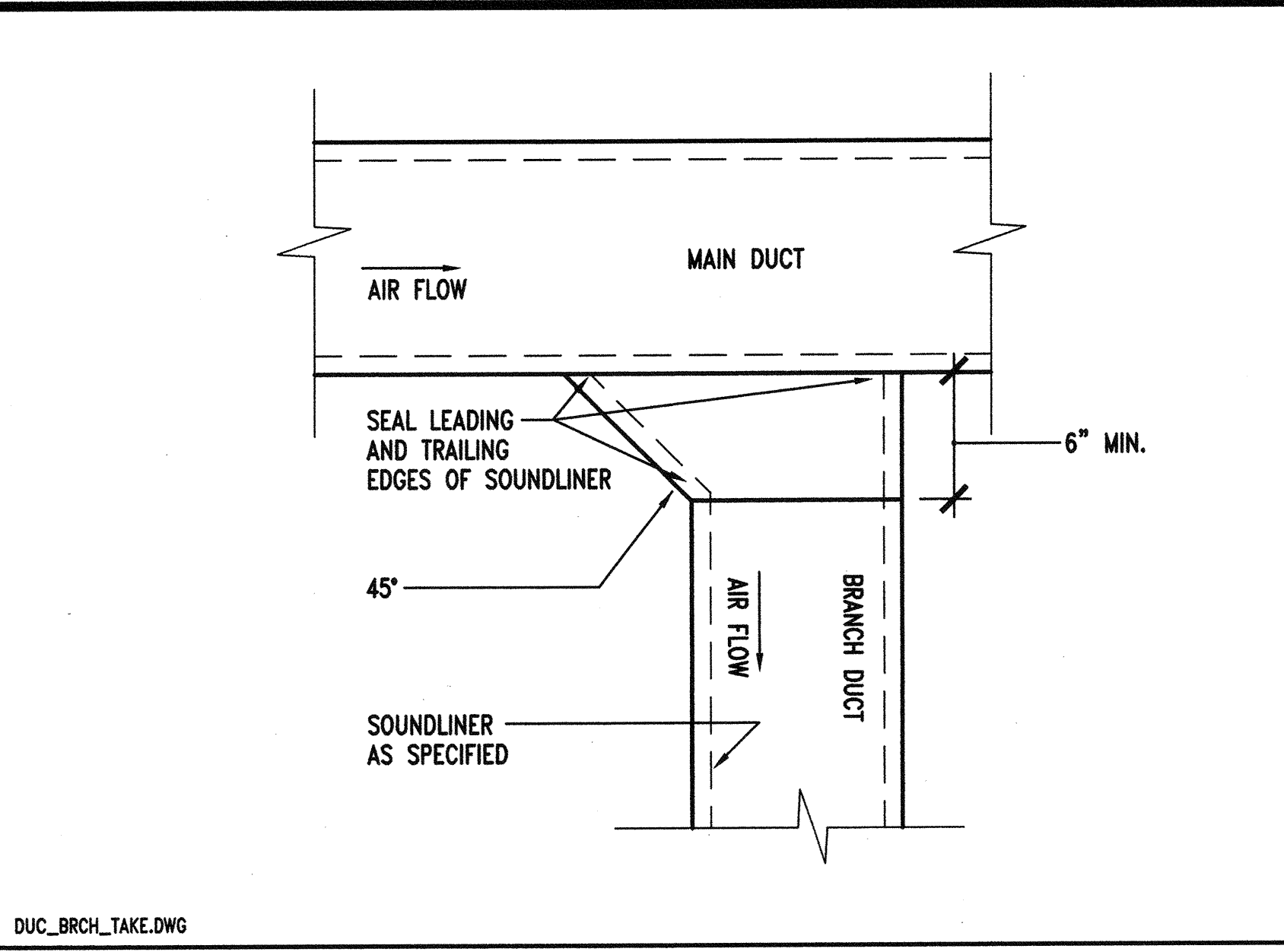
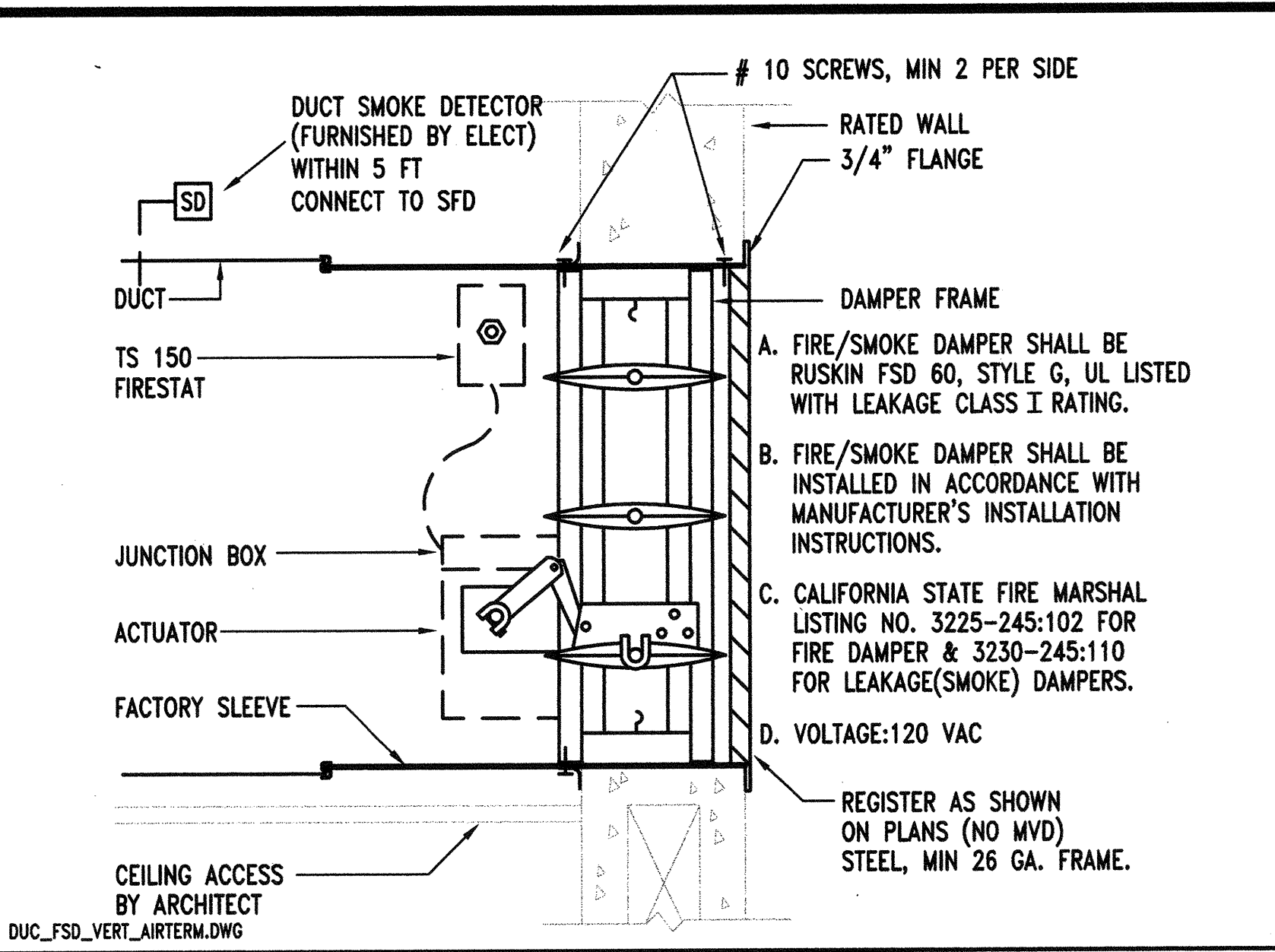
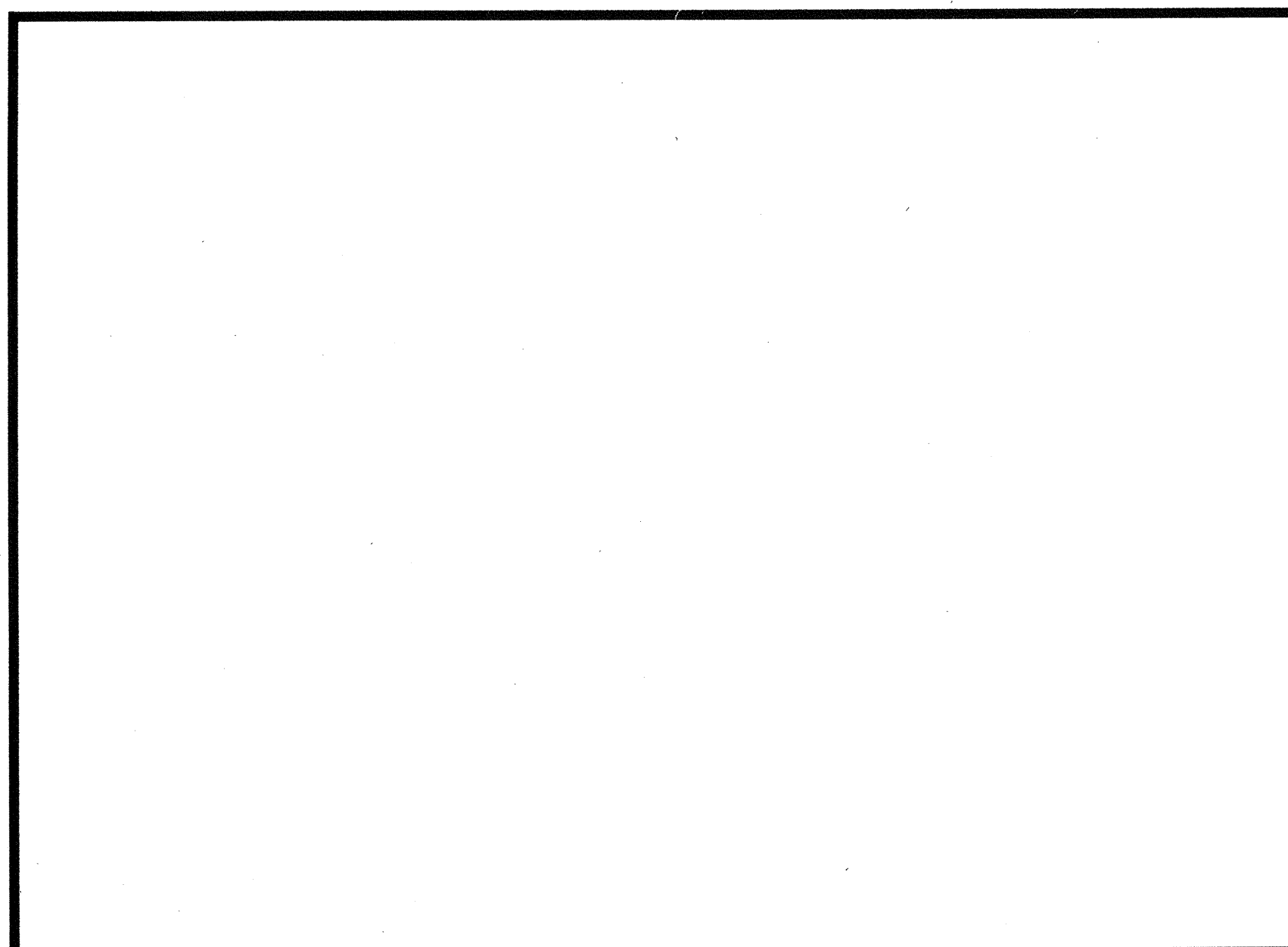
GERALD SHUSTA
 PROJECT ARCHITECT

All design, design development and permit illustrations or representations by this drawing are the property of Kruger-Benson-Ziemer, Inc. architects, and shall remain the property of Kruger-Benson-Ziemer, Inc. No part of this drawing shall be reproduced, stored, or disseminated in any form or by any means, without the prior written permission of Kruger-Benson-Ziemer, Inc.



MECHANICAL ENGINEERING CONSULTANTS
 621 W. Micheltorena St. Suite A Santa Barbara, CA 93101 Tel (805) 957-4638

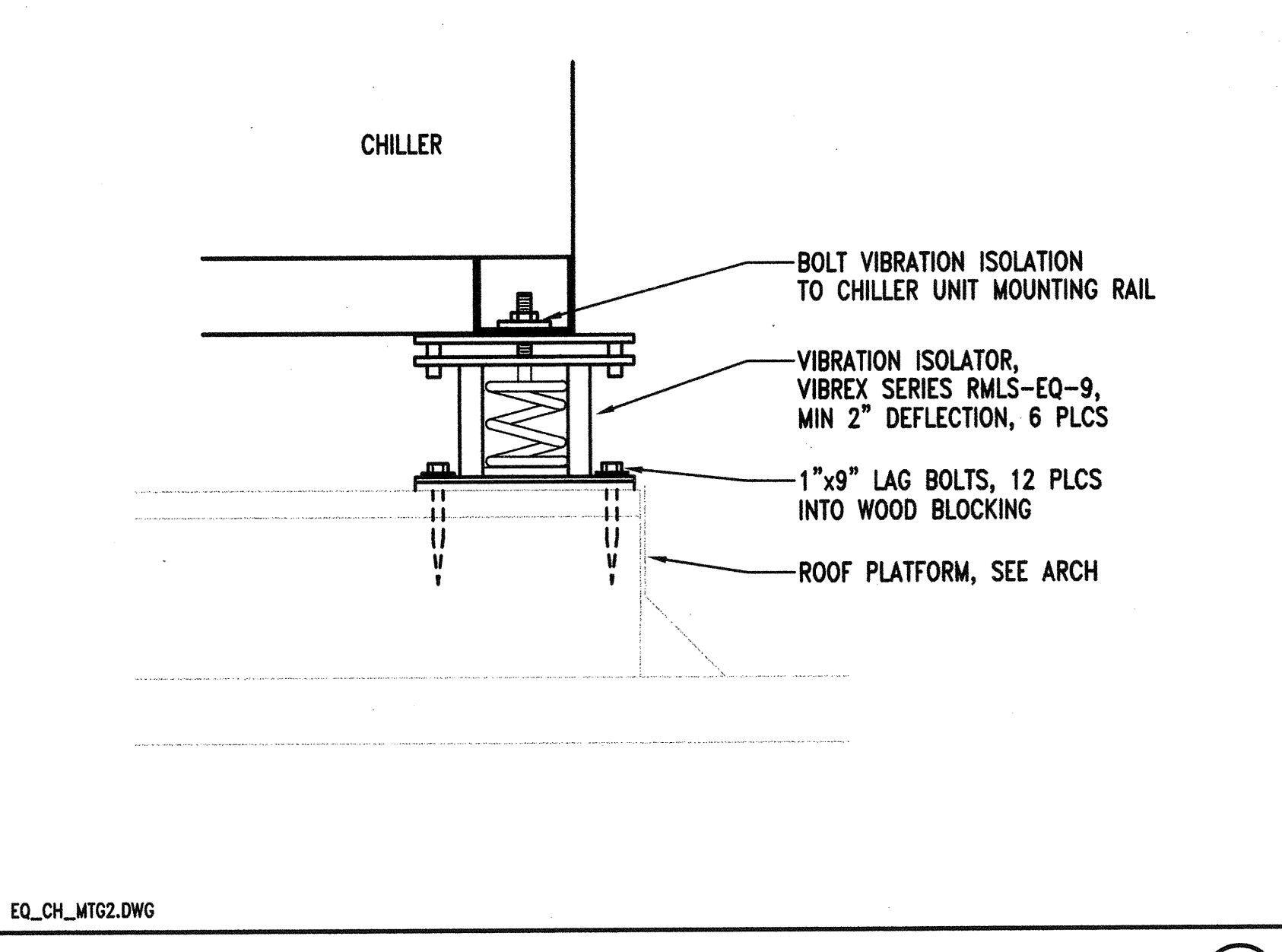
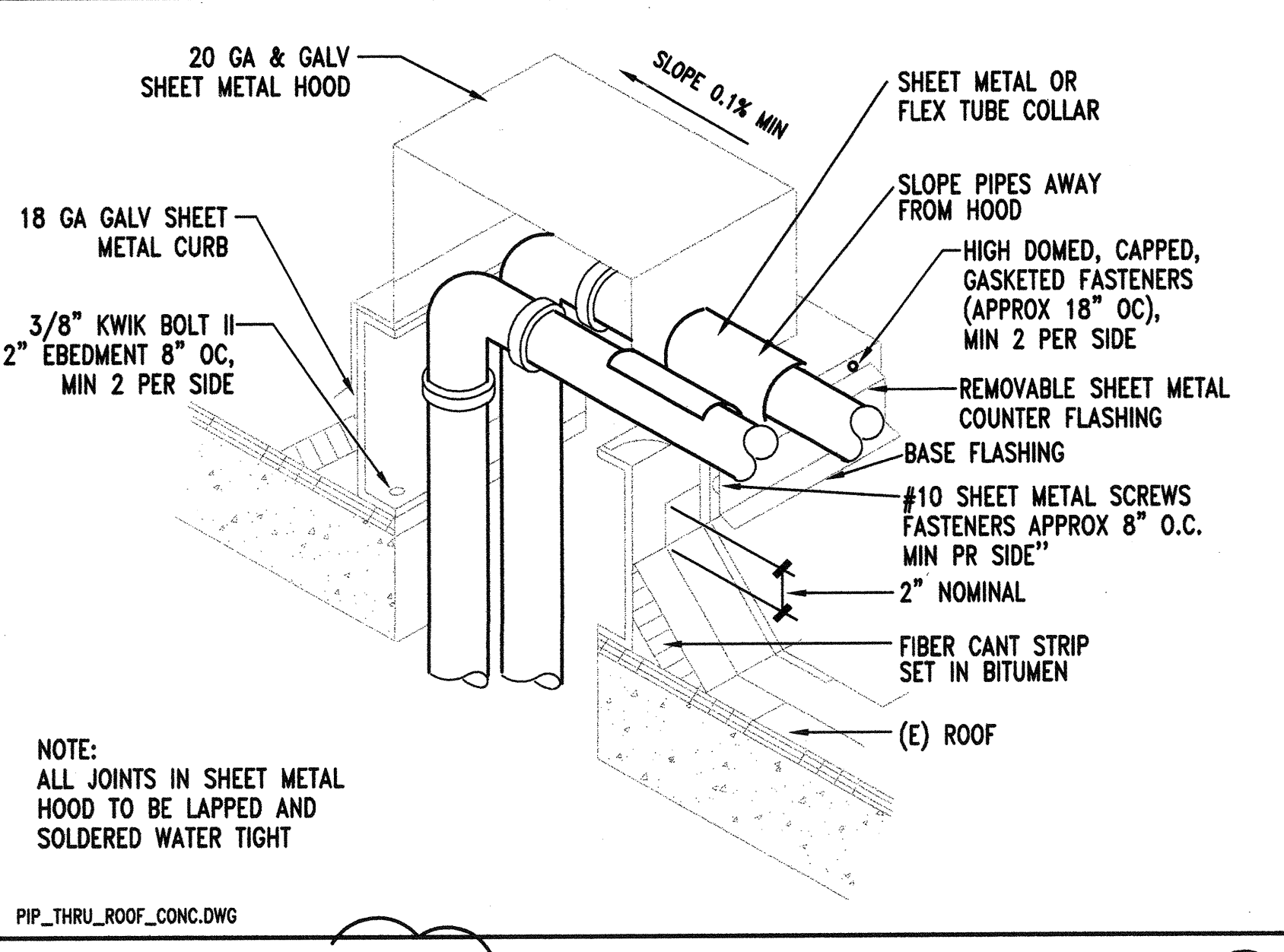
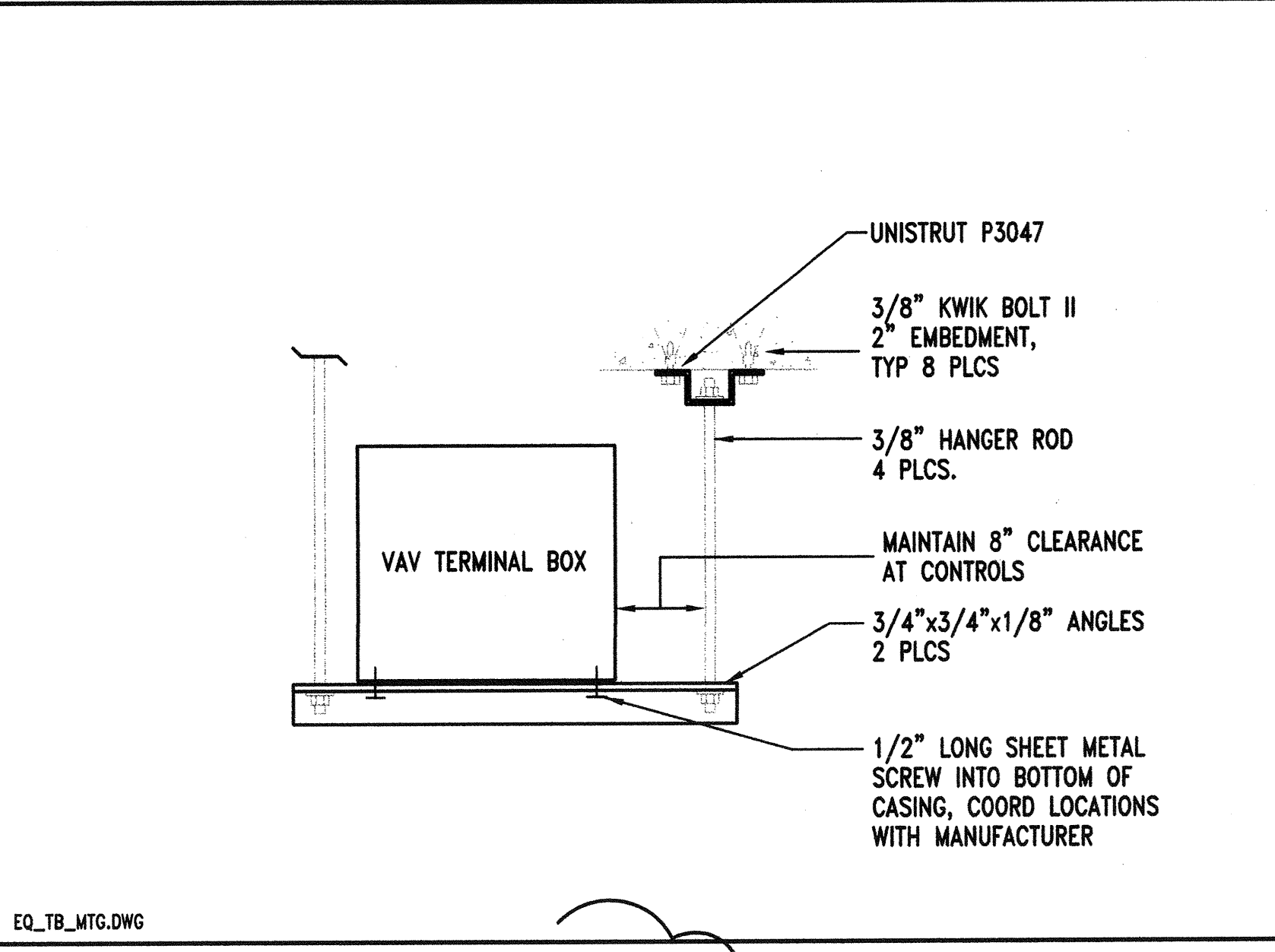
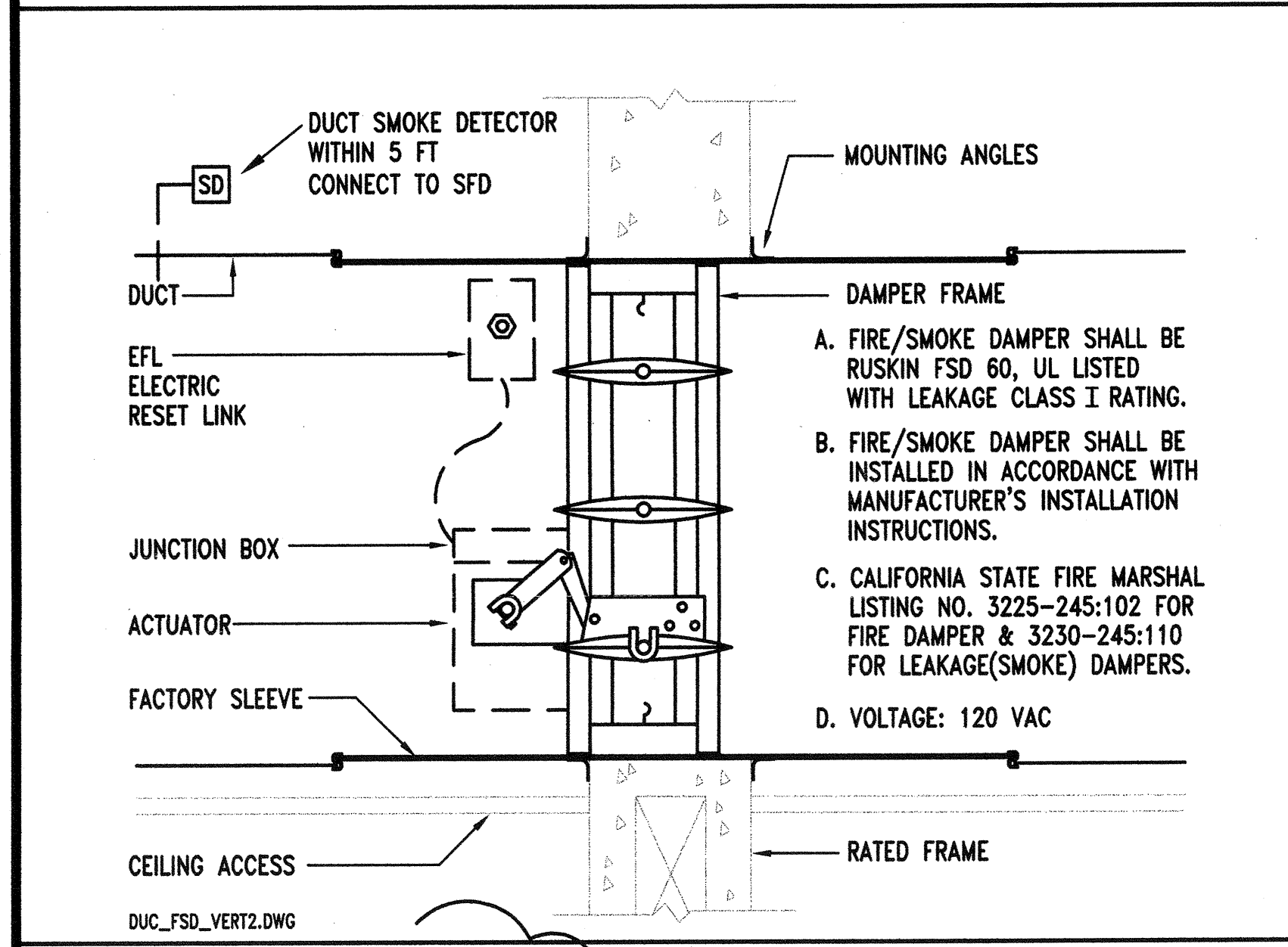
CENTER FOR ADVANCED LEARNING TECHNOLOGY
 SKYLINE COLLEGE
 SAN MATEO COUNTY COMMUNITY COLLEGE DISTRICT
 SAN BRUNO, CALIFORNIA 94066
 3300 COLLEGE DRIVE



FIRE/SMOKE DAMPER WITH GRILLE NTS 11

BRANCH TAKEOFF NTS 7

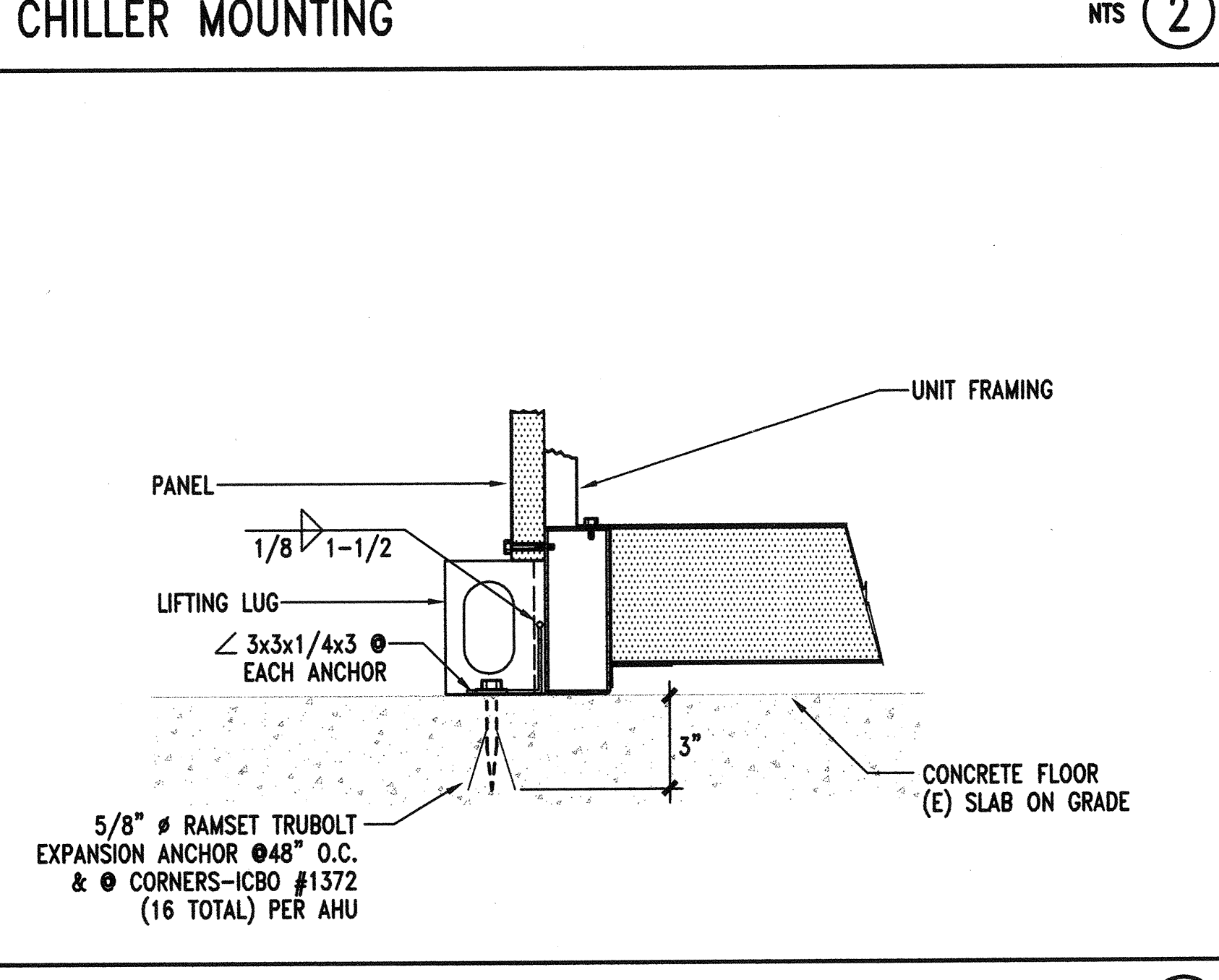
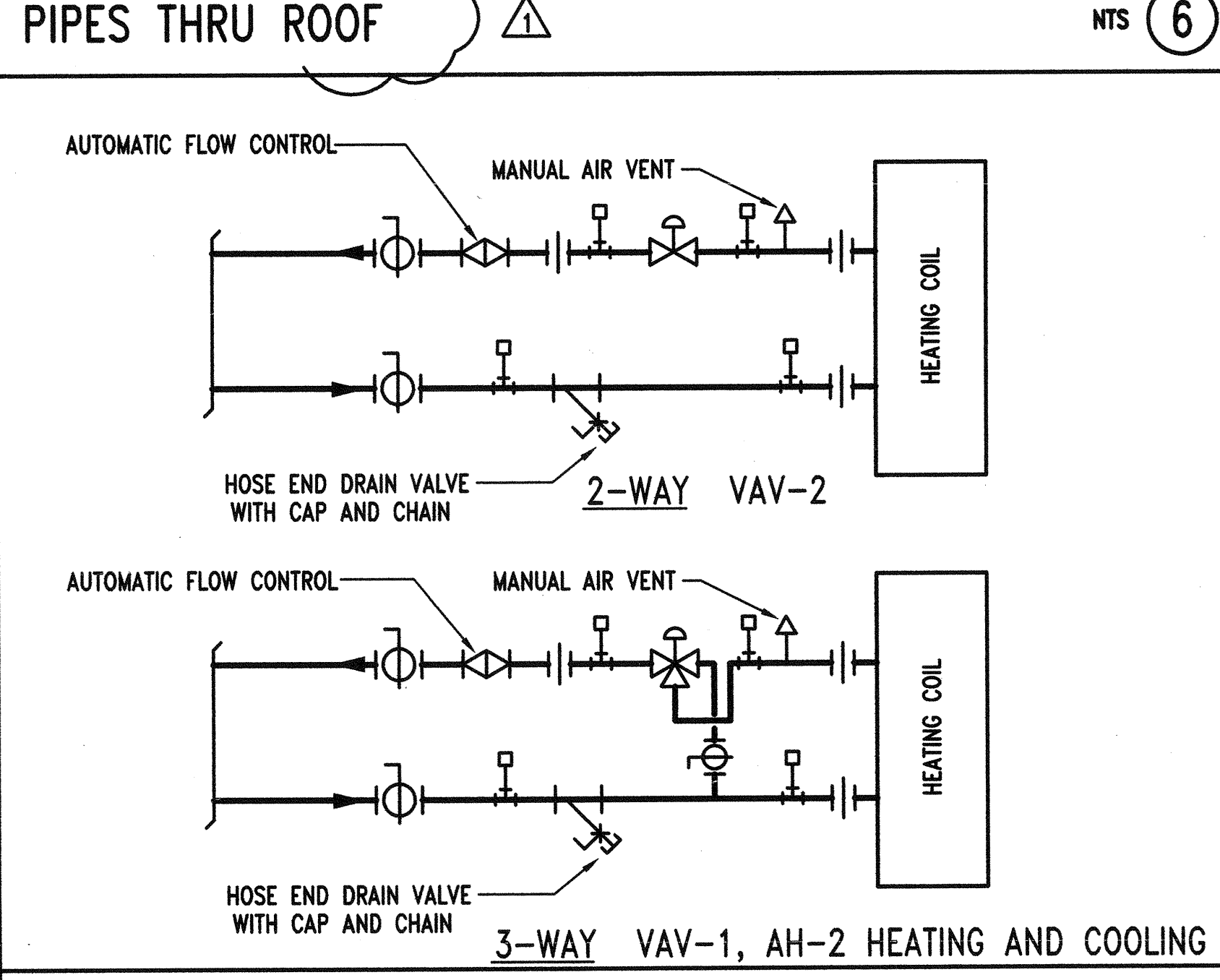
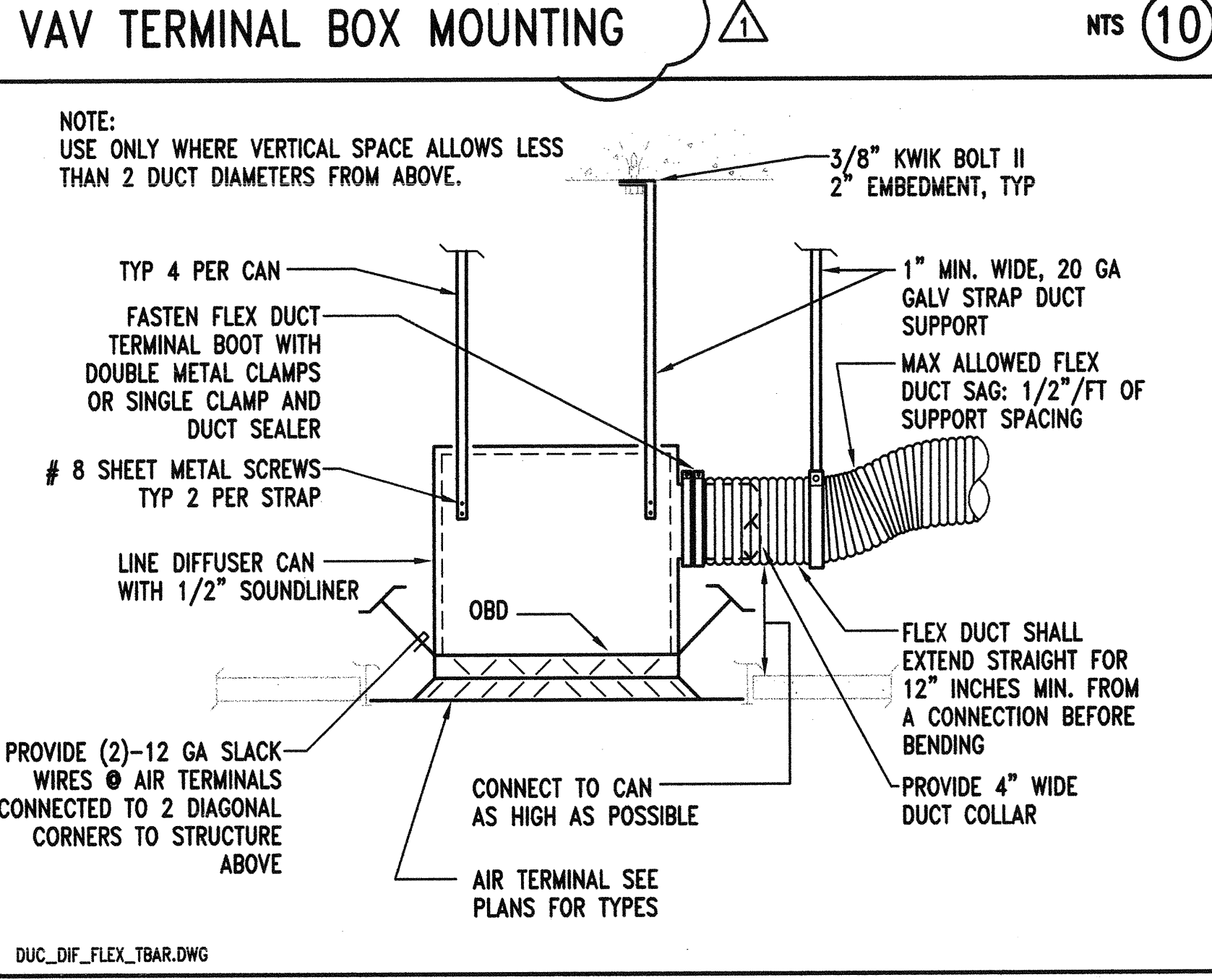
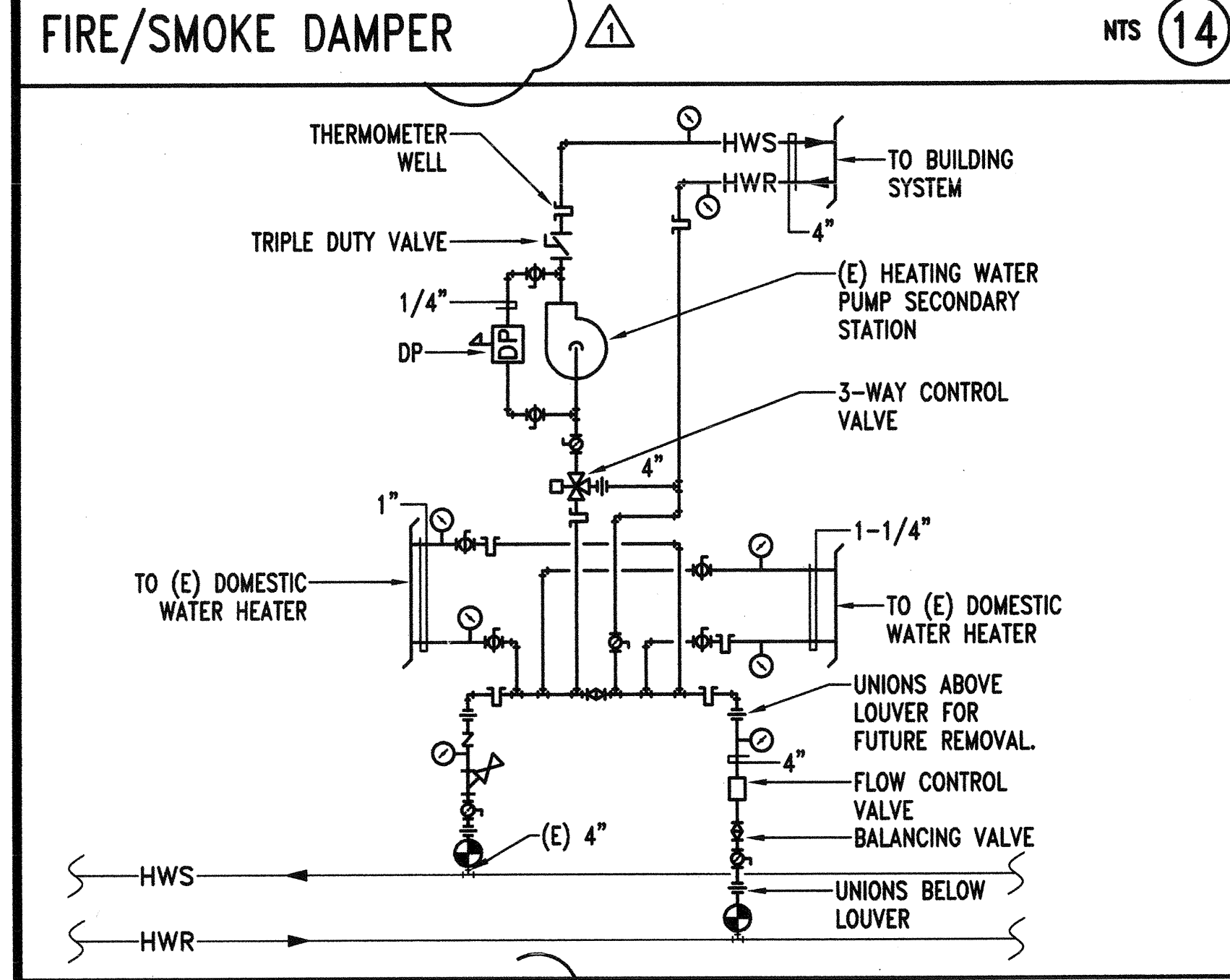
PIPES THRU WALL OR FLOOR NTS 3



VAV TERMINAL BOX MOUNTING NTS 10

PIPES THRU ROOF NTS 6

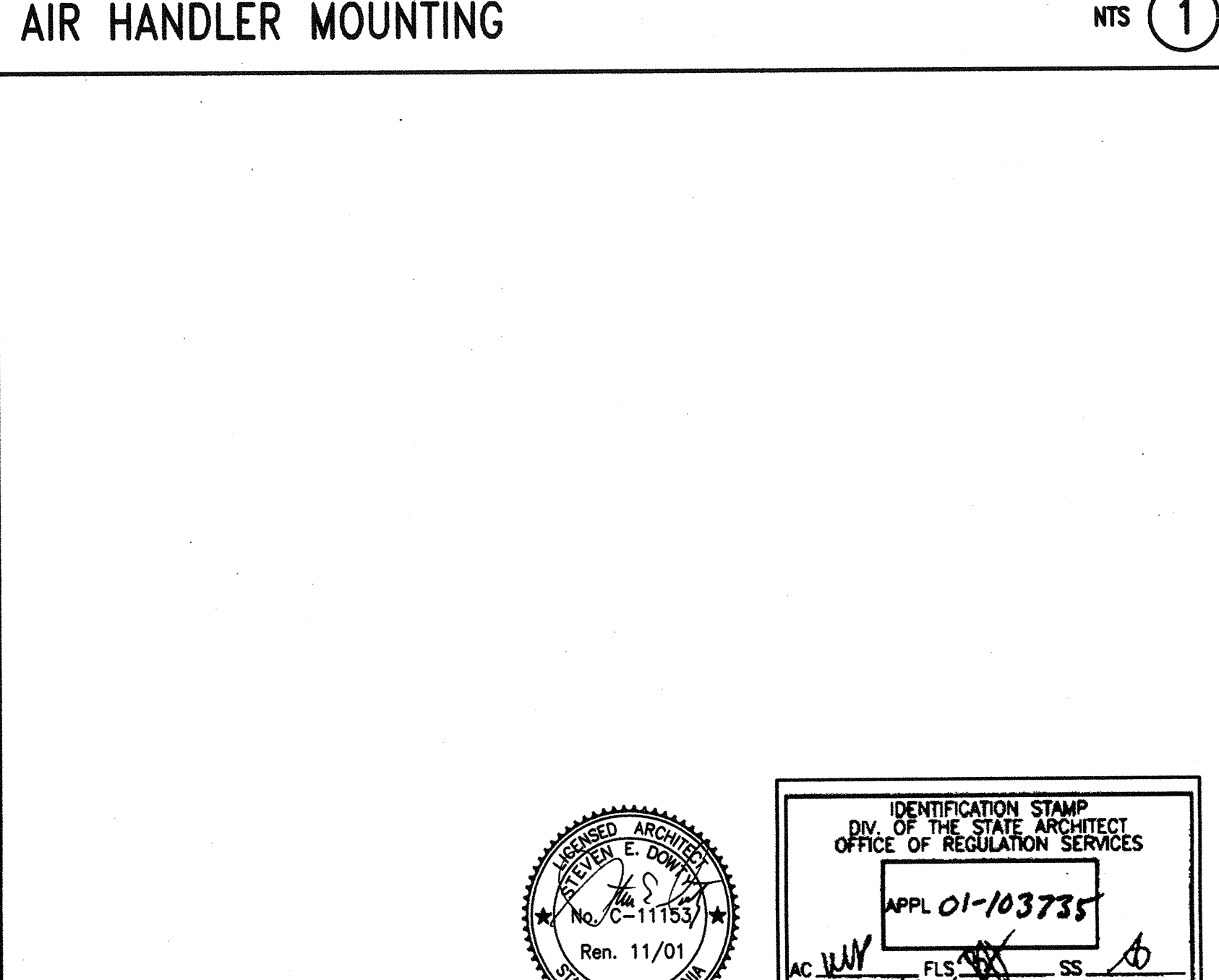
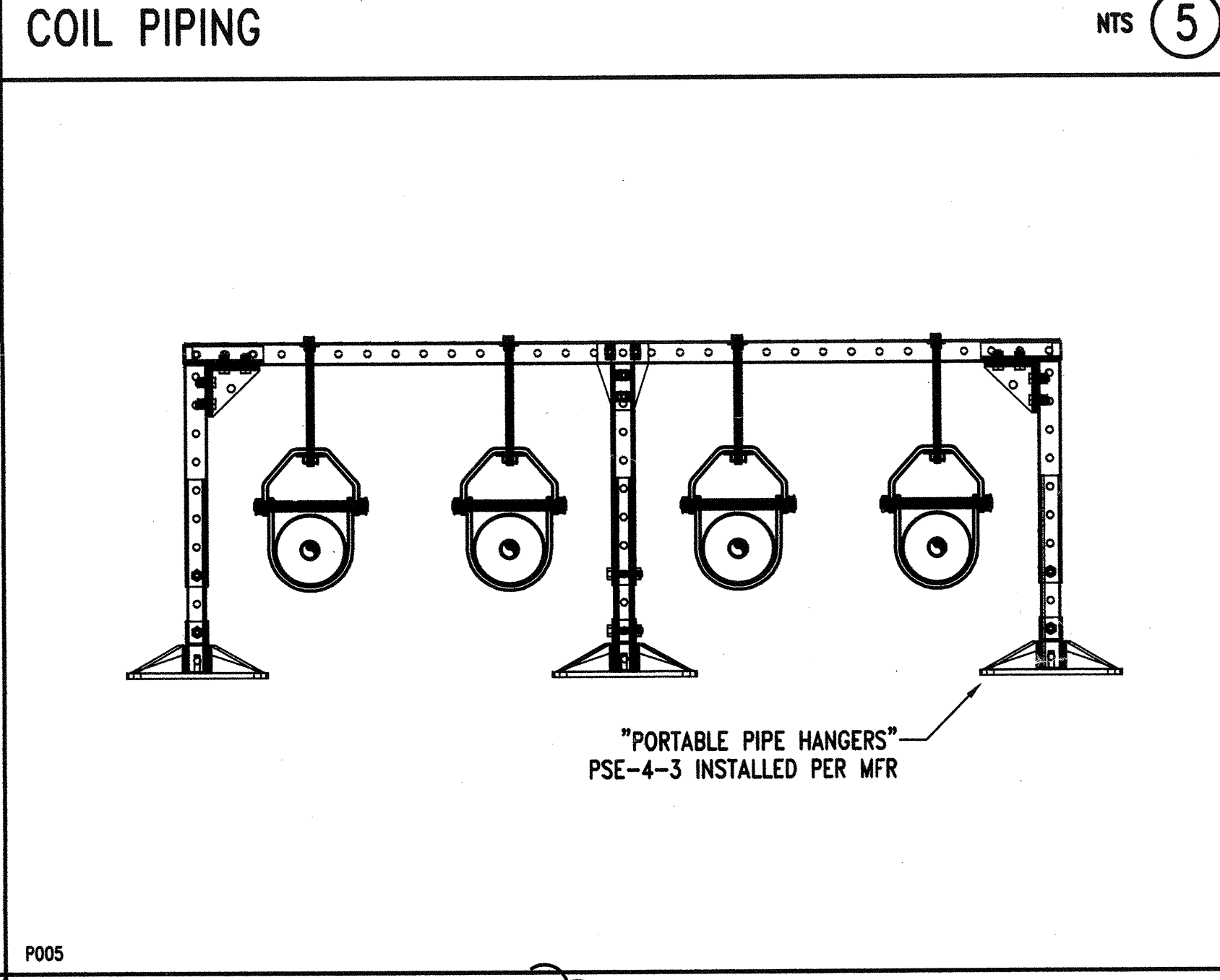
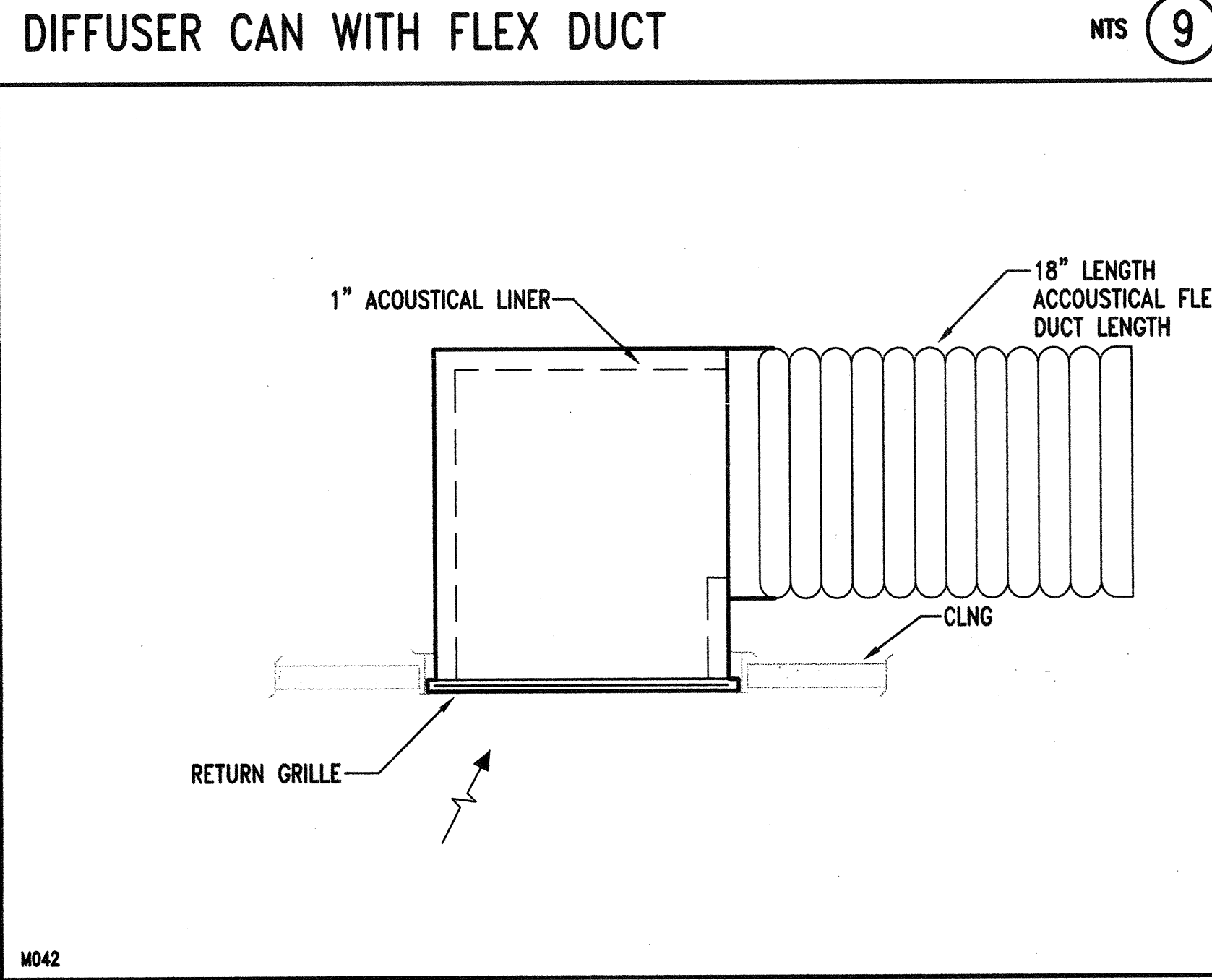
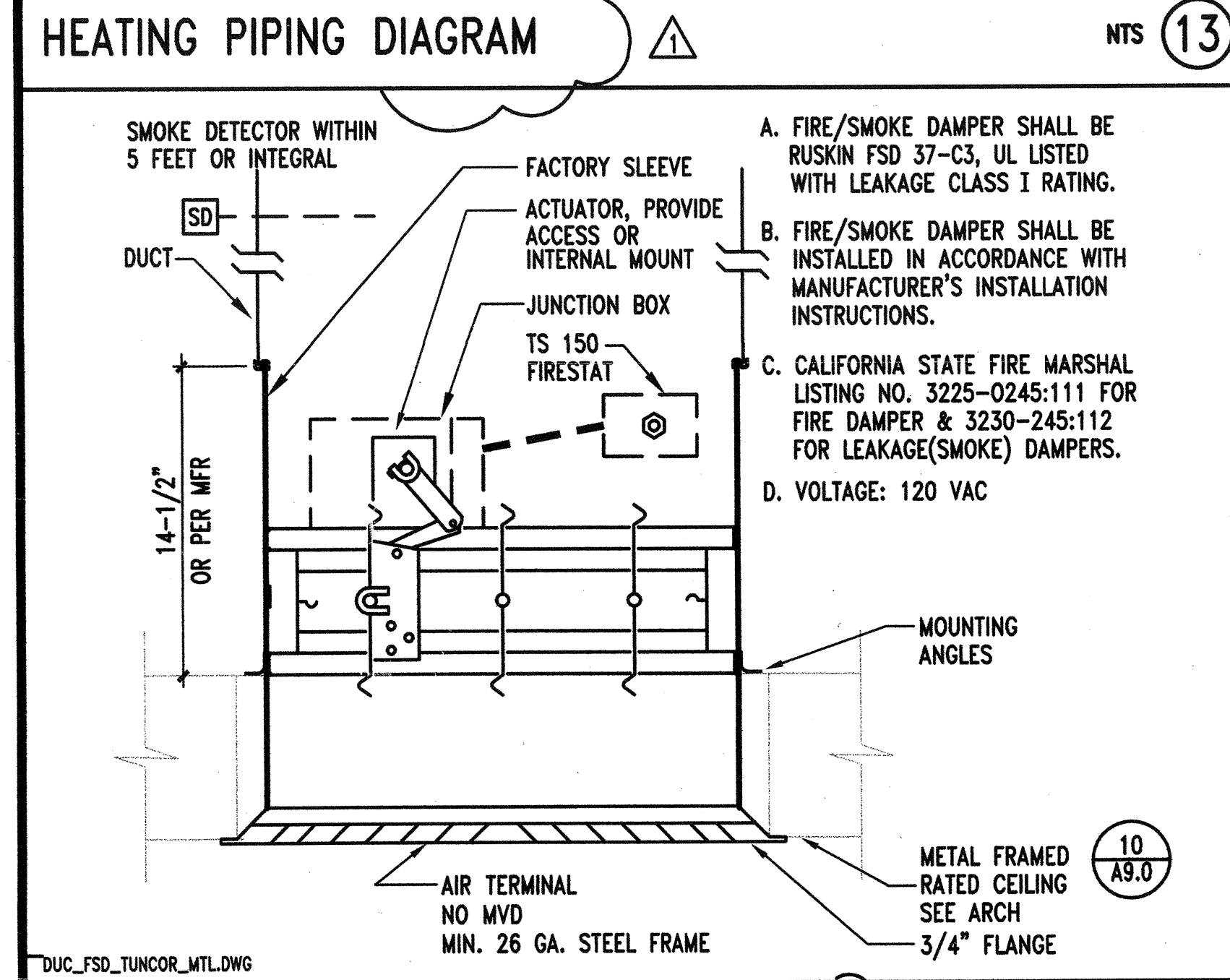
CHILLER MOUNTING NTS 2



DIFFUSER CAN WITH FLEX DUCT NTS 9

COIL PIPING NTS 5

AIR HANDLER MOUNTING NTS 1



RETURN BOOT NTS 8

PIPES SUPPORT ON ROOF NTS 4

TUNNEL CORRIDOR FIRE/SMOKE DAMPER NTS 12

REVISION			
NO.	DESCRIPTION	DATE	BY
1	BID SET REVISION	10/25/01	AVR
2			
3			
4			

DRAWN J. SIERRA, T. RAUTIO
 CHECKED AVR
 DATE 03-21-2001
 JOB NO. 98-03
 SHEET TITLE

ABBREVIATIONS, SYMBOLS, & SCHEDULES

SHEET

M 3.1

