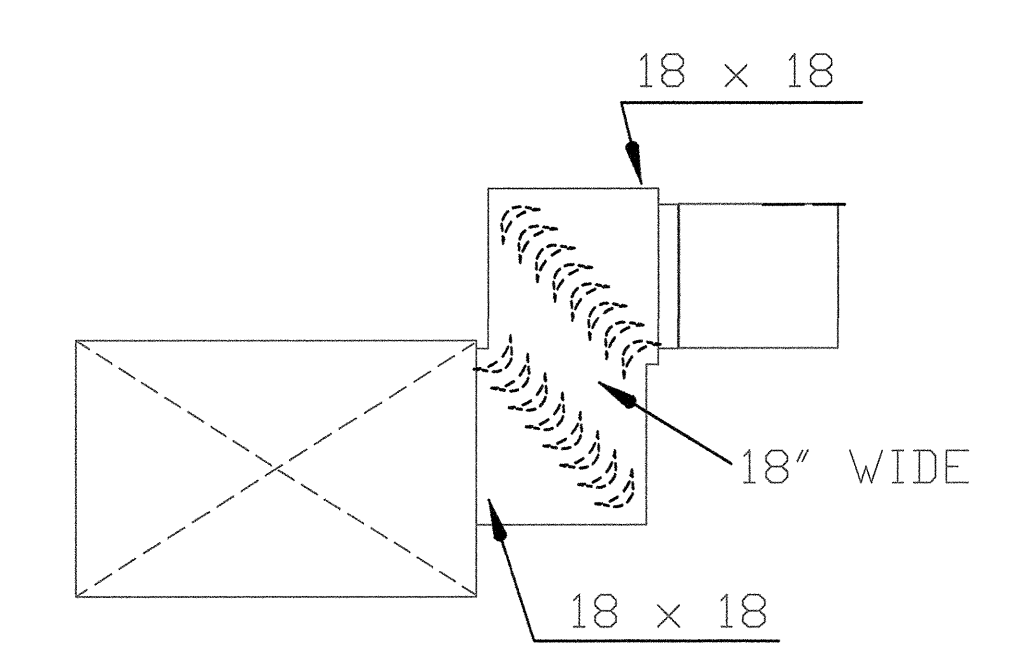
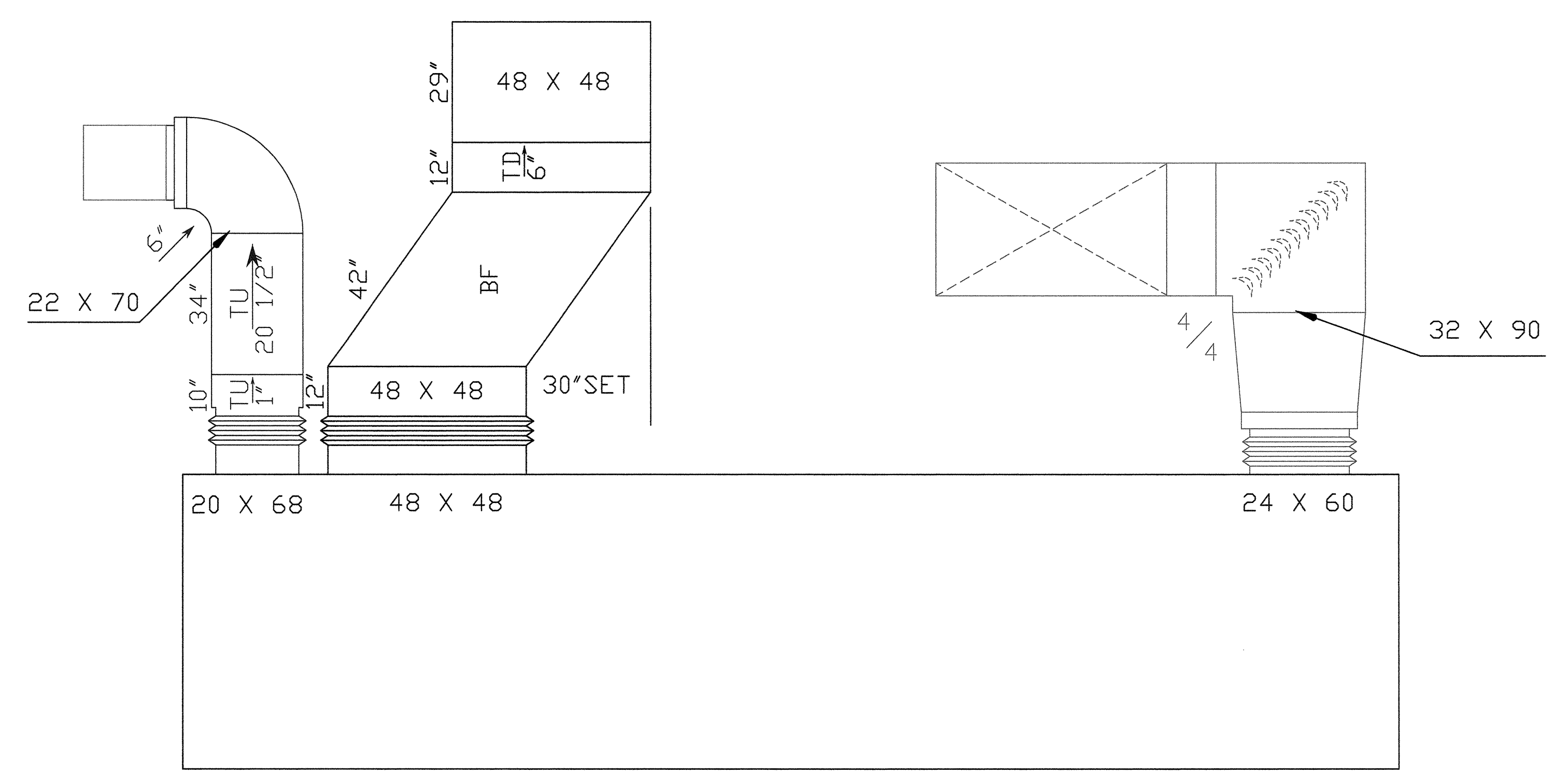


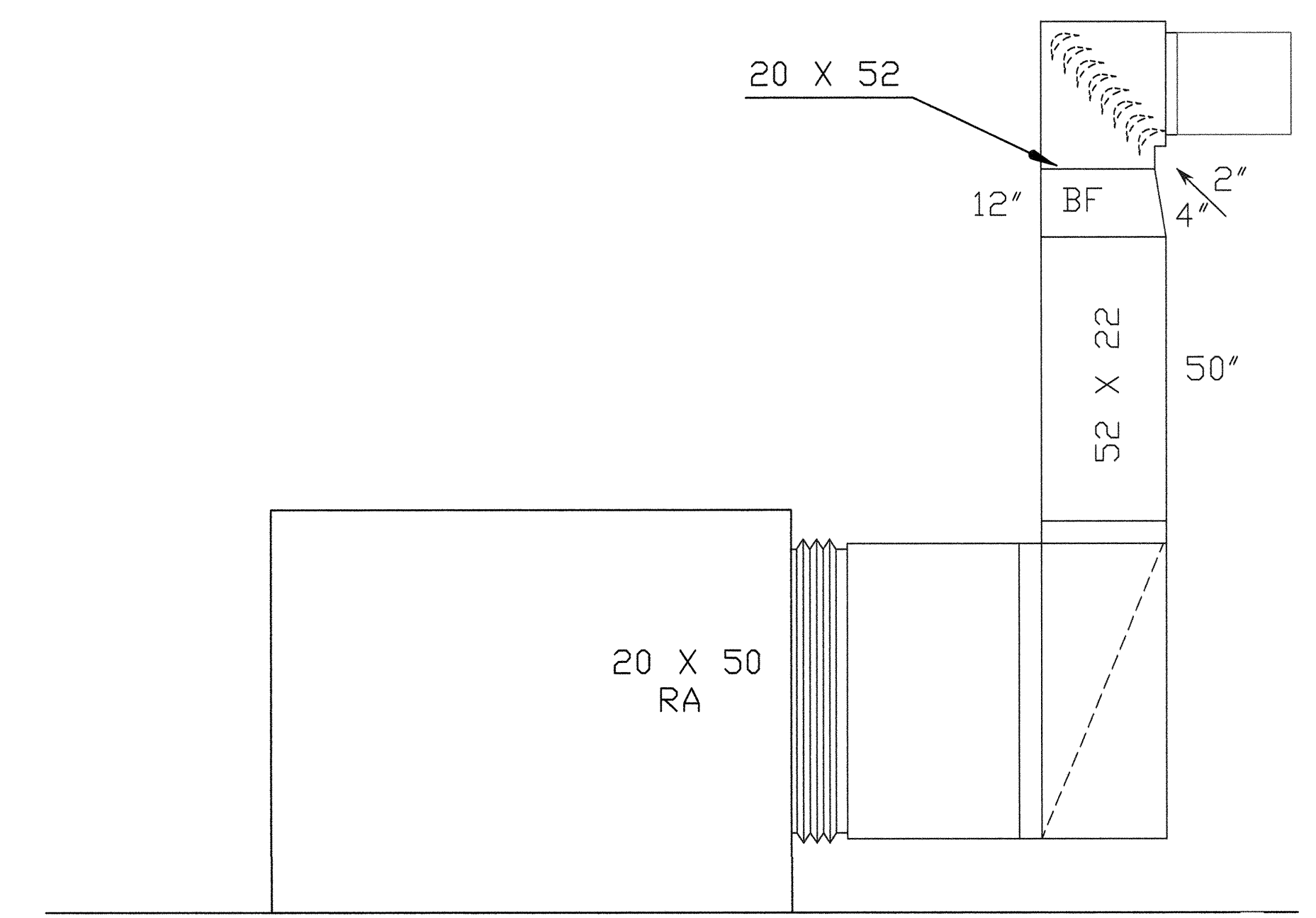
SECTION A-A



SECTION B-B



SECTION C-C



SECTION D-D

MECHANICAL ROOM

SCALE: 1/2" = 1'-0"

SKYLINE COLLEGE
 ADVANCED LEARNING TECHNOLOGY
 3300 COLLEGE DRIVE, SAN BRUNO, CA. 94066



1155 BEECHER STREET
 SAN LEANDRO, CA. 94577
 (510) 569-9100
 FAX (510) 569-9106

Rev.	Date	Remarks	By	Chk'd
AS-BUILTS	11/26/02			

Date: 4/9/02
 Scale:
 Project Name: SKYLINE COLLEGE
 ADVANCED TECHNOLOGIES
 Project No.: 01-0133
 Drawing Title:

MECHANICAL ROOM

Sheet No.
M2.7