

KRUGER BENSEN ZIEMER ARCHITECTS, INC. AIA
30 W. ARRELLAGA SANTA BARBARA, CA 93101
805/963.1728

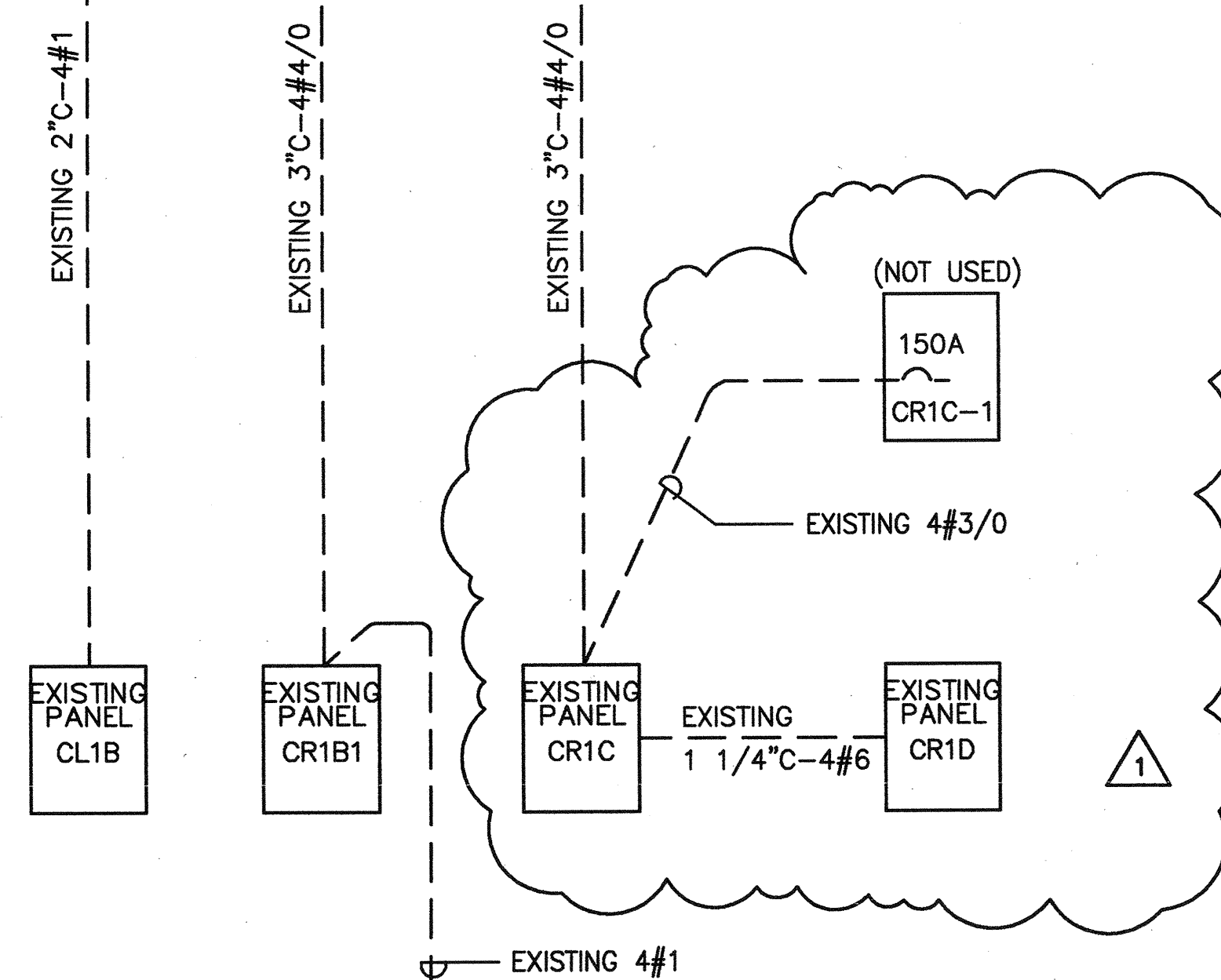
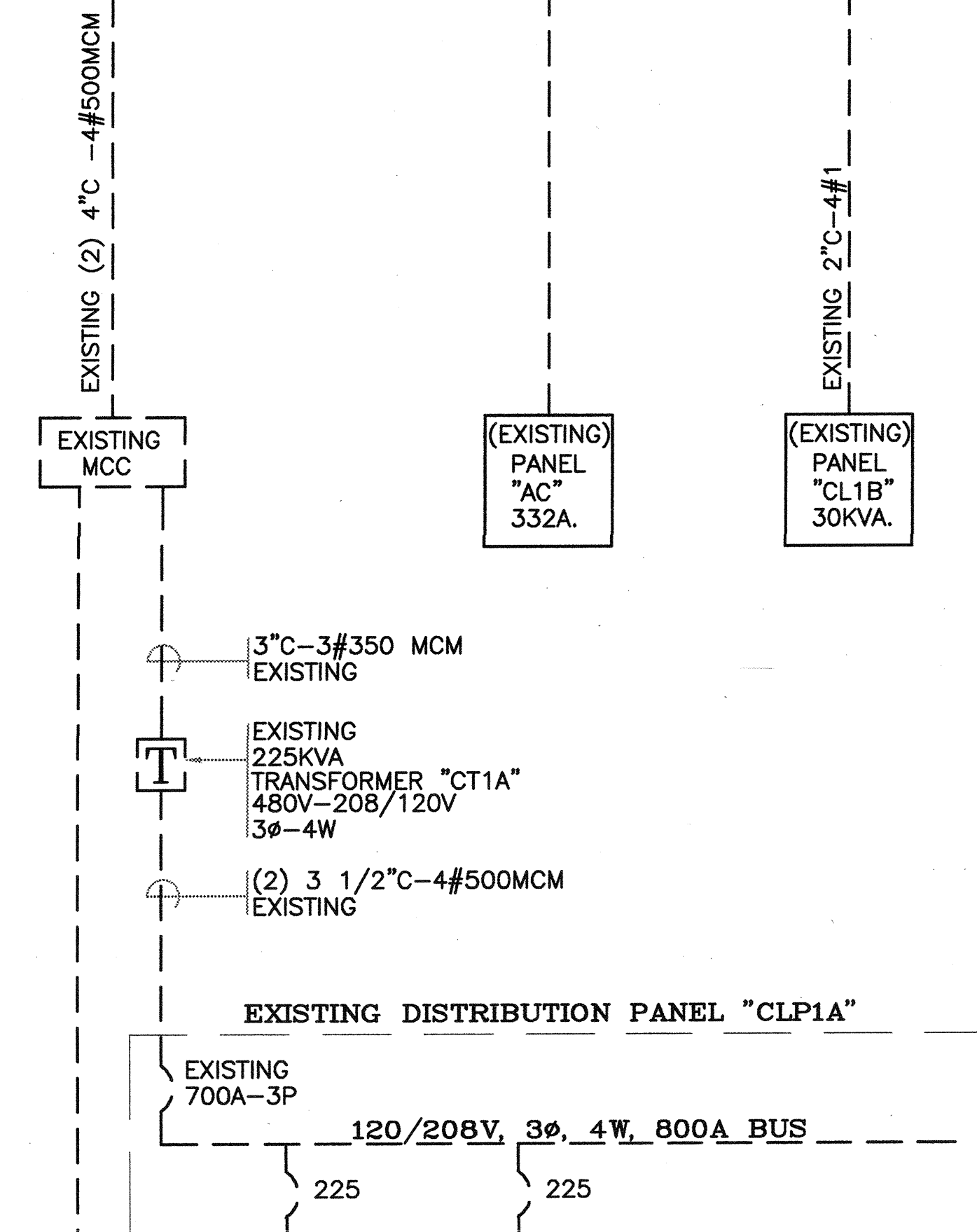
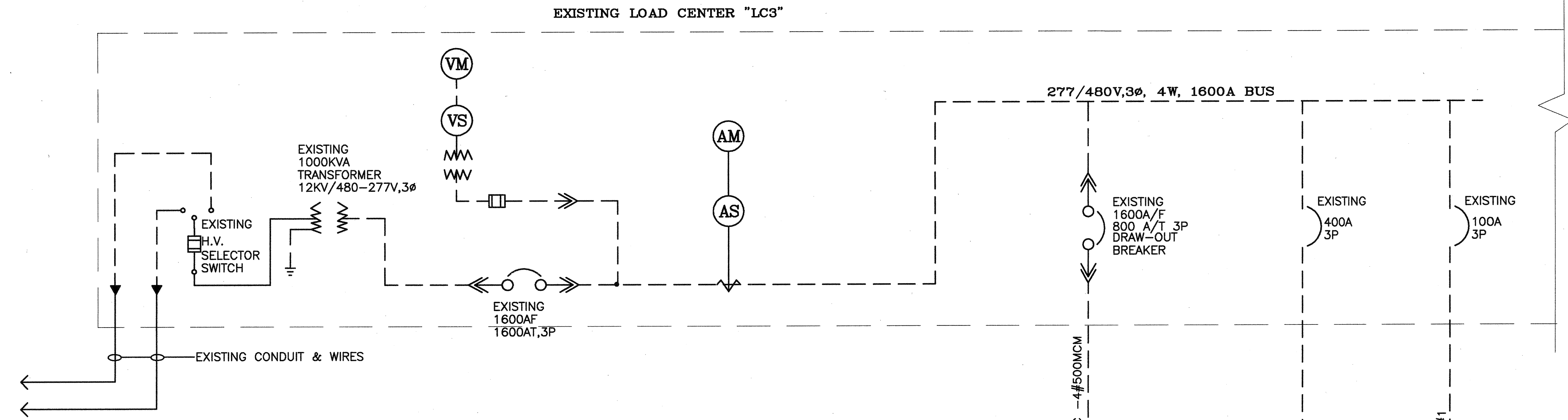
STEVE DOWTY, A.I.A.
PRINCIPAL IN CHARGE

GERALD SHUSTA
PROJECT ARCHITECT

All items, design, materials and work shown herein are intended to be completed by the date of the last revision of this drawing. It is the responsibility of the contractor to verify the accuracy of the information shown on this drawing. The contractor shall be responsible for any errors or omissions on this drawing. The contractor shall be responsible for any items not shown on this drawing. The contractor shall be responsible for any items not shown on this drawing.

DALAN ENGINEERING, INC.
ELECTRICAL ENGINEERS
DALAN JOB No AA181
8638 DARBY AVENUE (714) 771-4221
NORTHRIDGE, CA 91325 (805) 684-4844
(818) 772-2220 FAX (818) 772-2239

CENTER FOR ADVANCED LEARNING TECHNOLOGY
SKYLINE COLLEGE
 SAN MATEO COUNTY COMMUNITY COLLEGE DISTRICT
 SAN BRUNO, CALIFORNIA 94066
 3300 COLLEGE DRIVE



EXISTING PARTIAL SINGLE LINE DIAGRAM BUILDING #2
 ALL EXISTING PANELS ARE TO BE REUSED.
 ALL EXISTING 20A, SINGLE POLE BREAKERS SHALL BE REPLACED WITH NEW.
 (SEE PANEL SCHEDULES FOR QUANTITIES)

FIXTURE		SCHEDULE		MOUNTING		TOTAL WATTS	No. LAMPS	LAMP TYPE	REMARKS
TYPE	MANUFACTURE	CATALOG No.	SURF	REC.	PEND				
A	H.E. WILLIAMS	U4G-D24-3320C-36S-277V EB-2/1-EQ	•			96	3	F32T8	2'x4' PARABOLIC-2 ELECTRONIC BALLAST (1) 2 LAMP (1) 1 LAMP.
A1	H.E. WILLIAMS	U4G-D24-2320C-36S-277V EB-2-EQ	•			64	2	F32T8	2'x4' PARABOLIC-(1) ELECTRONIC BALLAST FOR (2) LAMPS
A2	LITHONIA	2GT-2-32-RW-A12-277-GEB10	•			64	2	F32T8	2'x4' PRISMATIC FLUORESCENT (2) ELECTRONIC BALLASTS.
A2A	LITHONIA	2GT-3-32-RW-A12-277-GEB10	•			96	3	F32T8	2'x4' PRISMATIC FLUORESCENT (2) ELECTRONIC BALLASTS. (1) 2 LAMP (1) 1 LAMP
A3	LITHONIA	2M-332-RW-A12-277-GEB10	•			96	3	F32T8	2'x4' SURFACE PRISMATIC
A4	LITHONIA	2M-232-RW-A12-277-GEB10	•			64	2	F32T8	2'x4' SURFACE PRISMATIC
A5	H.E. WILLIAMS	SU4-24-3230C-36S-277V EB 2/1	•			96	3	F32T8	2'x4' SURFACE PARABOLIC
B	H.E. WILLIAMS	77-4-1320C-277V-EB-1/1	•			32	1	F32T8	OPEN STRIP FLUORESCENT
C	LINEAR LIGHTING	D675-B-2-ET8-277V-PBL C24-BW-8'		•		128	4	F32T8	DUAL LAMP-PENDANT CONTINUOUS PARABOLIC FLUORESCENT 8'
C1	LINEAR LIGHTING	D675-B-2-ET8-277V-PBL C24-BW-4'		•		64	2	F32T8	DUAL LAMP-PENDANT CONTINUOUS PARABOLIC FLUORESCENT 4'
D	H.E. WILLIAMS	17-4-2320C-A-277-EB1/2	•			64	2	F32T8	SURFACE 10 3/4" WIDE FLUORESCENT WRAPAROUND
F	INFINITY LIGHTING	PH60-226Q-277V-EB-BH	•			64	2	F32T8	6" ROUND RECESSED FLUORESCENT WITH ELECTRONIC BALLAST.
EM	EMERGI-LITE	EC-2-120/277	•						EMERGENCY LT. WITH BATTERY PACK
X	EMERGI-LITE	LED-PXN-1/2-G-120/277	•						EXIT LT. WITH BATTERY PACK

NO.	DESCRIPTION	DATE	BY
1	BID SET REVISIONS	10/25/01	
2	DSA SUBMITTAL	06/15/01	
3	REVISION		

DATE	DESCRIPTION
03/21/01	DATE
98-03	DATE

DRAWN: OG
 CHECKED: DK
 DATE: 03/21/01
 JOB NO.: 98-03
 SHEET TITLE: SINGLE LINE DIAGRAM & FIXTURE SCHEDULE
 SHEET: E-5.2
 OF: