

KRUGER BENSON ZIEMER
ARCHITECTS, INC. AIA
30 W. ARRELLAGA SANTA BARBARA, CA
805/963.1726 93101

STEVE DOWTY, A.I.A.
PRINCIPAL IN CHARGE

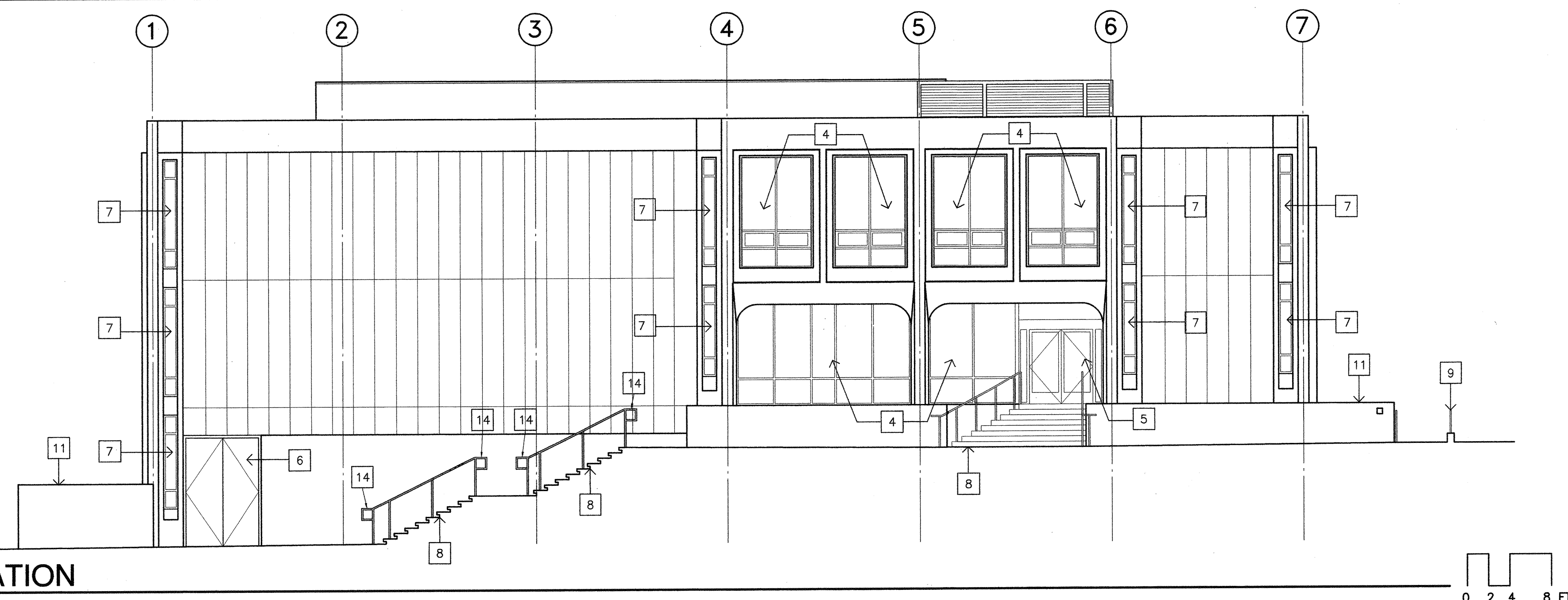
GERALD SHUSTA
PROJECT ARCHITECT

All items, design arrangements and plans indicated or represented by this drawing are used by and on the property of Kruger-Benson-Ziemer, all architects, and were created, revised and developed for use on, and in connection with, the specified project. None of such items, designs, arrangements or plans shall be used by or disclosed to any person, firm or corporation for any purpose whatsoever without the written permission of Kruger-Benson-Ziemer.

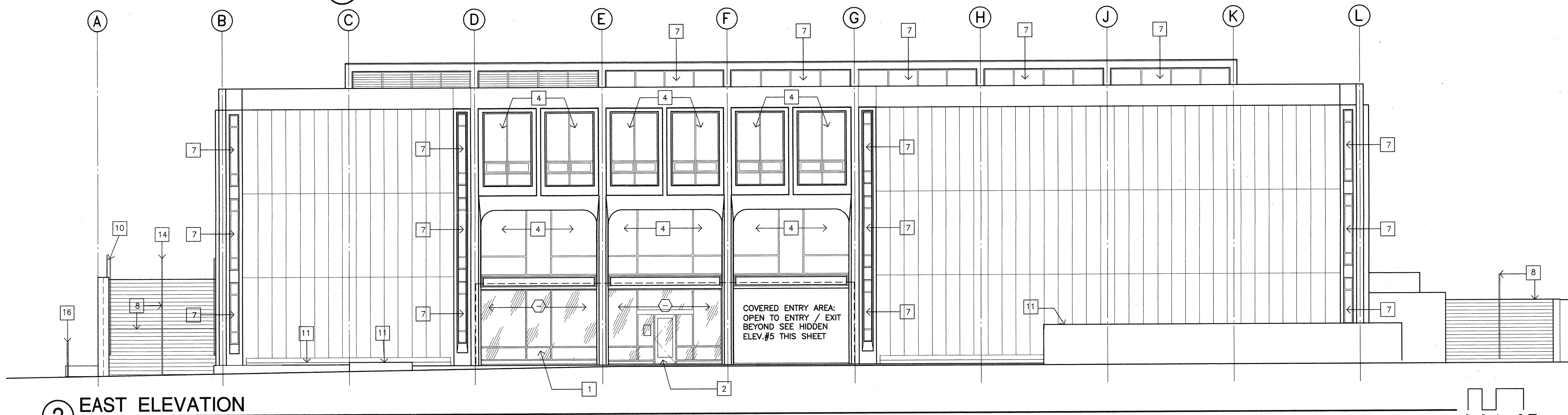
NUMBERED NOTES: THIS SHEET ONLY

- 1 (N) ALUM. & GLASS STOREFRONT SYSTEM INFILL
- 2 (N) ALUM. & GLASS STOREFRONT SYSTEM INFILL W/ (N) DOORS
- 3 REMOVE (E) CONC. & STEEL FRAMED STAIRS W/ STEEL HANDRAIL @ (E) SERVICE DOCK
- 4 (E) ALUM. & GLASS STOREFRONT SYSTEM INFILL
- 5 (E) ALUM. & GLASS STOREFRONT INFILL W/ (E) DOOR
- 6 (E) DOORS
- 7 (E) METAL FRAMED GLAZING IN CAST CONC. PANEL ELEMENT
- 8 (E) CONC. STAIRS W/ METAL HANDRAIL
- 9 (E) CONC. RAMP W/ METAL HANDRAIL
- 10 (E) METAL GUARDRAIL
- 11 (E) CONC. PLANTER WALL
- 12 (E) METAL LOUVERS - REMOVE FOR INSTALLATION OF (N) MECH. EQUIP & FRAME, REPAIR & REINSTALL
- 13 REPLACE (E) MTL. LOUVER @ (E) DOOR W/ (N) METL. LOUVER TO MATCH (E). SEE -/-
- 14 (N) MTL. HANDRAIL EXTENSIONS - SEE -/-
- 15 (N) AUTOMATIC SLIDING ALUM. DOOR W/ EMERGENCY "BREAK-AWAY" FEATURE.
- 16 (N) CONC. SLOPED WALK W/ METAL RAIL SEE -/-

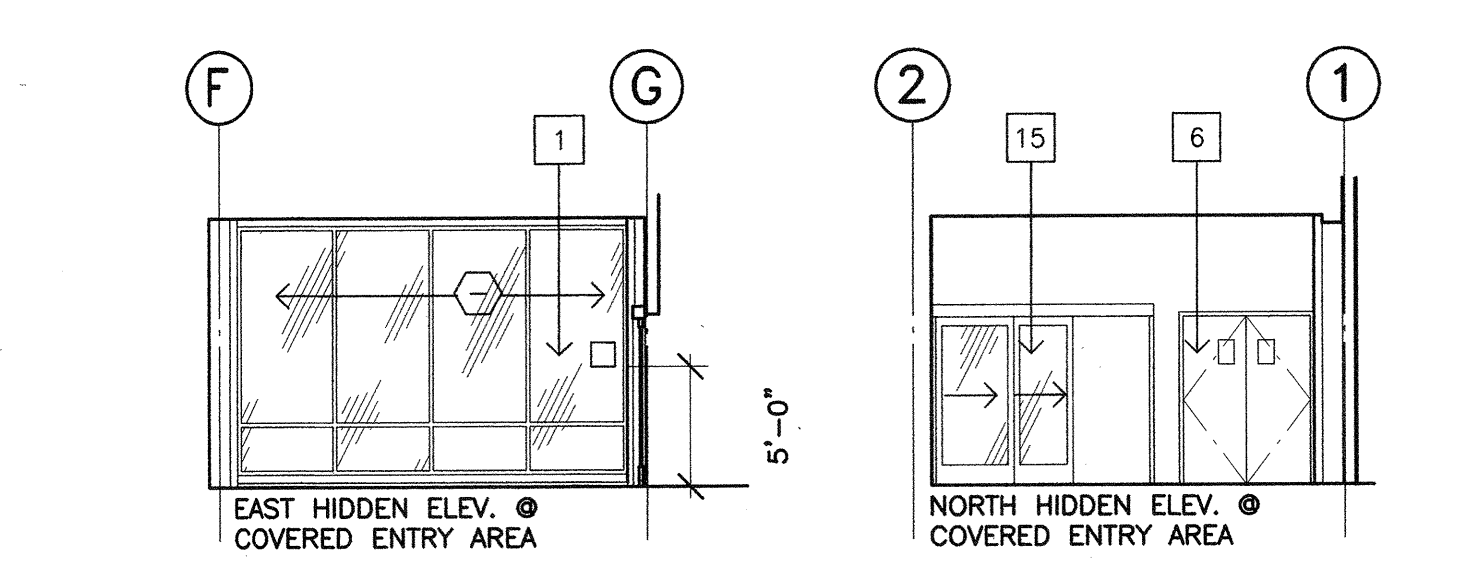
1 NORTH ELEVATION
SCALE: 1/8"=1'-0"



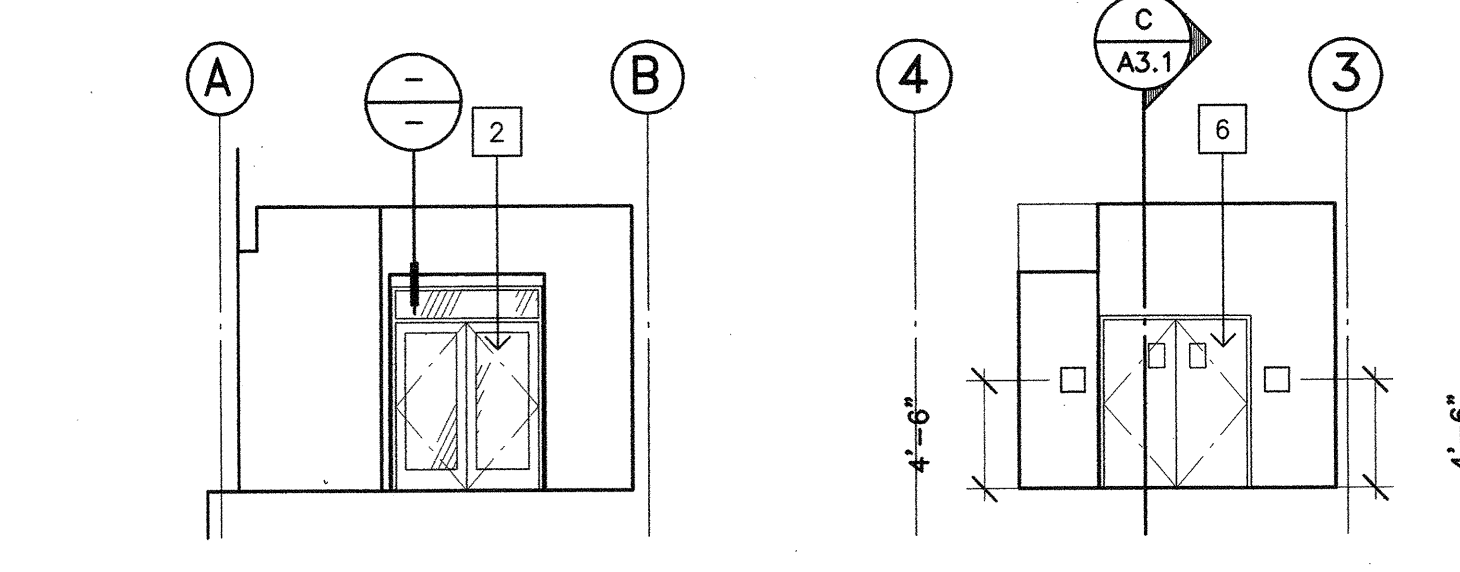
2 EAST ELEVATION
SCALE: 1/8"=1'-0"



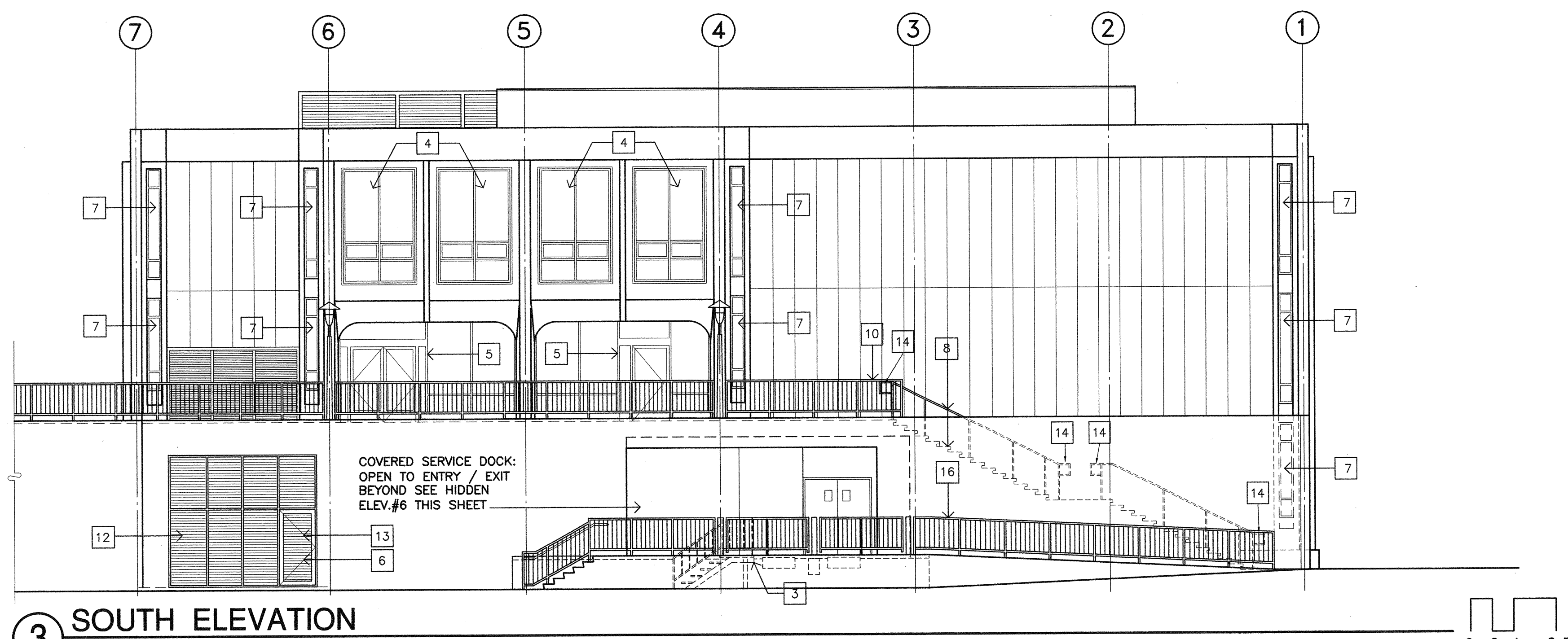
5 HIDDEN ELEVATIONS
SCALE: 1/8"=1'-0"



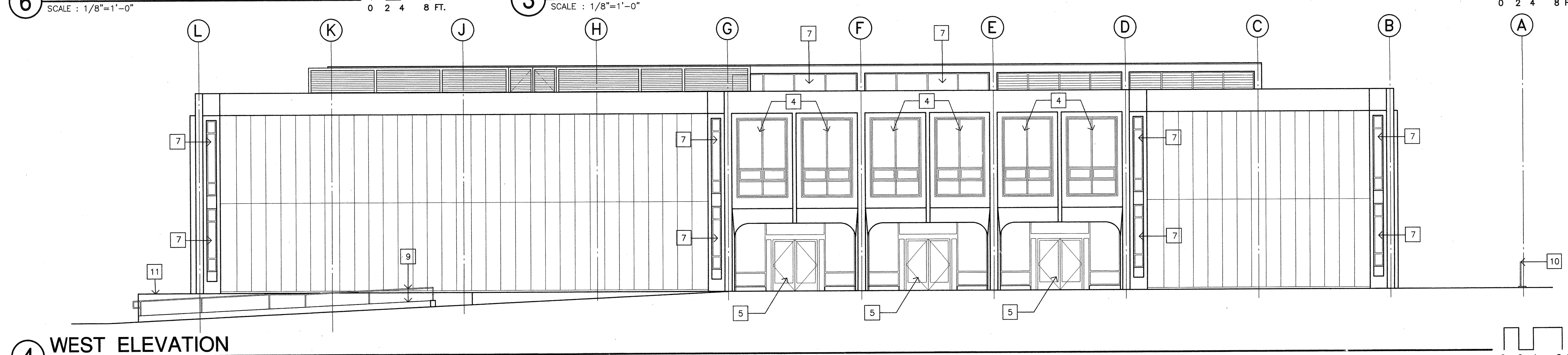
6 HIDDEN ELEVATIONS
SCALE: 1/8"=1'-0"



3 SOUTH ELEVATION
SCALE: 1/8"=1'-0"



4 WEST ELEVATION
SCALE: 1/8"=1'-0"



CENTER FOR ADVANCED LEARNING TECHNOLOGY
SKYLINE COLLEGE
 SAN MATEO COUNTY COMMUNITY COLLEGE DISTRICT
 SAN BRUNO, CALIFORNIA 94066
 3300 COLLEGE DRIVE

ASBUILT

NO.	DESCRIPTION	DATE	BY
REVISION			

DRAWN	G.S.
CHECKED	S.D.
DATE	3/21/01
JOB NO.	98-03
SHEET TITLE	
EXTERIOR ELEVATIONS	

SHEET 9

A 3.0

OF 21

