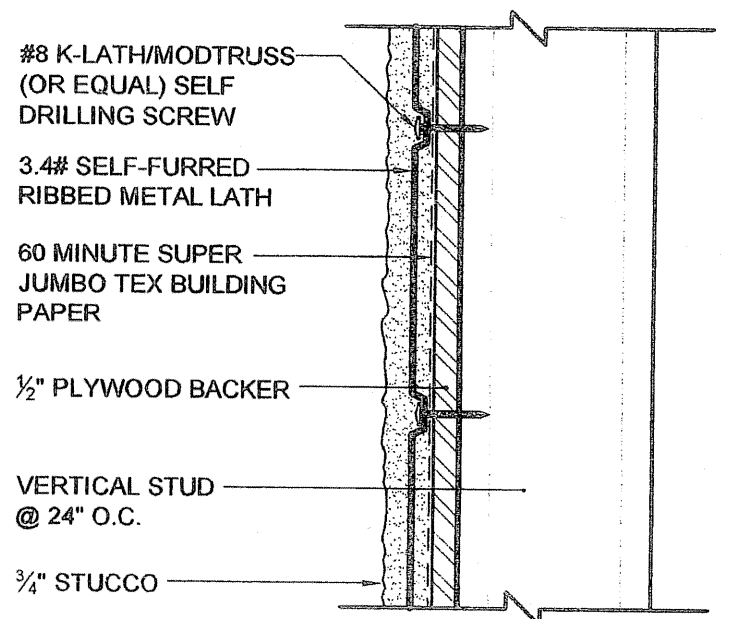


**SHEET NOTES:**

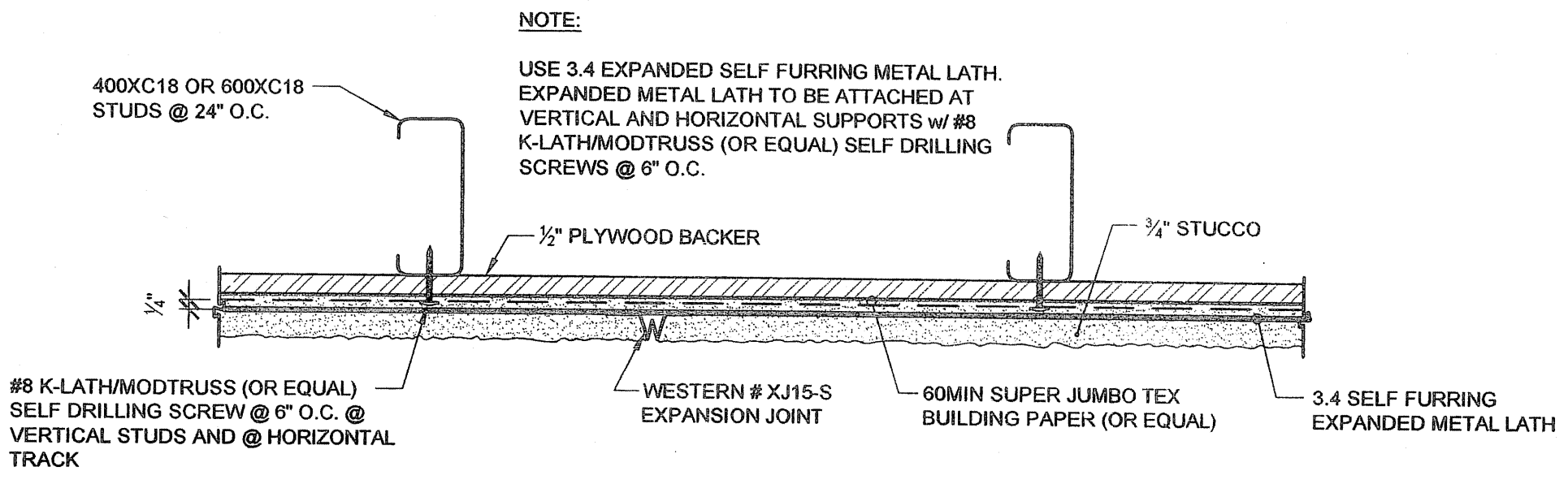
- STUCCO FINISH SHALL BE maxit 690. maxit 690 IS A PRE-BLENDED CEMENT-BASED PLASTER MIX.  
 THE COMPONENTS ARE:  

TYPE I-H PORTLAND CEMENT	1 PART	ASTM C-150
TYPE S HYDRATED LIME	UP TO 20%	ASTM C-206
SAND	4 PARTS	ASTM C-897
- maxit 690'S COMPONENT PROPORTIONS ARE IN ACCORDANCE WITH ASTM C826-98a. maxit 690 SIMULTANEOUSLY PLACES THE SCRATCH AND BROWN COATS PER 1997 UBC SECTION 2508 TABLE 25-F AND 2508.6 OF PORTLAND CEMENT-LIME PLASTER.
- INSTALL WESTERN #1A GALVANIZED METAL CORNER BEAD AT ALL OUTSIDE CORNERS.
- INSTALL WESTERN #15 GALVANIZED M-SHAPED METAL CONTROL JOINTS, AS SHOWN ON EXTERIOR ELEVATIONS.
- INSTALL WESTERN #66 METAL CASING BEADS AROUND DOORS.
- INSTALL WESTERN #7 FOUNDATION WEEP SCREED AT BOTTOM OF CEMENT PLASTER. SEE DETAIL (3) SS-1

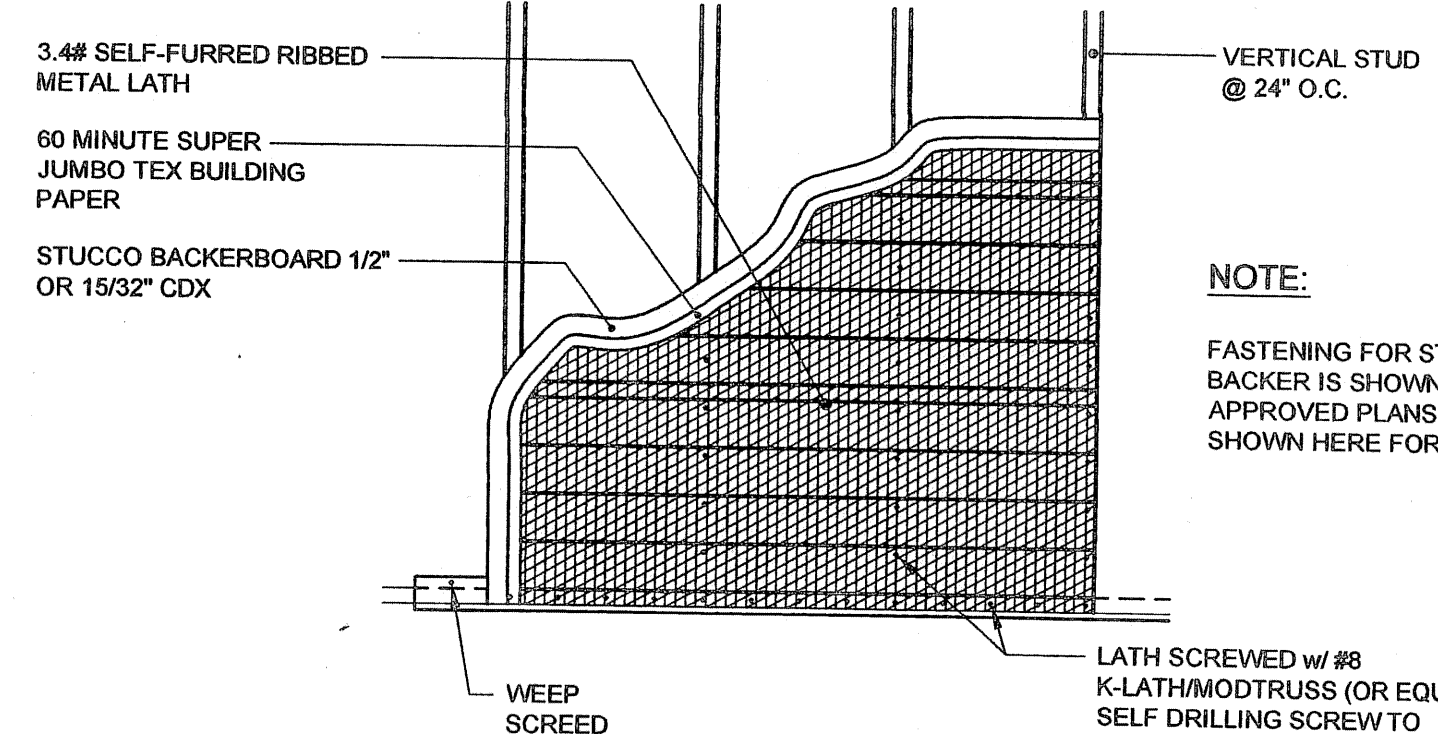
- THE maxit 690 PRE-BLENDED CEMENT PLASTER IS APPLIED OVER 60 MINUTE SUPER JUMBO TEXT BUILDING PAPER AND 3.4 SELF FURRING EXPANDED METAL LATH. FASTEN METAL LATH TO STUDS WITH #8 K-LATH/MODTRUSS (OR EQUAL) SELF DRILLING SCREW SPACED AT 6" O.C. AT EACH VERTICAL STUD & 6" O.C. AT HORIZONTAL TRACK. SEE DETAIL (1) & (2) SS-1



**VERT. SECTION**  
SCALE: 3" = 1'-0" (1a)

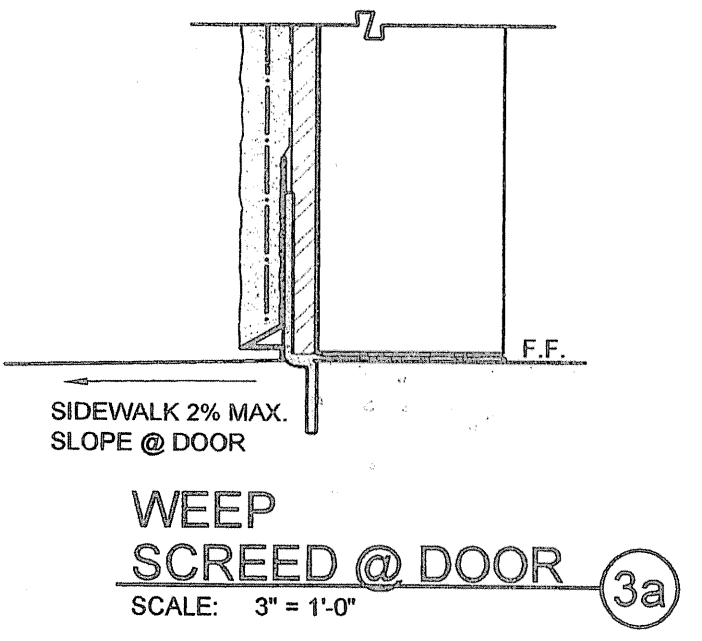


**STUCCO LATH**  
SCALE: 3" = 1'-0" (1)

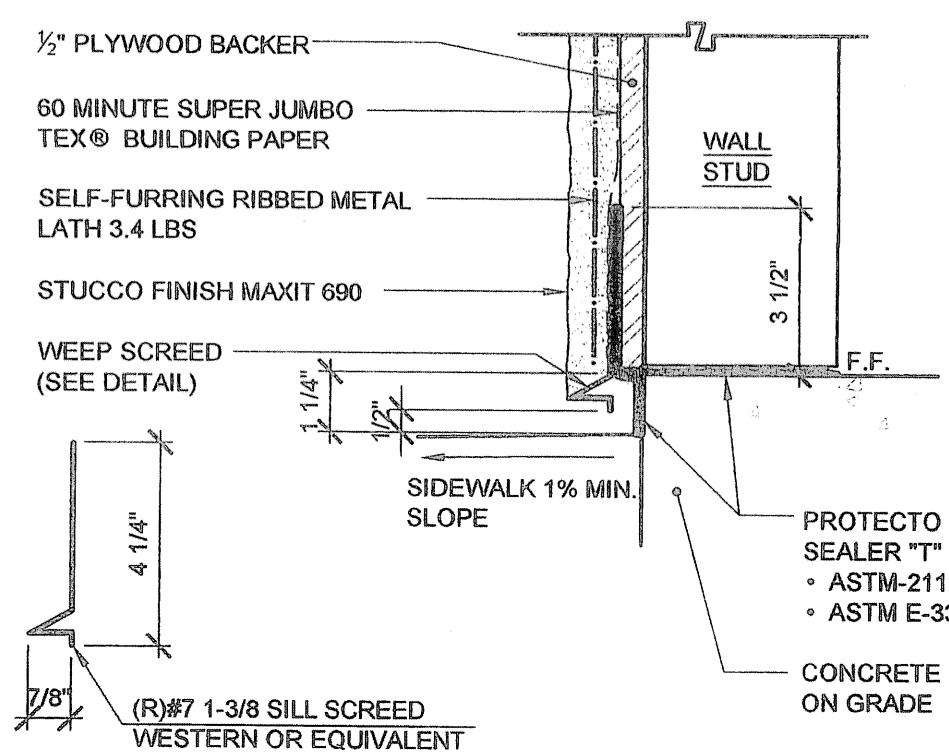


**NOTE:**  
FASTENING FOR STUCCO BACKER IS SHOWN ON APPROVED PLANS. NOT SHOWN HERE FOR CLARITY

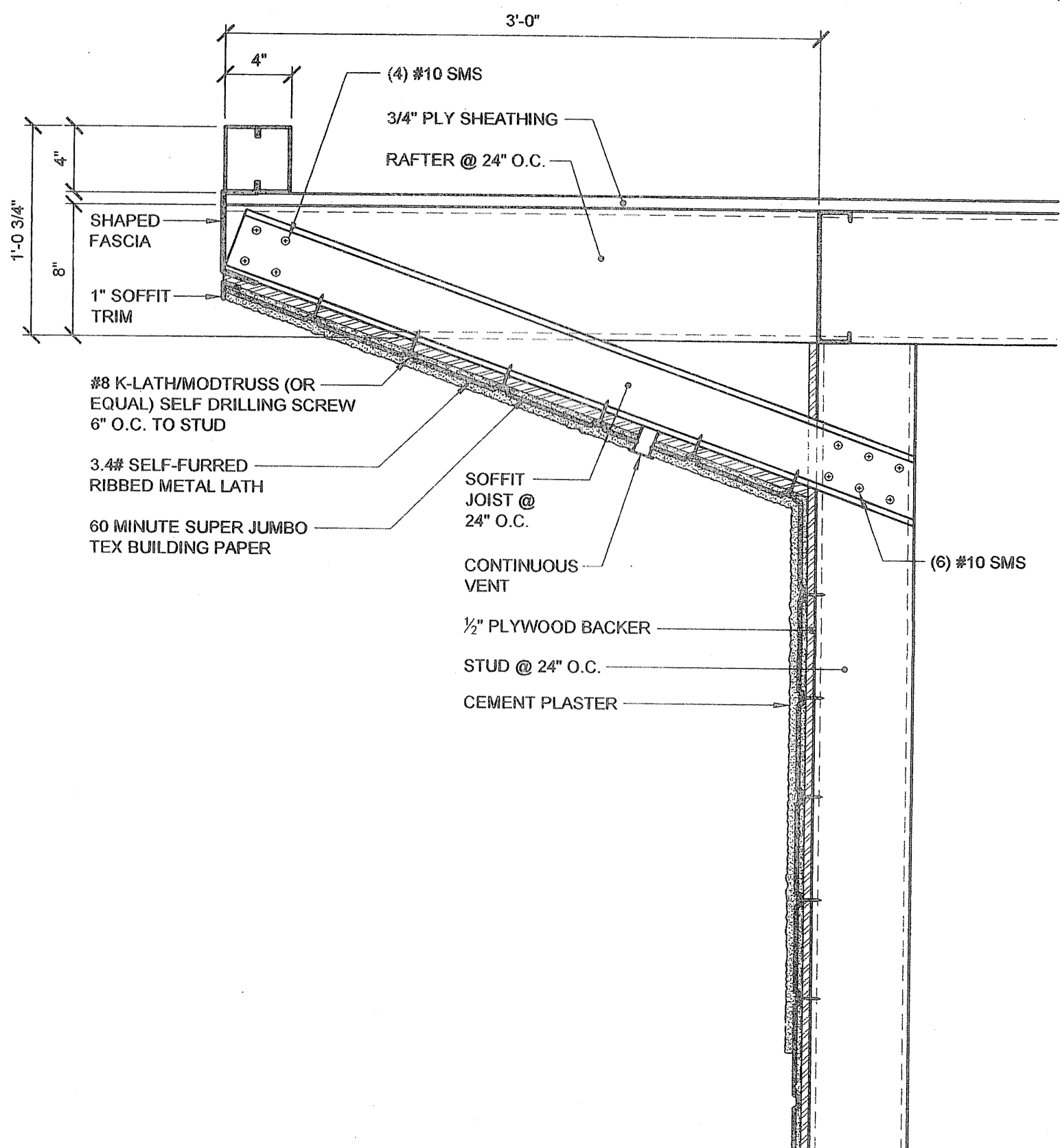
**STUCCO LATH**  
SCALE: 1/2" = 1'-0" (2)



**WEEP SCREED @ DOOR**  
SCALE: 3" = 1'-0" (3a)



**WEEP SCREED**  
SCALE: 3" = 1'-0" (3)



**RAFTER & SOFFIT JOIST SECTION**  
SCALE: 1 1/2" = 1'-0" (4)

ALTERNATE LATH SYSTEM FOR STUCCO USE IN LEIU OF PC DETAILS (5) A-9 & (5) S-8

REVISIONS	

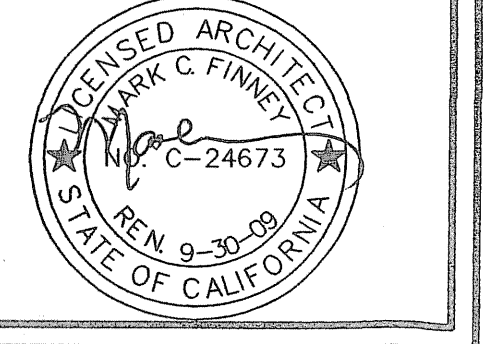
COPYRIGHT © 2003 SARAMARK, INCORPORATED  
 THESE PLAN DRAWINGS ARE PROPRIETARY DOCUMENTS OF SARAMARK, INCORPORATED & ARE NOT TO BE DISTRIBUTED, PUBLISHED OR REPRODUCED WITHOUT THE WRITTEN CONSENT OF SARAMARK INCORPORATED.

**EC CONSULTING GROUP**  
 1880 AVIATION AVE  
 SUITE 200-P  
 SAN JOSE, CA 95131  
 TEL: (408) 286-9815

**COLLEGE of SAN MATEO**  
 SAN MATEO UNIFIED SCHOOL DISTRICT

**SARAMARK INCORPORATED**  
 SERIES NEW  
 P.O. BOX 24299  
 SAN JOSE, CALIFORNIA 95154  
 TEL: (408) 971-3881  
 FAX: (408) 971-3234

ALTERNATE LATH SYSTEM FOR STUCCO



IDENTIFICATION STAMP  
 DIV. OF THE STATE ARCHITECT  
 OFFICE OF REGULATION SERVICES  
 01-108848  
 AC 7/2 FLS 1/1 SS 1/1  
 DATE 10 2007

DRAWN: ED  
 DATE: 4.11.07  
 CHECKED: FAV  
 SCALE: AS NOTED  
 PROJECT: 1615

**SS-1**