

REVISIONS	
1	
2	
3	
4	
5	
6	

COPYRIGHT © 2002 TO BE USED IN THE YEARS 2003 - 2005. SARAMARK, INCORPORATED

THESE PLAN DRAWINGS ARE PROPRIETARY DOCUMENTS OF SARAMARK, INCORPORATED & ARE NOT TO BE DISTRIBUTED, PUBLISHED OR REPRODUCED WITHOUT THE WRITTEN CONSENT OF SARAMARK INCORPORATED.

EC CONSULTING GROUP

1250 AVIATION AVE
SUITE 200-F
SAN JOSE, CA 95110
TEL: (408) 294-5313

4000AX SERIES "EXPO 2001"

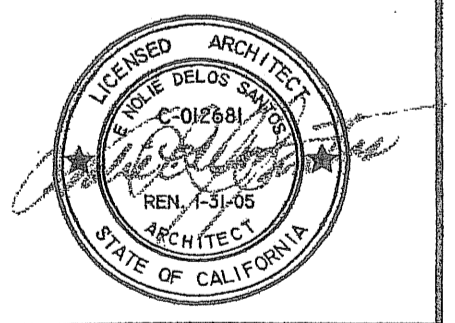
CLASSROOMS WITH 40' SPAN SCISSOR TRUSS

SARAMARK INCORPORATED

SERIES 4000AX EXPO

P.O. BOX 24388
SAN JOSE, CALIFORNIA 95164
TEL: (408) 971-8881
FAX: (408) 971-8884

TYPICAL STRUCTURAL DETAILS

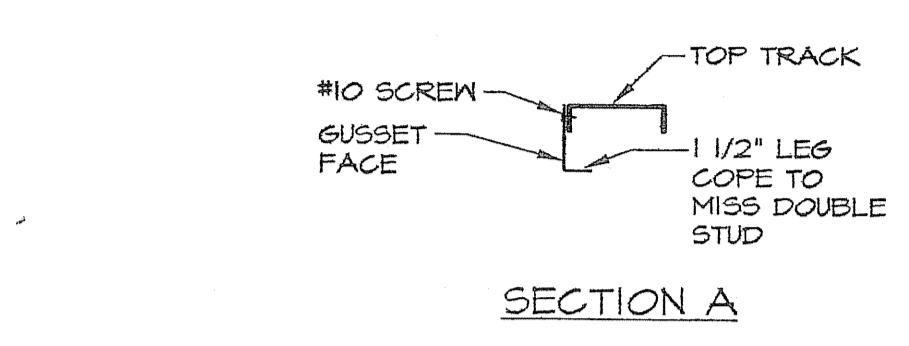
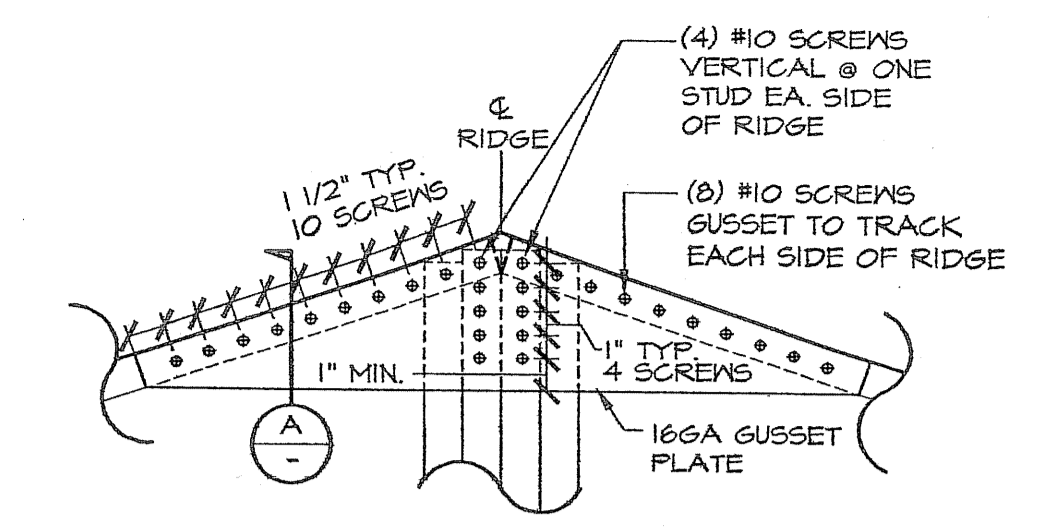


IDENTIFICATION STAMP
DIV. OF THE STATE ARCHITECT
OFFICE OF REGULATION SERVICES

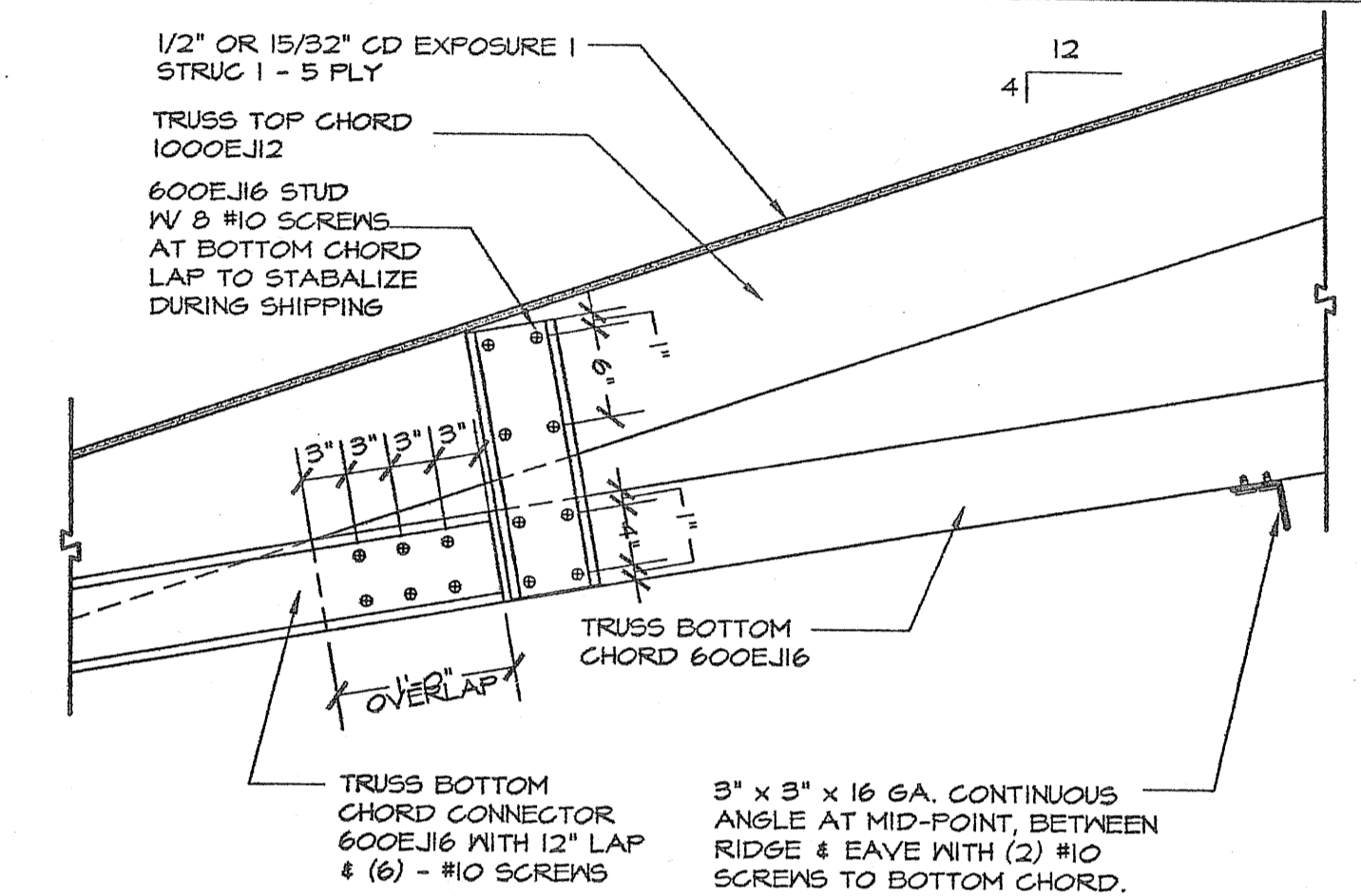
PC 01-105106
AC: FLS: SS: *ib*
DATE: 11/15/02

DRAWN: DESIGN TEAM
DATE: 11/15/02
CHECKED: DESIGN TEAM
SCALE: AS SHOWN
PROJECT: 1226

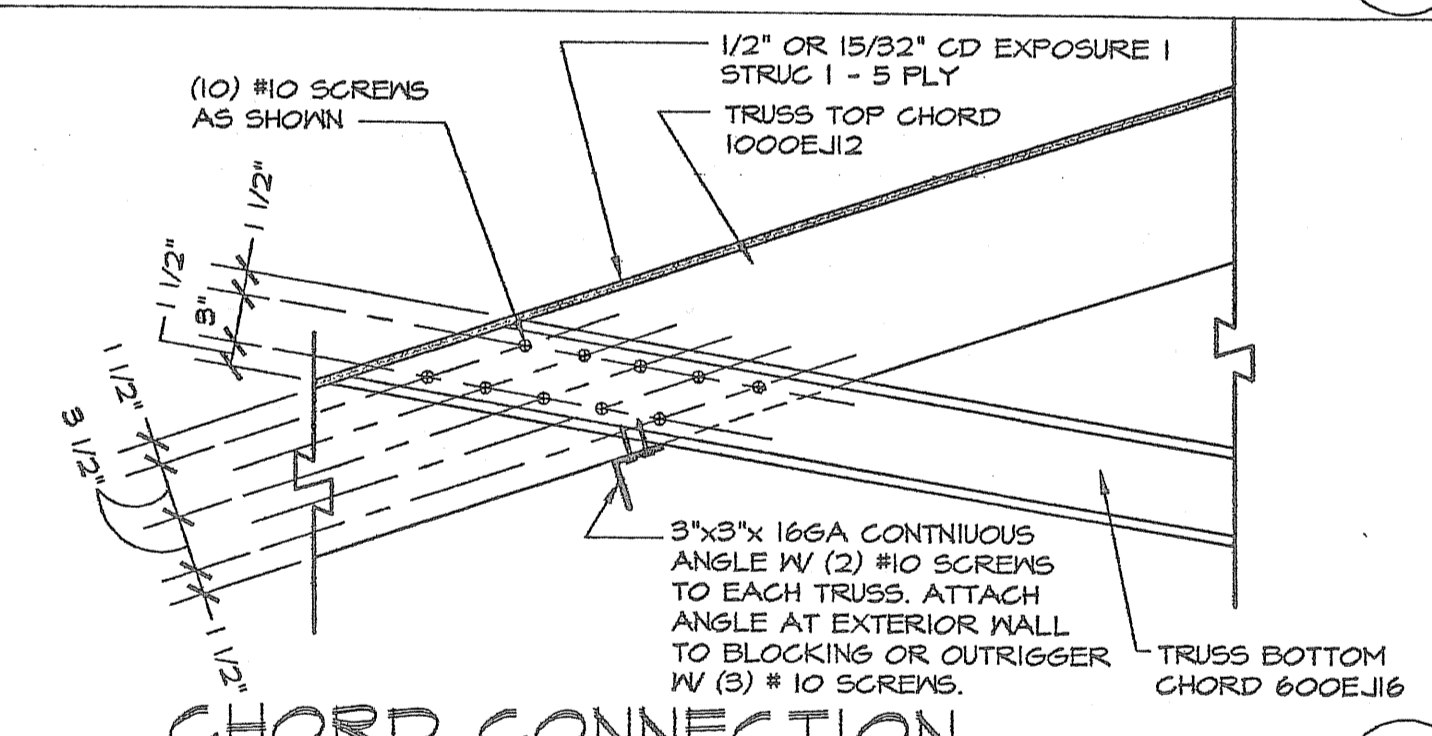
S-9



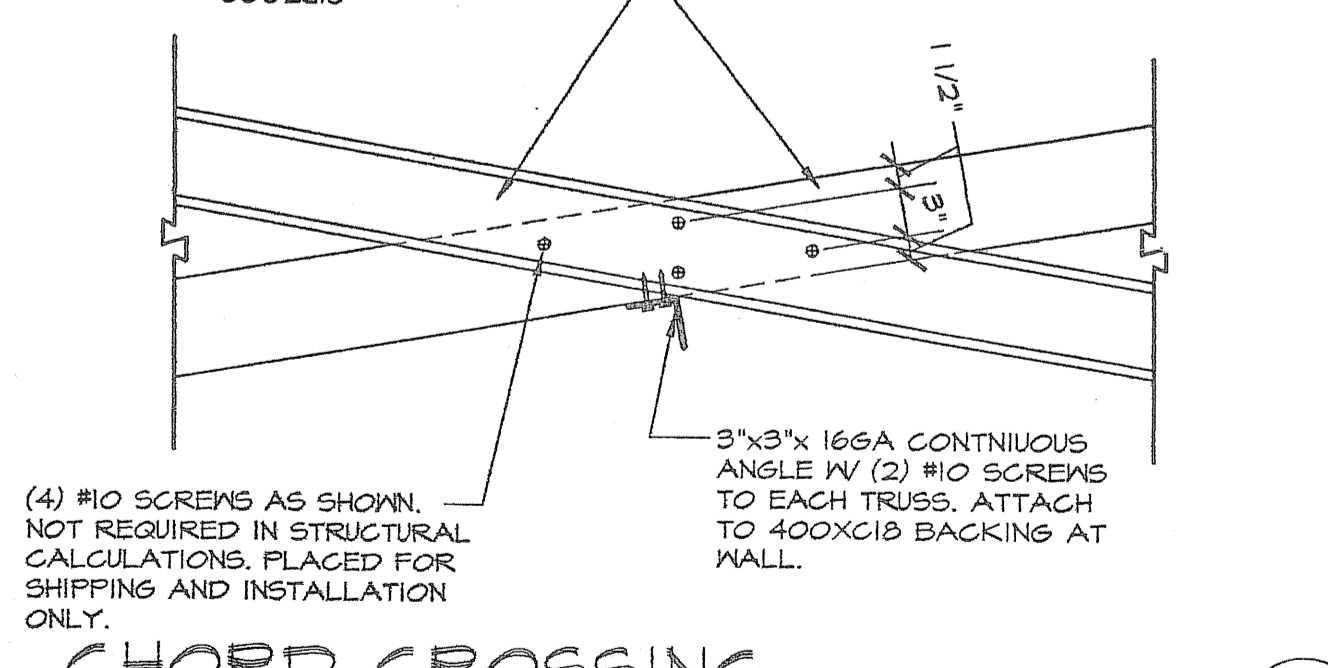
RIDGE GUSSET
SCALE: 1/2" = 1'-0"



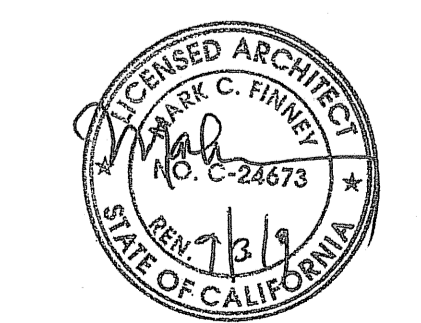
TRUSS BOTTOM CONNECTION
SCALE: 1" = 1'-0"



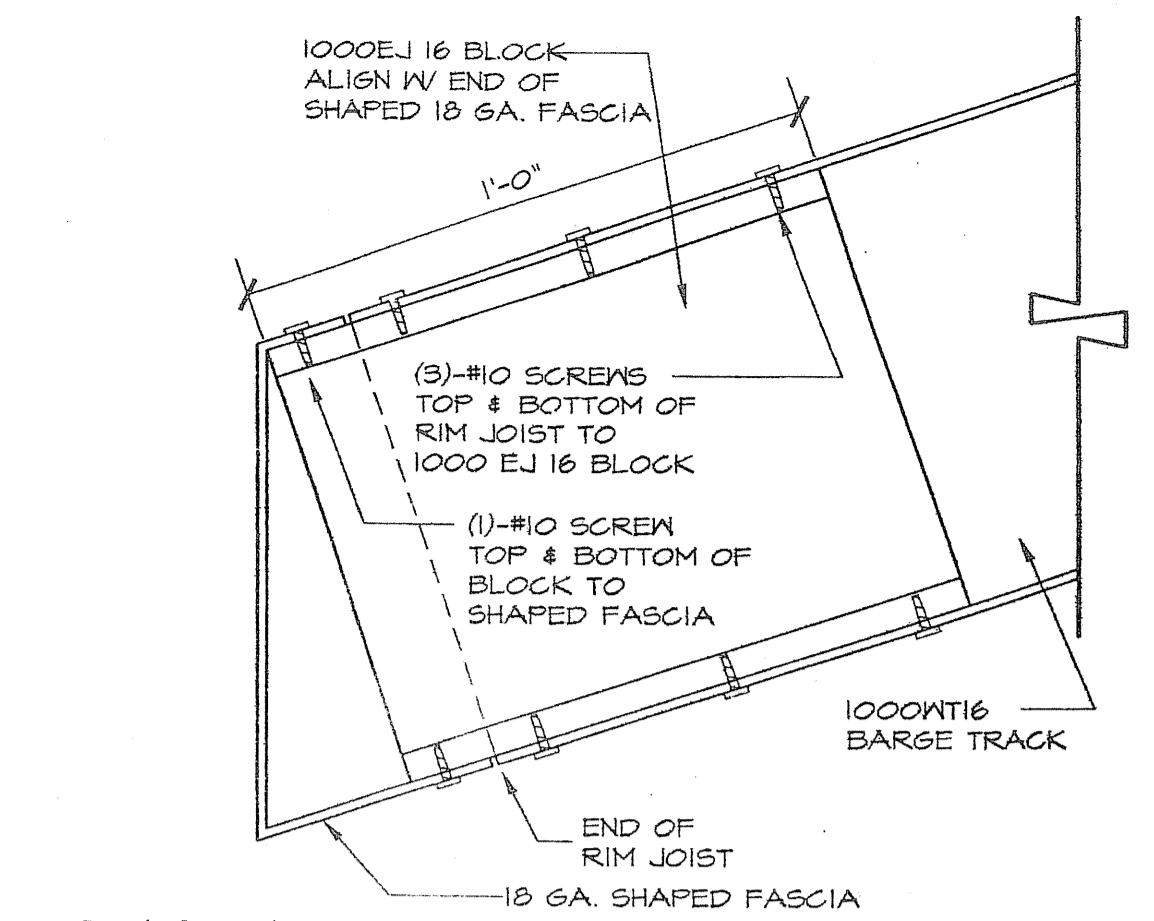
CHORD CONNECTION
SCALE: 1" = 1'-0"



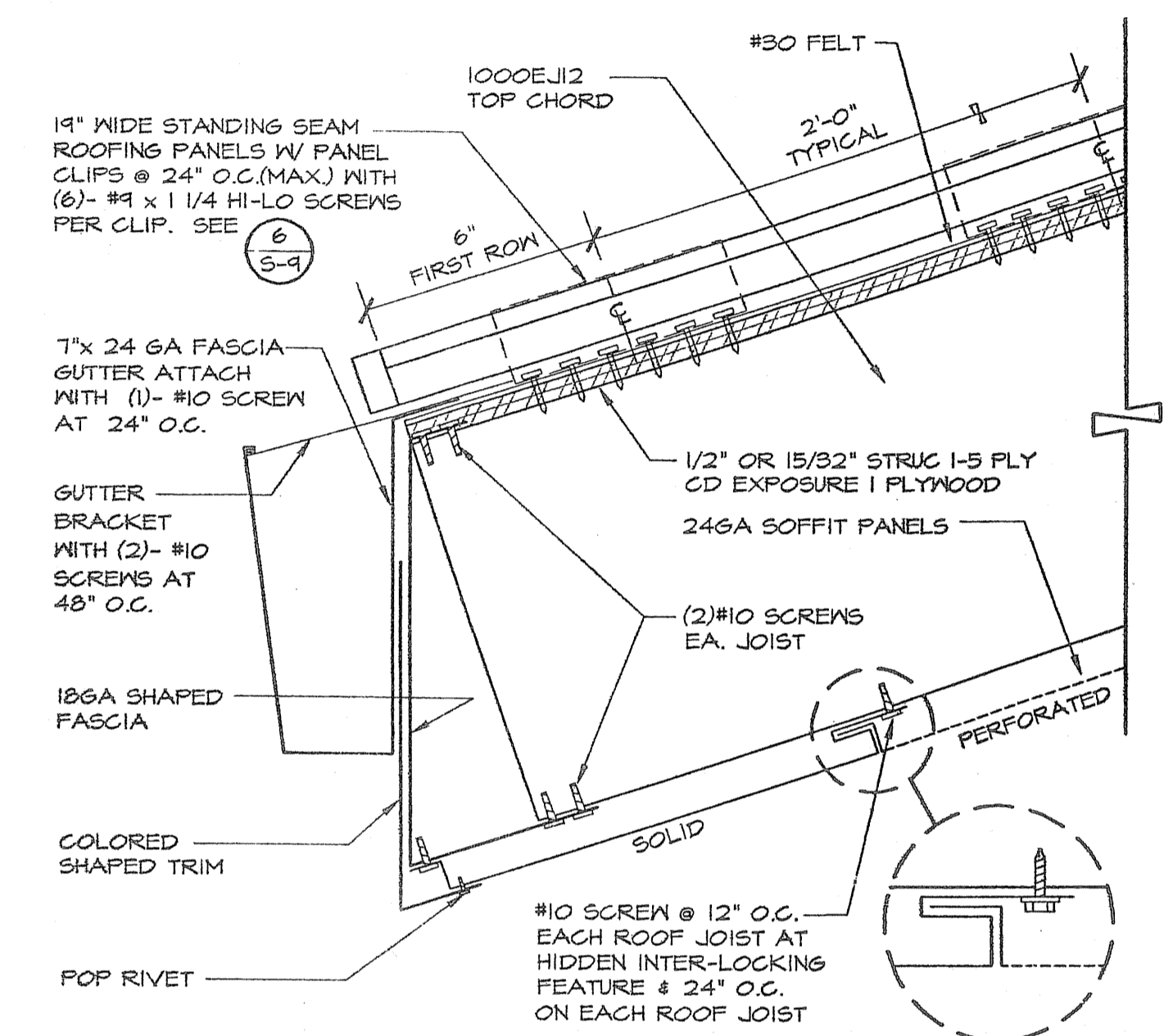
CHORD CROSSING
SCALE: 1" = 1'-0"



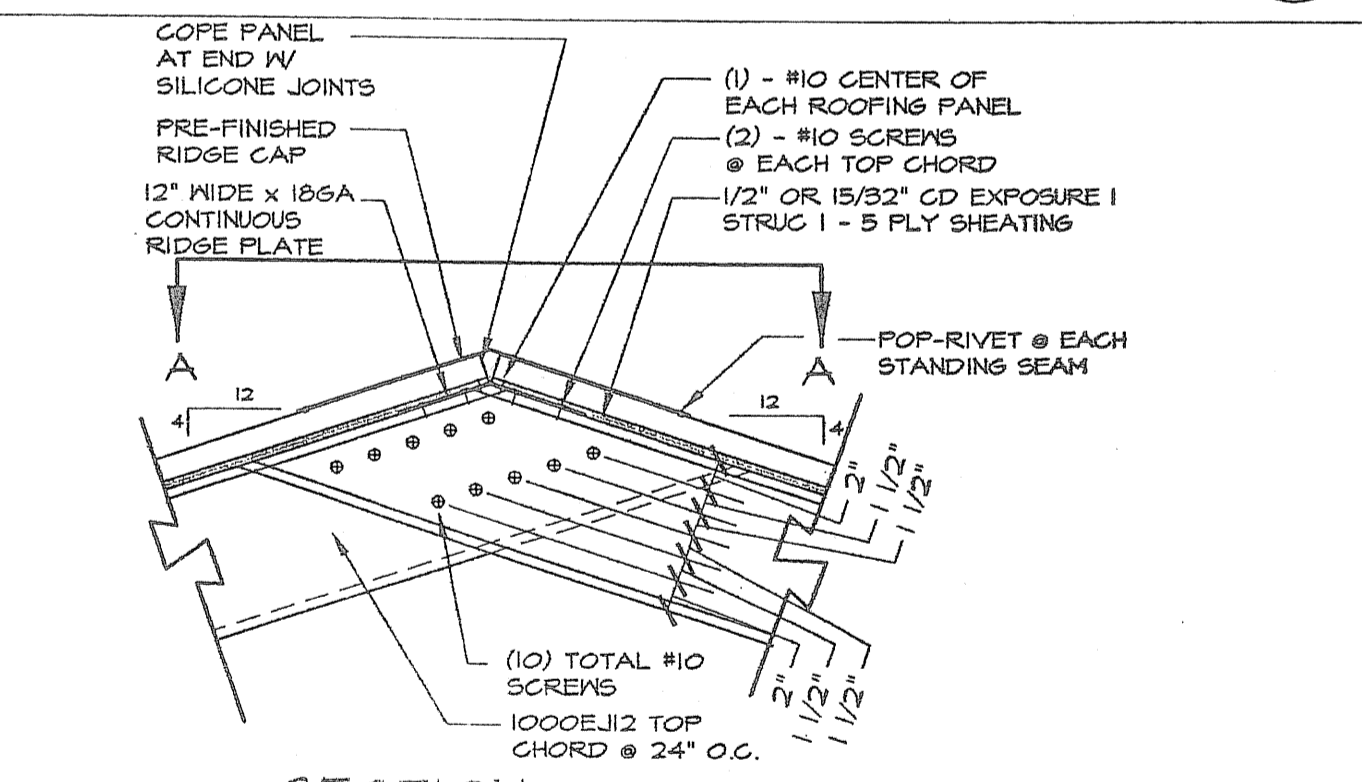
ARCHITECT OF RECORD: SARAMARK C. FINNEY
SITE SPECIFIC APPLICATION NO. 01-108848
IDENTIFICATION STAMP
DIV. OF THE STATE ARCHITECT
OFFICE OF REGULATION SERVICES
AC: FLS: SS: *ib*
DATE: 11/15/02



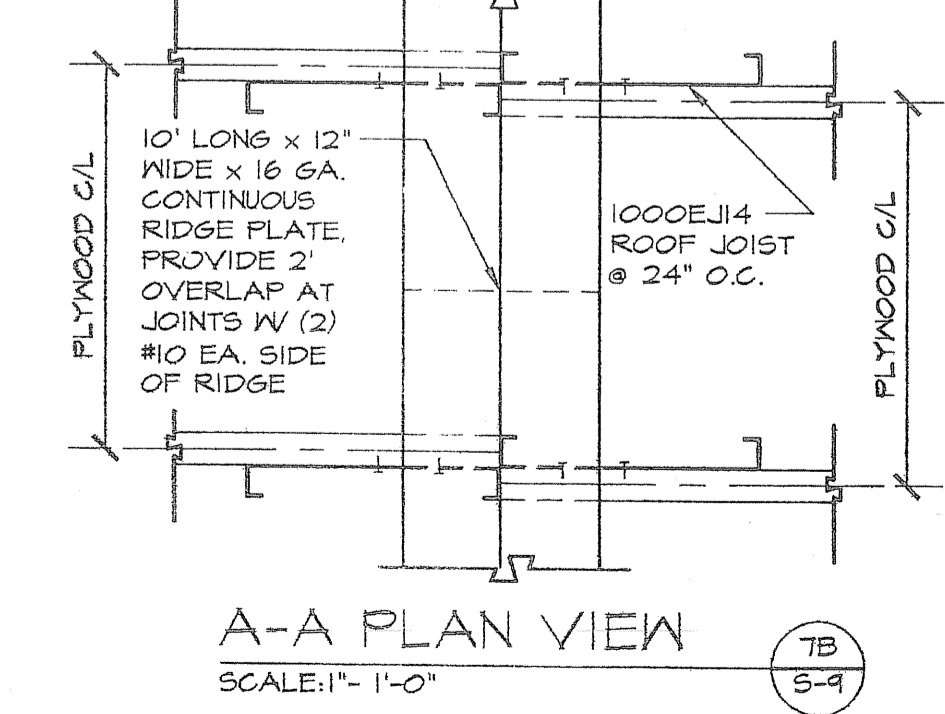
SHAPED FASCIA TO CANTILEVERED TRACK
SCALE: 3" = 1'-0"



ROOF OVERHANG @ SOFFIT
SCALE: 3" = 1'-0"

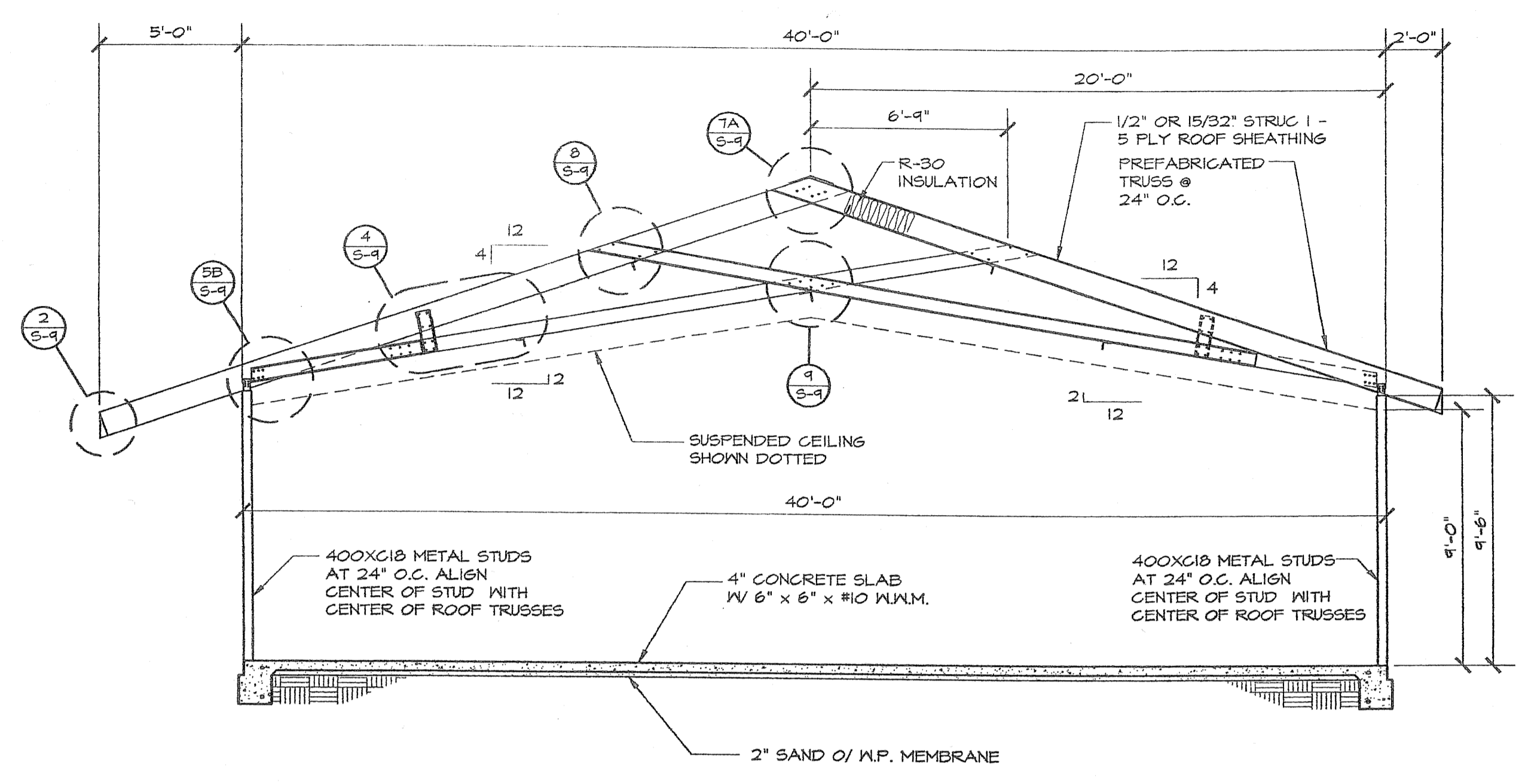


SECTION
SCALE: 1" = 1'-0"

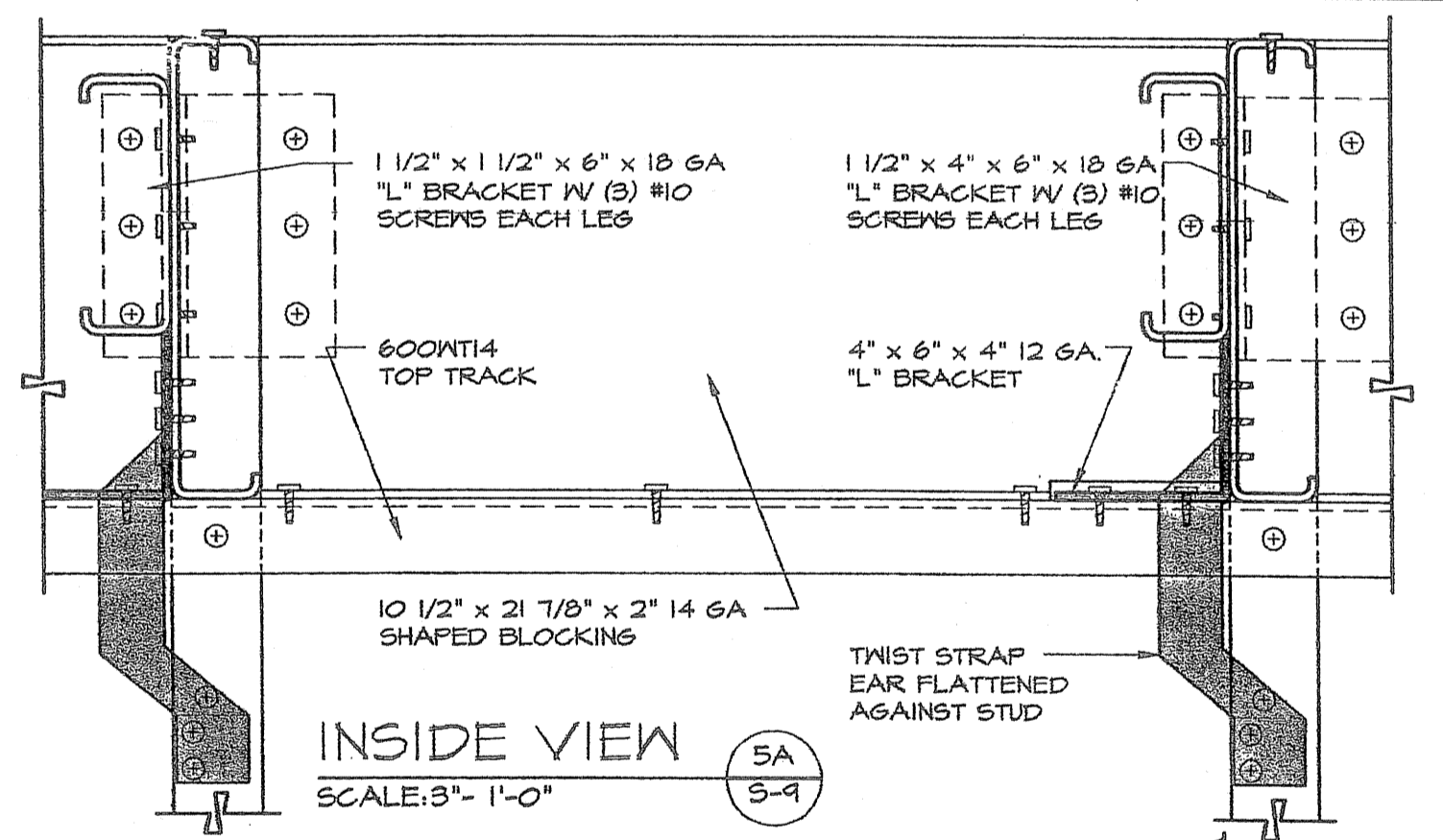


A-A PLAN VIEW
SCALE: 1" = 1'-0"

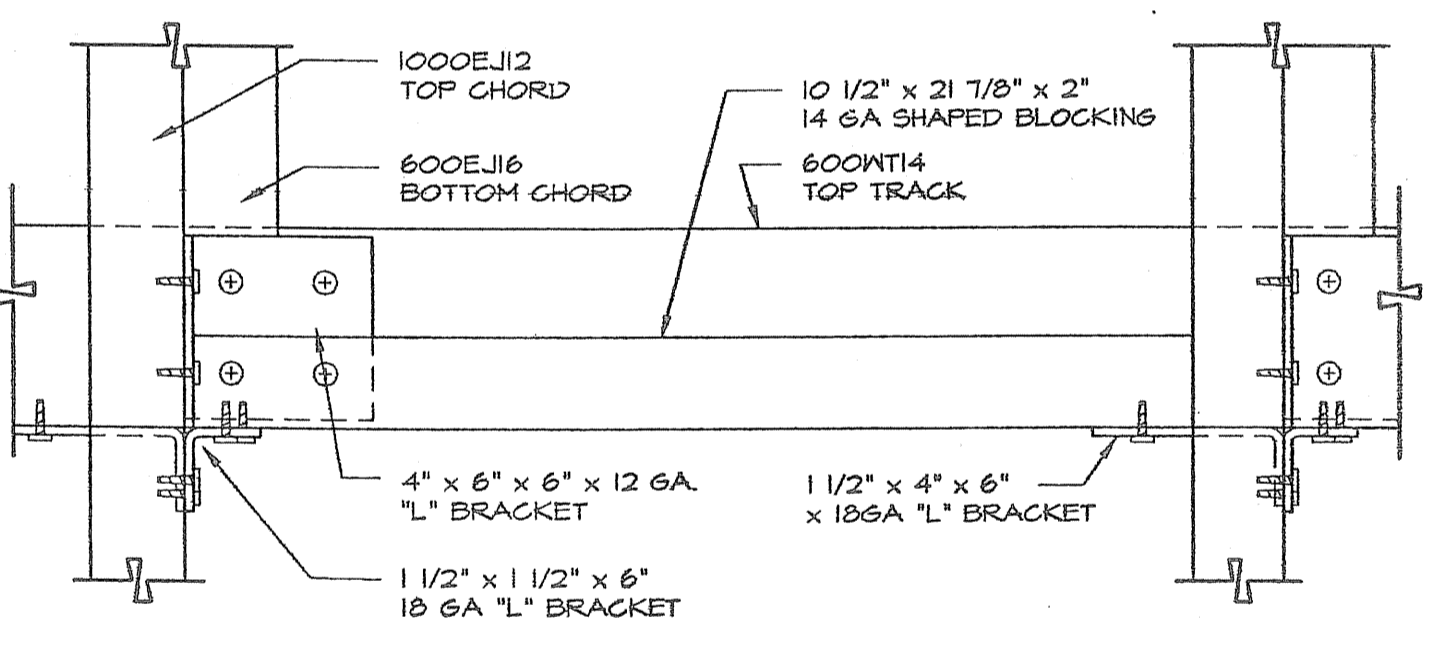
ROOF RIDGE
SCALE: 1" = 1'-0"



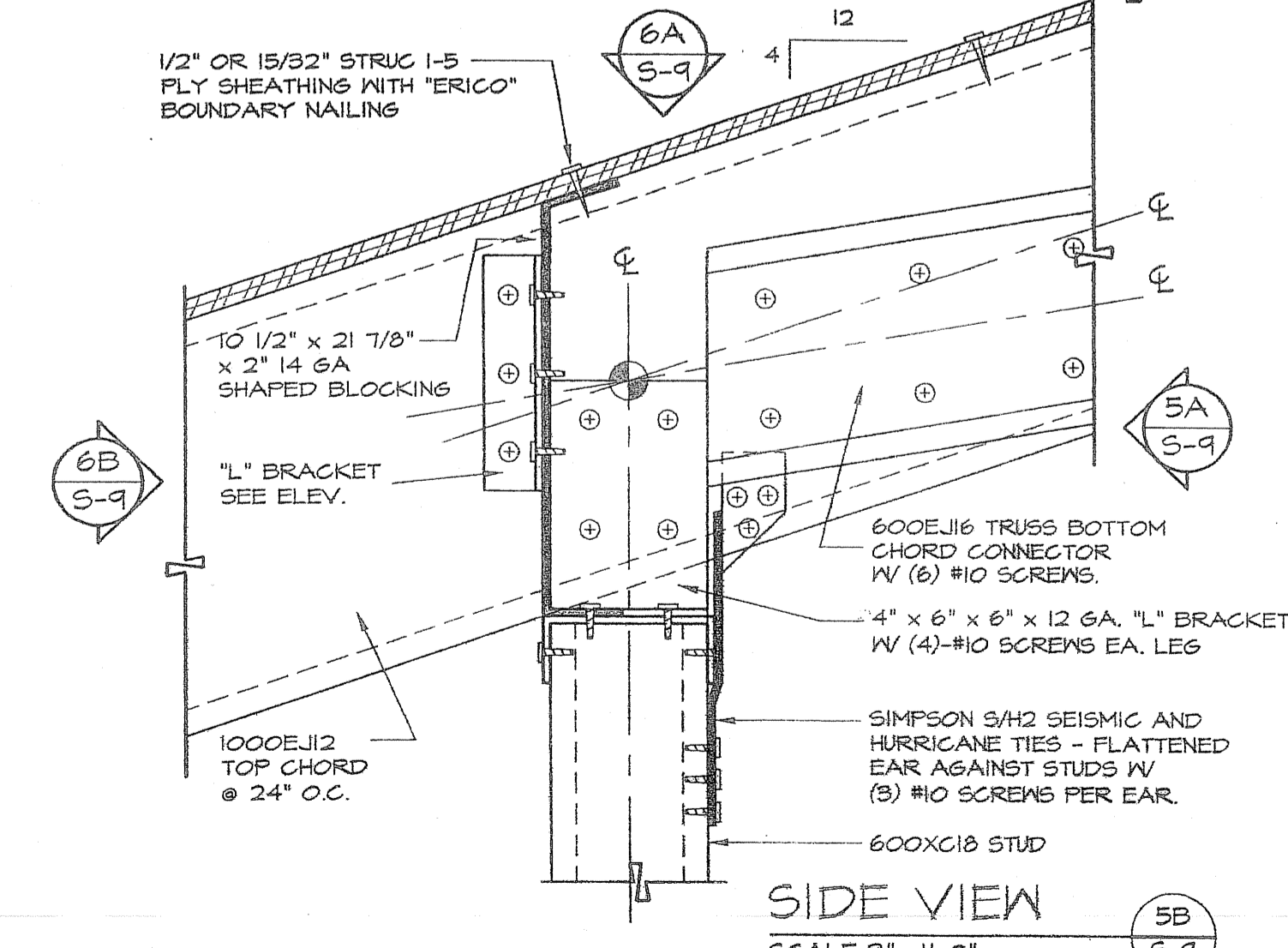
TRUSS PROFILE
SCALE: 1/4" = 1'-0"



INSIDE VIEW
SCALE: 3" = 1'-0"

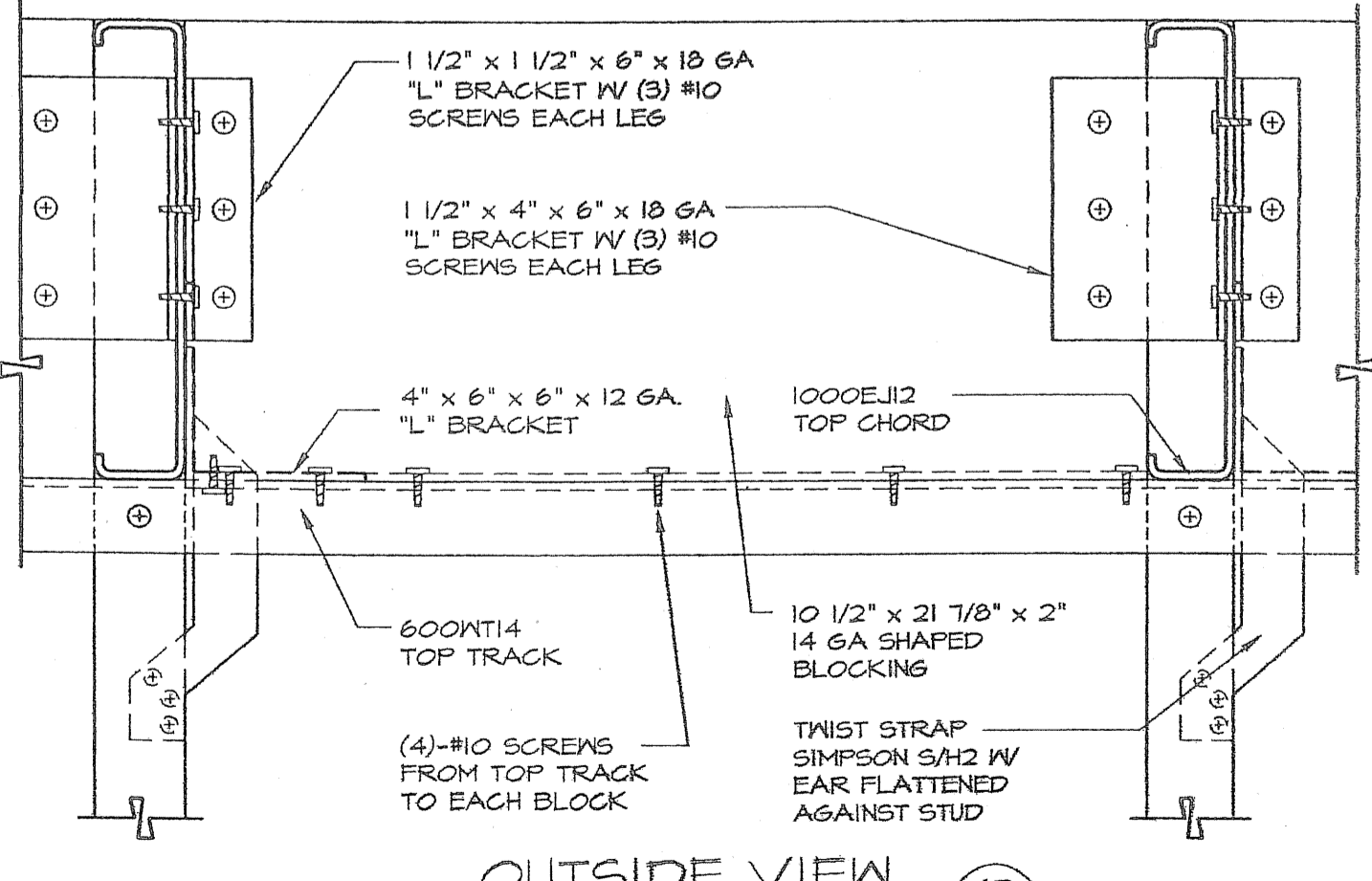


PLAN VIEW
SCALE: 3" = 1'-0"



SIDE VIEW
SCALE: 3" = 1'-0"

ROOF OVERHANG @ SOFFIT
SCALE: 3" = 1'-0"



OUTSIDE VIEW
SCALE: 3" = 1'-0"

TRUSS BOTTOM CONNECTION
SCALE: 3" = 1'-0"