

REVISIONS	
1	
2	
3	
4	
5	
6	

COPYRIGHT © 2003
SARAMARK, INCORPORATED
THESE PLAN DRAWINGS ARE
PROPRIETARY DOCUMENTS
OF SARAMARK, INCORPORATED,
& ARE NOT TO BE DISTRIBUTED,
PUBLISHED OR REPRODUCED
WITHOUT THE WRITTEN
CONSENT OF SARAMARK
INCORPORATED.

**EC
CONSULTING
GROUP**

1280 AVIATION AVE
SUITE 200-F
SAN JOSE, CA 95110
TEL: (408) 294-8510

**COLLEGE
of
SAN MATEO**

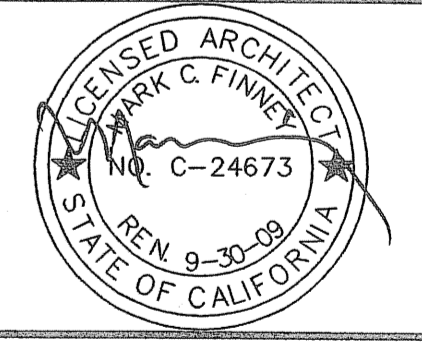
**SAN MATEO
UNIFIED SCHOOL
DISTRICT**

**SARAMARK
INCORPORATED**
SERIES

NEW

P.O. BOX 24366
SAN JOSE, CALIFORNIA 95194
TEL: (408) 971-3531
FAX: (408) 971-3534

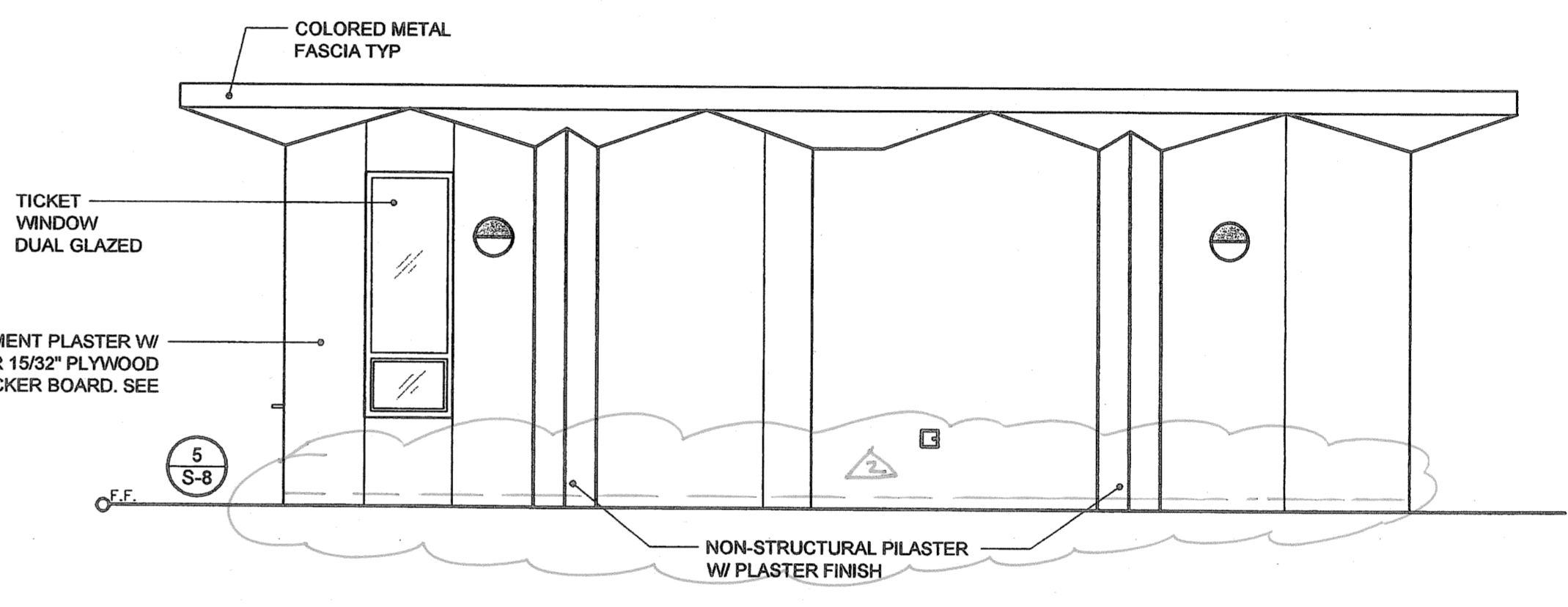
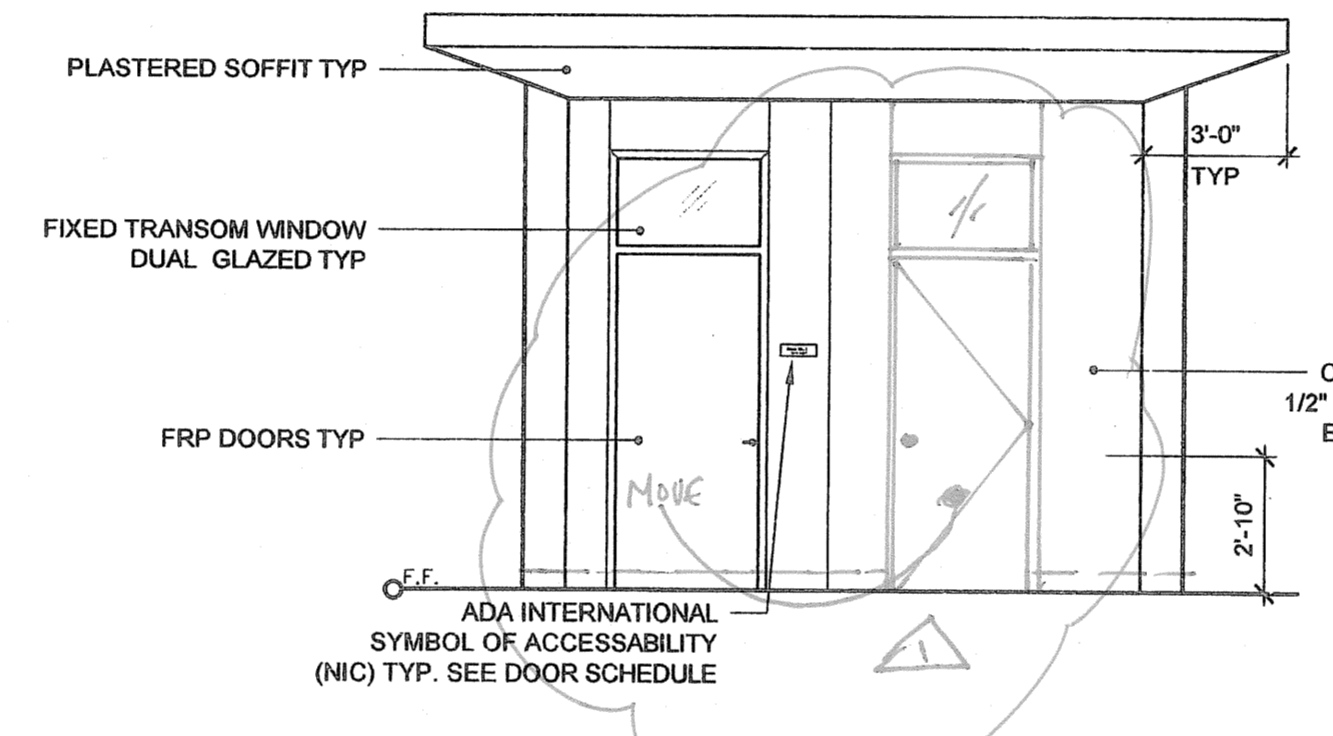
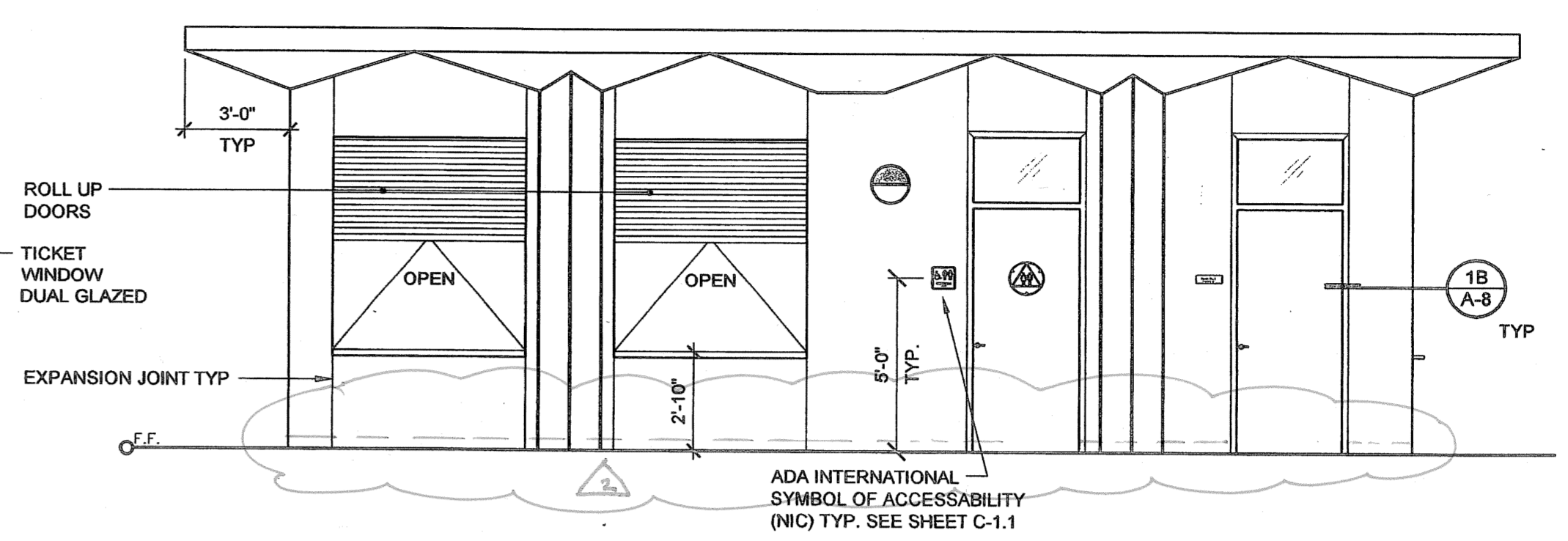
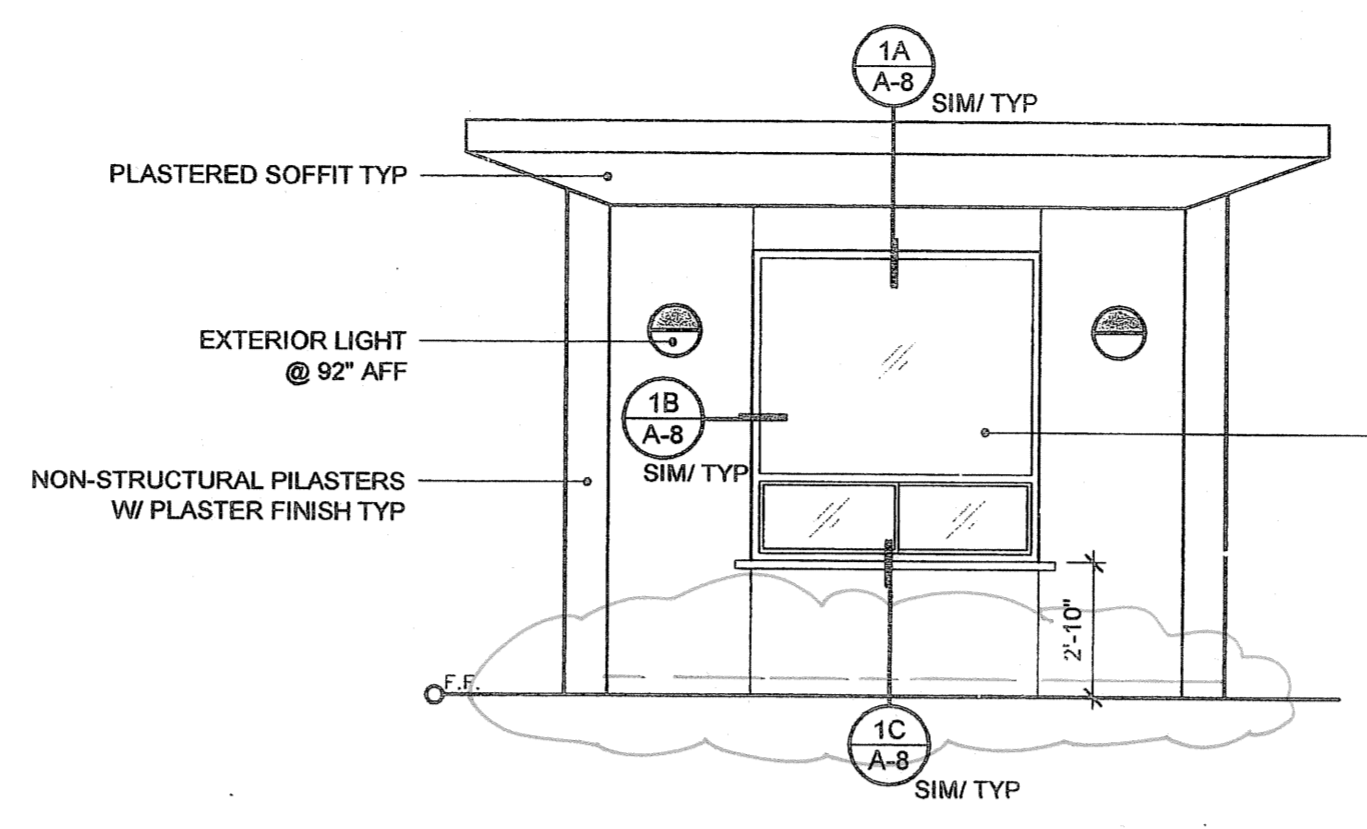
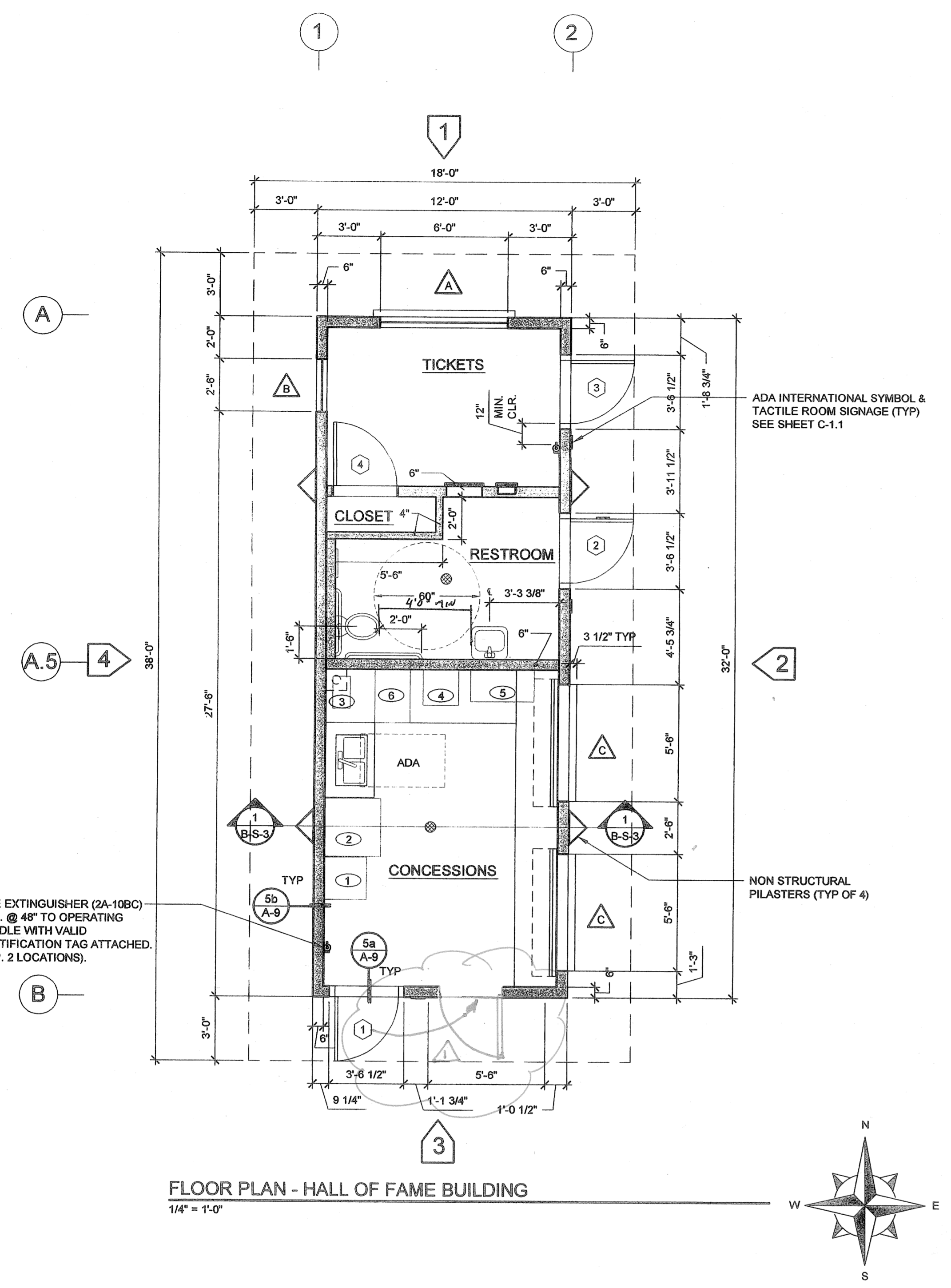
**BUILDING B
HALL OF FAME
FLOOR PLAN AND
EXT. ELEVATIONS**



IDENTIFICATION STAMP
DIV. OF THE STATE ARCHITECT
OFFICE OF REGULATION SERVICES
01-108848
AC. PL. FL. SS. [Signature]
DATE: OCT 10 2007

DRAWN: ED
DATE: 4.11.07
CHECKED: FAV
SCALE: AS NOTED
PROJECT: 1615

B-A-1



- 1 REFRIDGERATOR (NIC)
- 2 ICE MACHINE (NIC)
- 3 COFFEE MAKER (NIC)
- 4 POPCORN MACHINE (NIC)
- 5 HOTDOG MACHINE (NIC)
- 6 FOUNTAIN DRINK MACHINE (NIC)

SHEET NOTES:

- STUCCO FINISH SHALL BE maxit 690. maxit 690 IS A PRE-BLENDED CEMENT-BASED PLASTER MIX.
THE COMPONENTS ARE:
TYPE I-II PORTLAND CEMENT 1 PART ASTM C-150
TYPE S HYDRATED LIME UP TO 20% ASTM C-206
SAND 4 PARTS ASTM C-897
maxit 690'S COMPONENT PROPORTIONS ARE IN ACCORDANCE WITH ASTM C926-98a. maxit 690 SIMULTANEOUSLY PLACES THE SCRATCH AND BROWN COATS PER 2000 UBC SECTION 2508 TABLE 25-F AND 2508.6 OF PORTLAND CEMENT-LIME PLASTER.
- THE maxit 690 PRE-BLENDED CEMENT PLASTER IS APPLIED OVER PAPER AND METAL LATH. FASTEN METAL LATH TO STUDS WITH #8 x 1 1/4" LONG WAFER HEAD SCREWS SPACED AT 9" O.C. AT PERIMETER VERTICAL & 3" O.C. AT PERIMETER HORIZONTAL AND 12" O.C. AT EACH VERTICAL STUD IN FIELD. SEE DETAIL (S-8).
- FASTEN STUCCO MESH TO PLYWOOD WITH 1 1/2" FURRING NAILS SPACED AT 8" O.C. IN BOTH DIRECTIONS IN FIELD. SEE DETAIL (S-8).
- EXTERIOR STUCCO MESH SHALL BE 17GA x 1 1/4" GALVANIZED SELF FURRING NETTING WITH DOUBLE BLACK KRAFT PAPER PER FS-UU-B-790, TYPE I, GRADE D, STYLE 2, AND U.B.C. STANDARD 14-1.
- INSTALL WESTERN #14 GALVANIZED METAL CORNER BEAD AT ALL OUTSIDE CORNERS.
- INSTALL WESTERN #15 GALVANIZED M-SHAPED METAL CONTROL JOINTS, AS SHOWN ON EXTERIOR ELEVATIONS.
- INSTALL WESTERN #66 METAL CASING BEADS AROUND DOORS.
- INSTALL WESTERN #7 FOUNDATION SILL SCREED AT BOTTOM OF CEMENT PLASTER.
NOTE: SEE SHEETS A-00 & SS-1 FOR ALTERNATE UPGRADED STUCCO LATH NOTES & DETAILS.
- EXTERIOR OPENING SIZES MAY VARY IN HEIGHT AND WIDTH, WITH A MAXIMUM HEIGHT OF 8'0" AND A MAXIMUM ALLOWABLE WIDTH, PER DETAIL ADD ALTERNATE HEADER DESIGN. SEE (S-10) & (S-10).
- (NOT USED)
- SEE SPECIFICATIONS A-00
- SPECIAL LITE SL-17 FRP DOOR (STORE FRONT) SPECIAL LITE ALUMINUM TUBE FRAME 2"x8" IN TUBE FRAME. SL-11 CONTINUOUS HINGE INTERIOR DOORS. HOLLOW METAL DOOR WITH LCN OF NORTON CLOSURES AND DOOR STOPS WITH ALUM FINISH
- FOR ALL SIGNAGE SEE SHEET C-1.1
- REFERENCE SHEET A-00 NOTES TO BUILDING B.

1 RELOCATE DOOR. SEE NEW FLOOR PLAN ON F.O.#5-#7 DETAILS, AT END OF THIS SET.
2 WEEP 2" ABOVE FINISH FLOOR.

DOOR SCHEDULE
BUILDING 'B'

NUMBER	JAMB DEPTH	DOOR TYPE	SIZE	SWING	COMMENTS
1	9"	FRP/TR*	3070 x 1 3/4"	L/HR	SCHLAGE ND-70 NL
2	9"	FRP/TR*	3070 x 1 3/4"	R/HR	SCHLAGE ND-85
3	9"	FRP/TR*	3070 x 1 3/4"	R/HR	SCHLAGE ND-70 NL
4	7 1/2"	F ₁	3068 x 1 3/4"	LH	SCHLAGE ND-70

ALL EXTERIOR DOORS = F.R.P.
ALL INTERIOR DOORS = SOLID CORE P-LAM

SEE SHEET C-1.1 FOR ALL SIGNAGE.

ROOM FINISH SCHEDULE

ROOM	FLOOR FINISH	WALL FINISH	CEILING TYPE
TICKET ROOM	SEALED CONCRETE	5/8" SHEETROCK SMOOTH	FLAT T-BAR @ 8'-10"
RESTROOM	SHEET VINYL W/ CONT 6" COVE	5/8" SHEETROCK SMOOTH	FLAT T-BAR @ 8'-10"
CONCESSIONS	SHEET VINYL W/ CONT 6" COVE	5/8" SHEETROCK SMOOTH	FLAT T-BAR @ 8'-10"

WINDOW SCHEDULE

NO.	SIZE	STYLE	FRAME FINISH	COMMENTS	ROUGH OPENING
A	6'0"x6'	TICKET WINDOW	DISTRICT TO VERIFY	DUAL GLAZED	72"x80"
B	2'6"x7'0"	TICKET WINDOW	DISTRICT TO VERIFY	DUAL GLAZED	30"x86"
C	5'6"x6'0"	ROLL UP DOOR ATLAS ROLL-LITE OR EQUAL	DISTRICT TO VERIFY		66"x74"