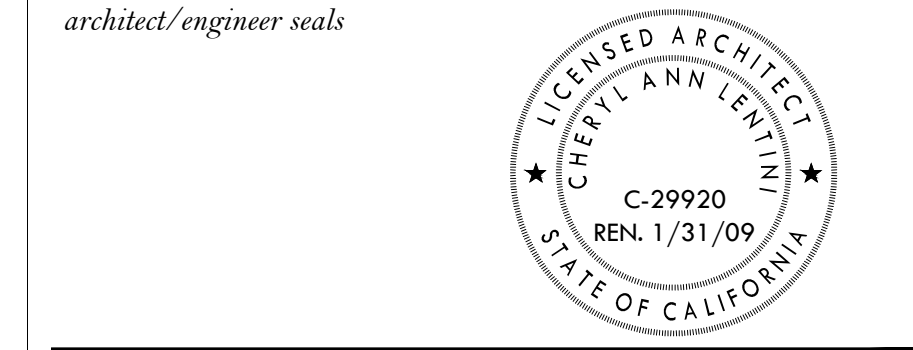




222 SUTTER STREET, 9TH FLOOR
 SAN FRANCISCO, CALIFORNIA 94108
 phone 415.777.9422 fax 415.777.2755 24/7 bparch.com



project title
SMCCCD
COLLEGE OF SAN MATEO
FINE ARTS COMPLEX
BUILDINGS 2 & 4
RENOVATIONS
INCREMENT 2
 344 CSM DRIVE
 SAN MATEO, CA 94402

agency/approvals

IDENTIFICATION STAMP	
DIVISION OF THE STATE ARCHITECT	
APPL. No. 01 - 109243	
AC DATE	FLS SS

date description

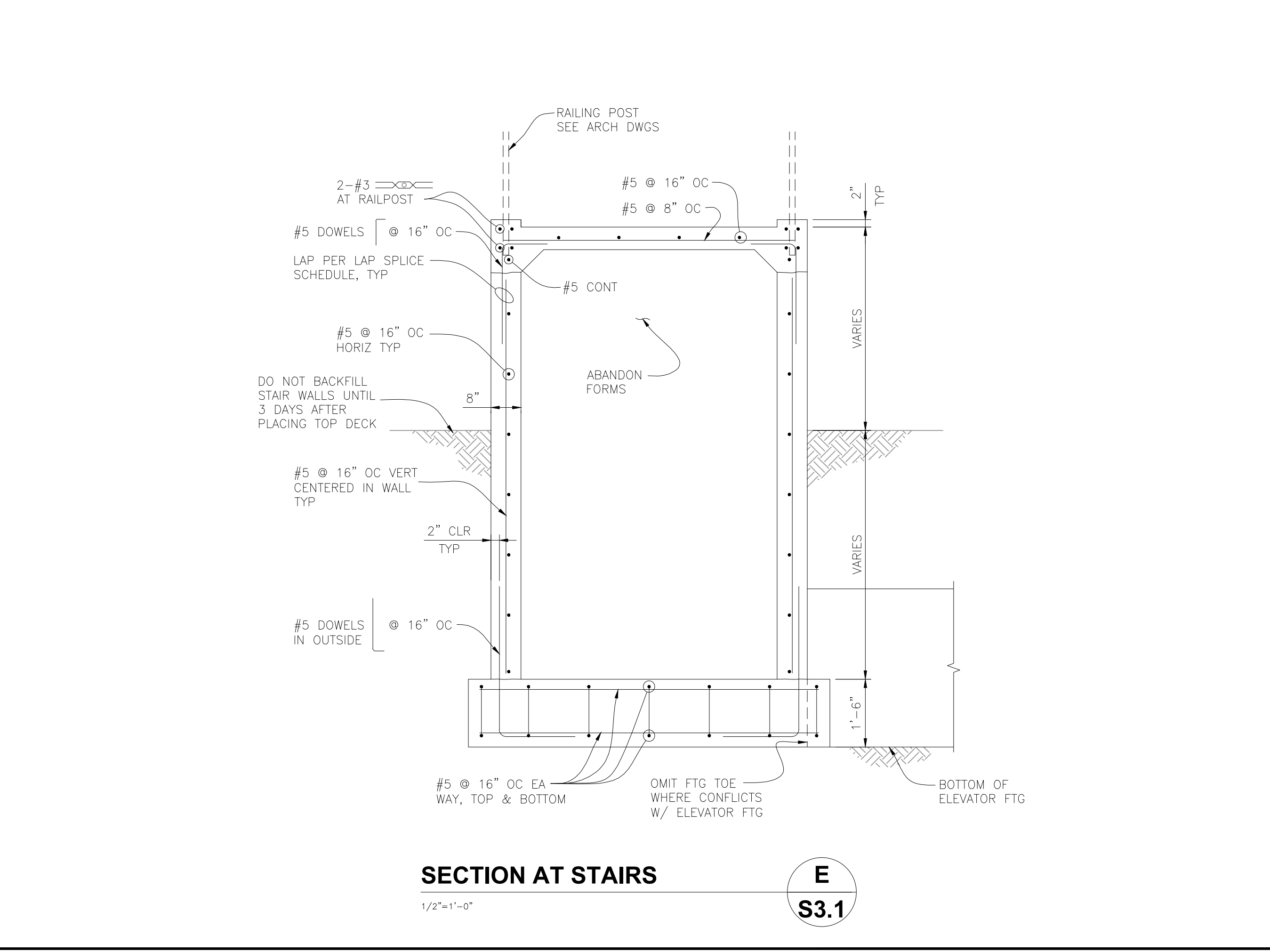
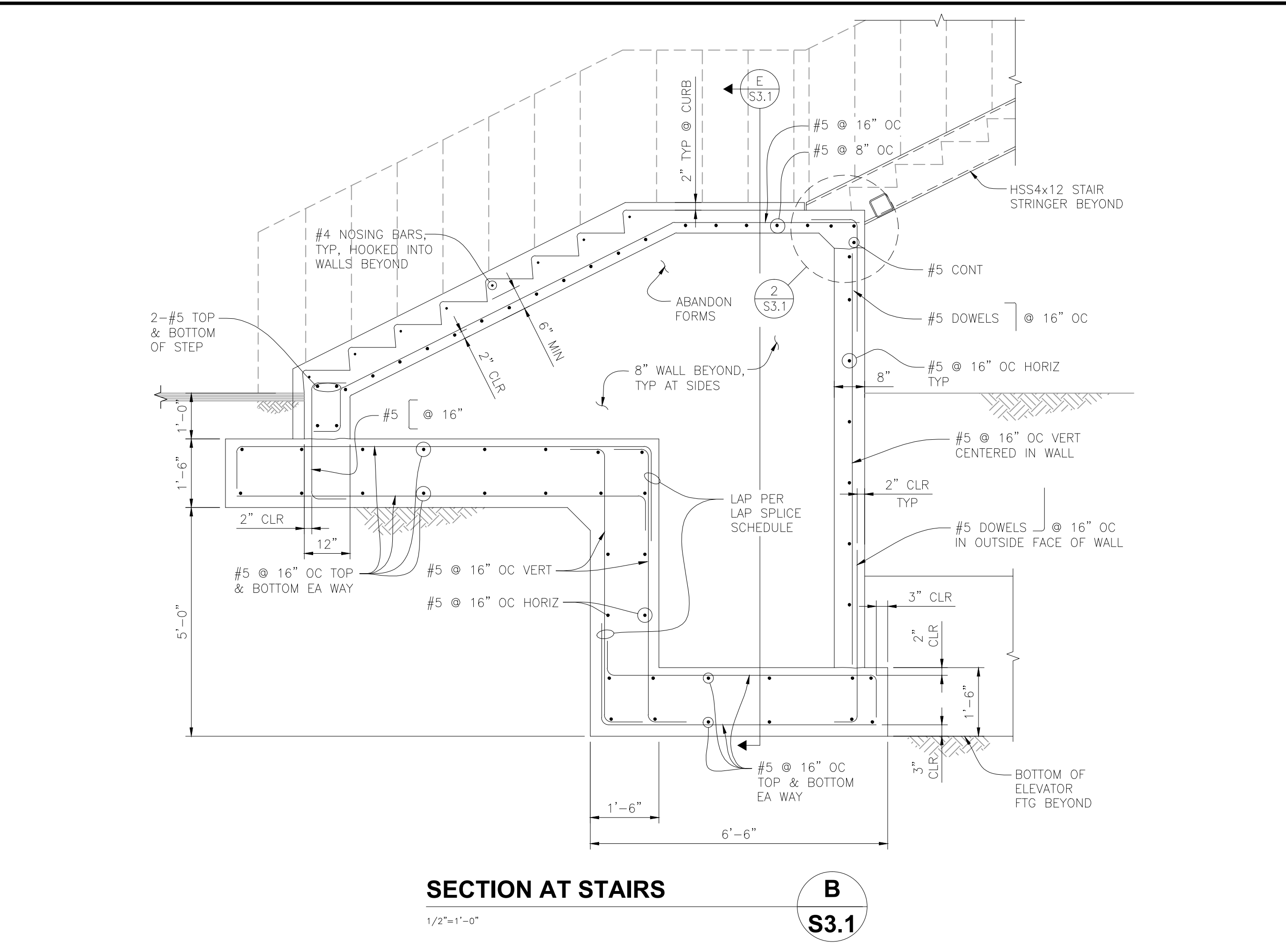
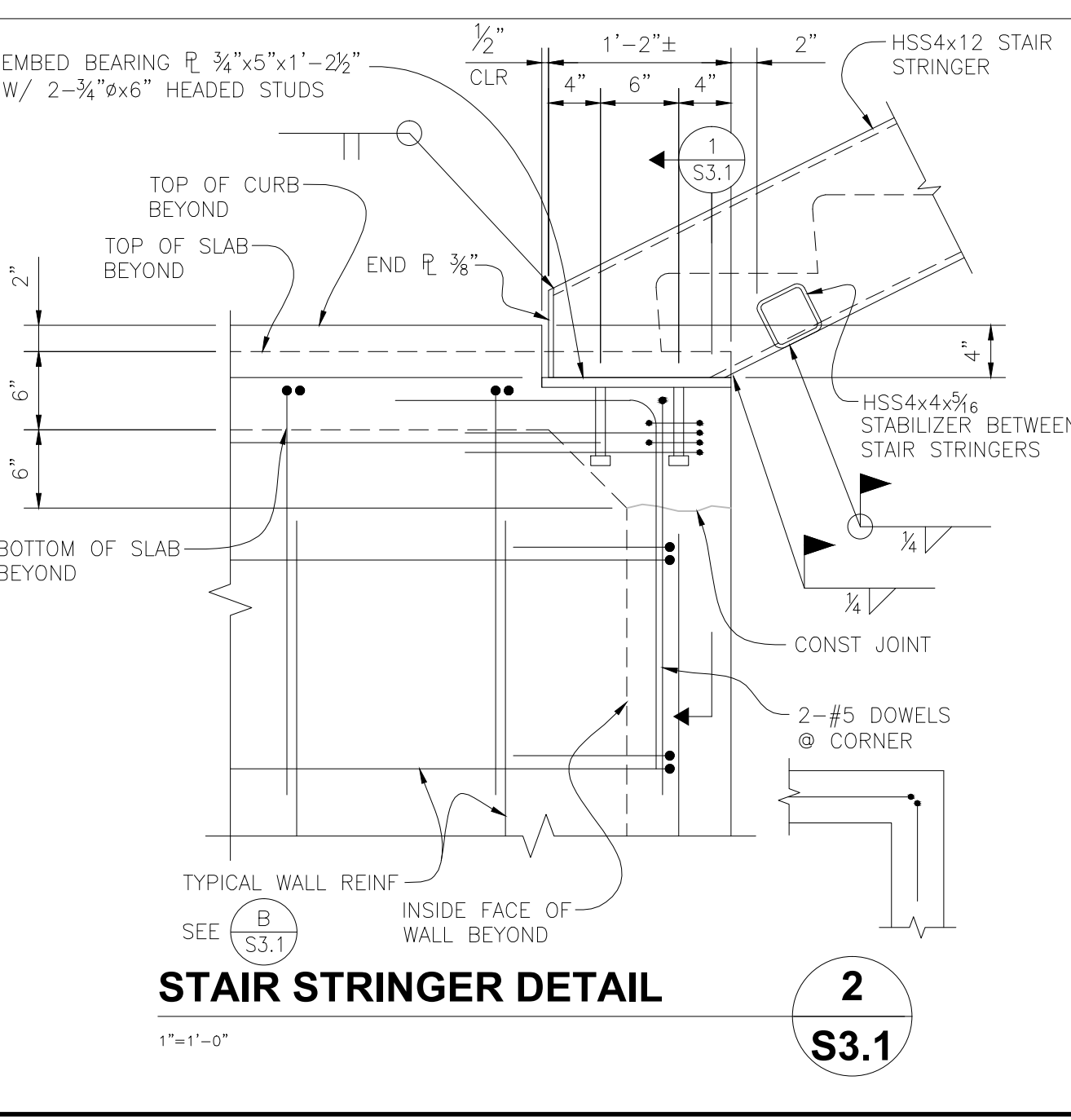
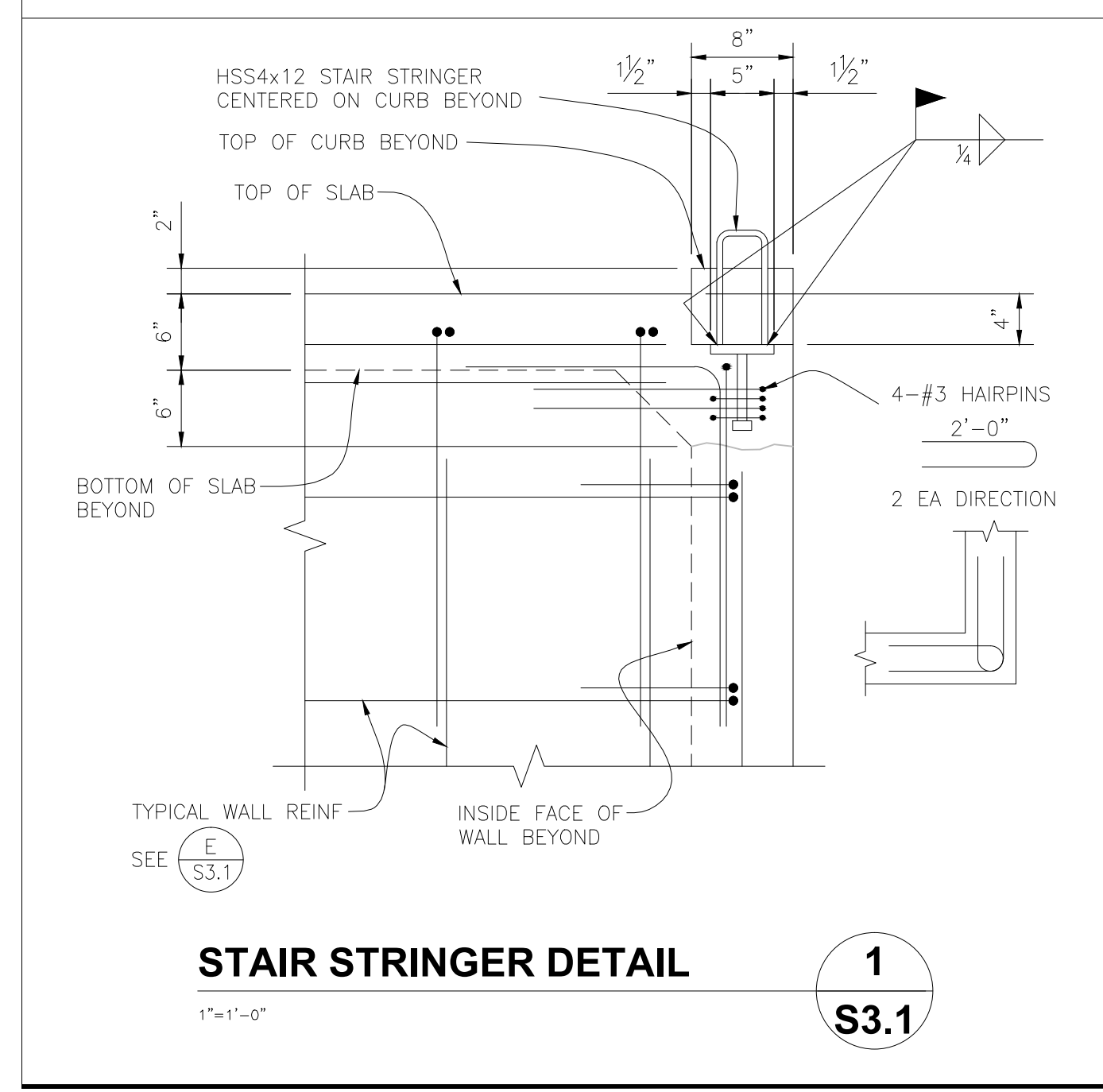
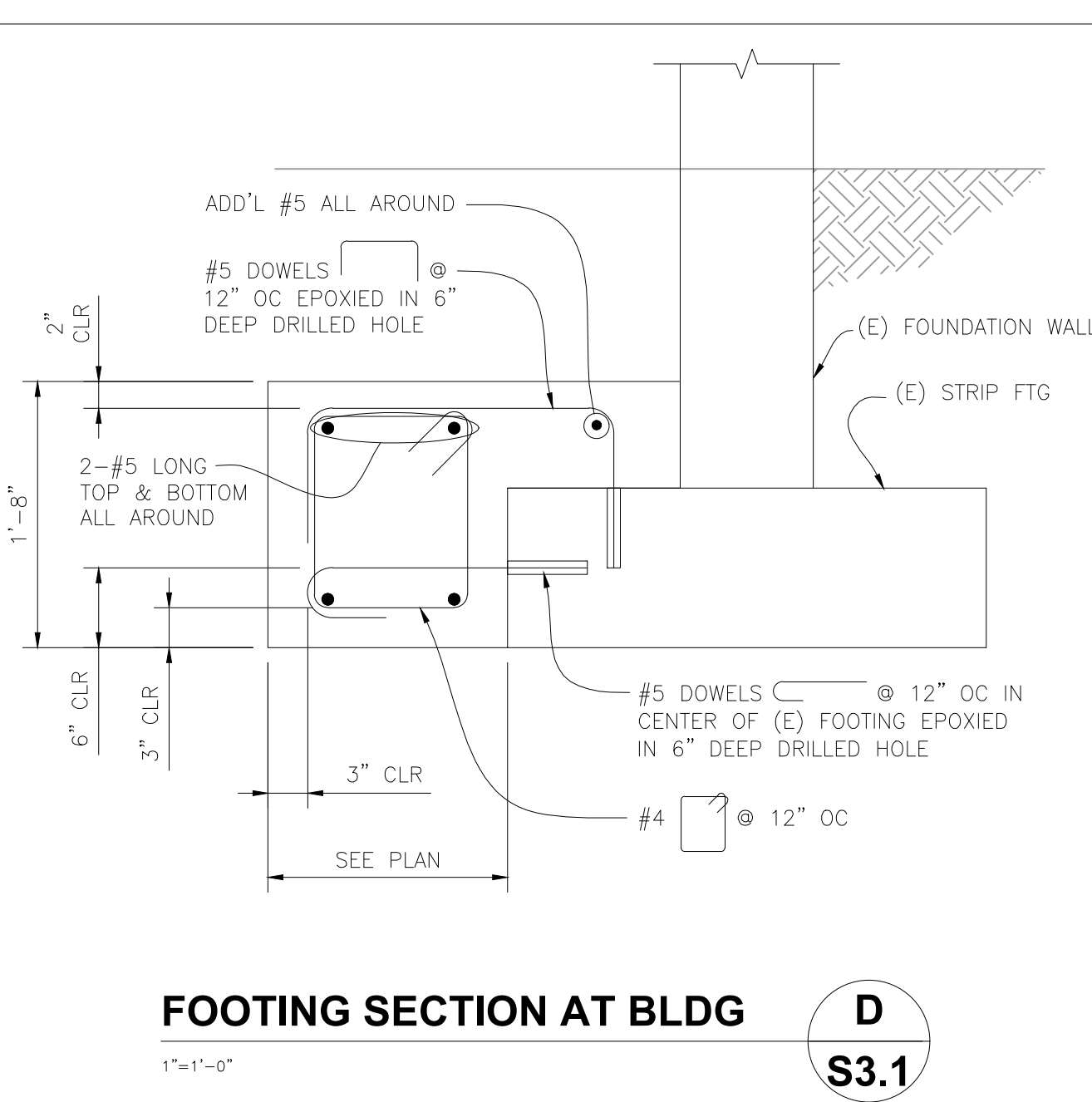
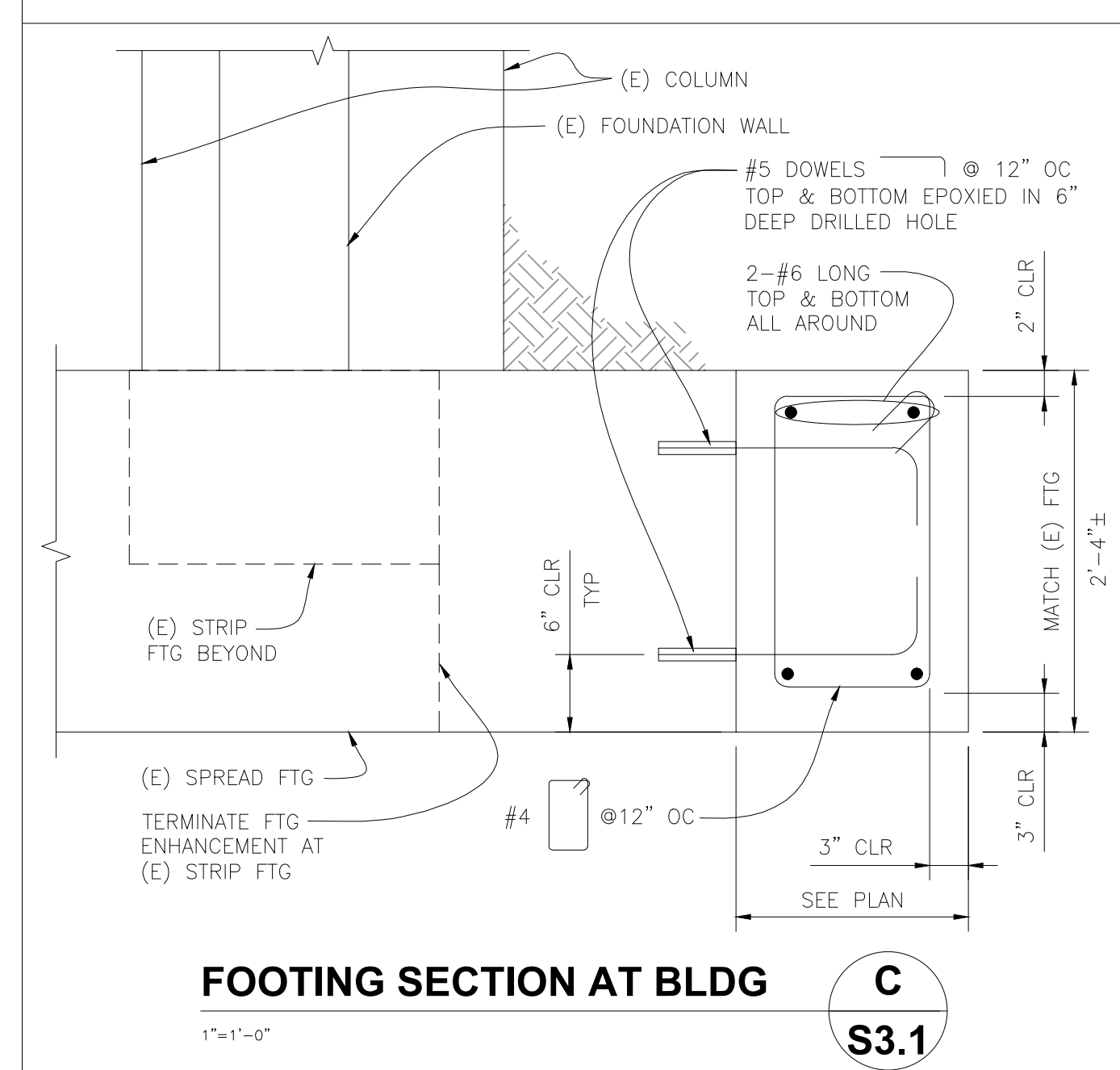
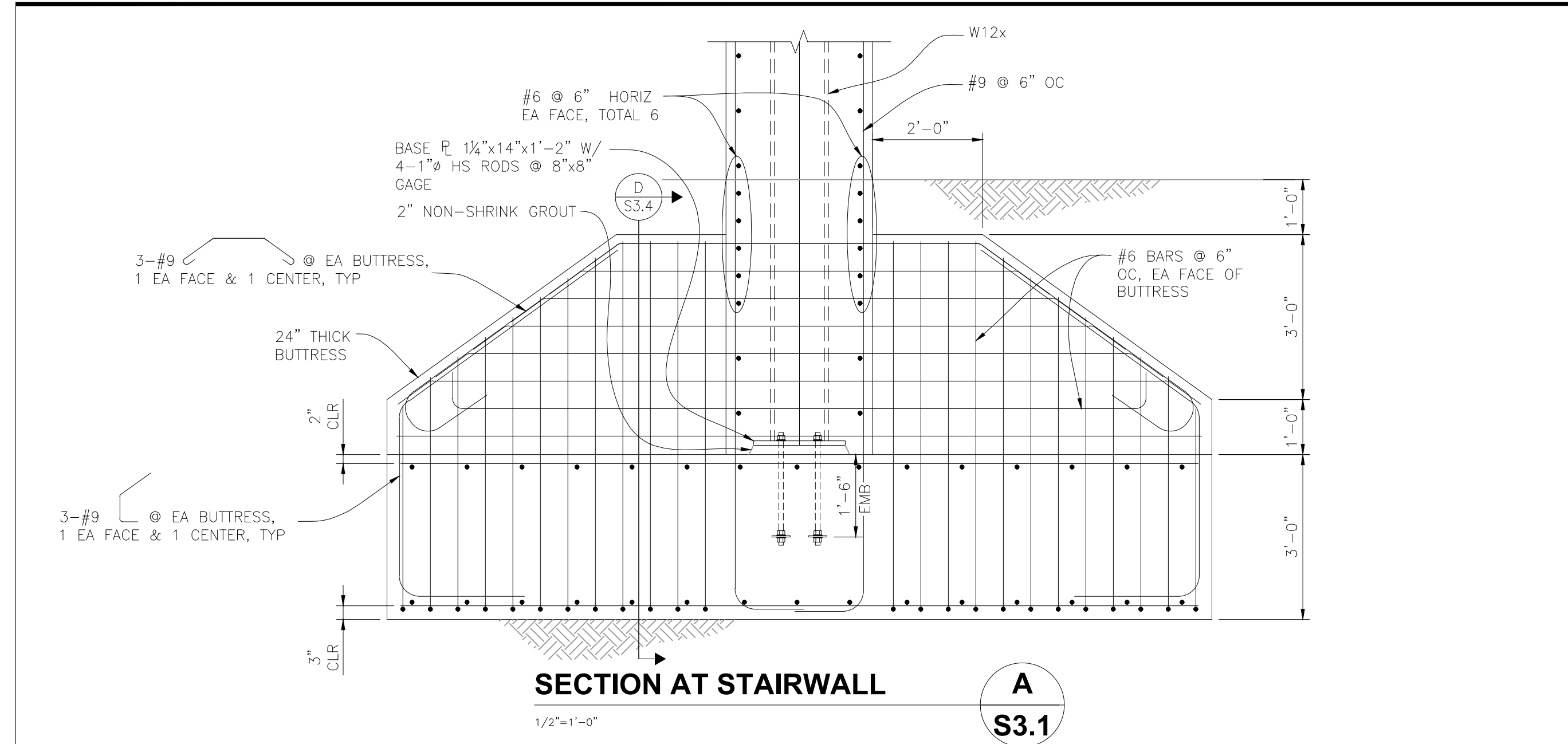
03.13.2008	PRICING SET
05.08.2008	INCREMENT 2 DSA SUBMITTAL
10.14.2008	DSA RESPONSE
11.04.2010	RECORD DRAWINGS

sheet title
DETAILS No.2

project no. 2707.01

sheet no. **S3.1**

© Beverly Prior Architects, Inc. 2007 | All Rights Reserved



C:\Users\bprior\pvt\pwork\2707_1108_BPA_Arch\Bldg CAD\CSM_Bldg4_mtr_02 - STRUC\CSM_Bldg4_mtr_02 - 2707_01.dwg 11/04/2010 11:04 AM