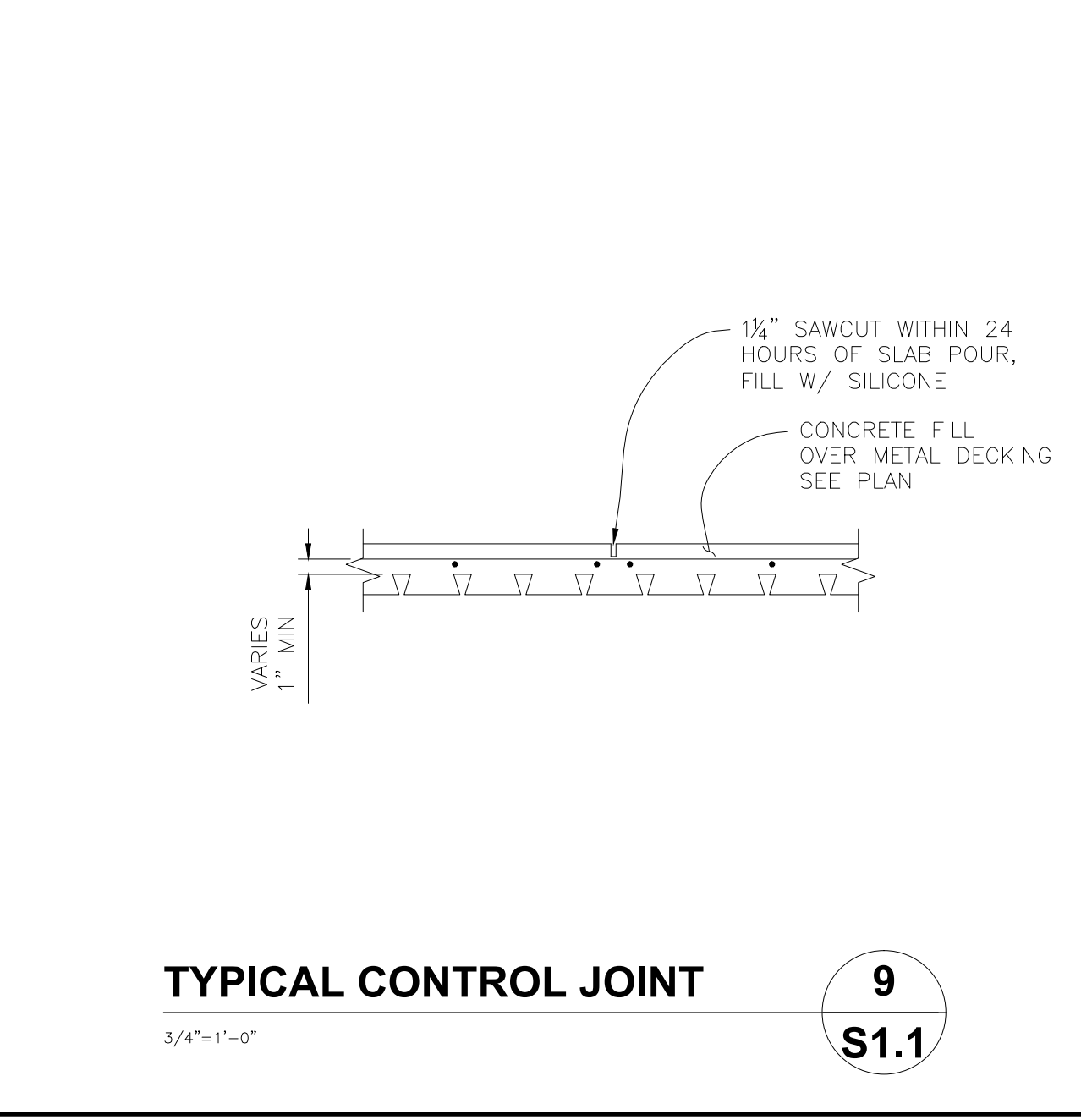
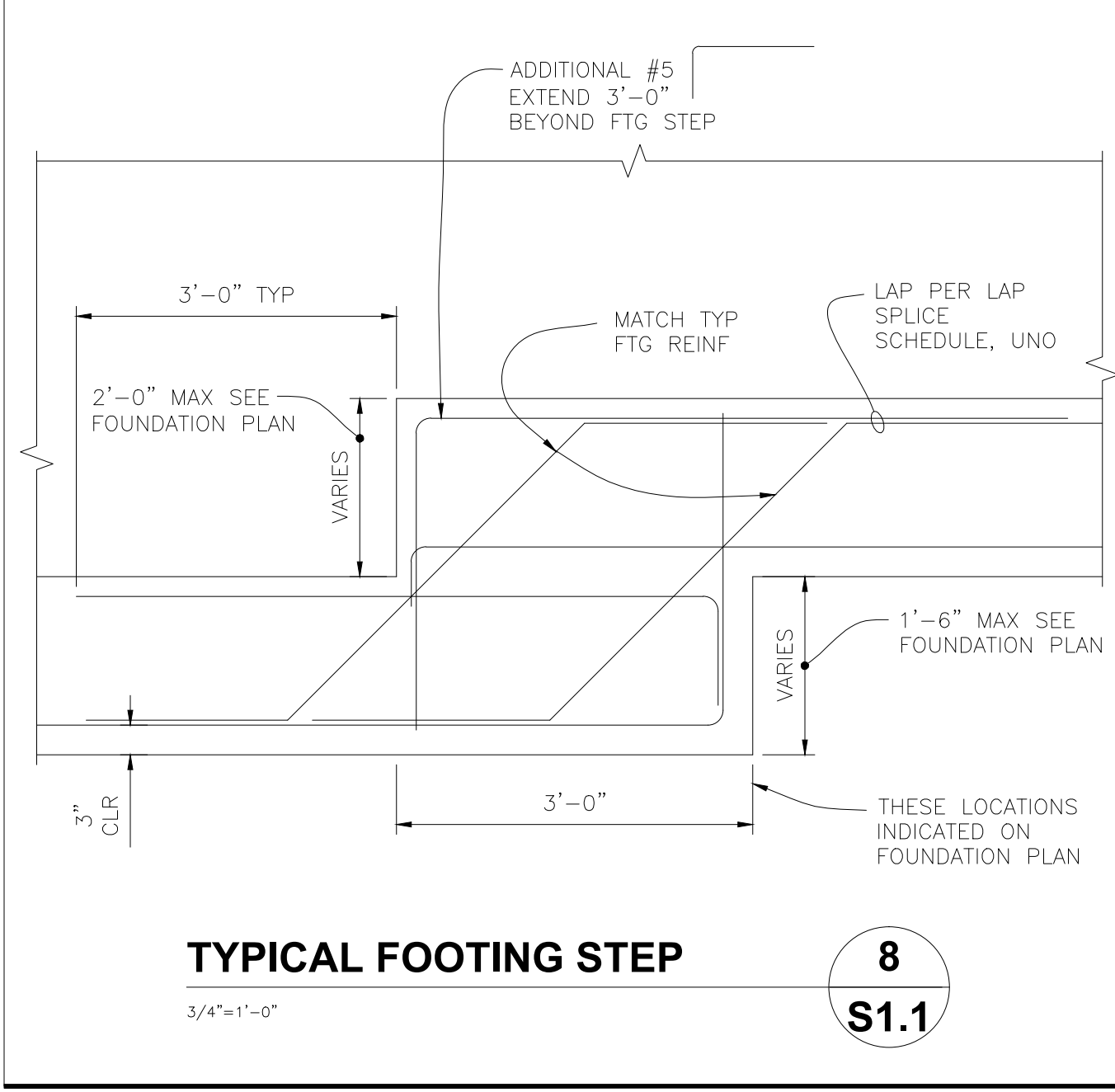
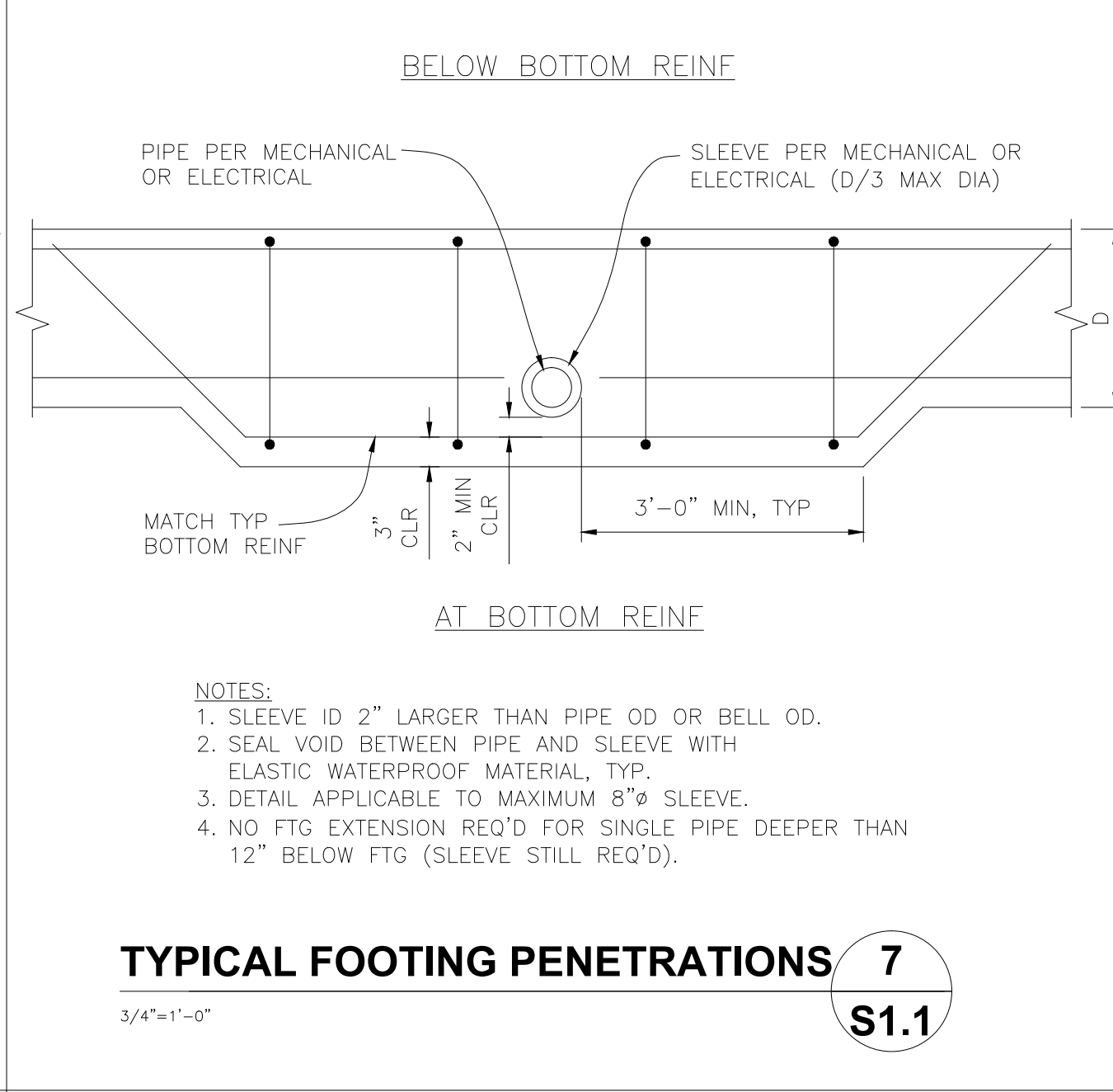
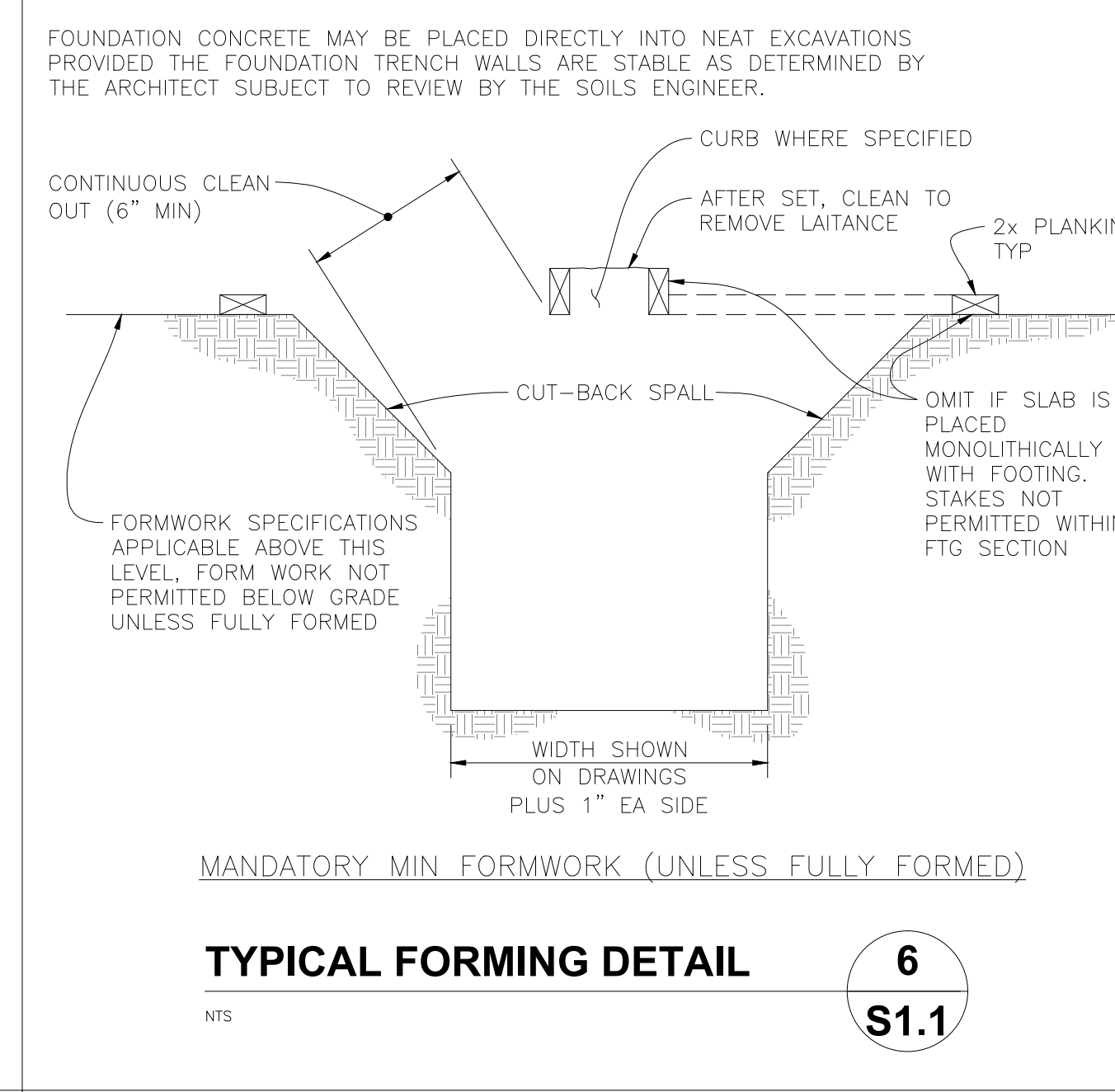
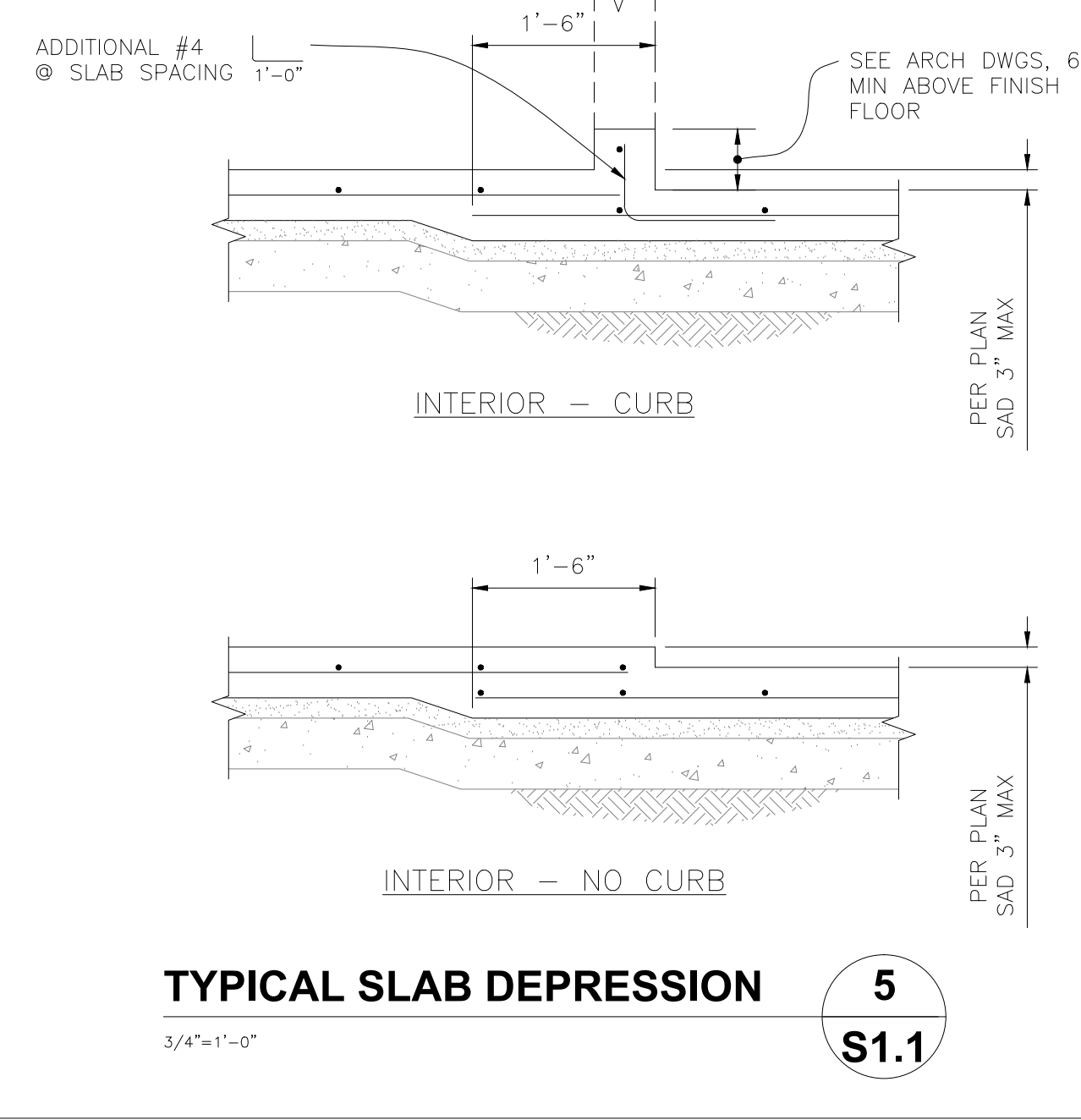
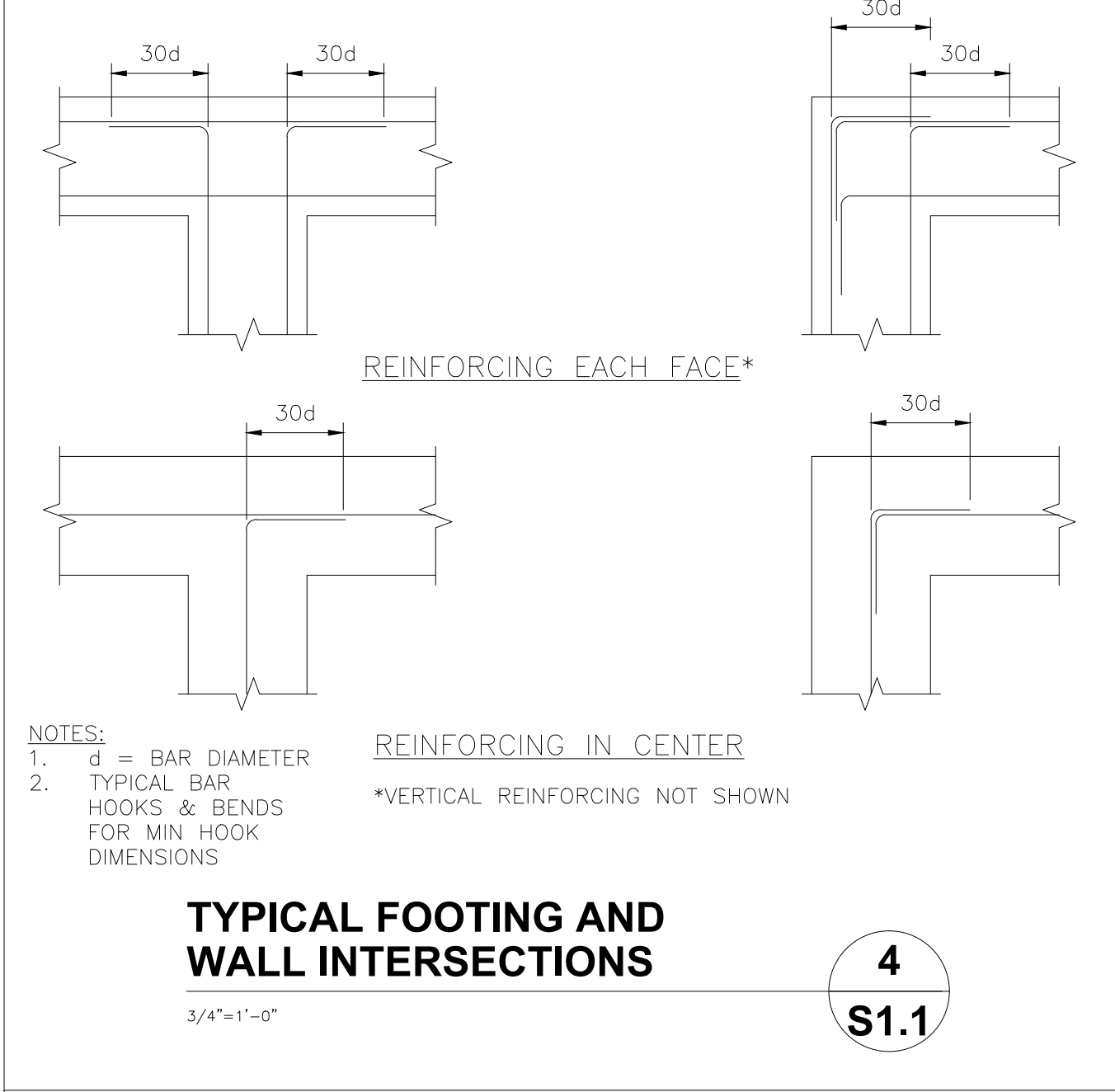
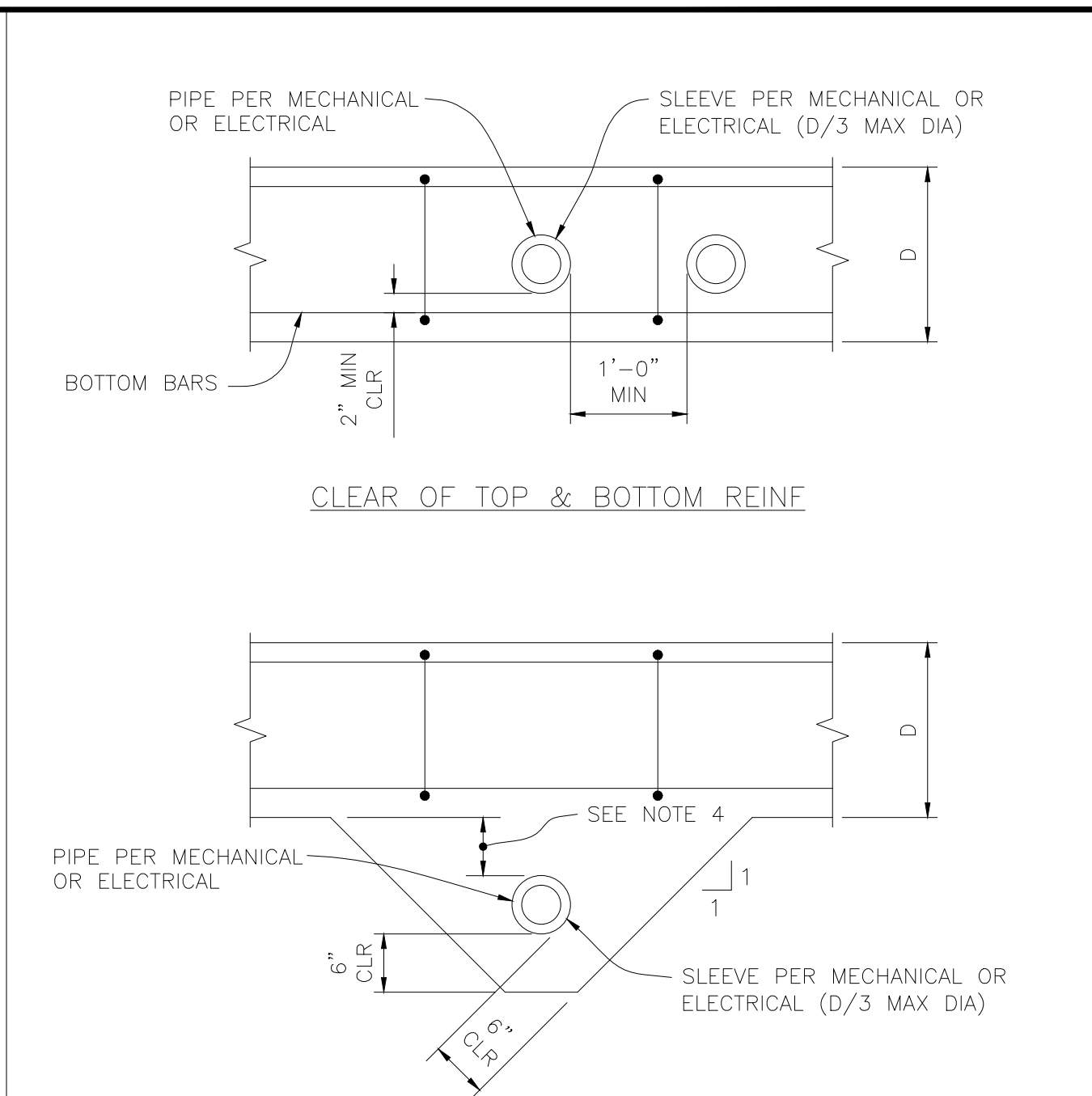
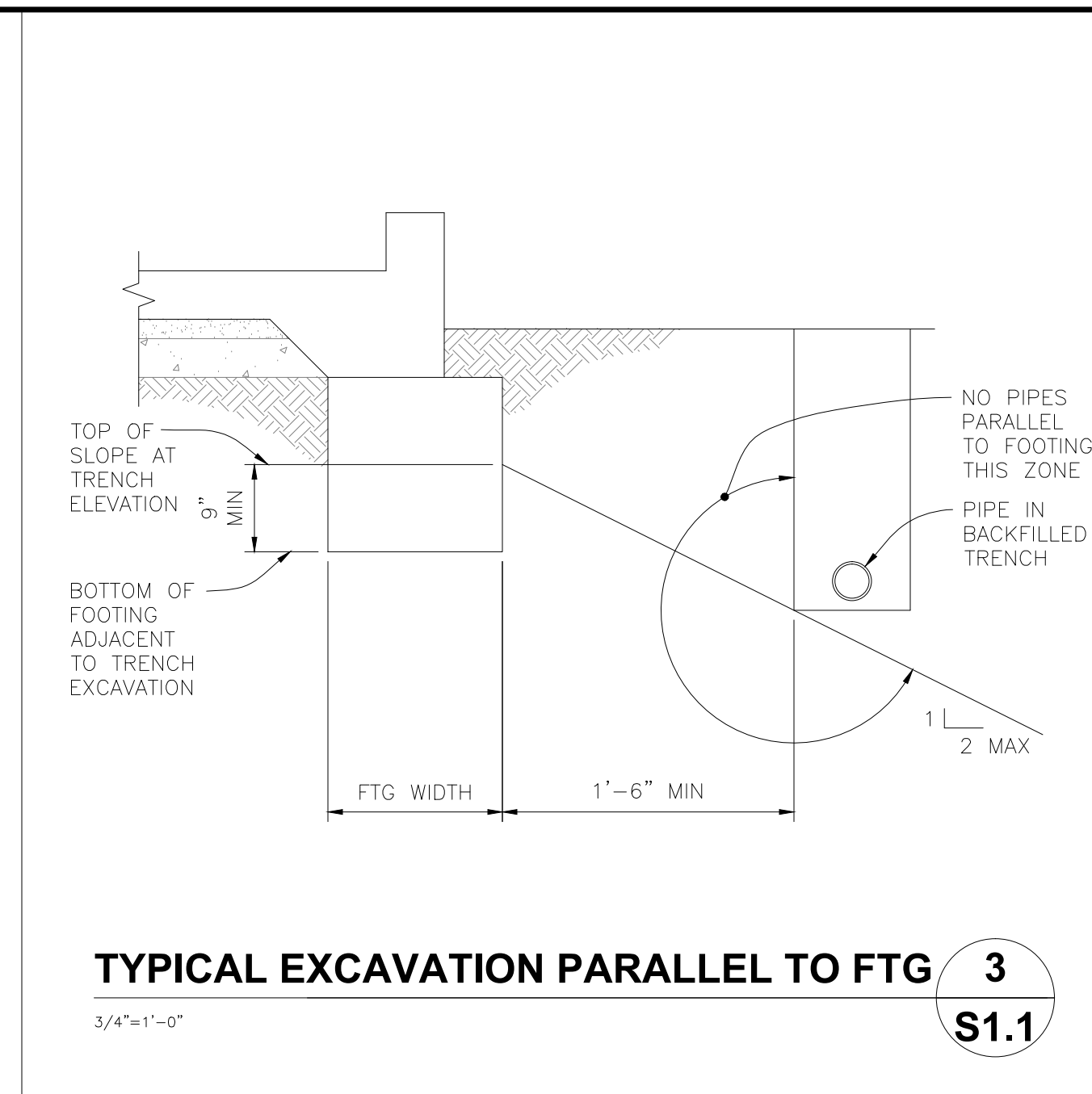


**LAP SPlice SCHEDULE FOR CONCRETE** 2  
S1.1

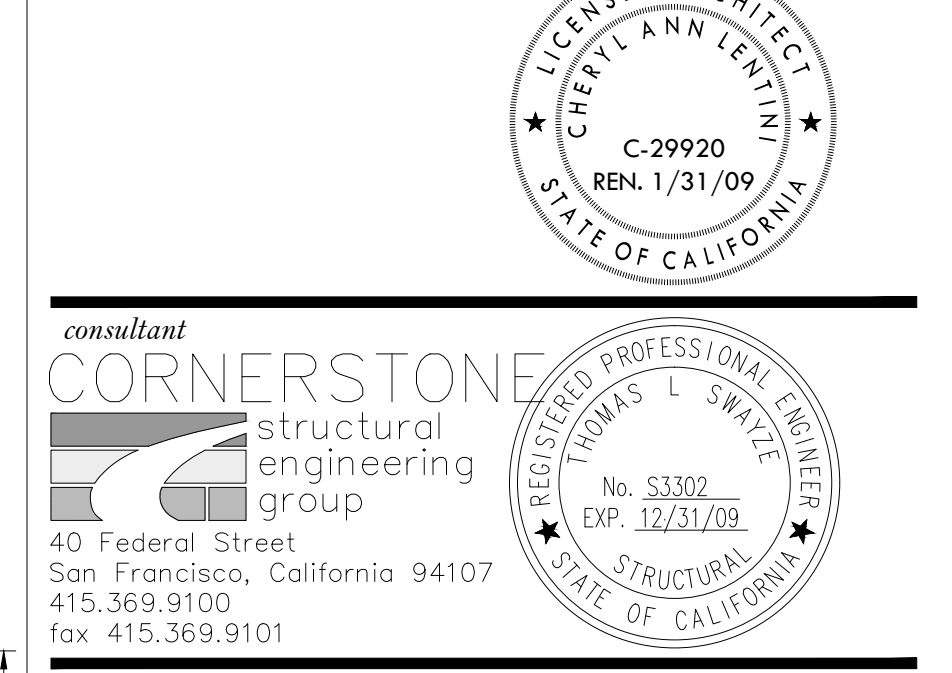
BAR SIZE	MIN LAP SPLICE
#3	24"
#4	24"
#5	30"
#6	36"
#7	63"
#8	72"
#9	81"
#10	90"
#11	99"

**NOTES:**

- LAP SPLICE LOCATIONS SHALL BE APPROVED BY THE ENGINEER.
- LAP SPLICE LENGTHS SHALL BE MULTIPLIED BY 1.3 WHEN THERE IS 12" OR MORE FRESH CONCRETE BELOW THE BAR.
- WHEN TWO BARS OF DIFFERENT SIZE ARE SPICED, USE THE LONGER LAP LENGTH.
- STAGGER LAP SPLICES 24" FOR ADJACENT BARS.



222 SUTTER STREET, 9TH FLOOR  
SAN FRANCISCO, CALIFORNIA 94108  
phone 415.777.9422 fax 415.777.2755 24/7 bparch.com



**project title**  
**SMCCCD COLLEGE OF SAN MATEO FINE ARTS COMPLEX BUILDINGS 2 & 4 RENOVATIONS INCREMENT 2**  
344 CSM DRIVE  
SAN MATEO, CA 94402

**agency approvals**

IDENTIFICATION STAMP  
DIVISION OF THE STATE ARCHITECT

APPL. No. 01 - 109243

AC \_\_\_\_\_ FLS \_\_\_\_\_ SS \_\_\_\_\_  
DATE \_\_\_\_\_

date	description
03.13.2008	PRICING SET
05.08.2008	INCREMENT 2 DSA SUBMITTAL
10.14.2008	DSA RESPONSE
11.04.2010	RECORD DRAWINGS

**sheet title**  
**TYPICAL DETAILS No.1**

**project no.** 2707.01  
**sheet no.** S1.1