

REVISION	DESCRIPTION	INITIAL	DATE
1	ISSUED FOR PROGRESS REVIEW		3/4/02
2	ISSUED FOR PLAN CHECK		4/15/02
3	ISSUED FOR PERMIT		7/22/02
4	ISSUED FOR BID		
5	ISSUED FOR CONSTRUCTION		

Rhine & Peterson
STRUCTURAL ENGINEERS
1511 San Antonio Road, Suite 200
Redwood City, CA 94061
Tel: 650-992-9600
Fax: 650-992-9601
http://www.rhp.com

INTERACTIVE
R E S O U R C E S
ARCHITECTURE-PLANNING-ENGINEERING
117 PARK PLACE
POINT RICHMOND
CALIFORNIA 94801
(910) 238-7435
(FAX) 232-5325
http://www.intrec.com

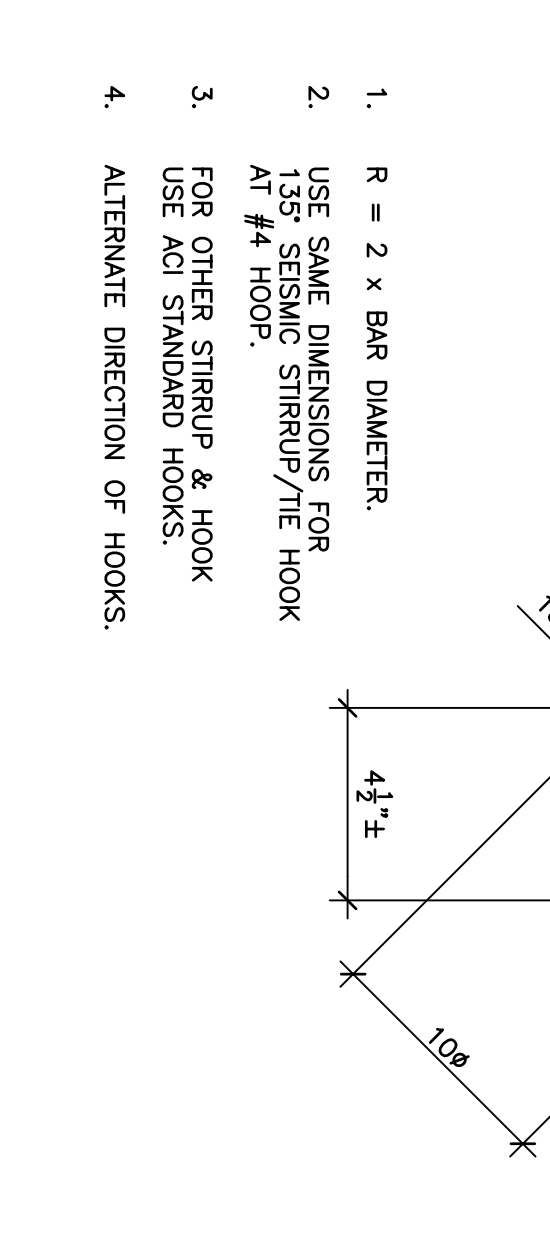
BUILDING 18
SEISMIC
REHABILITATION
COLLEGE OF SAN MATEO
3401 CSM DRIVE
SAN MATEO, CA 94402
SAN MATEO CO. COMMUNITY
COLLEGE DISTRICT

IDENTIFICATION stamp
DIVISION OF THE STATE ARCHITECT
APL 01-104536
AS RS SS
DATE _____

SHEET TITLE:
CONCRETE
DETAILS

PROJ. NO. ASB003.41
DRAWN BY: EJA
DESIGNED BY:
CHECKED BY:
SHEET NUMBER:
S5.1
NUMBER OF: _____

CLASS B	F _c = 3000 PSI		F _c = 4000 PSI		F _c = 5000 PSI		F _c = 6000 PSI	
	TOP OTHER BARS	TOP OTHER BARS	TOP OTHER BARS	TOP OTHER BARS	TOP OTHER BARS	TOP OTHER BARS	TOP OTHER BARS	
#3	28	21	24	18	22	17	20	16
#4	37	28	32	25	29	22	25	20
#5	46	36	40	31	36	28	33	25
#6	56	43	48	37	43	33	39	30
#7	67	51	62	45	54	41	47	37
#8	81	62	70	54	63	49	57	44
#9	94	71	80	62	72	55	65	50
#10	104	80	90	70	81	62	74	57
#11	118	90	102	78	94	70	83	64
#12	131	100	113	87	101	78	92	71



5.1D #4 CROSS TIE DETAIL

CSB0003

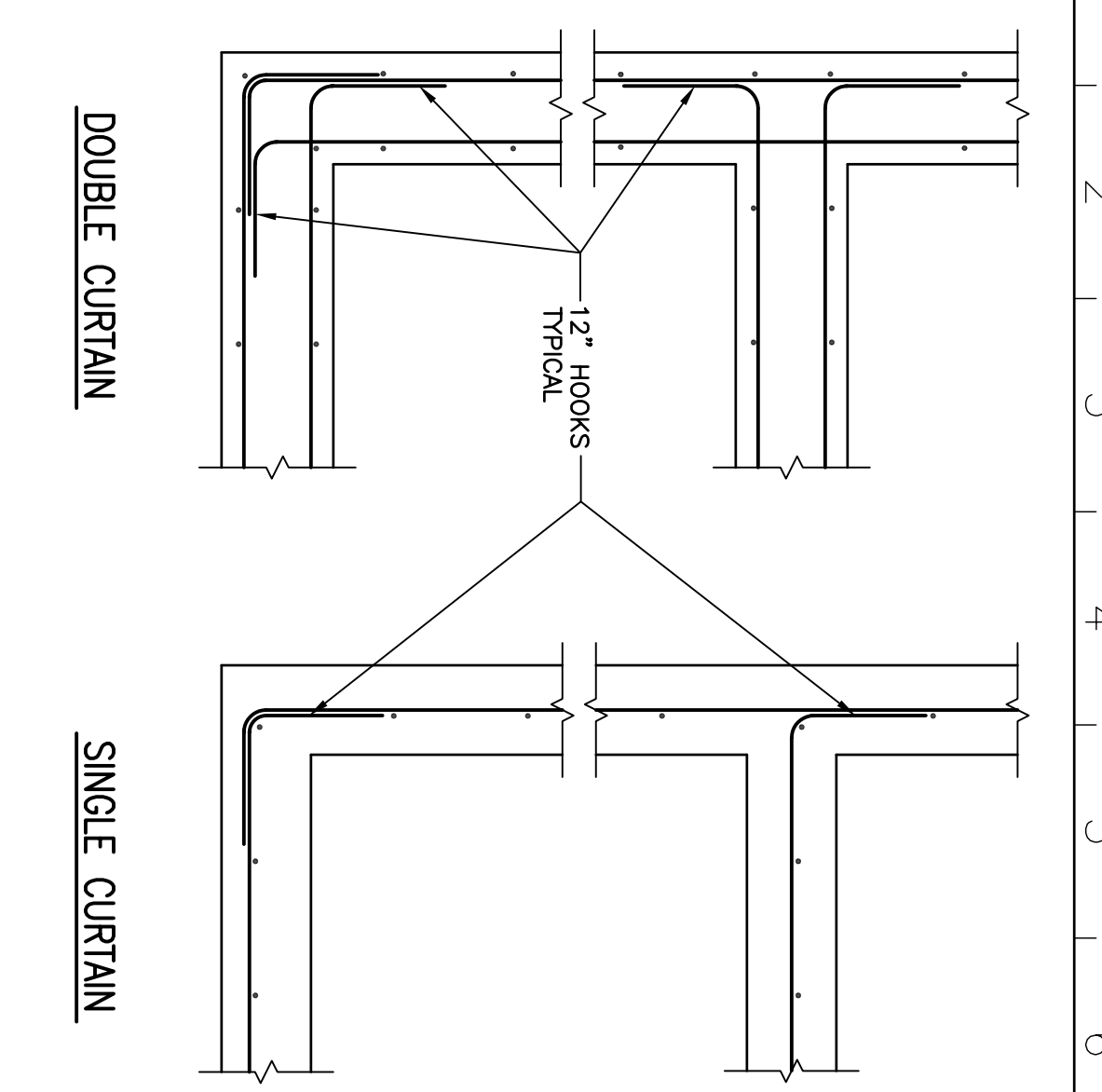
BAR SIZE	D	HOOK A OR G	H APPROX.
#3	1 1/2"	5"	3 1/2"
#4	2"	6 1/2"	4 1/2"
#5	2 1/2"	8"	5 1/2"
#6	4 1/2"	10 3/4"	6 1/2"

5.1C HOOP DETAIL

CSB0004

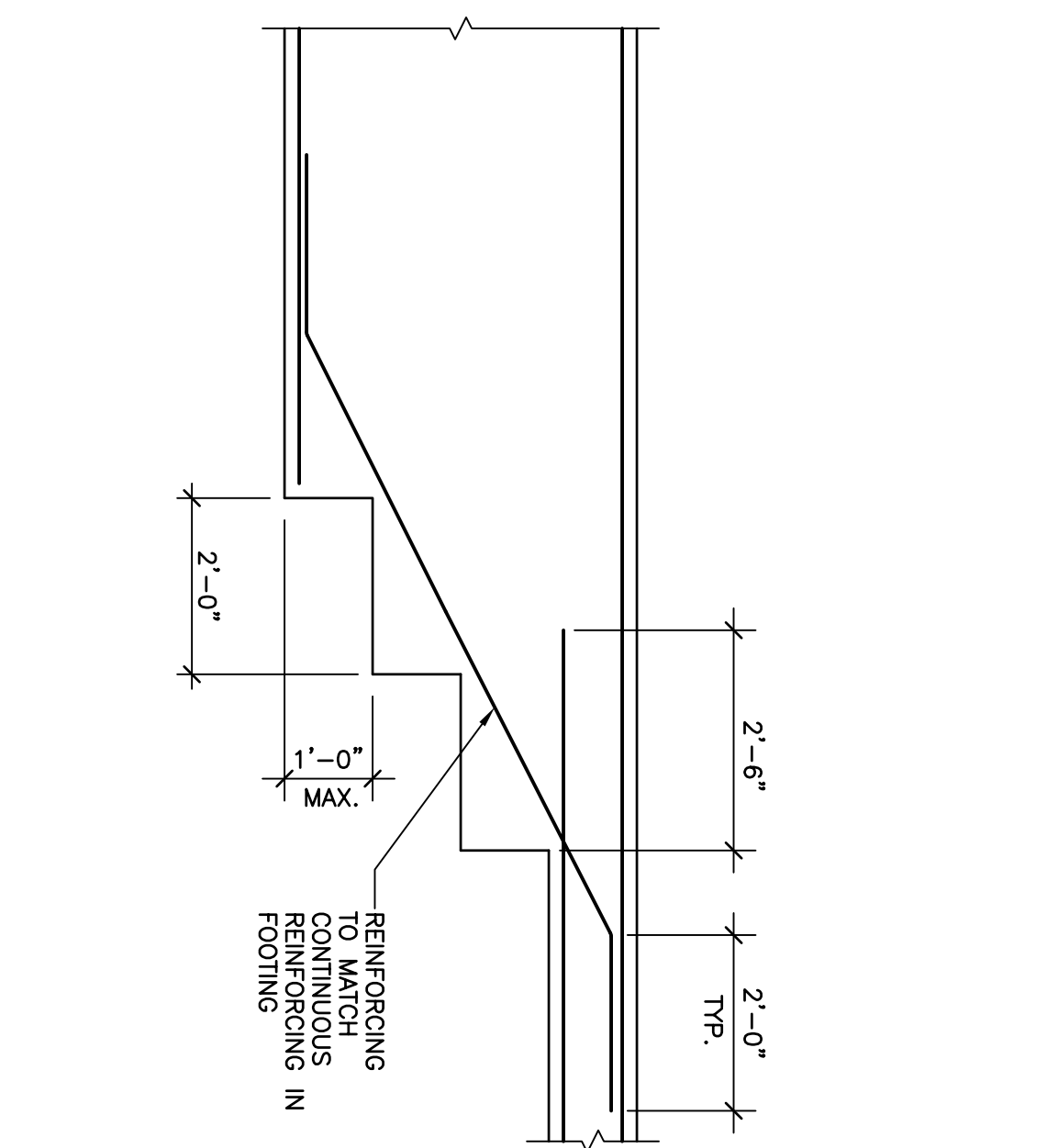
5.1B POUR JOINT IN FOOTING

CSB0005



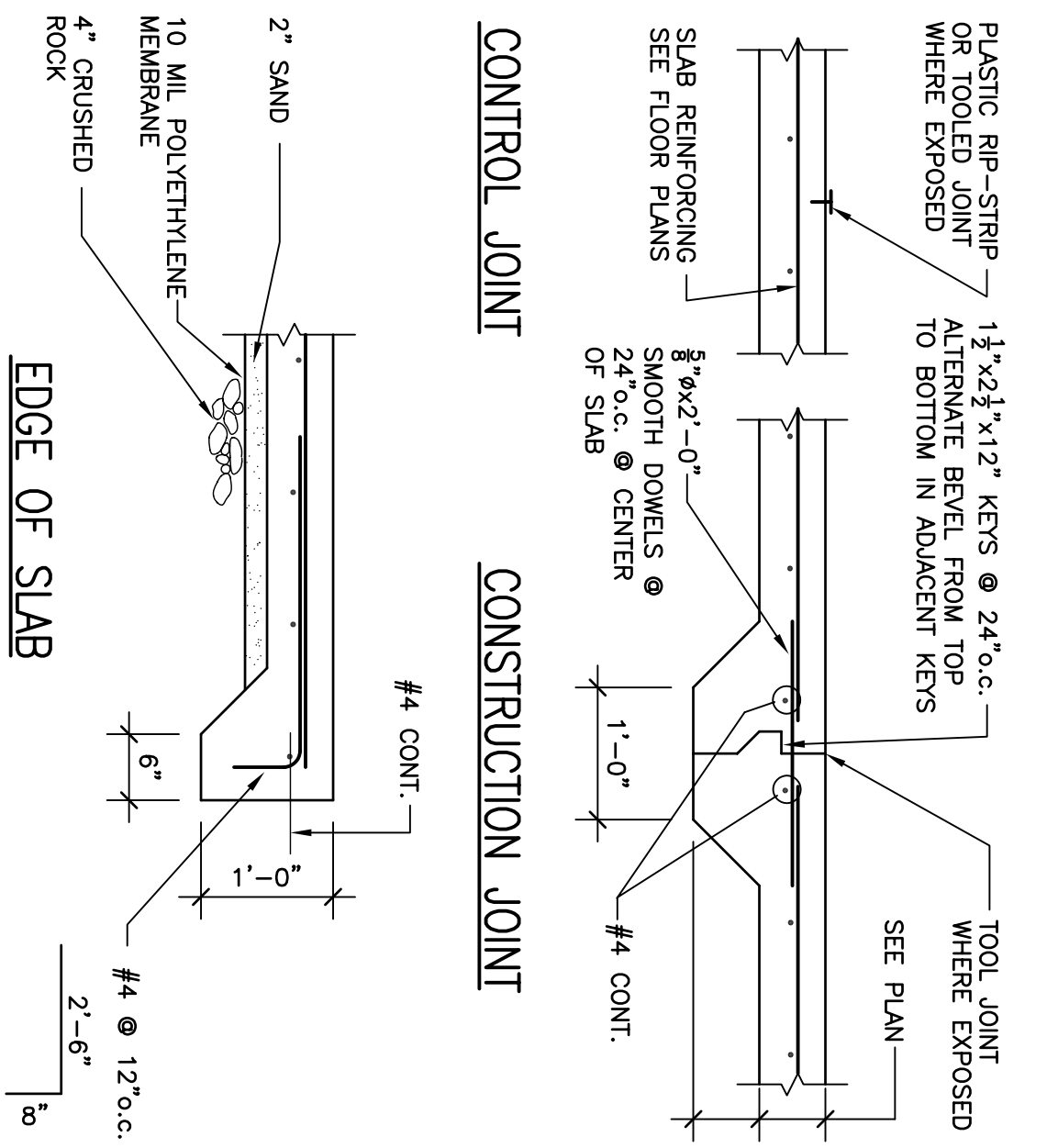
5.1A FOOTING OR WALL INTERSECTION

CSB0006



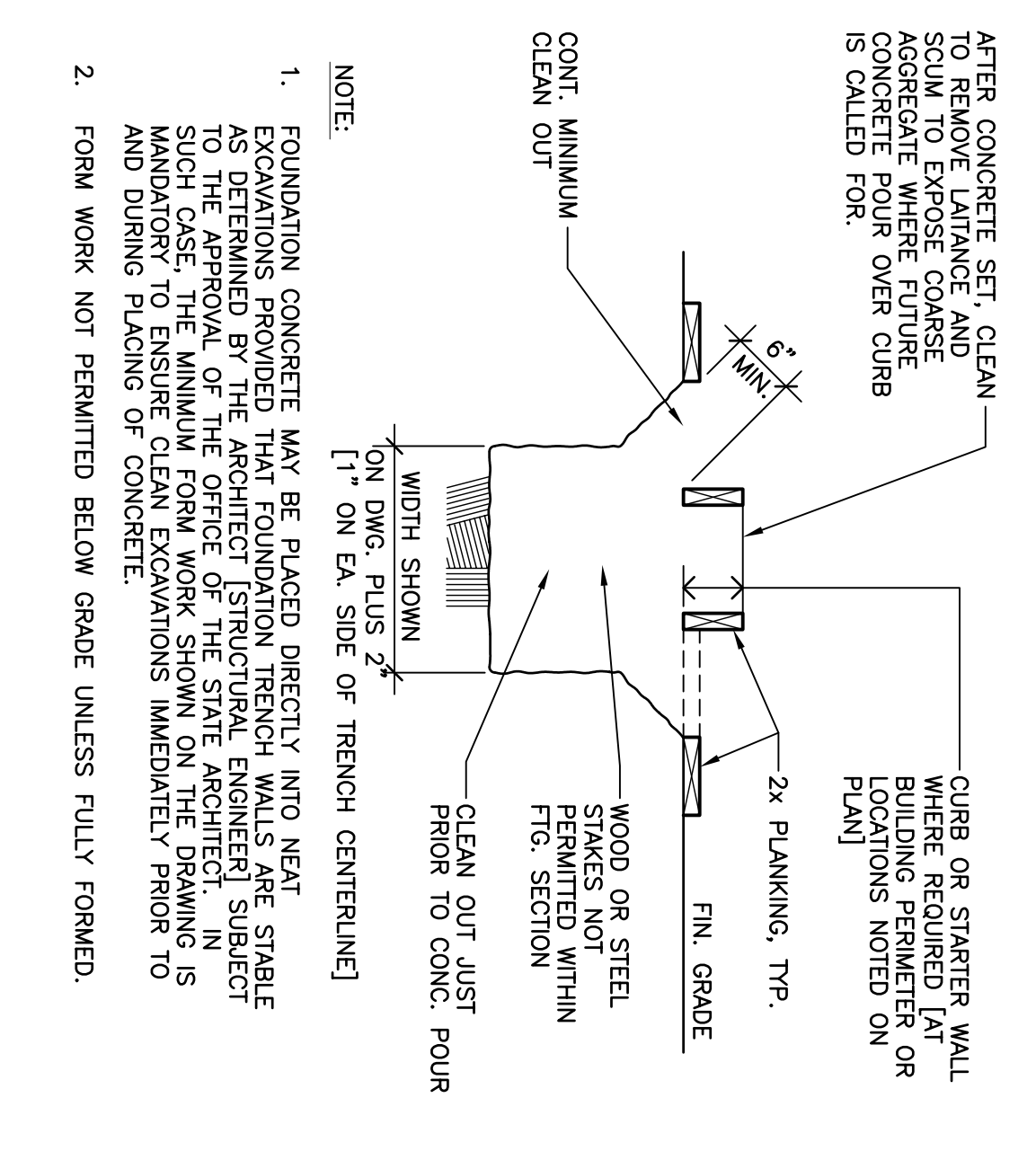
5.1J STEPPED FOOTING

CSB0008



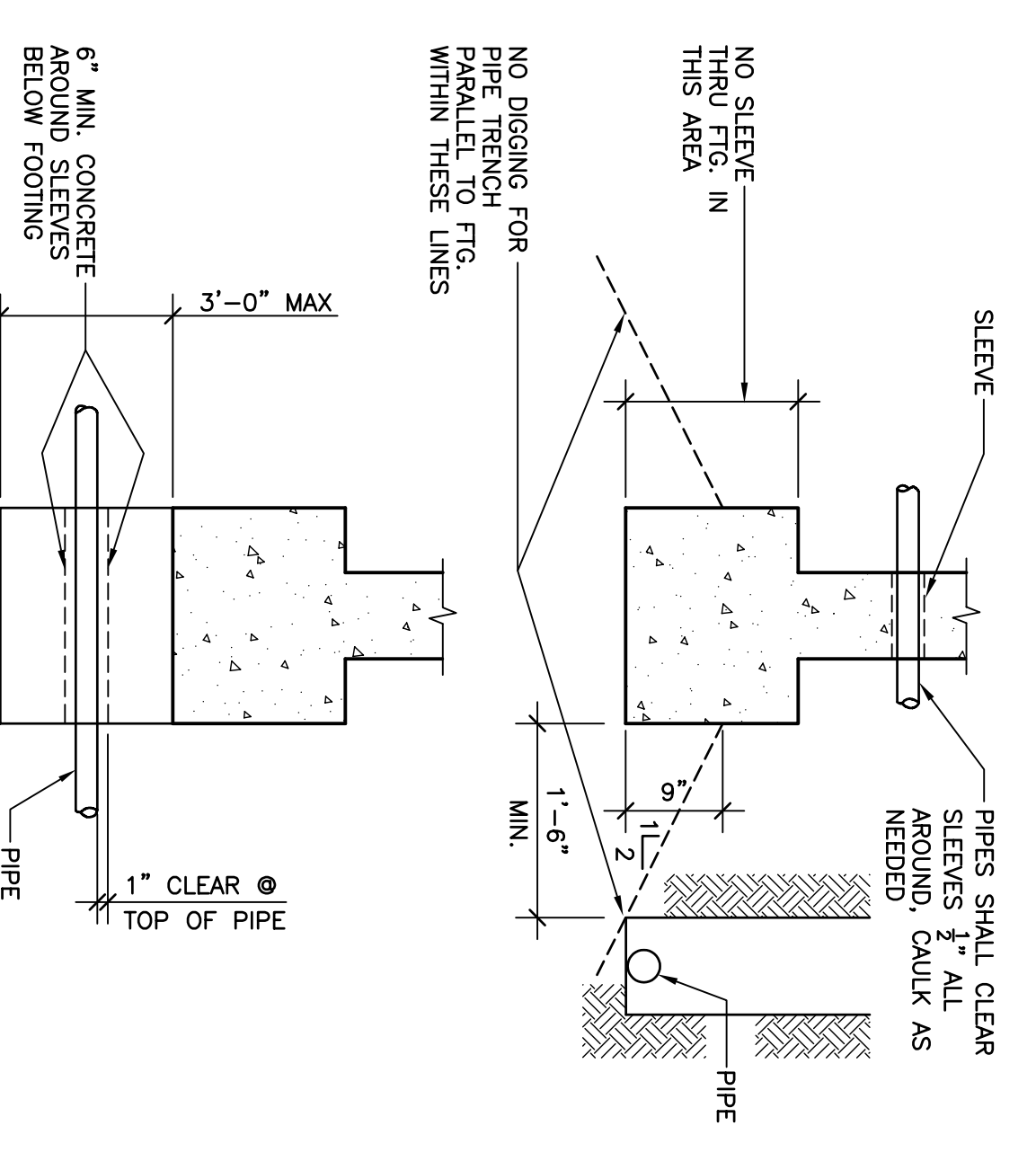
5.1H SLAB ON GRADE

CSB0009



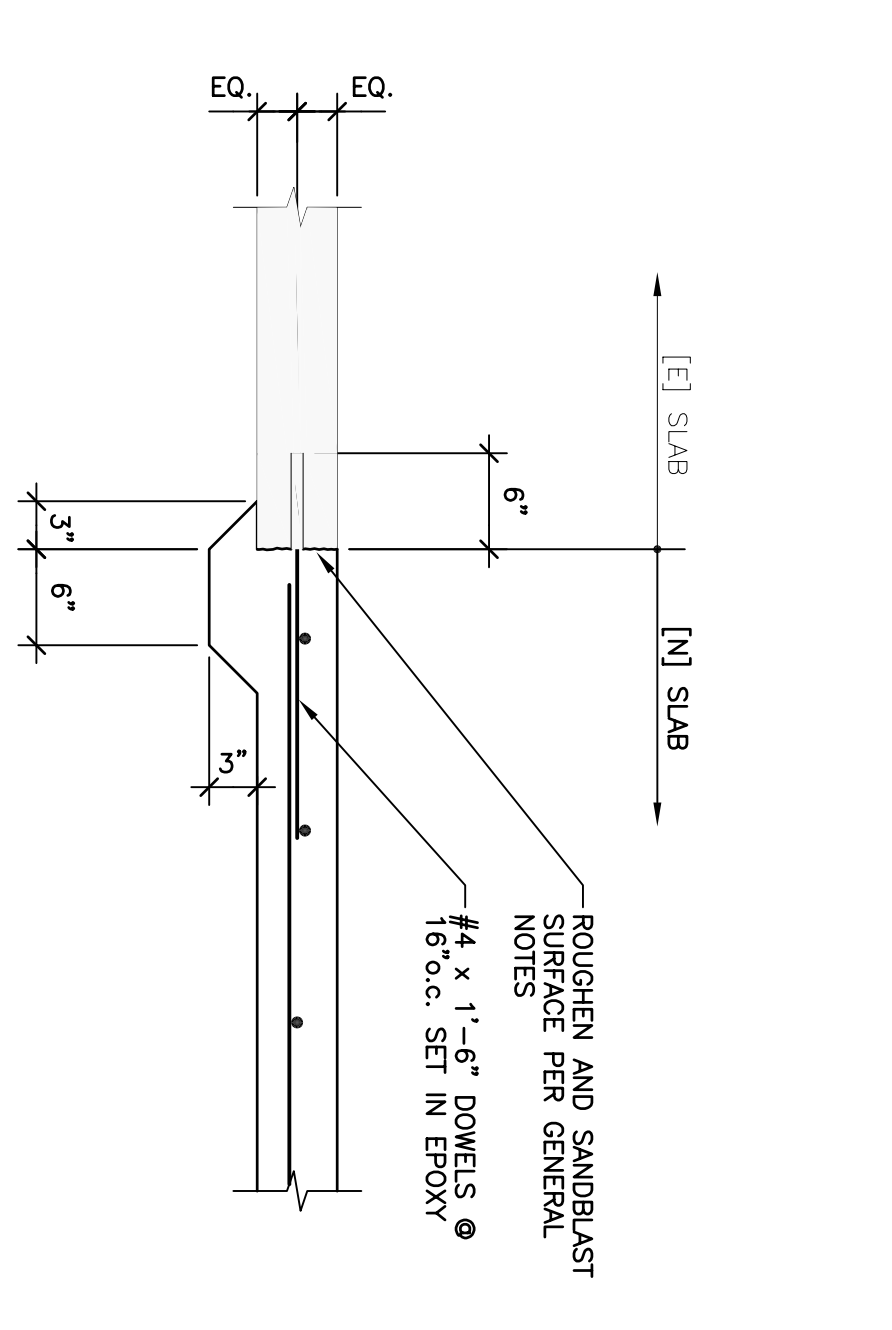
5.1G TYPICAL MANDATORY FORMWORK

CSB0010



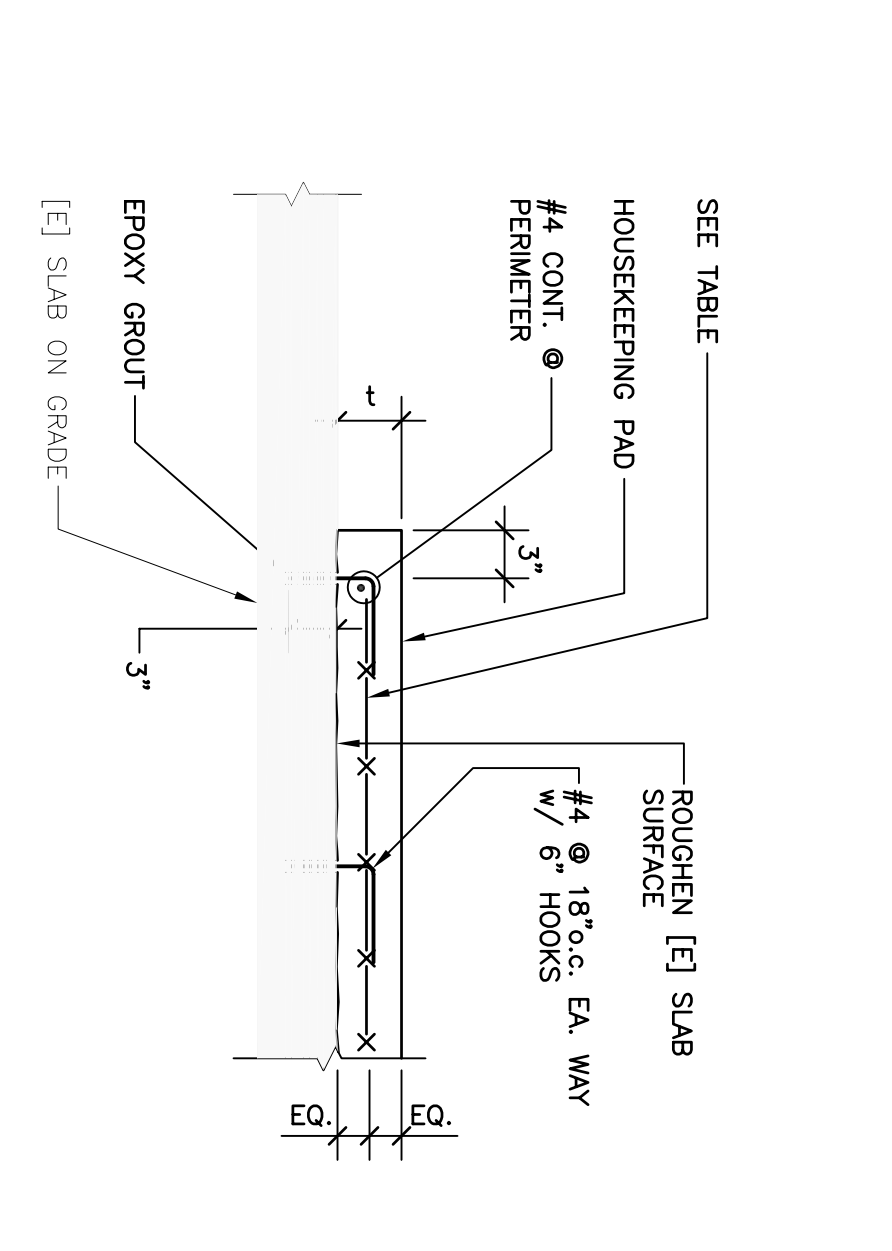
5.1F PIPES ABOVE OR BELOW FOOTING

CSB0011



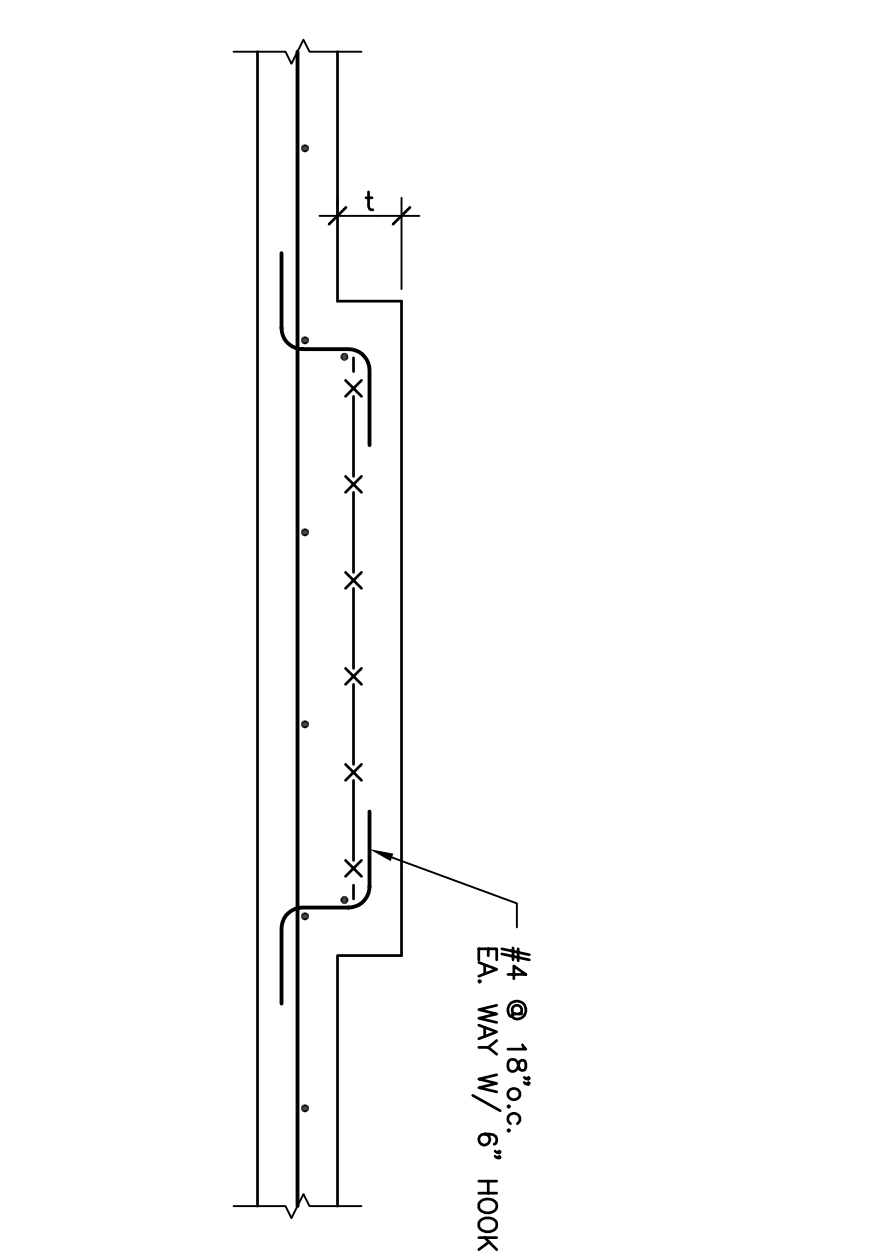
5.1Q NEW SLAB TO EXISTING SLAB ON GRADE

CSB0016



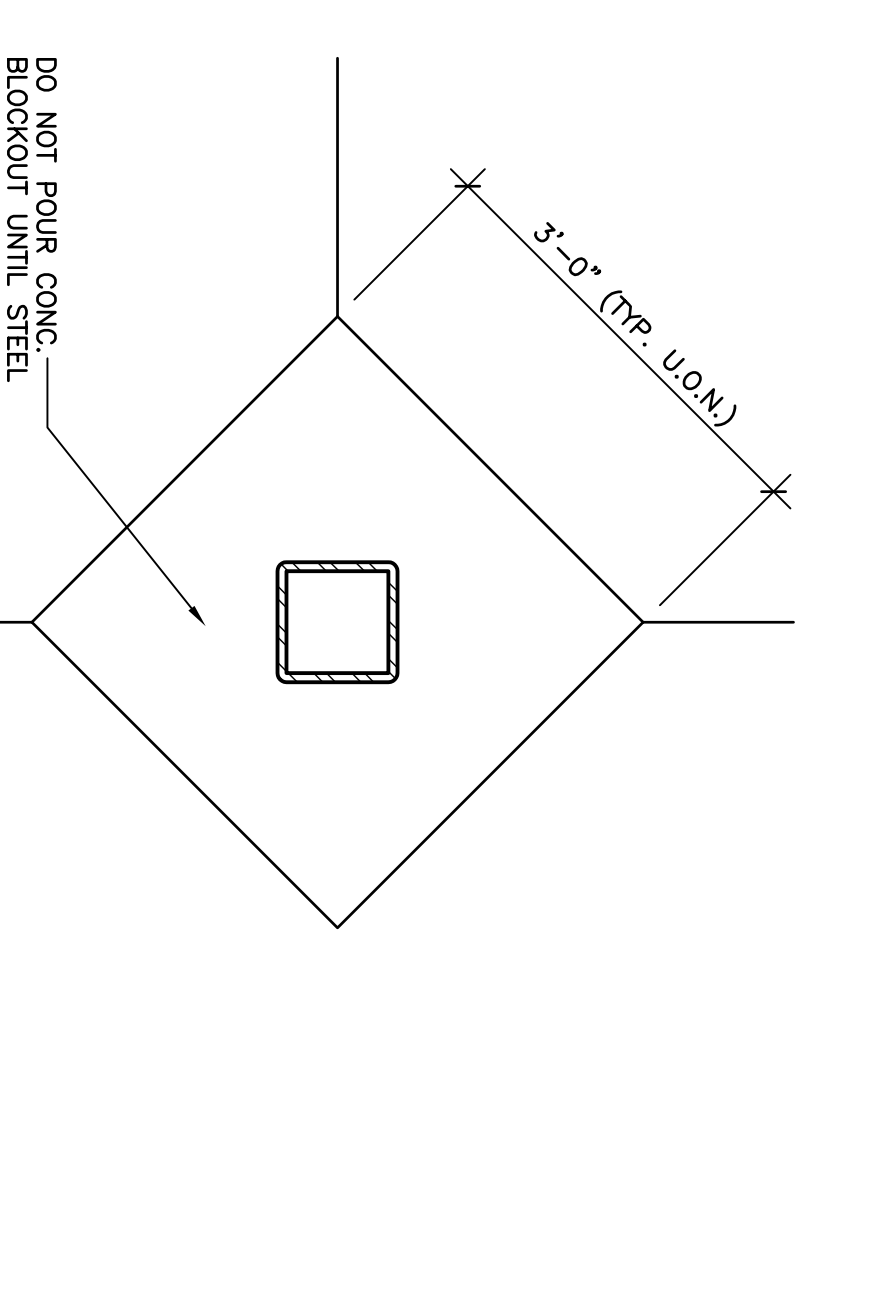
5.1P HOUSEKEEPING PAD

CSB0017



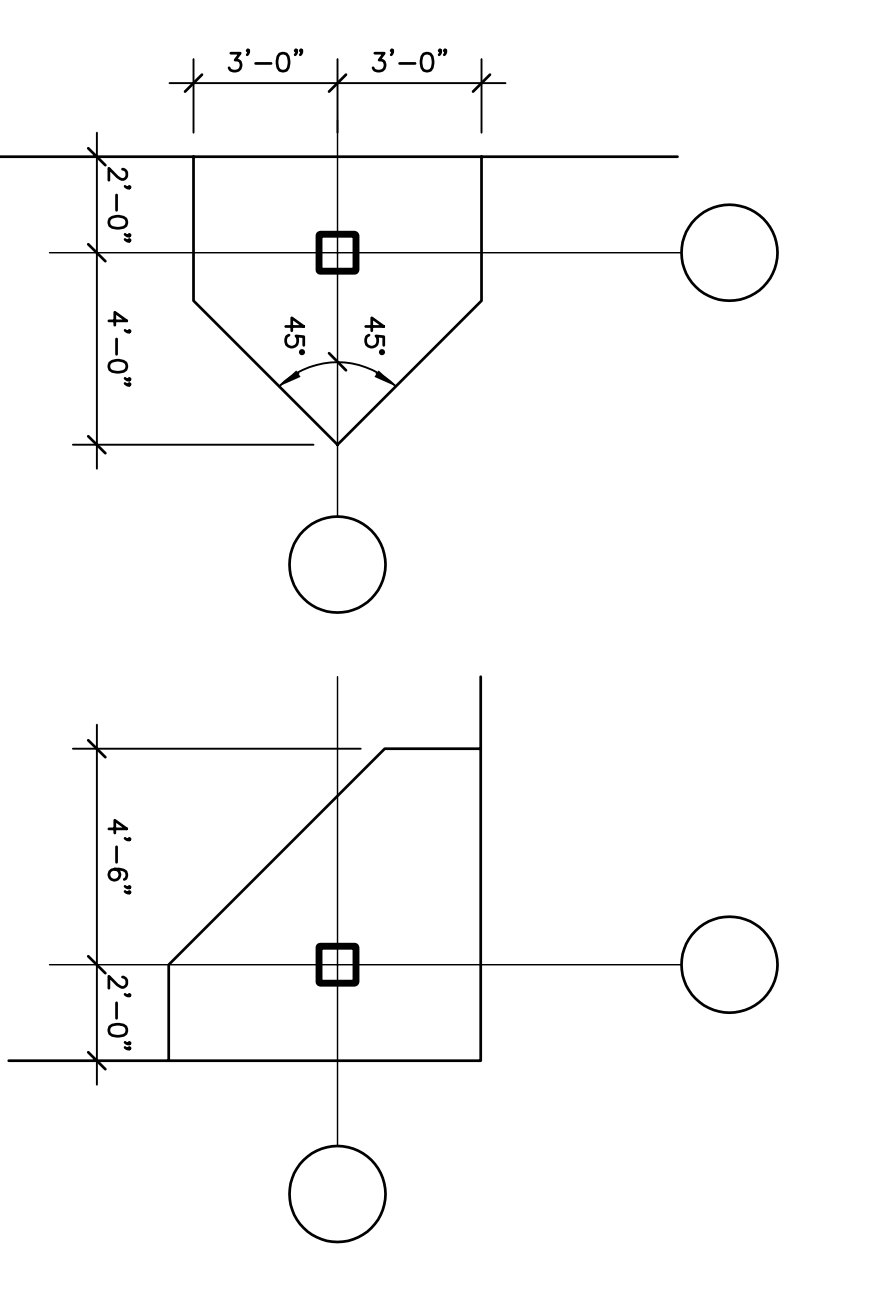
5.1N HOUSEKEEPING PAD

CSB0018



5.1M BLOCKOUT @ COLUMN

CSB0019



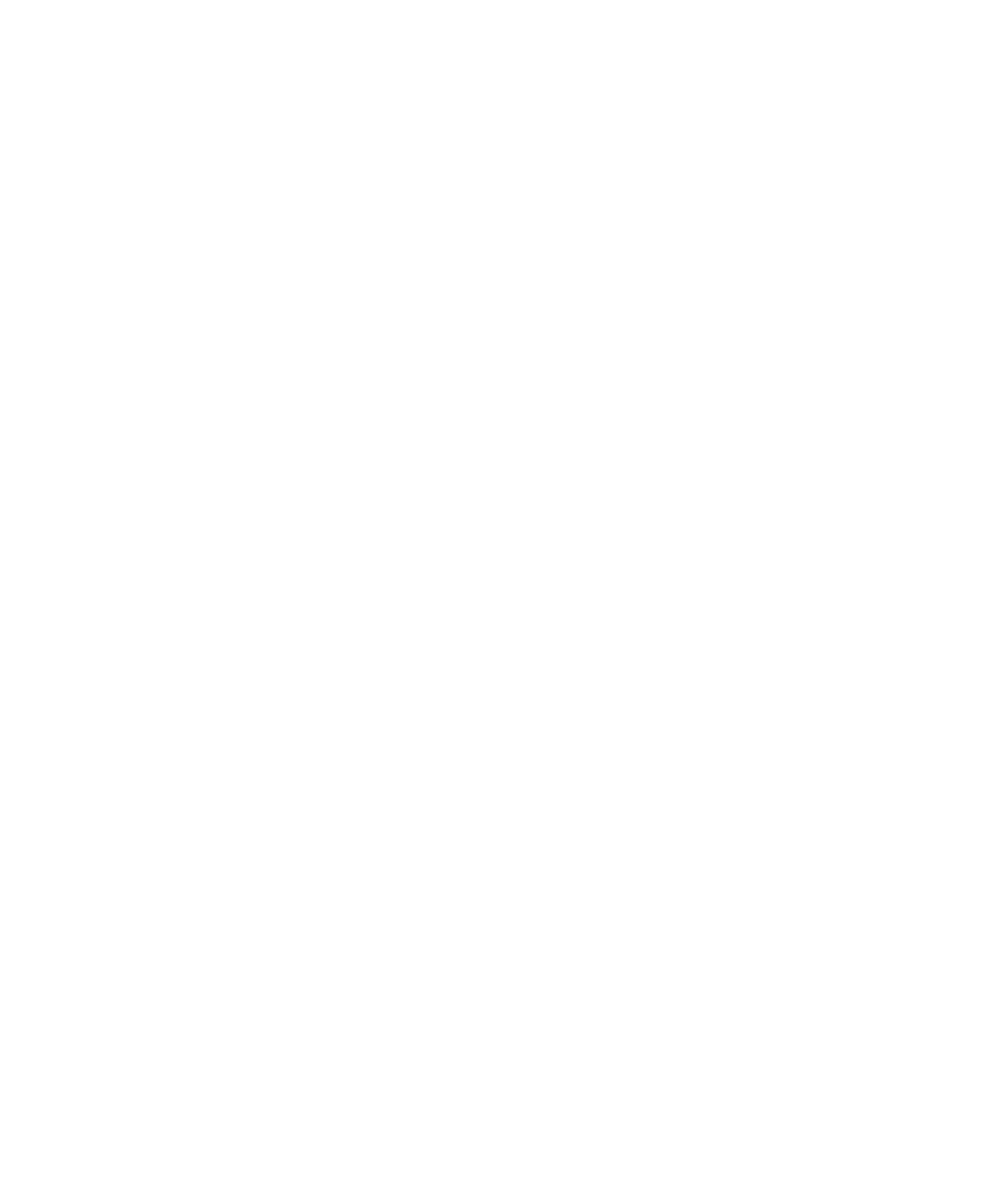
5.1L BLOCKOUTS @ PERIMETER

CSB0020



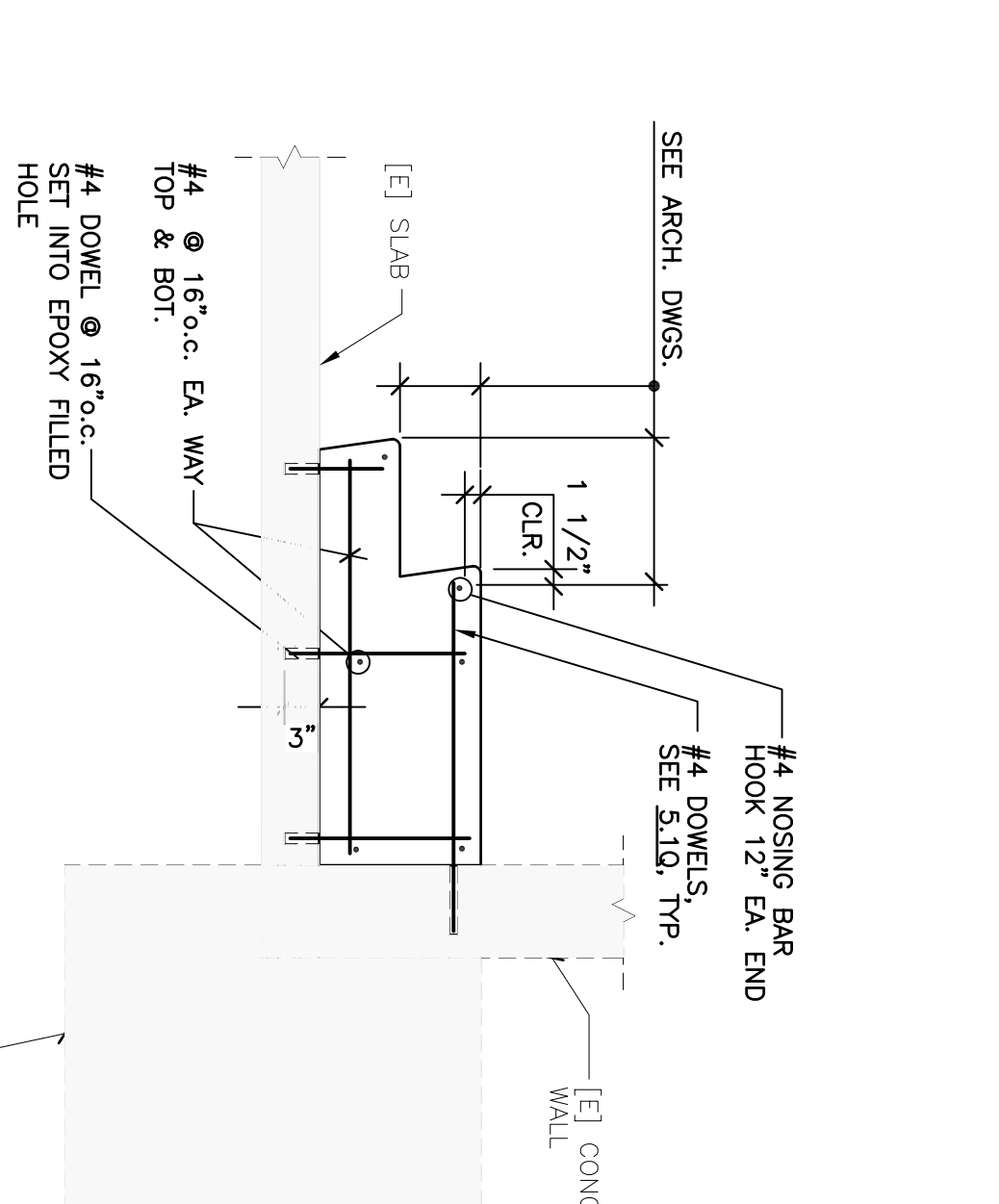
5.1T STEPS ON GRADE

CSB0021



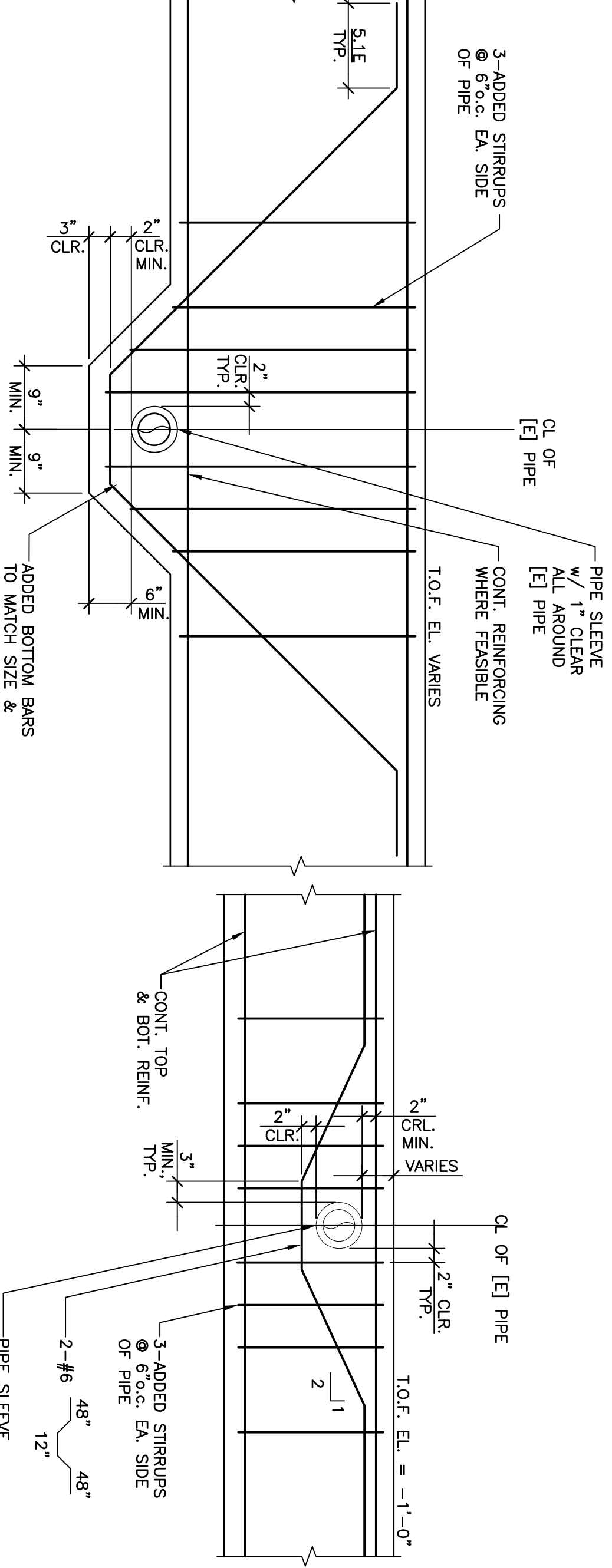
5.1S PIPE PENETRATION THROUGH GRADE BEAM

CSB0022



5.1R PIPE PENETRATION THROUGH GRADE BEAM

CSB0023



5.1R PIPE PENETRATION THROUGH GRADE BEAM

CSB0024

R & P JOB No. MO037.001
PRINCIPAL-IN-CHARGE PM
DRAWER No.
REMARKS: