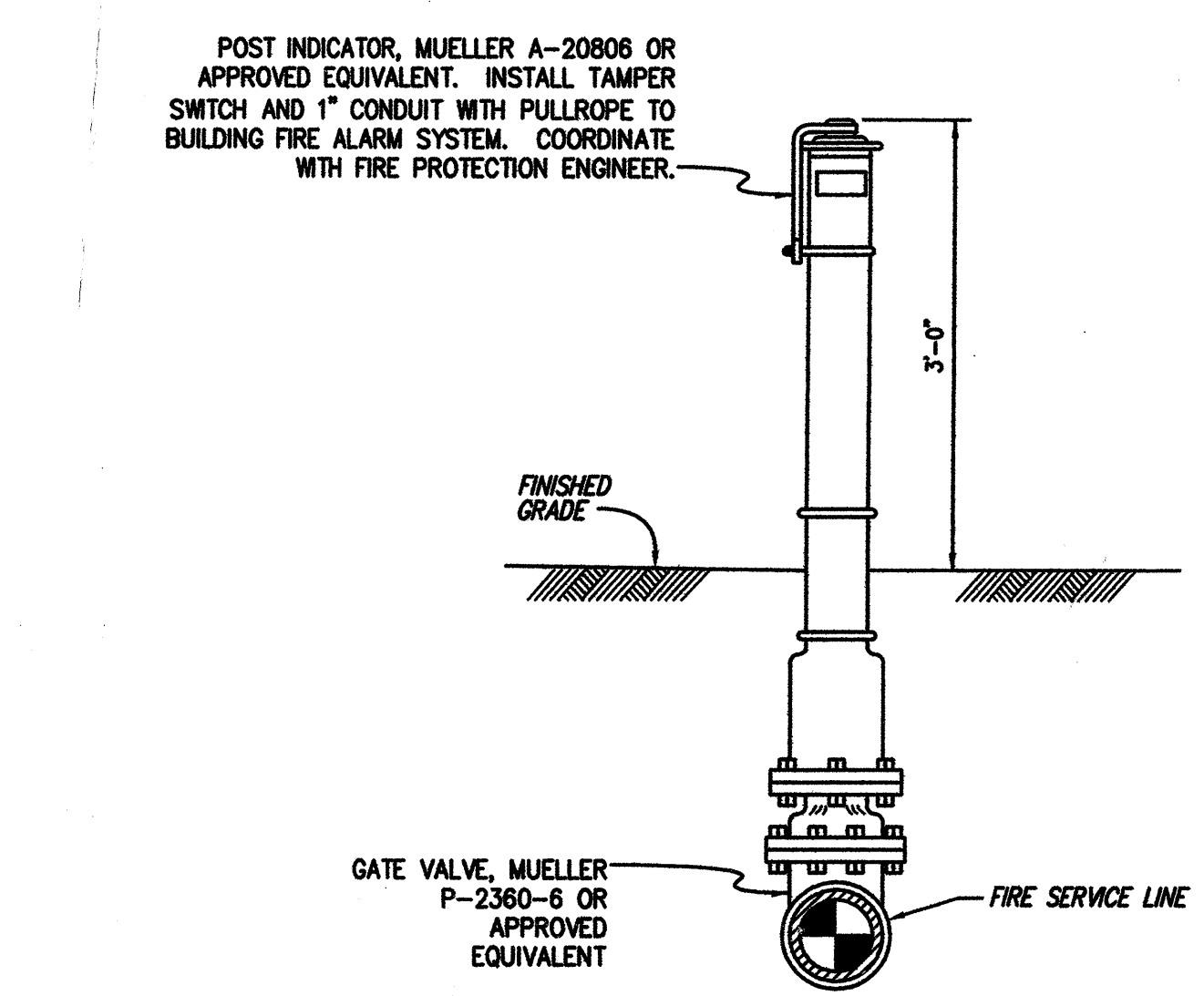
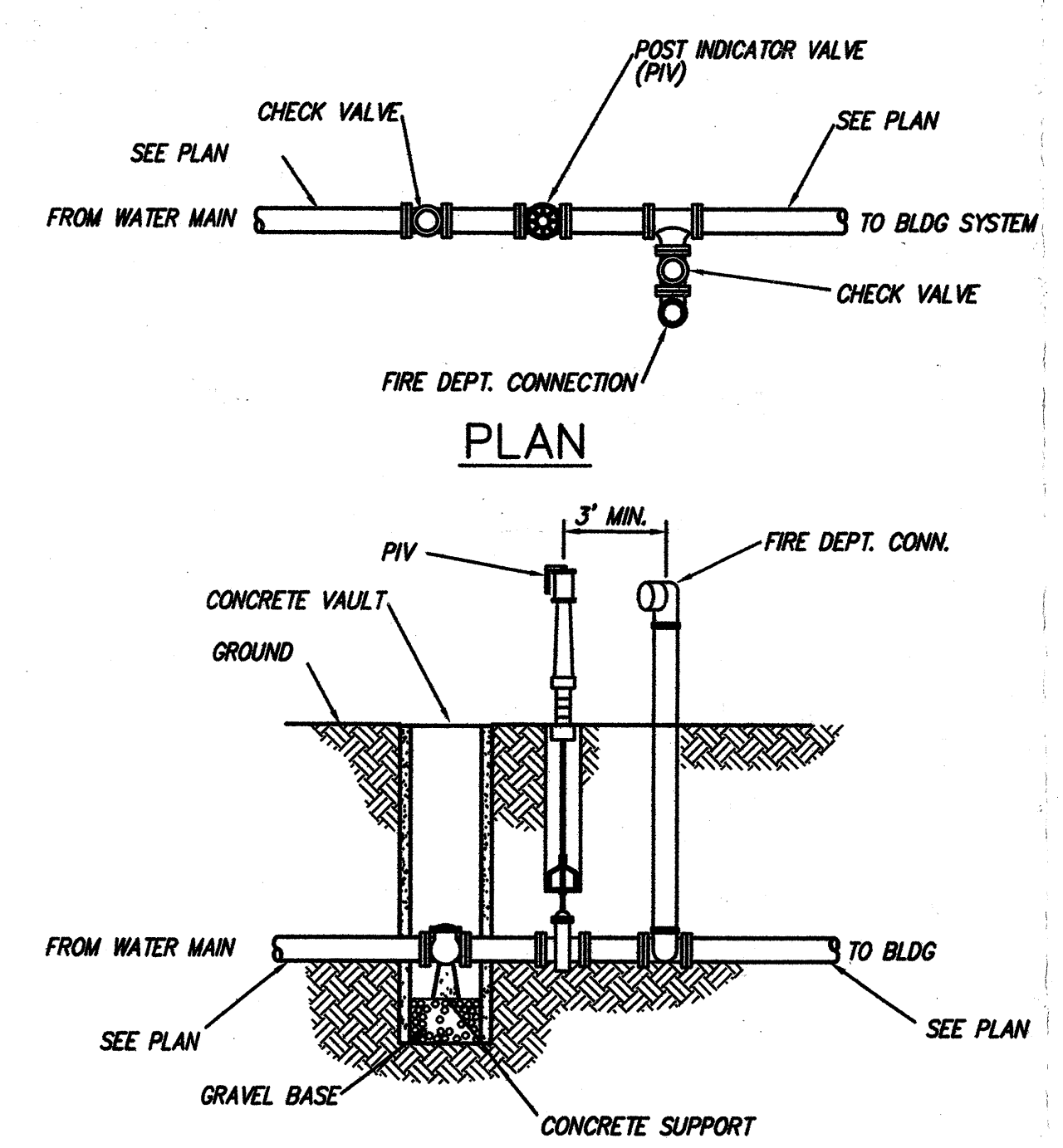


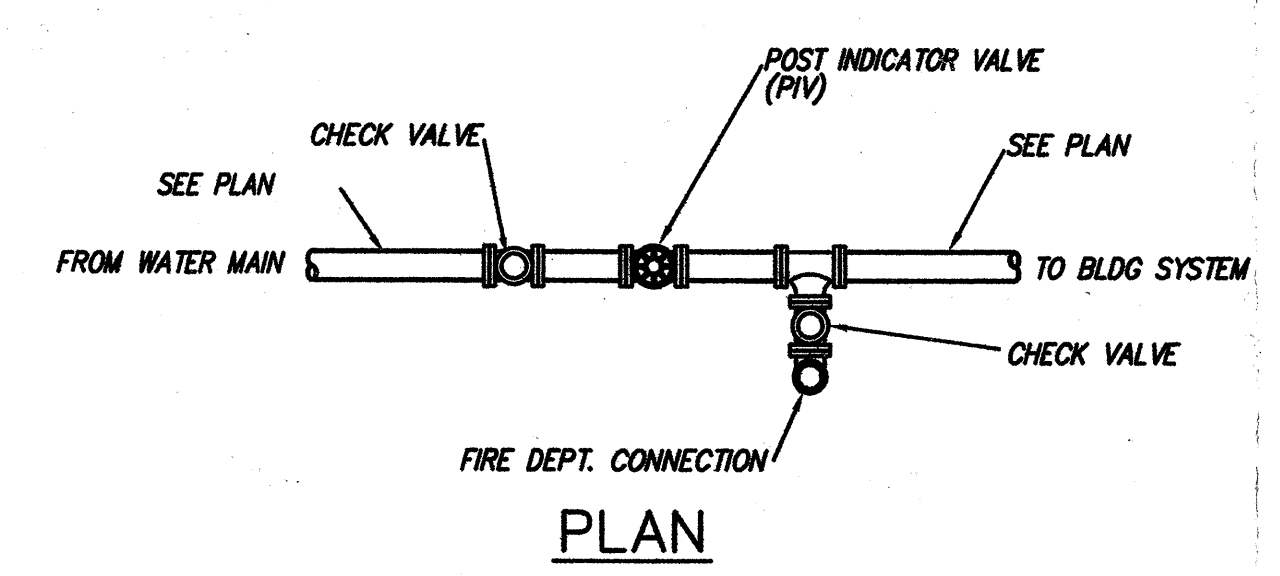
UTILITY CROSSING DETAIL 15
N.T.S.



POST INDICATOR ASSEMBLY 16
N.T.S.



SECTION FIRE SERVICE DETAIL 17
N.T.S.



PLAN

THRUST BLOCK TABLE				
TYPE OF FITTING	90° BEND & BURIES	45° BEND	11 1/4" OR 22 1/2" BEND	TEE OR DEAD END
TYPICAL PLAN VIEW				
REQUIRED BEARING TOTAL AREA IN SQUARE FEET				
Pipe Size	4"	6"	8"	10"
	2.6	5.3	9.1	13.7
	1.4	2.9	5.0	7.5
	0.8	1.5	2.6	3.8
	0.8	1.5	2.6	3.8
	10.5	18.4	26.0	14.1
	5.4	7.2	18.4	14.1

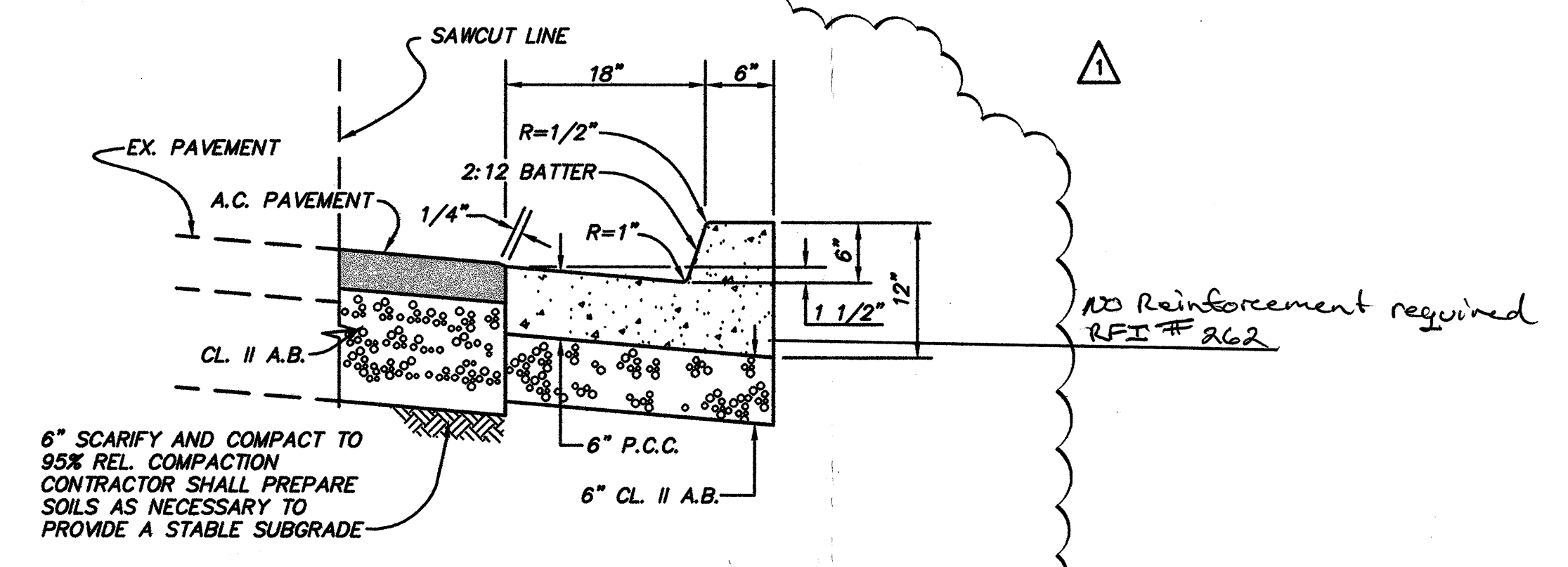
- THRUST BLOCK NOTES**
1. Thrust blocks to be constructed of class "2" concrete
 2. Blocks to be poured against undisturbed soil.
 3. Joints to be kept free of concrete. Allow working room.
 4. Abrupt changes in vertical alignment shall be anchored.
 5. Areas given are for class 200 pipe at a test pressure of 200 psi in soil with 2,000 psf bearing capacity. Subject to field conditions.
 6. Tapping sleeves shall have thrust blocks sized the same as tees.
 7. All bends shall have Thrust Block or Mechanical Restraints per contract specifications whether shown on plan or not.

THRUST BLOCK DETAIL 18
N.T.S.

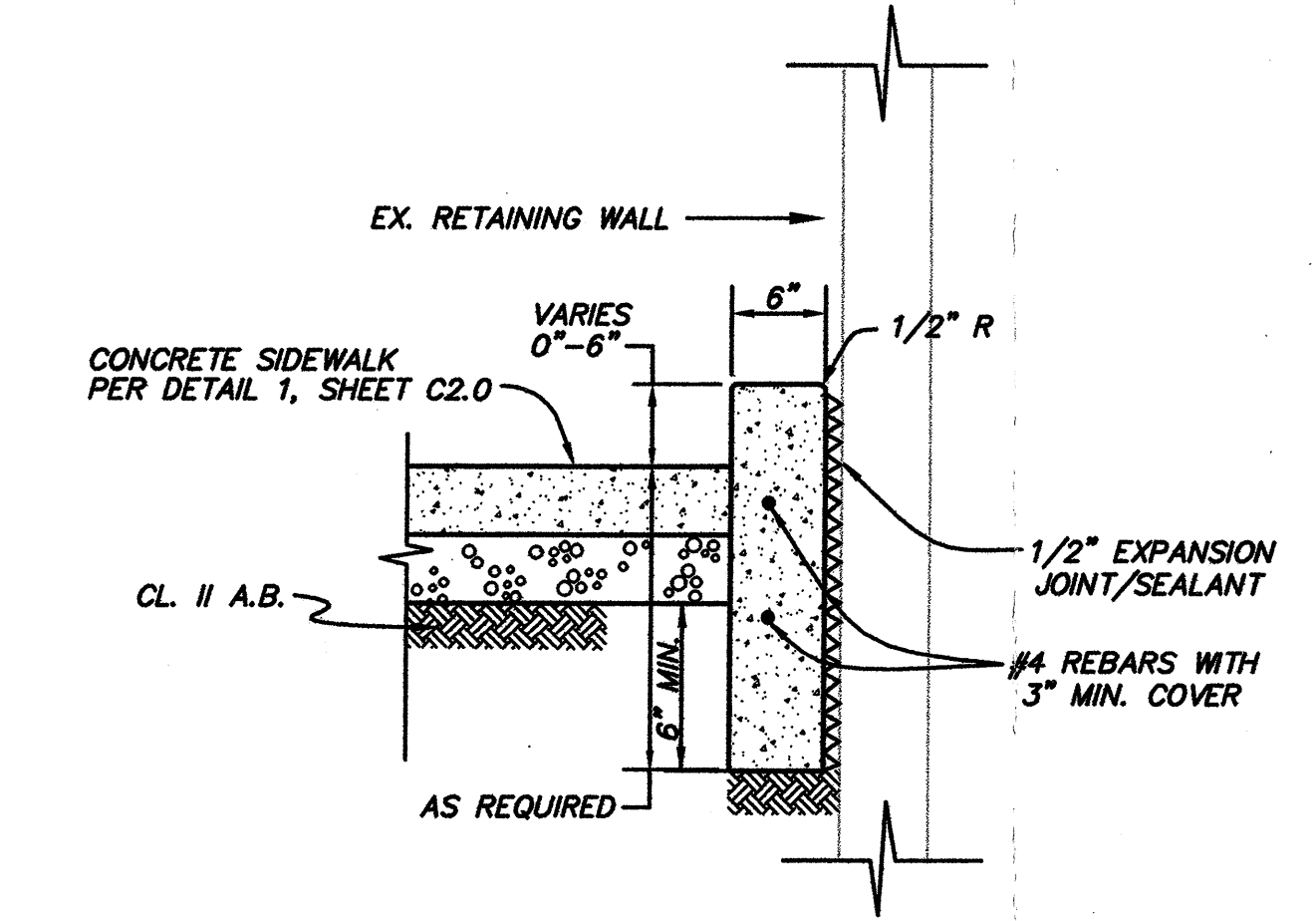
THRUST CALCULATION TABLE				
TYPE OF FITTING	90° BEND & BURIES	45° BEND	11 1/4" OR 22 1/2" BEND	TEE OR DEAD END
TYPICAL PLAN VIEW				
THRUST FORCE, T, IN POUNDS				
Pipe Size	4"	6"	8"	10"
	5120	10580	18200	27370
	2770	5725	9850	14815
	1415	2920	5020	7555
	1415	2920	5020	7555
	10680	20950	38710	20950
	28145	14350	36770	28145

- THRUST CALCULATION NOTES**
1. Calculations based on NFPA 24, TABLE A-8-6.2, 2000 EDITION
 2. Thrust Calculation given are for PVC C900 class 200 pipe at a static test pressure of 200 psi in soil with 2,000 psf bearing capacity. Subject to field conditions.

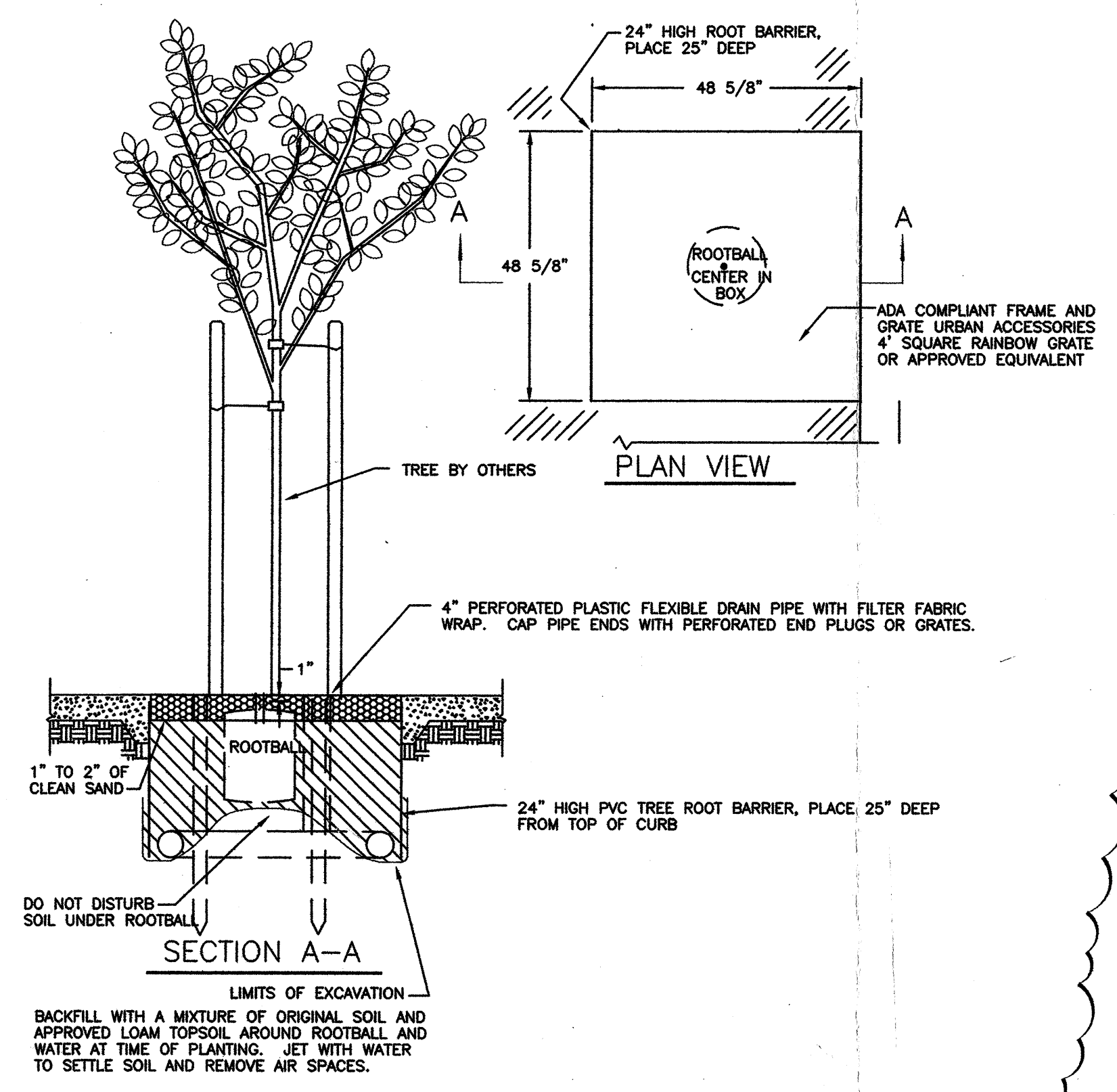
THRUST CALCULATIONS 19
N.T.S.



CURB AND GUTTER 20
N.T.S.



VERTICAL CURB AT EX. RETAINING WALL 21
N.T.S.



TREE WELL DETAIL 22
N.T.S.

AS BUILT DRAWINGS

REVISION	DESCRIPTION	INITIAL	DATE
ADD	ADDENDUM D	ESC	5/24/04
ADD	PARKING LOT 6	ESC	3/11/05

ISSUED FOR PROGRESS REVIEW 02/04/04
ISSUED FOR PLAN CHECK 03/03/04
ISSUED FOR PERMIT
ISSUED FOR BID
ISSUED FOR CONSTRUCTION

SEAL:

CONSULTANT:

SANDIS HUMBER JONES
CIVIL ENGINEERS SURVEYORS PLANNERS
1700 Broadway, Suite 300
Oakland, CA 94612
Tel: (510) 873-8866 Fax: (510) 873-8868

INTERACTIVE RESOURCES
ARCHITECTURE • PLANNING • ENGINEERING
117 PARK PLACE
POINT RICHMOND
CALIFORNIA 94801
(510) 236-7435
(FAX) 232-5325
http://www.intres.com

PROJECT:

BUILDING NO. 18 (NORTH HALL) MODERNIZATION

COLLEGE OF SAN MATEO
1700 WEST HILLSDALE BLVD.
SAN MATEO, CA 94402

SAN MATEO CO. COMMUNITY COLLEGE DISTRICT

SHEET TITLE:

CIVIL CONSTRUCTION DETAILS

PROJ. NO. 2002-066.02
PREPARATION AND REVIEW
DRAWN BY SEC
DESIGNER JCL
PROJ. MGR. ESC
PEER REVIEW
SHEET NUMBER:

NUMBER: OF: 4