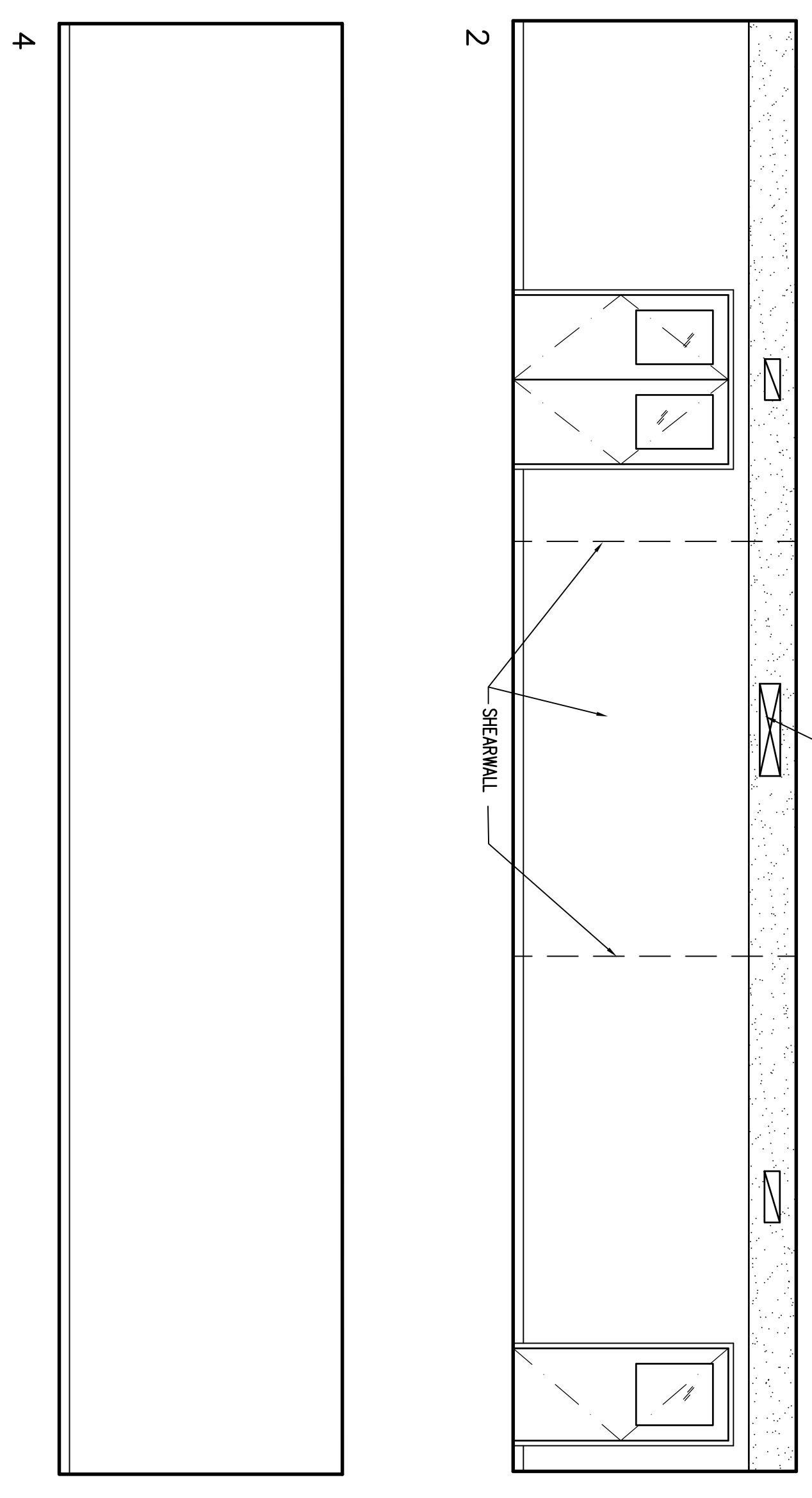
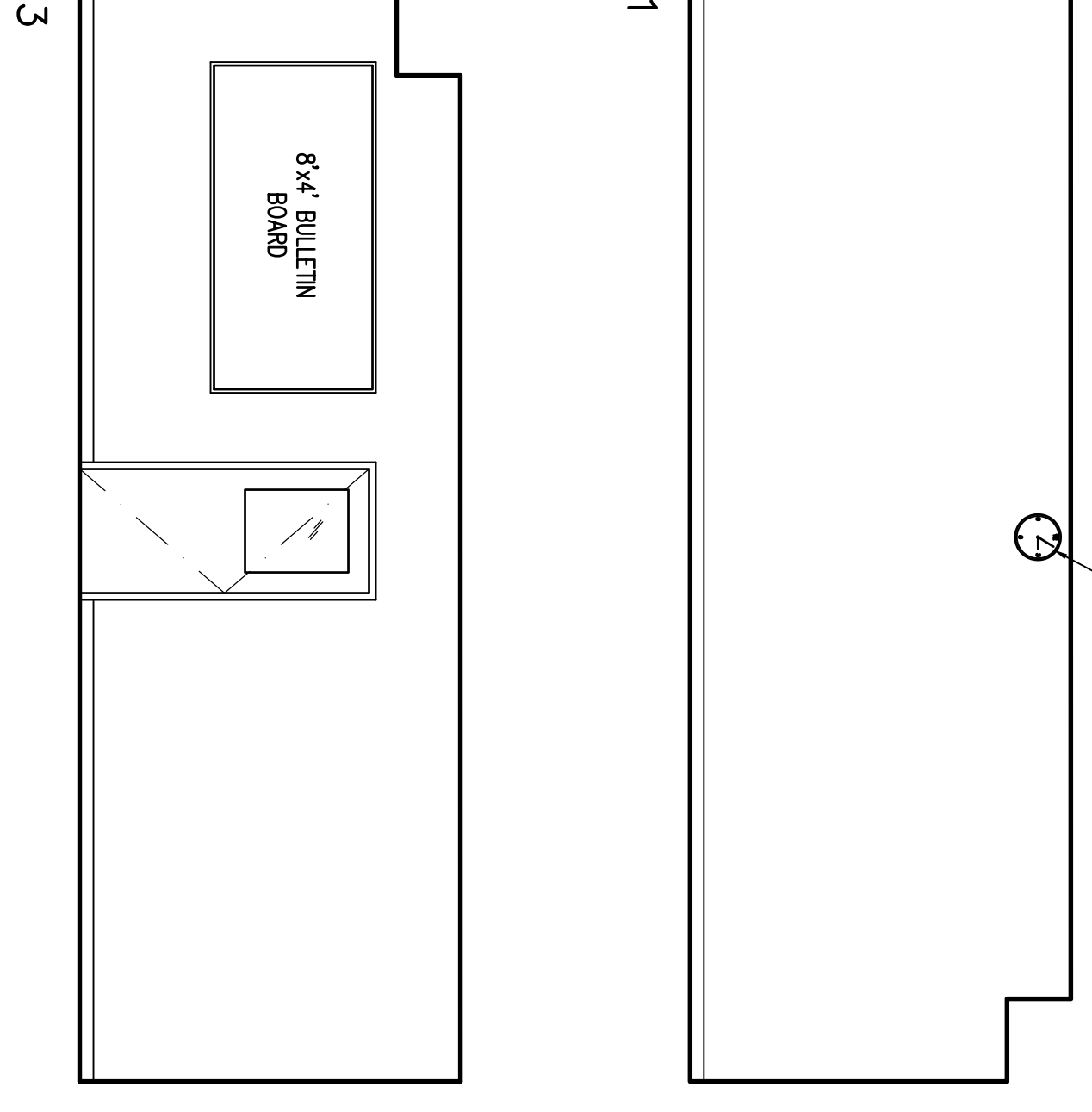
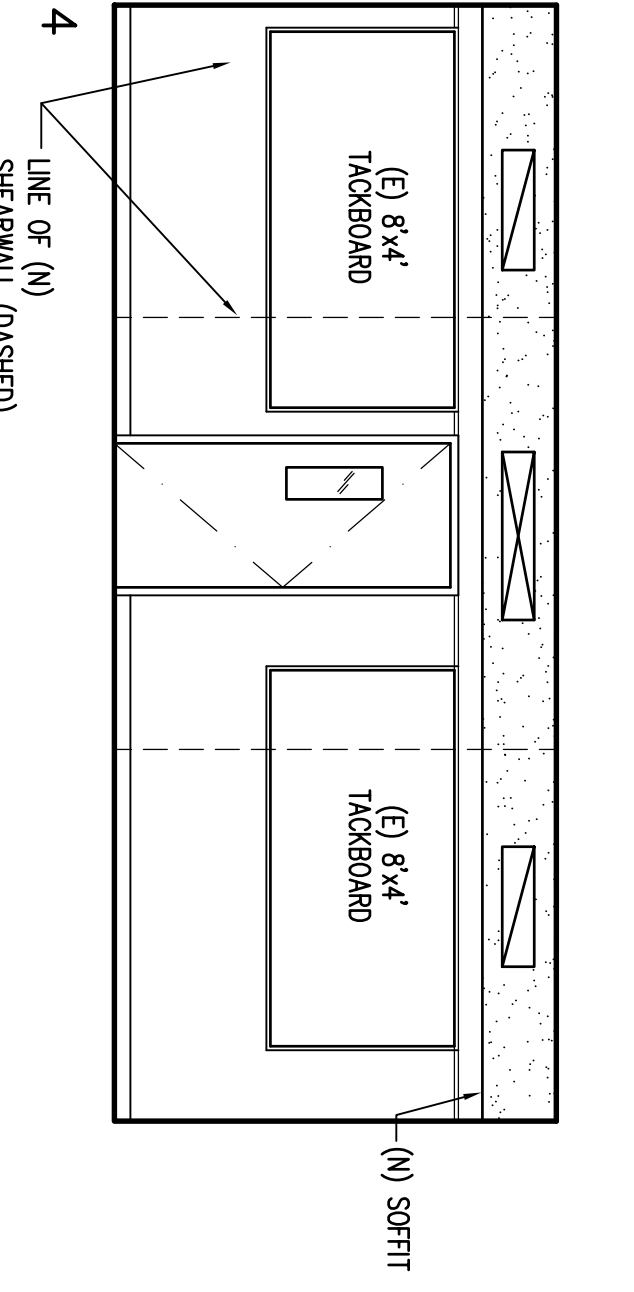
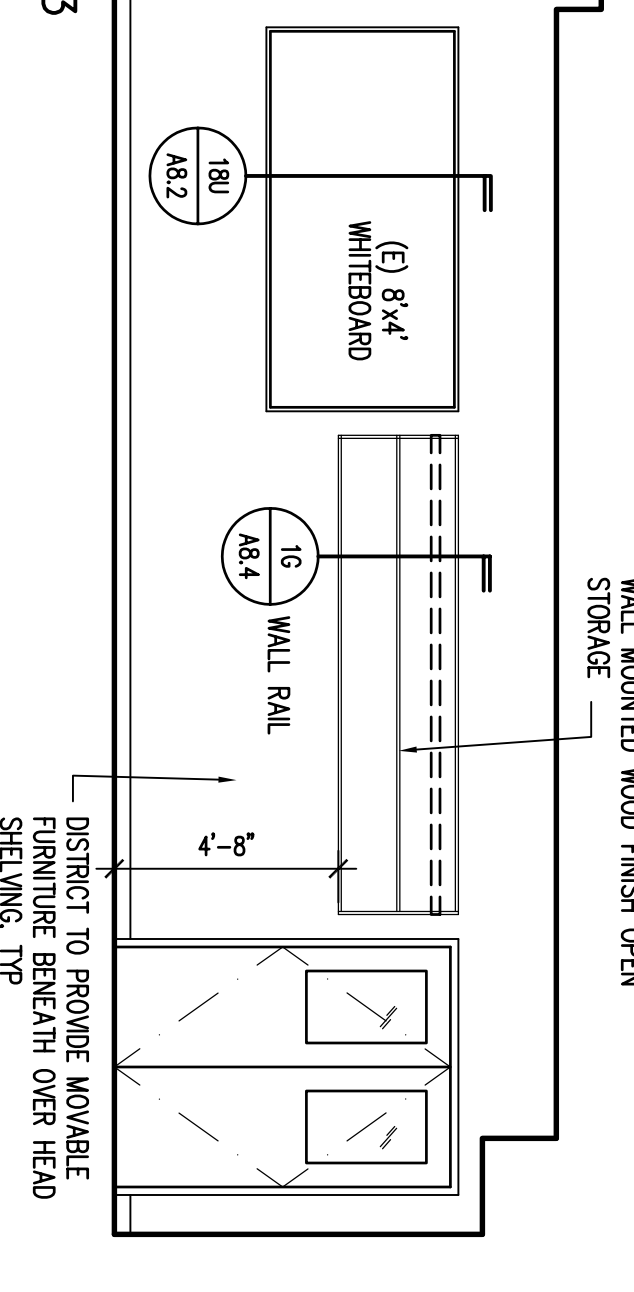
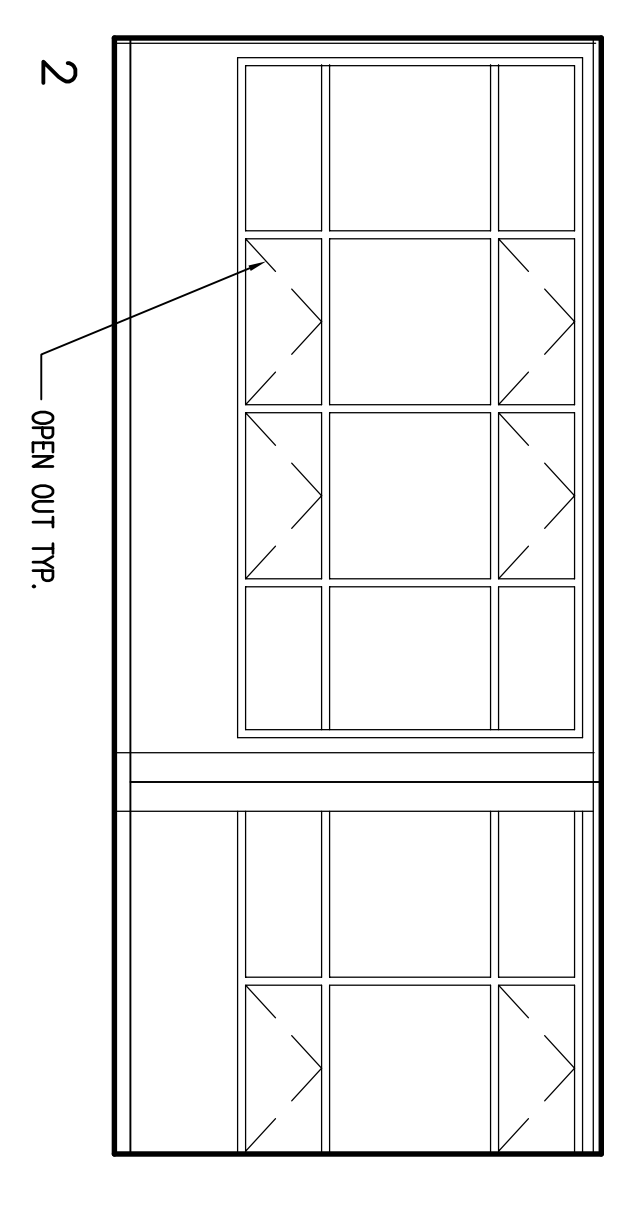
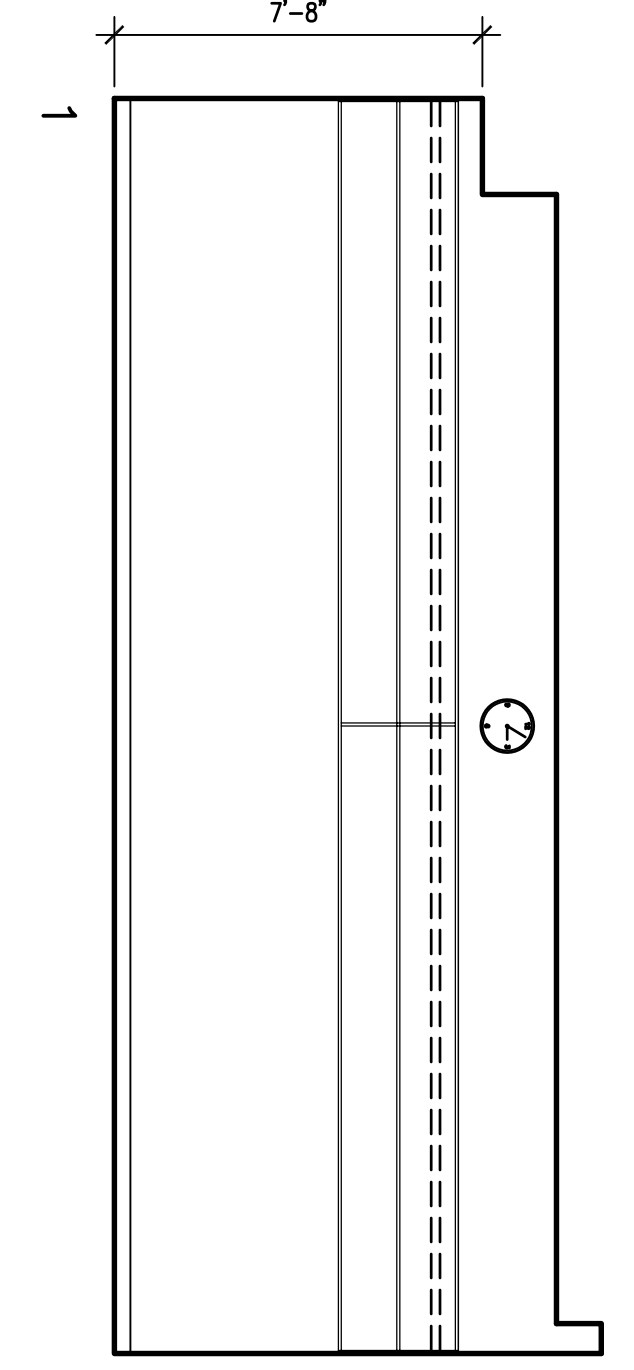


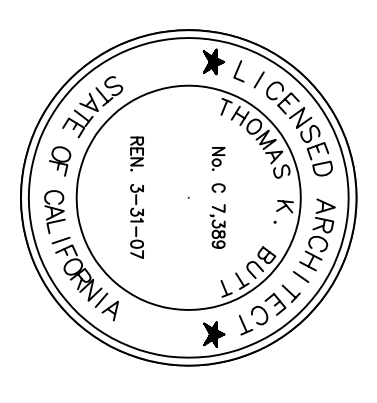
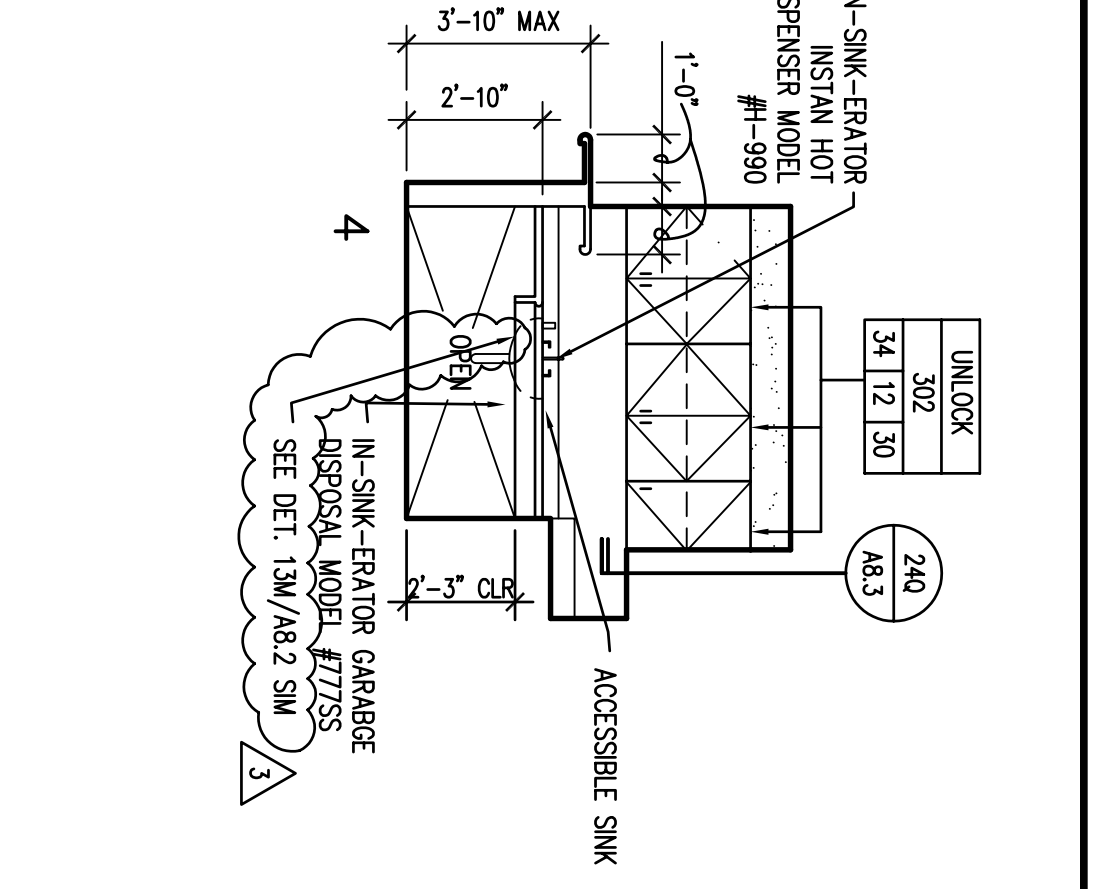
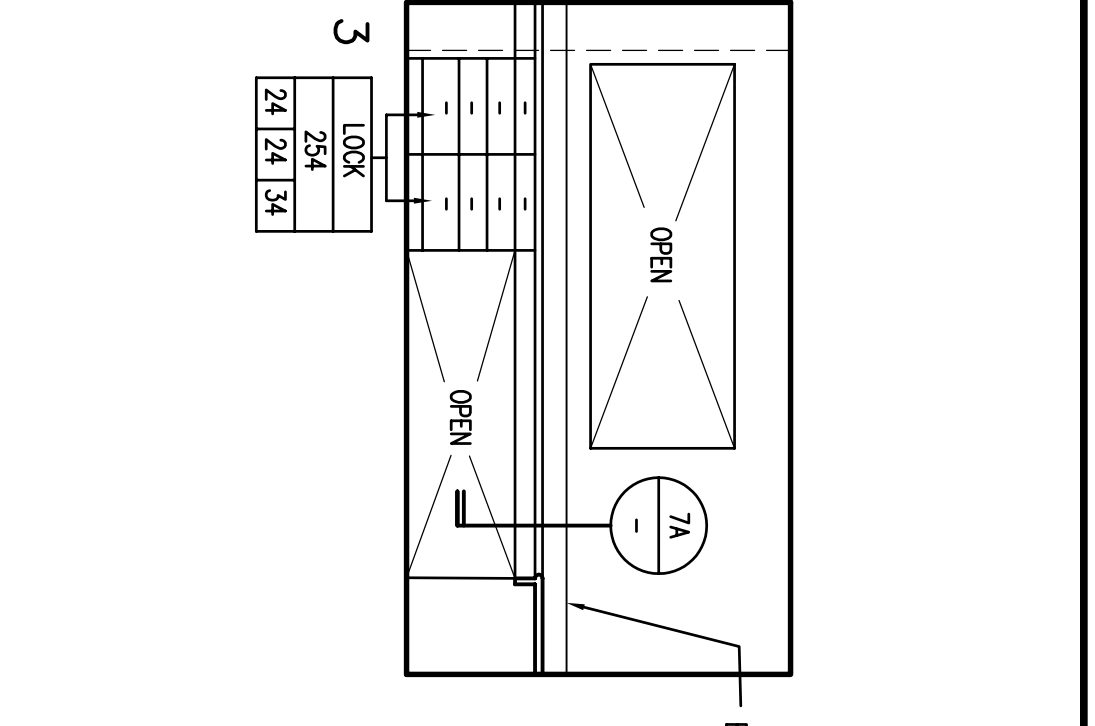
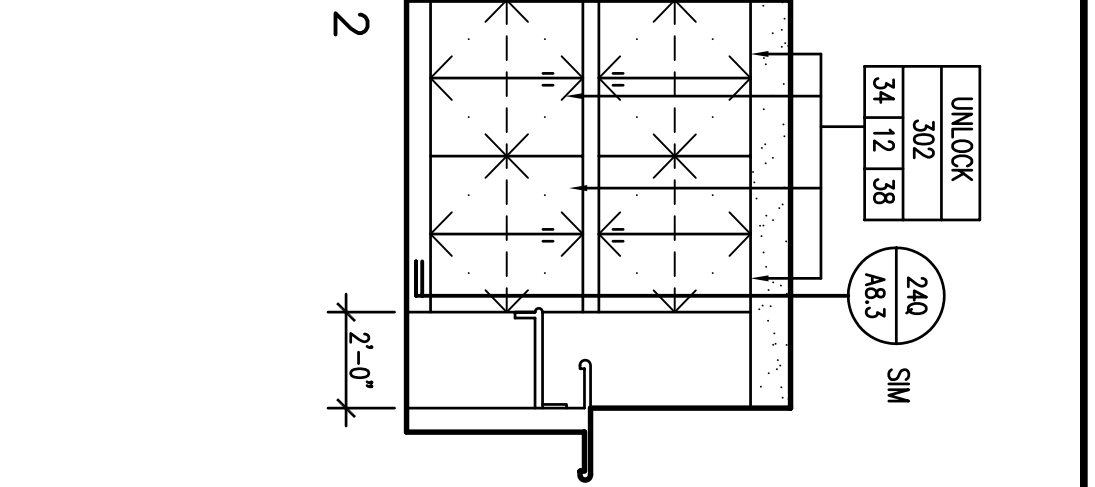
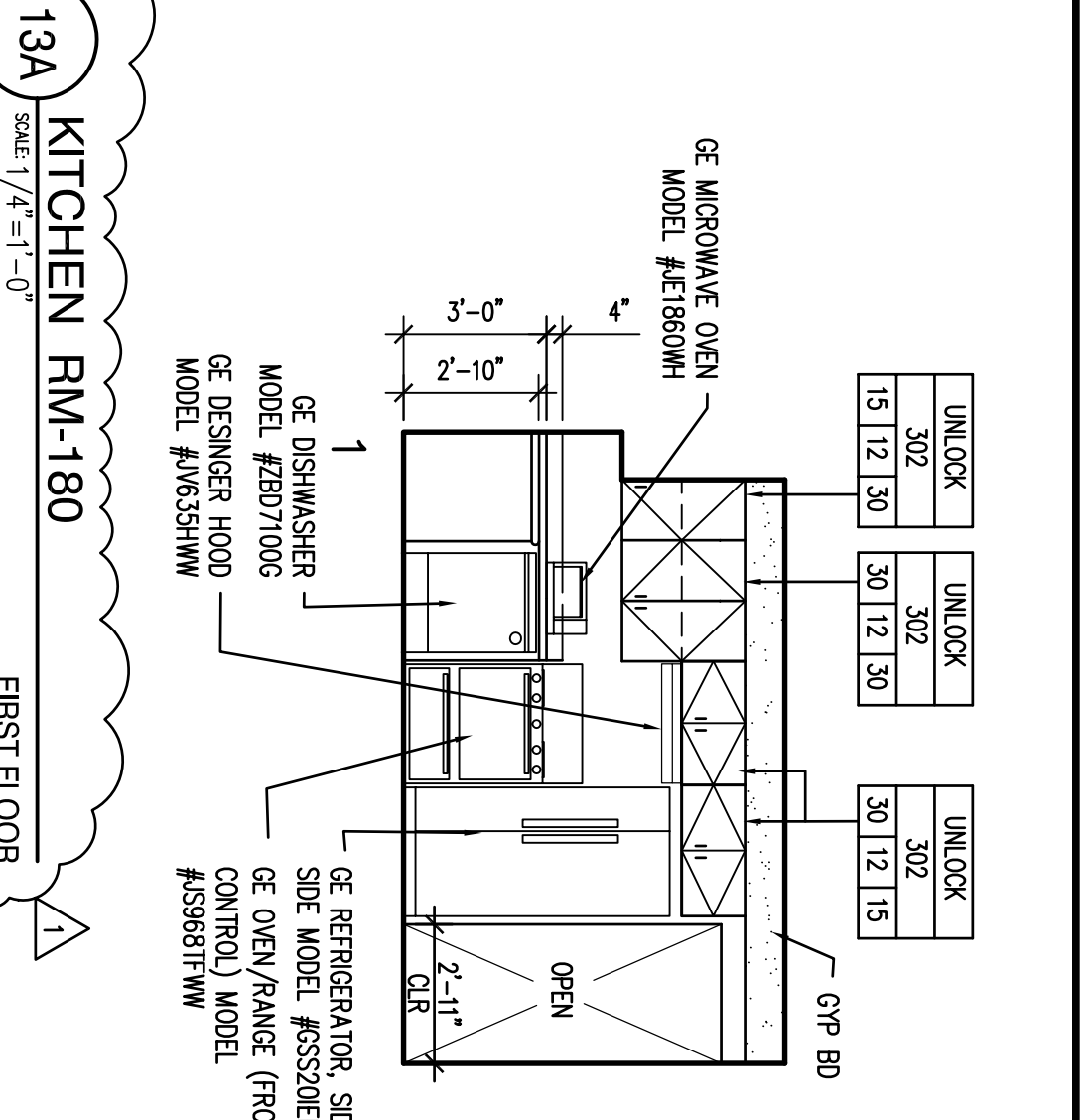
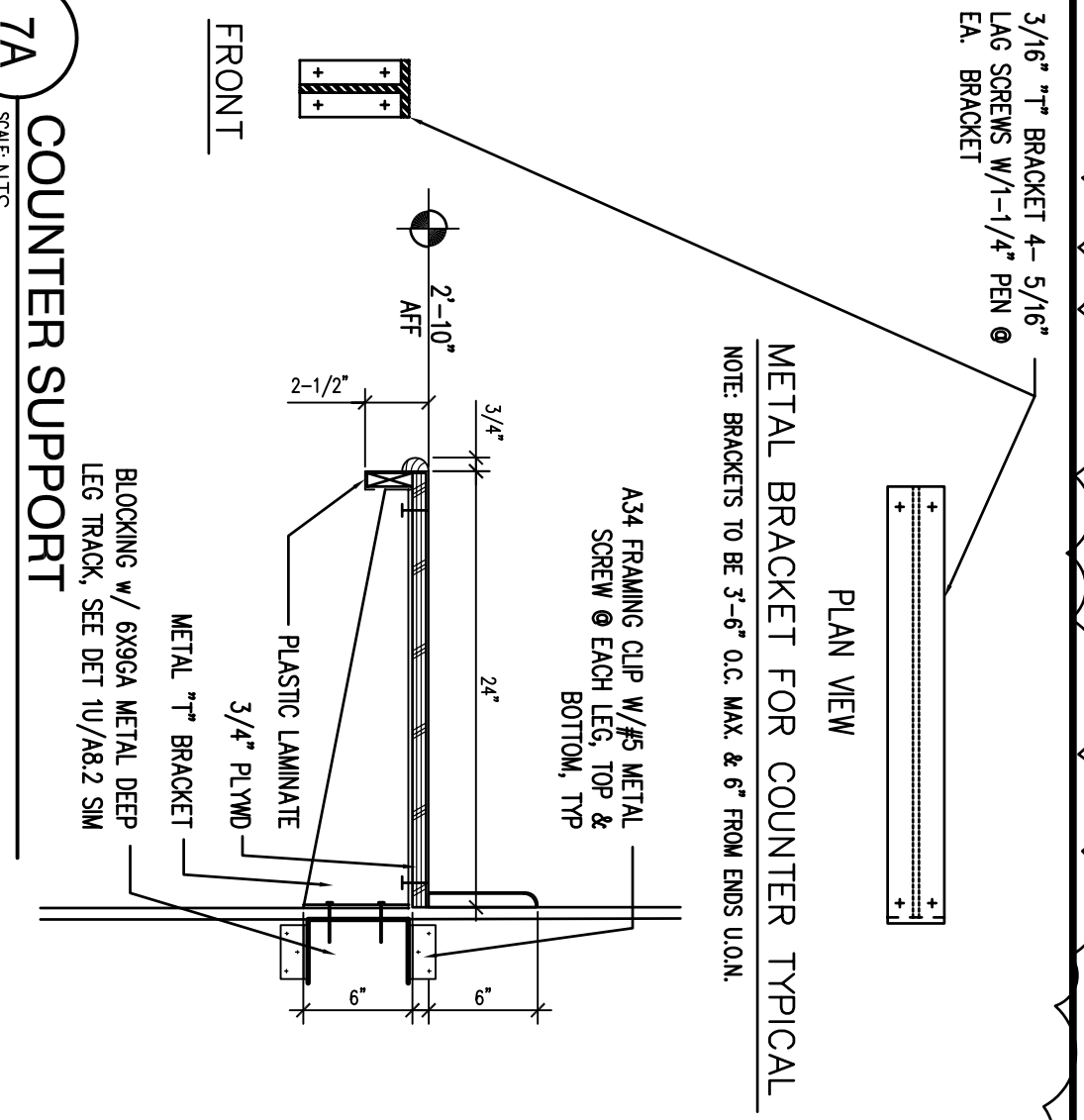
1V READING CENTER/WORK ROOM RM-89 & 91
FIRST FLOOR



1M READING CENTER RM-95
GROUND FLOOR



1F ENGLISH 800 RM-96
GROUND FLOOR



RECORD DRAWINGS	T&B 10/10/05
ADDENDUM	T&B 4/7/04
PRE-APPLICATION REVIEW	02/06/04
ISSUED FOR PLAN CHECK	03/03/04
ISSUED FOR PERMIT	03/03/04
ISSUED FOR BID	
ISSUED FOR CONSTRUCTION	

INTERACTIVE
ARCHITECTURE • PLANNING • ENGINEERING
117 PARK PLACE
POINT RICHMOND
CALIFORNIA 94801
(910) 238-7435
(FAX) 232-5325
http://www.interactive.com

BUILDING NO. 18
(NORTH HALL)
MODERNIZATION
COLLEGE OF SAN MATEO
1700 WEST HILLSDALE BLVD,
SAN MATEO, CA 94402

SAN MATEO CO. COMMUNITY COLLEGE DISTRICT
DW. OF THE STATE ARCHITECT
APPL 106047
APPROVED
APPL 106047
DATE: 1/3 SS

INTERIOR ELEVATIONS
MOD
A5.2