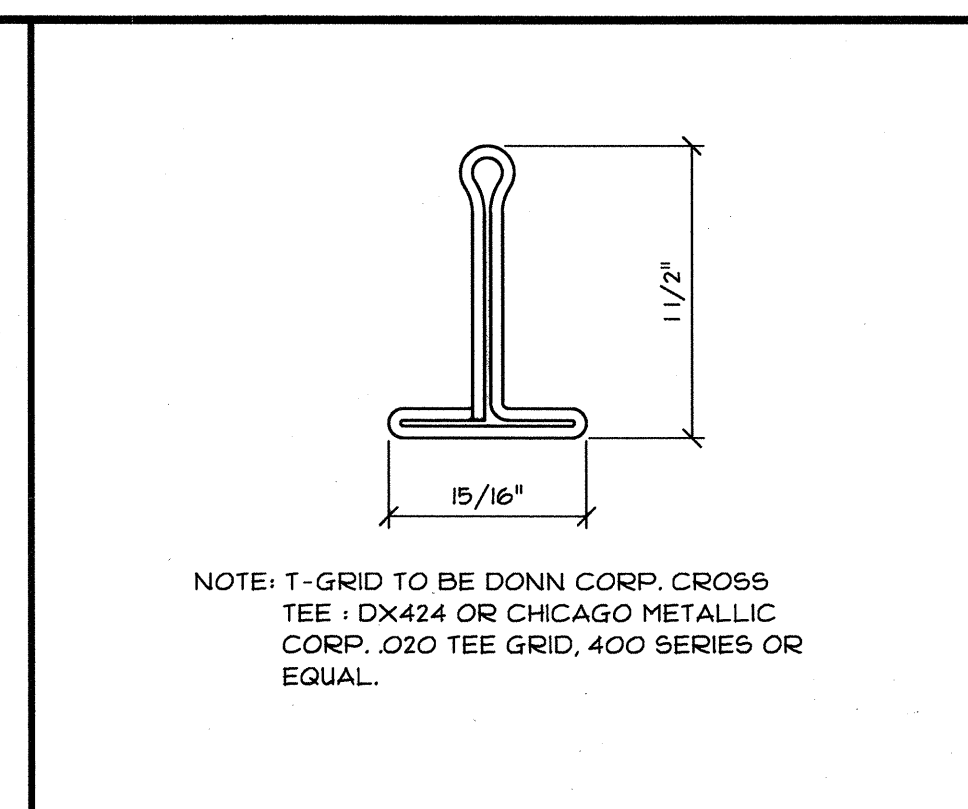
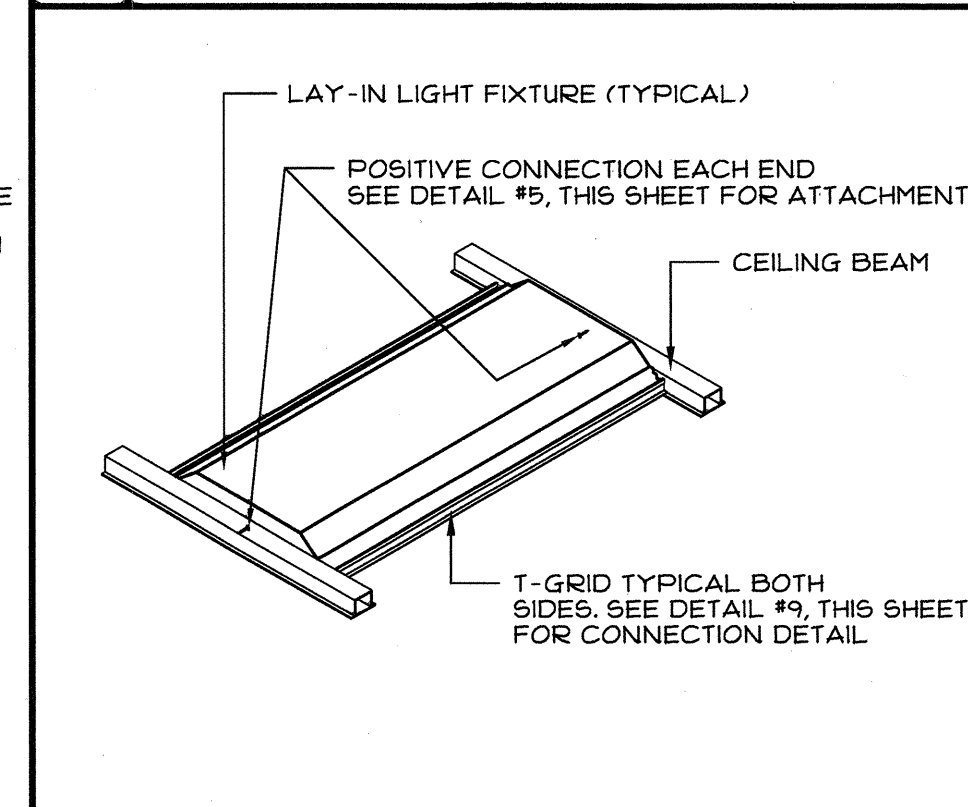


NOTE: CEILING TILE & LIGHTING SYSTEM IN THIS MODULE ARE NOT SUSPENDED. THE BUILDING HAS A FIXED CEILING AND LIGHTING FIXTURE SUPPORT SYSTEM WHICH IS MECHANICALLY FASTENED TO STEEL CEILING BEAMS.

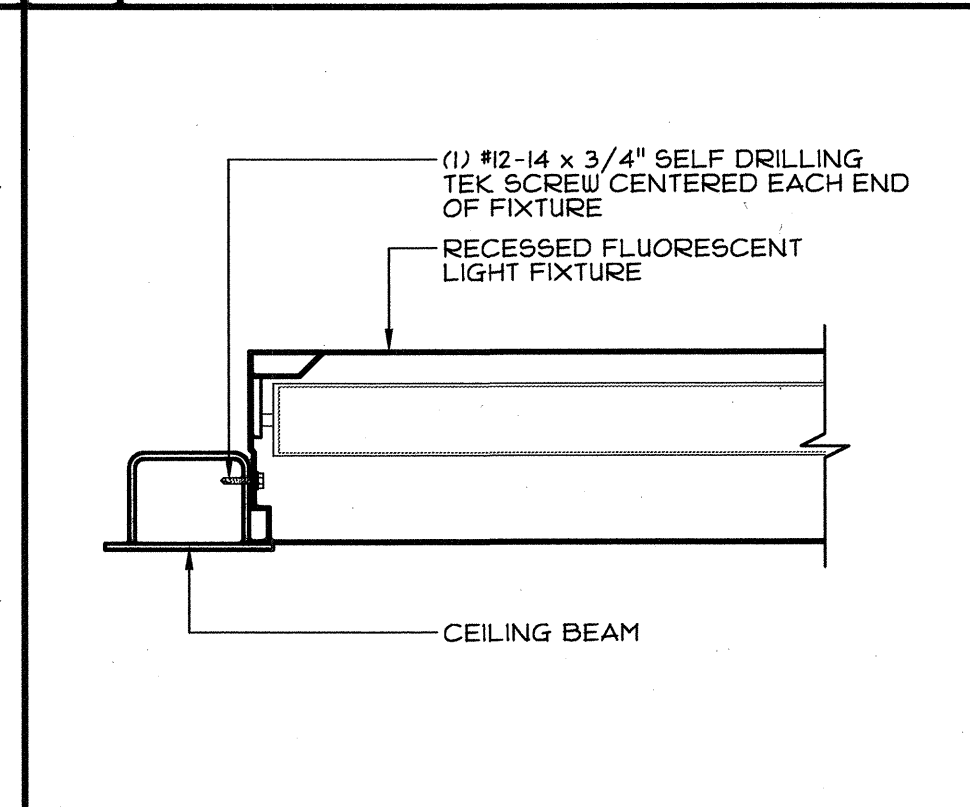
1 "BOYS / GIRLS" REFLECTED CEILING PLAN
SCALE: 1/4"=1'-0"



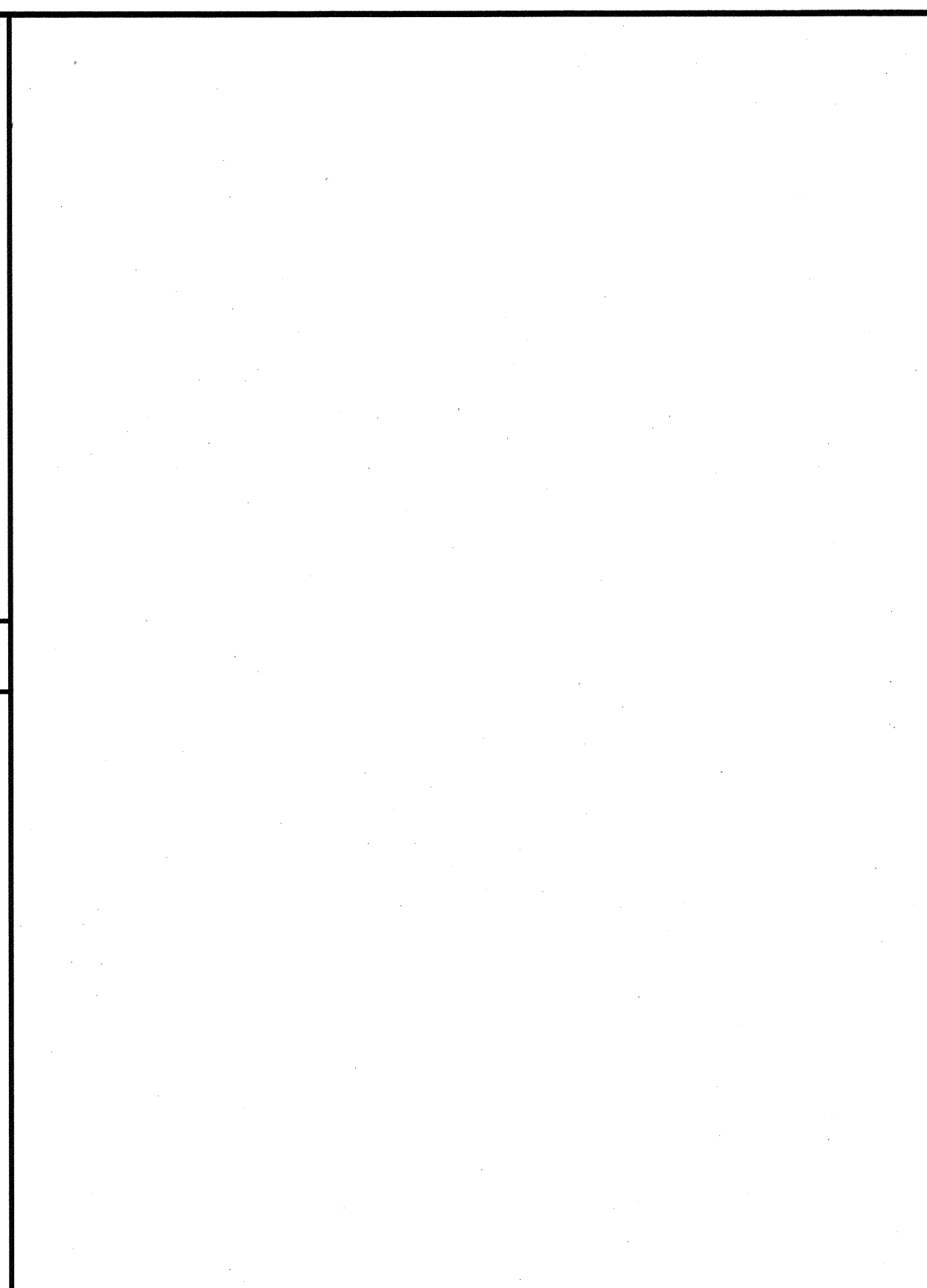
2 TYP. T-GRID SECTION
SCALE: FULL



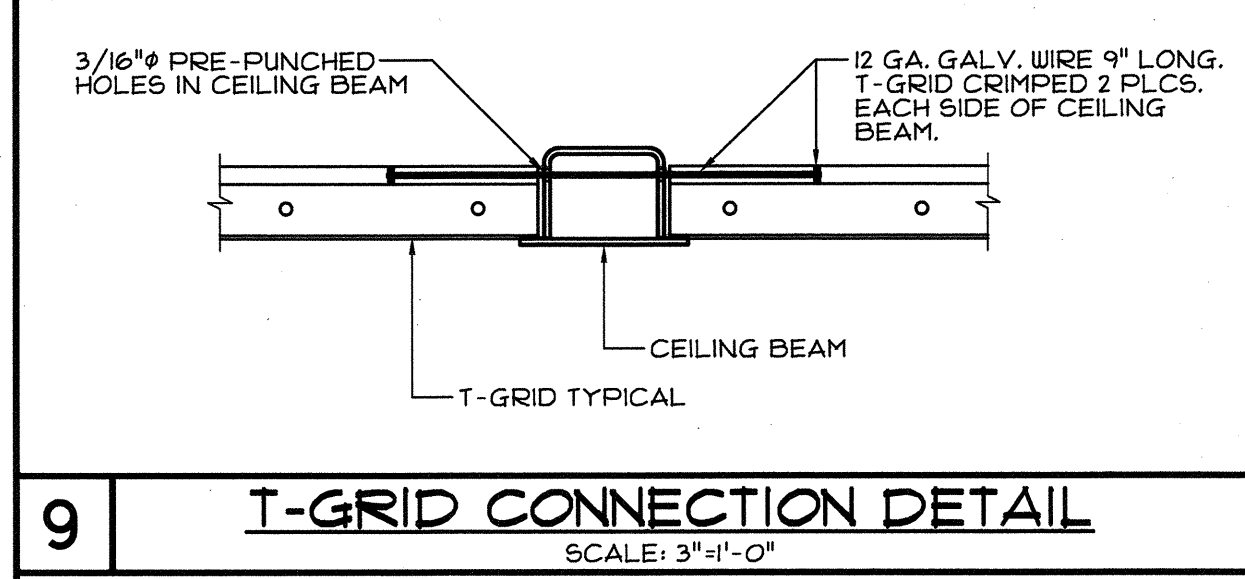
4 LAY-IN LIGHT FIXTURE
SCALE: 1/2"=1'-0"



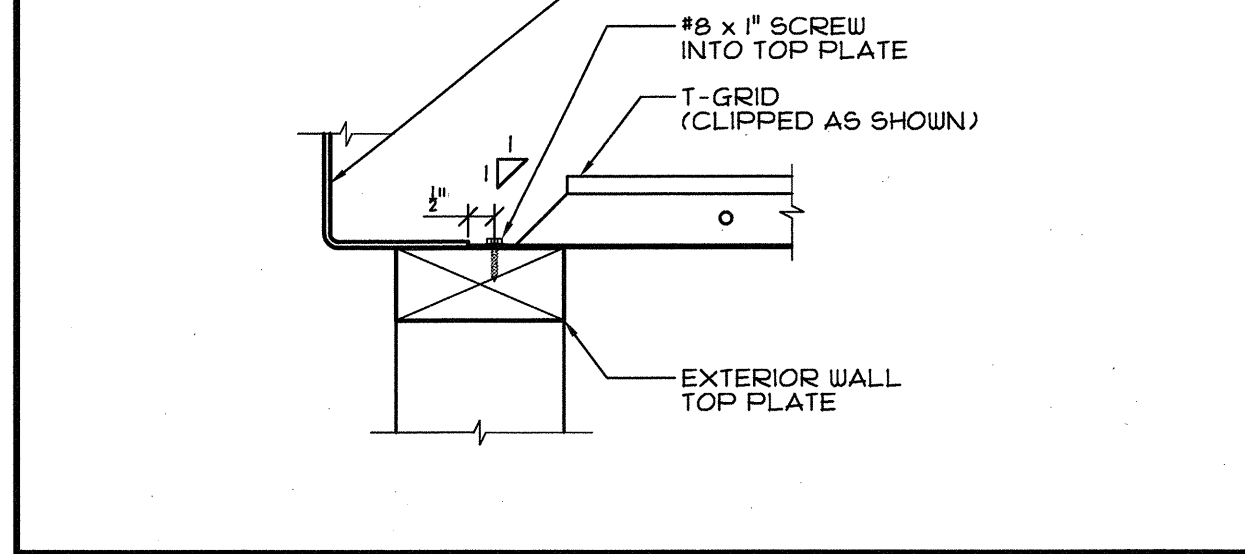
5 LIGHT FIXTURE SUPPORT
SCALE: 3/4"=1'-0"



8 T-GRID CONNECTION DETAIL
SCALE: 3/4"=1'-0"



9 T-GRID CONNECTION DETAIL
SCALE: 3/4"=1'-0"



10 T-GRID CONNECTION DETAIL
SCALE: 3/4"=1'-0"

6

7

APPROVALS

10 DIVISION OF THE STATE ARCHITECT

REV / DATE:

JOB No.:	12-19
DRAWN BY:	JM
DATE:	07-18-12

THIS MODULAR BUILDING HAS BEEN ENGINEERED BY A REGISTERED STRUCTURAL ENGINEER AND REVIEWED & APPROVED BY THE DIVISION OF THE STATE ARCHITECT, FIRE & LIFE SAFETY AND ACCESS COMPLIANCE SECTION

A2

CYS
STRUCTURAL ENGINEERS INC.
1760 Creekside Oaks Dr., Suite 100
San Mateo, CA 94401
(415) 950-1556 FAX
www.cysinc.com

REGISTERED PROFESSIONAL ENGINEER
ARCHITECT
No. S2030
EXP. 9/30/13
STRUCTURAL
STATE OF CALIFORNIA

THESE DRAWINGS ARE PRELIMINARY AND NOT FOR CONSTRUCTION UNLESS STAMPED & SIGNED BY THE ENGINEER OF RECORD.

ENVIROPLEX, INC.
4777 E. CARPENTER ROAD STOCKTON, CA 95215, (209) 466-8000
RELOCATABLE RESTROOM BUILDINGS
FOR LA CANADA COLLEGE
SAN MATEO COMMUNITY COLLEGE DISTRICT

REFLECTED CEILING PLANS
& CEILING ATTACHMENT DETAILS

PRELIMINARY

CONFIDENTIAL MATERIAL—THESE DOCUMENTS ARE THE PROPERTY OF AND ARE NOT TO BE REPRODUCED OR DISTRIBUTED WITHOUT FULL KNOWLEDGE AND WRITTEN CONSENT FROM ENVIROPLEX, INC.
© COPYRIGHT ENVIROPLEX, INC. (ALL DRAWINGS PREPARED BY ENVIROPLEX, INC.)