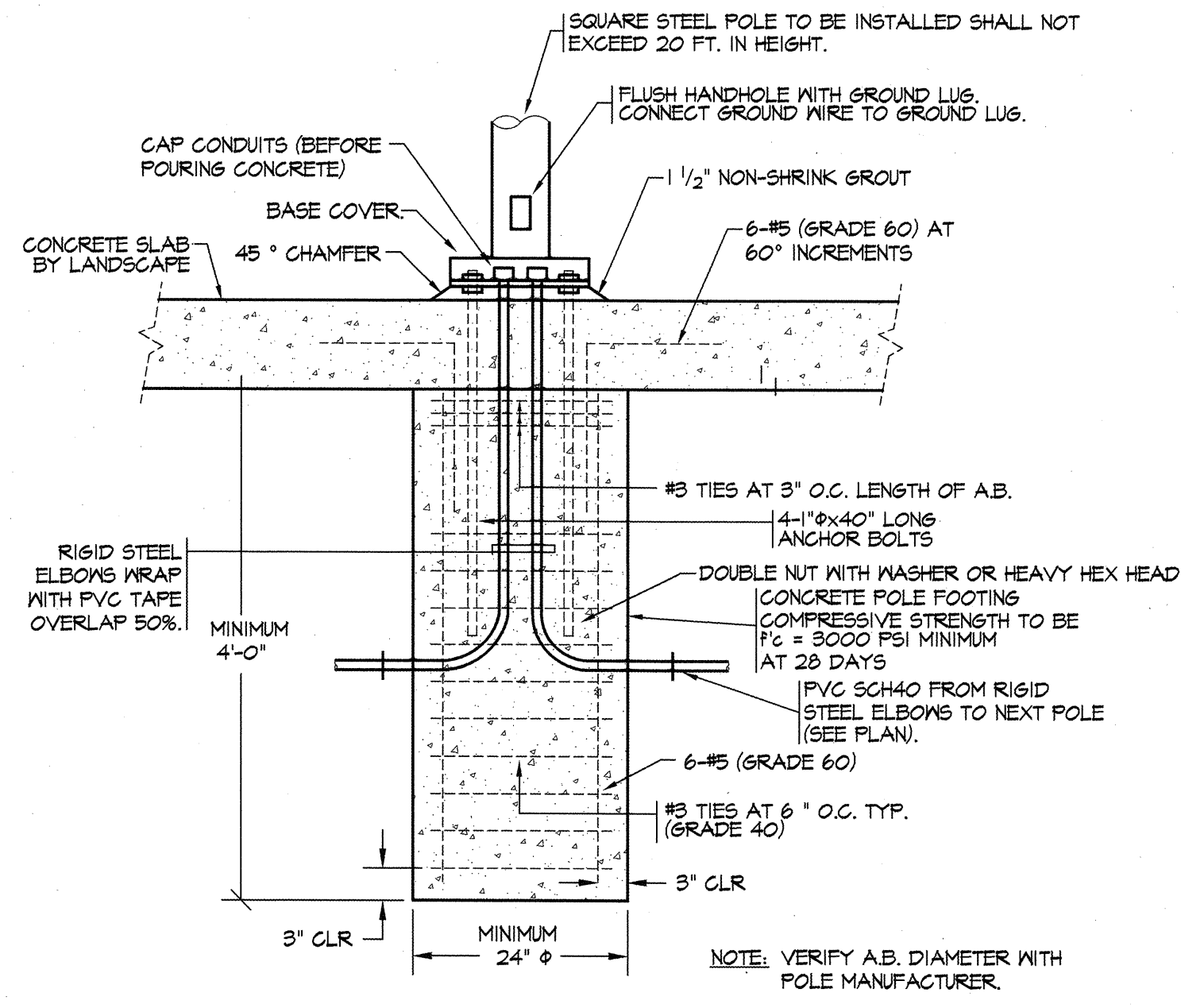


ALL IDEAS, DESIGNS, ARRANGEMENTS, AND PLANS INDICATED OR REPRESENTED BY THIS DRAWING ARE OWNED BY AND THE PROPERTY OF VERDE DESIGN, INC. AND WERE CREATED, EVALUATED, AND DEVELOPED FOR USE ON AND IN CONNECTION WITH THE SPECIFIED PROJECT. NONE OF SUCH IDEAS, DESIGNS, ARRANGEMENTS OR PLANS SHALL BE USED, REPRODUCED, OR PUBLISHED BY ANY METHOD, IN WHOLE OR IN PART, OR DISCLOSED TO ANY PERSON, FIRM, OR CORPORATION FOR ANY PURPOSE WHATSOEVER WITHOUT WRITTEN PERMISSION OF VERDE DESIGN, INC.



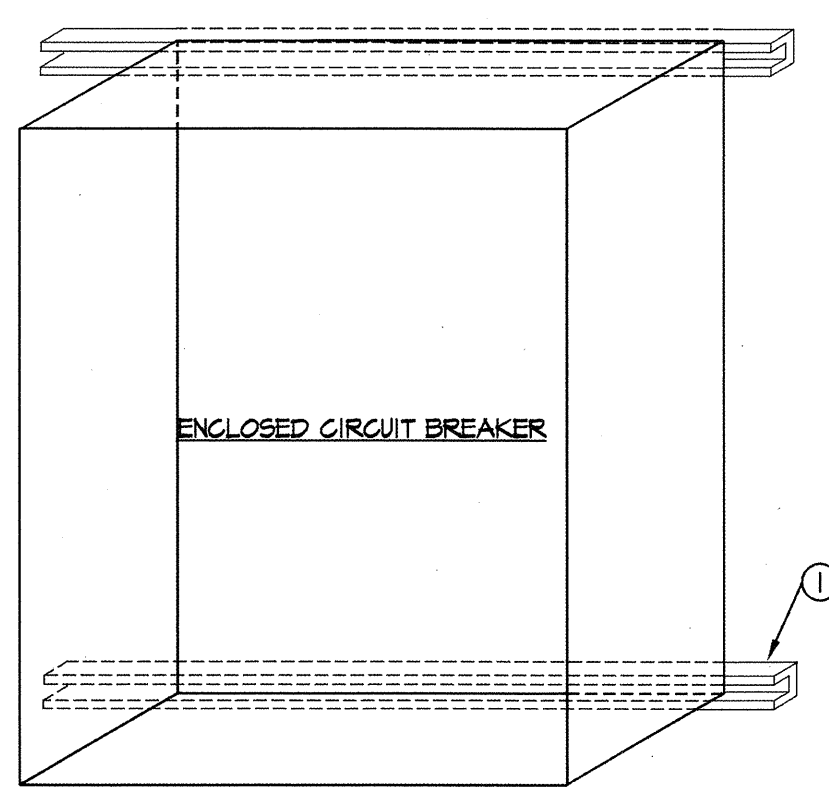
**PEDESTRIAN LOT POLES:**  
 SINGLE HEAD FIXTURES WITH 20', 5" SQUARE POLE  
 EPA: 1.2 sqft  
 WT: 42 LBS PER HEAD

**1**  
**FLUSH POLE BASE**  
**DETAIL IN SIDEWALK**

**E4.2**

SCALE: NOT TO SCALE

NOTE: SINCE THE POLES ARE LESS THAN 35' TALL, THEY ARE NOT REVIEWED BY DSA.  
 SEE ARCHITECTURAL DETAIL 30/A10.11 FOR 34' HIGH POLE BASE INFORMATION.



① CHANNEL 1 3/8" x 1 3/8", SUPPORT TO EXISTING STRUCTURE STUDS W/ 3/8" x 2" L6 LAG SCREWS (4) PER CHANNEL. LAG SCREWS SHALL PENETRATE COMPLETELY.

**2**  
**ENCLOSED CIRCUIT BREAKER INSTALLATION**

**E4.2**

NOT TO SCALE



**VERDE DESIGN**

LANDSCAPE ARCHITECTURE  
 CIVIL ENGINEERING  
 SPORT PLANNING & DESIGN

2455 The Alameda  
 San Jose, CA 95050  
 tel: 408.985.7200  
 fax: 408.985.7260  
 www.VerdeDesignInc.com

STAMP



CONSULTANT



**American Consulting Engineers, Inc.**

1500 The Alameda, Suite 200  
 San Jose, CA 95128  
 Tel: 408/235-2312  
 Fax: 408/235-2316  
 JOB #E12249.00



SHEET TITLE

**ELECTRICAL DETAILS**

PROJECT NAME

**CANADA COLLEGE  
 TENNIS FACILITY  
 IMPROVEMENTS**

PROJECT ADDRESS

**4200 FARM HILL BLVD  
 REDWOOD CITY, CA 94061**

SUBMITTAL	DATE
90%	07/30/12
BID SUBMITTAL	08/21/12
ADDENDUM ONE	08/31/12
CONFORM SET	09/24/12

NO.	REVISIONS	DATE

DRAWN BY: **MM** CHECKED BY: **SF**

DATE ISSUED: **08/21/12** SCALE: **AS NOTED**

PROJ. NO.: **1207300-1281**

SHEET NO.: **E4.2** 34 OF 39 SHEETS