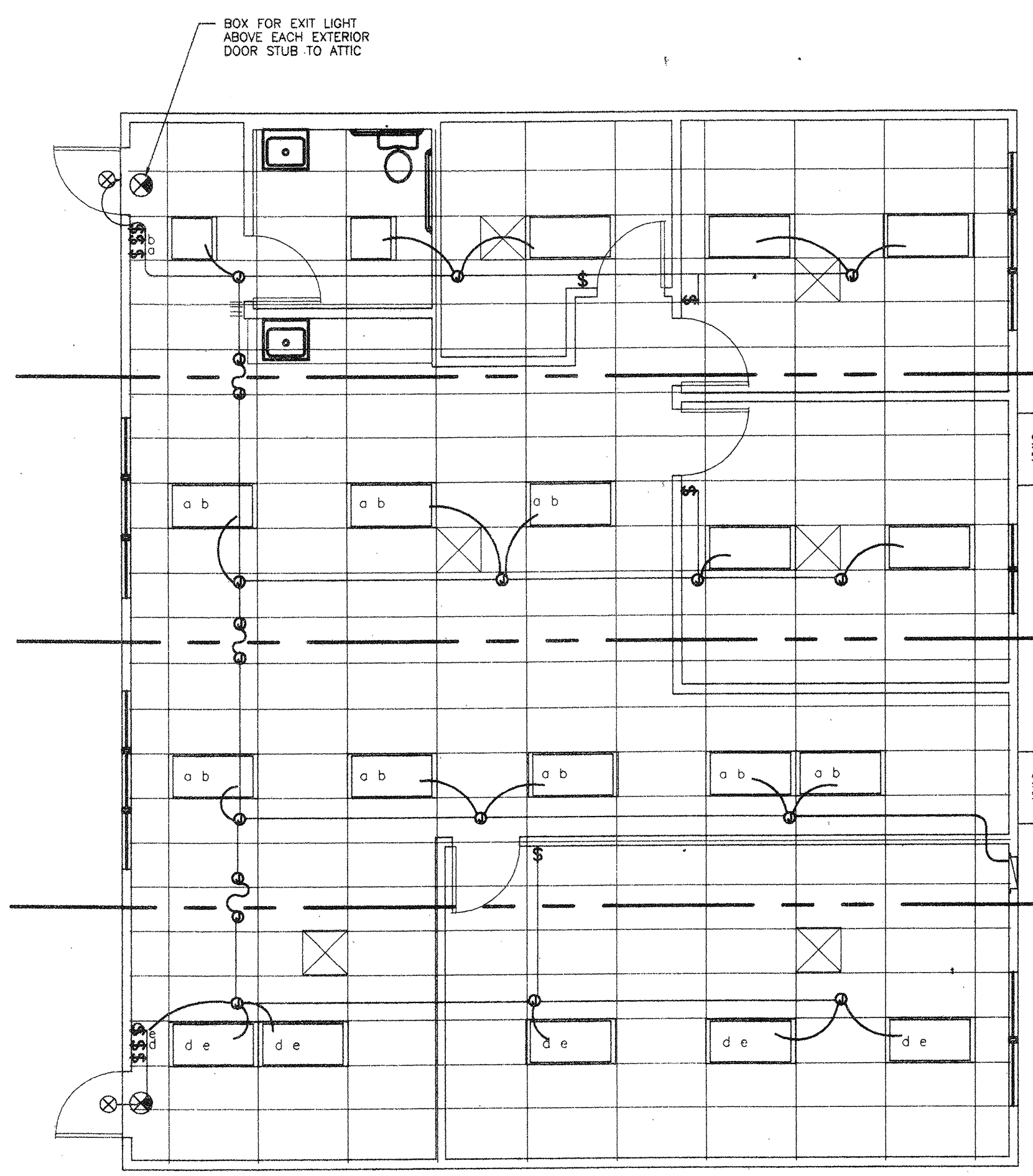
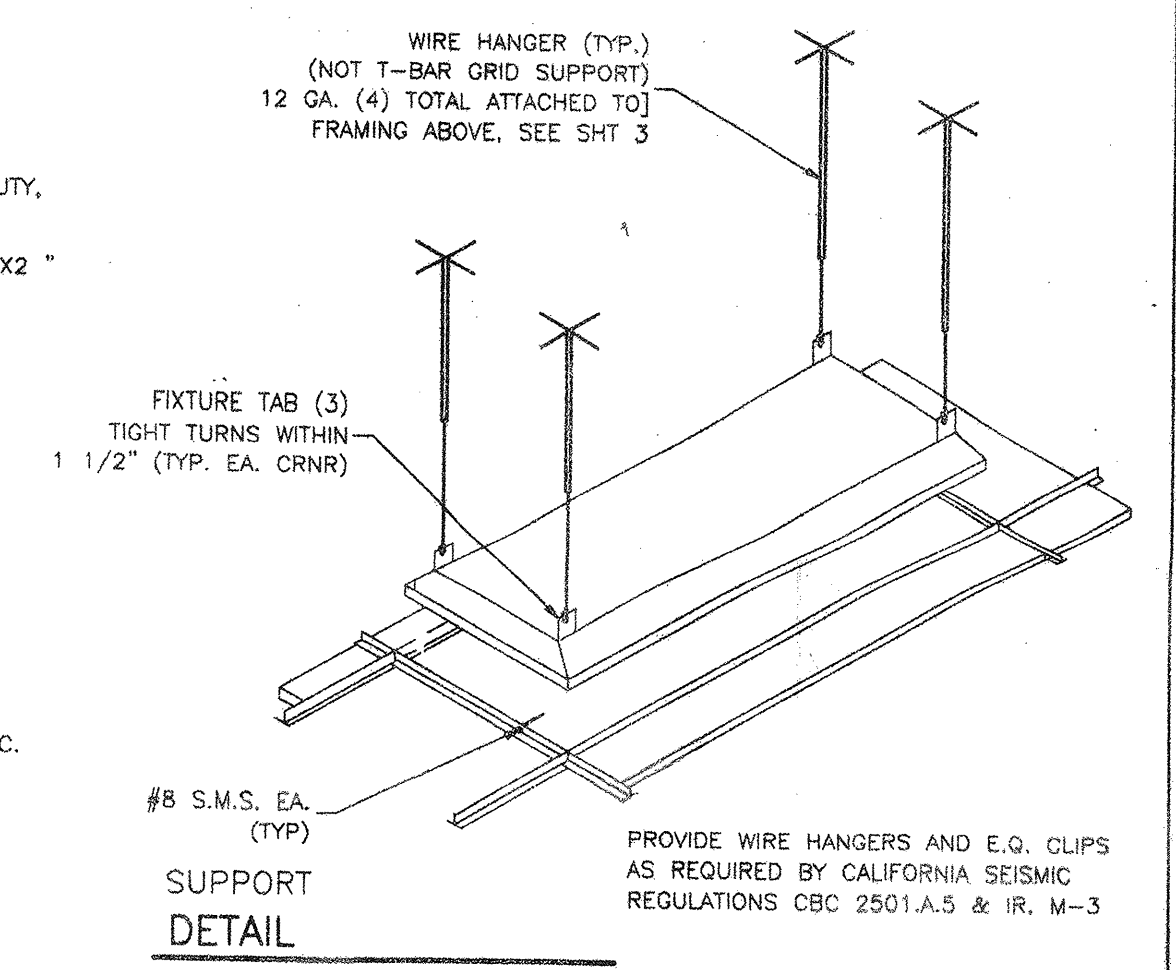


SYMBOL	DESCRIPTION	WATTS	MANUFACTURER
	2'x4' FLOURESCENT DROP IN FIXTURE, ACRYLIC PRISMATIC LENS. ENERGY SAVING BALLAST. (4)35 WATT TUBES, WT. 27 LBS.	156 W	CRESCENT 24TF44ODLA
	7 WATT SURFACE MOUNTED EXTERIOR LIGHT WITH IMPACT RESISTANT ENCLOSURE. .125 THICK CLEAR PRISMATIC ONE PIECE LENS W/ NEOPRENE GASKET & "POSGRIP" STAINLESS STEEL SCREWS	(2) 7 WATT	KENALL OR HUBBELL

SEE TYPICAL CLASSROOM LAYOUT FOR LOCATIONS OF ALL DEVICES. FIXTURE MOUNTING SHALL COMPLY WITH CALIFORNIA SEISMIC REGULATIONS.

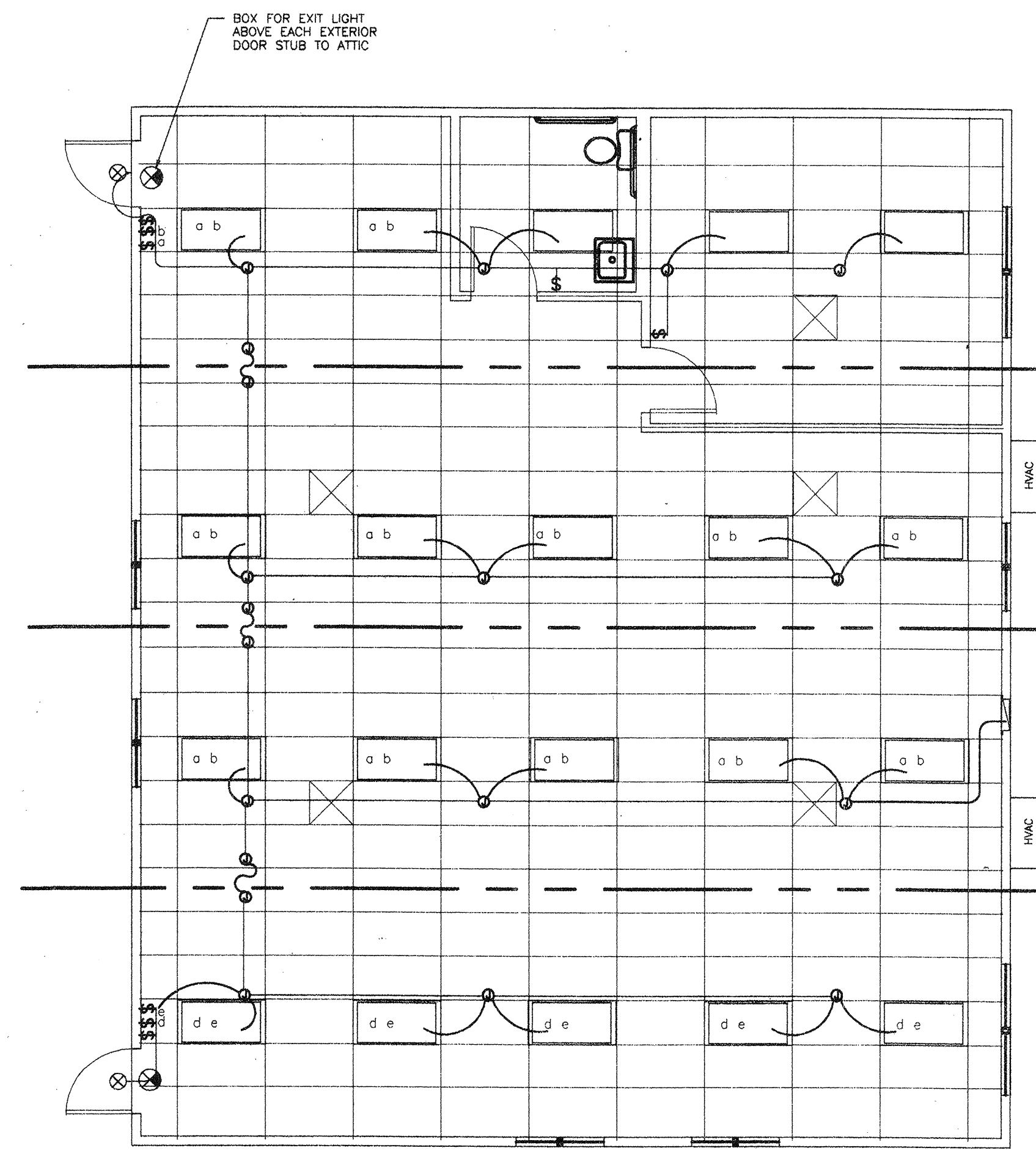
STANDARD ELECTRICAL SYMBOLS

- FLUORESCENT LIGHTING FIXTURE - SURFACE MOUNTED.
- FLUORESCENT LIGHTING FIXTURE - RECESSED.
- H.P.S. LIGHTING FIXTURE - WALL MOUNTED (EXTERIOR).
- INCANDESCENT LIGHTING FIXTURE - WALL MOUNTED (INTERIOR).
- DUPLEX WALL CONVENIENCE OUTLETS +18" TO CENTER LINE.
- SINGLE POLE LIGHT SWITCHES +48", HUBBELL PREMIUM, BRYANT HEAVY DUTY, OR LEVITON SPECIFICATIONS GRADE.
- ELECTRICAL CROSSOVER J-BOXES ABOVE T-BAR CEILING #1-4"x1", #22 4"x2"
- WALL CLOCK OUTLET WITH POWER OUTLET +84".
- SWITCH SUBSCRIPTS - @=DEVICE CONTROLLED.
- 15 AMP DUPLEX RECEPTACLE +18" TO CENTER LINE.
- JUNCTION BOX - SIZE AND TYPE AS REQUIRED.
- PANELBOARD - SEE SCHEDULE.
- TERMINAL CABINET - SIZE AND TYPE AS NOTED.
- CONDUIT CONCEALED IN CEILING OR WALL.
- CONDUIT CONCEALED BELOW FLOOR OR GRADE.
- HOMERUN TO RESPECTIVE PANEL TO TERMINAL.
- INDICATES 1#14 (GREEN) GROUND WIRE. OTHER SIZES AS INDICATED.
- BRANCH CIRCUIT WITHOUT FURTHER DESIGNATION IS A 2#14 WIRE CIRCUIT. FOR MORE THAN 2#14 WIRES AS FOLLOWS: ---3#14, ---4#14 ETC. FOR OTHER SIZES AS FOLLOWS: ---3#10, ---4#6 ETC.
- NOTE**
- FIXTURE IDENTIFICATION - LETTER INDICATES TYPE.
- N.I.E.S.** ABBREV. FOR NOT IN ELECTRICAL SECTION OF THESE PLANS AND SPEC'S.
- MT** ABBREV. FOR EMPTY CONDUIT WITH POLY PULL CORD.
- FUSED DISCONNECT SWITCH SIZE AS REQUIRED. PROVIDE FUSES AS RECOMMENDED BY EQUIPMENT SUPPLIER.
- [W.E.F.]** WALL MOUNTED EXHAUST FAN N.I.E.S. CONNECT AS REQUIRED.
- 50 AMP 250 VOLT RANGE RECEPTACLE.
- FIRE ALARM STATION - OUTLET ONLY, 4" SQ. BOX W/ SINGLE DEVICE RING AND COVER +48" CENTERLINE
- FIRE ALARM HORN - OUTLET ONLY - 4" SQ. BOX W/ SINGLE DEVICE RING AND COVER +90" A.F.F. AND NOT LESS THAN 6" BELOW FINISHED CEILING.
- FIRE ALARM VISUAL ALARM - OUTLET ONLY - 4" SQ. BOX W/ SINGLE DEVICE RING AND COVER BOTTOM +80" A.F.F. BUT NO GREATER THAN +96".
- SPEAKER - OUTLET ONLY - 4" SQ. BOX W/ SINGLE DEVICE RING AND COVER +84"
- INTERCOM TELEPHONE - OUTLET ONLY - 4" SQ. BOX W/ SINGLE DEVICE RING AND COVER +48"
- FIRE ALARM MINI HORN/STROBE - OUTLET ONLY - 4" SQ. BOX W/ SINGLE DEVICE RING AND COVER +80" MIN. AND NOT LESS THAN 6" BELOW FINISHED CEILING.



1 LIGHT-FIXTURE-PLAN
E1 3/16"=1'-0"

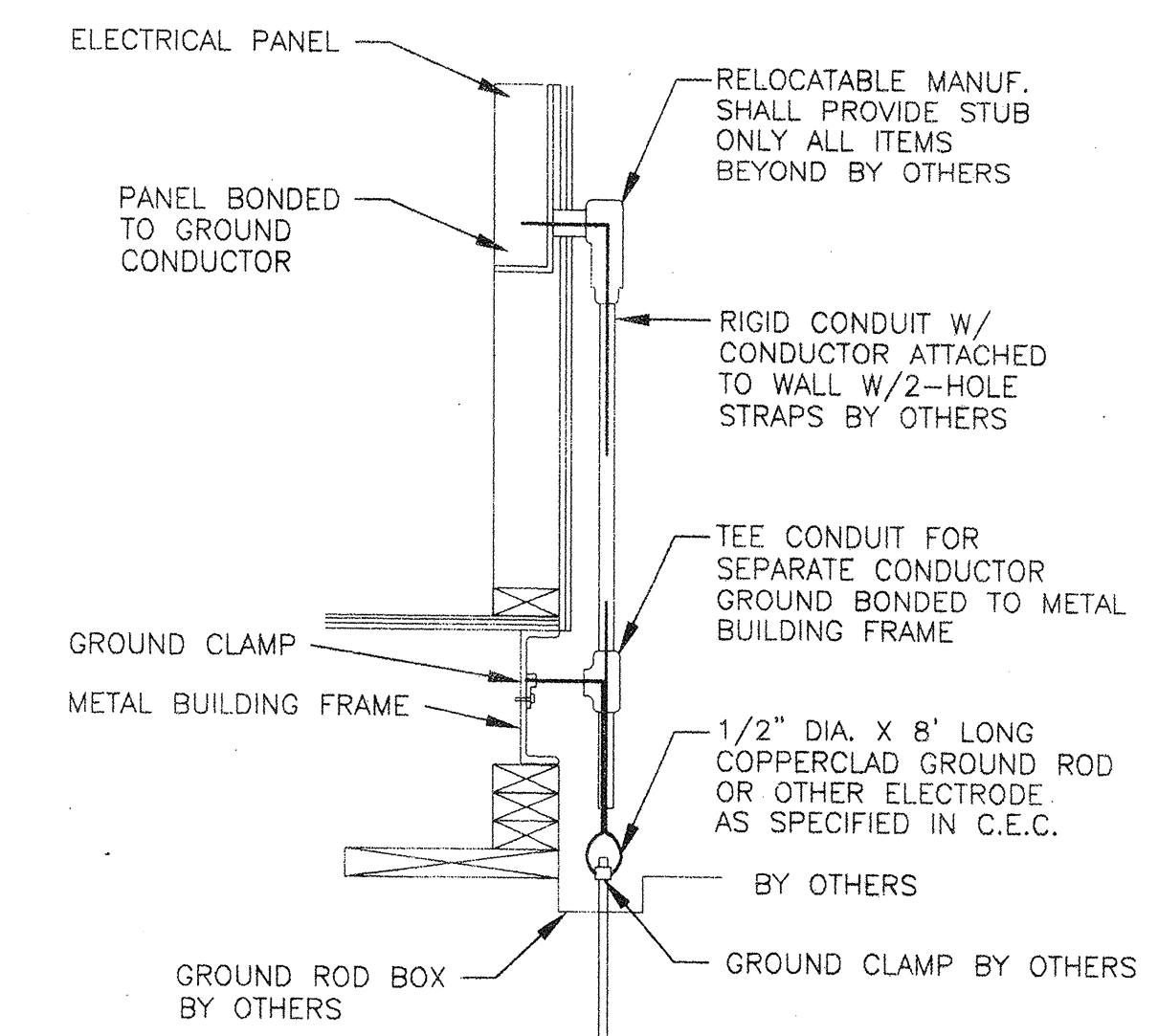
FLOOR PLAN #924



2 LIGHT-FIXTURE-PLAN
E1 3/16"=1'-0"

FLOOR PLAN #925

NOTE: #926 MIRROR OF #925



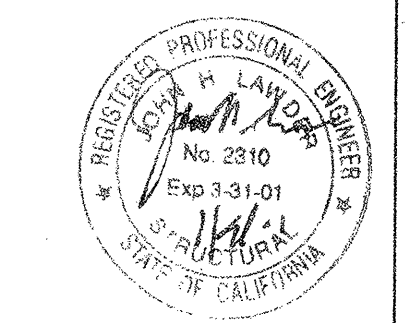
Size of conductors shall comply W/CEC Table Bond separate conductors from ground rod to electrical panel & metal building frame. In addition to the detail shown above, bond the electrical ground to metal water pipe embedded @ least 10' into the soil if available. Electrical bond modules together W/#8 CU @ modline. By manufacturer. Check resistance to ground. If resistance exceeds 25 OHMS, install additional ground rods as required. Grounding detail per DSA I-R M-5. The I.O.R. must witness the test.

A BUILDING GROUND DETAIL
E1 N.T.S.

VOLTS: 120/240 SINGLE PHASE		PANEL: A				LOCATION: INTERIOR		FEED: EXTERIOR LB	
MAIN: 200 AMP MAIN BKR.		BRK. C				MOUNTING: FLUSH			
LOAD		WATTS		AMP		WATTS		LOAD	
LIGHTS, FLUORESCENT	730	15	1.1						
DUPLEX RECEPT.	600	15	1.3			2880	A/C HVAC UNIT		
LIGHTS, FLUORESCENT	730	15	1.5			2880			
LIGHTS, FLUORESCENT	730	15	1.7			2880	A/C HVAC UNIT		
DUPLEX RECEPT.	600	15	1.9			2880			
DUPLEX RECEPT.	600	15	1.9						
LIGHTS, FLUORESCENT	800	15	1.4						SPACE
DUPLEX RECEPT.	800	15	1.5						
DUPLEX RECEPT.	600	15	1.5						
DUPLEX RECEPT.	600	15	1.7						
DUPLEX RECEPT.	600	15	1.7						
DUPLEX RECEPT.	600	15	1.8						
DUPLEX RECEPT.	600	15	1.8						
DUPLEX RECEPT.	600	15	1.9						
DUPLEX RECEPT.	600	15	1.9						
DUPLEX RECEPT.	600	15	2.0						
DUPLEX RECEPT.	600	15	2.1						
DUPLEX RECEPT.	600	15	2.2						
DUPLEX RECEPT.	600	15	2.3						
DUPLEX RECEPT.	600	15	2.4						
DUPLEX RECEPT.	600	15	2.5						
DUPLEX RECEPT.	600	15	2.6						
DUPLEX RECEPT.	600	15	2.7						
DUPLEX RECEPT.	600	15	2.8						
DUPLEX RECEPT.	600	15	2.9						
SPARE									
PHASE WATTAGE	3460	3930				5760	5760		PHASE WATTAGE
TOTAL WATTS "A" LEG: 9220						TOTAL WATTS A+B= 18910			TOTAL WATTS "B" LEG 9890
TOTAL WATTS: 18910						86	AMPS 120/240V		SINGLE PHASE 200AMP BUS.

FEEDERS: TO BE RUN BY THE DISTRICT EITHER UNDERGROUND OR OVERHEAD, SEE SITE ELEC. PLAN.

3 ELECTRICAL DISTRIBUTION PLAN
E1 1/4" = 1'-0"



NOTE
STUB OUT LOCATIONS FOR ELECTRICAL PANEL, FIRE ALARM, AND DATA BOXES. LOCATIONS SHOWN ARE DIAGRAMMATICAL ONLY. EXACT LOCATIONS MAY VARY +/- SEVERAL FEET. PLEASE CONTACT AMERICAN MODULAR SYSTEMS FOR EXACT LOCATIONS.

FILE NO.
IDENTIFICATION STAMP
DIV. OF THE STATE ARCHITECT
OFFICE OF REGULATION SERVICES
02-102739
AC. [Signature]
DATE: 1/98

BASED ON PC# 02-101835

48 X 40 PC
RELOCATABLE
CLASSROOMS



CUSTOMER:
MOBILE MODULAR MANAGEMENT CORP.
#924-#926

ELECTRICAL & LIGHTING PLAN & NOTES

DATE: 01-03-01
SCALE: NONE
DRAWN BY: M.H.
CHECKED BY:
CHECKED BY:
SERIAL NO.

REVISIONS					
NO	DATE	DESCRIPTION	NO	DATE	DESCRIPTION
△			△		
△			△		
△			△		
△			△		

PROJECT No.
SHEET No.
E 1