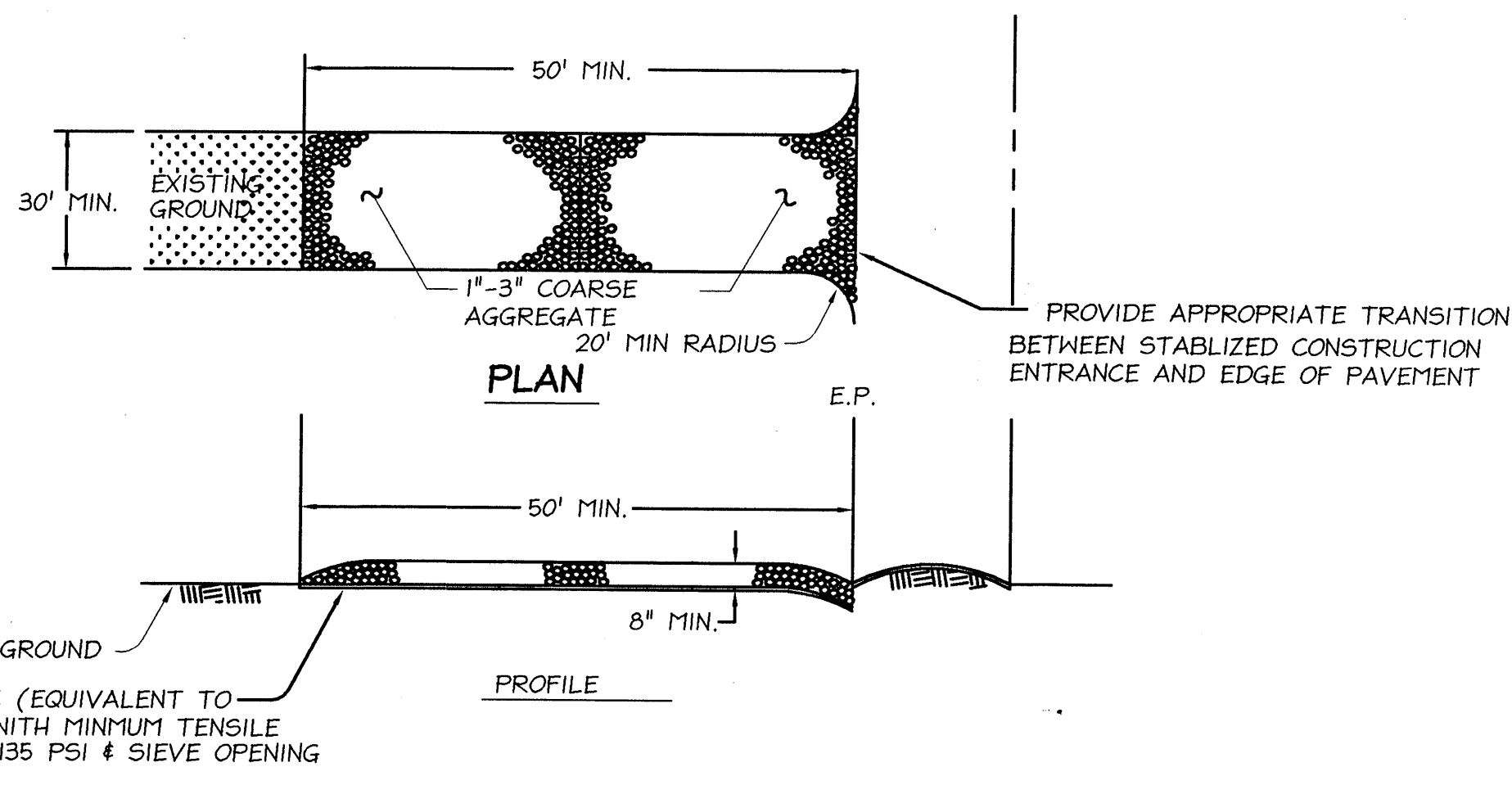


EROSION CONTROL NOTES

1. CONTRACTOR IS RESPONSIBLE FOR ALL ASPECTS OF "EROSION AND SEDIMENTATION CONTROL" AND SHALL INSTALL AND MAINTAIN ANY DEVICES AND MEASURES NECESSARY TO THE SATISFACTION OF THE INSPECTOR, DURING THE PERIOD OF OCTOBER 1 TO APRIL 15.
2. CONTRACTOR SHALL COMPLY WITH THE RULES, REGULATIONS AND SAFETY REQUIREMENTS OF THE U.S. FEDERAL OCCUPATIONAL SAFETY AND HEALTH ACT.
3. A STABILIZED CONSTRUCTION ENTRANCE SHALL BE INSTALLED PRIOR TO COMMENCEMENT OF GRADING, AS SHOWN ON THESE PLANS.
4. MATERIALS FOR EROSION CONTROL MEASURES SHALL BE STORED ON-SITE.
5. ALL EROSION CONTROL MEASURES SHALL BE PROMPTLY INSPECTED FOR DAMAGE FOLLOWING ALL RAIN STORMS, ANY DAMAGED ITEMS SHALL BE IMMEDIATELY REPAIRED OR REPLACED.
6. ALL GRADED OR DISTURBED AREAS SHALL BE PROTECTED BY TEMPORARY SEEDING, PERMANENT SEEDING, MULCHING OR OTHER SOIL STABILIZATION PRACTICES NO LATER THAN OCTOBER 15 AND/OR BEFORE THE RAINY SEASON BEGINS.
7. ALL GRADED OR DISTURBED AREAS THAT WILL BE IDLE DURING THE RAINY SEASON SHALL BE MULCHED AT THE MINIMUM RATE OF 2 TONS PER ACRE.



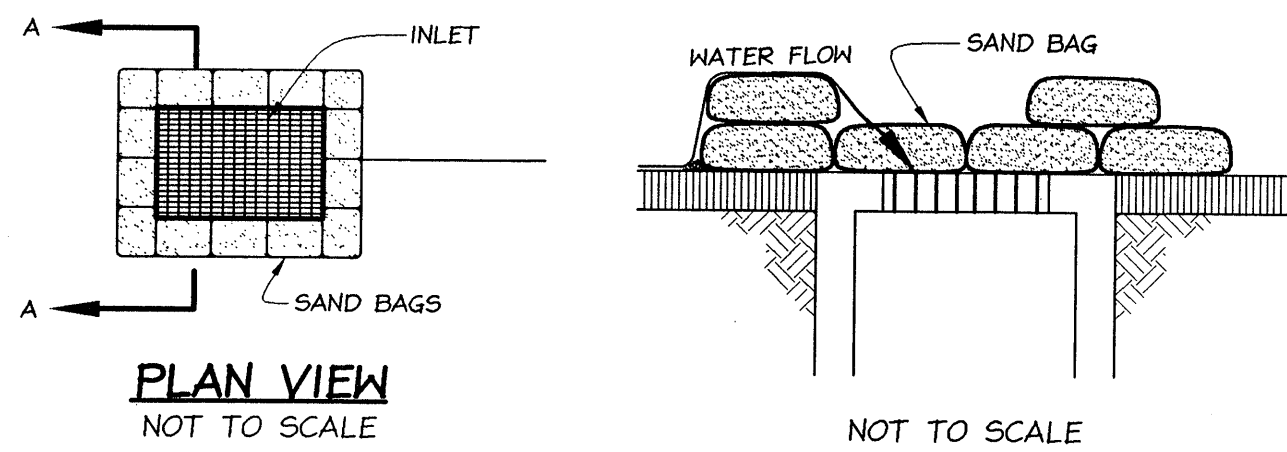
STABILIZED CONSTRUCTION ENTRANCE
NOT TO SCALE

NOTE: STABILIZED CONSTRUCTION ENTRANCE SHALL NOT BE USED AS A WASH-DOWN AREA.

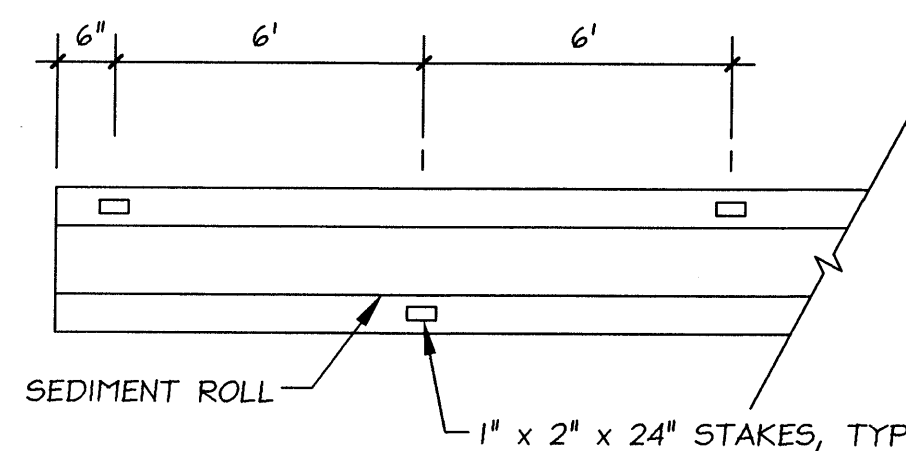
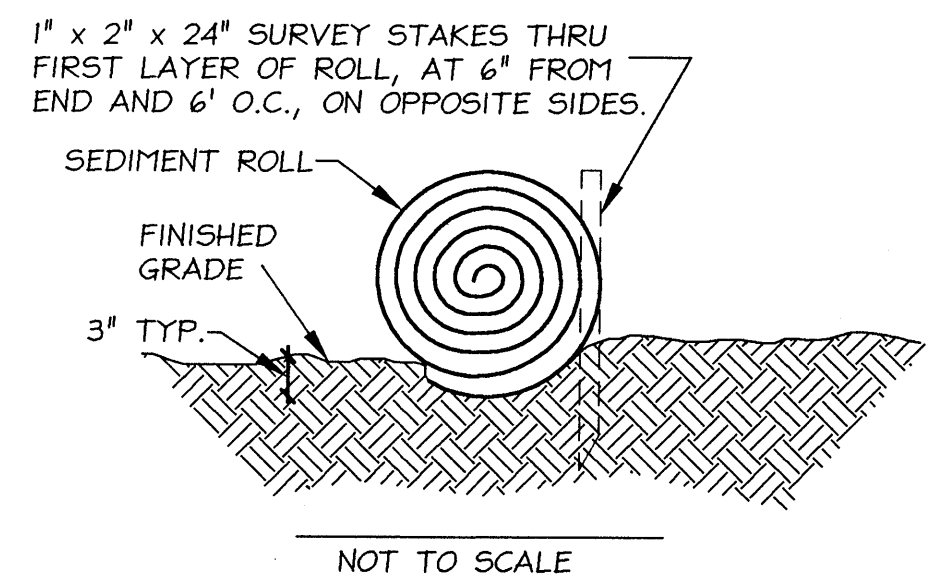
HYDROSEEDING NOTES

1. SEED AND MULCH WILL BE APPLIED BY OCTOBER 1 TO ALL DISTURBED SLOPES STEEPER THAN 2% AND HIGHER THAN 3 FEET, AND TO ALL CUT AND FILL SLOPES.
2. SEED AND FERTILIZER WILL BE APPLIED HYDRAULICALLY OR BY HAND AT THE RATES SPECIFIED BELOW. ON SLOPES, STRAW WILL BE APPLIED BY BLOWER OR BY HAND AND ANCHORED IN PLACE BY PUNCHING. APPLY HYDROSEED IN TWO STAGES THAT PUTS A TACKIFIER ON THE STRAW MULCH.

ITEM	POUNDS PER ACRE
'BLAND' BROME	30
ANNUAL RYEGRASS	20
FERTILIZER (16-20-0 AND 15% SULFUR)	500
STRAW MULCH	4,000



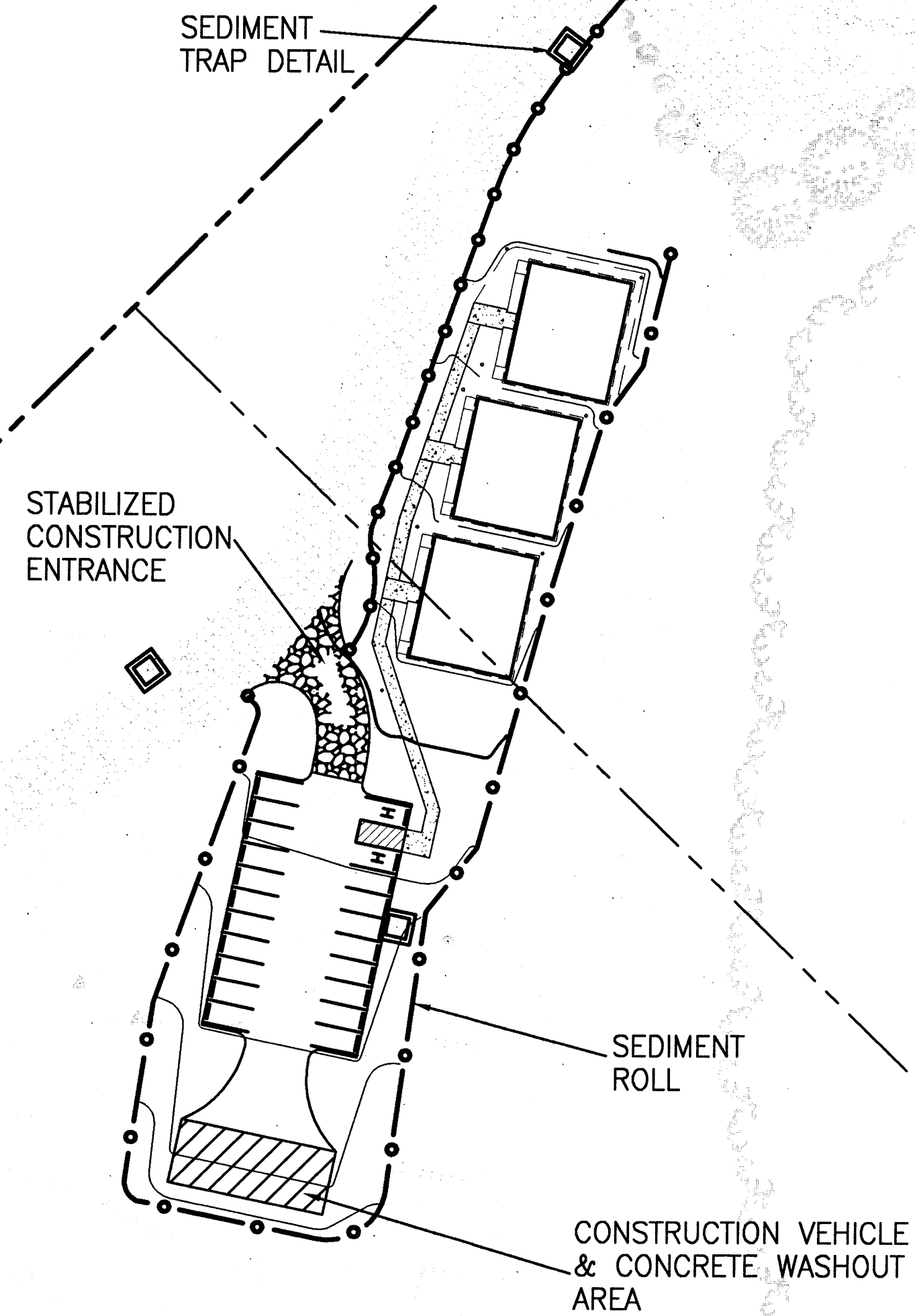
SEDIMENT TRAP DETAIL
NOT TO SCALE



SEDIMENT ROLL
NOT TO SCALE

- NOTES:
1. SEDIMENT ROLLS ARE TUBES MADE FROM BIO-DEGRADABLE MATERIAL WITH PHOTO-DEGRADABLE NETTING. THEY ARE 8 INCHES IN DIAMETER AND AS LONG AS CAN BE CONVENIENTLY PLACED.
 2. SEDIMENT ROLLS SHOULD BE PLACED INTO A TRENCH APPROXIMATELY 3\"/>

EROSION CONTROL PLAN



CITY APPROVAL

NO. BY DATE

PREPARED UNDER THE SUPERVISION OF

DAVID EVANS AND ASSOCIATES, INC.
5000 EXECUTIVE PARKWAY, SUITE 125
SAN RAMON, CALIFORNIA 94583
TEL: (925) 867-3380 FAX: (925) 867-3388

SCALE: AS SHOWN
DATE: 12/15/00
DRAWN BY: LTM
ENGINEER: MEW
CHECKED BY: MEW

PG.

INC.

SAN MATEO COUNTY COMMUNITY COLLEGE DISTRICT
EROSION CONTROL PLAN
WEST ED MODULAR BUILDINGS

CALIFORNIA
REDWOOD CITY
CAÑADA COLLEGE

SHEET NO. 5 OF 8 SHEETS
JOB No. SMCC0000-0003

