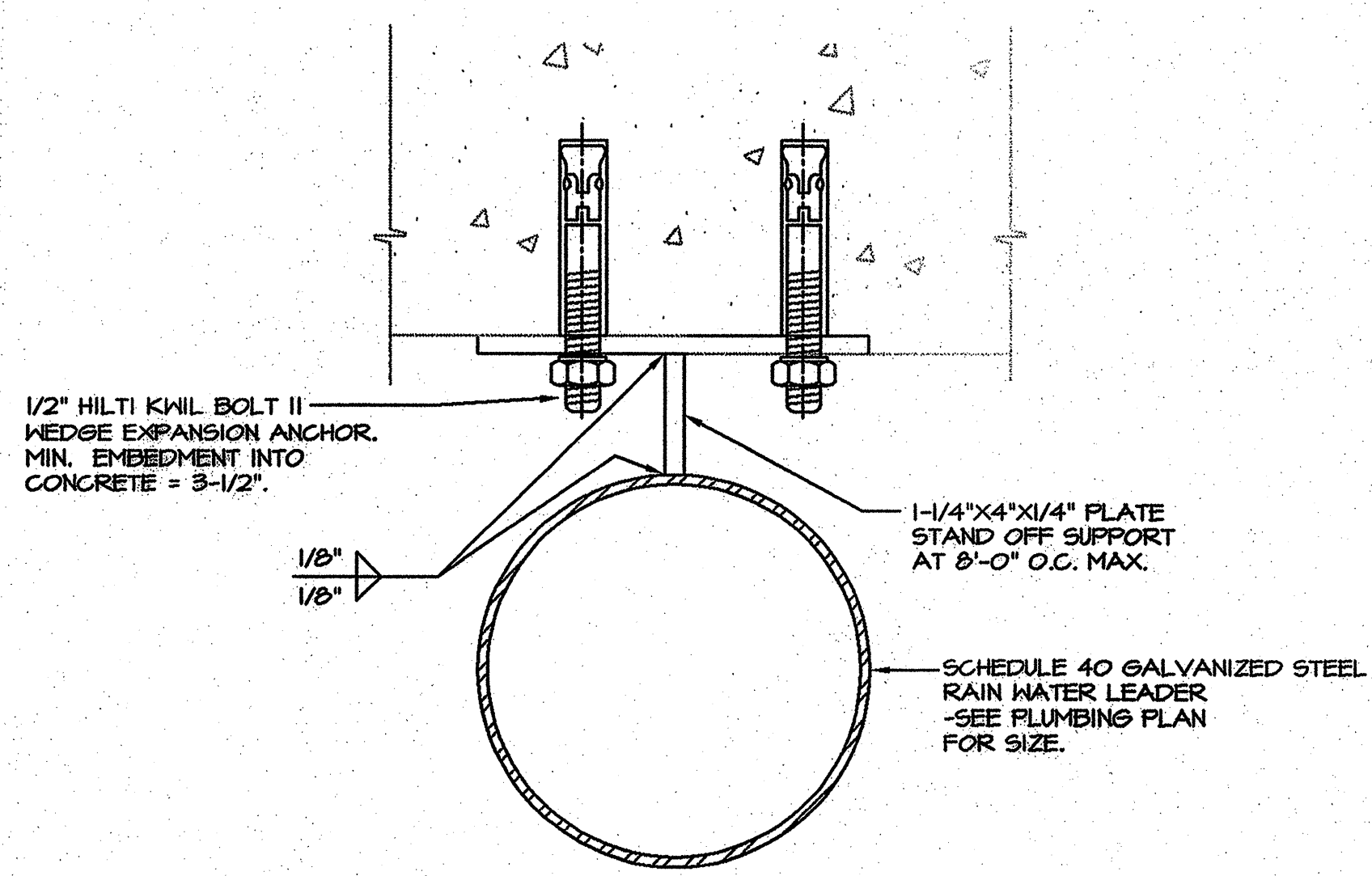


AIR CONDITIONING CAPACITY - TONS REFRIGERATION	MINIMUM PIPE SIZE
THROUGH 3 TONS	3/4"
THROUGH 20 TONS	1"
THROUGH 40 TONS	1-1/4"
THROUGH 125 TONS	1-1/2"
THROUGH 250 TONS	2"

*2001 UPC TABLE 8-2

CONDENSATE CONNECTION DETAIL
NO SCALE

1
P3.02



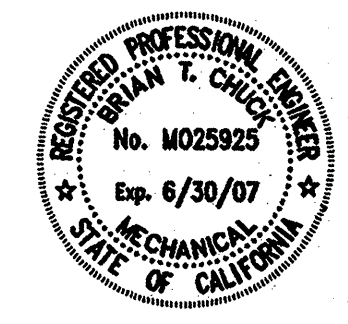
RAIN WATER LEADER SUPPORT
NO SCALE

NOTE: REPAINT WELD LOCATIONS AND AREAS WHERE GALVANIZING IS MISSING FROM PIPING WITH ZRC SAVILITE OR EQUAL, ZINC RICH GALVANIZING COMPOUND.

4
P3.02

ARCHITECT OF RECORD
noll & tam
architects and planners
729 Heinz Avenue
Berkeley, CA 94710
510.845.8295
fax 510.849.3006

CONSULTANTS
McCracken & Woodman
INCORPORATED
Consulting Mechanical Engineers
555 Grand Avenue, Oakland, California 94610
Telephone (510) 763-4891 Fax (510) 763-0619



IDENTIFICATION STAMP
DIVISION OF THE STATE ARCHITECT
FILE NUMBER: 41-01
APPLICATION NUMBER: 01-107911
AC _____ FS _____ SS _____
DATE _____

BID DOCUMENTS
CAÑADA COLLEGE
BUILDING 16, 17, 18
RENOVATION
SMCCCD
3401 CSM Drive
San Mateo, CA 94402
Cañada College
4200 Farm Hills Blvd.
Redwood City, CA 94061

SHEET TITLE
PLUMBING DETAILS

REVISIONS		
NO.	DATE	DESCRIPTION
▲	06/11/06	ADDENDUM NO. 1
▲	06/18/06	SLIDE 17 MODERNIZATION
▲	06/18/06	ADDENDUM NO. 2
▲	02/01/07	RECORD SET

DATE MARCH 1, 2006
DRAWN JP
CHECKED BC
SCALE AS NOTED
N&T JOB NO.: 2220.07

SHEET NUMBER
P3.02

acco engineered systems
1133 ALADDIN AVE
SAN LEANDRO, CALIFORNIA 94577
(510) 346-4300

626403 M0.01.DWG RC RISSE
Job Number Filename Drawn By Project Mgr
88519

RECORD DRAWING District Contract #
DATE: 02-01-07 Contractor's Signature

