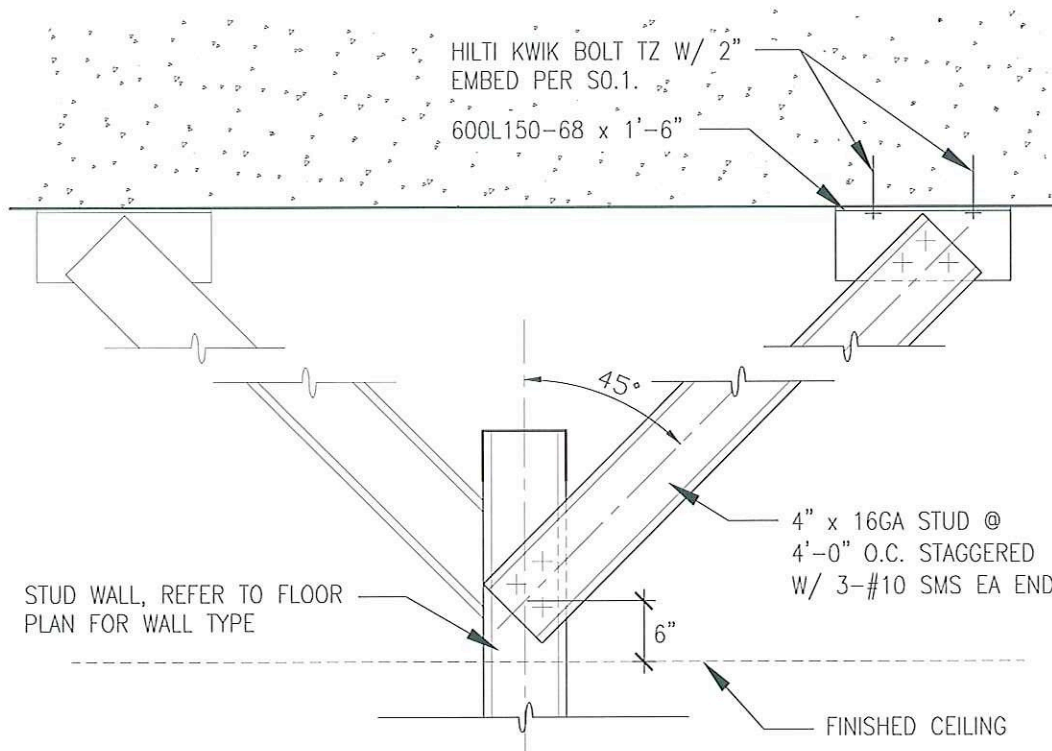


ASI 007R
 FILE NO. 41-C1
 APPL. NO. 01-109554



- NOTES:
 1. GYPSUM BOARDS AND WALL FINISHES NOT SHOWN FOR CLARITY.
 2. SCAN FOR REBARS PRIOR TO DRILLING EXPANSION ANCHORS



1

STUD WALL BRACING

REF: 21/A10.81

NTS



210 Hammond Ave.
 Fremont, California 94539
 [T] 510.445.1000
 [F] 510.445.1005

Title:
 BRACED WALL HEAD

Project Name:
 CAÑADA COLLEGE
 BLDG 8 PHASE 2 RENOVATION
 4200 Farm Hill Blvd.
 Redwood City, CA 94061
 FILE NO. 41-C1 APPL. 01-109554

Revision:
 RFI 66

ASI No.:
 ASI 007R

Date
 12-10-08

Drawing Number

Scale
 N.T.S.

ASK-6R

Project Number
 07014