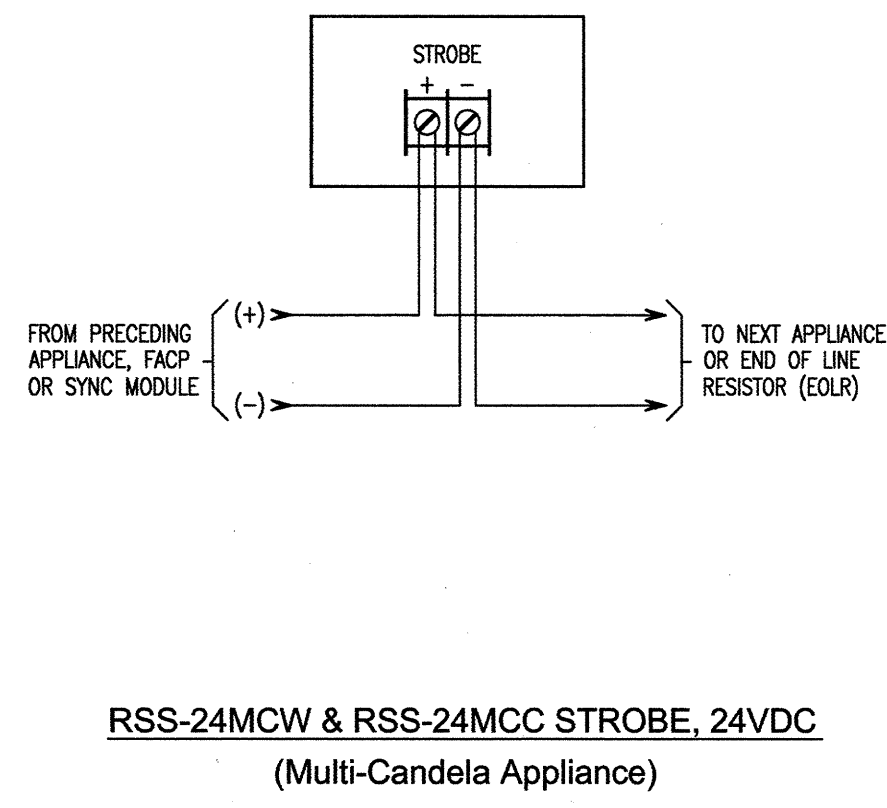
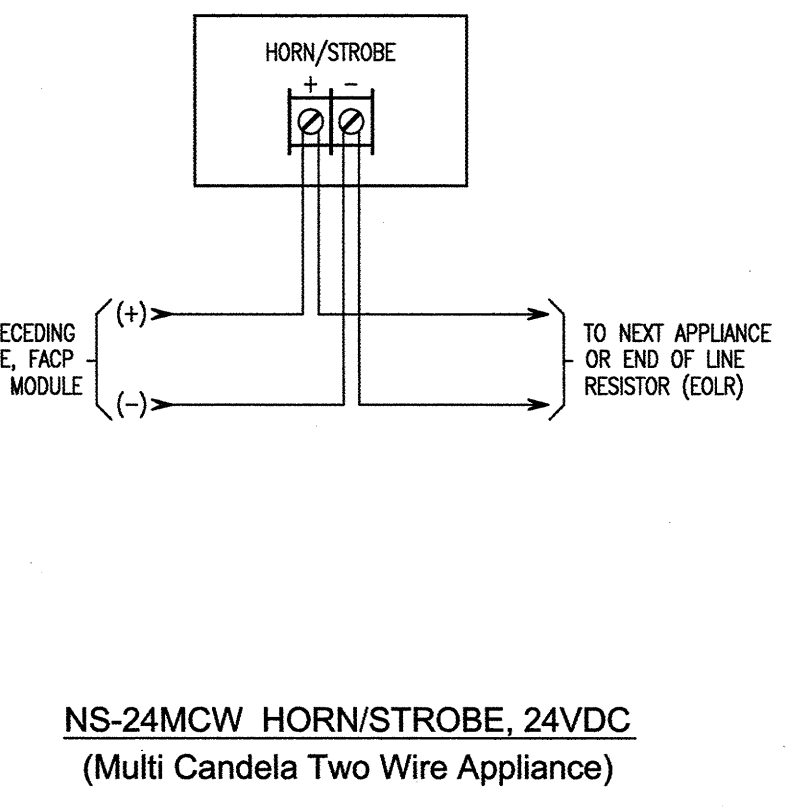
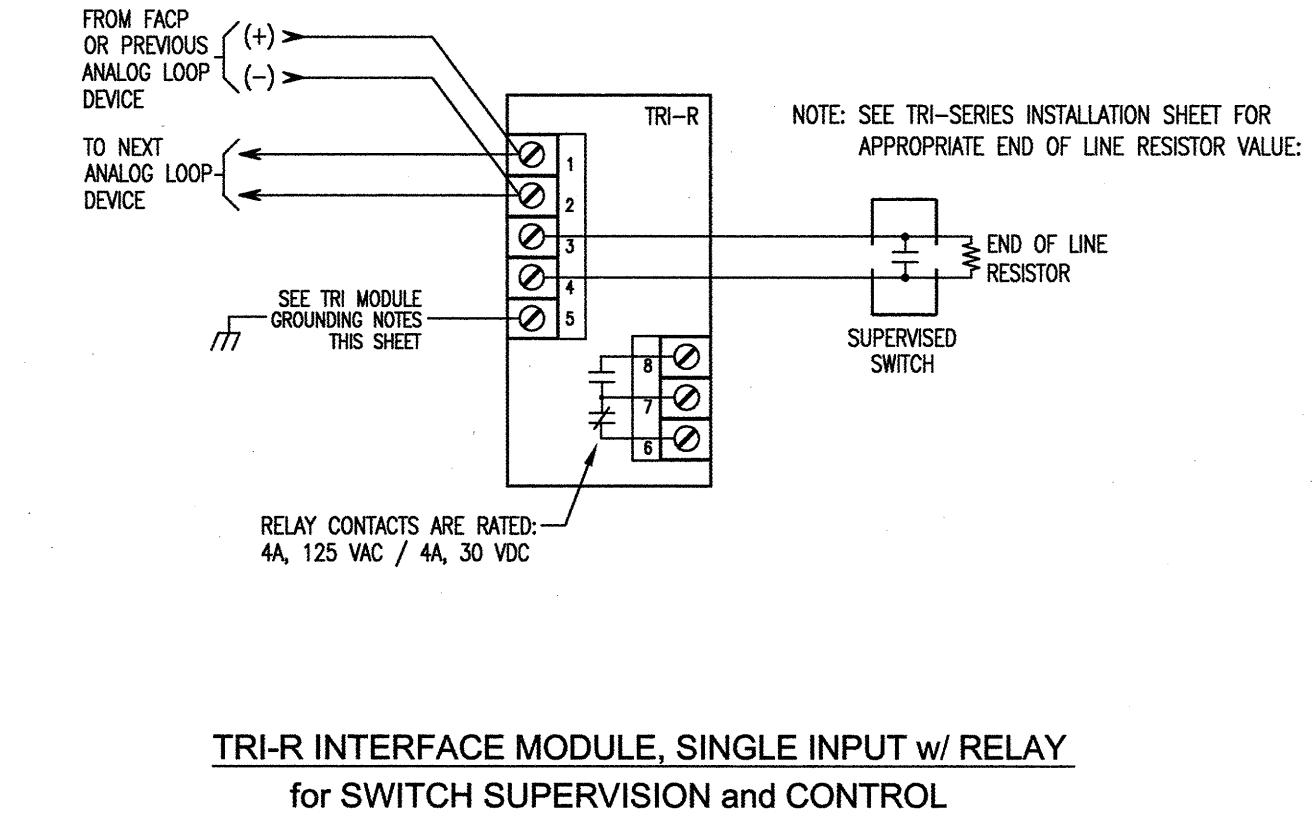
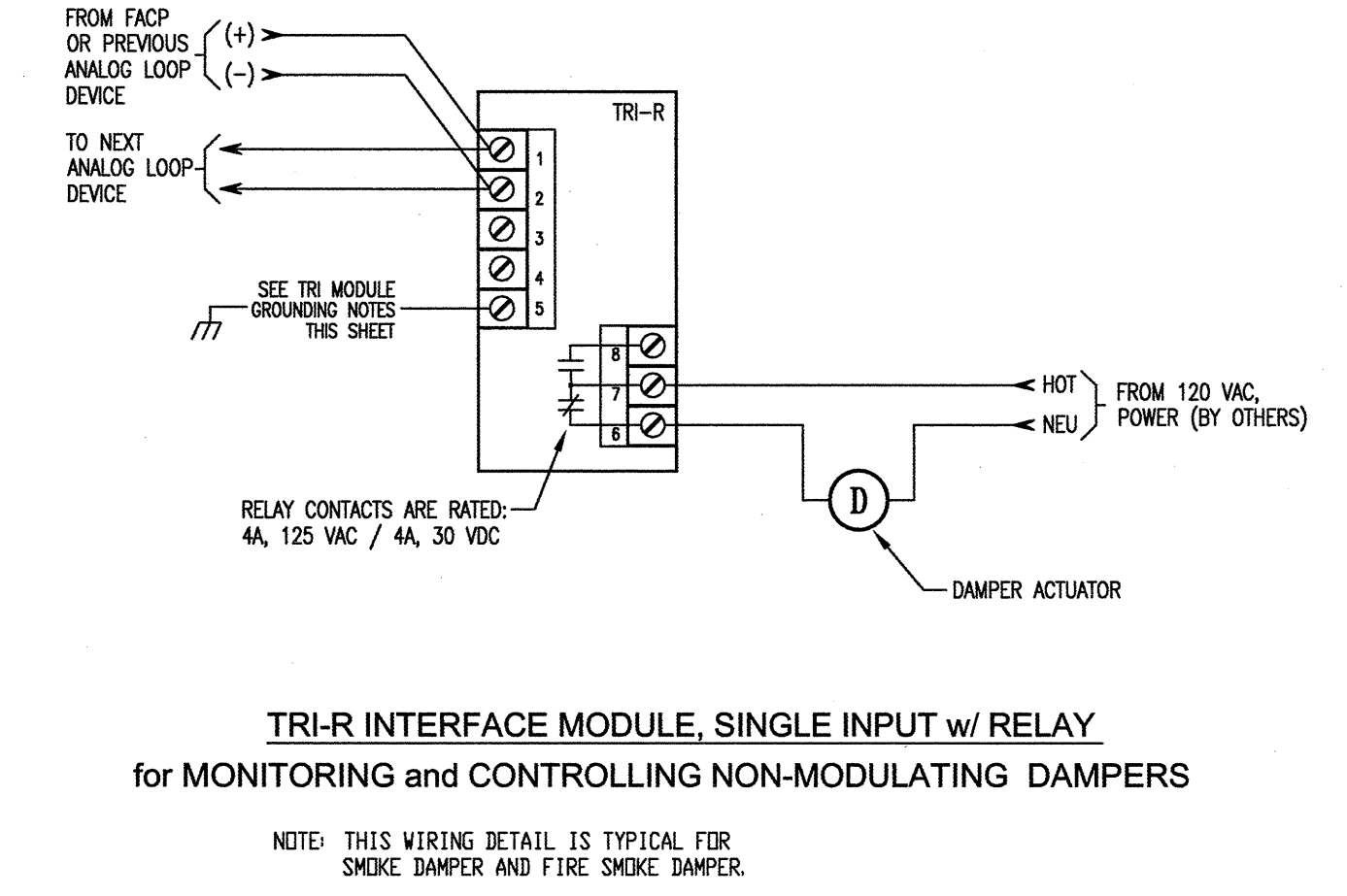
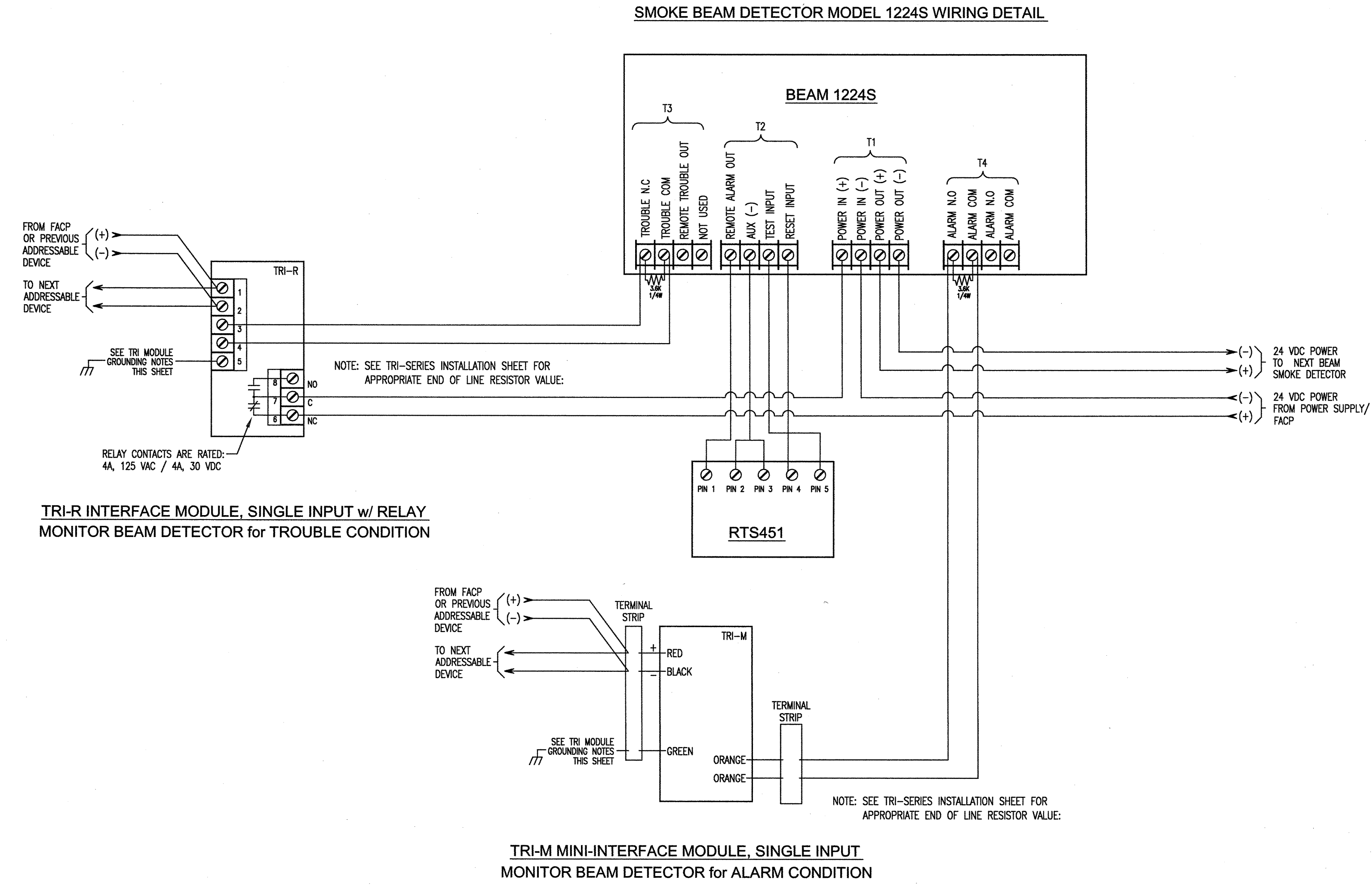
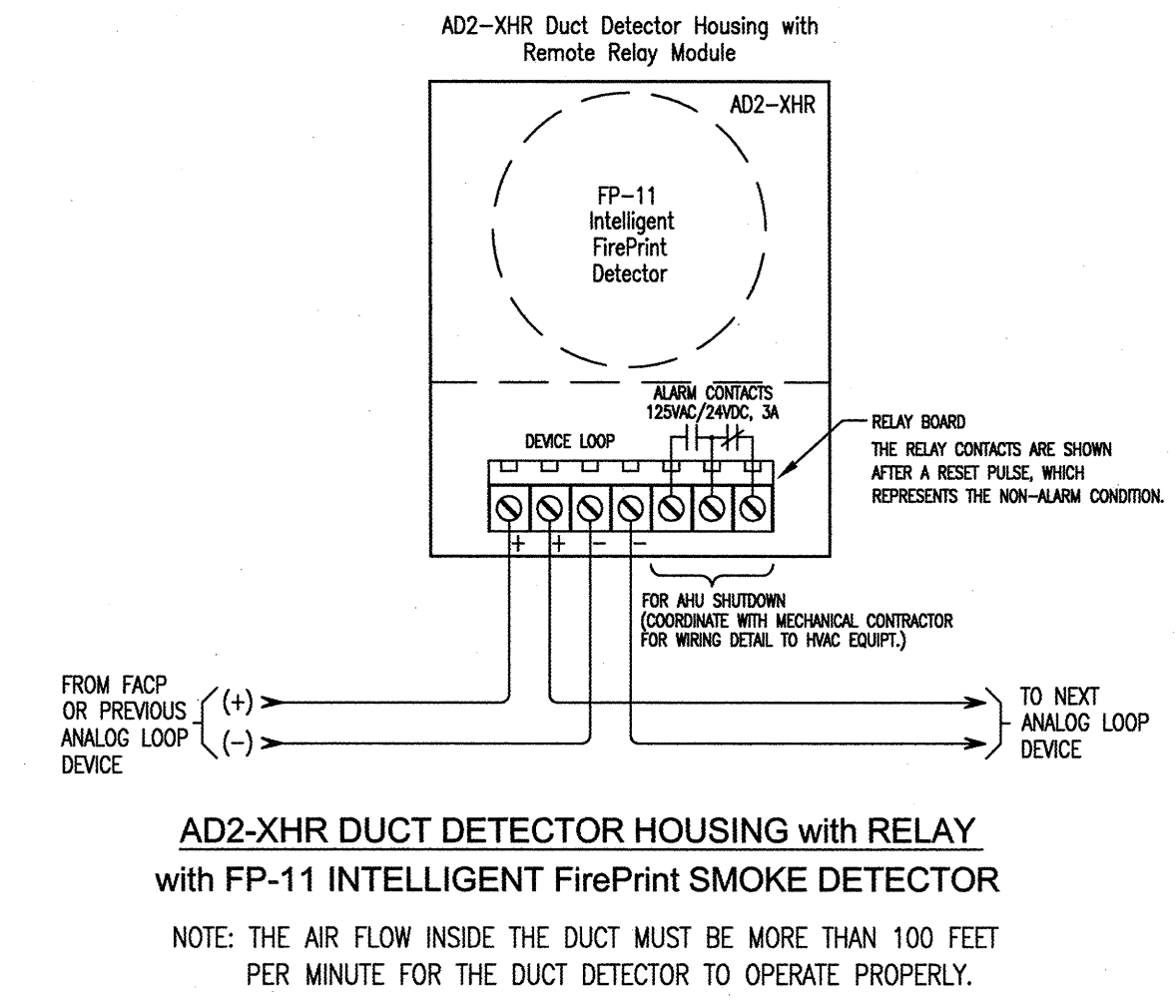
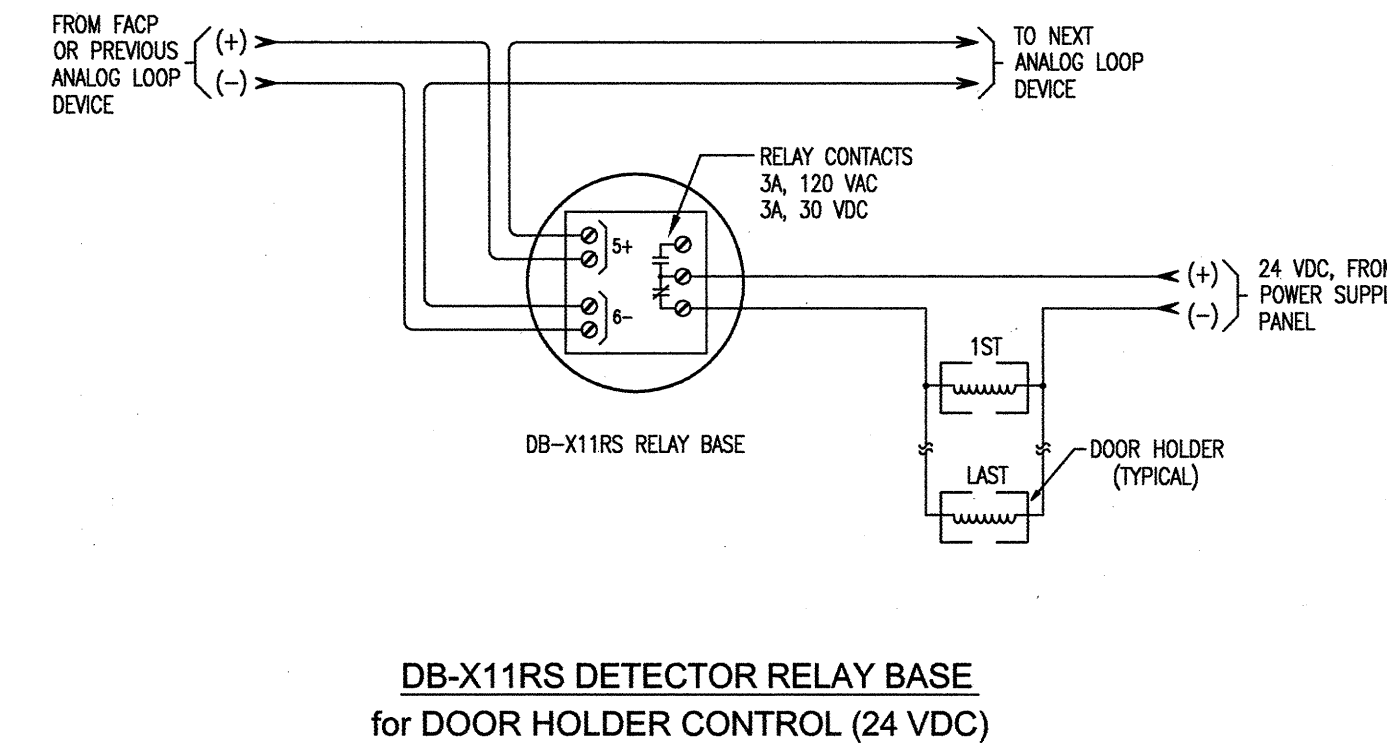
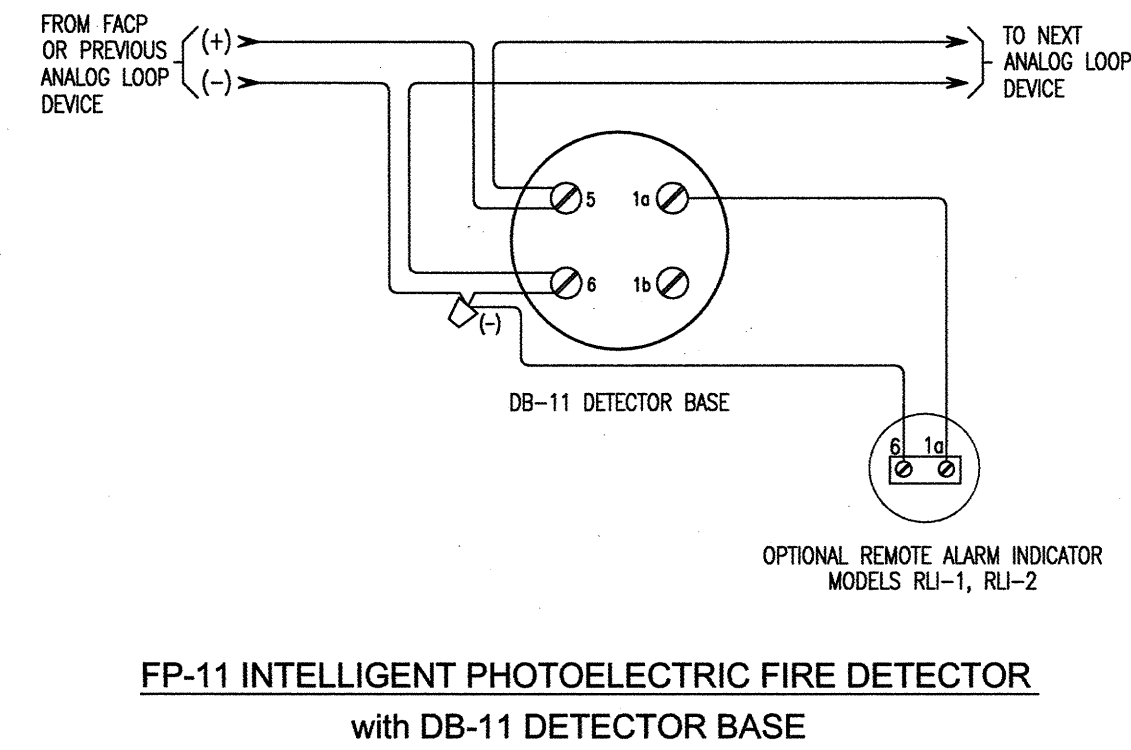
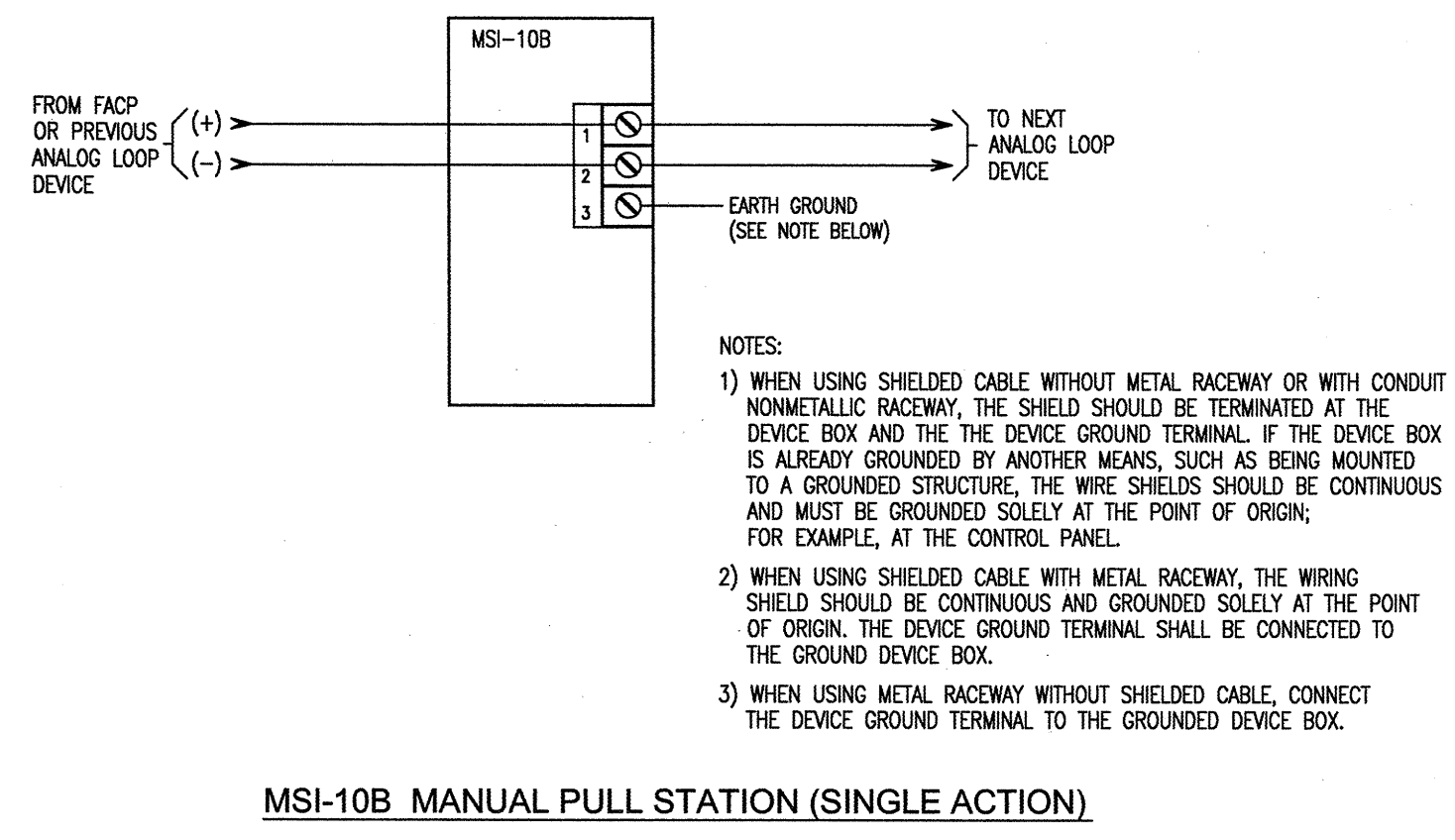
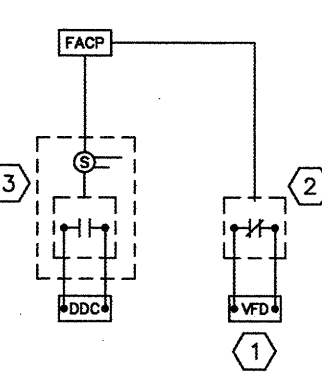


# TYPICAL WIRING OF FIELD DEVICES



## SHEET KEYNOTES

- VARIABLE FREQUENCY DRIVE (VFD) AIR HANDLING UNIT FAN CONTROLLER.
- FIRE ALARM ADDRESSABLE RELAY. CONNECT TO EMERGENCY STOP INPUT ON VFD. PROGRAM TO STOP FAN ON ACTIVATION OF ASSOCIATED SMOKE DETECTION.
- FIRE ALARM ADDRESSABLE DUCT SMOKE DETECTOR WITH INTEGRAL ADDRESSABLE RELAY. CONNECT TO DIGITAL INPUT ON DIRECT DIGITAL CONTROLLER (DDC). PROGRAM TO SHUT DOWN AIR HANDLING UNIT UPON ACTIVATION OF ASSOCIATED SMOKE DETECTION.



## SCOPE OF WORK

THE DRAWING AND DESIGN HEREIN SHALL NOT BE DUPLICATED, USED OR DISCLOSED TO OTHERS FOR PROCUREMENT OR OTHER PURPOSES (EXCEPT AS OTHERWISE AUTHORIZED BY CONTRACT) WITHOUT WRITTEN PERMISSION OF SIEMENS INDUSTRY. ALL OTHER ALL OTHER REPRODUCTIONS SHALL BEAR THIS NOTICE.

## REVISIONS

No.	Revision	By	Date	Appr.

DESIGN ENGINEER:  
 PROJECT: 2007-0731  
 CONTACT: **Interface**  
**INTERFACE ENGINEERING**  
 717 Market Street  
 Suite 500  
 San Francisco, CA 94103  
 TEL 415.489.7240  
 FAX 415.489.7289  
 www.interfaceengineering.com

ISA STAMP:  
 FILE NO. 41-01  
 IDENTIFICATION STAMP  
 DIV. OF THE STATE ARCHITECT  
 01-110074  
 AC FILE SS  
 DATE

CONTRACTOR'S NAME & ADDRESS:  
**InterMountain ELECTRIC COMPANY**  
 947 Washington Street  
 San Carlos CA 94070  
 Tel 650.591.7118 Fax 650.591.7123  
 contact@im-electric.com

PRODUCT MANUFACTURER:  
**SIEMENS Industry**  
 SAN FRANCISCO BRANCH  
 2521 Industrial Boulevard, Suite 300  
 Hayward, California 94545-2991  
 Tel (510) 783-6000 Fax (510) 293-2100  
 California State C10 License No. 758796  
 U.L. Certificate ID No. 324787-001

JOB NAME & LOCATION (STREET ADDRESS)  
**FIRE ALARM**  
 FOR  
**SAN MATEO COUNTY COMMUNITY COLLEGE DISTRICT**  
**CAÑADA COLLEGE**  
 BUILDINGS 5 AND 6  
 MODERNIZATION  
 4200 FARM HILL BOULEVARD  
 REDWOOD CITY, CA 94061

## COVER/ DRAWING INDEX/ EQUIPMENT LIST

INSTALLATION TYPE	<input type="checkbox"/> NEW INSTALLATION
	<input type="checkbox"/> DESIGN/BUILD
	<input checked="" type="checkbox"/> PER CONTRACT DOCUMENT
	<input type="checkbox"/> EXISTING BASE JOB # _____
	<input type="checkbox"/> OTHERS _____
SYSTEM SALES REP:	Kelly Rogers
PROJECT MANAGER:	Jesse Mangosing
DRAWN BY:	Ronald Babiera
CAD FILENAME:	44OP-070529.DWG
SCALE:	N/A
DATE DRAWN:	April 07, 2010
PLOT DATE:	May 11, 2010
SHEET:	44OP-070529
	NET NUMBER 5249672

IF DRAWING IS SMALLER THAN 30" X 42" IT IS A REDUCED COPY