

Bunton Clifford Associates, Inc.  
 210 Hammond Ave.  
 Fremont, California 94539  
 [T] 510.445.1000  
 [F] 510.445.1005  
 www.BCAincOnline.com

PROJECT 2007-0731  
 CONTACT Valeria Torres

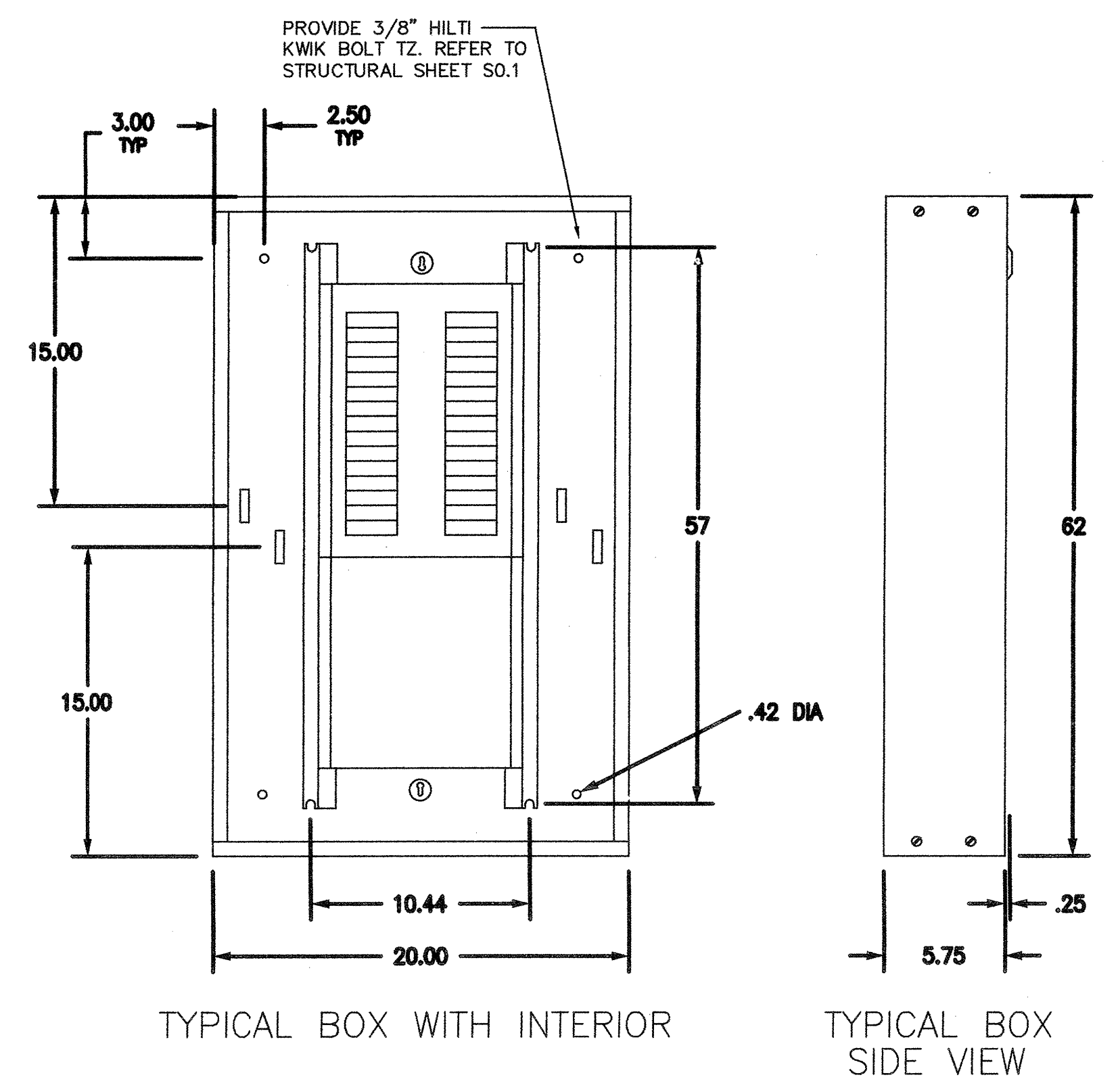
**INTERFACE**  
 ENGINEERING

717 Market Street  
 Suite 500  
 San Francisco, CA 94103  
 TEL 415.489.7240  
 FAX 415.489.7289  
 www.interfaceengineering.com

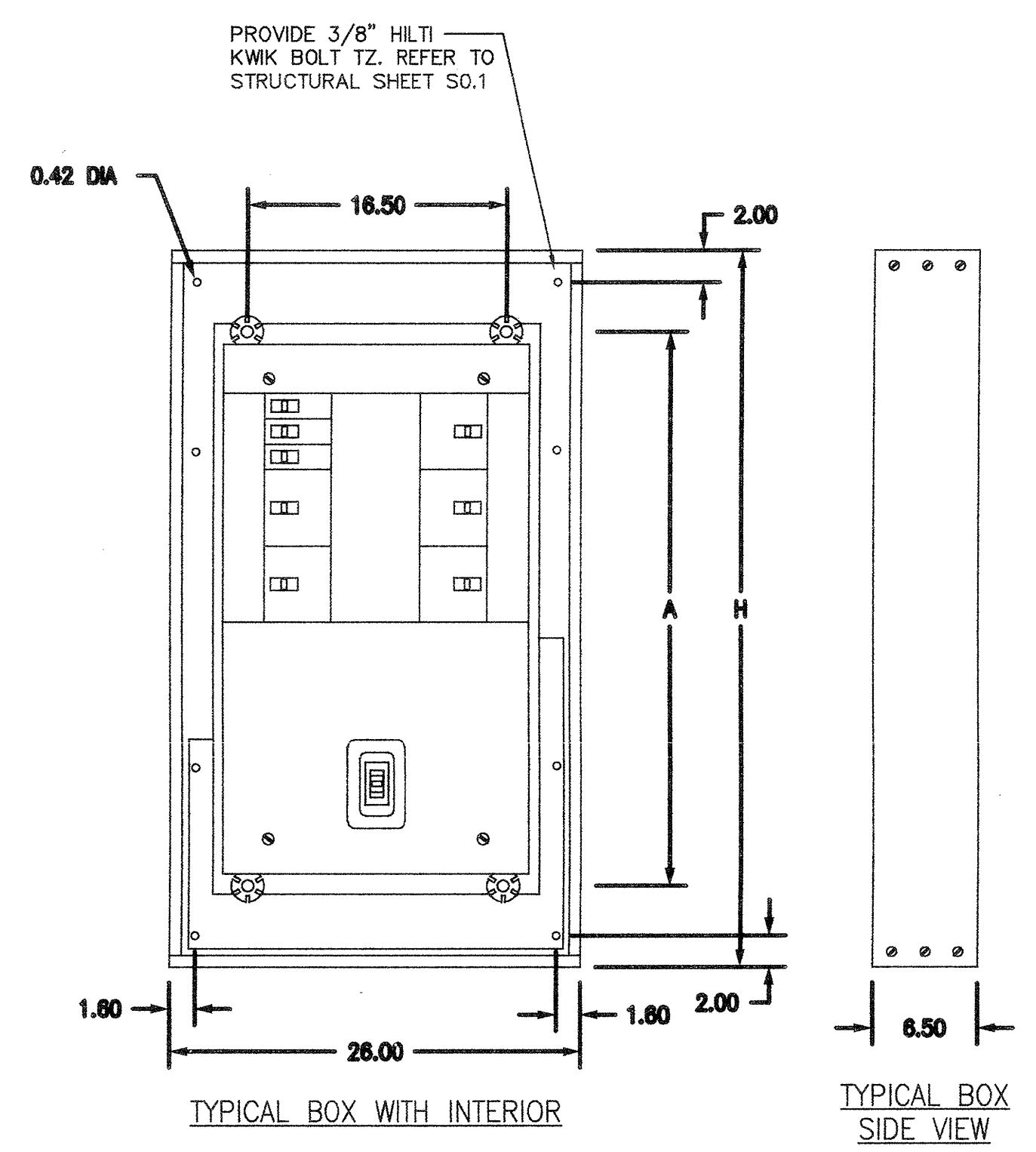
ARCHITECT: [Signature]  
 ENGINEER: [Signature]

REGISTERED ARCHITECT  
 No. C018659  
 Exp. 09/30/10

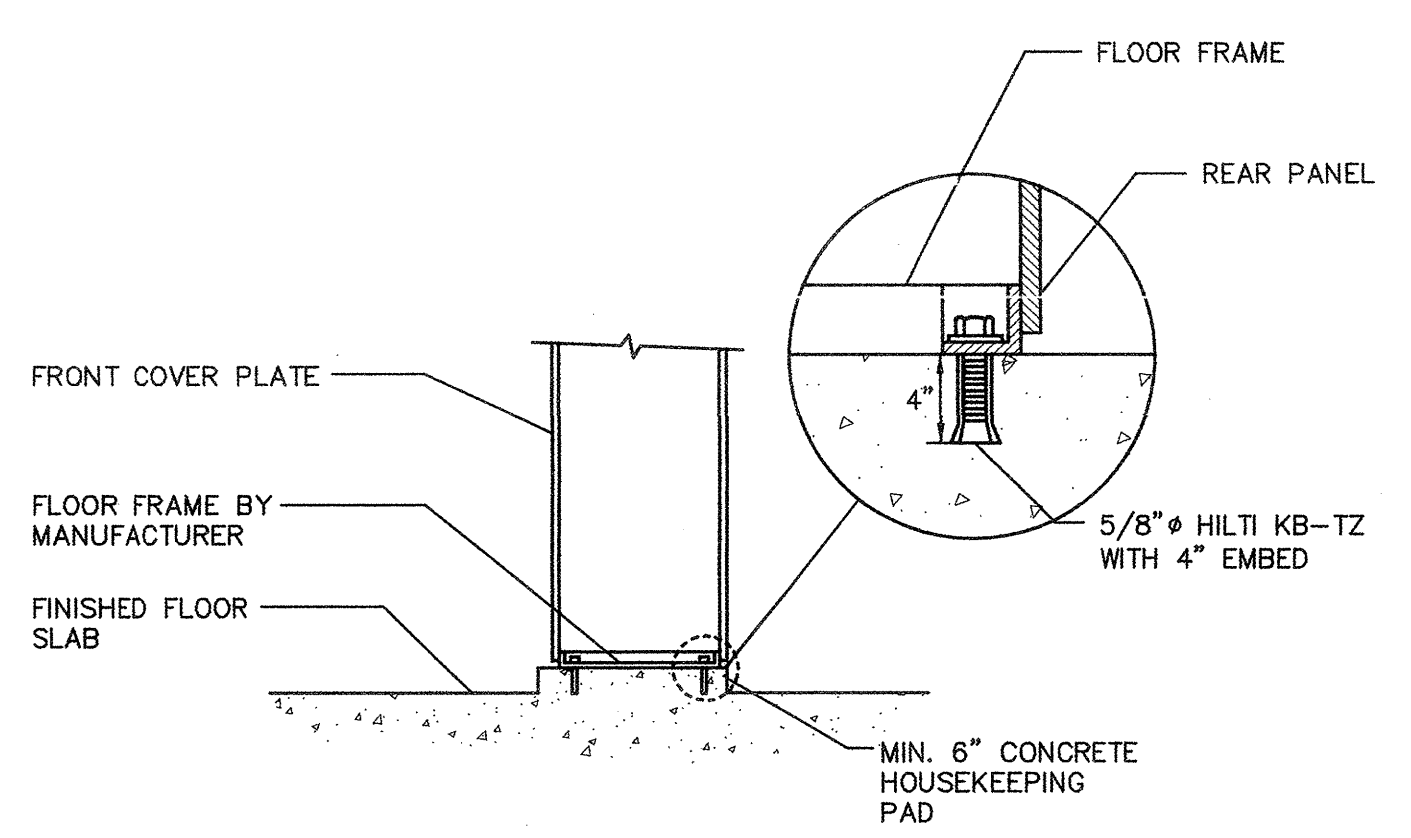
REGISTERED PROFESSIONAL ENGINEER  
 No. E18506  
 Exp. 09-30-10



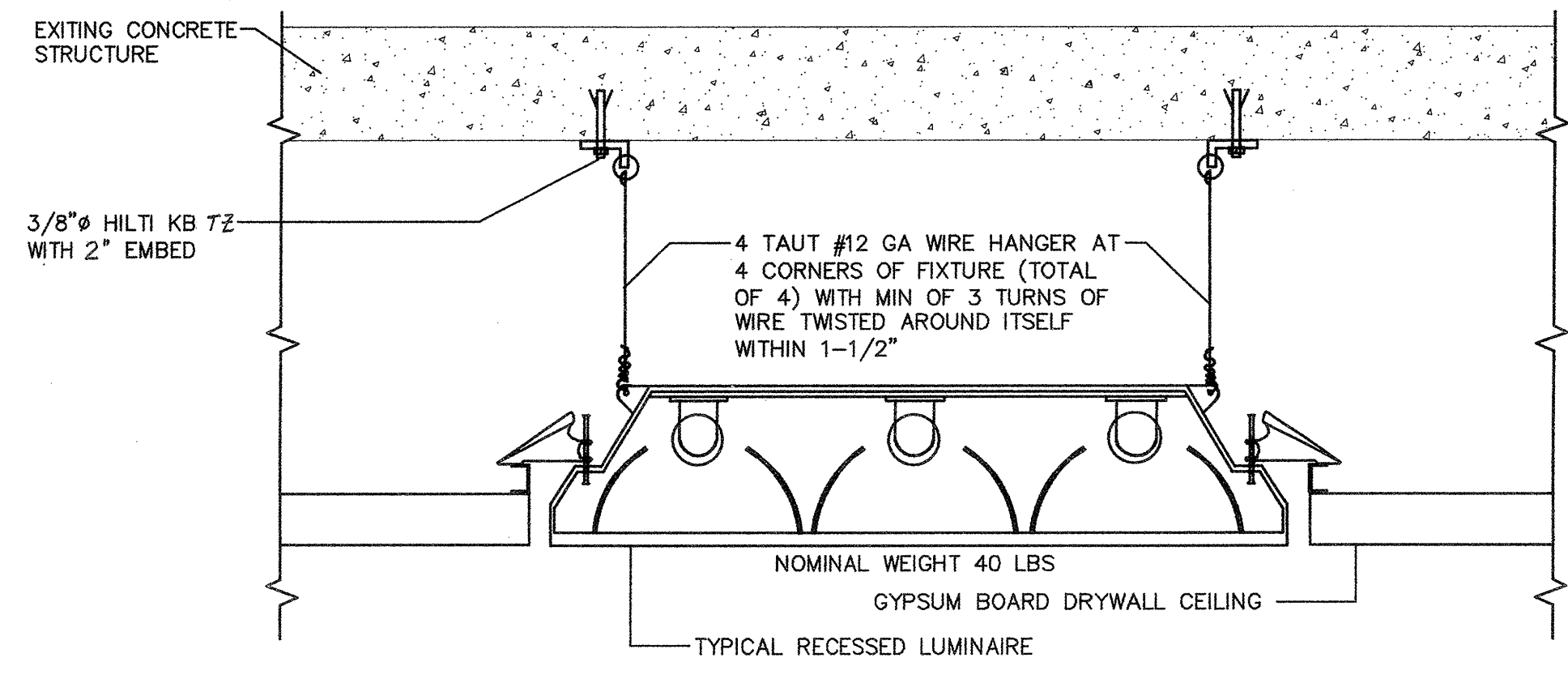
**8 TYPICAL BRANCH PANELBOARD DETAIL**  
 NO SCALE



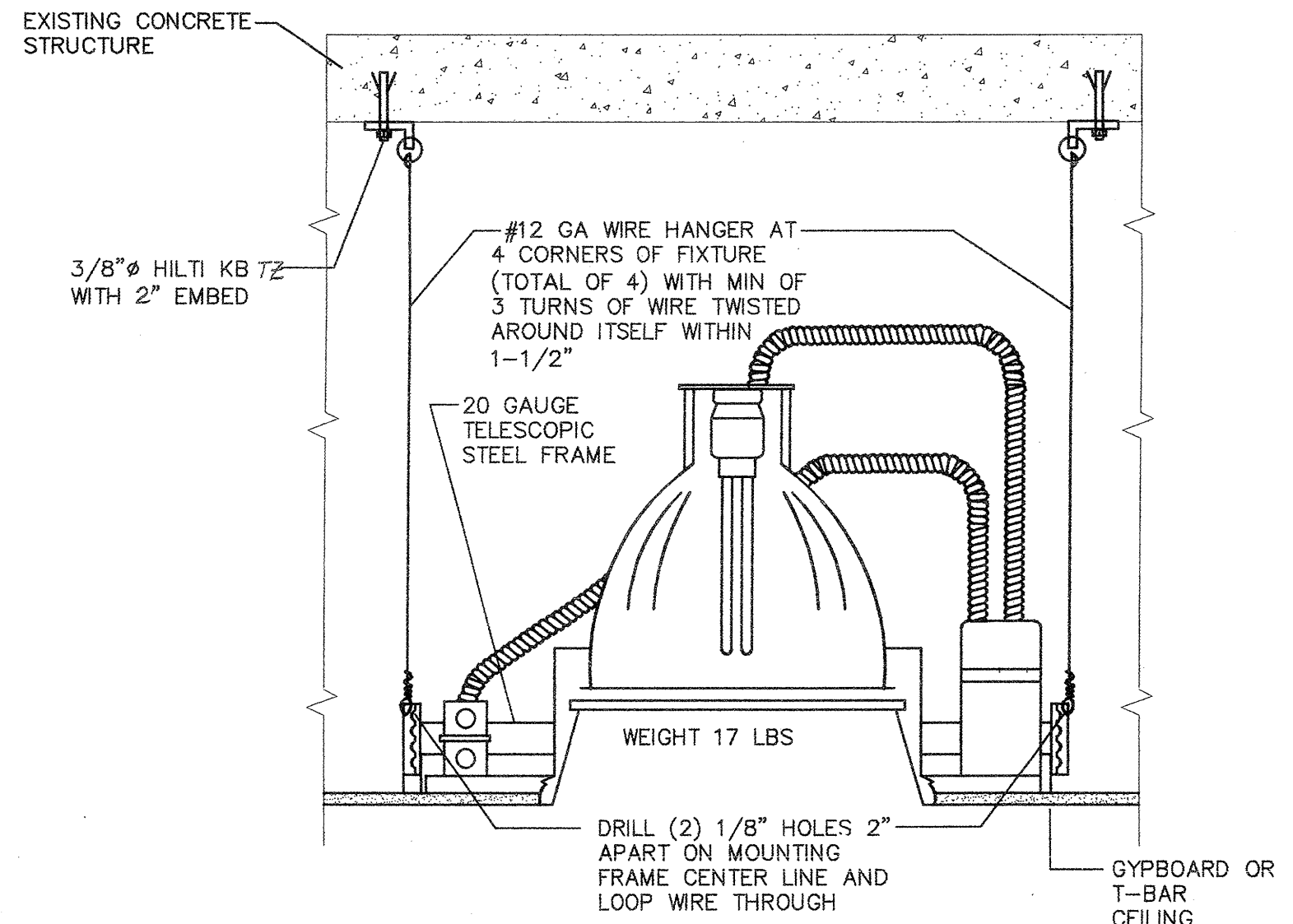
**9 TYPICAL DISTRIBUTION PANEL DETAIL**  
 NO SCALE



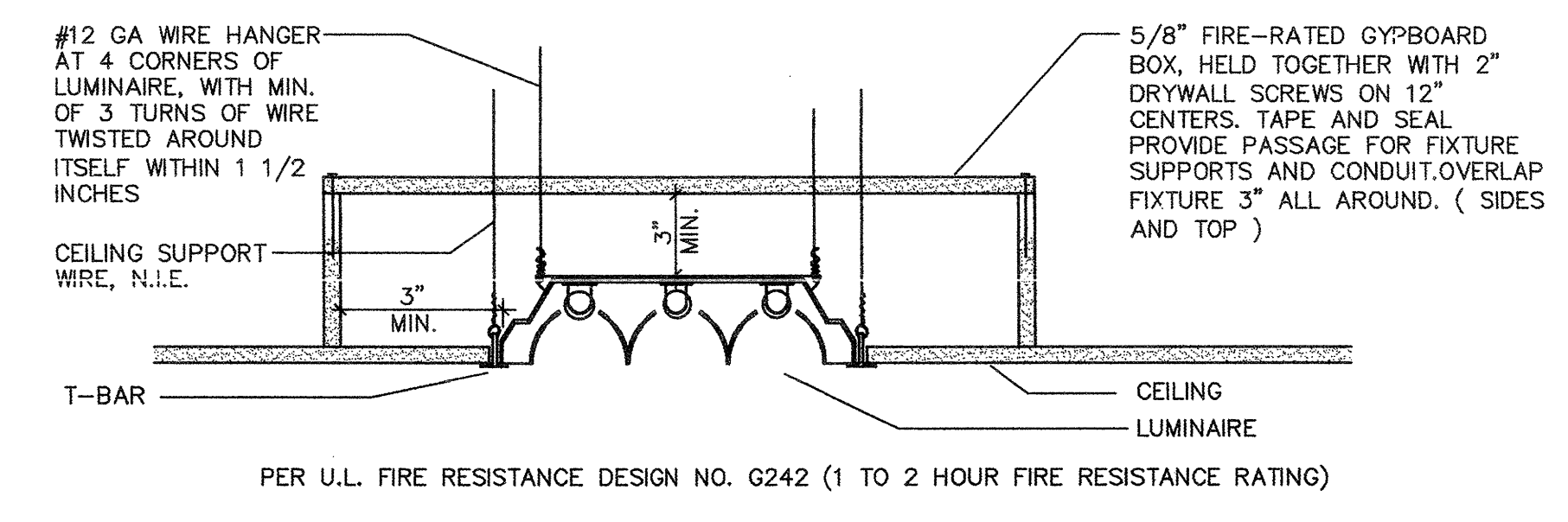
**TYPICAL FLOOR MOUNTED DISTRIBUTION PANEL DETAIL**  
 NO SCALE



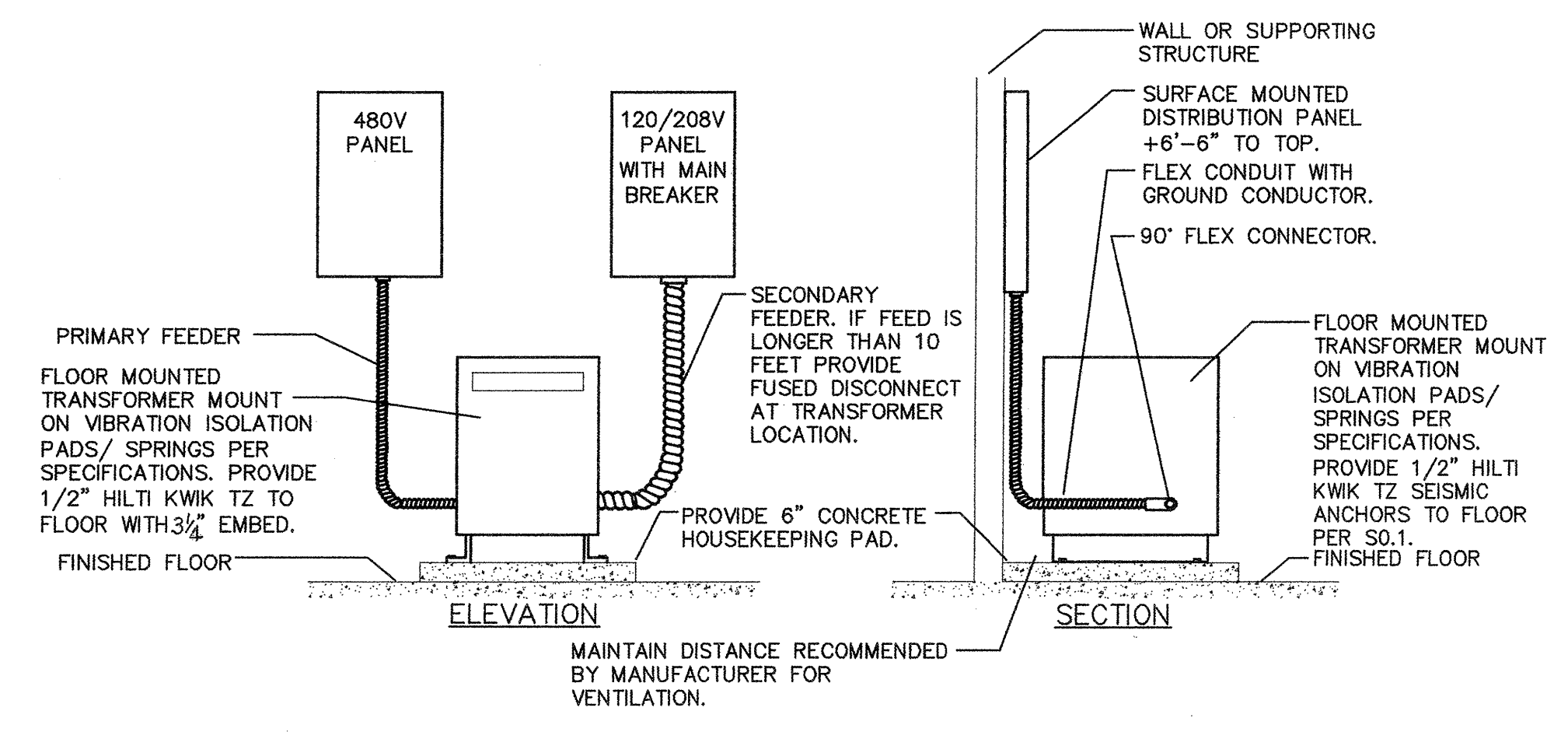
TYPICAL FOR LUMINAIRE TYPES 'A', 'F'  
**5 RECESSED FLUORESCENT LUMINAIRE HANGING METHOD**  
 NO SCALE



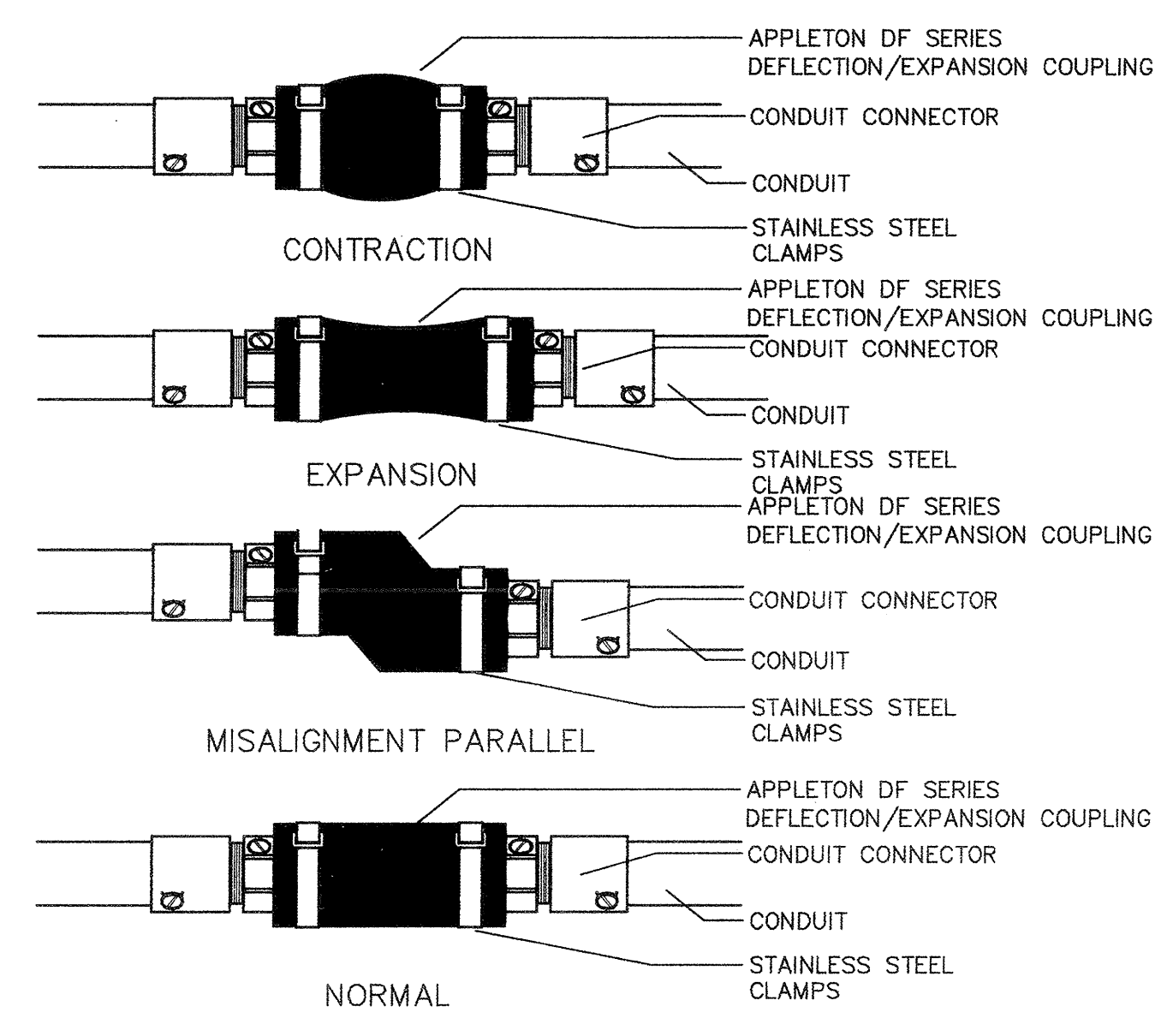
TYPICAL FOR LUMINAIRE TYPES 'C'  
**6 RECESSED DOWNLIGHT LUMINAIRE**  
 NO SCALE



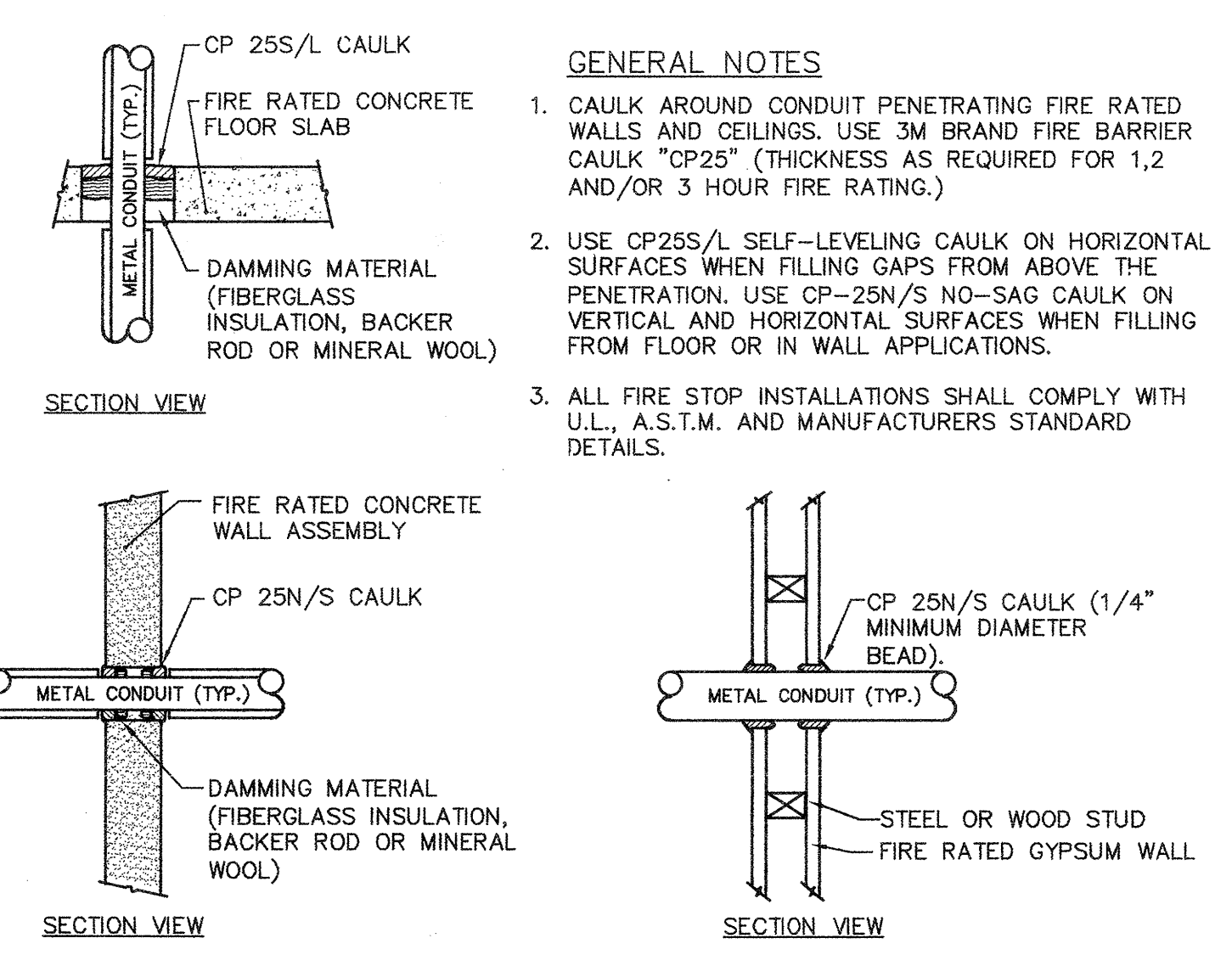
**7 RECESSED LUMINAIRE IN FIRE RATED CEILING**  
 NO SCALE



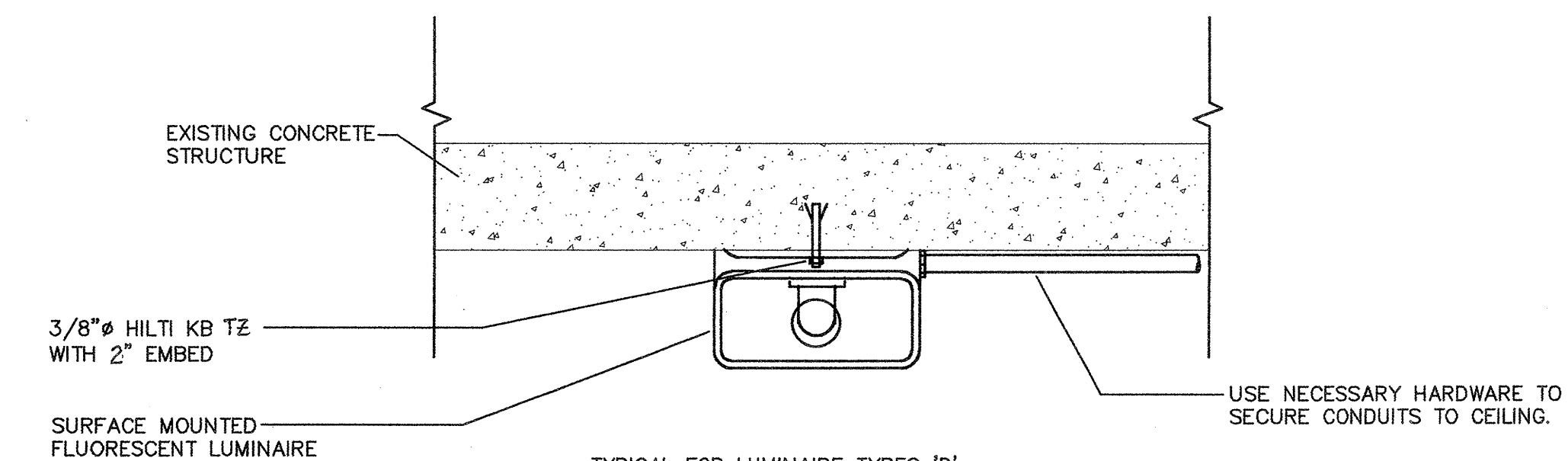
**FLOOR MOUNTED TRANSFORMER DETAIL 1 FOR SURFACE MOUNTED PANELS**  
 NO SCALE



**2 EXPANSION/DEFLECTION FITTINGS**  
 NO SCALE



**3 RATED WALL, FLOOR, AND CEILING CONDUIT PENETRATION**  
 NO SCALE



**4 SURFACE MOUNTED FLUORESCENT LUMINAIRE MOUNTING METHOD**  
 NO SCALE

GENERAL NOTES

- This sheet is part of a set and is not to be used alone.
- This sheet is not to be used for construction unless the architect's stamp and signature appear on the drawings and the status box indicates drawings have been released for construction.
- These plans and prints thereof, as instruments of service, are owned by the architect and are for use on this project only. Reproduction and/or distribution without the prior written consent of the architect is forbidden.
- Copyright Bunton Clifford Associates, 2007

REVISION HISTORY	REMARKS	DATE
△		
△		
△		
△		
△		
△		
△		
△		
△		

DATE

STATUS

DSA PLAN CHECK

DSA BACK CHECK

BIDDING (S.D.#86593)

CONSTRUCTION

FILE NO. 41-C1

IDENTIFICATION STAMP

DIV. OF THE STATE ARCHITECT

01-110074

DATE: MAR 19 2008

**BUILDINGS 5 & 6 RENOVATIONS**

San Mateo County Community College District

DSA BACK-CHECK

**CAÑADA COLLEGE**

4200 Farm Hill Boulevard  
 Redwood City, CA 94061

DETAILS

Date 01/22/09  
 Scale AS NOTED  
 Project Number 07013

Drawing Number **E7.1**