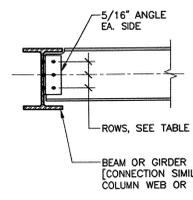
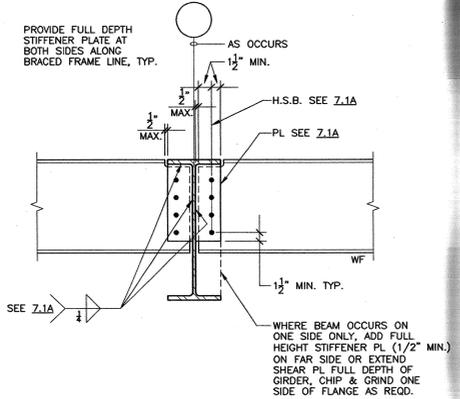


ROWS	3/4" H.S.B.	BEAM DEPTH	REMARKS
1	6"		
2	8"	10"	12"
3	12"	14"	



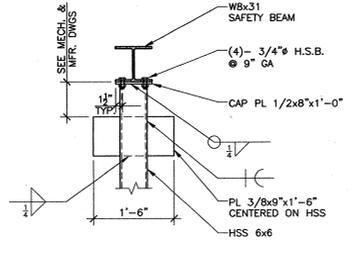
7.1A TYPICAL MINIMUM BEAM CONNECTION

3/4"=1'-0"
SBC0018



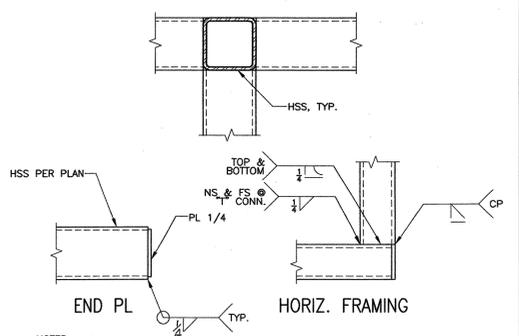
7.1B TYPICAL BEAM TO GIRDER CONNECTION

1"=1'-0"
SBC0018



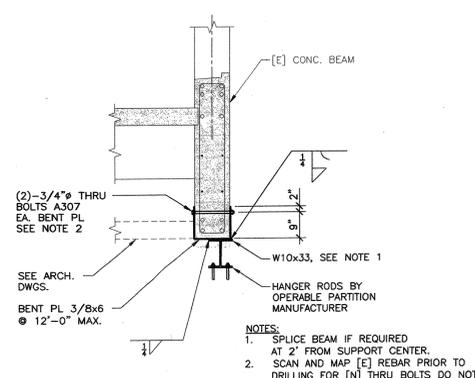
7.1C

3/4"=1'-0"
M703571C



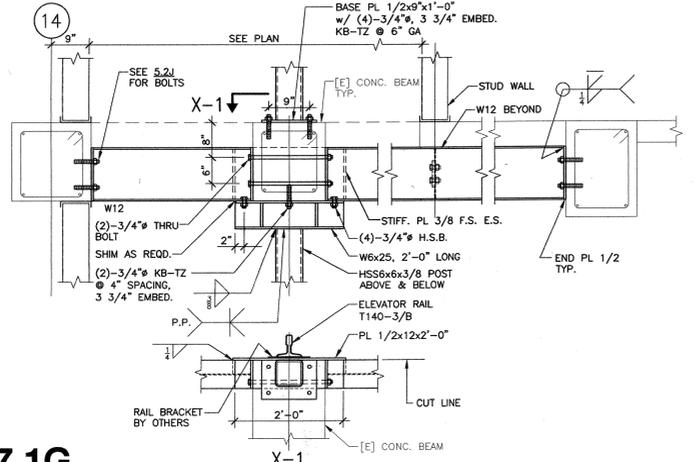
7.1E TYP. HSS TO HSS CONNECTION (REF.: 9.2T, 9.2U)

M703571E



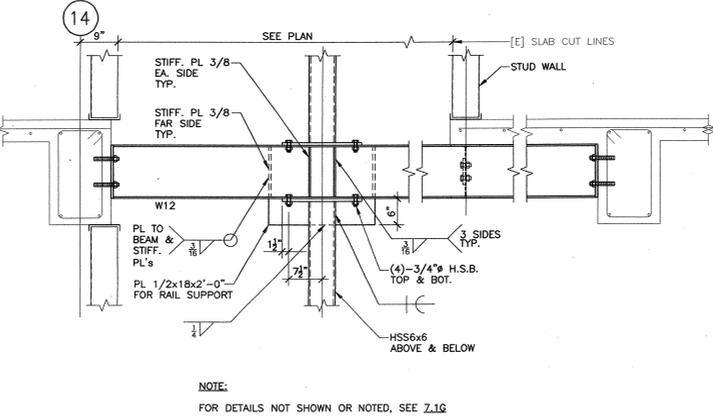
7.1F OPERABLE PARTITION TO EXISTING CONCRETE BEAM

1/2"=1'-0"
M703571F



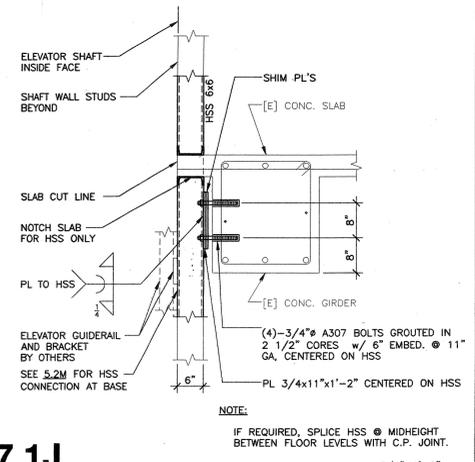
7.1G

3/4"=1'-0"
M703571G



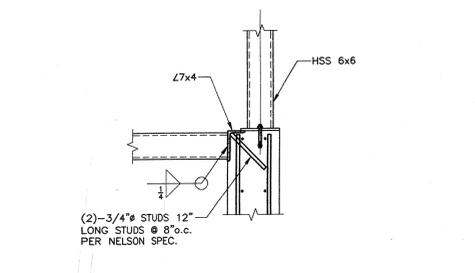
7.1H

3/4"=1'-0"
M703571H



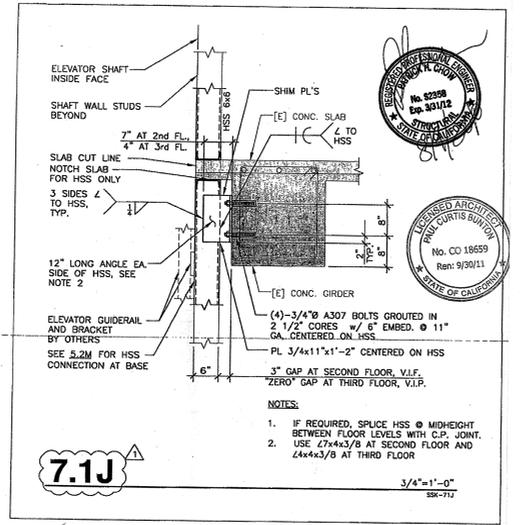
7.1J

3/4"=1'-0"
M703571J



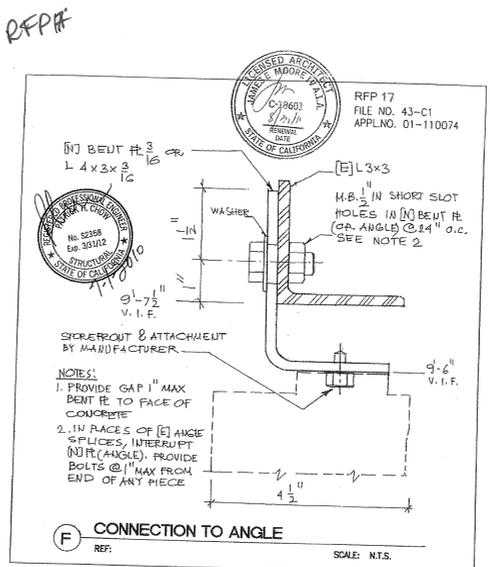
7.1K

3/4"=1'-0"
M703571K



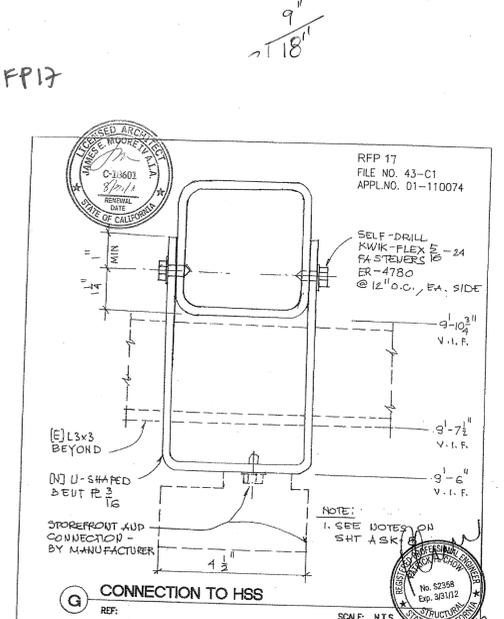
7.1J

3/4"=1'-0"
SSK-71J



F CONNECTION TO ANGLE

SCALE: N.T.S.



G CONNECTION TO HSS

SCALE: N.T.S.

BCA Interior Elevator Details
Project Name: CANADA COLLEGE - BUILDINGS 5 & 6 RENOVATIONS
San Mateo County Community College District
4200 Farm Hill Boulevard
Redwood City, CA 94061
File No. 43-C1 APPL. 01-110074

Revision: S7.1
Drawing Number: SSK-7.1J

BCA 3rd Floor Storefronts
Project Name: CANADA COLLEGE - BUILDINGS 5 & 6 RENOVATIONS
San Mateo County Community College District
4200 Farm Hill Boulevard
Redwood City, CA 94061
File No. 43-C1 APPL. 01-110074

Revision: SSK-8
Drawing Number: SSK-8

BCA 3rd Floor Storefronts
Project Name: CANADA COLLEGE - BUILDINGS 5 & 6 RENOVATIONS
San Mateo County Community College District
4200 Farm Hill Boulevard
Redwood City, CA 94061
File No. 43-C1 APPL. 01-110074

Revision: SSK-9
Drawing Number: SSK-9

ARCHITECT: LICENSED ARCHITECT
ENGINEER: LICENSED ARCHITECT

1. This sheet is part of a set and is not to be used alone.
2. This sheet is not to be used for construction unless the architect's stamp and signature appear on the drawings and the status box indicates drawings have been released for construction.
3. These plans and prints thereof, as instruments of service, are owned by the architect and are for use on this project only. Reproduction and/or distribution without the prior written consent of the architect is forbidden.
4. Copyright Bunton Clifford Associates, 2007

REVISION	REMARKS	DATE

DRAWING STATUS	DATE

FILE NO. 41-C1
IDENTIFICATION STAMP
DIV. OF THE STATE ARCHITECT
01-110074
DATE: MAR 19 2008

BUILDINGS 5 & 6 RENOVATIONS

San Mateo County Community College District

DSA BACK-CHECK

CAÑADA COLLEGE
4200 Farm Hill Boulevard
Redwood City, CA 94061

STEEL DETAILS