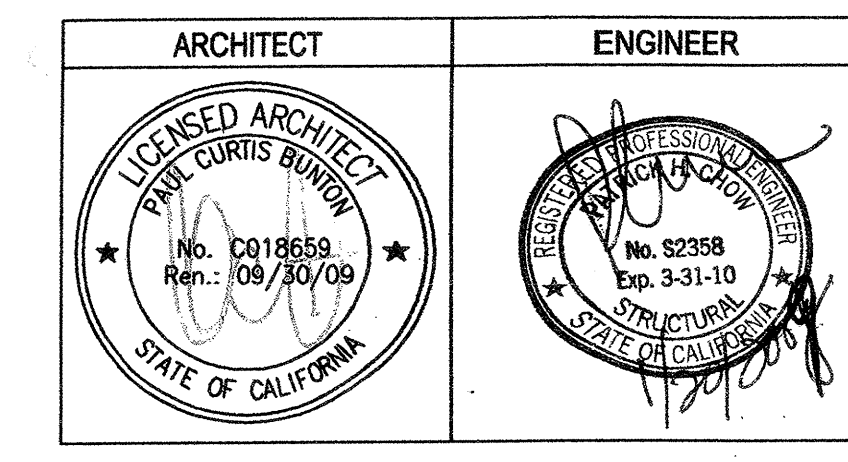


SHEET NOTES

- REFER TO ARCHITECTURAL AND MECHANICAL DRAWINGS FOR LOCATIONS OF EQUIPMENT, SIZE OF OPENING, CURB DETAILS.
- SEE GENERAL NOTES, EXISTING CONSTRUCTION DIVISION, ITEM "C" FOR NEW PENETRATIONS REQUIREMENTS.
- COORDINATE WITH ARCHITECTURAL DRAWINGS AND ELEVATOR VENDOR ALL DIMENSIONS AND ALL REQUIREMENTS PRIOR TO START OF CONSTRUCTION.
- FOR SAFETY BEAM SEE 5.2N SIM.



Burton Clifford Associates, Inc.  
210 Hammond Ave.  
Fremont, California 94539  
[T] 510.445.1000  
[F] 510.445.1005  
www.BCAincOnline.com



- GENERAL NOTES
- This sheet is part of a set and is not to be used alone.
  - This sheet is not to be used for construction unless the architect's stamp and signature appear on the drawings and the status box indicates drawings have been released for construction.
  - These plans and prints thereof, as instruments of service, are owned by the architect and are for use on this project only. Reproduction and/or distribution without the prior written consent of the architect is forbidden.
  - Copyright Burton Clifford Associates, 2007

REVISION HISTORY	REMARKS	DATE

DRAWING STATUS

DSA PLAN CHECK

DSA BACK CHECK

BIDDING (BID #86593)

CONSTRUCTION

FILE NO. 41-C1

IDENTIFICATION STAMP  
DIV. OF THE STATE ARCHITECT

01-110074

AC. FLS. SS. *[Signature]*

DATE: MAR 19 2009

**BUILDINGS 5 & 6 RENOVATIONS**

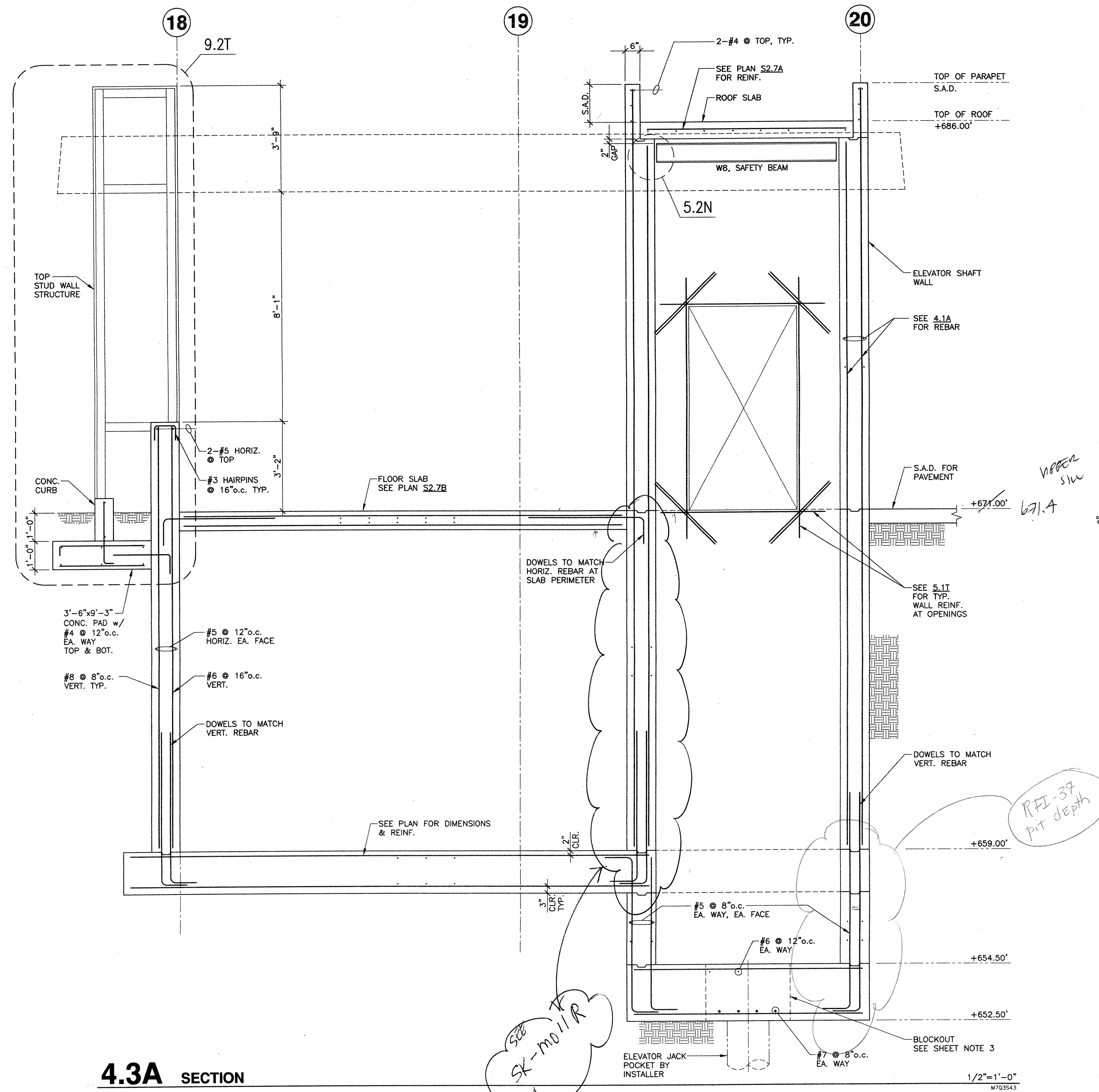
San Mateo County Community College District

DSA BACK-CHECK

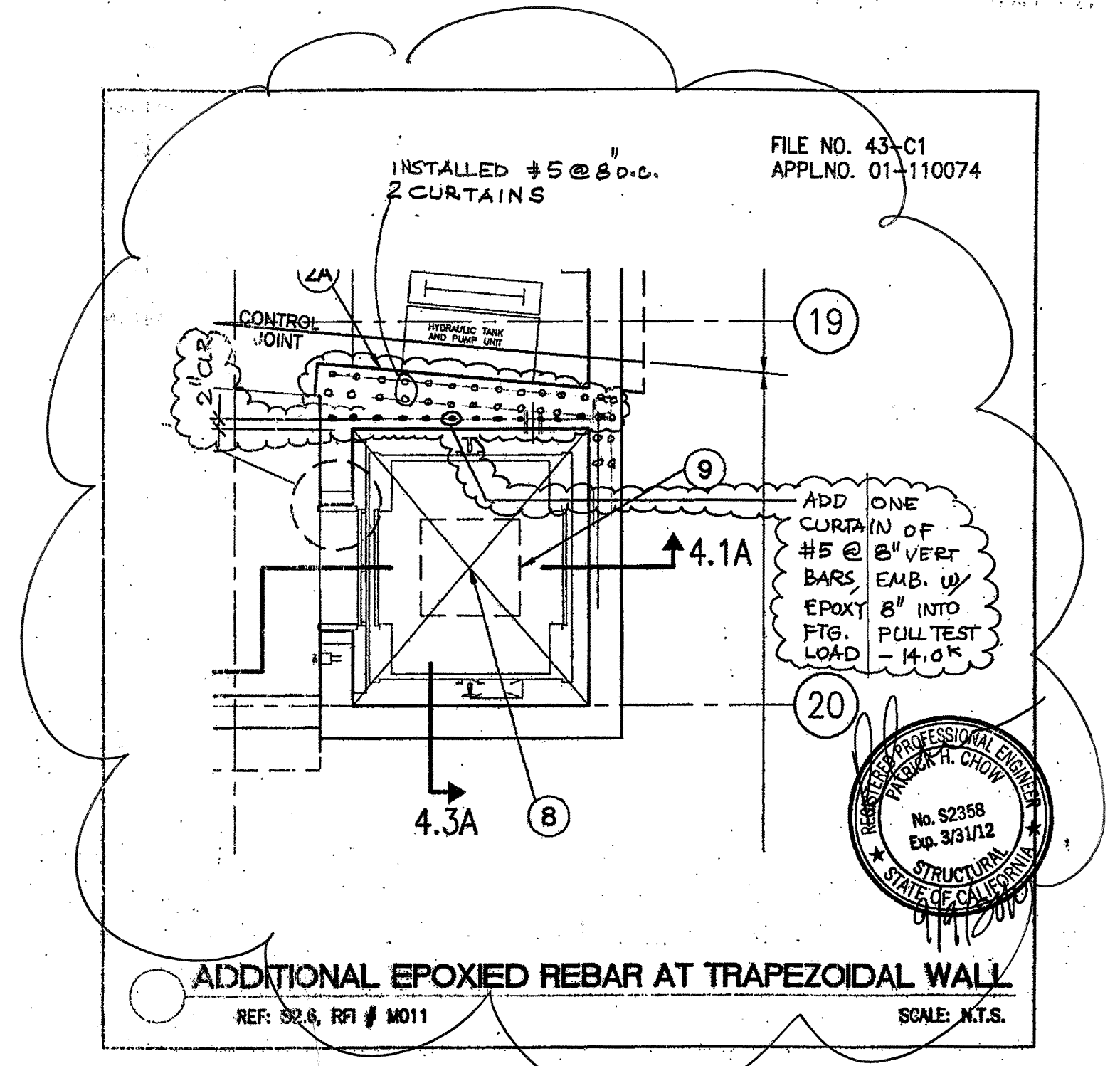
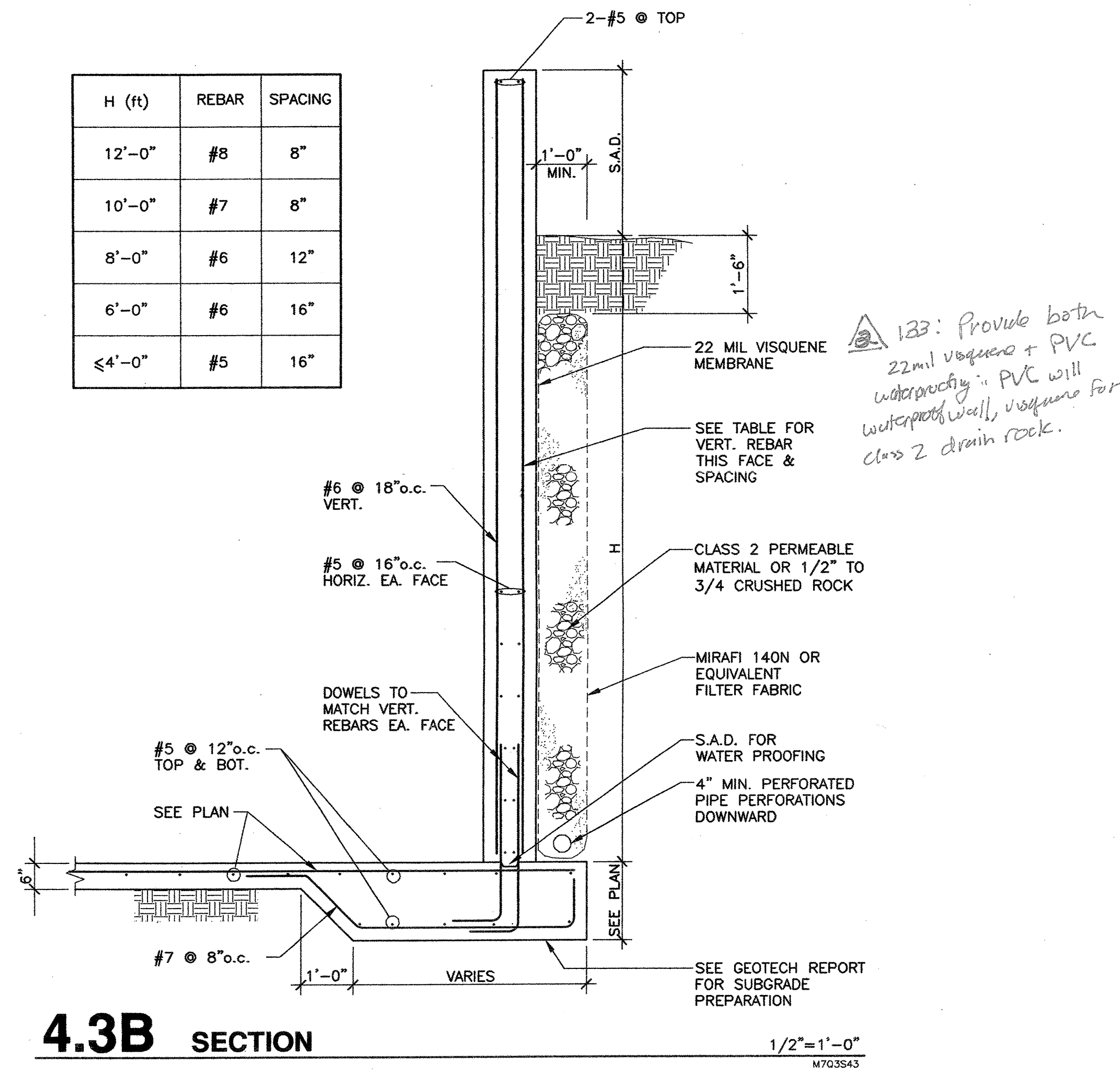
**CAÑADA COLLEGE**  
4200 Farm Hill Boulevard  
Redwood City, CA 94061

SECTION

Date: 12/31/08  
Drawing Number: S4.3  
Scale: AS NOTED  
Project Number: 07013



H (ft)	REBAR	SPACING
12'-0"	#8	8"
10'-0"	#7	8"
8'-0"	#6	12"
6'-0"	#6	16"
≤4'-0"	#5	16"



**BCA** architecture planning interiors

Project Name: CAÑADA COLLEGE - BUILDINGS 5 & 6 RENOVATIONS  
SAN MATEO COUNTY COMMUNITY COLLEGE DISTRICT  
4200 FARM HILL BOULEVARD  
REDWOOD CITY, CA 94061  
FILE NO. 43-C1 APPL. 01-110074

Date: 09/29/08  
Drawing Number: SK-M011R  
Project Number: 07013