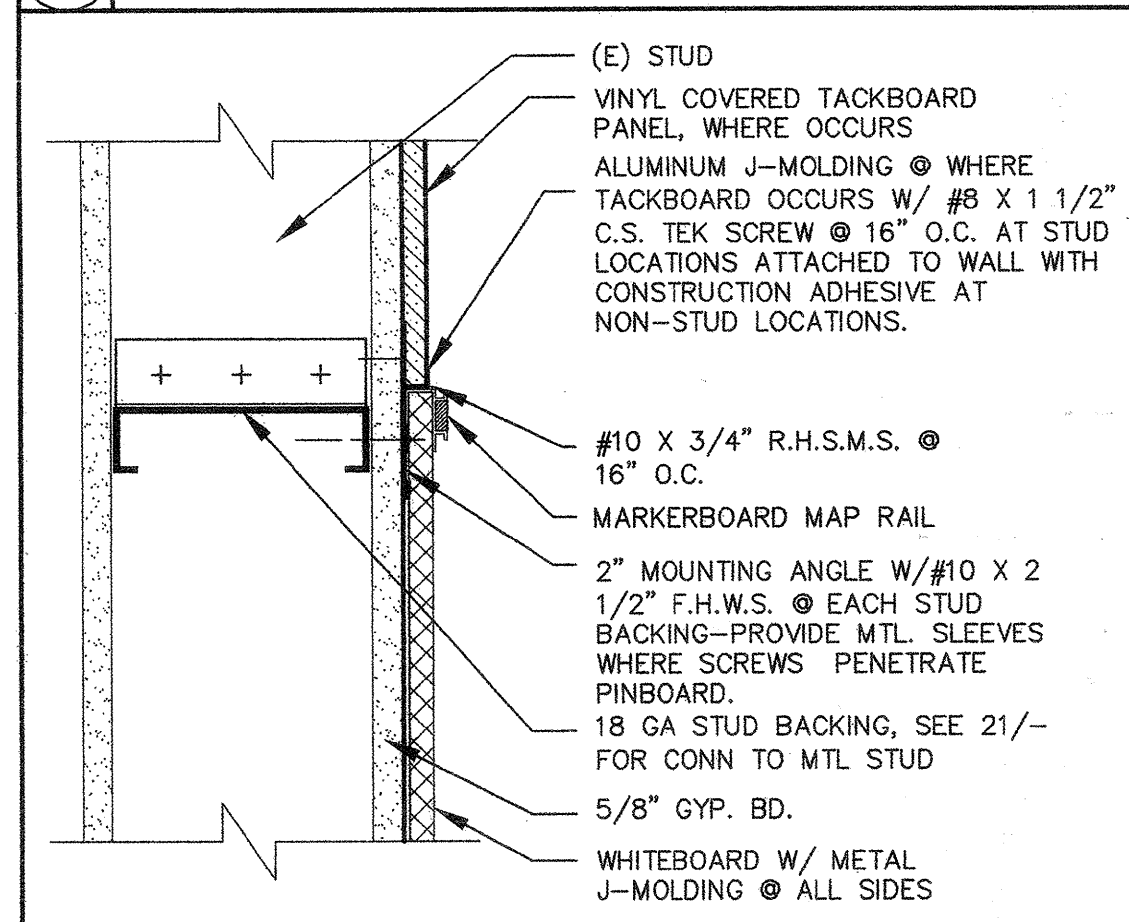
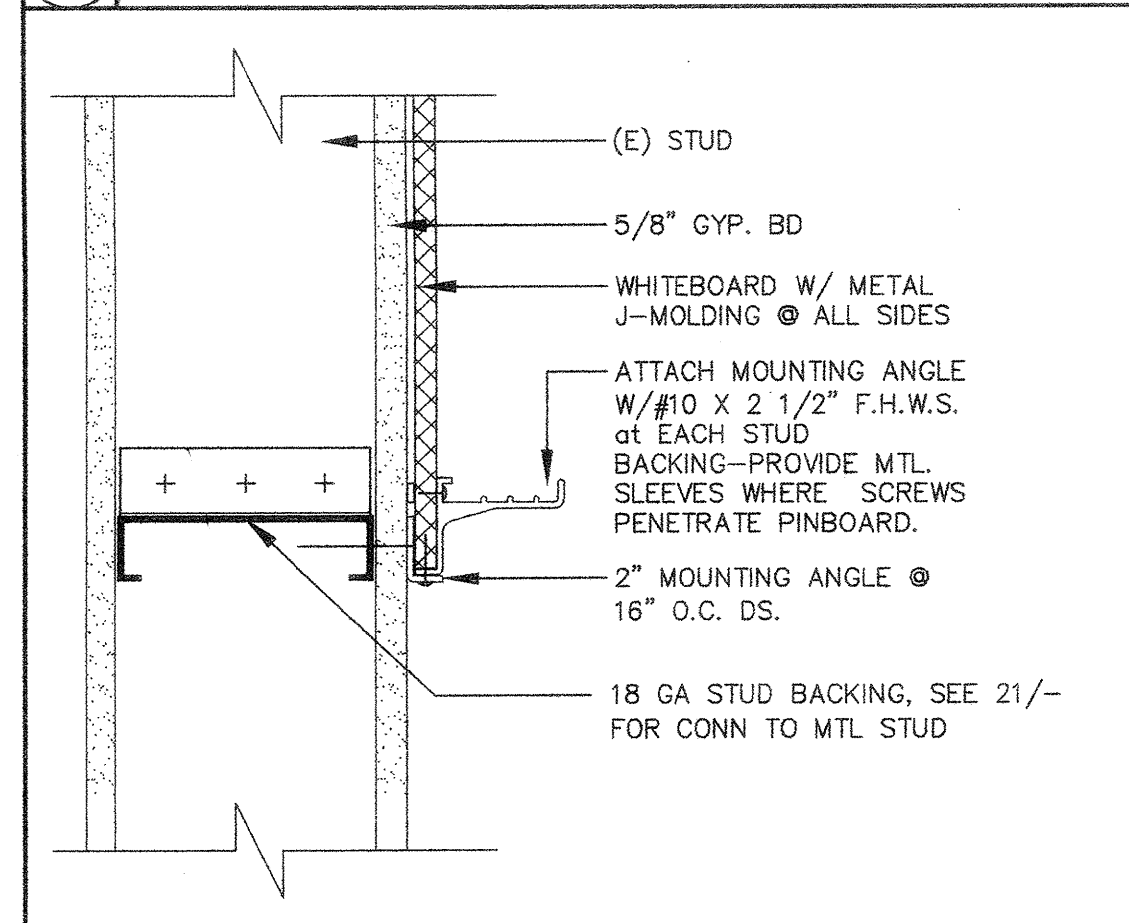


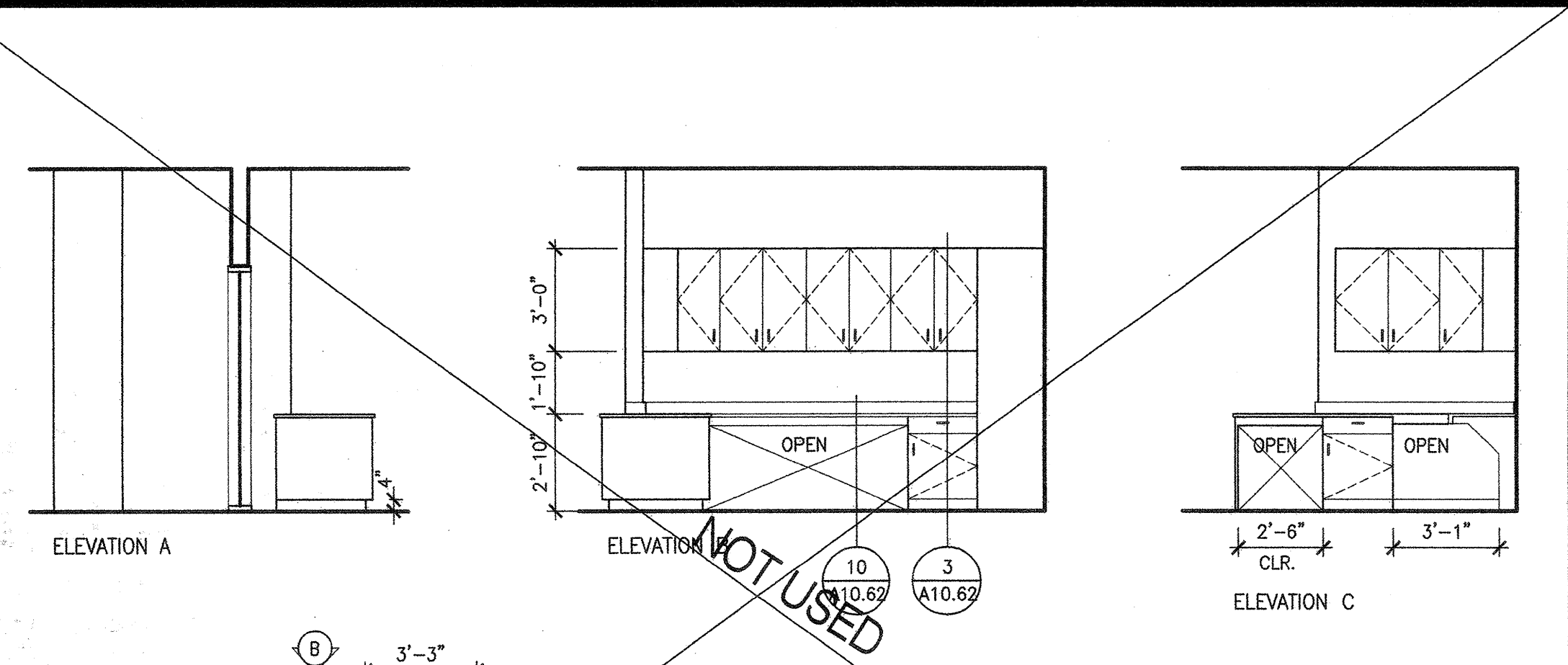
21 WALL MOUNTED PROJECTION SCREEN 3" = 1'-0"



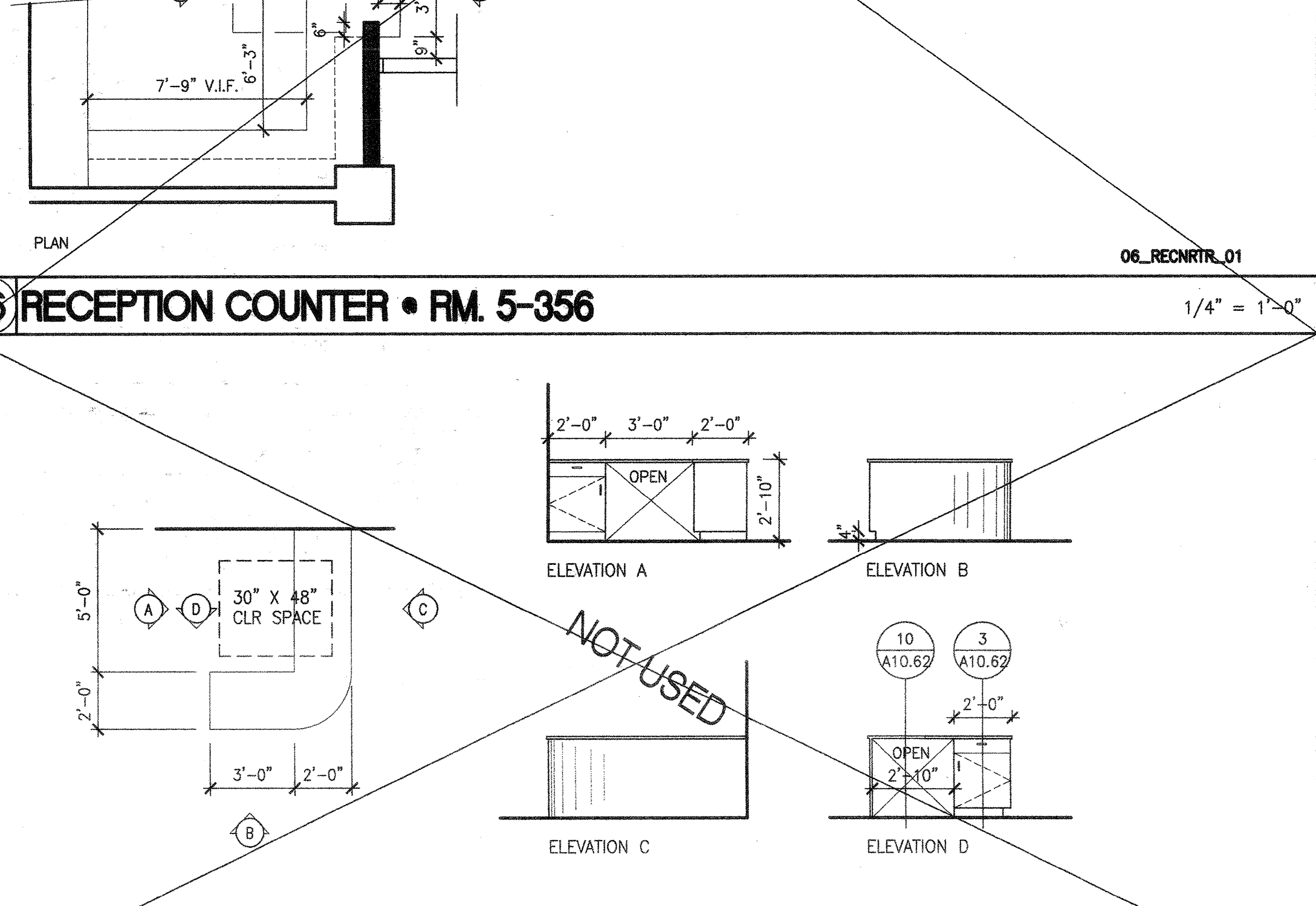
22 ANCHORAGE AT HEAD WHITE BOARD 3" = 1'-0"



23 ANCHORAGE AT BASE WHITE BOARD 3" = 1'-0"

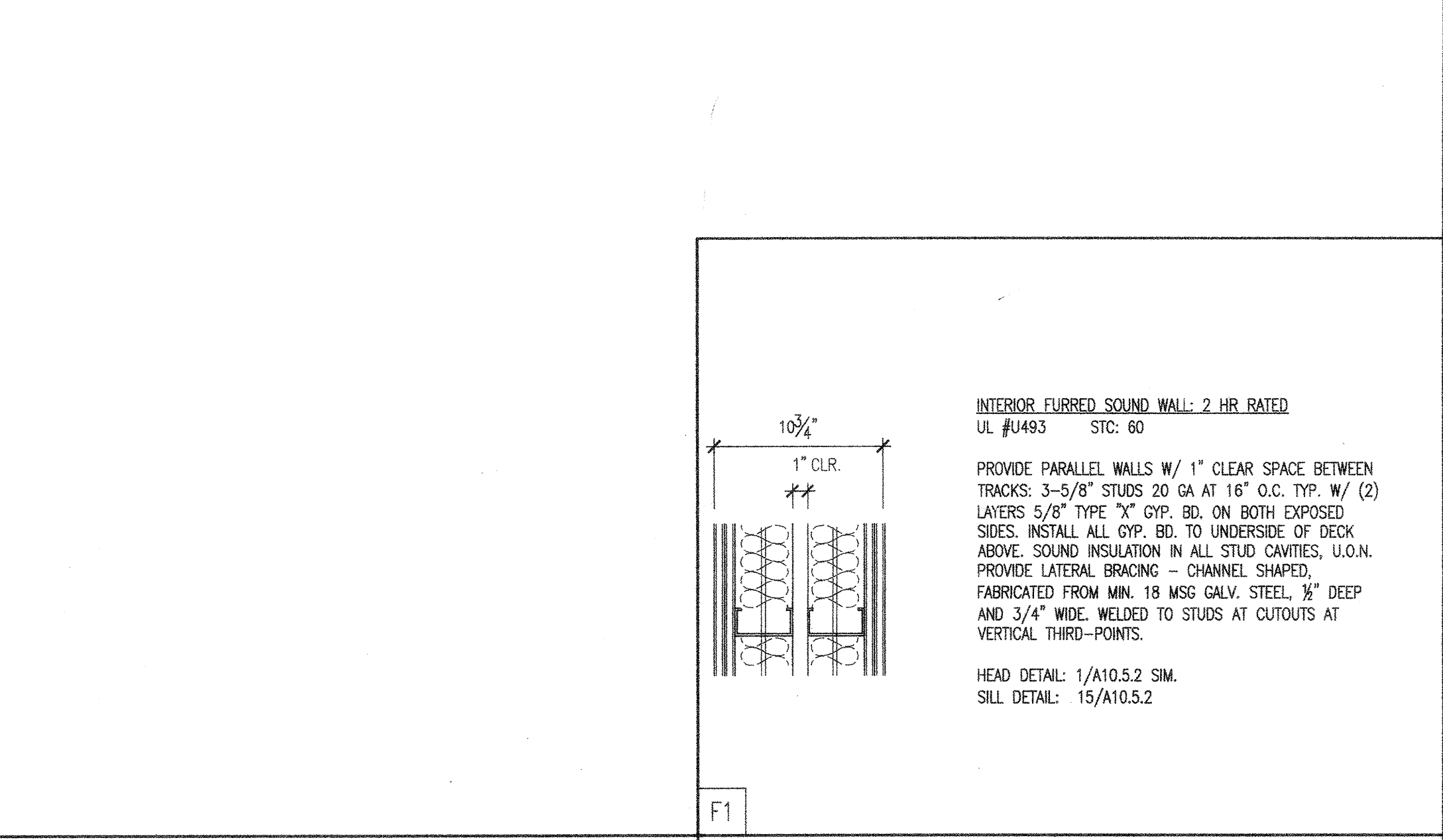


16 RECEPTION COUNTER • RM. 5-356 1/4" = 1'-0"

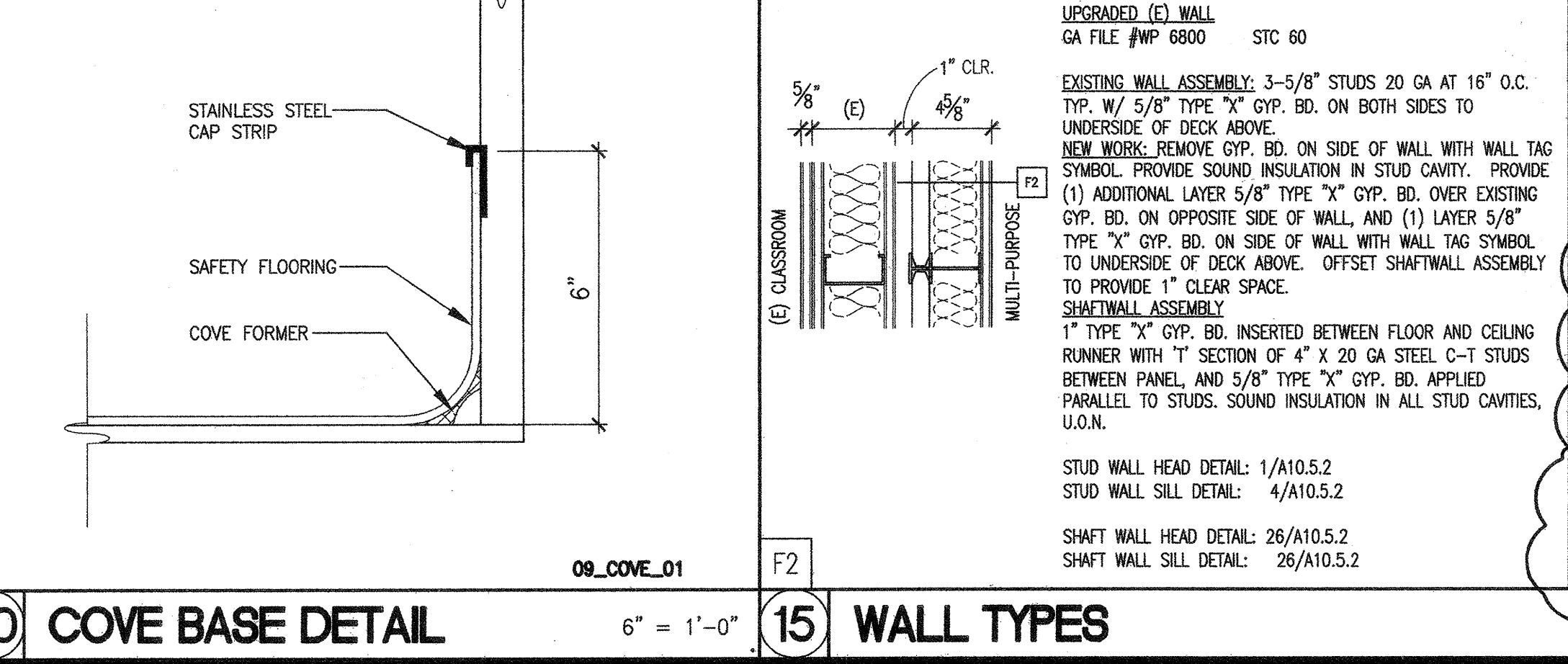


17 RECEPTION COUNTER • RM. 5-303 1/4" = 1'-0"

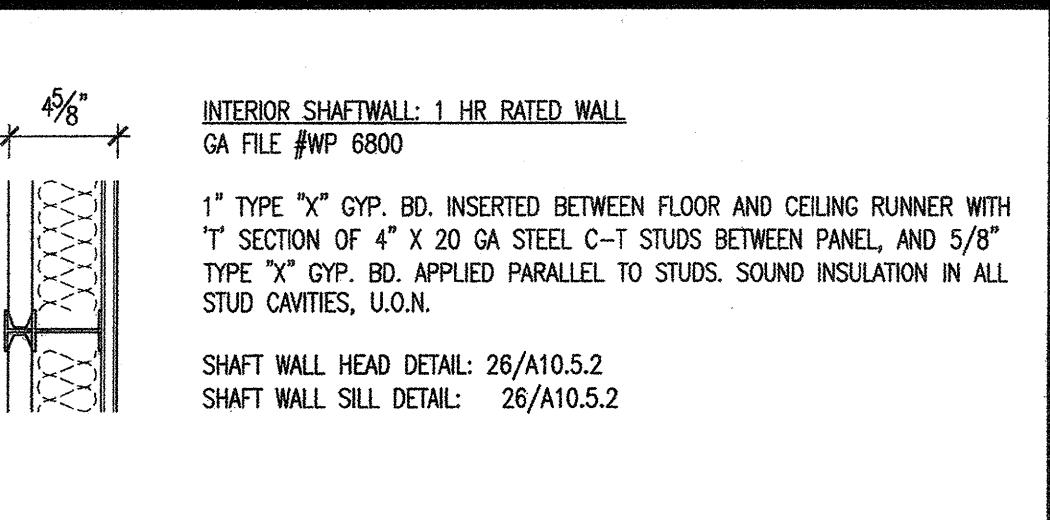
REFINISH/BFPI'S
wall type PG (see)



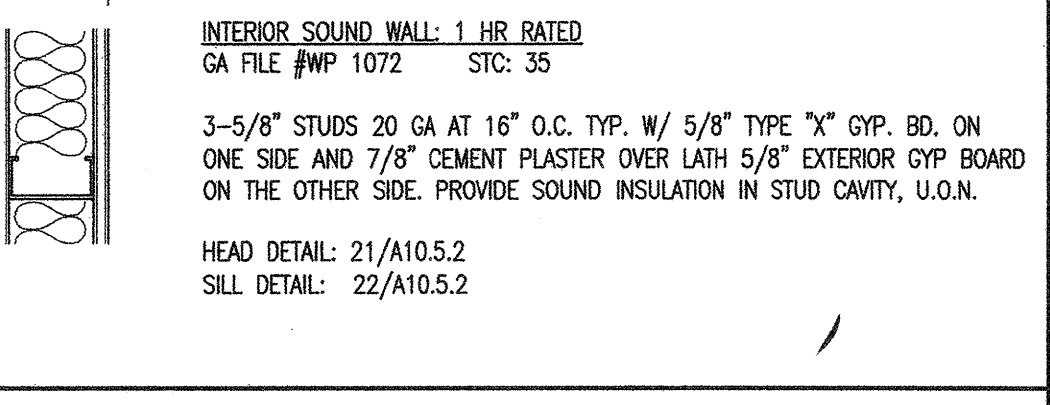
20 COVE BASE DETAIL 6" = 1'-0"



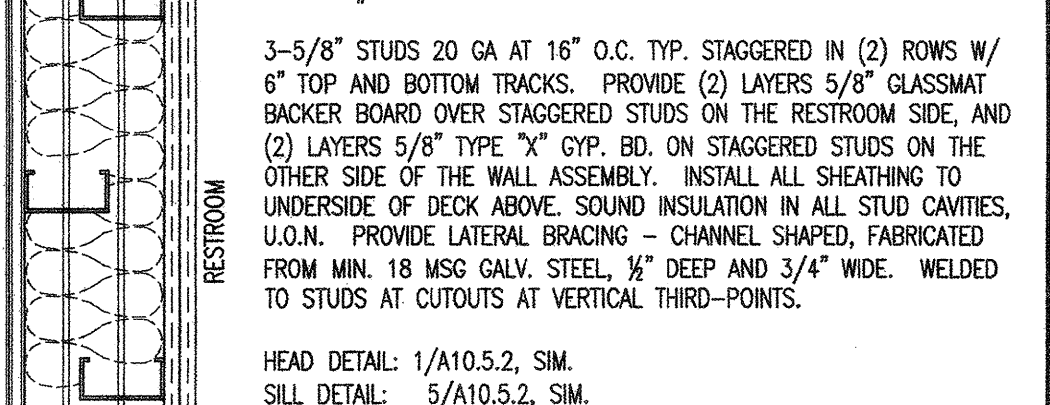
15 WALL TYPES 1-1/2" = 1'-0"



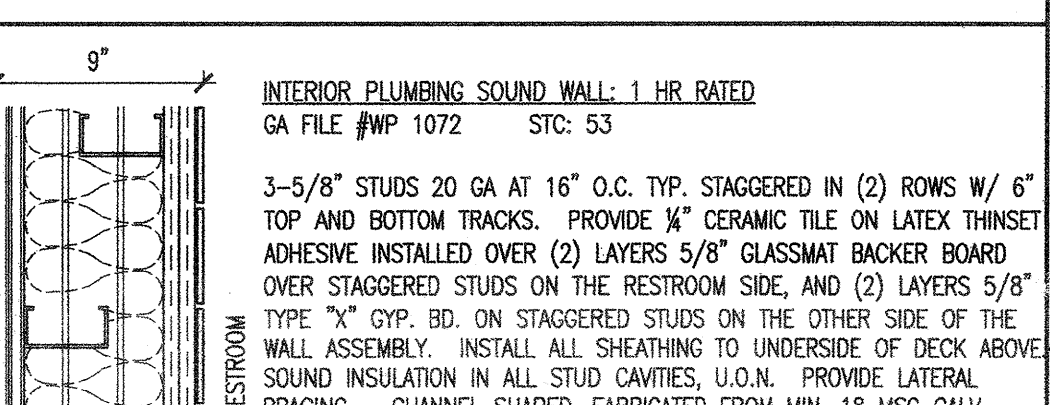
B8 INTERIOR SHAFT WALL 1 HR. RATED GA FILE #WP 6800



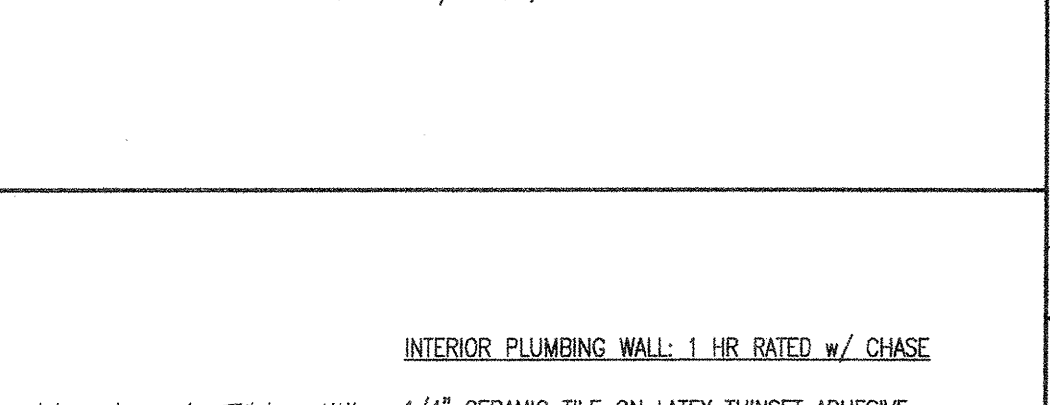
B9 INTERIOR SOUND WALL 1 HR. RATED GA FILE #WP 1072 STC: 35



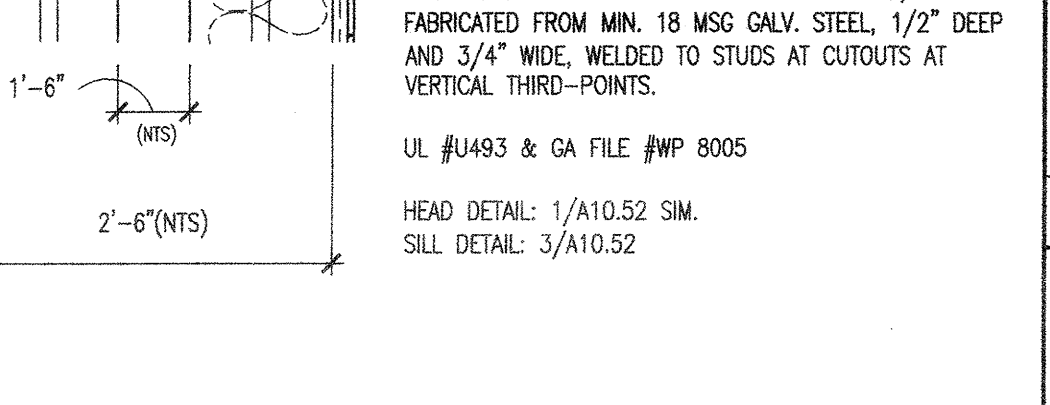
B10 INTERIOR SOUND WALL 1 HR. RATED GA FILE #WP 1072 STC: 33



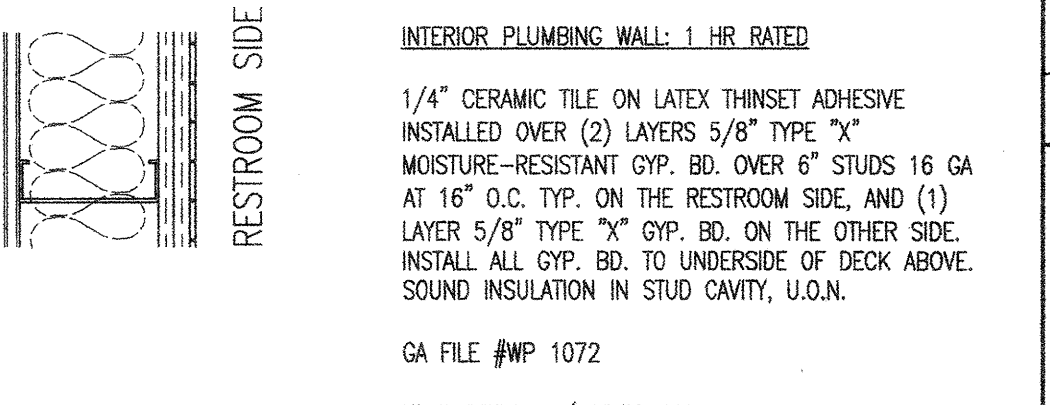
P1 INTERIOR PLUMBING SOUND WALL 1 HR. RATED GA FILE #WP 1072 STC: 53



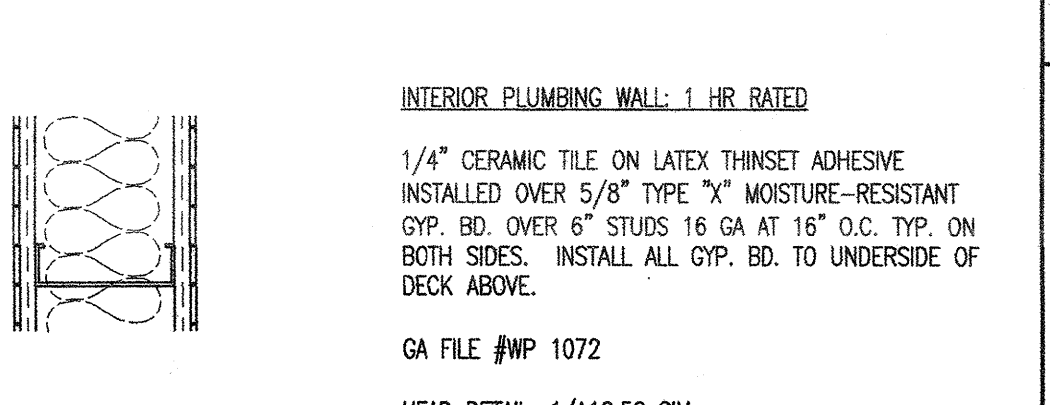
P2 INTERIOR PLUMBING SOUND WALL 1 HR. RATED GA FILE #WP 1072 STC: 53



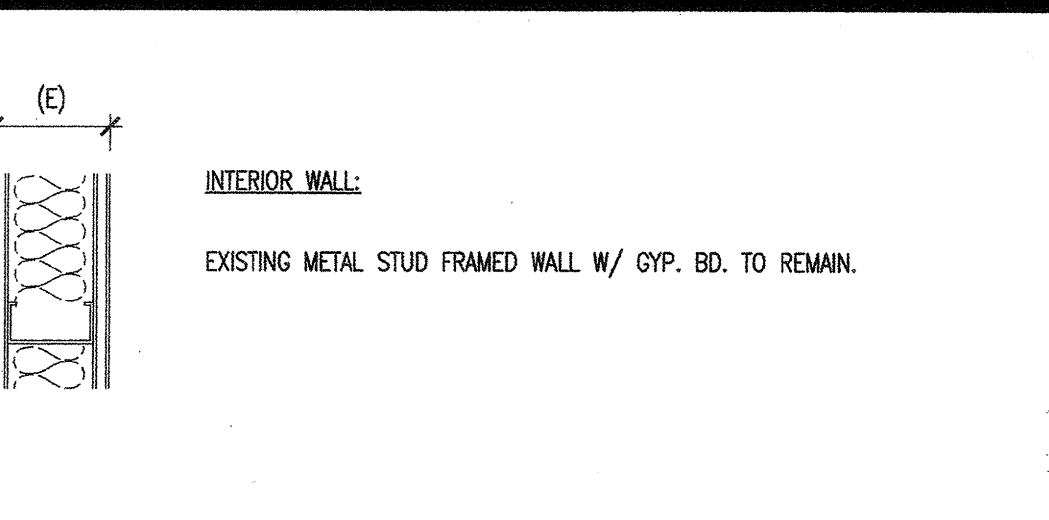
P3 INTERIOR PLUMBING SOUND WALL 1 HR. RATED GA FILE #WP 1072 STC: 53



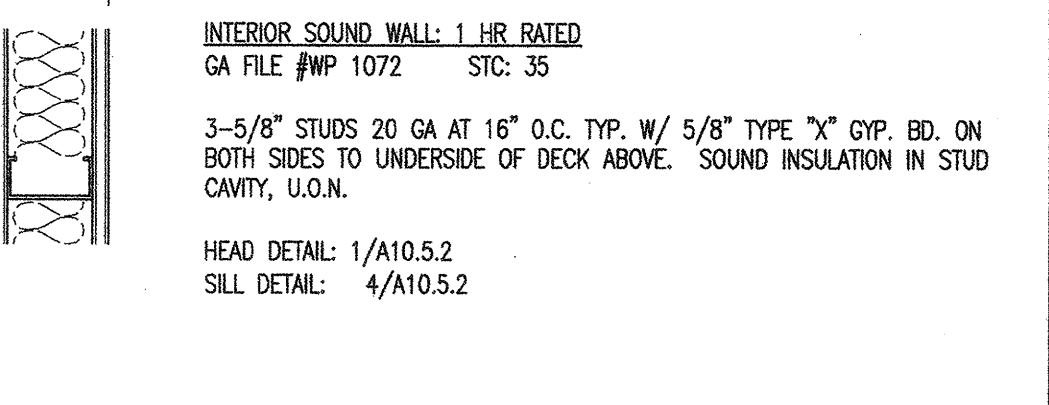
P4 INTERIOR PLUMBING SOUND WALL 1 HR. RATED GA FILE #WP 1072 STC: 53



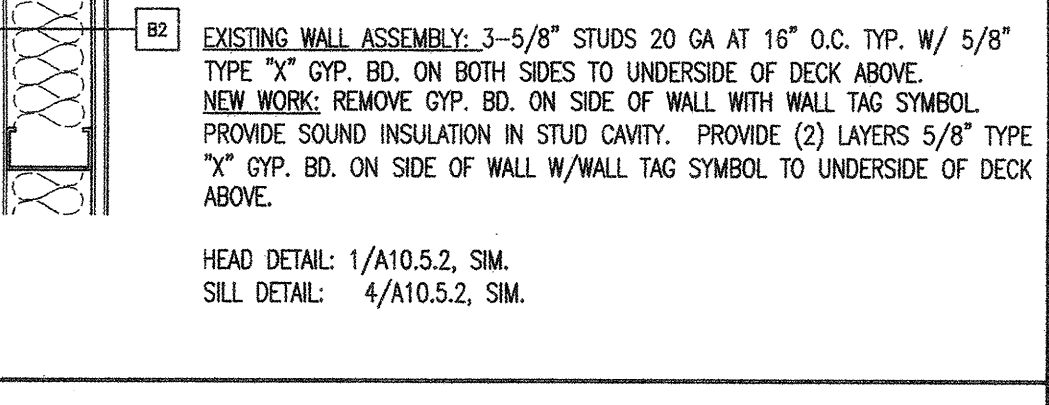
P5 INTERIOR PLUMBING SOUND WALL 1 HR. RATED GA FILE #WP 1072 STC: 53



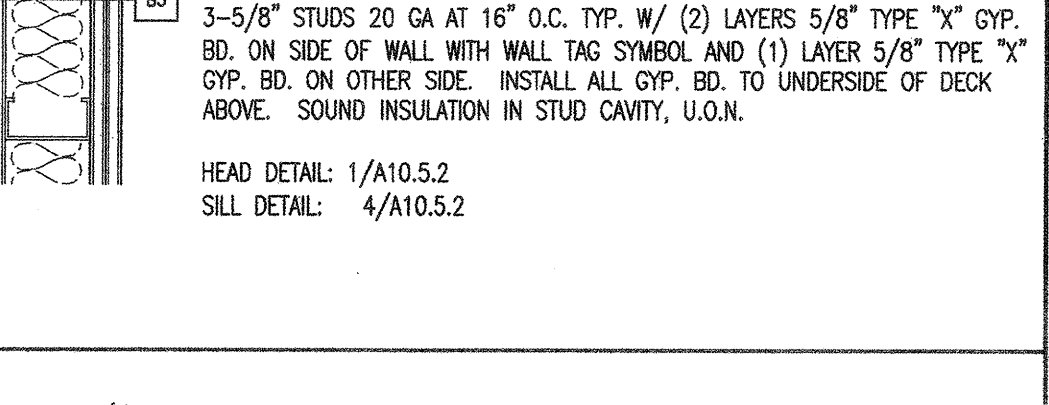
A1 INTERIOR WALL EXISTING METAL STUD FRAMED WALL W/ GYP. BD. TO REMAIN.



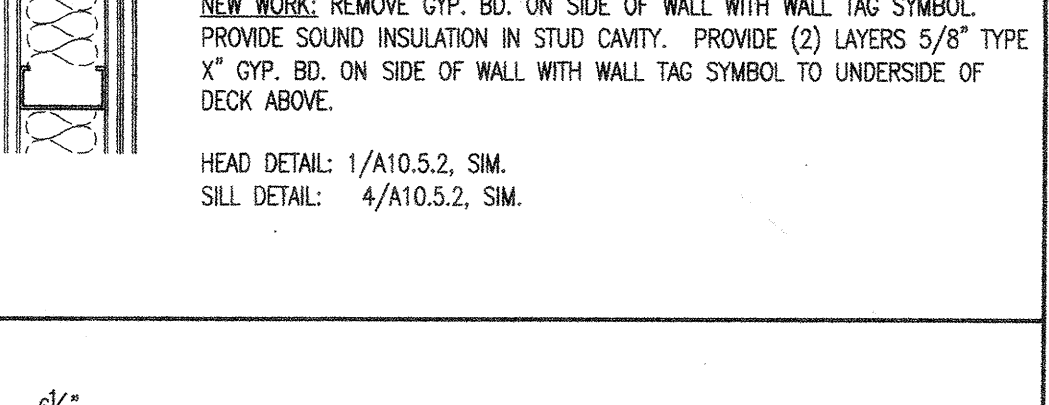
B1 INTERIOR SOUND WALL 1 HR. RATED GA FILE #WP 1072 STC: 35



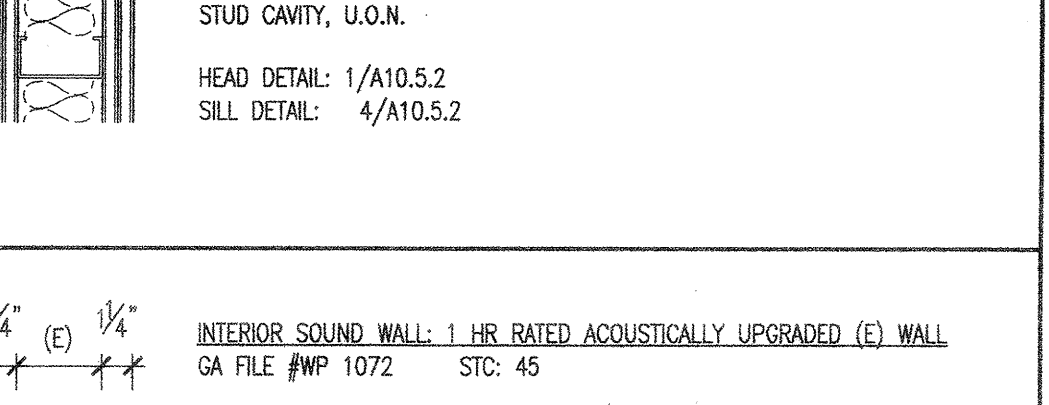
B2 INTERIOR SOUND WALL 1 HR. RATED GA FILE #WP 1072 STC: 35



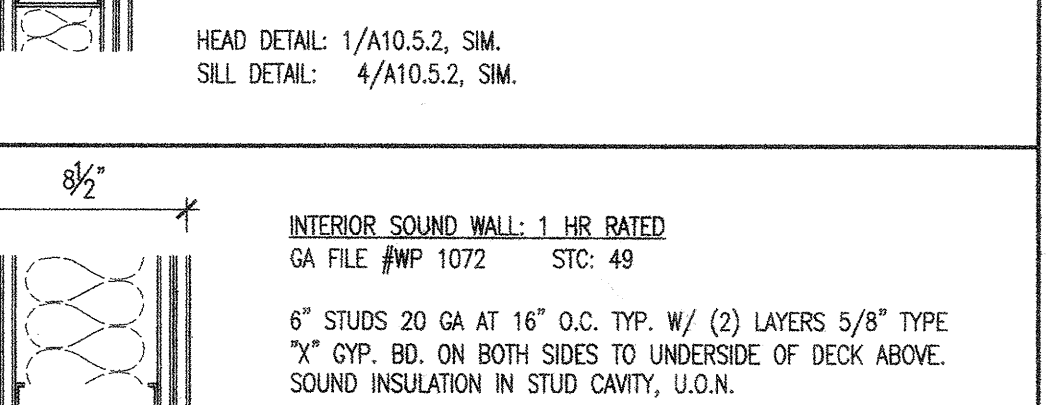
B3 INTERIOR SOUND WALL 1 HR. RATED GA FILE #WP 1072 STC: 39



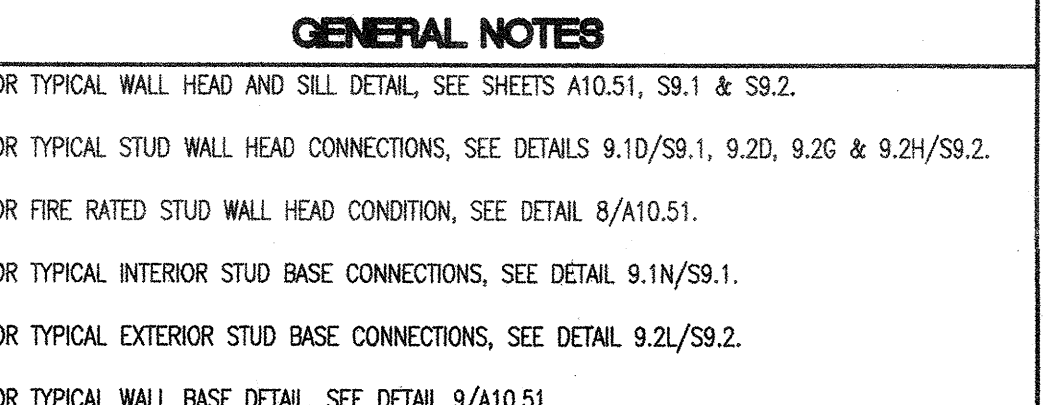
B4 INTERIOR SOUND WALL 1 HR. RATED GA FILE #WP 1072 STC: 39



B5 INTERIOR SOUND WALL 2 HR. RATED GA FILE #WP 1522 STC: 45



B6 INTERIOR SOUND WALL 1 HR. RATED GA FILE #WP 1072 STC: 49



B7 INTERIOR SOUND WALL 1 HR. RATED GA FILE #WP 1072 STC: 49

GENERAL NOTES

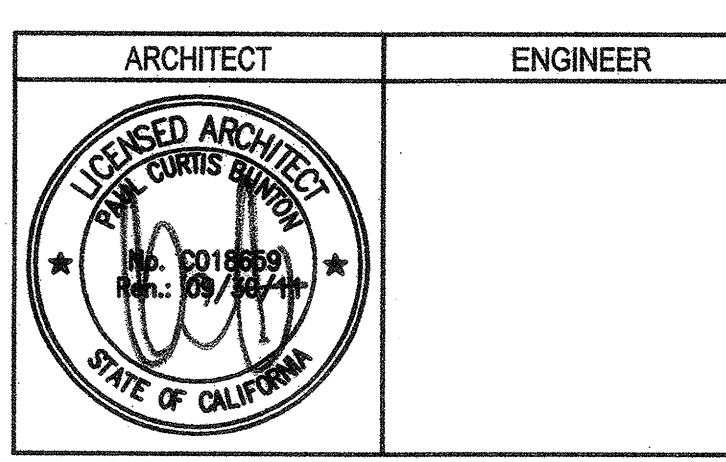
- FOR TYPICAL WALL HEAD AND SILL DETAILS, SEE SHEETS A10.51, S9.1 & S9.2.
- FOR TYPICAL STUD WALL HEAD CONNECTIONS, SEE DETAILS 9.10/S9.1, 9.20, 9.26 & 9.2H/S9.2.
- FOR FIRE RATED STUD WALL HEAD CONDITION, SEE DETAIL 8/A10.51.
- FOR TYPICAL INTERIOR STUD BASE CONNECTIONS, SEE DETAIL 9.1N/S9.1.
- FOR TYPICAL EXTERIOR STUD BASE CONNECTIONS, SEE DETAIL 9.2L/S9.2.
- FOR TYPICAL WALL BASE DETAIL, SEE DETAIL 9/A10.51.
- FOR WALL PENETRATIONS, SEE DETAILS 23, 24, 27, 28 & 29/A10.51.
- FOR ACCESS PANELS, SEE DETAIL -/A10.51.
- FOR FIRE RATING REFERENCES, SEE SHEET A10.81. THESE REFERENCES RELATE TO THE UL AND GA FILE NO.'S LISTED FOR EACH WALL TYPE.
- SEE SHEETS A2.1 THROUGH A2.4 FOR WALL TYPE LOCATIONS.
- ALL SOUND WALLS SHALL BE CALKED AT PERIMETER & AT PENETRATIONS W/ ACOUSTICAL CALK.
- PROVIDE WATER RESISTANT SHEATHING AT WALLS SHOWN TO RECEIVE TILE ON FINISH PLANS AND INTERIOR ELEVATIONS.

LEGEND

WALL TYPE	DESCRIPTION
A	NON-RATED WALL PARTITIONS
B	RATED WALL PARTITIONS
F	SHAFT WALLS/ FLURRED WALLS
P	PLUMBING WALLS

WALL TYPES

1-1/2" = 1'-0"



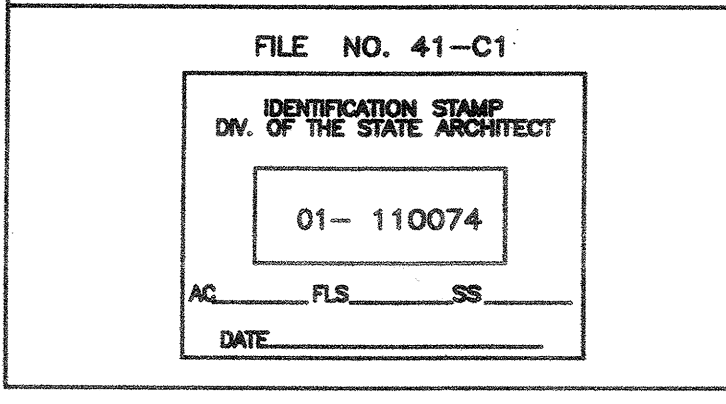
1. This sheet is part of a set and is not to be used alone.
2. This sheet is not to be used for construction unless the architect's stamp and signature appear on the drawings and the status box indicates drawings have been released for construction.
3. These plans and prints, when used as instruments of service, are owned by the architect and are for use on this project only. Reproduction and/or distribution without the prior written consent of the architect is forbidden.
4. Copyright Burton Clifford Associates, 2009

REVISIONS

NO.	DESCRIPTION	DATE
1	ADDENDUM NO. 1	08/18/08
2	ADDENDUM NO. 2	11/09/08

DRAWING STATUS

STATUS	DATE
DBA PLAN CHECK	08/28/08
DBA BACK CHECK	01/22/09
BIDDING	08/18/09
CONSTRUCTION	



BUILDINGS 5 & 6 RENOVATIONS

San Mateo County Community College District

APPROVED
BY THE STATE ARCHITECT
AC 271, PLS. 616 SS, JG
DATE 11/10/07 - DATE 5/24/10

CAÑADA COLLEGE
4200 Farm Hill Boulevard
Redwood City, CA 94061

WALL TYPES & CASEWORK DETAILS