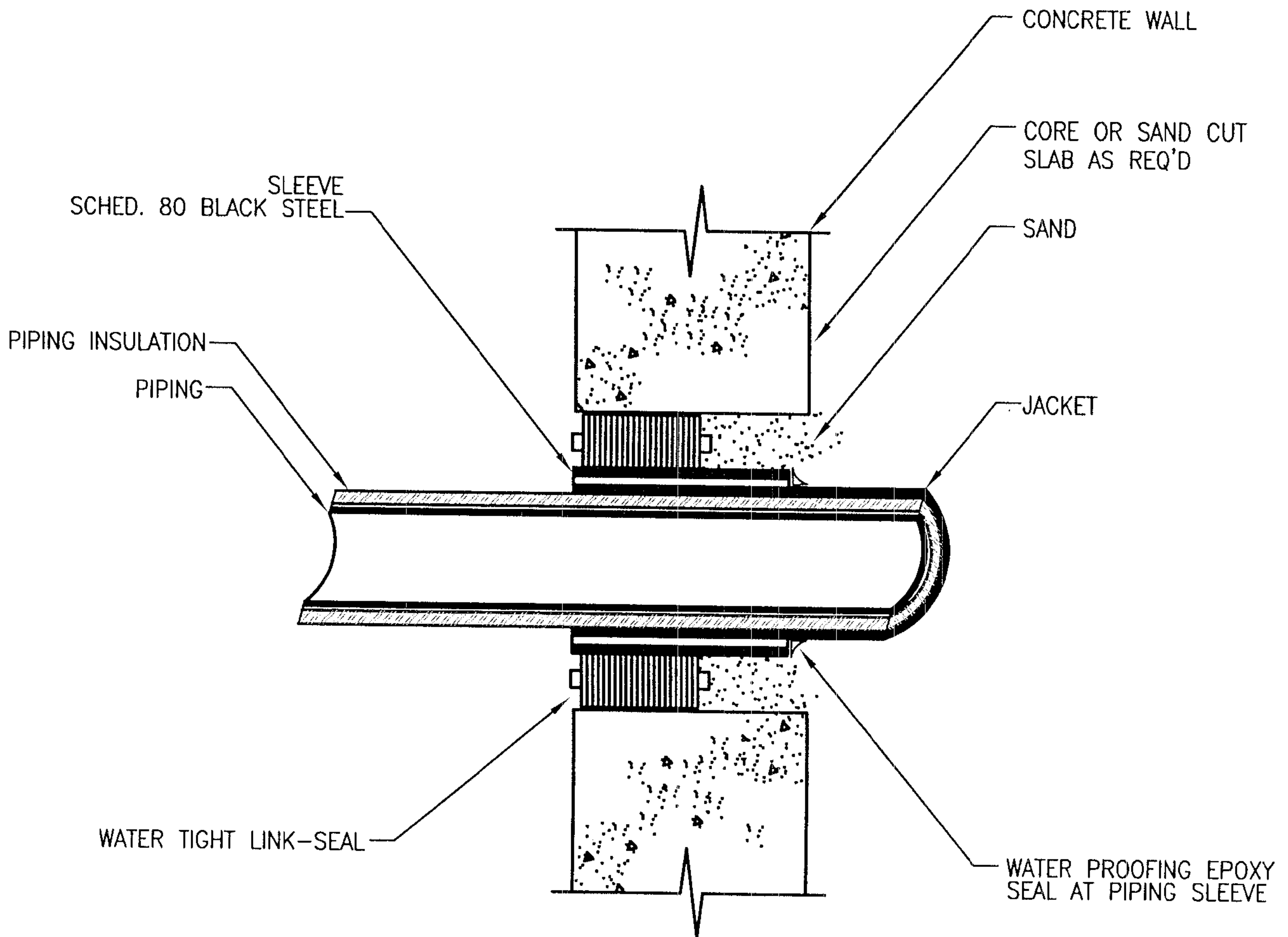


FILE NO. 41-C1
 APPL.NO. 01-109554



BCA

architecture
 planning
 interiors

210 Hammond Ave.
 Fremont, California 94539
 [T] 510.445.1000
 [F] 510.445.1005

Contact
 Omar Hawil
 Project
 2007-0730

INTERFACE
 ENGINEERING

214 GRANT AVE., SUITE 450, SAN FRANCISCO, CA 94108
 PHONE 415-489-7240 FAX 415-489-7289

Title:

PIPING THRU WALL BELOW GRADE

Project Name:

CAÑADA COLLEGE
 BLDG 8 PHASE 2 RENOVATION
 4200 Farm Hill Blvd.
 Redwood City, CA 94061
 FILE NO. 41-C1 APPL. 01-109554

Revision:

Date
 06/12/08

Scale
 AS NOTED

Project Number

07014

ASI No.:-

Drawing Number

PSK-B