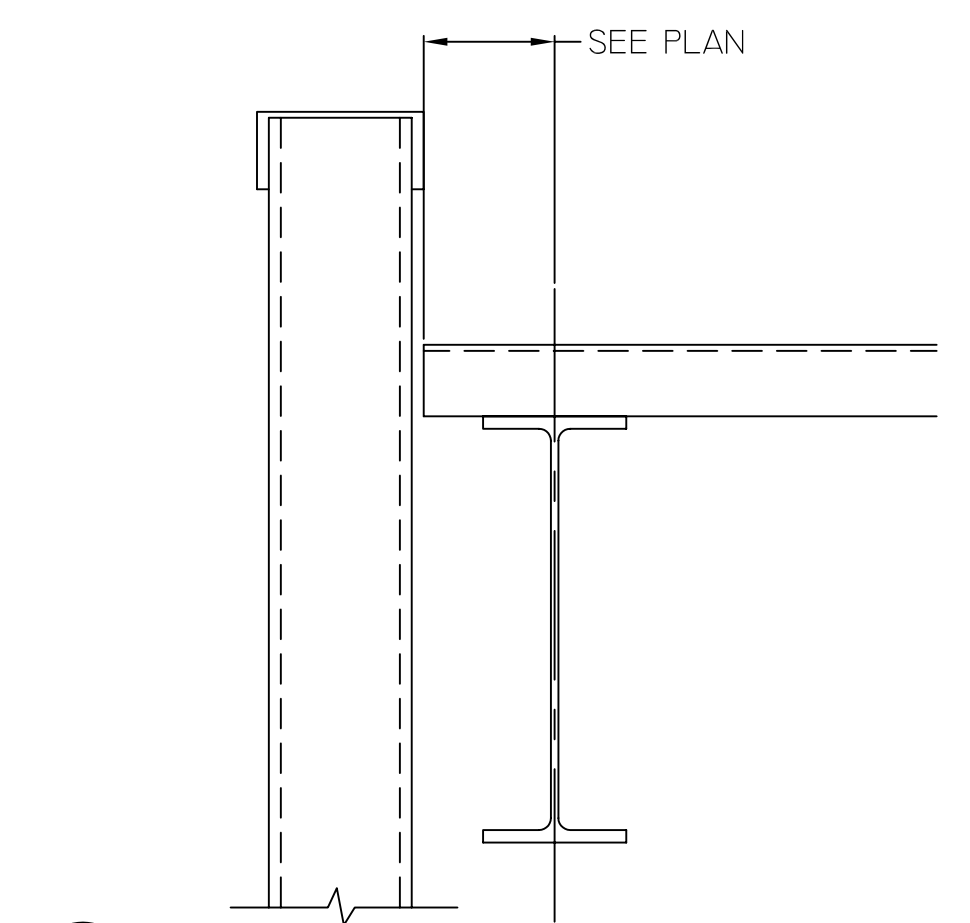
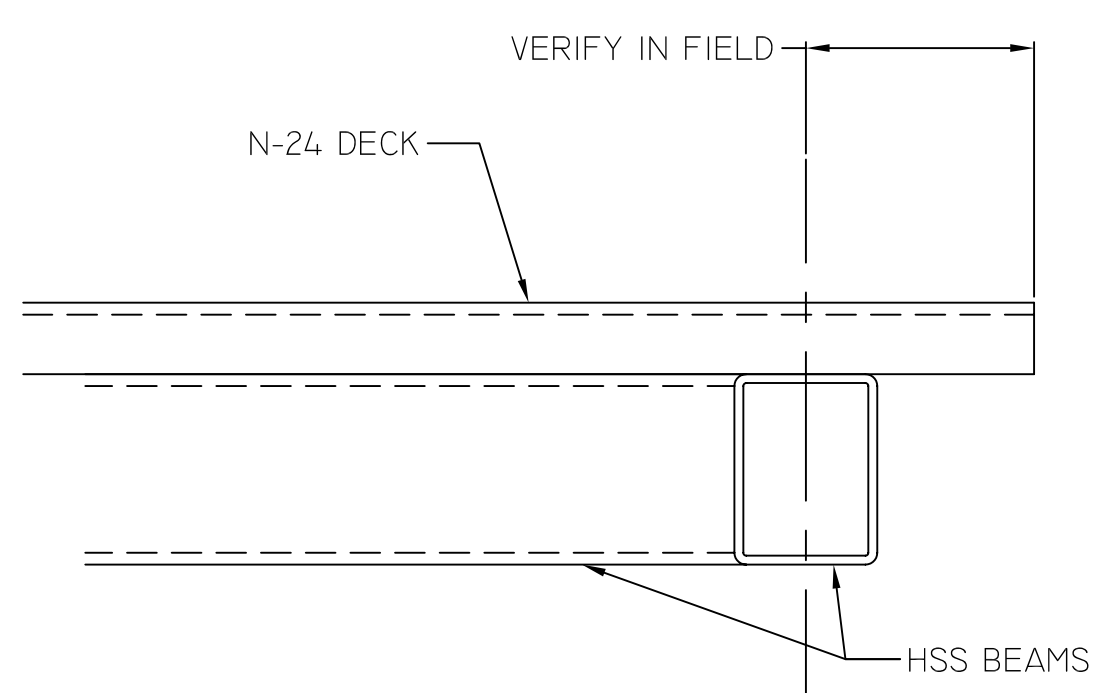


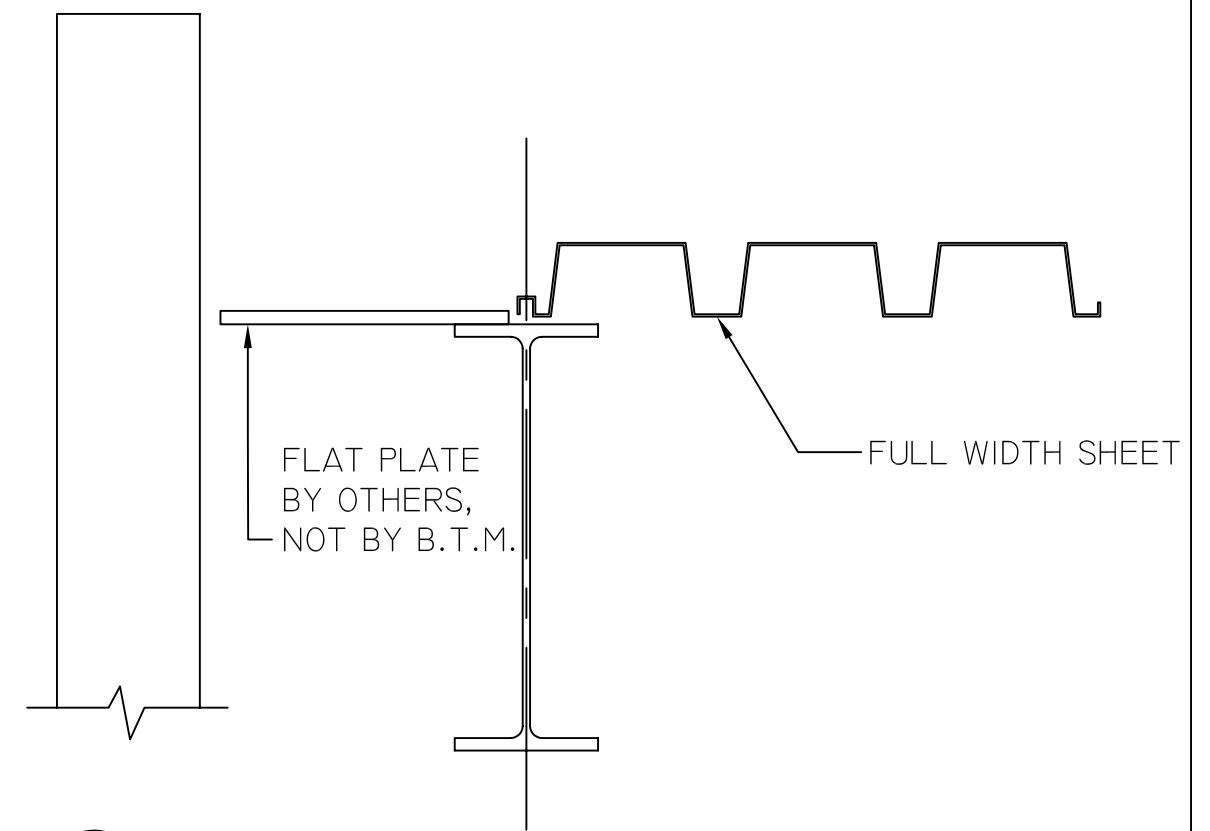
1
DI REF: 16/S7.1



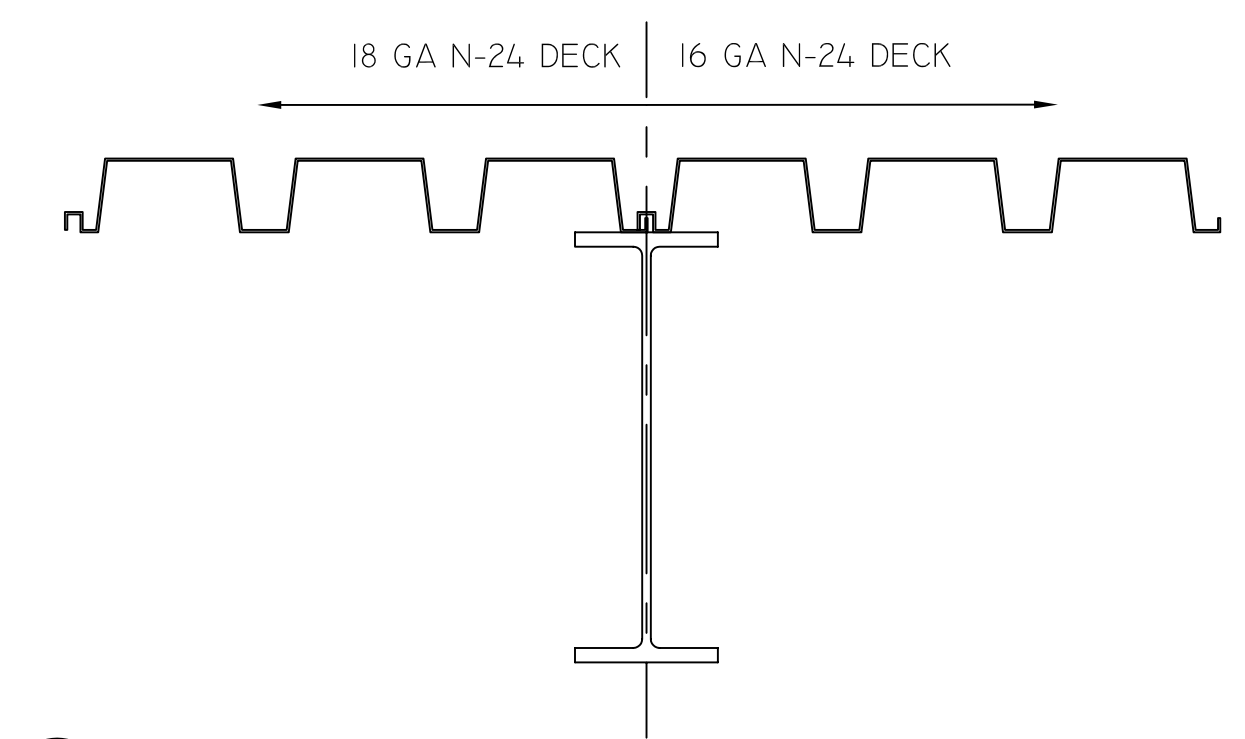
2
DI REF: 15/S7.1



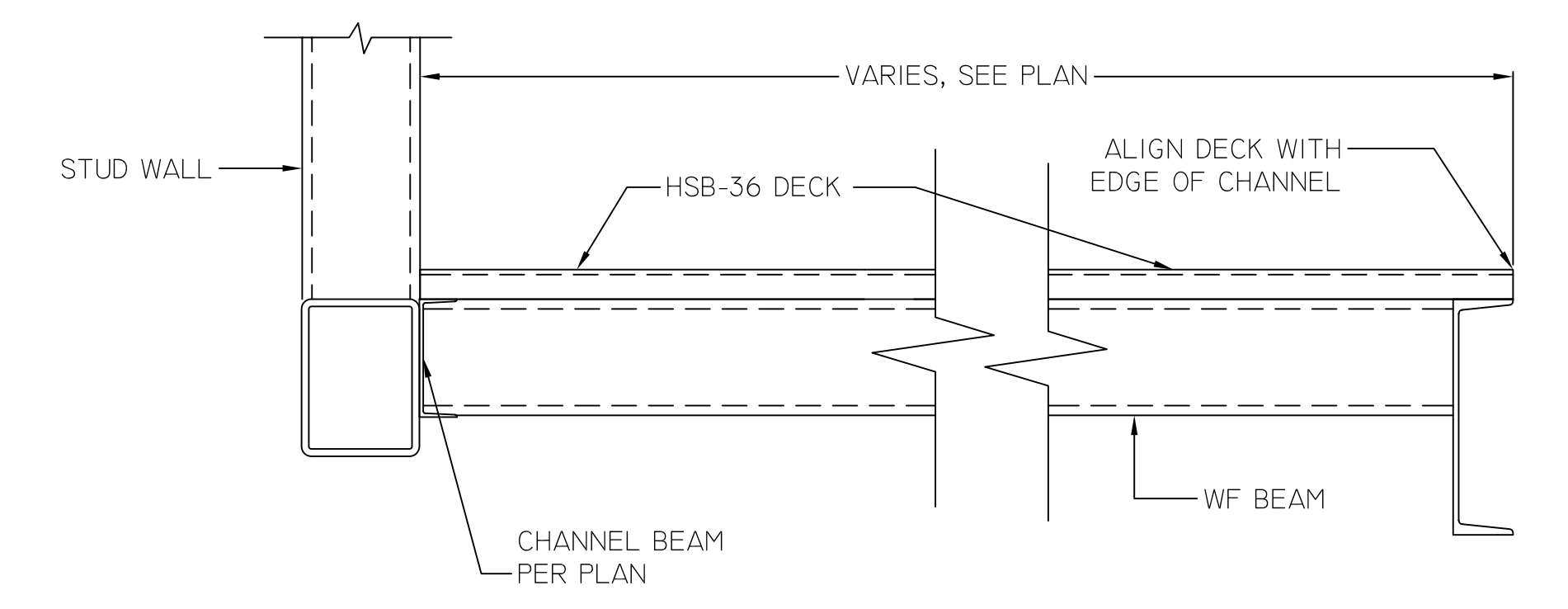
3
DI REF: 17/S7.2



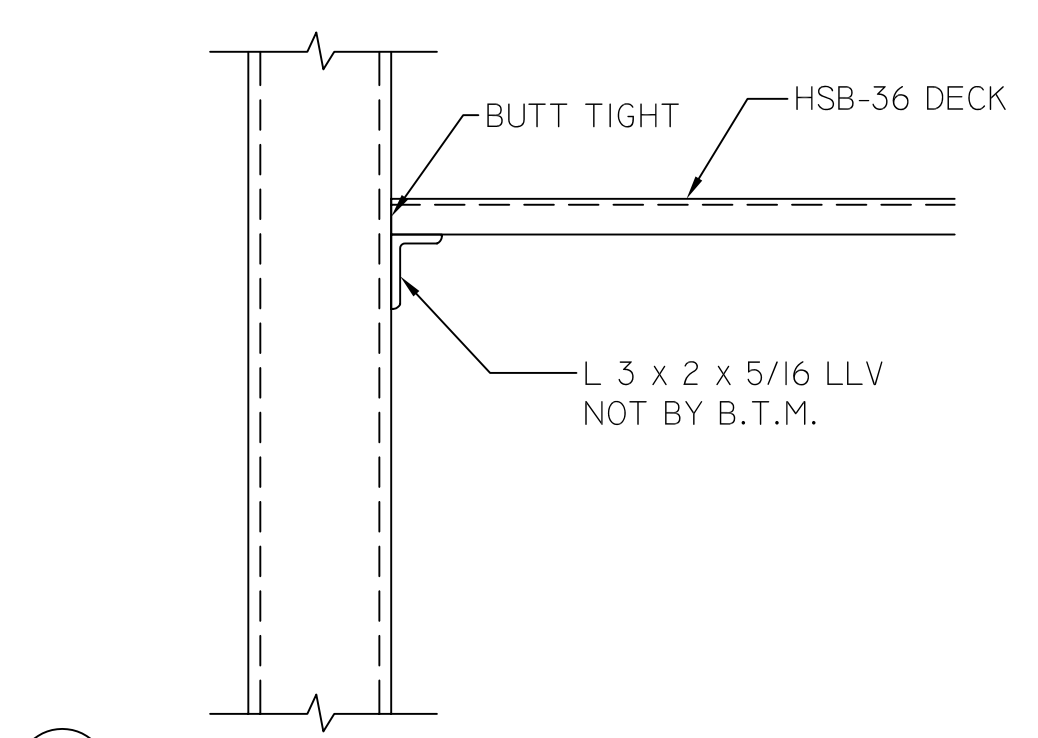
4
DI REF: 14/S7.1



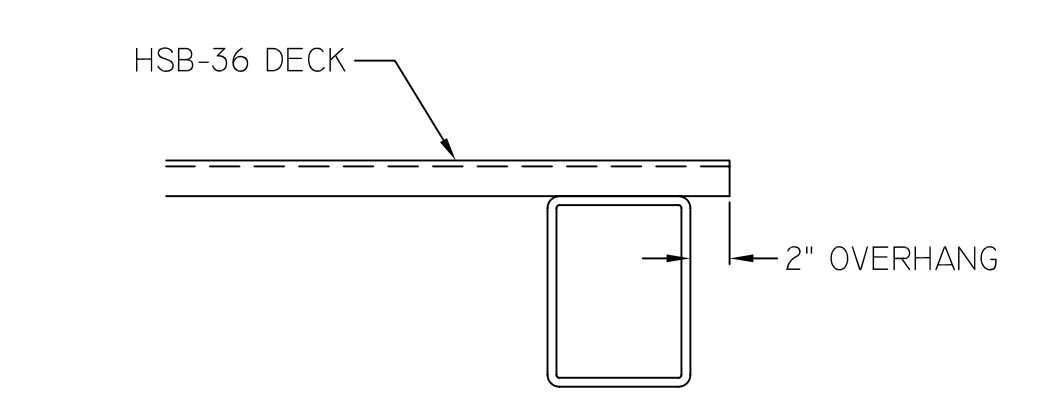
5
DI REF: 4C, 17/S7.1



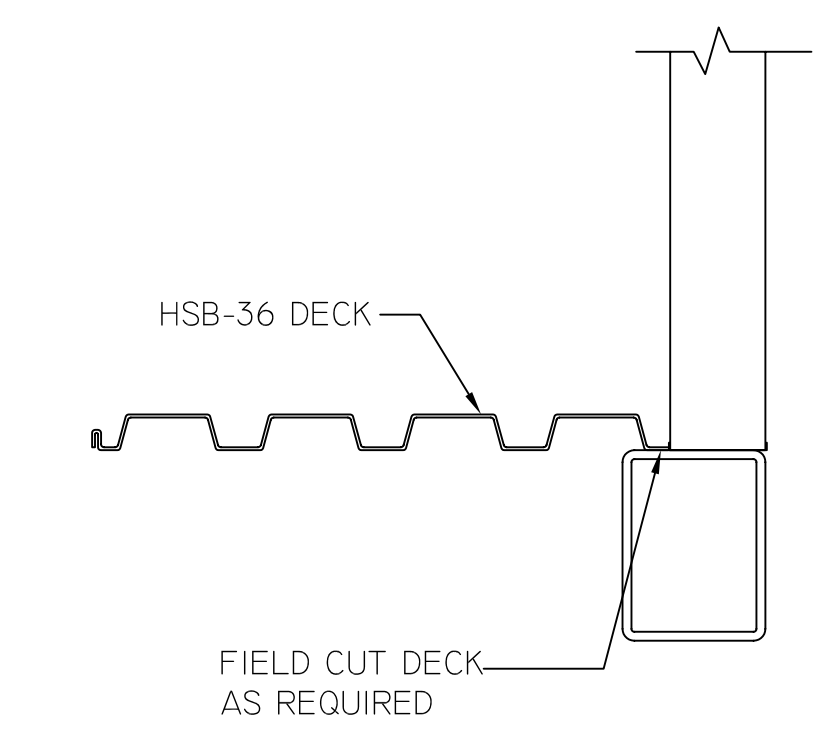
6
DI REF: 8,9/S7.4



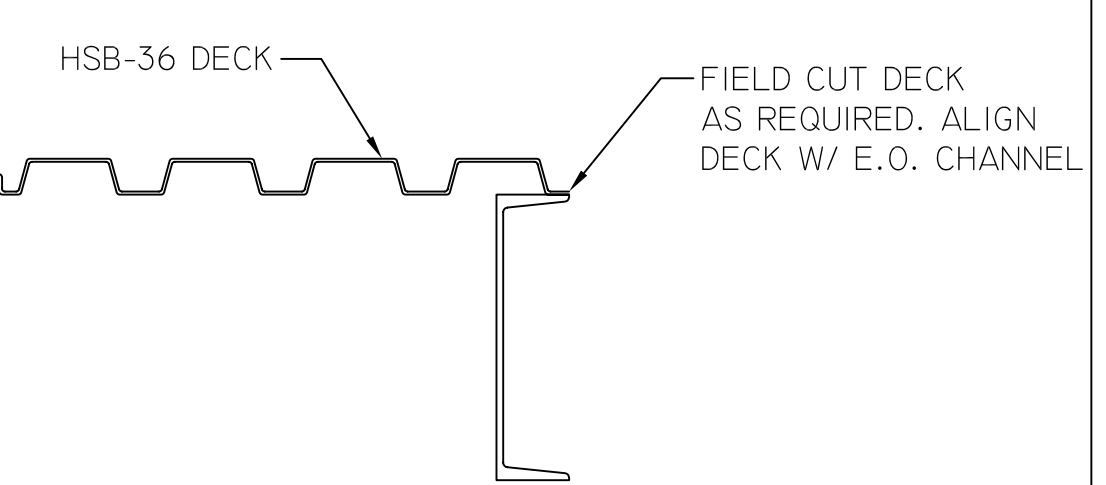
7
DI REF: 18/S7.1



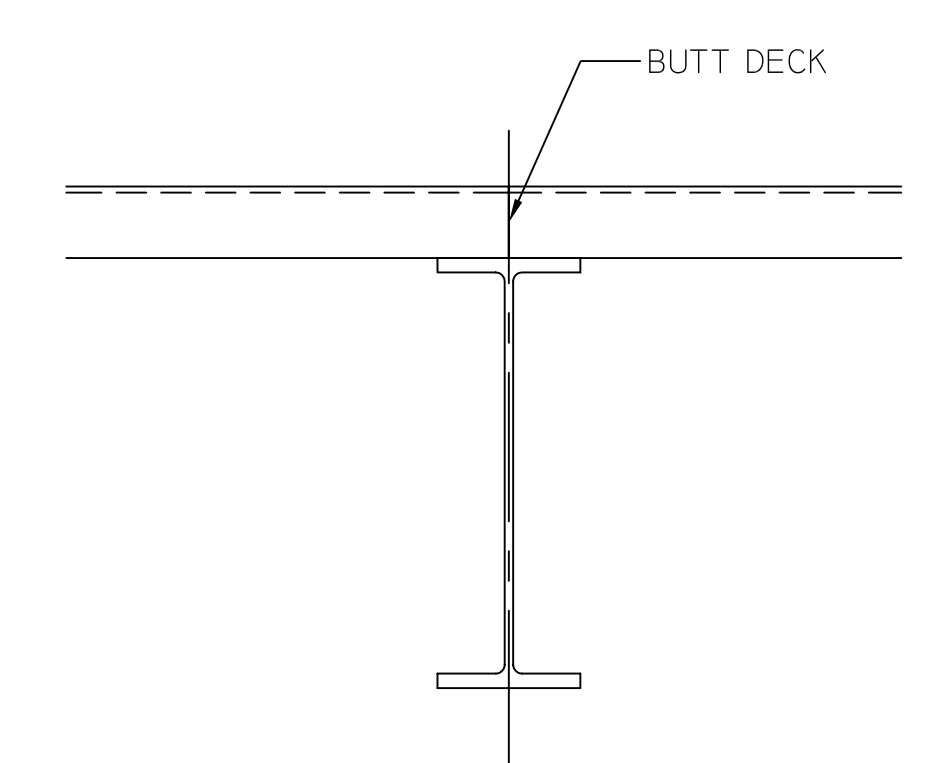
8
DI REF: 6/S7.4



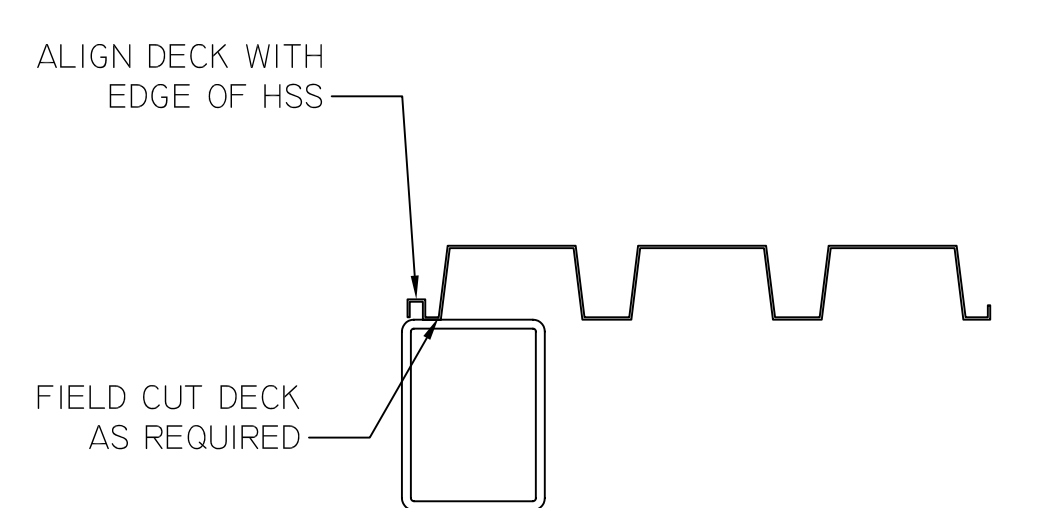
9
DI REF: 5/S7.4



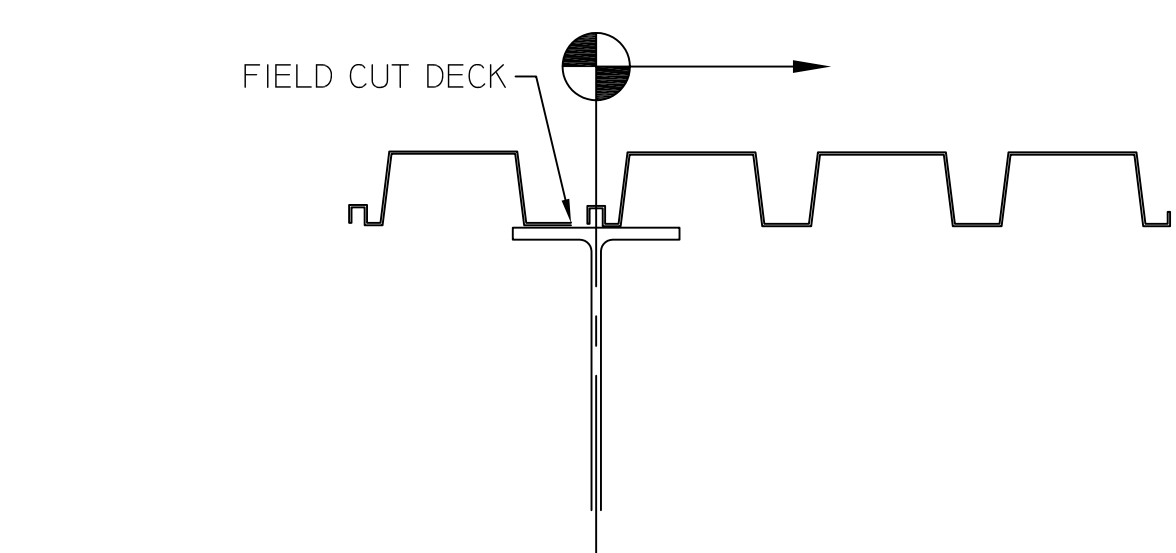
10
DI REF: 13/S7.4



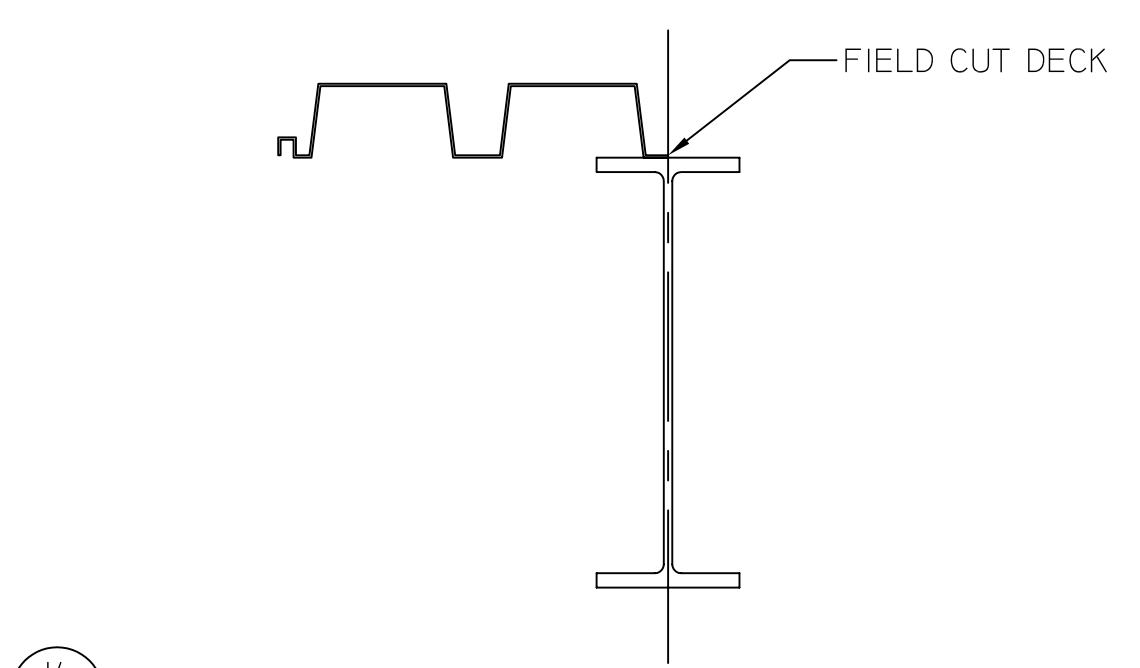
11
DI REF: NONE



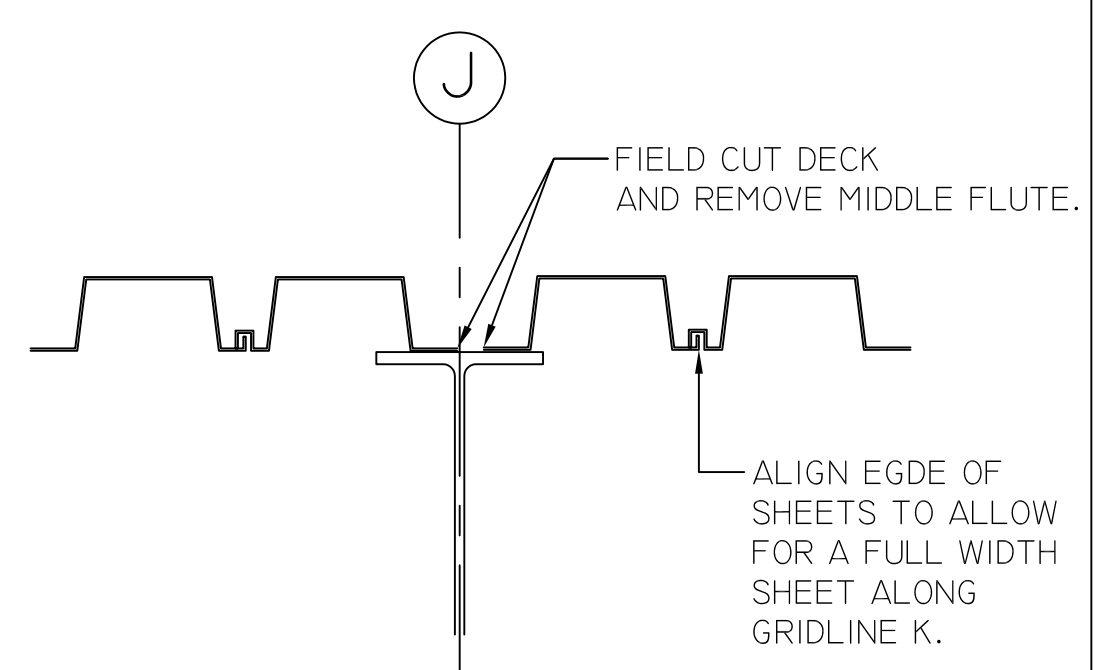
12
DI REF: 16/S7.2



13
DI REF: NONE



14
DI REF: NONE



15
DI REF: NONE

FACILITY MAINTENANCE CENTER-CANADA COLLEGE

DETAIL SHEET I

B.T. MANCINI CO., INC.
8765 MURPHY BLVD., MURFAS, CA (408) 942-7200

TITLE: FACILITY MAINT. CTR. CANADA COLLEGE	
JOB ADDRESS: 4200 FARM HILL BLVD REDWOOD CITY, CA 94061	
CONTRACTOR: JOHN PLANE CONSTRUCTION INC.	
JOB NO.: 04-2553	SCALE: NONE
DRAWN BY: CHRIS HOLLAND	DATE: 24 FEB 08
CHECKED BY: K.A./P.C.	DATE: XX XXX XX
SUBMITTED:	DATE:
APPROVED:	DATE: